



[www.lidl-service.com](http://www.lidl-service.com)



## COMPRESSOR PKO 500 A1

GB CY

### COMPRESSOR PKO 500 A1

Operation and Safety Notes  
Translation of original operation manual

RO

### COMPRESOR PKO 500 A1

Instrucțiuni de utilizare și de siguranță  
Traducerea instrucțiunilor de utilizare originale

GR CY

### ΑΕΡΟΣΥΜΠΙΕΣΤΗΣ PKO 500 A1

Υποδείξεις χειρισμού και ασφαλείας  
Μετάφραση των αυθεντικών οδηγιών λειτουργίας

HR

### KOMPRESOR PKO 500 A1

Upute za posluživanje i za Vašu sigurnost  
Prijevod originalnih uputa za uporabu

BG

### КОМПРЕСОР PKO 500 A1

Инструкции за обслужване и безопасност  
Превод на оригиналното ръководство за експлоатация

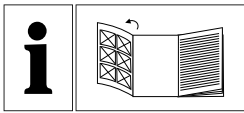
DE AT CH

### KOMPRESSOR PKO 500 A1

Bedienungs- und Sicherheitshinweise  
Originalbetriebsanleitung

IAN 292195

HR RO  
BG



GB CY

Before reading, unfold the page containing the illustrations and familiarise yourself with all functions of the device.

---

HR

Prije nego što pročitate tekst, otvorite stranicu sa slikama i upoznajte se na osnovu toga sa svim funkcijama uređaja.

---

RO

Înainte de a citi instrucțiunile, priviți imaginile și familiarizați-vă cu toate funcțiile aparatului.

---

BG

Преди да прочетете отворете страницата с фигурите и след това се запознайте с всички функции на уреда.

---

GR CY

Πριν ξεκινήσετε την ανάγνωση, ανοίξτε τη σελίδα με τις εικόνες και εξοικειωθείτε με όλες τις λειτουργίες της συσκευής.

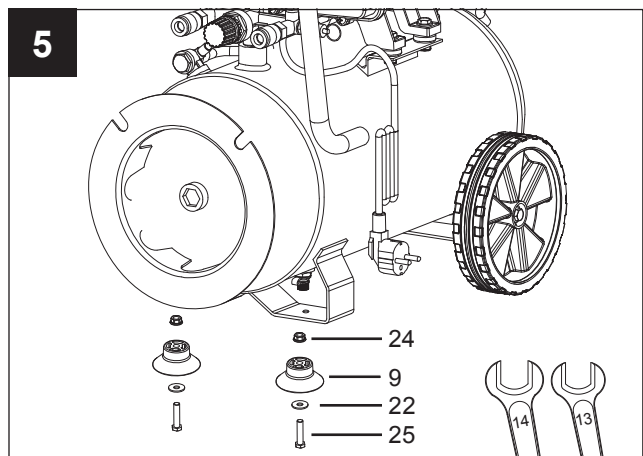
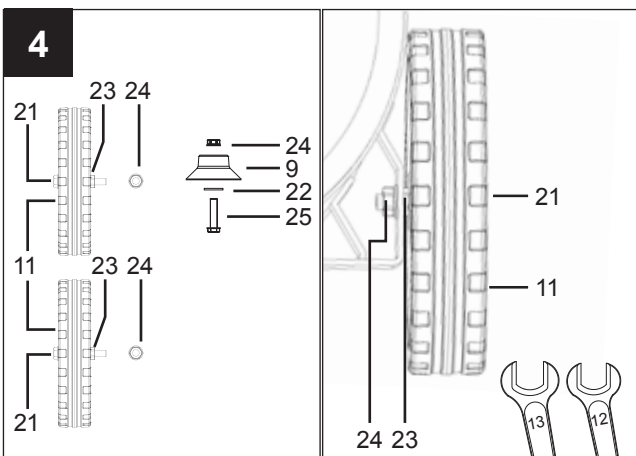
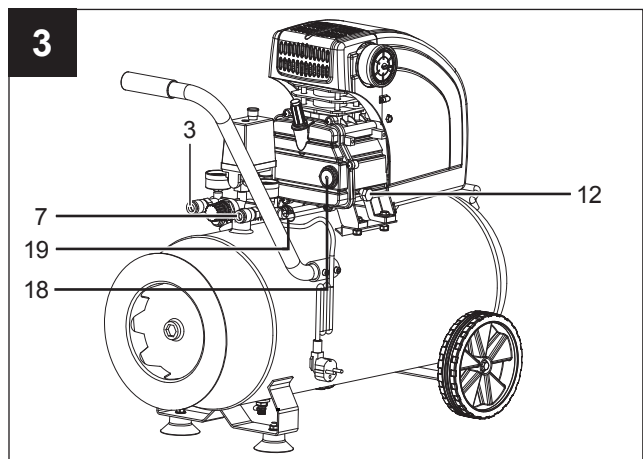
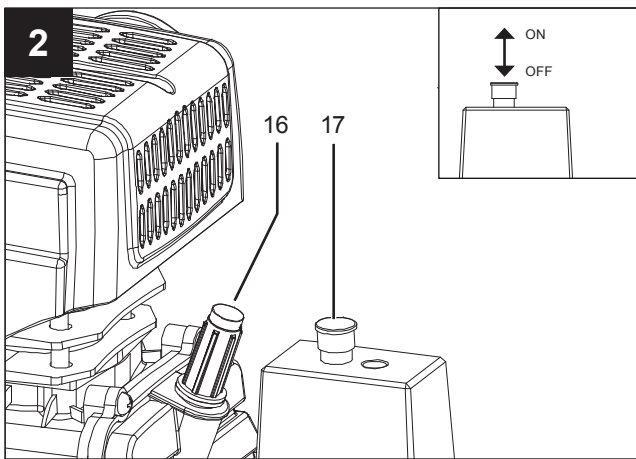
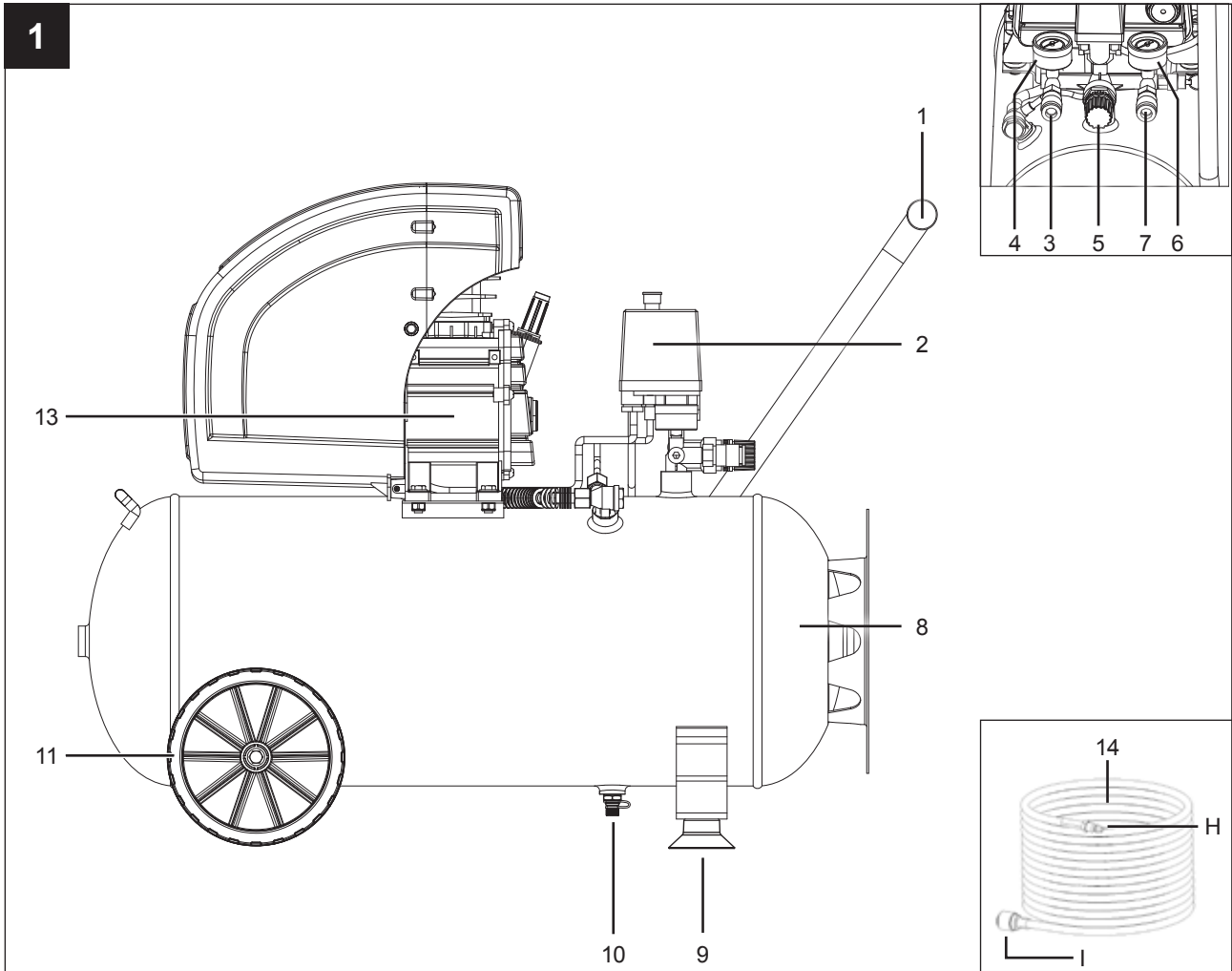
---

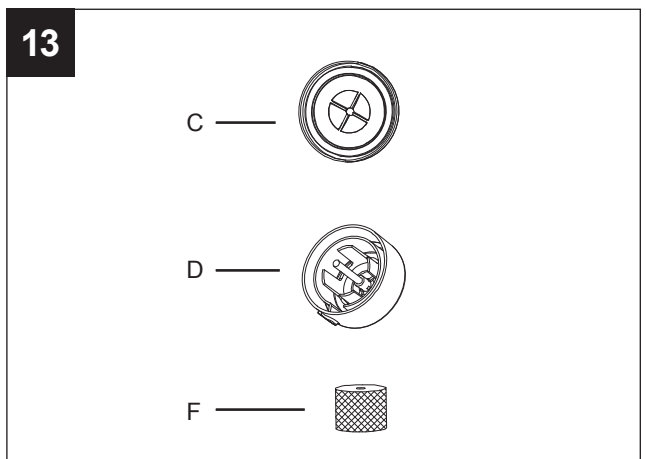
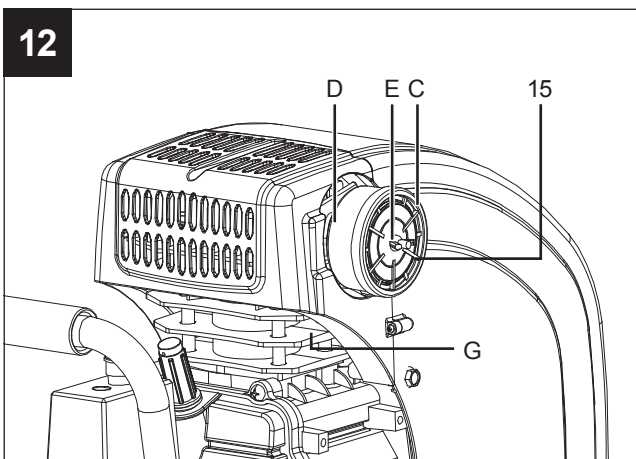
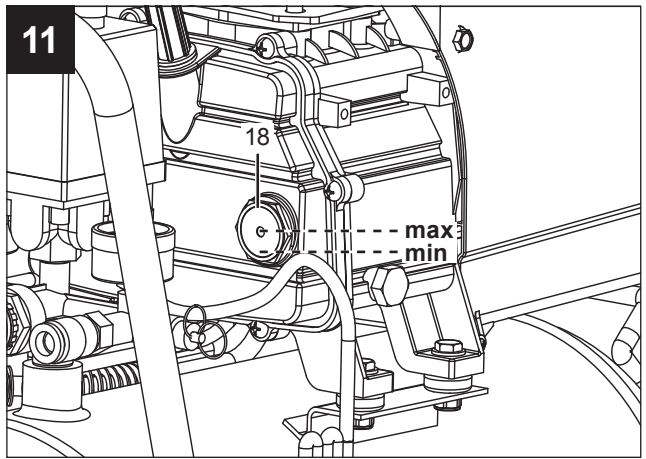
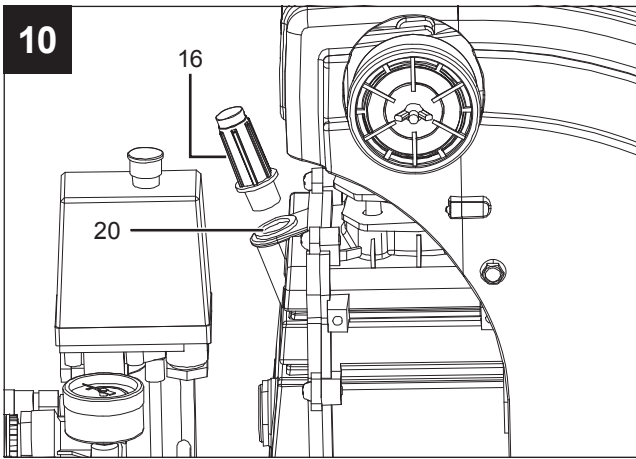
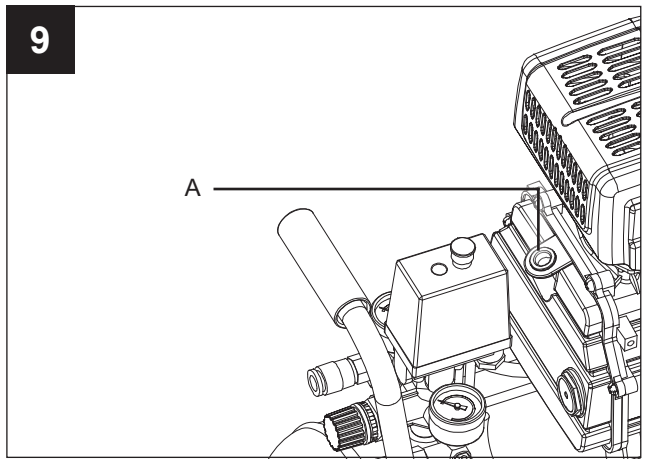
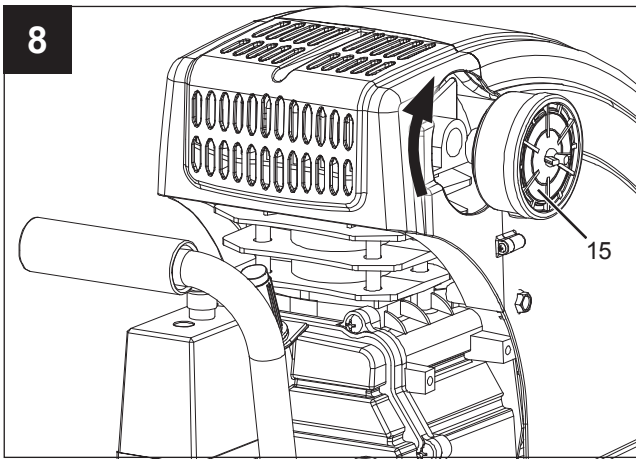
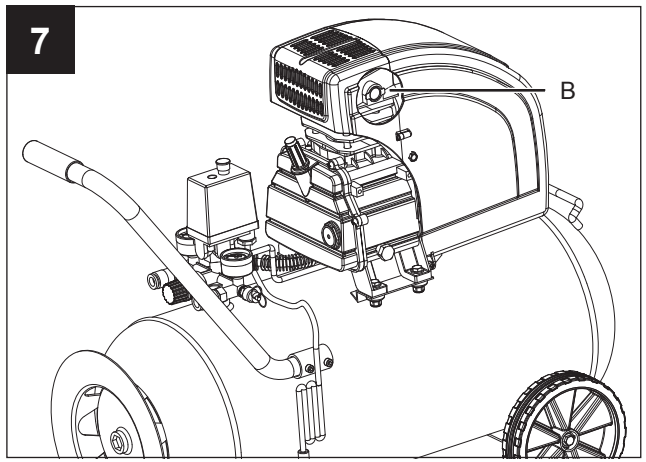
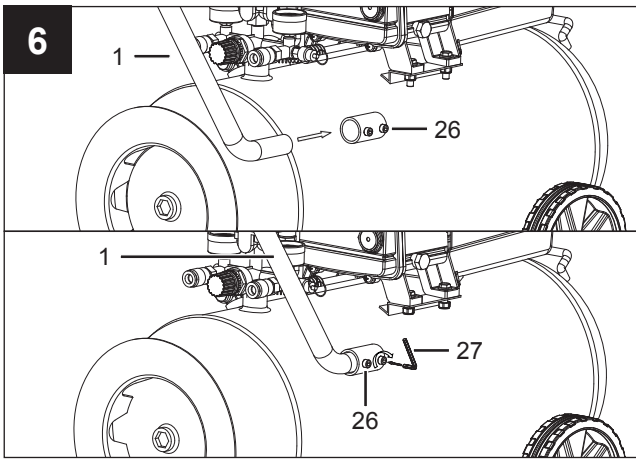
DE AT CH


Klappen Sie vor dem Lesen die Seite mit den Abbildungen aus und machen Sie sich anschließend mit allen Funktionen des Gerätes vertraut.


---


GB / CY	Operation and Safety Notes	Page	07
HR	Upute za posluživanje i za Vašu sigurnost	Stranica	15
RO	Instrucțiuni de utilizare și de siguranță	Pagina	23
BG	Инструкции за обслужване и безопасност	страница	32
GR / CY	Υποδείξεις χειρισμού και ασφαλείας	Σελίδα	42
DE / AT / CH	Bedienungs- und Sicherheitshinweise	Seite	52

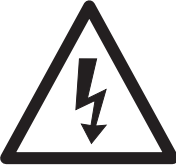






	(GB) (CY)	Read and follow the operating and safety instructions before you start working with this power tool.
	(HR)	Prije stavljanja u pogon pročitajte i poštuje priručnik za rukovanje i sigurnosne napomene!
	(RO)	Înainte de punerea în funcțiune citiți și țineți cont de manualul de utilizare și de indicațiile de securitate
	(BG)	Преди пускане в експлоатация прочетете и спазвайте ръководството за обслужване и указанията за безопасност!
	(GR) (CY)	Πριν θέσετε τη συσκευή σε λειτουργία, διαβάστε και τηρείτε τις οδηγίες χειρισμού και τις υποδείξεις ασφαλείας!
	(DE) (AT) (CH)	Vor Inbetriebnahme Bedienungsanleitung und Sicherheitshinweise lesen und beachten!

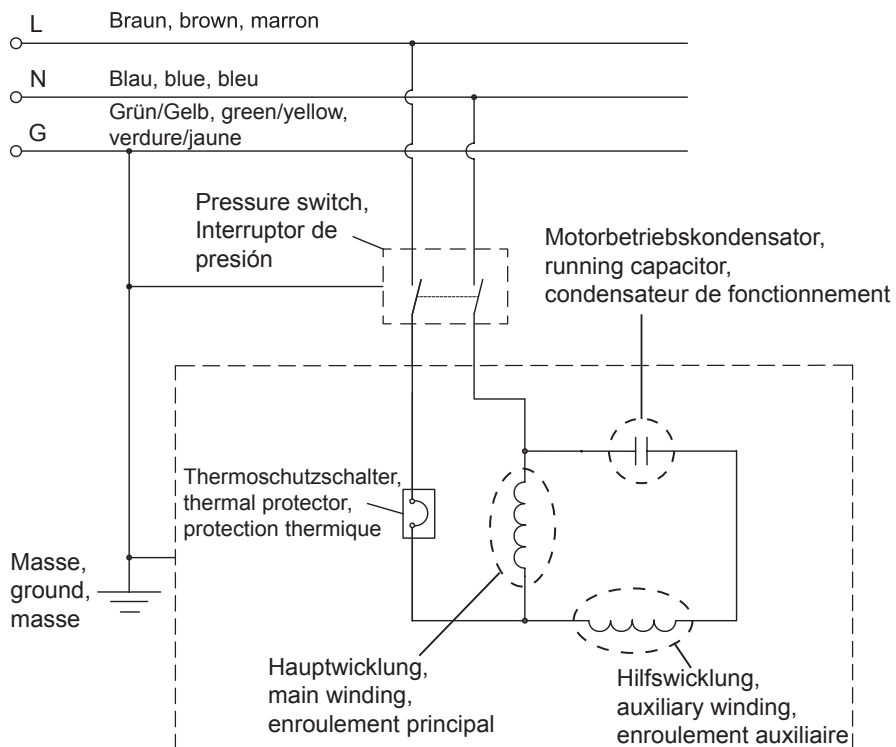
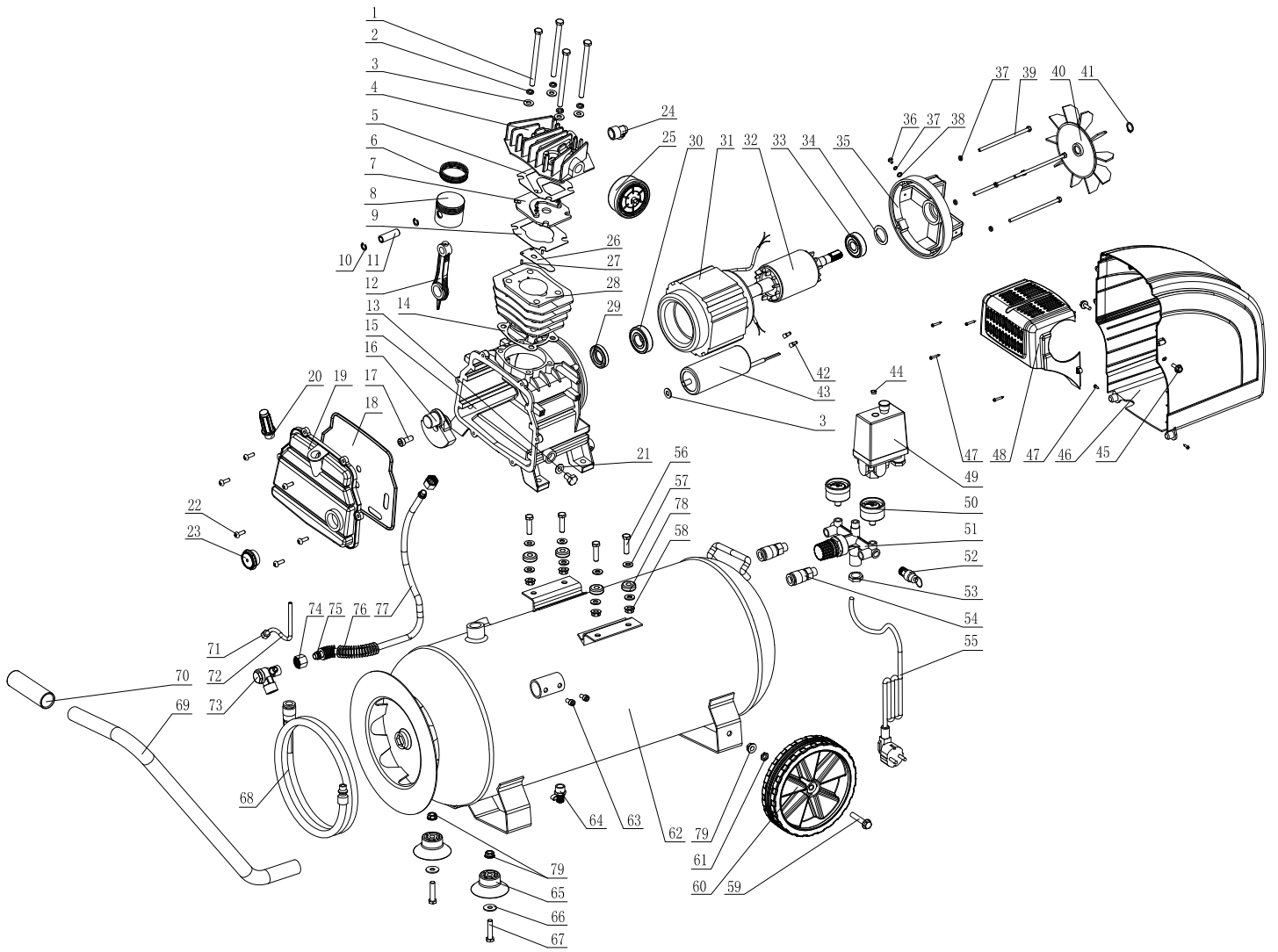
	(GB) (CY)	Wear ear-muffs. The impact of noise can cause damage to hearing.
	(HR)	Nosite zaštitu za sluh! Utjecaj buke može uzrokovati gubitak sluha.
	(RO)	Purtați căști anti-acustice! Impactul zgomotului poate provoca pierderea auzului.
	(BG)	Носете защита за слуха! Въздействието на шума може да причини загуба на слуха.
	(GR) (CY)	Να φοράτε προστασία ακοής! Οι επιπτώσεις του θορύβου μπορεί να προκαλέσει απώλεια ακοής.
	(DE) (AT) (CH)	Tragen Sie einen Gehörschutz. Die Einwirkung von Lärm kann Gehörverlust bewirken.

	(GB) (CY)	Beware of hot parts!	(G Fig.12)
	(HR)	Upozorenje vruće dijelove!	
	(RO)	Avertizare de piese fierbinți!	
	(BG)	Предупреждение на горещи части!	
	(GR) (CY)	Προειδοποίηση για ζεστά μέρη!	
	(DE) (AT) (CH)	Warnung vor heißen Teilen!	

	(GB) (CY)	Beware of electrical voltage!
	(HR)	Upozorenje električne energije
	(RO)	Avertizare de energie electrică
	(BG)	Предупреждение на електрическа енергия
	(GR) (CY)	Προειδοποίηση της ηλεκτρικής ενέργειας
	(DE) (AT) (CH)	Warnung vor elektrischer Spannung

	(GB) (CY)	Warning! The equipment is remote-controlled and may start-up without warning.
	(HR)	Upozorenje! Oprema je na daljinsko upravljanje, a mogu start-up bez upozorenja.
	(RO)	Avertizare! Echipamentul este controlat de la distanță și poate porniți fără avertisment.
	(BG)	Внимание! Оборудването е с дистанционно управление и може да започне действия без предупреждение.
	(GR) (CY)	Προειδοποίηση! Ο εξοπλισμός είναι τηλεκατευθυνόμενα και μπορούν εκκίνηση χωρίς προειδοποίηση.
	(DE) (AT) (CH)	Warnung! Die Einheit ist ferngesteuert und darf ohne Warnung anlaufen

	(GB) (CY)	Caution! Before using for the first time, check the oil level and replace the oil sealing plug!
	(HR)	Opresz! Prije uporabe po prvi put, provjerite razinu ulja i zamijeniti ulje čep!
	(RO)	Prudență! Înainte de a utiliza pentru prima dată, verificați nivelul uleiului și înlocuiți dopul de etanșare ulei!
	(BG)	Внимание! Преди да използвате за първи път, проверете нивото на маслото и поставете тапата масло запечатване!
	(GR) (CY)	Προσοχή! Πριν χρησιμοποιήσετε για πρώτη φορά, ελέγξτε τη στάθμη λαδιού και αντικαταστήστε το στεγανοποιητικό λαδιού!
	(DE) (AT) (CH)	Achtung! Vor Erstinbetriebnahme Ölstand überprüfen und Ölschlossstopfen austauschen!



<b>Table of contents:</b>	<b>Page:</b>
1. Introduction	8
2. Device description	8
3. Scope of delivery	8
4. Intended use	9
5. Safety information	9
6. Technical data	11
7. Before starting the equipment	11
8. Attachment and operation	11
9. Electrical connection	12
10. Cleaning, maintenance and storage	12
11. Disposal and recycling	13
12. Transport	13
13. Troubleshooting	13
14. Warranty certificate	14
15. Declaration of conformity	61

## 1. Introduction

### MANUFACTURER:

#### **scheppach**

Fabrikation von Holzbearbeitungsmaschine GmbH  
Günzburger Straße 69  
D-89335 Ichenhausen

### DEAR CUSTOMER,

we hope your new tool brings you much enjoyment and success.

### NOTE:

According to the applicable product liability laws, the manufacturer of the device does not assume liability for damages to the product or damages caused by the product that occurs due to:

- Improper handling,
- Non-compliance of the operating instructions,
- Repairs by third parties, not by authorized service technicians,
- Installation and replacement of non-original spare parts,
- Application other than specified,
- A breakdown of the electrical system that occurs due to the non-compliance of the electric regulations and local regulations.

### We recommend:

Read through the complete text in the operating instructions before installing and commissioning the device. The operating instructions are intended to help the user to become familiar with the machine and take advantage of its application possibilities in accordance with the recommendations. The operating instructions contain important information on how to operate the machine safely, professionally and economically, how to avoid danger, costly repairs, reduce downtimes and how to increase reliability and service life of the machine.

In addition to the safety regulations in the operating instructions, you have to meet the applicable regulations that apply for the operation of the machine in your country. Keep the operating instructions package with the machine at all times and store it in a plastic cover to protect it from dirt and moisture. Read the instruction manual each time before operating the machine and carefully follow its information. The machine can only be operated by persons who were instructed concerning the operation of the machine and who are informed about the associated dangers. The minimum age requirement must be complied with.

## 2. Device description (Fig. 1-13)

1. Transport handle
2. Pressure switch
3. Quick-lock coupling (regulated compressed air)
4. Pressure gauge (for reading the preset vessel pressure)
5. Pressure regulator
6. Pressure gauge (for reading the vessel pressure)
7. Quick-lock coupling (unregulated compressed air)
8. Pressure vessel
9. Supporting foot
10. Drain plug for condensation water
11. Wheel
12. Oil drain plug
13. Compressor pump
14. Compressed air hose
15. Air filter
16. Oil sealing plug
17. ON/OFF switch
18. Oil – level window
19. Safety valve
20. Oil filler opening
21. Flange screw
22. Washer
23. Nut
24. Flange nut
25. Screw
26. Allen Screw
27. Allen key 5 mm

## 3. Scope of delivery

- 1x Transport handle
- 1x Air filter
- 2x Supporting foot
- 2x Wheel
- 1x Oil sealing plug
- 1x Compressed air hose
- 1x Allen key 5 mm
- 1x Translation of Original Operating Manual

- Open the packaging and remove the device carefully.
- Remove the packaging material as well as the packaging and transport bracing (if available).
- Check that the delivery is complete.
- Check the device and accessory parts for transport damage.
- If possible, store the packaging until the warranty period has expired.

### ATTENTION

**The device and packaging materials are not toys! Children must not be allowed to play with plastic bags, film and small parts! There is a risk of swallowing and suffocation!**



## 4. Intended use

The compressor is designed to generate compressed air for compressed-air driven tools which can be driven with an air volume of up to approx. 260 l/min (e.g. tire inflator, blow-out pistol and paint spray gun). Due to the limited air output it is not possible to use the compressor to drive tools with very high air consumption (for example orbital sanders, die grinders and hammer screwdrivers).

The equipment is to be used only for its prescribed purpose. Any other use is deemed to be a case of misuse. The user / operator and not the manufacturer will be liable for any damage or injuries of any kind caused as a result of this.

Please note that our equipment has not been designed for use in commercial, trade or industrial applications. Our warranty will be voided if the equipment is used in commercial, trade or industrial businesses or for equivalent purposes.

## 5. Safety information

**⚠ Attention!** The following basic safety measures must be observed when using electric tools for protection against electric shock, and the risk of injury and fire. Read all these notices before using the electric tool and keep the safety instructions for later reference.

**⚠ Attention!** The following basic safety actions must be taken when using this compressor in order to protect the user from electric shocks and the risk of injury and fire. Read and follow these instructions before using the equipment.

### Safe work

- 1 Keep the work area orderly
  - Disorder in the work area can lead to accidents.
- 2 Take environmental influences into account
  - Do not expose electric tools to rain.
  - Do not use electric tools in a damp or wet environment. There is a risk of electric shock!
  - Make sure that the work area is well-illuminated.
  - Do not use electric tools where there is a risk of fire or explosion.
- 3 Protect yourself from electric shock
  - Avoid physical contact with earthed parts (e.g. pipes, radiators, electric ranges, cooling units).
- 4 Keep children away
  - Do not allow other persons to touch the equipment or cable, keep them away from your work area.
- 5 Securely store unused electric tools
  - Unused electric tools should be stored in a dry, elevated or closed location out of the reach of children.
- 6 Do not overload your electric tool
  - They work better and more safely in the specified output range.
- 7 Wear suitable clothing
  - Do not wear wide clothing or jewellery, which can become entangled in moving parts.

- Rubber gloves and non-slip shoes are recommended when working outdoors.
  - Tie long hair back in a hair net.
- 8 Do not use the cable for purposes for which it is not intended
    - Do not use the cable to pull the plug out of the outlet. Protect the cable from heat, oil and sharp edges.
  - 9 Take care of your tools
    - Keep your compressor clean in order to work well and safely.
    - Follow the maintenance instructions.
    - Check the connection cable of the electric tool regularly and have it replaced by a recognised specialist when damaged.
    - Check extension cables regularly and replace them when damaged.
  - 10 Pull the plug out of the outlet
    - During non-use of the electric tool or prior to maintenance and when replacing tools such as saw blades, bits, milling heads.
  - 11 Avoid inadvertent starting
    - Make sure that the switch is switched off when plugging the plug into an outlet.
  - 12 Use extension cables for outdoors
    - Only use approved and appropriately identified extension cables for use outdoors.
    - Only use cable reels in the unrolled state.
  - 13 Remain attentive
    - Pay attention to what you are doing. Remain sensible when working. Do not use the electric tool when you are distracted.
  - 14 Check the electric tool for potential damage
    - Protective devices and other parts must be carefully inspected to ensure that they are fault-free and function as intended prior to continued use of the electric tool.
    - Check whether the moving parts function faultlessly and do not jam or whether parts are damaged. All parts must be correctly mounted and all conditions must be fulfilled to ensure fault-free operation of the electric tool.
    - Damaged protective devices and parts must be properly repaired or replaced by a recognised workshop, insofar as nothing different is specified in the operating manual.
    - Damaged switches must be replaced at a customer service workshop.
    - Do not use any faulty or damaged connection cables.
    - Do not use any electric tool on which the switch cannot be switched on and off.
  - 15 Have your electric tool repaired by a qualified electrician
    - This electric tool conforms to the applicable safety regulations. Repairs may only be performed by an electrician using original spare parts. Otherwise accidents can occur.

## 16 Important!

- For your own safety you must only use the accessories and additional units listed in the operating instructions or recommended or specified by the manufacturer. The use of mounted tools or accessories other than those recommended in the operating instructions or catalogue may place your personal safety at risk.

## 17 Noise

- Wear ear muffs when you use the compressor.

## 18 Replacing the power cable

- To prevent hazards, leave the replacement of damaged power cables strictly to the manufacturer or a qualified electrician. There is a risk of electric shock!

## 19 Inflating tires

- Directly after inflating tires, check the pressure with a suitable pressure gauge, for example at your filling station.

## 20 Roadworthy compressors for building site operations

- Make sure that all lines and fittings are suitable for the maximum permissible operating pressure of the compressor.

## 21 Place of installation

- Set up the compressor on an even surface.

## 22 Supply hoses at pressures above 7 bar should be equipped with a safety cable (e.g. a wire rope).

## ADDITIONAL SAFETY INSTRUCTIONS

### Safety instructions for working with compressed air and blasting guns

- The compressor pump and lines can become very hot during operation. Touching these parts will burn you.
- The air which is sucked in by the compressor must be kept free of impurities that could cause fires or explosions in the compressor pump.
- When releasing the hose coupling, hold the hose coupling piece with your hand. This way, you can protect yourself against injury from the rebounding hose.
- Wear safety goggles when working with the blow-out pistol. Foreign bodies or blown off parts can easily cause injuries.
- Do not blow at people with the blow-out pistol and do not clean clothes while being worn. Risk of injury!

### Safety information for paint spraying

- Do not process any paints or solvents with a flash point below 55° C. There is a risk of explosion!
- Do not heat up paints or solvents. There is a risk of explosion!
- If hazardous liquids are processed, wear protective filter units (face guards). Also, adhere to the safety information provided by the manufacturers of such liquids.
- The details and designations of the Ordinance on Hazardous Substances, which are displayed on the outer packaging of the processed material, must be observed.
- Additional protective measures are to be undertaken if necessary, particularly the wearing of suitable clothing and masks.

- Do not smoke during the spraying process and/or in the work area. There is a risk of explosion! Paint vapors are easily combustible.
- Never set up or operate the equipment in the vicinity of a fire place, open lights or sparking machines.
- Do not store or eat food and drink in the work area. Paint vapors are harmful to your health.
- The work area must exceed 30 m<sup>3</sup> and sufficient ventilation must be ensured during spraying and drying. Do not spray against the wind. Always adhere to the regulations of the local police authority when spraying combustible or hazardous materials.
- Do not process media such as white spirit, butyl alcohol and methylene chloride with the PVC pressure hose. These media will destroy the pressure hose.

### Operating pressure vessels

- You must keep your pressure vessel in good working order, operate the vessel correctly, monitor the vessel, carry out necessary maintenance and repair work immediately and meet the relevant safety precautions.
- The supervisory authority may enforce essential control measures in individual cases.
- A pressure vessel is not allowed to be used if it has faults or deficiencies that can endanger workers or third parties.
- Check the pressure vessel for signs of rust and damage each time before using. Do not use the compressor with a damaged or rusty pressure vessel. If you discover any damage, then please contact the customer service workshop.

### Do not lose these safety instructions

#### Residual risk

Observe the specified maintenance and safety instructions in the instruction manual.

Always be attentive at work and keep third persons at a safe distance from your workplace.

Even with proper use of the device, a certain residual risk remains, which can not be excluded. The following potential hazards can be derived from the type and design of the device:

unintentional commissioning of the product.

Hearing loss if no suitable hearing protection is worn.

Wear safety glasses to prevent your eyes and face from dust and dirt particles.

Inhalation of whirled-up dust and dirt particles.

## 6. Technical data

Mains connection	220 - 240 V ~ 50Hz
Motor rating W	1800
Operating mode	S1
Compressor speed	2850 min <sup>-1</sup>
Pressure vessel capacity (in liters)	approx. 50
Operating pressure	approx. 10 bar
Theoretical intake capacity (l/min)	approx. 260
Sound power level L <sub>WA</sub>	97 dB(A)
Uncertainty K <sub>WA</sub>	2,22 dB
Protection type	IP20
Weight of the unit in kg	approx. 34
Oil (15W 40) l	approx. 0,4
Max. altitude (above mean sea level)	1000 m

The noise emission values were measured in accordance with EN ISO 3744:1995.

### Wear hearing protection.

The effects of noise can cause a loss of hearing.

## 7. Before starting the equipment

Before you connect the equipment to the mains supply make sure that the data on the rating plate are identical to the mains data.

- Check the equipment for damage which may have occurred in transit. Report any damage immediately to the transport company which was used to deliver the compressor.
- Install the compressor near the point of consumption.
- Avoid long air lines and supply lines (extension cables).
- Make sure that the intake air is dry and dustfree.
- Do not install the compressor in a damp or wet room.
- The compressor may only be used in suitable rooms (with good ventilation and an ambient temperature from +5 °C to 40 °C). There must be no dust, acids, vapors, explosive gases or inflammable gases in the room.
- The compressor is designed to be used in dry rooms. It is prohibited to use the compressor in areas where work is conducted with sprayed water.
- The oil level in the compressor pump has to be checked before putting the equipment into operation.

## 8. Attachment and operation

### ⚠ Important!

**You must fully assemble the appliance before using it for the first time!**

You will require the following tools for assembly and installation: Open-ended wrench size 12, 13 and 14 mm (not included)

### 8.1 Fitting the wheels (Fig. 4)

- Fit the supplied wheels as shown.

### 8.2 Fitting the supporting feet (Fig. 4,5)

- Fit the supplied supporting foot as shown.

### 8.3 Fitting the Transport handle(Fig. 6)

- Fit the supplied Transport handle as shown.

### 8.4 Fitting the air filter (Fig. 7,8)

- Remove the transportation stop (B) and screw the air filter (15) to the equipment.

### 8.5 Changing the transportation cover (A) (Fig. 9,10)

- Remove the transportation cover from the oil filter opening (20) and insert the supplied oil sealing plug (16) into the oil filler opening.

### 8.6 Mains connection

- The compressor is equipped with a mains cable with shock-proof plug. This can be connected to any 220 - 240 V~ 50 Hz shock-proof socket.
- Before you use the machine, make sure that the mains voltage is the same as the operating voltage (see the rating plate).
- Long supply cables, extensions, cable reels etc. cause a drop in voltage and can impede motor start-up.
- At low temperatures below +5°C, sluggishness may make starting difficult or impossible.

### 8.7 ON/OFF switch (Fig. 2)

- Pull the ON/OFF switch (17) upwards to switch on the compressor. To switch off the compressor, press the ON/OFF switch down.

### 8.8 Setting the pressure (Fig. 1,3)

- Use the pressure regulator (5) to set the pressure on the pressure gauge (4).
- The set pressure can be drawn from the quick lock coupling (3).
- The vessel pressure can be read off the pressure gauge (6).
- The vessel pressure is drawn from the quick lock coupling (7).

### 8.9 Setting the pressure switch (Fig. 1)

- The pressure switch (2) is set at the factory.  
Cut-in pressure approx. 8 bar  
Cut-out pressure approx. 10 bar.

### 8.10 Fitting the compressed air hose (Fig. 1, 3)

- Use the compressed air hose (14) if you intend to carry out work at a greater distance from the compressor. To do so, connect the nipple (H) on the compressed air hose to one of the quick release couplings (3, 7). Then attach the compressed air tool to the quick-release coupling (I) on the compressed air hose.

## 9. Electrical connection

**The electrical motor installed is connected and ready for operation. The connection complies with the applicable VDE and DIN provisions.**

**The customer's mains connection as well as the extension cable used must also comply with these regulations.**

### Important information

In the event of an overloading the motor will switch itself off. After a cool-down period (time varies) the motor can be switched back on again.

### Damaged electrical connection cable

The insulation on electrical connection cables is often damaged.

This may have the following causes:

- Passage points, where connection cables are passed through windows or doors.
- Kinks where the connection cable has been improperly fastened or routed.
- Places where the connection cables have been cut due to being driven over.
- Insulation damage due to being ripped out of the wall outlet.
- Cracks due to the insulation ageing.

Such damaged electrical connection cables must not be used and are life-threatening due to the insulation damage. Check the electrical connection cables for damage regularly. Make sure that the connection cable does not hang on the power network during the inspection.

Electrical connection cables must comply with the applicable VDE and DIN provisions. Only use connection cables with the marking „H05VV-F“.

The printing of the type designation on the connection cable is mandatory.

### AC motor

- The mains voltage must be 220 - 240 V~ 50 Hz.
- Extension cables up to 25 m long must have a cross-section of 1.5 mm<sup>2</sup>.

Connections and repairs of electrical equipment may only be carried out by an electrician.

Please provide the following information in the event of any enquiries:

- Type of current for the motor
- Machine data - type plate
- Machine data - type plate

## 10. Cleaning, maintenance, and storage

### ⚠ Important!

Pull out the power plug before doing any cleaning and maintenance work on the equipment. Risk of injury from electric shock!

### ⚠ Important!

Wait until the equipment has cooled down completely! Risk of burns!

### ⚠ Important!

Always depressurize the equipment before carrying out any cleaning and maintenance work! Risk of injury!

### 10.1 Cleaning

- Keep the equipment free of dirt and dust as far as possible. Wipe the equipment with a clean cloth or blow it down with compressed air at low pressure.
- We recommend that you clean the equipment immediately after you use it.
- Clean the equipment regularly with a damp cloth and some soft soap. Do not use cleaning agents or solvents; these may be aggressive to the plastic parts in the equipment. Ensure that no water can get into the interior of the equipment.
- You must disconnect the hose and any spraying tools from the compressor before cleaning. Do not clean the compressor with water, solvents or the like.

### 10.2 Maintenance work on the pressure vessel (Fig. 1)

**⚠ Important!** To ensure a long service life of the pressure vessel (8), drain off the condensed water by opening the drain valve (10) each time after using. Release the vessel pressure first (see 10.7.1). Open the drain screw by turning counter-clockwise (looking at the screw from the bottom of the compressor) so that all the condensed water can run out of the pressure vessel. Then close the drain screw again (turn it clockwise). Check the pressure vessel for signs of rust and damage each time before using. Do not use the compressor with a damaged or rusty pressure vessel. If you discover any damage, then please contact the customer service workshop.

### ⚠ Important!

**The condensed water from the pressure vessel will contain residual oil. Dispose of the condensed water in an environmentally compatible manner at a suitable collection point.**

### 10.3 Safety valve (Fig. 3)

The safety valve (19) has been set for the highest permitted pressure of the pressure vessel. It is prohibited to adjust the safety valve or remove its seal. Actuate the safety valve from time to time to ensure that it works when required. Pull the ring with sufficient force until you can hear the compressed air being released. Then release the ring again.

### 10.4 Checking the oil level at regular intervals (Fig. 11)

Place the compressor on a level and straight surface. The oil level must be between the MAX and MIN marks on the oil level window (Fig. 18).

Oil change: we recommend SAE 15W 40 or equivalent. The original oil filling must be changed after 100 hours in operation; thereafter the oil must be drained and replaced with new oil after every 500 hours in operation.

### 10.5 Changing the oil (Fig. 3, 10)

Switch off the engine and pull the mains plug out of the socket. Remove the oil sealing plug (16). After releasing any air pressure you can unscrew the oil drain plug (12) from the compressor pump (13).

To prevent the oil from running out in an uncontrolled manner, hold a small metal chute under the opening and collect the oil in a vessel. If the oil does not drain out completely, we recommend tilting the compressor slightly. When the oil has drained out, re-fit the oil drain plug (12).

**Dispose of the old oil at a drop-off point for old oil.**

To fill in the correct quantity of oil, make sure that the compressor stands on an even surface. Fill new oil through the oil filler opening (20) until it comes up to the maximum level. This is marked with a red dot on the oil level window (18) (Fig. 11). Do not exceed the maximum filling quantity. Overfilling the equipment may result in damage. Reinsert the oil sealing plug (16) into the oil filler opening (20).

**10.6 Cleaning the air filter (15) (Fig. 3, 12, 13)**

The air filter (15) prevents dust and dirt being drawn in. It is essential to clean this filter after at least every 300 hours in service. A clogged air filter will decrease the compressor's performance dramatically. Open the thumb screw (E) to the remove the air filter (15).

Then pull off the filter cover (C). Now you can remove the air filter insert (F). Carefully tap out the air filter insert, filter cover and filter housing. Then blow out these parts with compressed air (approx. 3 bar) and reinstall in reverse order.

**10.7 Storage**

**⚠ Important!**

**Pull out the mains plug and ventilate the equipment and all connected pneumatic tools.**

**Switch off the compressor and make sure that it is secured in such a way that it cannot be started up again by any unauthorized person.**

**12. Transport**

Use the handle to transport the compressor.

Observe the weight when lifting the compressor (see Technical Data).

When transporting the compressor in a motor vehicle, ensure good load securing.

**13. Troubleshooting**

Fault	Possible cause	Remedy
The compressor does not start.	<ul style="list-style-type: none"> <li>No supply voltage.</li> <li>Insufficient supply voltage.</li> <li>Outside temperature is too low.</li> <li>Motor is overheated.</li> </ul>	<ul style="list-style-type: none"> <li>Check the supply voltage, the power plug and the socket-outlet.</li> <li>Make sure that the extension cable is not too long. Use an extension cable with large enough wires.</li> <li>Never operate with an outside temperature of below +5° C.</li> <li>Allow the motor to cool down. If necessary, remedy the cause of the overheating.</li> </ul>
The compressor starts but there is no pressure.	<ul style="list-style-type: none"> <li>The non-return valve (19) leaks.</li> <li>The seals are damaged.</li> <li>The drain plug for condensation water (10) leaks.</li> </ul>	<ul style="list-style-type: none"> <li>Have a service center replace the non-return valve (19).</li> <li>Check the seals and have any damaged seals replaced by a service center.</li> <li>Tighten the screw by hand. Check the seal on the screw and replace if necessary.</li> </ul>
The compressor starts, pressure is shown on the pressure gauge, but the tools do not start.	<ul style="list-style-type: none"> <li>The hose connections have a leak.</li> <li>A quick-lock coupling has a leak.</li> <li>Insufficient pressure set on the pressure regulator (5).</li> </ul>	<ul style="list-style-type: none"> <li>Check the compressed air hose and tools and replace if necessary.</li> <li>Check the quick-lock coupling and replace if necessary.</li> <li>Increase the set pressure with the pressure regulator.</li> </ul>

**⚠ Important!**

**Store the compressor only in a dry location which is not accessible to unauthorized persons. Always store upright, never tilted! Oil may leak out!**

**10.7.1 Releasing excess pressure**

Release the excess pressure by switching off the compressor and using the compressed air which is still left in the pressure vessel, e.g. with a compressed air tool running in idle mode or with a blow-out pistol.

**11. Disposal and recycling**

The equipment is supplied in packaging to prevent it from being damaged in transit. The raw materials in this packaging can be reused or recycled. The equipment and its accessories are made of various types of material, such as metal and plastic. Defective components must be disposed of as special waste. Ask your dealer or your local council.



**The packaging is wholly composed of environmentally-friendly materials that can be disposed of at a local recycling centre.**

**Contact your local refuse disposal authority for more details of how to dispose of your worn out electrical devices.**

## 14. Warranty certificate

Dear Customer,

All of our products undergo strict quality checks to ensure that they reach you in perfect condition. In the unlikely event that your device develops a fault, please contact our service department at the address shown on this guarantee card. Of course, if you would prefer to call us then we are also happy to offer our assistance under the service number printed below. Please note the following terms under which guarantee claims can be made:

- These guarantee terms cover additional guarantee rights and do not affect your statutory warranty rights. We do not charge you for this guarantee.
- Our guarantee only covers problems caused by material or manufacturing defects, and it is restricted to the rectification of these defects or replacement of the device. Please note that our devices have not been designed for use in commercial, trade or industrial applications. Consequently, the guarantee is invalidated if the equipment is used in commercial, trade or industrial applications or for other equivalent activities. The following are also excluded from our guarantee: compensation for transport damage, damage caused by failure to comply with the installation/assembly instructions or damage caused by unprofessional installation, failure to comply with the operating instructions (e.g. connection to the wrong mains voltage or current type), misuse or inappropriate use (such as overloading of the device or use of non-approved tools or accessories), failure to comply with the maintenance and safety regulations, ingress of foreign bodies into the device (e.g. sand, stones or dust), effects of force or external influences (e.g. damage caused by the device being dropped) and normal wear resulting from proper operation of the device.

The guarantee is rendered null and void if any attempt is made to tamper with the device.

- The guarantee is valid for a period of 3 years starting from the purchase date of the device. Guarantee claims should be submitted before the end of the guarantee period within two weeks of the defect being noticed. No guarantee claims will be accepted after the end of the guarantee period. The original guarantee period remains applicable to the device even if repairs are carried out or parts are replaced. In such cases, the work performed or parts fitted will not result in an extension of the guarantee period, and no new guarantee will become active for the work performed or parts fitted. This also applies when an on-site service is used.
- In order to assert your guarantee claim, please send your defective device postage-free to the address shown below. Please enclose either the original or a copy of your sales receipt or another dated proof of purchase. Please keep your sales receipt in a safe place, as it is your proof of purchase. It would help us if you could describe the nature of the problem in as much detail as possible. If the defect is covered by our guarantee then your device will either be repaired immediately and returned to you, or we will send you a new device.

Of course, we are also happy offer a chargeable repair service for any defects which are not covered by the scope of this guarantee or for units which are no longer covered. To take advantage of this service, please send the device to our service address.

**Sadržaj:****Stranica:**

1. Uvod	16
2. Opis uređaja	16
3. Opseg isporuke	16
4. Namjena	17
5. Sigurnosne napomene	17
6. Tehnički podaci	19
7. Prije pokretanja opreme	19
8. Priključivanje i rad	19
9. Električni priključak	20
10. Čišćenje, održavanje i skladištenje	20
11. Entsorgung und Wiederverwertung	21
12. Prijevoz	21
13. Rješavanje problema	21
14. Jamstveni certifikat	22
15. Izjava o sukladnosti	61

## 1. Uvod

### PROIZVOĐAČ:

**scheppach**

Fabrikation von Holzbearbeitungsmaschinen GmbH  
Günzburger Straße 69  
D-89335 Ichenhausen

### POŠTOVANI KUPČE,

nadamo se da će vam novi alat donijeti mnogo užitaka i uspjeha.

### NAPOMENA:

Prema važećim zakonima o odgovornosti proizvođača, proizvođač uređaja ne snosi odgovornost za oštećenja proizvoda ili oštećenja nastala djelovanjem proizvoda, koja su posljedica:

- nepravilnog rukovanja,
- nepridržavanja uputa za rukovanje,
- popravaka izvedenih od trećih strana, a ne ovlaštenih tehničara servisa,
- ugradnje i zamjene neoriginalnih rezervnih dijelova,
- nepropisnog načina primjene,
- kvara električnog sustava do kojega je došlo zbog nepridržavanja električnih propisa i VDE propisa 0100, DIN 57113 / VDE0113.

#### ⚠ OPREZ ⚠

**UPOZORENJE: Mogućnost strujnog udara !**  
**Ne otvarati kućište proizvoda !**

### PREPORUČUJEMO:

Prije ugradnje i puštanja uređaja u rad, pročitajte cijeli tekst u uputama za rukovanje. Upute za rukovanje predviđene su za pomoć korisniku u upoznavanju sa strojem i njegovim korištenjem u primjenama koje su u skladnosti s preporukama. Upute za rukovanje sadrže važne informacije o sigurnom, profesionalnom i ekonomičnom korištenju stroja, o izbjegavanju opasnosti, skupih popravaka, smanjivanju vremena izvan pogona te o načinu povećanja pouzdanosti i radnog vijeka stroja.

Osim sigurnosnih propisa u uputama za rukovanje, morate se pridržavati i važećih propisa koji se odnose na rukovanje strojem u vašoj zemlji. Upute za rukovanje uvijek čuvajte uz stroj, spremite ih u plastične korice radi zaštite od prljavštine i vlage. Pročitajte priručnik s uputama svaki put prije rukovanja strojem i pažljivo postupajte prema uputama. Strojem smiju rukovati isključivo osobe koje su upoznate s radom stroja i opasnostima koje su vezane uz rad stroja. Moraju se poštovati zahtjevi o minimalnoj dobi korisnika.

## 2. Opis uređaja (slika. 1-13)

1. Ručka za transport
2. Tlačna sklopka
3. Brza spojka (regulirani komprimirani zrak)
4. Manometar (možete očitati podešeni tlak)
5. Regulator pritiska
6. Manometar (može se očitati tlak u kotlu)
7. Brza spojka (neregulirani komprimirani zrak)
8. Tlačna posuda
9. Nogar
10. Vijak za ispuštanje kondenzirane vode
11. Kotač
12. Vijak za ispuštanje ulja
13. Pumpa kompresora
14. Crijevo za komprimirani zrak
15. Filtar za zrak
16. Čep na otvoru za ulje
17. Sklopka za uključivanje/isključivanje
18. Kontrolno staklo za ulje
19. Sigurnosni ventil
20. Otvor za ulijevanje ulja
21. Prirubnica vijak
22. Perači
23. Matica
24. Prirubnica matica
25. Vijak
26. Imbus Vijak
27. Imbus ključem 5 mm

## 3. Opseg isporuke

- 1x Ručka za transport
- 1x Filtar za zrak
- 2x Vijak za ispuštanje kondenzirane vode
- 2x Kotač
- 1x Čep na otvoru za ulje
- 1x Crijevo za komprimirani zrak
- 1x Imbus ključem 5 mm
- 1x Upute za rad

- Pažljivo otvorite ambalažu i izvadite uređaj.
- Uklonite materijal ambalaže kao i ambalažne i transportne držače (ako postoje).
- Provjerite je li sadržaj pakiranja cjelovit.
- Provjerite postoje li oštećenja uređaja i pribora nastala prilikom transporta.
- Ambalažu po mogućnosti čuvajte do isteka jamstvenog razdoblja.

#### ⚠ POZOR

**Uređaj i materijal ambalaže nisu igračke! Djeca se ne smiju igrati plastičnim vrećicama, folijama i sitnim dijelovima! Postoji opasnost od njihova gutanja i gušenja!**



## 4. Namjena

Kompresor služi za stvaranje komprimiranog zraka za pneumatske alate koji se pogone količinom zraka od oko 260 l/min (npr. pumpe za gume, pištolji za ispuhivanje i pištolji za lakiranje). Zbog ograničene količine dovedenog zraka nije moguće pogoniti alate koji imaju vrlo veliku potrošnju zraka (npr. vibracijske brusilice, štapne brusilice i udarni odvijači).

Uređaj se smije koristiti samo za propisanu namjenu. Svaka druga uporaba smatrat će se neodgovarajućom. Za oštećenja ili ozljede bilo koje vrste nastale zbog takve neodgovarajuće uporabe odgovornim se smatra korisnik, a ne proizvođač.

Napominjemo da naša oprema nije proizvedena za komercijalnu, trgovačku ili industrijsku primjenu. Jamstvo neće biti valjano ako opremu koristite u komercijalne svrhe, za trgovačke ili industrijske poslovne djelatnosti ili u slične svrhe.

## 5. Sigurnosne napomene

**⚠ Pozor!** Prilikom uporabe električnog alata morate se pridržavati sljedećih osnovnih mjera sigurnosti radi zaštite od električnog udara i smanjenja rizika od ozljede i požara. Pročitajte sve obavijesti navedene u nastavku prije korištenja električnog alata i sačuvajte upute o sigurnosti za buduću uporabu.

**⚠ Pozor!** Prilikom korištenja kompresora treba se pridržavati sljedećih osnovnih sigurnosnih mjera za zaštitu od električnog udara, ozljeda i požara. Prije nego što počnete koristiti uređaj, pročitajte i pridržavajte se ovih napomena.

### Rad na siguran način

- 1 Radno područje održavajte urednim
  - Neuredno radno područje može uzrokovati nezgode.
- 2 Uzmite u obzir utjecaje iz okoline
  - Električni alat nemojte izlagati utjecaju kiše.
  - Električni alat nemojte koristiti u vlažnom ili mokrom okruženju. Postoji opasnost od električnog udara!
  - Pobrinite se da radno područje bude dovoljno osvijetljeno.
  - Električni alat nemojte koristiti ondje gdje postoji opasnost od požara ili eksplozije.
- 3 Zaštitite se od električnog udara
  - Izbjegavajte tjelesne dodire s uzemljenim dijelovima (npr. cijevima, radiatorima, električnim štednjacima, uređajima za hlađenje).
- 4 Udaljite djecu od mjesta rada
  - Ne dozvolite da druge osobe dodiruju opremu ili kabel, udaljite ih od radnog područja.
- 5 Na siguran način pohranite električni alat koji se ne koristi
  - Električni alat koji se ne koristi pohranite na suho, podignuto ili zatvoreno mjesto, izvan dohvata djece.

- 6 Ne preopterećujte električni alat
  - Alat radi bolje i sigurnije u propisanom rasponu opterećenja.
- 7 Nosite prikladnu odjeću
  - Nemojte nositi široku odjeću ili nakit jer ih mogu zahvatiti pokretni dijelovi.
  - Prilikom rada na otvorenom preporučuje se korištenje protuklizne obuće i gumenih rukavica.
  - Svežite dugu kosu u zaštitnu mrežu za kosu.
- 8 Nemojte koristiti kabel za svrhe za koje nije predviđen.
  - Nemojte izvlačiti kabel iz utičnice povlačeći ga za utikač. Kabel zaštitite od topline, ulja i oštih rubova.
- 9 Vodite brigu o alatu
  - Održavajte kompresor čistim kako bi radio ispravno i sigurno.
  - Pridržavajte se uputa za održavanje.
  - Redovito provjeravajte priključni kabel električnog alata i u slučaju oštećenja, odnesite ga stručnoj osobi radi zamjene.
  - Redovito pregledavajte produžne kablove i zamijenite ih u slučaju oštećenja.
- 10 Izvucite utikač iz utičnice
  - Kada ne koristite električni alat ili prije održavanja i prilikom zamjene nastavaka kao što su listovi pile, svrdla, glave za glodanje
- 11 Izbjegavajte nehotično pokretanje
  - Pobrinite se da sklopka bude isključena prilikom priključenja utikača u utičnicu.
- 12 Upotrebljavajte produžne kablove za vanjsku uporabu
  - Za uporabu na otvorenom koristite samo atestirane i propisno označene kablove.
  - Kablove na kolutu koristite samo kada su odmotani.
- 13 Budite pažljivi
  - Budite usredotočeni na ono što radite. Pri radu postupajte s osjećajem. Nemojte koristiti električni alat ako niste usredotočeni.
- 14 Provjerite je li električni alat oštećen
  - Prije kontinuirane uporabe električnog alata pažljivo pregledajte zaštitne uređaje i ostale dijelove kako biste se uvjerali da nisu neispravni te da rade na predviđeni način.
  - Provjerite rade li pokretni dijelovi rade bez greške i da nisu zaglavljani ili oštećeni. Kako biste osigurali rad električnog alata bez kvarova, svi dijelovi moraju biti propisno montirani i svi uvjeti ispunjeni.
  - Oštećeni zaštitni uređaji i dijelovi moraju se popraviti ili zamijeniti na odgovarajući način u ovlaštenoj radionici, ako nije drukčije određeno u priručniku za rukovanje.
  - Oštećene sklopke moraju se zamijeniti u servisnoj radionici za korisnike.
  - Nemojte koristiti pokvarene ili oštećene kablove za spajanje.
  - Nemojte koristiti električni alat na kojemu se ne može uključiti i isključiti sklopka.

- 15** Onesite električni alat na popravak kvalificiranoj osobi.
- Ovaj električni alat zadovoljava važeće sigurnosne propise. Popravke smije izvoditi samo električar koji koristi originalne rezervne dijelove. U protivnom može doći do nezgode.
- 16** Pozor!
- Za Vašu vlastitu sigurnost koristite samo pribor i dodatne uređaje koji su navedeni u uputama za uporabu ili ih je preporučio i naveo proizvođač alata. Korištenje drugačijeg alata ili pribora od onog koji se preporuča u uputama za uporabu ili katalogu može za Vas predstavljati opasnost od ozljeđivanja.
- 17** Buka
- Prilikom korištenja kompresora nosite zaštitu za sluh.
- 18** Zamjena priključnog kabela
- Ako je priključni kabel oštećen, mora ga zamijeniti proizvođač ili njegova servisna električarska služba kako bi se izbjegle opasnosti. Opasnost od strujnog udara!
- 19** Pumpanje guma
- Neposredno nakon pumpanja guma prikladnim manometrom, npr. na benzinskoj crpki, provjerite tlak u gumama.
- 20** Pokretni građevinski kompresori
- Pazite na to da su crijeva i armature prikladni za najviše radne tlakove kompresora.
- 21** Mjesto postavljanja
- Postavite kompresor samo na ravnu površinu.
- 22** Dovodna crijeva kod tlakova većih od 7 bara trebala bi imati sigurnosni kabel (npr. žičanu sajlju).

## DODATNE SIGURNOSNE UPUTE

### Sigurnosne napomene za rad s komprimiranim zrakom i pištoljima za ispuhavanje

- Pumpa kompresora i kabeli postižu tijekom rada visoke temperature. Dodirivanje tih dijelova može uzrokovati opekotine.
- Zrak koji usisava kompresor ne smije sadržavati primjese koje u pumpi kompresora mogu dovesti do požara ili eksplozija.
- Kod odvajanja spojke spojni dio crijeva čvrsto držite rukom. Na taj način izbjeći ćete ozljeđivanja zbog povratnog trzaja crijeva.
- Kod radova s pištoljem za ispuhavanje nosite zaštitne naočale. Strana tijela i dijelovi koje ispuše pištolj lako mogu uzrokovati ozljede.
- Pištolj za ispuhavanje ne usmjeravajte u osobe niti odjeću na tijelu. Opasnost od ozljeđivanja!

### Sigurnosne napomene u vezi prskanja boje

- Ne obrađujte lakove ili otopine s plamištem nižim od 55° C. Opasnost od eksplozije!
- Ne zagrijavajte lakove i otapala. Opasnost od eksplozije!

- Ako obrađujete tekućine opasne po zdravlje, za zaštitu su Vam potrebni su uređaji s filtrom (maske za lice). Također obratite pozornost na podatke proizvođača takvih materijala u vezi mjera zaštite.
- Treba se pridržavati podataka navedenih na vanjskoj ambalaži materijala koji se obrađuju kao i oznaka propisa o opasnim materijalima. Po potrebi treba provesti mjere zaštite I naročito nositi prikladnu odjeću i maske.
- Ne smije se pušiti tijekom postupka prskanja kao ni u radnoj prostoriji. Opasnost od eksplozije! Pare boje također su lako zapaljive.
- U blizini se ne smiju nalaziti ni koristiti otvoreni plamen, svjetlo ili strojevi koji stvaraju iskre.
- Ne čuvajte i ne konzumirajte hranu i pića u radnoj prostoriji. Pare boje štetne su za zdravlje.
- Radna prostorija mora biti veća od 30 m<sup>3</sup> i mora imati dostatnu ventilaciju prilikom prskanja i sušenja.
- Ne prskajte prema vjetru. U načelu se prilikom raspršivanja zapaljivih odnosno opasnih materijala treba pridržavati odredbi lokalnih organa policije.
- Prilikom korištenja PVC tlačnih cijevi ne obrađujte medije kao što je probni benzin, butilalkohol i metilenklorid. Takvi mediji uništavaju tlačno crijevo.

### Rad tlačnih posuda

- Osoba koja rukuje tlačnom posudom treba je držati u propisnom stanju, koristiti je u skladu s propisima i nadzirati, neodgodivo poduzeti potrebne radove održavanja i popravaka I poduzeti potrebne sigurnosne mjere.
- U pojedinačnim slučajevima nadzorni organi mogu zahtijevati mjere kontrole.
- Tlačna posuda ne smije se koristiti ako je primijećen nedostatak koji bi mogao ugroziti zaposlenog ili treću osobu.
- Prije svake uporabe provjerite tlačnu posudu na hrđu i oštećenja. Kompresor se ne smije koristiti s oštećenom ili zahrđalom tlačnom posudom. Ako primijetite oštećenja, obratite se servisnoj radionici.

### Dobro spremite ove sigurnosne napomene.

### Rezidualni rizik

Poštujte navedene upute za održavanje i sigurnost u uputama.

Uvijek biti pažljiv na poslu i zadržati treće osobe na sigurnoj udaljenosti od vašeg radnog mjesta.

Čak i uz pravilnu uporabu uređaja, određeni preostali rizik ostaje, što se ne može isključiti. Slijedeći potencijalni rizici mogu biti izvedeni iz vrste i oblika uređaja:

nenamjerno puštanje proizvoda.

Gubitak sluha, ako se nosi bez prikladne zaštite sluha.

Nosite zaštitne naočale kako bi se spriječilo vaše oči i lice od prašine i prljavštine čestica.

Udisanje okrenula prema gore prašine i prljavštine čestica.

## 6. Tehnički podaci

Mrežni priključak	220 - 240 V ~ 50Hz
Snaga motora W	1800
Vrsta pogona	S1
Broj okretaja kompresora	2850 min <sup>-1</sup>
Kapacitet tlačne posude (u litrama)	oko 50
Pogonski tlak	oko 10 bar
Teoretska usisna snaga l/min	oko 260
Razina zvučnog tlaka L <sub>WA</sub>	97 dB(A)
Nesigurnost K <sub>WA</sub>	2,22 dB
Vrsta zaštite	IP20
Težina uređaja u kg	oko 34
Ulje (15W 40) l	oko 0,4
Maksimalna visina (iznad razine mora)	1000 m

Vrijednosti emisije buke određene su prema EN ISO 3744:1995.

### Nosite zaštitu za sluh.

Učinci buke mogu dovesti do gubitka sluha.

## 7. Prije pokretanja opreme

Prije uključivanja provjerite odgovaraju li podaci na tipskoj pločici podacima o mreži.

- Provjerite ima li na uređaju transportnih oštećenja. Eventualne štete odmah dojavite transportnom poduzeću koje je dopremilo kompresor.
- Postavljanje kompresora trebalo bi se obaviti u blizini potrošača.
- Duge vodove za zrak i el. energiju (produžni kabeli) treba izbjegavati.
- Treba koristiti suhi usisni zrak bez prašine.
- Kompresor ne postavljajte u vlažnim ili mokrim prostorijama.
- Kompresor se smije koristiti samo u prikladnim prostorijama (dobro prozračenima, s temp. okoline +5 °C do 40 °C). U prostoriji se ne smije nalaziti prašina, kiseline, pare, eksplozivni ili zapaljivi plinovi.
- Kompresor je prikladan za korištenje u suhim prostorijama. U područjima u kojima se radi s prskajućom vodom uporaba kompresora nije dopuštena.
- Prije puštanja u rad mora se provjeriti razina ulja u pumpi kompresora.

## 8. Priključivanje i rad

### ⚠ Pozor!

**Prije puštanja u rad obavezno montirajte kompletan uređaj!**

Za montažu trebate: 1 x viljuškasti ključ 12 mm, 13 mm, 14 mm (nema ga u sadržaju isporuke)

### 8.1 Montaža kotača (slika 4)

- Montirajte priložene kotače kao što je prikazano na slici.

### 8.2 Montaža nogara (slika 4,5)

- Montirajte priložene nogare kao što je prikazano na slici.

### 8.3 Montaža Ručka za transport (slika 6)

- Montirajte priložene Ručka za transport kao što je prikazano na slici.

### 8.4 Montaža filtra za zrak (slika 7,8)

- Uklonite transportne čepove (B) i čvrsto navrnite zračni filter (15) na uređaj.

### 8.5 Zamjena transportnog poklopca (A) (slika 9,10)

- Pomoću odvijača uklonite poklopac za transport na otvoru za punjenje ulja (20) i priloženi čep (16) utaknite u otvor za punjenje ulja.

### 8.6 Mrežni priključak

- Kompresor je opremljen mrežnim vodom s utikačem sa zaštitnim kontaktom. Može se priključiti na svaku utičnicu sa zaštitnim kontaktom 220-240V ~ 50 Hz koja je osigurana sa 16 A.
- Prije puštanja u pogon provjerite odgovara li napon strujne mreže radnom naponu navedenom na pločici stroja.
- Dugački dovodni kao i produžni kabeli, koluti za kabele itd. mogu uzrokovati pad napona i spriječiti pokretanje motora.
- Kod temperatura nižih od +5 °C zbog teške pokretljivosti ugroženo je pokretanje motora.

### 8.7 Sklopka za uključivanje/isključivanje (slika 2)

- Za uključivanje kompresora povucite sklopku (17) prema gore. Za isključivanje čete sklopku za uključivanje/isključivanje pritisnuti dolje.

### 8.8 Podešavanje tlaka: (slika 1,3)

- Pomoću regulatora tlaka (5) može se podesiti tlak na manometru (4).
- Podešeni tlak može se smanjiti na brznoj spojki (3).
- Na manometru (6) može se očitati tlak kotla.
- Tlak kotla može se smanjiti na brznoj spojki (7).

### 8.9 Podešavanje tlačne sklopke (slika 1)

- Tlačna sklopka (2) podešena je tvornički. Tlak uključivanja oko 8 bara Tlak isključivanja oko 10 bara

### 8.10 Montaža tlačnog crijeva (slika 1,3)

- Za radove na velikim udaljenostima od kompresora može se koristiti tlačno crijevo (14). Za to priključite utičnu nazuvicu (H) tlačnog crijeva na jednu od brzih spojki (3, 7). Zatim priključite pneumatski alat na brzu spojku (I) tlačnog crijeva.

## 9. Električni priključak

Ugrađeni elektromotor spojen je i pripremljen za rad. Priključak je sukladan odredbama važećih standarda VDE i DIN.

Korisnički mrežni priključak i produžni kabel također moraju zadovoljavati sljedeće propise.

### Važne napomene

Ako se motor preoptereći, automatski će se isključiti. Nakon hlađenja (vremenski se razlikuje) motor će se moći ponovno uključiti.

### Oštećeni električni priključni kabel.

Izolacija na električnim priključnim kablovima često se oštećuje.

Uzroci mogu biti sljedeći:

- Mjesta prolaza na kojima kablovi prolaze kroz prozore ili vrata.
- Prijelomi na kojima je priključni kabel nepropisno stegnut ili položen.
- Mjesta na kojima su kablovi za povezivanje presječeni zbog prelaska kotača preko njih.
- Oštećenje izolacije zbog čupanja iz zidne utičnice.
- Pukotine u izolaciji zbog starenja.

Tako oštećeni električni priključni kablovi ne smiju se upotrebljavati i zbog oštećenja izolacije predstavljaju opasnost po život.

Redovito provjeravajte da na priključnim kablovima nema oštećenja. Pobrinite se da priključni kabel za vrijeme provjere ne bude priključen na električnu mrežu.

Električni priključni kablovi moraju biti sukladni važećim VDE i DIN odredbama. Koristite samo priključne kablove s oznakom „H05VV-F“.

Otisnuta oznaka vrste na priključnom kabelu obvezna je.

### Izmjenični motor

- Napon mrežnog napajanja mora iznositi približno 220 - 240 V~.
- Produžni kablovi duljine do 25 m moraju imati poprečni presjek od 1,5 mm<sup>2</sup>.

Spajanje i popravke električne opreme smije izvoditi samo električar.

Dostavite sljedeće informacije u slučaju da imate upita:

- Vrsta struje motora
- Podaci o stroju – nazivna pločica
- Podaci o stroju – nazivna pločica

## 10. Čišćenje, održavanje i skladištenje

### ⚠ Pozor!

Prije svih radova čišćenja i održavanja izvucite mrežni utikač! Opasnost od ozljeđivanja strujnim udarom!

### ⚠ Pozor!

Pričekajte da se uređaj potpuno ohladi! Opasnost od opekotina!

### ⚠ Pozor!

Rastlačite uređaj prije svakog čišćenja i održavanja. Opasnost od ozljeđivanja!

### 10.1 Čišćenje

- Uređaj uvijek očistite od prašine i ostalih nečistoća. Istrljajte uređaj čistom krpom ili ga ispušite komprimiranim zrakom pod niskim tlakom.
- Preporučujemo da očistite uređaj odmah nakon svake uporabe.
- Redovito čistite uređaj mokrom krpom i s malo kalijevog sapuna. Ne koristite otapala ili sredstva za čišćenje; ona bi mogli oštetiti plastične dijelove uređaja. Pri pazite na to da u unutrašnjost uređaja ne dospije voda.
- Prije čišćenja kompresora morate odvojiti crijevo i alate za prskanje. Kompresor se ne smije čistiti vodom, otapalima i sličnim.

### 10.2 Održavanje tlačne posude (slika 1)

**Pozor!** Za postojanu trajnost tlačne posude (8) treba se nakon svakog njezinog rada otvaranjem vijka (10) ispustiti kondenzirana voda. Prije toga rastlačite kotao (v. 10.7.1). Vijak za ispuštanje otvara se okretanjem u smjeru suprotnom od kazaljke na satu (gledano s donje strane kompresora prema vijku), na taj način kondenzirana voda može u potpunosti isteći iz tlačne posude. Nakon toga ponovno uvrnite vijak za ispuštanje (okretanjem u smjeru kazaljke na satu). Prije svake uporabe prekontrolirajte tlačnu posudu na hrđu i oštećenja. Kompresor se ne smije koristiti s oštećenom ili zahrđalom tlačnom posudom. Ako primijetite oštećenja, obratite se servisnoj radionici.

### ⚠ Pozor!

**Kondenzirana voda iz tlačne posude sadrži ostatke ulja. Zbrinite je na odgovarajućim sabiralištima na ekološki prikladan način.**

### 10.3 Sigurnosni ventil (slika 3)

Sigurnosni ventil (19) podešen je na maksimalno dopušteni tlak tlačne posude. Sigurnosni ventil ne smije se korigirati niti se smije ukloniti njegova plomba. Da bi sigurnosni ventil u slučaju potrebe ispravno funkcionirao, mora se povremeno aktivirati. Snažno povucite za prsten tako da komprimirani zrak čujno izađe. Zatim ponovno pustite prsten.

### 10.4 Redovito kontrolirajte razinu ulja (slika 11)

Kompresor stavite na ravnu, vodoravnu površinu. Razina ulja mora se nalaziti između oznake MAX i MIN na kontrolnom staklu (18). Zamjena ulja: Preporučeno ulje: SAE 15W 40 ili iste kvalitete. Prva zamjena ulja mora se obaviti nakon 100 sati rada; zatim svakih 500 sati rada.

### 10.5 Zamjena ulja (slika 3, 10)

Isključite motor i izvucite mrežni utikač. Uklonite ulje čep (16). Kad ste ispustili eventualno prisutan komprimirani zrak, možete odvrnuti vijak za ispuštanje ulja (12) na pumpi kompresora (13). Da ulje ne bi nekontrolirano istjecalo, stavite ispod otvora mali limeni žljebić i sakupite ulje u posudu. Ako ulje ne isteče u potpunosti, malo nagnite kompresor. Kad ulje isteče, ponovno umetnite vijak u otvor za ispuštanje ulja (12).

**Staro ulje zbrinite na odgovarajućem sabirnom mjestu.**

Da biste napunili točnu količinu ulja, pazite na to da kompresor uvijek bude na ravnoj površini. Napunite novo ulje kroz otvor (20) tako da se postigne maksimalna količina. Ona je označena crvenom točkom na kontrolnom staklu za ulje (18) (slika 11). Ne prekoračujte maksimalnu količinu punjenja. Previše ulja može uzrokovati oštećenja uređaja. Ponovno stavite čep (16) u otvor za punjenje ulja (20).

### 10.6 Čišćenje filtera za zrak (15) (slika 3, 12, 13)

Filter za zrak (15) sprječava usisavanje prašine i nečistoća. Taj filter treba čistiti najmanje svakih 300 sati rada. Začepljen filter za zrak znatno smanjuje snagu kompresora. Uklonite filter za zrak (15) tako da odvrnete krilati vijak (E). Skinite zatim poklopac filtra (C). Sad možete izvaditi filter za zrak (F). Pažljivo istresite filter, njegov poklopac i kućište. Ti sastavni dijelovi moraju se zatim ispuhati komprimiranim zrakom (oko 3 bara) i ponovno montirati obrnutim redoslijedom.

### 10.7 Skladištenje

#### ⚠ Pozor!

Izvučite mrežni utikač, odzračite uređaj i sve priključene pneumatske alate. Odložite i spremite kompresor tako da ga ne mogu koristiti neovlaštene osobe.

#### ⚠ Pozor!

Kompresor čuvajte samo u suhoj okolini, na mjestu nedostupnom neovlaštenim osobama. Ne prevrćite ga, spremite ga samo u uspravnom položaju! Ulje može isteći!

## 12. Prijevoz

Koristite ručicu za prijevoz kompresora.

Obratite pozornost na težinu prilikom dizanja kompresora (vidi tehničke podatke).

Pri transportu kompresora u motornom vozilu, osigurati dobru za osiguranje tereta.

## 13. Rješavanje problema

Greška	Mogući uzroci	Rješenje
Kompresor ne radi.	<ul style="list-style-type: none"> <li>Nema napona.</li> <li>Premali mrežni napon.</li> <li>Preniska vanjska temperatura</li> <li>Motor pregrijan</li> </ul>	<ul style="list-style-type: none"> <li>Provjerite kabel, mrežni utikač, osigurač i utičnicu.</li> <li>Izbjegavajte predugačke produžne kabele. Koristite produžne kabele s dostatnim presjekom žice.</li> <li>Ne koristite na vanjskim temperaturama nižim od +5 °C.</li> <li>Ostavite motor da se ohladi, po potrebi uklonite uzrok pregrijavanja.</li> </ul>
Kompresor radi ali nema tlaka.	<ul style="list-style-type: none"> <li>Povratni ventil (19) propušta.</li> <li>Neispravne brtve.</li> <li>Vijak za ispuštanje kondenzirane vode (10) ne brtvi.</li> </ul>	<ul style="list-style-type: none"> <li>Zamijenite povratni ventil (19).</li> <li>Provjeriti brtve, neispravne brtve treba zamijeniti kvalificirana osoba.</li> <li>Rukom pritegnite vijak. Provjerite i po potrebi zamijenite brtvu na vijku.</li> </ul>
Kompresor radi, na manometru je prikazan tlak, ali alati ipak ne rade.	<ul style="list-style-type: none"> <li>Propuštanje na spojevima crijeva.</li> <li>Propuštanje na brznoj spojci.</li> <li>Podešen premali tlak na regulatoru (5).</li> </ul>	<ul style="list-style-type: none"> <li>Provjeriti tlačno crijevo i alate, po potrebi ih treba zamijeniti.</li> <li>Provjeriti i po potrebi zamijeniti brzu spojku.</li> <li>Još okrenuti regulator tlaka.</li> </ul>

### 10.7.1 Ispuštanje nadtlaka

Nadtlak ispuštate iz kompresora tako da isključite kompresor i potrošite preostali komprimirani zrak u tlačnoj posudi, npr. alatom na komprimirani zrak u praznom hodu ili pištoljem za ispuhavanje.

## 11. Zbrinjavanje i recikliranje

Oprema se isporučuje u ambalaži kako bi se onemogućilo njezino oštećenje tijekom transporta. Sirovine sadržane u ovoj ambalaži mogu se ponovno koristiti i reciklirati. Oprema i dodatni pribor izrađeni su od različitih vrsta materijala, kao što su metal i plastika. Oštećeni dijelovi moraju se zbrinuti kao posebna vrsta otpada. Savjetujte se s prodavačem ili lokalnim tijelom vlasti.



Pakiranje u potpunosti se sastoji od ekološki prihvatljivih materijala koji se može odložiti na lokalnoj reciklažnog centra.

Obratite se svom lokalnom odlaganje otpada ovlasti za više detalja o tome kako raspologati svojim dotrajalih električnih uređaja.

## 14. Jamstveni certifikat

Poštovani kupci,

Naši proizvodi podliježu strogoj kontroli kvalitete. Ako unatoč tome ovaj uređaj ne funkcionira ispravno, vrlo nam je žao zbog toga i molimo vas da se obratite na adresu navedenu na ovoj jamstvenoj kartici. Rado ćemo vam pomoći i telefonski na dolje navedeni telefonski broj servisne službe. Za ostvarivanje jamstvenih zahtjeva vrijedi sljedeće:

- Ovi jamstveni uvjeti reguliraju dodatne jamstvene usluge. Ovo jamstvo ne umanjuje vaše zakonske jamstvene zahtjeve. Naše jamstvene uslugu za vas su besplatne.
- Jamstvo obuhvaća isključivo nedostatke u materijalu ili proizvodnji i ograničene su na otklanjanje tih nedostataka ili na zamjenu uređaja. Imajte na umu da naši uređaji namjenski nisu konstruirani za gospodarsku, obrtničku ili industrijsku uporabu. Jamstveni ugovor stoga prestaje vrijediti ako se uređaj rabi u gospodarskim, obrtničkim ili industrijskim pogonima te za srodne postupke. Naše jamstvo nadalje ne obuhvaća kompenzacije za transportne štete, štete nastale nepoštivanjem priručnika za montažu ili neispravnom montažom, nepoštivanjem priručnika za uporabu (npr. priključivanjem na pogrešan napon ili na pogrešnu jakost struje), zlouporabom ili pogrešnom uporabom (npr. preopterećivanjem uređaja ili uporabom nedopuštenih montažnih alata ili pribora), nepoštivanjem propisa za održavanje i sigurnost, prodiranjem stranih tijela u uređaj (npr. pijeska, kamenja ili prašine), primjenom sile ili vanjskim utjecajima (npr. štete zbog pada s visine) te uobičajenim habanjem koje nastaje tijekom uporabe.

Jamstveni zahtjevi prestaju vrijediti ako se na uređaju poduzmu neodobreni zahvati.

- Jamstveno razdoblje traje 3 godine i započinje s datumom kupnje uređaja. Jamstvene zahtjeve valja uputiti najkasnije dva tjedna prije isteka jamstvenog razdoblja nakon otkrivanja nedostataka. Ostvarivanje jamstvenih zahtjeva nakon isteka jamstvenog razdoblja je isključeno. Popravak ili zamjena uređaja neće produžiti jamstveno razdoblje niti će aktivirati novo jamstveno razdoblje zbog takve usluge za uređaj ili za eventualno montirane rezervne dijelove. To vrijedi i pri uporabi usluga na licu mjesta.
- Radi ostvarivanja jamstvenog zahtjeva pošaljite neispravan uređaj o svom trošku na dolje navedenu adresu. Priložite original blagajničkog računa ili neki drugi sličan dokaz o kupnji. Zbog toga spremite blagajnički račun kao dokaz na sigurno mjesto! Što točnije opišite razlog reklamacije. Ako je nedostatak uređaja obuhvaćen našim jamstvom, odmah ćete dobiti natrag popravljen ili nov uređaj.

Naravno da ćemo nedostatke uređaja koji nisu obuhvaćeni jamstvom ili za koje je jamstvo isteklo rado otkloniti uz naknadu troškova. U tu svrhu pošaljite uređaj našem servisnoj službi.

### Usluga-Adresa:

VAR-ERCO d.o.o.  
Stipana Vilova 14A  
10090 Zagreb / Croatia

### Usluga-Hotline:

+800 4003 4003  
(0,00 €/Min.)

### Usluga-Email (HR):

service.HR@schepach.com

**Cuprins:**

1. Introducere	24
2. Descrierea dispozitivului	24
3. Conținutul livrării	24
4. Utilizarea preconizată	25
5. Informații privind protecția muncii	25
6. Date tehnice	27
7. Înainte de a porni echipamentul	27
8. Atașarea și operarea	27
9. Conexiunea electrică	28
10. Curățarea, întreținerea și depozitarea	28
11. Dezafectarea și reciclarea	29
12. Transportul	29
13. Depanarea	30
14. Certificatul de garanție	31
15. Declarație de conformitate	61

**Pagină:**

## 1. Introducere

### FABRICANT:

**scheppach**

Fabrikation von Holzbearbeitungsmaschinen GmbH  
Günzburger Straße 69  
D-89335 Ichenhausen

### STIMATE CLIENT,

sperăm ca noua dvs. unealtă să vă facă plăcere și să vă aducă succes.

### NOTĂ:

În conformitate cu legile în vigoare legate de răspunderea privind produsele, fabricantul dispozitivului nu își asumă nicio responsabilitate pentru daunele aduse produsului sau daunele care survin în următoarele condiții:

- Manevrare necorespunzătoare,
- Nerespectarea instrucțiunilor de operare,
- Reparații efectuate de terți, nu de tehnicieni de service autorizați,
- Instalarea și înlocuirea pieselor de schimb cu altele neoriginale,
- Alte aplicații decât cele specificate,
- O avarie a sistemului electric survenită datorită nerespectării reglementărilor privind energia electrică și a reglementărilor VDE 0100, DIN 57113 / VDE0113.

### SE RECOMANDĂ:

Să citiți în întregime textul privind instrucțiunile de operare înainte de instalării și punerii în exploatare a dispozitivului. Instrucțiunile de operare sunt destinate să ajute utilizatorul să devină familiar cu mașina și să beneficieze de utilizarea acesteia în conformitate cu recomandările. Instrucțiunile de operare conțin informații importante despre modul de operare a mașinii în siguranță, profesional și economic, despre modul de a evita pericolele și reparațiile costisitoare, de a reduce perioadele de întrerupere și despre modul de îmbunătățire a fiabilității și a duratei de viață a mașinii.

În plus față de normele de protecție a muncii din instrucțiunile de operare, trebuie să respectați reglementările în vigoare pentru operarea mașinii în țara dvs. Păstrați permanent împreună cu mașina documentația care conține instrucțiunile de operare și depozitați-o într-o învelitoare din plastic pentru a o feri de praf și umezeală. Citiți manualul de instrucțiuni de fiecare dată înainte de a acționa mașina și respectați cu strictețe informațiile pe care le conține. La mașină pot opera numai persoanele care au fost instruite în privința operării mașinii și care sunt informați despre pericolele asociate. Trebuie respectată cerința minimă de vârstă.

## 2. Descrierea dispozitivului (fig. 1-13)

1. Mâner de transport
2. Presostat
3. Cuplaj rapid (presiune a aerului reglată)
4. Manometru (presiunea setată poate fi citită)
5. Regulator de presiune
6. Manometru (presiunea din recipient poate fi citită)
7. Cuplaj rapid (presiune a aerului comprimat nereglată)
8. Recipient sub presiune
9. Picior suport
10. Șurub de scurgere a apei de condens
11. Roată
12. Șurub de evacuare al uleiului
13. Cameră de compresiune
14. Furtun de aer comprimat
15. Filtru de aer
16. Dop de închidere ulei
17. Comutator pornit/oprit
18. Vizor pentru ulei
19. Ventil de siguranță
20. Orificiu de introducere al uleiului
21. Șurub flanșă
22. Șaibe
23. Piuliță
24. Piuliță flanșă
25. Șurub
26. Șurub Imbus
27. Cheie imbus 5 mm

## 3. Conținutul livrării

- 1x Mâner de transport
- 1x Filtru de aer
- 2x Șurub de scurgere pentru apa de condens
- 2x Roată
- 1x Dop de închidere ulei
- 1x Furtun de aer comprimat
- 1x Cheie imbus 5 mm
- 1x Instrucțiuni de utilizare

- Desfaceți ambalajul și scoateți cu atenție dispozitivul.
- Îndepărtați materialul de ambalare, precum și chingile de ambalare și transport (dacă sunt disponibile).
- Verificați dacă sunt conținute toate componentele.
- Verificați dacă dispozitivul și accesoriile nu au fost deteriorate la transport.
- Dacă este posibil, depozitați ambalajul până la expirarea perioadei de garanție.

### ⚠ ATENȚIE

**Dispozitivul și materialele de ambalare nu sunt jucării! Copiilor nu trebuie să li se permită să se joace cu pungile de plastic, cu folia și cu componentele mici! Există pericolul de înghițire și sufocare!**



## 4. Utilizarea preconizată

Compresorul servește la producerea de aer comprimat pentru sculele cu acționare pneumatică, care pot fi utilizate cu un volum de aer de cca. 260 l/min. (de ex. aparat de încărcat cauciucuri, pistol de suflărie și pistol de lăcuit). Având în vedere debitul de aer limitat, nu este posibilă exploatarea sculelor care au un consum de aer foarte ridicat (de ex. mașina de șlefuit cu ax oscilant, șlefuitorul pneumatic axial și mașina de înșurubat cu percuție).

Echipamentul urmează să fie utilizat numai în scopul specificat. Orice altă utilizare se consideră a fi un caz de utilizare incorectă. Utilizatorul/operatorul, nu fabricantul, va fi răspunzător de toate daunele sau vătămările corporale de orice fel rezultate în urma utilizării incorecte.

Rețineți că echipamentul nostru nu a fost conceput pentru utilizarea în aplicații comerciale, profesionale sau industriale. Garanția va fi anulată dacă echipamentul este utilizat în activități comerciale, profesionale sau industriale sau în scopuri echivalente.

## 5. Informații privind protecția muncii

**⚠ Atenție!** La utilizarea sculelor electrice, trebuie respectate următoarele măsuri elementare de protecție a muncii, pentru protecția împotriva electrocutării, vătămării corporale și incendiului. Citiți toate aceste atenționări înainte de utilizarea sculei electrice și păstrați instrucțiunile de protecție a muncii pentru consultare ulterioară.

**⚠ Atenție!** La utilizarea acestui compresor, pentru protecția împotriva electrocutării precum și a pericolului de accidentare și de incendiu trebuie respectate următoarele măsuri de siguranță de bază. Citiți și respectați aceste indicații înainte de a utiliza aparatul.

### Lucrul în siguranță

- 1 Mențineți în ordine zona de lucru
  - Dezordinea în zona de lucru poate conduce la accidente.
- 2 Țineți cont de influențele mediului înconjurător
  - Nu expuneți sculele electrice la ploaie.
  - Nu utilizați sculele electrice într-un mediu umed. Pericol de electrocutare!
  - Aveți grijă ca zona de lucru să fie bine iluminată.
  - Nu utilizați scule electrice în locuri în care există pericol de incendiu sau de explozie.
- 3 Protejați-vă împotriva electrocutării
  - Evitați contactul fizic cu componentele împământate (de exemplu, țevi, radiatoare, mașini electrice de gătit, unități de răcire).
- 4 Țineți copiii la distanță
  - Nu permiteți altor persoane să atingă echipamentul sau cablul, țineți-le la distanță de zona de lucru.

- 5 Depozitați în siguranță sculele electrice pe care nu le utilizați
  - Sculele electrice neutilizate trebuie să fie depozitate într-o locație uscată, situată la înălțime sau încuiată, care să nu fie la îndemâna copiilor.
- 6 Nu suprasolicitați sculele electrice
  - Acestea funcționează mai bine și în mai multă siguranță în parametrii de ieșire specificați.
- 7 Purtați îmbrăcăminte adecvată
  - Nu purtați haine largi sau bijuterii, care pot fi prinse în componentele mobile.
  - La lucrul în exterior, este recomandat să purtați mănuși și încălțăminte care nu alunecă.
  - Părul lung trebuie prins cu o plasă pentru păr.
- 8 Nu utilizați cablul în alte scopuri decât cel destinat
  - Nu trageți de cablu pentru a scoate ștecherul din priză. Protejați cablul de căldură, petrol și margini ascuțite.
- 9 Aveți grijă de scule
  - Păstrați compresorul curat pentru a funcționa bine și în siguranță.
  - Respectați instrucțiunile de întreținere.
  - Verificați regulat cablul de conectare al sculei electrice și dacă este deteriorat apălați la un specialist autorizat pentru înlocuire.
  - Verificați regulat cablurile prelungitoare și înlocuiți-le dacă sunt deteriorate.
- 10 Scoateți ștecherul din priză
  - În timpul utilizării sculei electrice sau înainte de întreținere și la înlocuirea de scule precum lame de ferăstrău, tăișuri de scule așchietoare, capete de frezat.
- 11 Evitați pornirea accidentală
  - Aveți grijă ca la introducerea în priză comutatorul să fie pe poziția oprit.
- 12 Utilizați cabluri prelungitoare pentru lucrul în exterior
  - Pentru utilizarea în exterior, utilizați numai cabluri prelungitoare aprobate și identificate în mod corespunzător.
  - Utilizați numai tamburi de cablu în starea derulat.
- 13 Rămâneți concentrat
  - Acordați atenție la ceea ce faceți. Rămâneți atent atunci când lucrați. Nu utilizați scula electrică atunci când sunteți distras.
- 14 Verificați scula electrică pentru eventualele deteriorări
  - Înainte de a utiliza în continuare a scula electrică, dispozitivele de protecție și alte piese trebuie inspectate cu atenție pentru a avea siguranța că nu prezintă defecte și că funcționează corespunzător.
  - Verificați dacă componentele mobile funcționează ireproșabil și nu se blochează sau dacă componentele sunt deteriorate. Toate componentele trebuie să fie montate corect și trebuie îndeplinite toate condițiile pentru a asigura funcționarea corespunzătoare a sculei electrice.
  - Dispozitivele de protecție și componentele deteriorate trebuie reparate corespunzător sau înlocuite la un atelier autorizat, în măsura în care nu există alte specificații în manualul de operare.

- Comutatoarele deteriorate trebuie înlocuite la un atelier de service pentru clienți.
  - Nu utilizați cabluri de conectare defecte sau deteriorate.
  - Nu utilizați nicio sculă electrică la care comutatorul nu poate fi cuplat pe pozițiile pornit și oprit.
- 15** Reparațiile sculei electrice trebuie efectuate de un electrician calificat
- Această sculă electrică este în conformitate cu normele în vigoare de protecție a muncii. Reparațiile pot fi efectuate numai de către un electrician care să utilizeze piese de schimb originale. În caz contrar, pot surveni accidente.
- 16** Atenție!
- Pentru siguranța Dvs. utilizați accesorii și aparate suplimentare care sunt indicate în instrucțiunile de folosire sau care sunt recomandate sau precizate de către producător. Utilizarea altor scule atașabile sau accesorii decât cele recomandate în instrucțiunile de folosire sau în catalog poate reprezenta pentru Dvs. un pericol de accidentare.
- 17** Zgomotul
- În cazul utilizării compresorului purtați protecție antifonică.
- 18** Schimbarea cablului de racord
- Atunci când cablul de racord este deteriorat, acesta trebuie schimbat de către producător sau de către un electrician calificat, pentru a evita expunerea la pericole. Pericol prin electrocutare!
- 19** Umplerea roților
- Verificați imediat după umplere presiunea din roți cu un manometru adecvat, de ex. la o stație de benzină.
- 20** Compresoarele admise în circulație pentru funcționarea pe șantiere
- Țineți cont, ca toate furtunurile și armăturile să fie adecvate pentru presiunea de lucru maximă admisă a compresorului.
- 21** Locul de amplasare
- Amplasați compresorul numai pe o suprafață plană.
- 22** La presiuni mai ridicate de 7 bari furtunurile de alimentare trebuie prevăzute cu un cablu de siguranță (de ex. cablu din oțel).

## INSTRUCȚIUNI SUPLIMENTARE DE PROTECȚIE A MUNCII

### Indicații de siguranță pentru lucrul cu aer comprimat și pistoale de suflare

- Camera de compresiune și furtunurile pot atinge temperaturi mari în timpul funcționării. Atingerea acestora poate provoca arsuri.
- Aerul aspirat de compresor trebuie să fie lipsit de impurități, care ar putea provoca incendii sau explozii în camera de compresiune.
- La decuplarea cuplajului automat, țineți bine cu mâna piesa de cuplare a furtunului. Astfel evitați accidentarea datorită reculului furtunului sub presiune.

- În timpul lucrului cu pistolul de suflare purtați ochelari de protecție. Prin corpuri străine și piese azvarlite prin suflare pot fi provocate cu ușurință vătămări corporale.
- Nu suflați cu pistolul de suflare spre alte persoane și nu curățați hainele care le purtați. Pericol de accidentare!

### Indicații de siguranță pentru stropirea vopselelor

- Nu prelucrați lacuri sau solvenți cu un punct de inflamare sub 55 °C. Pericol de explozie!
- Nu încălziți lacurile și solvenții. Pericol de explozie!
- În cazul prelucrării de lichide dăunătoare sănătății, sunt necesare filtre de protecție (mască de față). Respectați și indicațiile cu privire la măsuri de protecție ale producătorilor de astfel de substanțe.
- Se vor respecta indicațiile și marcajele ordonanței pentru materiale periculoase de pe ambalaje materialelor de prelucrat. Dacă este necesar, se vor lua măsuri suplimentare de protecție, în special se vor purta haine și măști adecvate.
- În timpul procesului de stropire precum și în încăperea de lucru este interzis fumatul. Pericol de explozie! Și vaporii emanați de vopsele sunt ușor inflamabili.
- Sunt interzise locurile pentru foc sau lumina deschisă, precum și utilizarea mașinilor care produc scantei.
- Nu păstrați și nu consumați alimente și băuturi în spațiul de lucru. Vaporii emanați de vopsele sunt dăunători sănătății.
- Spațiul de lucru trebuie să fie mai mare de 30 m<sup>3</sup> și trebuie asigurată o aerisire suficientă în timpul stropirii și uscării.
- Nu stropiți contra vântului. La stropirea materialelor inflamabile resp. periculoase, trebuie respectate întotdeauna prevederile poliției locale.
- Nu prelucrați materiale cum ar fi ligroina, alcoolul butilic și clorura de metil folosind furtunul de presiune din PVC. Aceste materiale distrug furtunul de presiune.

### Exploatarea recipientelor de presiune

- Recipientul de presiune trebuie să fie păstrat într-o stare corespunzătoare de către utilizatorul său, să fie folosit și supravegheat conform reglementărilor; lucrările de întreținere și reparațiile trebuie executate imediat și măsurile de siguranță necesare trebuie luate în funcție de condițiile de lucru.
- În cazuri individuale măsurile de supraveghere necesare pot fi luate de autoritatea de supraveghere.
- Este interzisă exploatarea unui recipient de presiune dacă prezintă defecțiuni prin care pot fi periclitați angajați sau terți.
- Înainte de fiecare utilizare verificați recipientul de presiune dacă nu prezintă rugină și deteriorări. Este interzisă utilizarea compresorului cu un recipient de presiune deteriorate sau ruginit. În cazul în care constatați deteriorări, vă rugăm să vă adresați unui atelier service pentru clienți.

**Păstrați cu grijă aceste indicații de siguranță.**

## Risc rezidual

Respectați instrucțiunile de întreținere și de siguranță specificate în manualul de instrucțiuni.

Întotdeauna să fie atenți la locul de muncă și să păstreze persoanele terțe la o distanță sigură de la locul de muncă.

Chiar și cu utilizarea corespunzătoare a dispozitivului, un anumit risc rezidual rămâne, care nu poate fi exclusă. Urmatoarele pericole potențiale pot fi derivate din tipul și structura dispozitivului:

punerea în funcțiune accidentală a produsului.

Pierderea auzului în cazul în care nici o protecție adecvată auzului este purtat.

Purtați ochelari de protecție pentru a preveni ochii și pe față de particulele de praf și murdărie.

Inhalarea particulelor de praf și murdărie învârtit-up.

## 6. Date tehnice

Tensiunea de alimentare	220 - 240 V ~ 50Hz
Putere motor W	1800
Mod de funcționare	S1
Turație compresor	2850 min <sup>-1</sup>
Volum recipient de presiune (in litri)	cca. 50
Presiune de lucru	cca. 10 bar
Capacitate teoretică de sucțiune l/min	cca. 260
Nivel de putere acustică L <sub>WA</sub>	97 dB(A)
Incertitudine K <sub>WA</sub>	2,22 dB
Tip de protecție	IP20
Greutate aparat in kg	cca. 34
Ulei (15W 40) l	cca. 0,4
Altitudinea maxima (deasupra nivelului mării)	1000 m

Valorile emisiilor de zgomot au fost măsurate în conformitate cu standardul EN ISO 3744:1995.

### Purtați mijloace de protecție acustică.

Efectele zgomotului pot cauza pierderea auzului.

## 7. Înainte de a porni echipamentul

Înainte de racordare, asigurați-vă că datele de pe plăcuța aparatului corespund cu datele de rețea.

- Verificați aparatul dacă nu prezintă pagube rezultate în timpul transportului. Eventuale pagube trebuie anunțate imediat firmei de transport prin intermediul căreia a fost livrat compresorul.
- Compresorul trebuie amplasat în apropierea consumatorului.
- Se vor evita furtunuri de aer și cabluri de alimentare (cabluri prelungitoare) lungi.
- Aveți grijă ca aerul aspirat să fie uscat și lipsit de praf.
- Nu amplasați compresorul într-un spațiu umed sau ud.

- Utilizarea compresorului este permisă numai în încăperi adecvate (bine aerisite, cu temperatură ambiantă între +5°C și 40°C). În încăpere nu trebuie să existe praf, acizi, aburi, gaze explozive sau inflamabile.
- Compresorul este adecvat pentru utilizarea în încăperi uscate. Nu este permisă utilizarea în încăperi în care se lucrează cu apă pulverizată.
- Înainte de punerea în funcțiune trebuie verificat nivelul uleiului în pompa compresorului.

## 8. Atașarea și operarea

### ⚠ Atenție!

**Înainte de punerea în funcțiune a aparatului, acesta se va monta neapărat complet!**

Pentru montaj aveți nevoie de: 1 x chei fixe de 12 mm, 13 mm, 14 mm (nu sunt incluse în cuprinsul livrării)

### 8.1 Montarea roților (fig. 4)

- Montați roțile alăturate așa cum este arătat în figura.

### 8.2 Montarea piciorului fix (fig. 4,5)

- Montați piciorul suport alăturat așa cum este arătat în figura.

### 8.3 Montarea Mâner de transport (fig. 6)

- Montați Mâner de transport alăturat așa cum este arătat în figura.

### 8.4 Montarea filtrului de aer (fig. 7,8)

- Îndepărtați blocajul folosit pe timpul transportului (B) și fi xăți fi ltrul de aer (15) prin înșurubare pe aparat.

### 8.5 Schimbarea capacului de transport (A) (fig. 9,10)

- Îndepărtați capacul de transport de la orificiul de umplere cu ulei (20) și așezați dopul de închidere (16) în orificiul respectiv.

### 8.6 Racordarea la rețeaua electrică

- Compresorul este echipat cu un cablu de rețea cu ștecher prevăzut cu protecție de contact. Acesta poate fi racordat la orice priză cu protecție de contact de 220-240V ~ 50 Hz, cu siguranță de 16 A.
- Înainte de punerea în funcțiune, asigurați-vă că tensiunea din rețea corespunde cu tensiunea de funcționare indicată pe plăcuța indicatoare a mașinii.
- Cablurile lungi precum și cele prelungitoare, tamburii de cablu și altele, duc la scăderea tensiunii și pot împiedica pornirea motorului.
- La temperaturi scăzute sub +5°C pornirea motorului este periclitată de mersul greoi.

### 8.7 Întrerupător pornire/oprire (fig. 2)

- Pentru pornirea compresorului, întrerupătorul pornire/oprire (17) trebuie tras în sus. Pentru oprirea compresorului, întrerupătorul pornire/oprire trebuie apăsat în jos.

### 8.8 Reglarea presiunii : (fig. 1,3)

- Cu ajutorul regulatorului de presiune (5) se reglează presiunea la manometru (4).

- Presiunea reglată poate fi preluată cu ajutorul cuplajului rapid (3).
- Pe manometru (6) poate fi citită presiunea din recipient.
- Presiunea din recipient este preluată cu ajutorul cuplajului rapid (7).

### 8.9 Reglajul presostatului (fig. 1)

- Presostatul (2) este reglat din fabrică.  
Presiunea de pornire cca. 8 bari  
Presiunea de oprire cca. 10 bari

### 8.10 Montarea furtunului de aer comprimat (fig. 1,3)

- Pentru executarea unor lucrări mai îndepărtate de compresor poate fi folosit un furtun de aer comprimat (14). Pentru aceasta racordați niplul (H) furtunului de aer comprimat la un cuplaj rapid (3, 7). Apoi racordați scula pneumatică la cuplajul rapid (I) al furtunului de aer comprimat.

## 9. Conexiunea electrică

**Motorul electric instalat este conectat și gata de operare. Conexiunea este în conformitate cu prevederile VDE și DIN în vigoare.**

**De asemenea, conexiunea la rețea a clientului și cablul prelungitor utilizat trebuie să fie în conformitate cu aceste reglementări.**

### Indicații importante

În cazul unei suprasolicitări a motorului, acesta se deconectează automat. După un timp de răcire (diferit), motorul poate fi conectat din nou.

### Cablu de conectare la electricitate deteriorat

Izolațiile cablurilor de conectare la electricitate sunt adesea deteriorate.

Acest lucru se poate întâmpla din următoarele cauze:

- Puncte de trecere, unde cablurile sunt trecute prin ferestre sau uși.
- Îndoitori în locurile în care cablul de conectare a fost fixat sau tras necorespunzător.
- Locuri în care cablurile de conectare au fost tăiate datorită trecerii peste ele.
- Deteriorarea izolației datorită smulgerii din priză.
- Fisuri datorate îmbătrânirii izolației.

Asemenea cabluri de conectare la electricitate deteriorate nu trebuie utilizate; pun viața în pericol datorită deteriorării izolației.

Verificați regulat cablurile de conectare la electricitate pentru a vedea dacă sunt deteriorate. Asigurați-vă că, în timpul inspecției, cablul de conectare nu este conectat la rețeaua de alimentare.

Cablurile de conectare la electricitate trebuie să fie în conformitate cu prevederile VDE și DIN în vigoare. Nu utilizați decât cabluri de conectare cu marcajul „H05VV-F”. Imprimarea denumirii tipului pe cablul de conectare este obligatorie.

### Motorul de c.a.

- Tensiunea de rețea trebuie să fie de 220 - 240 V c.a.
- Cablurile de conexiune cu o lungime de până la 25 m trebuie să aibă o secțiune transversală de 1,5 mm<sup>2</sup>. Conexiunile și reparațiile echipamentului electric pot fi efectuate numai de un electrician.

În cazul oricăror solicitări, furnizați următoarele informații:

- Tipul de curent pentru motor
- Datele mașinii – placa indicatoare
- Datele mașinii – placa indicatoare

## 10. Curățarea, întreținerea și depozitarea

### ⚠ Atenție!

Înainte de toate lucrările de curățare și întreținere scoateți ștecherul din priză! Pericol de accidentare prin șocuri de curent!

### ⚠ Atenție!

Așteptați până când aparatul s-a răcit complet! Pericol de ardere!

### ⚠ Atenție!

Înainte de toate lucrărilor de curățare și întreținere aparatul se va scoate de sub presiune! Pericol de accidentare!

### 10.1 Curățarea

- Păstrați aparatul lipsit de praf și cât mai curat posibil. Ștergeți aparatul cu o carpă curată sau curățați-l cu aer comprimat la o presiune mică.
- Recomandăm curățarea aparatului imediat după fiecare utilizare.
- Curățați aparatul cu regularitate cu o carpă umedă și puțin săpun. Nu folosiți detergenți sau solvenți; aceștia pot ataca părțile din material plastic ale aparatului. Fiți atenți să nu între apă în interiorul aparatului.
- Înainte de curățare, furtunul și uneltele de stropit se vor demonta de pe compresor. Compresorul nu se va curăța cu apă, solvenți sau ceva asemănător.

### 10.2 Întreținerea recipientului de presiune (fig. 1)

**Atenție!** Pentru o viață de lungă durată a recipientului de presiune (8) trebuie evacuată apa de condens după fiecare utilizare prin deschiderea șurubului de evacuare (10). Intai se depresurează recipientul (vezi 10.7.1). Se deschide șurubul de evacuare prin rotirea în sens contrar acelor de ceasornic (șurubul văzut din partea inferioară a compresorului) și se elimină în totalitate apa de condens din recipientul de presiune. Apoi închideți din nou șurubul de evacuare (rotire în sensul acelor de ceasornic). Înainte de fiecare utilizare verificați recipientul de presiune dacă nu prezintă rugină și deteriorări. Este interzisă utilizarea compresorului cu un recipient de presiune deteriorat sau ruginit. În cazul în care constatați deteriorări, vă rugăm să vă adresați unui atelier service pentru clienți.

### ⚠ Atenție!

**Apa de condens din recipientul de presiune conține resturi de ulei. Eliminați apa de condens la un centru de colectare corespunzător, ținând cont de protecția mediului înconjurător.**

### 10.3 Ventil de siguranță (fig. 3)

Ventilul de siguranță (19) este reglat la presiunea maximă admisibilă a recipientului de presiune. Nu este admisă dereglarea ventilului de siguranță sau îndepărtarea plombei acestuia. Pentru funcționarea corectă a ventilului de siguranță în caz de necesitate, acesta trebuie activat din când în când. Trageți de inel până când se aude eliminarea aerului comprimat. Apoi eliberați din nou inelul.

### 10.4 Verificarea cu regularitate a nivelului uleiului (fig. 11)

Amplasați compresorul pe o suprafață plană, dreaptă. Nivelul de ulei trebuie să se afle între nivelul MAX și MIN al vizorului pentru ulei (18). Schimbarea uleiului: Ulei recomandat: SAE 15W 40 sau similar. Uleiul din prima umplere trebuie schimbat după 100 de ore de funcționare; după aceea uleiul trebuie evacuat după fiecare 500 de ore de funcționare și pus altul nou în loc.

### 10.5 Schimbarea uleiului (fig. 3, 10)

Opriti motorul și scoateți ștecherul din priză. Se scoate dopul de etanșare de ulei (16). După ce ați evacuat eventuala presiune a aerului existentă, puteți să deșurubați șurubul de evacuare al uleiului (12) la camera de compresie (13). Pentru a evita scurgerea necontrolată a uleiului, așezați sub orificiul de evacuare un jgheab de tablă și colectați uleiul într-un recipient. Dacă uleiul nu se scurge în totalitate, vă recomandăm să înclinați un pic compresorul. După scurgerea uleiului puneți șurubul de evacuare al uleiului (12) din nou la loc.

### Uleiul uzat trebuie eliminat la o stație corespunzătoare de colectare a uleiului uzat.

Pentru umplerea cantității corespunzătoare de ulei, compresorul trebuie amplasat pe o suprafață plană. Introduceți uleiul nou prin orificiul de umplere a uleiului (20), până când nivelul uleiului a atins volumul maxim de umplere. Acesta este marcat printr-un punct roșu pe vizorul pentru ulei (18) (fig. 11). Nu depășiți volumul maxim de umplere. Umplerea excesivă poate avea ca urmare deteriorări ale aparatului. Introduceți dopul de închidere pentru ulei (16) din nou în orificiul de umplere cu ulei (20).

### 10.6 Curățarea filtrului de aer (15) (fig. 3, 12, 13)

Filtrul de aer (15) împiedică aspirarea prafului și a murdăriei. Este necesar ca acest filtru să fie curățat cel puțin la fiecare 300 de ore de funcționare. Un filtru de aer infundat reduce considerabil puterea compresorului. Îndepărtați filtrul de aer (15) prin desfacerea șurubului fluture (E). Apoi îndepărtați capacul filtrului (C). Acum puteți scoate filtrul de aer (F). Loviți pentru curățare cu grijă filtrul de aer, capacul filtrului și carcasa filtrului. Aceste componente trebuie suflate apoi cu aer comprimat (cca. 3 bari) și montate din nou în ordine inversă.

### 10.7 Depozitarea

#### ⚠ Atenție!

Scoateți ștecherul din priză, aerisiți aparatul și toate sculele pneumatice racordate. Depozitați compresorul astfel încât să nu poată fi pus în funcțiune de către persoane neautorizate.

#### ⚠ Atenție!

Compresorul se va păstra numai în locuri uscate, inaccesibile persoanelor neautorizate. Nu înclinați compresorul, păstrați-l numai în poziție verticală. Este posibilă scurgerea de ulei!

#### 10.7.1 Evacuarea suprapresiunii

Eliminați suprapresiunea din compresor prin decuplarea acestuia și folosirea aerului comprimat existent în recipientul de presiune, de exemplu cu ajutorul unei scule pneumatice în regim de ralanti sau al unui pistol de suflare.

## 11. Dezafectarea și reciclarea

Echipamentul este furnizat în ambalaj pentru a preveni deteriorarea sa în timpul transportului. Materiile prime din acest ambalaj pot fi reutilizate sau reciclate. Echipamentul și accesoriile sale sunt realizate din diverse tipuri de materiale, precum metal și plastic. Componentele defecte trebuie dezafectate ca deșeuri speciale. Întrebați distribuitorul sau consiliul local.



Ambalajul este din materiale ecologice, care pot fi înlăturate în punctele locale de reciclare.

Posibilități de înlăturare ale produsului dvs. le puteți afla în localitatea dvs. sau la administrația locală.

## 12. Transportul

Folosiți mânerul pentru a transporta compresorul. Observați greutatea la ridicarea compresorului (vezi Date tehnice).

Atunci când transportați compresorul într-un vehicul cu motor, să asigure o bună fixarea încărcăturii.

### 13. Depanarea

Defect	Cauze posibile	Remediere
Compresorul nu merge.	<ul style="list-style-type: none"><li>• Nu există tensiune de rețea.</li><li>• Tensiunea de alimentare prea scăzută.</li><li>• Temperatura exterioară prea mică.</li><li>• Motorul supraîncălzit.</li></ul>	<ul style="list-style-type: none"><li>• Se verifică cablul, ștecherul de rețea, siguranța și priza.</li><li>• Se va evita folosirea unui cablu prea lung. Se va folosi un cablu prelungitor cu o secțiune a firelor suficientă.</li><li>• Nu se va exploata sub o temperatură exterioară de +5 °C.</li><li>• Se lasă motorul să se răcească, eventual se remediază cauza supraîncălzirii acestuia.</li></ul>
Compresorul merge, nu există însă presiune.	<ul style="list-style-type: none"><li>• Ventil de reținere (19) neetanș</li><li>• Garniturile deteriorate.</li> <li>• Șurubul de scurgere a apei de condens (10) neetanș.</li></ul>	<ul style="list-style-type: none"><li>• Se schimbă ventilul de reținere (19).</li><li>• Se verifică garniturile, cele deteriorate se vor schimba de către un atelier de specialitate.</li><li>• Se strânge șurubul cu mâna. Se verifică garnitura de pe șurub, eventual se schimbă.</li></ul>
Compresorul merge, manometrul indică presiune însă uneltele nu funcționează.	<ul style="list-style-type: none"><li>• Legăturile prin furtun neetanșe.</li><li>• Cuplajul rapid neetanș.</li><li>• Presiunea reglată la regulatorul de presiune (5) prea redusă.</li></ul>	<ul style="list-style-type: none"><li>• Se verifică furtunul de aer comprimat și uneltele, eventual se înlocuiesc.</li><li>• Se verifică cuplajul rapid, eventual se înlocuiește.</li><li>• Se deschide din nou regulatorul de presiune.</li></ul>

## 14. Certificatul de garanție

Stimată clientă, stimat client,

toate produsele noastre sunt supuse la verificări stricte de calitate, pentru a avea siguranța că ajung la dvs. în stare perfectă. În cazul puțin probabil în care la dispozitiv apare un defect, contactați departamentul nostru de service la adresa indicată pe această fișă de garanție. Bineînțeles, dacă preferați să ne apelați, ne bucurăm să vă oferim asistență la numărul de service imprimat mai jos. Rețineți următorii termeni sub care pot fi făcute cereri în baza garanției:

- Acești termeni de garanție acoperă drepturi de garanție suplimentare și nu afectează drepturile privind garanția prevăzute de lege. Pentru această garanție nu vă taxăm.
- Garanția noastră acoperă numai problemele cauzate de defecte de material sau de fabricație și se limitează la remedierea acestor defecte sau înlocuirea dispozitivului. Rețineți că dispozitivele noastre nu au fost concepute pentru utilizarea în aplicații comerciale, profesionale sau industriale. În consecință, garanția este invalidată dacă echipamentul este utilizat în activități comerciale, profesionale sau industriale sau în alte activități echivalente. De asemenea, garanția exclude următoarele: compensarea pentru deteriorare la transport, deteriorări cauzate de nerespectarea instrucțiunilor de instalare/asamblare sau deteriorări cauzate de instalarea neprofesională, nerespectarea instrucțiunilor de instalare (de exemplu, conectarea la altă tensiune de rețea sau alt tip de curent), utilizări incorecte sau necorespunzătoare (precum supraîncărcarea dispozitivului sau utilizarea de scule sau accesorii neaprobate), nerespectarea normelor de întreținere și de protecție a muncii, pătrunderea de corpuri străine în dispozitiv (de exemplu, nisip, pietre sau praf), efecte cauzate de forțe sau de influențe externe (de exemplu, deteriorări cauzate de căderea dispozitivului) și uzura normală care rezultă în urma operării corespunzătoare a dispozitivului.

Garanția este declarată nulă și neavenită în cazul oricărei încercări de a modifica dispozitivul.

- Garanția este valabilă pentru o perioadă de 3 ani de la data cumpărării dispozitivului. Cererile în baza garanției trebuie transmise înainte terminării perioadei de garanție, în interval de două săptămâni de la observarea defectului. După încheierea perioadei de garanție nu vor mai fi acceptate cereri în baza garanției. Perioada inițială de garanție rămâne în vigoare pentru dispozitiv chiar dacă sunt efectuate reparații sau sunt înlocuite componente. În asemenea cazuri, lucrările efectuate sau componentele înlocuite nu vor avea ca rezultat extinderea perioadei de garanție și nu va mai fi activată nicio altă garanție pentru lucrarea efectuată sau componentele montate. Această situație este valabilă și atunci când se utilizează un service la fața locului.
- Pentru a vă afirma cererea în baza garanției, trimiteți dispozitivul, fără plata taxelor poștale, la adresa de mai jos. Includeți originalul sau o copie a bonului de casă sau altă dovadă a cumpărării datată. Păstrați bonul de casă într-un loc sigur, deoarece este dovada dvs. de cumpărare. Ne-ar fi de ajutor dacă ați putea descrie natura problemei cât mai detaliat posibil. Dacă defectul este acoperit de garanția noastră, atunci dispozitivul fie vă va fi reparat imediat și returnat, fie vă vom trimite un nou dispozitiv.

Bineînțeles, putem oferi și servicii de reparații cu plată pentru orice defecte care nu fac parte din aria de acoperire a acestei garanții sau pentru unități care nu mai sunt acoperite. Pentru a beneficia de acest serviciu, trimiteți dispozitivul la adresa noastră de service.

### Hotline serviciu:

+800 4003 4003

(0,00 EUR/Min.)

### Serviciu de e-mail (RO):

service.RO@schepbach.com

### Adresa serviciu (RO):

Movi Service S.R.L

Str. Nicolae Balcescu Nr. 6a,

200676 - Croaiova, jud. DOLJ

Romania

**Съдържание:****Страница:**

1. Увод	33
2. Описание на уреда	33
3. Обем на доставката	33
4. Употреба по предназначение	34
5. Инструкции за безопасност	34
6. Технически данни	36
7. Преди пускане в експлоатация	36
8. Конструкция и обслужване	36
9. Електрическо свързване	37
10. Почистване, поддръжка, Съхранение	38
11. Изхвърляне и рециклиране	39
12. Транспорт	39
13. Отстраняване на неизправности	39
14. Гаранционна карта	40
15. Декларация за съответствие	61



## 1. Увод

### ПРОИЗВОДИТЕЛ:

**scheppach**

Fabrikation von Holzbearbeitungsmaschinen GmbH  
Günzburger Straße 69  
D-89335 Ichenhausen, Германия

### УВАЖАЕМИ КЛИЕНТИ,

Желаем Ви много приятни моменти и успехи при работата с Вашия нов уред.

### УКАЗАНИЕ:

Съгласно действащия закон за продуктова отговорност, производителят на този уред не носи отговорност за щети, възникнали по или поради този уред, при:

- неправилно боравене,
- неспазване на ръководството за обслужване,
- ремонти от неупълномощени специалисти, явяващи се трети лица,
- вграждане и подмяна на не оригинални резервни части,
- употреба не по предназначение,
- отказ на електрическата инсталация при неспазване на предписанията за работа с електричество и разпоредбите на VDE 0100, DIN 57113 / VDE0113.

### Обърнете внимание:

Преди монтажа и пускането в експлоатация прочетете целия текст на ръководството за обслужване.

Целта на това ръководство за обслужване е да Ви улесни при запознаването с Вашия електрически инструмент и използването на неговите възможности за употреба съгласно предписанията.

Ръководството за обслужване съдържа важни указания относно безопасната, правилната и икономичната работа с електрическия инструмент, избягването на опасности, спестяването на разходи за ремонт, намаляването на времената на престой и увеличаването на надеждността и живота на електрическия инструмент. В допълнение към указанията за безопасност в това ръководство за обслужване, задължително трябва да спазвате отнасящите се до експлоатацията на електрическия инструмент предписания във Вашата страна. Съхранявайте ръководството за обслужване при електрическия инструмент, защитено от замърсяване и влага в пластмасова торбичка. То трябва да бъде прочетено и внимателно спазвано от всеки оператор преди започване на работа. С електрическия инструмент могат да работят само лица, които са инструктирани относно употребата на електрическия инструмент и са запознати със свързаните с това опасности. Изискваната минимална възраст трябва да се спазва.

Освен съдържащите се в това ръководство за обслужване указания за безопасност и специалните разпоредби във Вашата страна, при работата с дървообработващи машини трябва да се спазват и общопризнатите правила на техниката.

Не поемаме отговорност за злополуки или щети, възникнали поради неспазване на това ръководство или на указанията за безопасност.

## 2. Описание на уреда (фигура. 1-13)

1. Дръжка за транспортиране
2. Реле за налягането
3. Бързодействащ съединител (регулиран сгъстен въздух)
4. Манометър (отчитане на настроеното налягане)
5. Регулатор на налягането
6. Манометър (налягането в резервоара може да бъде отчетено)
7. Бързодействащ куплунг (нерегулиран сгъстен въздух)
8. Резервоар със сгъстен въздух
9. Опорен крак
10. Изпускателен винт за кондензна вода
11. Колело
12. Пробка за източване на маслото
13. Компресорна помпа
14. Пневматичен маркуч
15. Въздушен филтър
16. Пробка за маслото
17. Бутон за вкл./изкл.
18. Наблюдателно стъкло за маслото
19. Предпазен вентил
20. Отвор за наливане на масло
21. Фланец винт
22. Шайба
23. Гайка
24. Фланец гайка
25. Винт
26. Шестограмен Винт
27. Шестограмен ключ 5 mm

## 3. Обем на доставката

- 1x Дръжка за транспортиране
- 1x Въздушен филтър
- 2x Пробка за източване на кондензна вода
- 2x Колело
- 1x Пробка за маслото
- 1x Пневматичен маркуч
- 1x Шестограмен ключ 5 mm
- 1x Инструкции за работа

- Отворете опаковката и внимателно извадете уреда.
- Отстранете опаковъчния материал, както и опаковъчните и транспортните осигуровки (ако има такива).
- Проверете дали обемът на доставката е пълен.
- Проверете уреда и принадлежностите за повреди от транспортирането.
- По възможност запазете опаковката до изтичане на гаранционния срок.

## ⚠ ВНИМАНИЕ

Уредът и опаковъчните материали не са играчка за деца! Деца не бива да играят с пластмасови торбички, фолио и малки части! Съществува опасност от поглъщане и задушаване!

## 4. Употреба по предназначение

Компресорът е предназначен за производство на състен въздух за пневматични инструменти, които могат да работят с дебит до около 260 л/мин. (например пистолет за гуми, пистолет за продухване и пистолет за лакиране). Поради ограниченото количество на подавания въздух, не могат да се използват инструменти, които имат много голям разход на въздух (например вибрационен шлайф, прав шлайф и ударен винтоверт).

Машината може да се използва само съгласно нейното предназначение. Всяка различаваща се от това употреба не е по предназначение. За всякакъв вид произтичащи от това щети или наранявания отговорност носи потребителят/операторът, а не производителят.

Имайте предвид, че нашите уреди не са конструирани за производствена, занаятчийска или промишлена употреба. Няма да уважим гаранцията, ако уредът се използва в производствени, занаятчийски или промишлени предприятия, както и при сходни дейности.

## 5. Инструкции за безопасност

**⚠ Внимание!** При употреба на електрически инструменти трябва да се вземат следните предпазни мерки срещу токов удар, опасност от нараняване и пожар. Прочетете всички тези указания, преди да използвате този електрически инструмент, и съхранявайте добре указанията за безопасност.

**⚠ Внимание!** При използване на компресора трябва да спазвате посочените по-долу основни указания за безопасна работа, за да се предпазите от токов удар, наранявания и пожар. Прочетете и спазвайте указанията, преди да използвате уреда.

### Безопасна работа

- 1 Поддържайте Вашето работно място подредено
  - Безпорядъкът на работното място може да доведе до злополуки.
- 2 Съблюдавайте влиянията на околната среда
  - Не излагайте електрически инструменти на дъжд.
  - Не използвайте електрически инструменти във влажна или мокра среда. Опасност от токов удар!
  - Осигурявайте добро осветление на работното място.
  - Не използвайте електрически инструменти на места, на които съществува опасност от пожар или експлозия.
- 3 Пазете се от токов удар
  - Избягвайте докосване на тялото до заземени части (напр. тръби, радиатори, електрически печки, хладилници).
- 4 Дръжте други лица надалеч
  - Не позволявайте на други лица, особено деца, да докосват електрическия инструмент или кабела. Дръжте ги далеч от Вашето работно място.
- 5 Съхранявайте неизползвани електрически инструменти на сигурно място
  - Неизползваните електрически инструменти трябва да се оставят на сухо, високо или заключено място, извън обсега на деца.
- 6 Не претоварвайте Вашия електрически инструмент
  - Ще работите по-добре и по-сигурно в посочения диапазон на работни характеристики.
- 7 Носете подходящо облекло
  - Не носете широки дрехи или бижута, те биха могли да бъдат захванати от движещи се части.
  - При работа на открито е препоръчително да използвате гумени ръкавици и обувки с антихлъзгащи подметки.
  - При дълги коси носете мрежа за коса.
- 8 Не използвайте кабела за цели, за които той не е предназначен
  - Не използвайте кабела, за да издърпвате щепсела от контакта. Пазете кабела от горещина, масло и остри ръбове.
- 9 Поддържайте грижливо Вашите инструменти
  - Почиствайте компресора, за да работи добре и безопасно.
  - Спазвайте указанията за поддръжка.
  - Проверявайте редовно свързващия проводник на електрическия инструмент и при повреда възлагайте подмяната му на признат специалист.
  - Проверявайте удължаващите кабели редовно и ги сменяйте, ако са повредени.
- 10 Изваждайте щепсела от контакта
  - Когато електрическият инструмент не се използва, преди поддръжка и при смяна на инструменти, като напр. режещ диск, свредло, фреза.
- 11 Избягвайте неволно задвижване
  - Уверявайте се, че превключвателят е изключен при вкарване на щепсела в контакта.
- 12 Използвайте удължаващ кабел за употреба на открито
  - На открито използвайте само допустими за това и съответно обозначени удължаващи кабели.
  - Използвайте макара с кабел само в размотано състояние.
- 13 Винаги бъдете внимателни
  - Внимавайте за това, което правите. Подхождайте разумно към работата. Не използвайте електрическия инструмент, когато не сте концентрирани.

- 14** Проверявайте електрическият инструмент за евентуални повреди
- Преди следваща употреба на електрическият инструмент трябва внимателно да се проверява изрядното и правилно функциониране на предпазните устройства или на леко повредените части.
  - Проверявайте дали движещите се части функционират изрядно и не заяждат, или дали няма повредени части. Всички части трябва да са монтирани правилно и да отговарят на всички условия, за да се гарантира изрядната работа на електрическият инструмент.
  - Повредени предпазни устройства и части трябва да бъдат ремонтирани или подменени съгласно изискванията от признат специализиран сервиз, освен ако не е посочено друго в ръководството за обслужване.
  - Повредени превключватели трябва да се подменят от сервизна служба.
  - Не използвайте дефектни или повредени свързващи проводници.
  - Не използвайте електрически инструменти, чийто превключвател не може да се включва или изключва.
- 15** Възлагайте ремонта на Вашия електрически инструмент на електротехник
- Този електрически инструмент отговаря на приложимите норми за безопасност. Ремонти могат да се извършват само от електротехник при използване на оригинални резервни части; в противен случай могат да възникнат злополуки за потребителя.
- 16** Внимание!
- За Ваша сигурност използвайте само принадлежности и приставки, които са посочени в упътването за употреба или които са препоръчани или са посочени от производителя. Използването на други инструменти или принадлежности, освен препоръчаните в упътването за употреба или в каталога, може да доведе до нараняване.
- 17** Шум
- Когато използвате компресора, поставете предпазни средства за слуха.
- 18** Смяна на захранващия кабел Ако захранващият кабел се повреди,
- кабелът трябва да се смени от производителя или от електротехник, за да се предотвратят рисковете. Опасност от токов удар!
- 19** Напомпване на гумите
- Проверете налягането в гумите с подходящ манометър, веднага след като ги напомпате, например на бензиностанция.
- 20** Мобилни компресори за строителни цели
- Имайте предвид, че всички маркучи и арматури са подходящи за максимално допустимото работно налягане на компресора.
- 21** Разполагане на компресора Поставете
- компресора само върху равна повърхност.

- 22** Захранващи маркучи при нагнетяване над 7 бара би следвало да са оборудвани със защитен кабел (напр. телено въже).

## ДОПЪЛНИТЕЛНИ УКАЗАНИЯ ЗА БЕЗОПАСНОСТ

### Указания за безопасна работа със сгъстен въздух и пистолети за продухване

- Компресорната помпа и проводниците достигат високи температурни стойности по време на работа. При докосване се предизвикват изгаряния.
- Засмукваният от компресора въздух не трябва да съдържа примеси, които могат да доведат до запалване или експлозия в компресорната помпа.
- При развиване на конектора за маркуча хванете конектора стабилно с ръка. Така ще избегнете нараняване от бързо отскачащия назад маркуч.
- При работа с пистолета за продухване използвайте защитни очила. Чуждите тела и издуханите частици могат лесно да предизвикат наранявания.
- Не насочвайте пистолета за продухване към хора и не почиствайте дрехи върху тялото. Опасност от нараняване!

### Указания за безопасна работа при боядисване чрез шприцоване

- Не обработвайте лакове или разтворители с температура на възпламеняване под 55°C. Опасност от експлозия!
- Не загрявайте лаковете и разтворителите. Опасност от експлозия!
- Ако обработвате опасни за здравето течности, трябва да използвате противогазови маски (маски за лице). Съблюдавайте също указанията на производителите на тези вещества относно предпазните мерки.
- Съблюдавайте указанията, които са посочени на опаковките на обработваните материали и обозначенията от наредбата за опасните вещества. При необходимост трябва да вземете допълнителни предпазни мерки, а именно да използвате подходящо облекло и маски.
- Не трябва да пушите в работното помещение, докато шприцовате. Опасност от експлозия! Изпаренията от боите също са лесно запалими.
- Избягвайте и не използвайте места с открит огън, открити източници на светлина или машини, отделящи искри.
- Не съхранявайте и не консумирайте храни и напитки в работното помещение. Изпаренията от боите са вредни за здравето.
- Работното помещение трябва да бъде над 30 m<sup>3</sup>, като при шприцоването и съхненето трябва да се осигури достатъчна циркулация на въздуха.
- Не пръскайте срещу посоката на вятъра. При шприцоване на горими или опасни вещества спазвайте изискванията на местните органи на реда.
- Не обработвайте с PVC напорен маркуч вещества като лаков бензин, бутанол и метилен хлорид. Тези вещества повреждат напорния маркуч.

## Използване на напорни резервоари

- Когато използвате напорен резервоар, трябва да го поддържате в изправно състояние, да го експлоатирате съгласно указанията и да го проверявате, както и веднага да извършвате необходимите работи по поддръжката и ремонта и да вземате необходимите предпазни мерки в зависимост от обстоятелствата.
- В отделни случаи контролните власти могат да разпоредят предприемането на съответните надзорни мерки.
- Напорният резервоар не трябва да се използва, ако има повреди, поради които операторът или трето лице са изложени на опасност.
- Преди всяка употреба проверявайте резервоара за ръжда и повреди. Не използвайте компресора с повреден или ръждясал резервоар. Ако констатирате повреди, трябва да се обърнете към сервиз.

## Съхранявайте указанията за безопасна работа.

### Остатъчен риск

Спазвайте посочените инструкции за поддръжка и безопасност в инструкцията за експлоатация.

Винаги бъдете внимателни при работа и да запази трети лица на безопасно разстояние от работното си място.

Дори и с правилното използване на устройството, определен остатъчен риск остава, който не може да се изключи. Следните потенциални опасности могат да бъдат получени от вида и конструкцията на устройството: непреднамерено пускане в експлоатация на продукта. Загубата на слуха, ако няма подходящ за защита на слуха е износена.

Носете предпазни очила, за да се предотврати очите и лицето си от прах и частици мръсотия.

Вдишването на завъртя нагоре прах и частици мръсотия.

## 6. Технически данни

Електрозахранване	220 - 240 V ~ 50 Hz
Мощност на двигателя W	1800
Работен режим	S1
Честота на въртене на компресора	2850 мин <sup>-1</sup>
Обем на резервоара (в литри)	прибл. 50
Работно налягане	прибл. 10 bar
Теоретична всмукателна мощност л/мин.	прибл. 260
Ниво на звукова мощност L <sub>WA</sub>	97 dB(A)
Неопределеност K <sub>WA</sub>	2,22 dB
Вид на защитата	IP20
Тегло на уреда в кг	прибл. 34
Масло (15W 40) l	прибл. 0,4

Максимална надморска височина (над морското равнище)

1000 m

Емисионните стойности на шум са определени съгласно EN ISO 3744:1995.

### Носете защита за слуха.

Въздействието на шум може да причини загуба на слуха.

## 7. Преди пускане в експлоатация

Преди да включите уреда, проверете дали данните на фабричната табелка отговарят на данните на електрическата мрежа.

- Проверете уреда за повреди в следствие на транспортването. При наличието на повреди веднага уведомете транспортната фирма, която е доставила компресора.
- Поставете компресора близо до консуматора.
- Избягвайте да използвате дълги въздухопроводи и дълги захранващи проводници (удължителни кабели).
- Всмуканият въздух трябва да бъде сух и незапращен.
- Не поставяйте компресора във влажно или мокро помещение.
- Компресорът трябва да се използва само в подходящи помещения (добре вентилирани, температура на околната среда от +5 °C до 40 °C). В помещението не трябва да има прах, киселини, пари, експлозивни или възпламеними газове.
- Компресорът е предназначен за използване в сухи помещения. Не използвайте компресора на места, на които се пръска с вода.
- Преди да започнете работа, трябва да проверите нивото на маслото в компресорната помпа.

## 8. Конструкция и обслужване

### ⚠ Внимание!

Преди пускане в експлоатация задължително монтирайте уреда изцяло!

За монтажа са Ви необходими: 1 x гаечен ключ 12 мм, 13 мм, 14 мм (не е включен в доставката)

### 8.1 Монтиране на колелата (фигура 4)

- Монтирайте доставените колела, както е показано на фигура.

### 8.2 Монтиране на крака (фигура 4,5)

- Монтирайте доставения крак, както е показано на фигура.

### 8.3 Монтиране на Дръжка за транспортиране (фигура 6)

- Монтирайте доставения, Дръжка за транспортиране е показано на фигура.

#### 8.4 Монтиране на въздушния филтър (фигура 7,8)

- Отстранете транспортната тапа (B) и завийте въздушния филтър (15) към уреда.

#### 8.5 Смяна на транспортната капачка (A) (фигура 9,10)

- Отстранете транспортната капачка от отвора за наливане на масло (20) и поставете доставената пробка за маслото (16) в отвора за наливане на масло.

#### 8.6 Електрозахранване

- Компресорът е оборудван със захранващ кабел с щепсел тип „шuko“. Може да се включва във всеки контакт тип „шuko“ 220-240 V ~ 50 Hz, който е защитен с предпазител от 16 A.
- Преди да включите уреда, проверете дали напрежението на електрическата мрежа съответства на работното напрежение, което е посочено на табелката с параметрите на уреда.
- Дългите захранващи кабели, както и удължителните кабели, кабелните макари и др., предизвикват спадане на напрежението и могат да затруднят включването на двигателя.
- При ниски температури под +5 °C включването на двигателя се затруднява.

#### 8.7 Превключвател за включване/ изключване (фигура 2)

- Компресорът се включва чрез издърпване на превключвателя за включване/изключване (17) нагоре. Компресорът се изключва чрез натискане на превключвателя за включване/ изключване надолу.

#### 8.8 Регулиране на налягането: (фигура 1, 3)

- Налягането се регулира с регулатора (5) посредством манометъра (4).
- Настроеното налягане може да се изпусне от бързодействащия куплунг (3).
- Налягането в резервоара се отчита на манометъра (6).
- Налягането в резервоара се изпуска от бързодействащия куплунг (7).

#### 8.9 Регулиране на релето за налягането (фигура 1)

- Релето за налягането (2) е фабрично настроено. Налягане при включване - около 8 бара. Налягане при изключване - около 10 бара.

#### 8.10 Монтиране на пневматичния маркуч (фигура 1,3)

- При извършване на работи на голямо разстояние от компресора можете да използвате пневматичния маркуч (14). За целта свържете нипела (H) на пневматичния маркуч към един от бързодействащите куплунги (3, 7). След това свържете пневматичния инструмент към бързодействащия куплунг (I) на пневматичния маркуч.

## 9. Електрическо свързване

Монтираният електродвигател е свързан в готовност за експлоатация. Свързването отговаря на приложимите разпоредби на VDE и DIN. Мрежовото свързване от страна на клиента, както и използваният удължаващ кабел, трябва да отговарят на тези предписания.

#### Важни указания

При претоварване на двигателя, той се изключва автоматично. След време на охлаждане (различно по време), двигателят може да се включи отново.

#### Повреден свързващ електрически проводник

По свързващите електрически проводници често възникват повреди в изолацията.

Причини за това могат да бъдат:

- Точки на притискане, когато свързващите проводници са прокарани през процепи на прозорци или врати.
- Точки на прегъване поради неправилно закрепване или прокаране на свързващия проводник.
- Места на прерязване поради прегазване на свързващия проводник.
- Повреди в изолацията поради дърпане от стенния контакт.
- Пукнатини поради стареене на изолацията.

Такива дефектни свързващи електрически проводници не бива да се използват и поради повредената изолация са опасни за живота.

Редовно проверявайте за повреди свързващите електрически проводници. Внимавайте за това, при проверката свързващият проводник да не е закачен към електрическата мрежа.

Свързващите електрически проводници трябва да отговарят на приложимите разпоредби на VDE и DIN. Използвайте само свързващи проводници с обозначение „H05VV-F“.

Отпечатване на типовото обозначение върху свързващия кабел е задължително предписание.

#### Двигател на променлив ток

- Мрежовото напрежение трябва да е 220 - 240 V~.
- Удължаващите проводници с дължина до 25 m трябва да са с напречно сечение от 1,5 квадратни милиметра.

Свързване и ремонти на електрическо оборудване трябва да се извършват само от електротехник.

При запитвания, моля посочвайте следните данни:

- Тип ток на двигателя
- Данни от типовата табелка на машината
- Данни от типовата табелка на двигателя

## 10. Почистване, поддръжка, Съхранение

### ⚠ Внимание!

Изключвайте щепсела, преди да извършвате всякакви работи по почистването и поддръжката! Опасност от нараняване поради токов удар!

### ⚠ Внимание!

Изчакайте, докато уредът изстине напълно! Опасност от изгаряне!

### ⚠ Внимание!

Преди всички работи по почистването и поддръжката изпускате налягането от уреда! Опасност от нараняване!

### 10.1 Почистване

- Почиствайте уреда от прах и замърсявания! Избърсвайте уреда с чиста кърпа или го почиствайте с въздух под ниско налягане.
- Препоръчваме Ви да почистите уреда непосредствено след всяко използване.
- Почиствайте уреда периодично с влажна кърпа и с малко мек сапун. Не използвайте почистващи препарати или разтворители, тъй като те могат да повредят пластмасовите части на уреда. Внимавайте вътре в уреда да не попада вода.
- Маркучет и разпръсквателните накрайници трябва да се отстранят от компресора преди почистването. Не почиствайте компресора с вода, разтворители и други подобни препарати.

### 10.2 Поддръжка на напорния резервоар (фигура 1)

**Внимание!** За да удължите експлоатационния живот на резервоара (8), след всяка употреба трябва да източвате кондензната вода чрез отваряне на пробката (10). Преди това изпуснете налягането от резервоара (вижте 10.7.1.). Пробката се отваря чрез завъртане в посока, обратна на часовниковата стрелка (погледната от долната страна на компресора към пробката), за да може кондензната вода да изтече напълно от резервоара. След това завийте пробката отново (чрез завъртане по посока на часовниковата стрелка). Преди всяка употреба проверявайте напорния резервоар за ръжда и повреди. Не използвайте компресора с повреден или ръждясал резервоар. Ако констатирате повреди, трябва да се обърнете към сервиз.

### ⚠ Внимание!

**Кондензната вода от резервоара съдържа остатъци от масло. Отстранете кондензната вода по екологосъобразен начин, като я предадете в приемателен пункт.**

### 10.3 Предпазен вентил (фигура 3)

Предпазният вентил (19) е настроен на максимално допустимото налягане на напорния резервоар. Не трябва да променяте настройката на предпазния вентил или да отстранявате пломбата му. За да функционира предпазният вентил правилно при необходимост, той трябва да се задейства от време на време. Дръпнете пръстена толкова силно, докато се чуе изпускането на съгъстения въздух. След това освободете пръстена.

### 10.4 Редовно контролиране на нивото на маслото (фигура 11)

Поставете компресора върху равна, ненаклонена повърхност. Нивото на маслото трябва да бъде между MAX и MIN на наблюдателното стъкло (18). Смяна на маслото: препоръчително масло: SAE 15W 40 или подобно. Първото напълнено количество масло трябва да се смени след 100 работни часа. След това маслото трябва да източва и да се допълва на всеки 500 работни часа.

### 10.5 Смяна на маслото (фигура 3, 10)

Изключете двигателя и извадете щепсела от контакта. Извадете пробката масло (16). След като сте изпуснали евентуално наличното налягане, можете да развиете пробката за източване на маслото (12) на компресорната помпа (13). За да не изтече маслото директно навън, поставете малка ваничка отдолу и напълнете маслото в съд. Ако не изтече цялото количество масло, трябва да наклоните леко компресора. След като маслото изтече, поставете отново пробката (12).

### Предайте старото масло в подходящ приемателен пункт за старо масло.

За да налеете правилното количество масло, имайте предвид, че компресорът трябва да бъде поставен върху равна повърхност. Налейте новото масло през отвора (20), докато достигнете до максималното ниво на маслото, което е обозначено с червена точка на наблюдателното стъкло (18) (фигура 11). Не превишавайте максималното количество. Препълването може да доведе до повреждане на уреда. Поставете пробката за маслото (16) отново в отвора за наливане на маслото (20).

### 10.6 Почистване на въздушен филтър (15) (фигура 3, 12, 13)

Въздушен филтър (15) предотвратява засмукването на прах и замърсявания. Трябва да почистите филтъра поне на всеки 300 работни часа. При запускане на въздушен филтъра мощността на компресора намалява значително. Отстранете въздушен филтъра (15), като развиете крилния винт (E). След това отстранете капака на филтъра (C). Можете да извадите въздушния филтър (F). Изтупайте внимателно въздушния филтър, капака и корпуса на филтъра. След това трябва да ги продухате със съгъстен въздух (около 3 бара) и да ги монтирате в обратна последователност.

## 10.7 Съхранение

### ⚠ Внимание!

Изключете щепсела, обезвъздушете уреда и всички свързани пневматични инструменти. Съхранявайте компресора така, че да не може да се използва от некомпетентни лица.

### ⚠ Внимание!

Съхранявайте компресора само в сухи помещения, недостъпни за некомпетентни лица. Не наклонявайте компресора. Съхранявайте го само в изправено положение! Маслото може да изтече!

### 10.7.1 Изпускане на излишното налягане

Изпуснете излишното налягане от компресора, като изключите компресора и като използвате сгъстения въздух, който се намира в резервоара, например с пневматичен инструмент на празен ход или с пистолет за продухване.

## 11. Изхвърляне и рециклиране

Уредът се намира в опаковка за предпазване от щети при транспортирането. Тази опаковка е суровина и може да се използва повторно или да се върне обратно в цикъла за преработка на суровините.

Уредът и неговите принадлежности се състоят от различни материали, като напр. метал и пластмаси. Предавайте дефектните елементи като специални отпадъци. Попитайте в специализирано предприятие или общинските власти!



Опаковката е изработена от екологични материали, които може да предадете за рециклиране по местоживееене.

За възможностите за изхвърляне на непотребния уред се информирайте от вашата общинска или градска управа.

## 12. Транспорт

Използвайте дръжката за транспортиране на компресора.

Наблюдавайте теглото при вдигане на компресора (виж Технически данни).

При транспортиране на компресора в моторно превозно средство, се гарантира добро обезопасяване на товара.

## 13. Отстраняване на неизправности

Неизправност	Възможна причина	Отстраняване
Компресорът не работи.	<ul style="list-style-type: none"><li>В електрическата мрежа няма напрежение.</li><li>Напрежението на електрическата мрежа е много ниско.</li><li>Външната температура е много ниска.</li><li>Двигателят е прегрял.</li></ul>	<ul style="list-style-type: none"><li>Проверете кабела, щепсела, предпазителя и контакта.</li><li>Не използвайте много дълги удължителни кабели. Използвайте удължителен кабел с достатъчно сечение.</li><li>Не използвайте компресора при външна температура под +5 °C.</li><li>Оставете двигателя да изстине и евентуално отстранете причината за прегряването.</li></ul>
Компресорът работи, но няма налягане.	<ul style="list-style-type: none"><li>Възвратният клапан (19) е неуплътнен.</li><li>Уплътненията са повредени.</li><li>Пробката за източване на кондензната вода (10) не е уплътнена</li></ul>	<ul style="list-style-type: none"><li>Сменете възвратния клапан (19).</li><li>Проверете уплътненията. Сменете повредените уплътнения в специализиран сервис.</li><li>Затегнете пробката с ръка. Проверете уплътнението на пробката, при необходимост го сменете.</li></ul>
Компресорът работи, манометърът отчита налягането, но инструментите не работят.	<ul style="list-style-type: none"><li>Съединенията на маркучите не са уплътнени.</li><li>Бързодействащият куплунг не е уплътнен.</li><li>На регулатора за налягането (5) е настроено много ниско налягане.</li></ul>	<ul style="list-style-type: none"><li>Проверете пневматичния маркуч и инструментите, при необходимост ги сменете.</li><li>Проверете бързодействащия куплунг, при необходимост го сменете.</li><li>Развийте регулатора за налягането.</li></ul>

## 14. ДОКУМЕНТ ЗА ГАРАНЦИЯ

### Уважаеми клиенти,

за този уред получавате **3 години гаранция** от датата на покупката. В случай на несъответствие на продукта с договора за продажба Вие имате законно право да предявите рекламация пред продавача на продукта при условията и в сроковете, определени в чл.112-115\* от Закона за защита на потребителите. Вашите права, произтичащи от посочените разпоредби, не се ограничават от нашата по-долу представена търговска гаранция и независимо от нея продавачът на продукта отговаря за липсата на съответствие на потребителската стока с договора за продажба съгласно Закона за защита на потребителите.

### Гаранционни условия

Гаранционният срок започва да тече от датата на покупката. Пазете добре оригиналната касова бележка. Този документ е необходим като доказателство за покупката. Ако в рамките на три години от датата на закупуване на този продукт се появи дефект на материала или производствен дефект, продуктът ще бъде безплатно ремонтиран или заменен – по наш избор. Гаранцията предполага в рамките на тригодишния гаранционен срок да се представят дефектния уред и касовата бележка (касовият бон) и писмено да се обясни в какво се състои дефектът и кога е възникнал. Ако дефектът е покрит от нашата гаранция, Вие ще получите обратно ремонтирания или нов продукт. С ремонта или смяната на продукта не започва да тече нов гаранционен срок.

### Гаранционен срок и законови претенции при дефекти

Гаранционната услуга не удължава гаранционния срок. Това важи също и за сменените и ремонтирани части. За евентуално наличните повреди и дефекти още при покупката трябва да се съобщи веднага след разопаковането. Евентуалните ремонти след изтичане на гаранционния срок са срещу заплащане.

### Обхват на гаранцията

Уредът е произведен грижливо според строгите изисквания за качество и добросъвестно изпитан преди доставка. Гаранцията важи за дефекти на материала или производствени дефекти. Гаранцията не обхваща частите на продукта, които подлежат на нормално износване, поради което могат да бъдат разглеждани като бързо износващи се части (например филтри или приставки) или повредите на чупливи части (например прекъсвачи, батерии или такива произведени от стъкло). Гаранцията отпада, ако уредът е повреден поради неправилно използване или в резултат на неосъществяване на техническа поддръжка. За правилната употреба на продукта трябва точно да се спазват всички указания в упътването за обслужване. Предназначение и действия, които не се препоръчват от упътването за експлоатация или за които то предупреждава, трябва задължително да се избягват. Продуктът е предназначен само за частна, а не за стопанска употреба. При злоупотреба и неправилно третиране, употреба на сила и при интервенции, които не са извършени от клона на нашия оторизиран сервиз, гаранцията отпада.

### Процедура при гаранционен случай

За да се гарантира бърза обработка на Вашия случай, следвайте следните указания:

- За всички запитвания подгответе касовата бележка и идентификационния номер (**IAN 292195**) като доказателство за покупката.
- Вземете артикулния номер от фабричната табелка.
- При възникване на функционални или други дефекти първо се свържете по телефона или чрез имейл с долупосочения сервизен отдел. След това ще получите допълнителна информация за уреждането на Вашата рекламация.
- След съгласуване с нашия сервиз можете да изпратите дефектния продукт на посочения Ви адрес на сервиза безплатно за Вас, като приложите касовата бележка (касовия бон) и посочите в какво се състои дефектът и кога е възникнал. За да се избегнат проблеми с приемането и допълнителни разходи, задължително използвайте само адреса, който Ви е посочен. Осигурете изпращането да не е като експресен товар или като друг специален товар. Изпратете уреда заедно с всички принадлежности, доставени при покупката, и осигурете достатъчно сигурна транспортна опаковка.

### Ремонтен сервиз / извънгаранционно обслужване

Ремонти извън гаранцията можете да възложите на клона на нашия сервиз срещу заплащане. Той с удоволствие ще Ви направи предварителна калкулация. Можем да обработваме само уреди, които са достатъчно опаковани и изпратени с платени транспортни разходи.

**Внимание:** Изпратете Вашия уред на клона на нашия сервиз почистен и с указание за дефекта.

Уредите, изпратени с неплатени транспортни разходи – с наложен платеж, като експресен или друг специален товар – не се приемат.

Ние ще извършим безплатно изхвърлянето на изпратените от Вас дефектни уреди.



## Сервизно обслужване

### България

Тел.: +800 4003 4003

Е-мейл: [service.BG@scheppach.com](mailto:service.BG@scheppach.com)

IAN 285200

Адрес на сервиз (BG):

**Provita-92 SD**

**Teofan Tainov Str.45**

**4300 Karlovo / Bulgaria**

Моля, обърнете внимание, че следващият адрес не е адрес на сервиза.

Първо се свържете с горепосочения сервизен център.

ОВИМ ГмБХ & Ко.КГ

Щифтсбергщрасе 1

74167 Некарсулм

Германия

\* Чл. 112. (1) При несъответствие на потребителската стока с договора за продажба потребителят има право да предяви рекламация, като поиска от продавача да приведе стоката в съответствие с договора за продажба. В този случай потребителят може да избира между извършване на ремонт на стоката или замяната ѝ с нова, освен ако това е невъзможно или избраният от него начин за обезщетение е непропорционален в сравнение с другия.

(2) Смята се, че даден начин за обезщетяване на потребителя е непропорционален, ако неговото използване налага разходи на продавача, които в сравнение с другия начин на обезщетяване са неразумни, като се вземат предвид:

1. стойността на потребителската стока, ако нямаше липса на несъответствие;
2. значимостта на несъответствието;
3. възможността да се предложи на потребителя друг начин на обезщетяване, който не е свързан със значителни неудобства за него.

Чл. 113. (1) Когато потребителската стока не съответства на договора за продажба, продавачът е длъжен да я приведе в съответствие с договора за продажба.

(2) Привеждането на потребителската стока в съответствие с договора за продажба трябва да се извърши в рамките на един месец, считано от предявяването на рекламацията от потребителя.

(3) След изтичането на срока по ал. 2 потребителят има право да развали договора и да му бъде възстановена заплатената сума или да иска намаляване на цената на потребителската стока съгласно чл. 114.

(4) Привеждането на потребителската стока в съответствие с договора за продажба е безплатно за потребителя. Той не дължи разходи за експедиране на потребителската стока или за материали и труд, свързани с ремонта ѝ, и не трябва да понася значителни неудобства.

(5) Потребителят може да иска и обезщетение за претърпените вследствие на несъответствието вреди.

Чл. 114. (1) При несъответствие на потребителската стока с договора за продажба и когато потребителят не е удовлетворен от решаването на рекламацията по чл. 113, той има право на избор между една от следните възможности: 1. разваляне на договора и възстановяване на заплатената от него сума; 2. намаляване на цената.

(2) Потребителят не може да претендира за възстановяване на заплатената сума или за намаляване цената на стоката, когато търговецът се съгласи да бъде извършена замяна на потребителската стока с нова или да се поправи стоката в рамките на един месец от предявяване на рекламацията от потребителя.

(3) Търговецът е длъжен да удовлетвори искане за разваляне на договора и да възстанови заплатената от потребителя сума, когато след като е удовлетворил три рекламации на потребителя чрез извършване на ремонт на една и съща стока, в рамките на срока на гаранцията по чл. 115, е налице следваща поява на несъответствие на стоката с договора за продажба. (4) (Преишна ал. 3 - ДВ, бр. 61 от 2014 г., в сила от 25.07.2014 г.) Потребителят не може да претендира за разваляне на договора, ако несъответствието на потребителската стока с договора е незначително.

Чл. 115. (1) Потребителят може да упражни правото си по този раздел в срок до две години, считано от доставянето на потребителската стока.

(2) Сроктът по ал. 1 спира да тече през времето, необходимо за поправката или замяната на потребителската стока или за постигане на споразумение между продавача и потребителя за решаване на спора.

(3) Упражняването на правото на потребителя по ал. 1 не е обвързано с никакъв друг срок за предявяване на иск, различен от срока по ал. 1.

Περιεχόμενα:	Σελίδα:
1. Εισαγωγή	43
2. Περιγραφή της συσκευής	43
3. Παραδοτέο υλικό	43
4. Ενδεδειγμένη χρήση	44
5. Υποδείξεις ασφαλείας	44
6. Τεχνικά χαρακτηριστικά	46
7. Πριν τη θέση σε λειτουργία	46
8. Τοποθέτηση και χειρισμός	47
9. Ύνδεση στο ηλεκτρικό ρεύμα	47
10. Καθαρισμός, συντήρηση και αποθήκευση	48
11. Διάθεση στα απορρίμματα και επαναχρησιμοποίηση	49
12. Μεταφορά	49
13. Αντιμετώπιση προβλημάτων	50
14. Εγγυηση	51
15. Δήλωση συμμόρφωσης	61

## 1. εισαγωγή

### ΚΑΤΑΣΚΕΥΑΣΤΗΣ:

**schepbach**

Fabrikation von Holzbearbeitungsmaschine GmbH  
Günzburger Straße 69  
D-89335 Ichenhausen

### ΑΞΙΟΤΙΜΕ ΠΕΛΑΤΗ,

Σας ευχόμαστε πολλή ευχαρίστηση και καλή επιτυχία κατά την εργασία με τη νέα σας συσκευή.

### ΣΥΜΒΟΥΛΗ:

Σύμφωνα με την υφιστάμενη νομοθεσία περί ευθύνης προϊόντος, ο κατασκευαστής αυτής της συσκευής δεν ευθύνεται για ζημιές που προκύπτουν από ή σε σχέση με αυτή τη συσκευή σε περίπτωση:

- ανάρμοστου χειρισμού,
- μη συμμόρφωσης με τις οδηγίες χρήσης,
- επισκευών από τρίτους, μη εξουσιοδοτημένων εξειδικευμένων εργατών,
- εγκατάστασης και αντικατάστασης μη-αυθεντικών ανταλλακτικών,
- ανάρμοστης χρήσης,
- βλαβών του ηλεκτρικού συστήματος λόγω της μη συμμόρφωσης με τις ηλεκτρικές προδιαγραφές και τους κανονισμούς VDE0100, DIN 57113 / VDE 0113.

### Συστάσεις:

Διαβάστε ολόκληρο το κείμενο των οδηγιών λειτουργίας πριν από τη συναρμολόγηση και τη λειτουργία της συσκευής.

Αυτές οι οδηγίες λειτουργίας προορίζονται να σας διευκολύνουν να εξοικειωθείτε με τη συσκευή σας και να χρησιμοποιήσετε όλες τις δυνατότητες για τις οποίες προορίζεται.

Οι οδηγίες λειτουργίας περιέχουν σημαντικές σημειώσεις για το πώς να εργαστείτε με ασφάλεια, κατάλληλα και οικονομικά με τη μηχανή σας και πώς να αποφύγετε κινδύνους, να εξοικονομήσετε δαπάνες επισκευής, να μειώσετε το χρόνο διακοπής και να αυξήσετε την αξιοπιστία και τη διάρκεια ζωής της μηχανής.

Εκτός από τους κανονισμούς ασφάλειας που περιλαμβάνονται στο παρόν, πρέπει εν πάση περιπτώσει να συμμορφωθείτε με τους εφαρμοστέους κανονισμούς της χώρας σας όσον αφορά στη λειτουργία της μηχανής.

Τοποθετήστε τις οδηγίες λειτουργίας σε ένα διαφανή πλαστικό φάκελο ώστε να τις προστατεύσετε από ρύπους και υγρασία και αποθηκεύστε τις κοντά στη μηχανή. Οι οδηγίες πρέπει να διαβαστούν και να τηρούνται προσεκτικά από κάθε χειριστή πριν από την εκκίνηση της εργασίας. Μόνο τα πρόσωπα που έχουν εκπαιδευθεί ως προς τη χρήση της μηχανής και έχουν ενημερωθεί για τους σχετικούς κινδύνους και απειλές έχουν την άδεια να χρησιμοποιήσουν τη μηχανή. Η απαραίτητη ελάχιστη ηλικία πρέπει να πληρείται.

Εκτός από τις σημειώσεις ασφάλειας που περιλαμβάνονται στις παρούσες οδηγίες λειτουργίας και τους ιδιαίτερους κανονισμούς της χώρας σας, πρέπει να τηρούνται οι γενικά αναγνωρισμένοι τεχνικοί κανόνες για τη λειτουργία ξυλουργικών μηχανών. Δεν αναλαμβάνουμε καμία ευθύνη για ατυχήματα ή ζημιές που θα προκύψουν από μη τήρηση αυτών των οδηγιών και των υποδείξεων ασφάλειας.

## 2. Περιγραφή της συσκευής (εικ. 1-13)

1. Λαβή μεταφοράς
2. Διακόπτης πίεσης
3. Ταχυσύνδεσμος (ρυθμισμένος πεπιεσμένος αέρας)
4. Μανόμετρο (μπορεί να αναγνωστεί η ρυθμισθείσα πίεση)
5. Ρυθμιστής πίεσης
6. Μανόμετρο (Πίεση λέβητα μπορεί να διαβαστεί)
7. Ταχυσύνδεσμος (αχρόνιστος πεπιεσμένος αέρας)
8. Δοχείο πίεσης
9. Βάση
10. Βίδα εκκένωσης για συμπύκνωμα νερού
11. Τροχός
12. Βίδα εκκένωσης λαδιού
13. Αντλία συμπίεστη
14. Σωλήνας πεπιεσμένου αέρα
15. Φίλτρο αέρα
16. Πώμα στομίου λαδιού
17. Διακόπτης ενεργοποίησης/απενεργοποίησης
18. Παράθυρο ελέγχου στάθμης λαδιού
19. Βαλβίδα ασφαλείας
20. Στόμιο πλήρωσης λαδιού
21. Βίδα φλάντζα
22. Подложни шайби
23. Шестоъгълните гайки
24. Шестоъгълните гайки φλάντζα
25. Βίδα
26. άλεν Βίδα
27. κλειδί άλεν 5 mm

## 3. Παραδοτέο υλικό

- 1x Λαβή μεταφοράς
- 1x Φίλτρο αέρα
- 2x Βίδα εκκένωσης για συμπύκνωμα νερού
- 2x Τροχός
- 1x Πώμα στομίου λαδιού
- 1x Σωλήνας πεπιεσμένου αέρα
- 1x κλειδί άλεν 5 mm
- 1x οδηγίες χειρισμού

- Ανοίξτε τη συσκευασία και αφαιρέστε προσεκτικά τη συσκευή.
- Απομακρύνετε το υλικό συσκευασίας καθώς και τις ασφάλειες συσκευασίας/και μεταφοράς (εφόσον υπάρχουν).
- Ελέγξτε εάν είναι πλήρης η παράδοση.

- Ελέγξτε τη συσκευή και τα αξεσουάρ για τυχόν ζημιές από τη μεταφορά.
- Φυλάξτε τη συσκευασία κατά το δυνατό μέχρι τη λήξη της εγγύησης.

#### **ΠΡΟΣΟΧΗ!**

**Η συσκευή και τα υλικά συσκευασίας δεν είναι παιχνίδια! Τα παιδιά δεν επιτρέπεται να παίξουν με πλαστικές σακούλες, πλαστικές μεμβράνες και μικροαντικείμενα! Υφίσταται κίνδυνος κατάποσης και ασφυξίας!**

#### **4. Ενδειγμένη χρήση**

Ο συμπιεστής προορίζεται για την παραγωγή πεπιεσμένου αέρα για εργαλεία που λειτουργούν με πεπιεσμένο αέρα και που μπορούν να λειτουργήσουν με ποσότητα αέρα έως περ. 260 l/min. (π.χ. συσκευές πλήρωσης ελαστικών, πιστόλια φυσίματος και πιστόλια για ψεκασμό βαφής). Λόγω της περιορισμένης ποσότητας μεταφοράς αέρα δεν είναι δυνατή η λειτουργία εργαλείων με πολύ μεγάλη κατανάλωση αέρα (π.χ. λειαντήρα ταλάντωσης, λειαντήρα με ράβδο και κρουστικό κατσαβίδι).

Η μηχανή επιτρέπεται να χρησιμοποιηθεί μόνο για τον σκοπό για τον οποίο προορίζεται. Κάθε πέραν τούτου χρήση δεν ανταποκρίνεται στο σκοπό για τον οποίο προορίζεται. Για βλάβες που οφείλονται σε παρόμοια χρήση ή για τραυματισμούς παντός είδους ευθύνεται ο χρήστης/χειριστής και όχι ο κατασκευαστής.

Παρακαλούμε να προσέξετε πως οι συσκευές μας δεν προορίζονται και δεν έχουν κατασκευαστεί για επαγγελματική, βιοτεχνική ή βιομηχανική χρήση. Δεν αναλαμβάνουμε εγγύηση σε περίπτωση κατά την οποία η συσκευή χρησιμοποιήθηκε σε συνεργεία, βιοτεχνίες ή στη βιομηχανία ή σε εργασίες παρόμοιες με αυτές.

#### **5. Υποδείξεις ασφαλείας**

**Δ Προσοχή!** Κατά τη χρήση ηλεκτρικών εργαλείων πρέπει να τηρείτε τα εξής βασικά μέτρα ασφαλείας, για προστασία από ηλεκτροπληξία και από κίνδυνο τραυματισμού και φωτιάς. Διαβάστε όλες αυτές τις υποδείξεις πριν χρησιμοποιήσετε αυτό το ηλεκτρικό εργαλείο και φυλάξτε καλά τις υποδείξεις ασφαλείας.

**Δ Προσοχή!** Κατά την χρήση αυτού του συμπιεστή πρέπει για την προστασία σας από ηλεκτροπληξία, τραυματισμό και πυρκαγιά να προσέξετε τις ακόλουθες βασικές υποδείξεις ασφαλείας. Παρακαλούμε να διαβάσετε και να προσέξετε τις υποδείξεις πριν χρησιμοποιήσετε τη συσκευή.

##### **Ασφάλεια κατά την εργασία**

- 1 Να κρατάτε τη θέση εργασίας πάντα τακτική.
  - Μία όχι τακτική θέση εργασίας προακαλεί κινδύνους ατυχημάτων.

- 2 Να λάβετε υπόψη τις επιδράσεις του περιβάλλοντος
  - Μην εκθέτετε ηλεκτρικές συσκευές σε βροχή.
  - Ποτέ μη χρησιμοποιείτε τα ηλεκτρικά εργαλεία σε υγρό περιβάλλον. Υφίσταται κίνδυνος ηλεκτροπληξίας!
  - Φροντίστε για καλό φωτισμό.
  - Μη χρησιμοποιείτε ηλεκτρικά εργαλεία σε περιβάλλον όπου υπάρχει κίνδυνος φωτιάς και έκρηξης.
- 3 Προστατέψτε τον εαυτό σας από ηλεκτροπληξία
  - Να αποφεύγετε κάθε επαφή του σώματος με γειωμένα εξαρτήματα, για παράδειγμα με σωλήνες, καλοριφέρ, εστίες, ψυγεία.
- 4 Να κρατάτε μακριά τα παιδιά!
  - Μην αφήνετε άλλα άτομα να έρχονται σε επαφή με το εργαλείο ή το καλώδιο, κρατάτε τα μακριά από την περιοχή εργασίας. Να φυλάγετε.
- 5 Να φυλάγετε τα εργαλεία σας σε ασφαλές μέρος
  - Όταν δεν χρησιμοποιείτε τα εργαλεία, να τα φυλάγετε σε στεγνό χώρο που κλειδώνεται, μακριά από παιδιά.
- 6 Μην υπερφορτώνετε τα εργαλεία σας
  - Εργάζεστε καλύτερα και ασφαλέστερα στο αναφερόμενο πεδίο ισχύος.
- 7 Να φοράτε πάντα τον κατάλληλο ρουχισμό εργασίας
  - Μη φοράτε φαρδιά ρούχα ή κοσμήματα. Θα μπορούσαν να πιαστούν από κινούμενα τμήματα.
  - Σε εργασίες στο ύπαιθρο συνιστώνται λαστιχένια γάντια και αντιολισθητικά παπούτσια.
  - Εάν έχετε μακριά μαλλιά να φοράτε ένα δίχτυ.
- 8 Μην χρησιμοποιείτε το καλώδιο για άλλο σκοπό
  - Μη μεταφέρετε το καλώδιο κρατώντας από αυτό τη συσκευή, και μη το χρησιμοποιείτε για να τραβήξετε το βύσμα από την πρίζα. Να προστατεύετε το καλώδιο από ψηλές θερμοκρασίες, λάδι και αιχμηρά αντικείμενα.
- 9 Να περιποιήστε τα εργαλεία σας
  - Να διατηρείτε τα εργαλεία σας ακονισμένα και Να κρατάτε τον συμπιεστή πάντα καθαρό για να εργάζεστε με ασφάλεια.
  - Να τηρείτε τις προδιαγραφές συντήρησης.
  - Να ελέγχετε τακτικά το βύσμα και το καλώδιο και σε περίπτωση ελαττωμάτων να αντικαθίστανται από αναγνωρισμένο και ειδικευμένο τεχνίτη.
  - Να ελέγχετε τακτικά το καλώδιο επέκτασης (μπαλαντέζα) που να αντικαθίσταται εάν είναι ελαττωματικό.
- 10 Να αφαιρείτε το φισ από την πρίζα
  - Όταν δεν χρησιμοποιείτε το ηλεκτρικό εργαλείο, πριν τη συντήρηση και κατά την αλλαγή εργαλείων όπως π.χ. λάμας πριονιού, τρυπανιού, φρέζας.

- 11 Να αποφεύγετε αθέλητη έναρξη λειτουργίας
  - Να βεβαιώνετε ότι ο διακόπτης είναι απενεργοποιημένος κατά τη σύνδεση του φως στην πρίζα.
- 12 Να χρησιμοποιείτε καλώδιο επέκτασης κατάλληλο για εξωτερικό χώρο
  - Σε εξωτερικούς χώρους να χρησιμοποιείτε καλώδιο επέκτασης που είναι εγκεκριμένο και κατάλληλα επισημασμένο για αυτή τη χρήση.
  - Να χρησιμοποιείτε μπαλαντέζες μόνον αφού έχετε ξετυλίξει πλήρως το καλώδιο.
- 13 Να είστε προσεκτικοί
  - Προσέχετε κάθε σας ενέργεια. Να εκτελείτε τις εργασίες βάσει της λογικής. Μη χρησιμοποιείτε το ηλεκτρικό εργαλείο όταν δεν έχετε αυτοσυγκέντρωση.
- 14 Να ελέγχετε τη συσκευή σας για ενδεχόμενες βλάβες
  - Πριν από περαιτέρω χρήση του εργαλείου να ελέγχονται προσεκτικά τα συστήματα ασφαλείας ή ελαφρά ελαττωματικά τμήματα για την άψογη λειτουργία τους σύμφωνα με το σκοπό για τον οποίο προορίζονται.
  - Ελέγξτε εάν λειτουργούν άψογα και δεν μπλοκάρουν όλα τα κινούμενα τμήματα ή εάν ορισμένα τμήματα έχουν ζημιές. Όλα τα τμήματα πρέπει να είναι σωστά τοποθετημένα ώστε να εξασφαλίζεται η ασφάλεια της συσκευής.
  - Τα ελαττωματικά συστήματα ασφαλείας και τα ελαττωματικά εξαρτήματα πρέπει να επισκευάζονται ή να αντικαθίστανται σωστά από αναγνωρισμένο εξειδικευμένο συνεργείο εάν δεν αναφέρεται κάτι διαφορετικό στις Οδηγίες χρήσης.
  - Οι ελαττωματικοί διακόπτες να αντικαθίστανται σε συμβεβλημένο συνεργείο.
  - Δεν επιτρέπεται η στερέωση του κινητού καλύμματος προστασίας στην ανοικτή θέση.
  - Μη χρησιμοποιείτε εργαλεία, στα οποία ο διακόπτης δεν ενεργοποιείται και δεν απενεργοποιείται.
- 15 Αναθέτετε τις επισκευές του ηλεκτρικού σας εργαλείου σε εξειδικευμένο ηλεκτρολόγο
  - Αυτό το εργαλείο ανταποκρίνεται στις σχετικές διατάξεις ασφαλείας. Οι επισκευές επιτρέπεται να εκτελούνται μόνο από ειδικευμένους ηλεκτρολόγους, διαφορετικά δεν αποκλείονται τραυματισμοί του χειριστή.
- 16 Προσοχή!
  - Για τη δική σας ασφάλεια να χρησιμοποιείτε μόνο εξαρτήματα και πρόσθετες συσκευές που αναφέρονται στην Οδηγία χρήσης ή που συνιστώνται ή αναφέρονται από τον κατασκευαστή. Η χρήση άλλων εργαλείων ή εξαρτημάτων από αυτών που αναφέρονται στις Οδηγίες χρήσης ή στον κατάλογο μπορούν να αποτελέσουν κίνδυνο για τη σωματική σας ακεραιότητα.

- 17 Θόρυβος
  - Κατά τη χρήση του συμπιεστή να φοράτε ωτοασπίδες.
- 18 Αλλαγή του καλωδίου
  - Εάν πάθει βλάβη το καλώδιο πρέπει να αντικατασταθεί από τον κατασκευαστή ή ηλεκτρολόγο προς αποφυγή κινδύνου. Υφίσταται κίνδυνος ηλεκτροπληξίας!
- 19 Φούσκωμα ελαστικών
  - Να ελέγχετε με κατάλληλο μανόμετρο την πίεση των ελαστικών μετά το φούσκωμα π.χ. σε πρατήριο βενζίνης.
- 20 Κινούμενοι συμπιεστές για λειτουργία σε εργοτάξια
  - Να προσέχετε να είναι όλοι οι σωλήνες και οι μπαταρίες κατάλληλοι για την μέγιστη επιτρεπτή πίεση.
- 21 Σημείο τοποθέτησης
  - Να τοποθετείτε το συμπιεστή σε επίπεδη επιφάνεια.
- 22 Οι σωλήνες προσαγωγής σε πιέσεις άνω των 7 bar να εξοπλίζονται με καλώδιο ασφαλείας (π. χ. με σύρμα).

## ΠΡΟΣΘΕΤΕΣ ΥΠΟΔΕΙΞΕΙΣ ΑΣΦΑΛΕΙΑΣ

### Υποδείξεις ασφαλείας για εργασία με πεπιεσμένο αέρα και πιστόλια

- Οι αντλίες συμπιεστή και οι αγωγοί φτάνουν κατά τη λειτουργία ψηλές θερμοκρασίες. Επαφή μπορεί να προκαλέσει εγκαύματα.
- Ο αέρας που απορροφάται από τον συμπιεστή να είναι ελεύθερος από πρόσθετες ουσίες που στην αντλία θα μπορούσαν να προκαλέσουν πυρκαγιές και εκρήξεις.
- Κατά το λύσιμο του συνδέσμου του σωλήνα να κρατάτε το σύνδεσμο του σωλήνα με το χέρι. Έτσι αποφεύγετε τραυματισμούς από αντίκρουση του σωλήνα.
- Σε εργασίες με το πιστόλι φυσήματος αέρα να φοράτε προστατευτικά γυαλιά. Από ξένα υλικά και με φύσημα καθαριζόμενα σωματίδια μπορεί να προκαλέσουν τραυματισμούς.
- Μη τείνετε το πιστόλι προς άλλα άτομα και μη καθαρίζετε ρούχα πάνω στο σώμα σας. Κίνδυνος τραυματισμού!

### Υποδείξεις ασφαλείας κατά το ψεκασμό βαφής

- Μην επεξεργάζεστε βαφές ή διαλύτες με σημείο ανάφλεξης κάτω των 55°C. Κίνδυνος έκρηξης!
- Μην θερμαίνετε τις βαφές και τους διαλύτες. Κίνδυνος έκρηξης!
- Εάν γίνεται επεξεργασία υγρών επιβλαβών για την υγεία, απαιτείται για την προστασία η χρήση συσκευών φίλτρου (μάσκες προσώπου). Ακολουθήστε τις σχετικές υποδείξεις των κατασκευαστών παρόμοιων υλικών για μέτρα ασφαλείας.
- Να ακολουθούνται τα στοιχεία και οι σημάνσεις του Κώδικα Επικίνδυνων υλικών που αναφέρονται στις εξωτερικές συσκευασίες των επεξεργαζόμενων υλικών.

Ενδεχομένως να ληφθούν πρόσθετα μέτρα ασφαλείας, ιδιαίτερα να χρησιμοποιηθούν κατάλληλα ρούχα και μάσκες.

- Κατά τη διάρκεια του ψεκασμού και στο χώρο εργασίας απαγορεύεται το κάπνισμα. Κίνδυνος έκρηξης! Και οι ατμοί των βαφών είναι εύφλεκτοι.
- Δεν επιτρέπεται πηγές φωτιάς, ανοικτό φως ή να χρησιμοποιούνται σπινθηροβόλουσες μηχανές .
- Απαγορεύεται η φύλαξη τροφίμων και ποτών και η χρήση τους στο χώρο εργασίας. Οι ατμοί των βαφών είναι επιβλαβείς για την υγεία.
- Ο χώρος εργασίας πρέπει να είναι μεγαλύτερος από 30 κυβικά μέτρα και να εξασφαλίζεται επαρκής ανταλλαγή αέρα κατά τον ψεκασμό και το στέγνωμα. Μη ψεκάζετε απέναντι στον αέρα. Να ακολουθείτε κατά τον ψεκασμό εύφλεκτων ή Επικίνδυνων υλικών τις τοπικές διατάξεις της αστυνομίας.
- Σε συνδυασμό με τον σωλήνα πίεσης από PVC να μην επεξεργάζεστε υλικά όπως δοκιμαστική βενζίνη, βουτυλική αλκοόλη και χλωρίδιο μεθυλενίου. Αυτά τα υλικά καταστρέφουν το σωλήνα.

#### Λειτουργία δοχείων πίεσης

- Όποιος λειτουργεί δοχείο πίεσης πρέπει να φροντίζει να το διατηρεί σε άψογη κατάσταση και σωστά, να το παρακολουθεί και να λαμβάνει άμεσα τα αναγκαία μέτρα επισκευής και συντήρησης και τα απαραίτητα μέτρα ασφαλείας.
- Σε ορισμένες περιπτώσεις μπορεί η εποπτεύουσα Αρχή να διατάξει μέτρα επόπτευσης.
- Δεν επιτρέπεται η λειτουργία δοχείου πίεσης, εάν είναι ελαττωματικό ή εάν αποτελεί κίνδυνο για τους χειριστές ή άλλα τρίτα πρόσωπα.
- Να ελέγχετε το δοχείο πίεσης πριν από κάθε λειτουργία για σκουριά και βλάβες. Ο συμπιεστής δεν επιτρέπεται να λειτουργεί με ελαττωματικό ή σκουριασμένο δοχείο πίεσης. Εάν διαπιστώσετε βλάβες, επικοινωνήστε με το συνεργείο εξυπηρέτησης πελατών.

#### Να φυλάξετε καλά αυτές τις Οδηγίες χρήσης.

#### Υπολειπόμενου κινδύνου

Τηρείτε τις καθορισμένες οδηγίες συντήρησης και ασφάλειας στις οδηγίες χρήσης. Πάντα να είστε προσεκτικοί κατά την εργασία και να κρατήσετε τρίτα πρόσωπα σε ασφαλή απόσταση από το χώρο εργασίας σας.

Ακόμη και με τη σωστή χρήση της συσκευής, ένας ορισμένος υπολειπόμενος κίνδυνος παραμένει, το οποίο δεν μπορεί να αποκλειστεί. Τα ακόλουθα πιθανοί κίνδυνοι μπορούν να προέλθουν από τον τύπο και το σχεδιασμό της συσκευής:  
ακούσια θέση σε λειτουργία του προϊόντος.  
Η απώλεια της ακοής εάν έχει φθαρεί δεν κατάλληλη προστασία της ακοής.

Φοράτε γυαλιά ασφαλείας για να αποτρέψετε τα μάτια σας και να αντιμετωπίσει από τη σκόνη και τη βρωμιά σωματίδια.

Η εισπνοή στροβιλίζονται-υρ σκόνη και βρωμιά σωματίδια.

## 6. Τεχνικά χαρακτηριστικά

Ηλεκτρική τροφοδοσία	220 - 240 V ~ 50 Hz
Ισχύς κινητήρα W	1800
Είδος λειτουργίας	S1
Αριθμός στροφών συμπίεστή	2850 min <sup>-1</sup>
Όγκος δοχείου πίεσης (σε λίτρα)	περ. 50
Πίεση λειτουργίας	περ. 10 bar
Θεωρ. ισχύς αναρρόφησης (l/min)	περ. 260
Στάθμη ακουστικής ισχύος L <sub>WA</sub>	97 dB(A)
Αβεβαιότητα K <sub>WA</sub>	2,22 dB
Είδος προστασίας	IP20
Βάρος συσκευής σε kg	περ. 34
Λάδι (15W 40) l	περ. 0,4
Μέγιστο υψόμετρο (πάνω από το επίπεδο της θάλασσας)	1000 m

Οι τιμές για τις εκπομπές θορύβου εξακριβώθηκαν σύμφωνα με το πρότυπο EN ISO 3744:1995.

#### Φοράτε ωτασπίδες.

Η επίδραση του θορύβου ενδέχεται να προκαλέσει απώλεια ακοής.

## 7. Πριν τη θέση σε λειτουργία

Πριν τη σύνδεση σιγουρευτείτε πως τα στοιχεία στην ετικέτα του συμφωνούν με τα στοιχεία του δικτύου.

- Ελέγξτε τη συσκευή για ζημιές από τη μεταφορά. Ενδεχόμενες ζημιές να δηλωθούν αμέσως στη μεταφορική εταιρεία με την οποία παραδόθηκε ο συμπιεστής.
- Ο συμπιεστής να τοποθετείται κοντά στον καταναλωτή.
- Να αποφεύγονται μακριοί αγωγοί αέρα και καλώδια επέκτασης (μπαλαντέζες).
- Να προσέχετε για καθαρό και στεγνό αέρα αναρρόφησης.
- Μη τοποθετείτε τον συμπιεστή σε υγρό χώρο.
- Ο συμπιεστής να λειτουργεί μόνο σε κατάλληλους χώρους (με καλό αερισμό, θερμοκρασία +5°C bis 40°C). Στο χώρο αυτό να μην υπάρχει σκόνη, ούτε οξέα, ατμοί, εκρηκτικά ή αναφλέξιμα αέρια.
- Ο συμπιεστής είναι κατάλληλος για χρήση σε στεγνούς χώρους. Σε σημεία όπου εκτελούνται εργασίες με πισιλιίσματα νερού, δεν επιτρέπεται η χρήση του συμπιεστή.

- Πριν τη θέση σε λειτουργία πρέπει να ελεγχθεί η στάθμη του λαδιού στην αντλία του συμπιεστή.

## 8. Τοποθέτηση και χειρισμός

### ⚠ Προσοχή!

**Πριν τη θέση σε λειτουργία πρέπει να έχει συναρμολογηθεί πλήρως η συσκευή!**

Για τη συναρμολόγηση χρειάζεστε:

1 x διπλά κλειδιά 12 mm, 13 mm, 14 mm (δεν συμπαράδονται)

### 8.1 Τοποθέτηση των τροχών (Εικ. 4)

- Τοποθετήστε τους συμπαραδιδόμενους τροχούς όπως φαίνεται στην εικόνα.

### 8.2 Συναρμολόγηση της βάσης (Εικ. 4,5)

- Τοποθετήστε τη συμπαραδιδόμενη βάση όπως φαίνεται στην εικόνα.

### 8.3 Συναρμολόγηση της Λαβή μεταφοράς (Εικ. 6)

- Τοποθετήστε τη Λαβή μεταφοράς όπως φαίνεται στην εικόνα.

### 8.4 Τοποθέτηση του φίλτρου αέρα (Εικ. 7,8)

- Αφαιρέστε το πώμα μεταφοράς (B) και βιδώστε καλά το φίλτρο αέρα (15) στη συσκευή.

### 8.5 Αντικατάσταση του καλύμματος μεταφοράς (A) (Εικ. 9,10)

- Με ένα κατσαβίδι αφαιρέστε το κάλυμμα μεταφοράς από το στόμιο πλήρωσης λαδιού (20) και τοποθετήστε στην οπή πλήρωσης λαδιού το συμπαραδιδόμενο πώμα του στομίου του λαδιού (16).

### 8.6 Σύνδεση δικτύου

- Ο συμπιεστής είναι εξοπλισμένος με ένα καλώδιο με βύσμα σούκο. Μπορεί να συνδεθεί σε οποιαδήποτε πρίζα σούκο 220-240V ~ 50 Hz με ασφάλεια 16 A.
- Πριν τη θέση σε λειτουργία να προσέξετε να συμφωνεί η τάση δικτύου με την τάση λειτουργίας σύμφ. με την πινακίδα της μηχανής
- Μακριά καλώδια επέκτασης και μπαλαντέζες, κλπ. προκαλούν μείωση της τάσης και μπορεί να εμποδίσουν την εκκίνηση του κινητήρα.
- Σε χαμηλές θερμοκρασίες κάτω των +5°C δεν αποκλείεται να μην παίρνει καλά μπροστά ο κινητήρας.

### 8.7 Διακόπτης ενεργοποίησης/ απενεργοποίησης (Εικ. 2)

- Για την ενεργοποίηση του συμπιεστή τραβιέται ο διακόπτης ενεργοποίησης/ απενεργοποίησης (17) προς τα επάνω. Για την απενεργοποίηση πιέζεται ο διακόπτης ενεργοποίησης/απενεργοποίησης προς τα κάτω.

### 8.8 Ρύθμιση διακόπτη πίεσης: (Εικ. 1,3)

- Με τον ρυθμιστή πίεσης (5) μπορείτε να ρυθμίσετε την πίεση στο μανόμετρο (4).
- Η ρυθμισθείσα πίεση προκύπτει από τον ταχυσύνδεσμο (3).
- Στο μανόμετρο (6) διαβάζεται η πίεση του λέβητα.
- Η πίεση του λέβητα προκύπτει από τον ταχυσύνδεσμο (7).

### 8.9 Ρύθμιση διακόπτη πίεσης (Εικ. 1)

- Ο διακόπτης πίεσης (2) έχει ρυθμιστεί από το εργοστάσιο.  
Πίεση ενεργοποίησης σε περ. 8 bar  
Πίεση απενεργοποίησης σε περ. 10 bar.

### 8.10 Συναρμολόγηση του σωλήνα πεπιεσμένου αέρα (Εικ. 1,3)

- Για εργασίες σε μεγαλύτερη απόσταση από τον συμπιεστή μπορεί να χρησιμοποιηθεί ο σωλήνας πεπιεσμένου αέρα (14). Για το σκοπό αυτό συνδέστε τη γλώσσα (H) του σωλήνα πεπιεσμένου αέρα σε έναν ταχυσύνδεσμο (3, 7). Κατόπιν συνδέστε το εργαλείο πεπιεσμένου αέρα στον ταχυσύνδεσμο (I) του σωλήνα πεπιεσμένου αέρα.

## 9. ύνδεση στο ηλεκτρικό ρεύμα

**Ο εγκατεστημένος ηλεκτροκινητήρας έχει συνδεθεί ώστε να είναι έτοιμος για λειτουργία. Η σύνδεση συμμορφώνεται με τις ισχύουσες διατάξεις VDE και DIN. Η σύνδεση στο δίκτυο από την πλευρά του πελάτη καθώς και το χρησιμοποιούμενο καλώδιο επέκτασης πρέπει να συμμορφώνονται με αυτές τις προδιαγραφές.**

### Σημαντικές υποδείξεις

Σε περίπτωση υπερφόρτωσης του μοτέρ, αυτό απενεργοποιείται αυτόματα. Μετά από κάποιο χρόνο ψύξης (μεταβλητής διάρκειας) το μοτέρ μπορεί να ενεργοποιηθεί πάλι.

### Βλάβη στο καλώδιο ηλεκτρικής σύνδεσης

Στα καλώδια ηλεκτρικής σύνδεσης συχνά προκύπτουν ζημιές στη μόνωση.

Οι σχετικές αιτίες μπορεί να είναι:

- Θέσεις πίεσης, όταν καλώδια σύνδεσης περνούν μέσα από διάκενα παραθύρου ή πόρτας.
- Θέσεις τσακίσματος λόγω ακατάλληλης στερέωσης ή διέλευσης του καλωδίου σύνδεσης.
- Θέσεις διακοπής συνέχειας λόγω κοψίματος του καλωδίου σύνδεσης.
- Ζημιές στη μόνωση λόγω τραβήγματος από την πρίζα του τοίχου.
- Σχισίματα λόγω γήρανσης της μόνωσης.

Καλώδια ηλεκτρικής σύνδεσης με τέτοιες ζημιές δεν επιτρέπεται να χρησιμοποιηθούν και αποτελούν κίνδυνο για τη ζωή, λόγω των ζημιών στη μόνωση. Ελέγχετε τακτικά τα καλώδια ηλεκτρικής σύνδεσης για τυχόν ζημιές. Προσέχετε ώστε κατά τον έλεγχο το καλώδιο σύνδεσης να μην είναι συνδεδεμένο στο δίκτυο ρεύματος.

Τα καλώδια ηλεκτρικής σύνδεσης πρέπει να συμμορφώνονται με τις ισχύουσες διατάξεις VDE και DIN. Να χρησιμοποιείτε μόνο καλώδια σύνδεσης με χαρακτηρισμό „H05VV-F“.

Η εκτύπωση της ονομασίας τύπου πάνω στο καλώδιο σύνδεσης είναι υποχρεωτική.

#### **Μοτέρ εναλλασσόμενου ρεύματος**

- Η τάση ρεύματος δικτύου πρέπει να είναι 220 - 240 V~.
- Τα καλώδια επέκτασης μέχρι μήκος 25 m πρέπει να έχουν διατομή 1,5 τετραγωνικού χιλιοστού. Συνδέσεις και επισκευές του ηλεκτρικού εξοπλισμού επιτρέπεται να γίνονται μόνο από εξειδικευμένο ηλεκτρολόγο.

Σε περίπτωση ερωτήσεων, να αναφέρετε τα εξής δεδομένα:

- Τύπος ρεύματος του μοτέρ
- Δεδομένα της πινακίδας τύπου του μηχανήματος
- Δεδομένα της πινακίδας τύπου του μοτέρ

## **10. Καθαρισμός, συντήρηση και ποθήκευση**

### **⚠ Προσοχή!**

Πριν από όλες τις εργασίες καθαρισμού και συντήρησης να βγάξετε το βύσμα του δικτύου. Κίνδυνος από κρούσεις ρεύματος!

### **⚠ Προσοχή!**

Περιμένετε μέχρι να κρυώσει τελείως η συσκευή. Κίνδυνος εγκαύματος!

### **⚠ Προσοχή!**

Πριν από όλες τις εργασίες καθαρισμού και συντήρησης να τεθεί η συσκευή εκτός πίεσης. Κίνδυνος τραυματισμού!

### **10.1 Καθαρισμός**

- Να διατηρείτε τη συσκευή όσο πιο καθαρή από σκόνη και ρύπους γίνεται. Σκουπίζετε τη συσκευή με ένα καθαρό πανί, ή καθαρίστε το με πεπαισμένο αέρα σε χαμηλή πίεση.
- Συνιστούμε να καθαρίζετε τη συσκευή αμέσως μετά από κάθε χρήση.
- Να καθαρίζετε τη συσκευή τακτικά με ένα νωπό πανί και λίγο μαλακό σαπούνι. Μη χρησιμοποιείτε καθαριστικά ή διαλύτες, γιατί δεν αποκλείεται να καταστρέψουν την επιφάνεια της συσκευής. Προσέξτε να μην περάσει νερό στο εσωτερικό της συσκευής.
- Ο σωλήνας και τα ψεκαστικά εξαρτήματα να χωρίζονται από τον συμπιεστή πριν τον καθαρισμό. Ο συμπιεστής δεν επιτρέπεται να καθαρίζεται με νερό, διαλύτες ή κάτι παρόμοιο .

### **10.2 Συντήρηση του δοχείου πίεσης (εικ. 1)**

**Προσοχή!** Για μεγάλης διάρκειας αντοχή του δοχείου πίεσης (8) να εκκενώνεται μετά από κάθε χρήση το συμπύκνωμα νερού ανοίγοντας τη βίδα εκκένωσης (10). Προηγουμένως να γίνει εκκένωση της πίεσης του λέβητα (βλ. 10.7.1). Η βίδα εκκένωσης ανοίγει αριστερόστροφα (βλέποντας από την κάτω πλευρά του συμπιεστή προς τη βίδα) για να μπορεί να εξέλθει τελείως το συμπύκνωμα νερού από το δοχείο πίεσης. Κατόπιν κλείστε πάλι τη βίδα εκκένωσης (δεξιόστροφα). Να ελέγχετε το δοχείο πίεσης πριν από κάθε λειτουργία για σκουριά και βλάβες. Ο συμπιεστής δεν επιτρέπεται να λειτουργεί με ελαττωματικό ή σκουριασμένο δοχείο πίεσης. Εάν διαπιστώσετε βλάβες, επικοινωνήστε με το συνεργείο εξυπηρέτησης πελατών.

### **⚠ Προσοχή!**

**Το συμπύκνωμα νερού του δοχείου πίεσης περιέχει υπολείμματα λαδιού. Απορρίπτετε το συμπύκνωμα νερού με τρόπο φιλικό στο περιβάλλον παραδίδοντάς το σε αρμόδιο κέντρο συλλογής.**

### **10.3 Βαλβίδα ασφαλείας (Εικ.3)**

Η βαλβίδα ασφαλείας (19) έχει ρυθμιστεί στην μέγιστη επιτρεπτή πίεση του δοχείου υπό πίεση. Δεν επιτρέπεται η αλλαγή της ρύθμισης της βαλβίδας ασφαλείας ή της μολυβδοσφραγίδας της. Για να λειτουργήσει σωστά η βαλβίδα ασφαλείας όταν την χρειαστείτε, πρέπει να την χειρίζεστε από καιρού εις καιρό. Τραβήξτε τόσο δυνατά στο δακτύλιο, μέχρι να ακούσετε την έξοδο του πεπαισμένου αέρα. Κατόπιν αφήστε πάλι ελεύθερο τον δακτύλιο.

### **10.4 Τακτικός έλεγχος της στάθμης λαδιού (Εικ.11)**

Τοποθετήστε το συμπιεστή σε επίπεδη, ίσια επιφάνεια. Η στάθμη του λαδιού να βρίσκεται μεταξύ των χαρακτηρισμών MAX και MIN στο παράθυρο ελέγχου λαδιού (18). Αλλαγή λαδιού: Συνιστώμενο λάδι: SAE 15W 40 ή παρόμοιο λάδι. Την πρώτη φορά πρέπει να αλλάξετε το λάδι μετά από 100 ώρες λειτουργίας. Αργότερα εκκενώνετε το λάδι κάθε 500 ώρες λειτουργίας και να συμπληρώνετε νέο.

### **10.5 Αλλαγή λαδιού (Εικ. 3, 10)**

Σβήστε τον κινητήρα και να βγάλετε το βύσμα από την πρίζα . Αφαιρέστε την τάπα στεγανοποίησης λαδιού (16). Αφού εκκενώσετε ενδεχομένως υπάρχουσα πίεση αέρα, μπορείτε να ξεβιδώσετε τη βίδα εκκένωσης λαδιού (12) στην αντλία του συμπιεστή (13). Για να μην εξέρχεται ανεξέλεγκτα το λάδι προς τα έξω, να κρατήσετε από μία μικρή μακρουλή λεκάνη από λαμαρίνα και να μαζέψετε το λάδι σε ένα δοχείο. Εάν δεν εξέλθει τελείως το λάδι, σας συνιστούμε να δώσετε ελαφριά κλίση στο συμπιεστή. Όταν εκκενωθεί το λάδι, ξαναβάλτε τη βίδα εκκένωσης λαδιού (12).



**Παραδώστε τα χρησιμοποιημένα ορυκτέλαια σε αρμόδιο κέντρο συγκέντρωσης χρησιμοποιημένων ορυκτέλαιων.**

Για να γεμίσετε τη σωστή ποσότητα λαδιού, να προσέξετε να στέκεται ο συμπιεστής σε ίσια επιφάνεια. Γεμίστε το νέο λάδι στο στόμιο πλήρωσης λαδιού (20) μέχρι η στάθμη του λαδιού να φτάσει το σημείο που πρέπει. Το σημείο αυτό χαρακτηρίζεται με μία κόκκινη τελεία στο παράθυρο ελέγχου της στάθμης λαδιού (18) (Εικ. 11). Ποτέ να μη γίνεται υπέρβαση της μέγιστης ποσότητας. Σε περίπτωση υπερπλήρωσης δεν αποκλείονται ζημιές της συσκευής. Επανατοποθετήστε το πώμα (16) στο στόμιο πλήρωσης λαδιού (20).

### **10.6 Καθαρισμός του Φίλτρο αέρα (15) (Εικ. 3, 12, 13)**

Το Φίλτρο αέρα (15) εμποδίζει την αναρρόφηση σκόνης και ακαθαρσιών. Είναι απαραίτητος ο καθαρισμός του φίλτρου αυτού κάθε 300 ώρες λειτουργίας. Ένα βουλωμένο Φίλτρο αέρα μειώνει σημαντικά την απόδοση του συμπιεστή. Αφαιρέστε το Φίλτρο αέρα (15) ανοίγοντας την πεταλούδα-βίδα (E). Κατόπιν τραβήξτε το κάλυμμα του φίλτρου (C). Μπορείτε τώρα να αφαιρέσετε το φίλτρο αέρα (F). Κτυπήστε το φίλτρο αέρα και το καπάκι του φίλτρου και το περίβλημα του φίλτρου προσεκτικά για να καθαρίσουν. Αυτά τα εξαρτήματα να καθαριστούν μετά με πεπιεσμένο αέρα (περ. 3 bar) και να επανασυναρμολογηθούν στην αντίστροφη σειρά.

### **10.7 Φύλαξη**

#### **⚠ Προσοχή!**

**Βγάλτε το φισ από την πρίζα, εξαερίστε τη συσκευή και όλα τα συνδεδεμένα εργαλεία πεπιεσμένου αέρα. Τοποθετήστε τον συμπιεστή σε σημείο που να μη μπορεί να τεθεί σε λειτουργία από μη αρμόδια άτομα.**

#### **⚠ Προσοχή!**

**Ο συμπιεστής να φυλάσσεται μόνο σε στεγνό χώρο στον οποίο δεν έχουν πρόσβαση τρίτα άτομα. Μην τον γέρνετε, να φυλάσσεται σε όρθια στάση! Μπορεί να εξέλθει το λάδι!**

#### **10.7.1 Εκκένωση της υπερπίεσης**

Εκκενώνετε την υπερπίεση στον συμπιεστή, απενεργοποιώντας τον συμπιεστή και καταναλώνοντας την ακόμη υπάρχουσα πίεση στο δοχείο πίεσης, π.χ. με εργαλείο πεπιεσμένου αέρα σε λειτουργία κενού ή με πιστόλι εκφύσησης.

## **11. Διάθεση στα απορρίμματα και επαναχρησιμοποίηση**

Η συσκευή βρίσκεται σε μία συσκευασία προς αποφυγή ζημιών κατά τη μεταφορά. Αυτή η συσκευασία αποτελείται από πρώτες ύλες και έτσι μπορεί να επαναχρησιμοποιηθεί ή να ανακυκλωθεί. Η συσκευή και τα εξαρτήματά της αποτελούνται από διάφορα υλικά, όπως π.χ. μέταλλο και πλαστικά υλικά. Να παραδίδετε τα ελαττωματικά εξαρτήματα σε κέντρα συλλογής ειδικών απορριμμάτων. Ενημερωθείτε στα ειδικά καταστήματα ή στην διοίκηση της κοινότητας!



Η συσκευασία αποτελείται αποκλειστικά από υλικά που σέβονται το περιβάλλον. Αποσύρετέ τη με τη βοήθεια των κατά τόπους υπηρεσιών ανακύκλωσης.

Δυνατότητες απόσυρσης των χρησιμοποιημένων συσκευών θα πληροφορηθείτε από τη διαχείριση κοινότητας ή πόλης σας.

## **12. Μεταφορά**

Χρησιμοποιήστε τη λαβή για τη μεταφορά του συμπιεστή.

Παρατηρήστε το βάρος κατά την ανύψωση του συμπιεστή (βλέπε Τεχνικά χαρακτηριστικά). Κατά τη μεταφορά του συμπιεστή σε ένα όχημα με κινητήρα, εξασφαλίζουν την καλή στερέωση του φορτίου.

### 13. Αντιμετώπιση προβλημάτων

Πρόβλημα	Ενδεχόμενη αιτία	Αντιμετώπιση
Δεν παίρνει μπροστά ο συμπιεστής	<ul style="list-style-type: none"> <li>• Δεν υπάρχει τάση δικτύου.</li> <li>• Πολύ χαμηλή τάση δικτύου.</li> <li>• Πολύ χαμηλή εξωτερική θερμοκρασία.</li> <li>• Υπερθέρμανση του κινητήρα.</li> </ul>	<ul style="list-style-type: none"> <li>• Να γίνει έλεγχος του καλωδίου, του βύσματος, της ασφάλειας και της πρίζας.</li> <li>• Να αποφεύγετε τις πολύ μακριές επεκτάσεις καλωδίου. Να χρησιμοποιείτε καλώδιο επέκτασης με επαρκή διατομή αγωγών.</li> <li>• Μη λειτουργείτε τη συσκευή σε εξωτερική θερμοκρασία κάτω των +5°C.</li> <li>• Αφήστε τον κινητήρα να κρυώσει ενδεχ. αποκαταστήστε την αιτία που προκάλεσε την υπερθέρμανση</li> </ul>
Ο συμπιεστής λειτουργεί, αλλά χωρίς πίεση.	<ul style="list-style-type: none"> <li>• Η βαλβίδα αντίκρουσης (19) δεν είναι στεγανή.</li> <li>• Ελαττωματικές στεγανοποιητικές διατάξεις.</li> <li>• Η βίδα εκκένωσης για συμπύκνωμα νερού (10) δεν είναι στεγανή.</li> </ul>	<ul style="list-style-type: none"> <li>• Αλλαγή της βαλβίδας αντίκρουσης (19).</li> <li>• Έλεγχος των στεγανωτικών διατάξεων και αντικατάσταση των ελαττωματικών σε ειδικευμένο συνεργείο.</li> <li>• Σφίξτε τη βίδα με το χέρι. Ελέγξτε τη στεγάνωση της βίδας, ενδεχ. αντικαταστήστε την.</li> </ul>
Ο συμπιεστής λειτουργεί, η πίεση προβάλλεται στο μανόμετρο, αλλά τα εργαλεία δεν λειτουργούν.	<ul style="list-style-type: none"> <li>• Δεν είναι στεγανοί οι σύνδεσμοι του σωλήνα.</li> <li>• Δεν είναι στεγανός ο ταχυσύνδεσμος.</li> <li>• Έχει ρυθμιστεί πολύ χαμηλή πίεση στον Στον ρυθμιστή πίεσης (5).</li> </ul>	<ul style="list-style-type: none"> <li>• Ελέγξτε το σωλήνα πεπιεσμένου αέρα και τα εργαλεία, ενδεχ. αντικαταστήστε τα.</li> <li>• Ελέγξτε τον ταχυσύνδεσμο, ενδεχ. αντικαταστήστε τον.</li> <li>• Ανοίξτε περισσότερο τον ρυθμιστή πίεσης.</li> </ul>

## 14. ΕΓΓΥΗΣΗ

Αξιότιμη πελάτισσα, αξιότιμε πελάτη,

Τα προϊόντα μας υπόκεινται σε αυστηρούς ελέγχους ποιότητας. Εάν παρόλα αυτά κάποτε δεν λειτουργήσουν άψογα, λυπούμαστε πολύ και σας παρακαλούμε να αποτανθείτε προς το τμήμαμας Εξυπηρέτησης Πελατών, στη διεύθυνση που αναφέρετε σε αυτή την εγγύηση. Ευχαρίστως σας βοηθούμε και τηλεφωνικώς στον αριθμό που αναφέρετε πιο κάτω. Για την κατίσχυση των αξιώσεων εγγύησης ισχύουν τα εξής:

- Αυτοί οι όροι εγγύησης ρυθμίζουν πρόσθετες παροχές εγγύησης. Από την εγγύηση αυτή δεν θίγονται οι νόμιμες αξιώσεις σας για εγγύηση. Η παροχή της εγγύησής μας είναι για σας δωρεάν
- Η εγγύηση καλύπτει αποκλειστικά και μόνο βλάβες που οφείλονται σε ελαττώματα υλικών ή παραγωγής και περιορίζονται στην αποκατάσταση αυτών των ελαττωμάτων ή την αντικατάσταση της συσκευής. Παρακαλούμε να προσέξετε πως οι συσκευές μας δεν προορίζονται για τη βιομηχανία, τη βιοτεχνία και την επαγγελματική χρήση. Για το λόγο αυτό δεν υφίσταται σύμβαση εγγύησης σε περίπτωση χρήσης της συσκευής στη βιομηχανία, βιοτεχνία, για επαγγελματικό ή άλλο παρόμοιο σκοπό. Από την εγγύησή μας αποκλείονται πέραν τούτου αποζημιώσεις για βλάβες μεταφοράς, βλάβες οφειλόμενες σε μη τήρηση της Οδηγίας συναρμολόγησης, ή σε εσφαλμένη εγκατάσταση, μη τήρηση της Οδηγίας χρήσης (π.χ. σύνδεση σε λάθος τάση δικτύου ή είδος ρεύματος), καταχρηστική ή όχι ορθή χρήση (π.χ. υπερφόρτωση ή χρήση μη εγκεκριμένων ανταλλακτικών εργαλείων ή εξαρτημάτων), μη τήρηση των Υποδείξεων συντήρησης και ασφαλείας, είσοδος ξένων αντικειμένων στη συσκευή (όπως π.χ. άμμος ή σκόνη), χρήση βίας ή εξωτερική επίδραση (όπως π.χ. βλάβες από πτώση) καθώς και βλάβες που οφείλονται σε κοινή φθορά.

Η αξίωση εγγύησης εκπίπτει σε περίπτωση που έγιναν ήδη ξένες επεμβάσεις στη συσκευή.

- Η διάρκεια της εγγύησης ανέρχεται σε 3 έτη και αρχίζει από την ημερομηνία αγοράς της συσκευής. Οι αξιώσεις εγγύησης πρέπει να κατισχυθούν πριν την πάροδο της προθεσμίας της εγγύησης εντός δύο εβδομάδων από την διαπίστωση του ελαττώματος. Αποκλείεται η κατίσχυση αξιώσεων εγγύησης μετά την πάροδο της προθεσμίας της εγγύησης. Η επισκευή ή η αντικατάσταση της συσκευής δεν συνεπάγεται ούτε την επέκταση της διάρκειας της εγγύησης ούτε την έναρξη νέας προθεσμίας εγγύησης για τη συσκευή ή τα ενδεχομένως τοποθετηθέντα εξαρτήματα. Το ίδιο ισχύει και σε περίπτωση σέρβις επί τόπου.
- Για την κατίσχυση της αξίωσης της εγγύησης σας παρακαλούμε να μας αποστείλετε τη συσκευή, χωρίς επιβάρυνσή μας με ταχυδρομικά τέλη, στην πιο κάτω αναφερόμενη διεύθυνση. Μη ξεχάσετε να επισυνάψετε το πρωτότυπο της απόδειξης αγοράς ή άλλο ισχύον αποδεικτικό αγοράς. Για το λόγο αυτό σας παρακαλούμε να φυλάξετε καλά την απόδειξη του ταμείου! Παρακαλούμε επίσης να μας περιγράψετε την αιτία για την διαμαρτυρία σας όσο πιο αναλυτικά γίνεται. Εάν το ελάττωμα της συσκευής σας καλύπτεται από την εγγύησή μας, είτε θα σας επιστραφεί ταχύτατα η επισκευασμένη συσκευή σας, είτε θα λάβετε μία νέα συσκευή

Φυσικά επισκευάζουμε ευχαρίστως έναντι αμοιβής και ελαττώματα στη συσκευή σας που δεν καλύπτονται ή δεν καλύπτονται πλέον από την εγγύηση. Για το σκοπό αυτό σας παρακαλούμε να αποστείλετε τη συσκευή σας στη διεύθυνση του τμήματος μας για Εξυπηρέτηση Πελατών

### **Διεύθυνση σέρβις (GR/CY):**

GEORGE C SOLOMONIDES & SON LTD  
PO.BOX 56236 / 169, LEONTIOS A'  
3305 LIMASSOL/CYPRUS

### **Ανοικτή γραμμή σέρβις:**

+800 4003 4003  
(0,00 €/Min.)

### **Διεύθυνση e-mail (CY):**

service.CY@schepach.com

### **Διεύθυνση e-mail (GR):**

service.GR@schepach.com

**Inhaltsverzeichnis:****Seite:**

1. Einleitung	53
2. Gerätebeschreibung	53
3. Lieferumfang	53
4. Bestimmungsgemäße Verwendung	54
5. Sicherheitshinweise	54
6. Technische Daten	56
7. Vor Inbetriebnahme	56
8. Aufbau und Bedienung	56
9. Elektrischer Anschluss	57
10. Reinigung, Wartung und Lagerung	57
11. Entsorgung und Wiederverwertung	58
12. Transport	59
13. Störungsabhilfe	59
14. Garantieurkunde	60
15. Konformitätserklärung	61

## 1. Einleitung

### HERSTELLER:

#### scheppach

Fabrikation von Holzbearbeitungsmaschinen GmbH  
Günzburger Straße 69  
D-89335 Ichenhausen

### VEREHRTER KUNDE,

Wir wünschen Ihnen viel Freude und Erfolg beim Arbeiten mit Ihrem neuen Gerät.

### HINWEIS:

Der Hersteller dieses Gerätes haftet nach dem geltenden Produkthaftungsgesetz nicht für Schäden, die an diesem Gerät oder durch dieses Gerät entstehen bei:

- unsachgemäßer Behandlung,
- Nichtbeachtung der Bedienungsanweisung,
- Reparaturen durch Dritte, nicht autorisierte Fachkräfte,
- Einbau und Austausch von nicht originalen Ersatzteilen,
- nicht bestimmungsgemäßer Verwendung,
- Ausfällen der elektrischen Anlage bei Nichtbeachtung der elektrischen Vorschriften und VDE-Bestimmungen 0100, DIN 57113 / VDE0113.

### Beachten Sie:

Lesen Sie vor der Montage und vor Inbetriebnahme den gesamten Text der Bedienungsanleitung durch. Diese Bedienungsanleitung soll es Ihnen erleichtern, Ihr Elektrowerkzeug kennenzulernen und dessen bestimmungsgemäßen Einsatzmöglichkeiten zu nutzen.

Die Bedienungsanleitung enthält wichtige Hinweise, wie Sie mit dem Elektrowerkzeug sicher, fachgerecht und wirtschaftlich arbeiten, und wie Sie Gefahren vermeiden, Reparaturkosten sparen, Ausfallzeiten verringern und die Zuverlässigkeit und Lebensdauer des Elektrowerkzeugs erhöhen.

Zusätzlich zu den Sicherheitsbestimmungen dieser Bedienungsanleitung müssen Sie unbedingt die für den Betrieb des Elektrowerkzeugs geltenden Vorschriften Ihres Landes beachten.

Bewahren Sie die Bedienungsanleitung, in einer Plastikhülle geschützt vor Schmutz und Feuchtigkeit, bei dem Elektrowerkzeug auf. Sie muss von jeder Bedienungsperson vor Aufnahme der Arbeit gelesen und sorgfältig beachtet werden. An dem Elektrowerkzeug dürfen nur Personen arbeiten, die im Gebrauch des Elektrowerkzeugs unterwiesen und über die damit verbundenen Gefahren unterrichtet sind. Das geforderte Mindestalter ist einzuhalten.

Neben den in dieser Bedienungsanleitung enthaltenen Sicherheitshinweisen und den besonderen Vorschriften Ihres Landes sind die für den Betrieb von baugleichen Maschinen allgemein anerkannten technischen Regeln zu beachten. Wir übernehmen keine Haftung für Unfälle oder Schäden, die durch Nichtbeachten dieser Anleitung und den Sicherheitshinweisen entstehen.

## 2. Gerätebeschreibung (Abb. 1-13)

1. Transportgriff
2. Druckschalter
3. Schnellkupplung (geregelter Druckluft)
4. Manometer (eingestellter Druck kann abgelesen werden)
5. Druckregler
6. Manometer (Kesseldruck kann abgelesen werden)
7. Schnellkupplung (ungeregelter Druckluft)
8. Druckbehälter
9. Standfuß
10. Ablassschraube für Kondenswasser
11. Rad
12. Öl – Ablassschraube
13. Verdichterpumpe
14. Druckluftschlauch
15. Luftfilter
16. Ölverschlussstopfen
17. Ein- / Aus - Schalter
18. Öl – Schauglas
19. Sicherheitsventil
20. Öl – Einfüllöffnung
21. Flanschschaube
22. Beilagscheibe
23. Mutter
24. Flanscmutter
25. Schraube
26. Inbusschraube
27. Inbusschlüssel 5 mm

## 3. Lieferumfang

- 1x Transportgriff
- 1x Luftfilter
- 2x Standfuß
- 2x Rad
- 1x Ölverschlussstopfen
- 1x Druckluftschlauch
- 1x Inbusschlüssel 5 mm
- 1x Bedienungsanleitung

- Öffnen Sie die Verpackung und nehmen Sie das Gerät vorsichtig heraus.
- Entfernen Sie das Verpackungsmaterial sowie Verpackungs- / und Transportsicherungen (falls vorhanden).
- Überprüfen Sie, ob der Lieferumfang vollständig ist.
- Kontrollieren Sie das Gerät und die Zubehörteile auf Transportschäden.
- Bewahren Sie die Verpackung nach Möglichkeit bis zum Ablauf der Garanzzeit auf.

### ACHTUNG

**Gerät und Verpackungsmaterialien sind kein Kinderspielzeug! Kinder dürfen nicht mit Kunststoffbeuteln, Folien und Kleinteilen spielen! Es besteht Verschluckungs- und Erstickungsgefahr!**

## 4. Bestimmungsgemäße Verwendung

Der Kompressor dient zum Erzeugen von Druckluft für druckluftbetriebene Werkzeuge, welche mit einer Luftmenge bis ca. 260 l/min. betrieben werden können (z.B. Reifenfüller, Ausblaspistole und Lackierpistole). Aufgrund der begrenzten Luftfördermenge ist es nicht möglich, Werkzeuge zu betreiben, welche einen sehr hohen Luftverbrauch aufweisen (z.B. Schwingschleifer, Stabschleifer und Schlagschrauber).

Die Maschine darf nur nach ihrer Bestimmung verwendet werden. Jede weitere darüber hinausgehende Verwendung ist nicht bestimmungsgemäß. Für daraus hervorgerufene Schäden oder Verletzungen aller Art haftet der Benutzer/Bediener und nicht der Hersteller.

Bitte beachten Sie, dass unsere Geräte bestimmungsgemäß nicht für den gewerblichen, handwerklichen oder industriellen Einsatz konstruiert wurden. Wir übernehmen keine Gewährleistung, wenn das Gerät in Gewerbe-, Handwerks- oder Industriebetrieben sowie bei gleichzusetzenden Tätigkeiten eingesetzt wird.

## 5. Sicherheitshinweise

**⚠ Achtung!** Beim Gebrauch von Elektrowerkzeugen sind zum Schutz gegen elektrischen Schlag, Verletzungs- und Brandgefahr folgende grundsätzliche Sicherheitsmaßnahmen zu beachten. Lesen Sie alle diese Hinweise, bevor Sie dieses Elektrowerkzeug benutzen, und bewahren Sie die Sicherheitshinweise gut auf.

**⚠ Achtung!** Beim Gebrauch dieses Kompressors sind zum Schutz gegen elektrischen Schlag, Verletzungs- und Brandgefahr folgende grundsätzlichen Sicherheitsmaßnahmen zu beachten.

Lesen und beachten Sie diese Hinweise, bevor Sie das Gerät benutzen

### Sicheres Arbeiten

- 1 Halten Sie Ihren Arbeitsbereich in Ordnung
  - Unordnung im Arbeitsbereich kann Unfälle zur Folge haben.
- 2 Berücksichtigen Sie Umgebungseinflüsse
  - Setzen Sie Elektrowerkzeuge nicht dem Regen aus.
  - Benutzen Sie Elektrowerkzeuge nicht in feuchter oder nasser Umgebung. Gefahr durch Stromschlag!
  - Sorgen Sie für gute Beleuchtung des Arbeitsbereichs.
  - Benutzen Sie Elektrowerkzeuge nicht, wo Brand- oder Explosionsgefahr besteht.
- 3 Schützen Sie sich vor elektrischem Schlag
  - Vermeiden Sie Körperberührung mit geerdeten Teilen (z. B. Rohren, Radiatoren, Elektroherden, Kühlgeräten).

- 4 Halten Sie Kinder fern!
  - Lassen Sie andere Personen nicht das Werkzeug und das Kabel berühren, halten Sie sie von Ihrem Arbeitsbereich fern.
- 5 Bewahren Sie unbenutzte Elektrowerkzeuge sicher auf
  - Unbenutzte Elektrowerkzeuge sollten an einem trockenen, hochgelegenen oder abgeschlossenen Ort, außerhalb der Reichweite von Kindern, abgelegt werden.
- 6 Überlasten Sie Ihr Elektrowerkzeug nicht
  - Sie arbeiten besser und sicherer im angegebenen Leistungsbereich.
- 7 Tragen Sie geeignete Kleidung
  - Tragen Sie keine weite Kleidung oder Schmuck, sie könnten von beweglichen Teilen erfasst werden.
  - Bei Arbeiten im Freien sind Gummihandschuhe und rutschfestes Schuhwerk empfehlenswert.
  - Tragen Sie bei langen Haaren ein Haarnetz.
- 8 Verwenden Sie das Kabel nicht für Zwecke, für die es nicht bestimmt ist
  - Benutzen Sie das Kabel nicht, um den Stecker aus der Steckdose zu ziehen. Schützen Sie das Kabel vor Hitze, Öl und scharfen Kanten.
- 9 Pflegen Sie Ihre Werkzeuge mit Sorgfalt
  - Halten Sie Ihren Kompressor sauber, um gut und sicher zu arbeiten.
  - Befolgen Sie die Wartungsvorschriften.
  - Kontrollieren Sie regelmäßig die Anschlussleitung des Elektrowerkzeugs und lassen Sie diese bei Beschädigung von einem anerkannten Fachmann erneuern.
  - Kontrollieren Sie Verlängerungsleitungen regelmäßig und ersetzen Sie diese, wenn sie beschädigt sind.
- 10 Ziehen Sie den Stecker aus der Steckdose
  - Bei Nichtgebrauch des Elektrowerkzeugs, vor der Wartung und beim Wechsel von Werkzeugen wie z. B. Sägeblatt, Bohrer, Fräser.
- 11 Vermeiden Sie unbeabsichtigten Anlauf
  - Vergewissern Sie sich, dass der Schalter beim Einstecken des Steckers in die Steckdose ausgeschaltet ist.
- 12 Benutzen Sie Verlängerungskabel für den Außenbereich
  - Verwenden Sie im Freien nur dafür zugelassene und entsprechend gekennzeichnete Verlängerungskabel.
  - Verwenden Sie die Kabeltrommel nur im abgerollten Zustand.
- 13 Seien Sie stets aufmerksam
  - Achten Sie darauf, was Sie tun. Gehen Sie mit Vernunft an die Arbeit. Benutzen Sie das Elektrowerkzeug nicht, wenn Sie unkonzentriert sind.
- 14 Überprüfen Sie das Elektrowerkzeug auf eventuelle Beschädigungen
  - Vor weiterem Gebrauch des Elektrowerkzeugs müssen Schutzvorrichtungen oder leicht beschädigte Teile sorgfältig auf ihre einwandfreie und bestimmungsgemäße Funktion untersucht werden.

- Überprüfen Sie, ob die beweglichen Teile einwandfrei funktionieren und nicht klemmen oder ob Teile beschädigt sind. Sämtliche Teile müssen richtig montiert sein und alle Bedingungen erfüllen, um den einwandfreien Betrieb des Elektrowerkzeugs zu gewährleisten.
  - Beschädigte Schutzvorrichtungen und Teile müssen bestimmungsgemäß durch eine anerkannte Fachwerkstatt repariert oder ausgewechselt werden, soweit nichts anderes in der Bedienungsanleitung angegeben ist.
  - Beschädigte Schalter müssen bei einer Kundendienstwerkstatt ersetzt werden.
  - Benutzen Sie keine fehlerhaften oder beschädigten Anschlussleitungen.
  - Benutzen Sie keine Elektrowerkzeuge, bei denen sich der Schalter nicht ein- und ausschalten lässt.
- 15** Lassen Sie Ihr Elektrowerkzeug durch eine Elektrofachkraft reparieren
- Dieses Elektrowerkzeug entspricht den einschlägigen Sicherheitsbestimmungen. Reparaturen dürfen nur von einer Elektrofachkraft ausgeführt werden, indem Originalersatzteile verwendet werden; anderenfalls können Unfälle für den Benutzer entstehen.
- 16** Achtung!
- Zu Ihrer eigenen Sicherheit, benutzen Sie nur Zubehör und Zusatzgeräte, die in der Bedienungsanleitung angegeben oder vom Hersteller empfohlen oder angegeben werden. Der Gebrauch anderer als der in der Bedienungsanleitung oder im Katalog empfohlenen Einsatzwerkzeuge oder Zubehöre kann eine persönliche Verletzungsgefahr für Sie bedeuten.
- 17** Geräusch
- Bei Verwendung des Kompressors Gehörschutz tragen.
- 18** Austausch der Anschlussleitung
- Wenn die Anschlussleitung beschädigt wird, muss sie vom Hersteller oder einer Elektrofachkraft ersetzt werden, um Gefährdungen zu vermeiden. Gefahr durch Stromschläge
- 19** Befüllung von Reifen
- Kontrollieren Sie den Reifendruck unmittelbar nach der Befüllung durch ein geeignetes Manometer, z.B. an einer Tankstelle.
- 20** Straßenfahrbare Kompressoren im Baustellenbetrieb
- Achten Sie darauf, dass alle Schläuche und Armaturen für den höchst zulässigen Arbeitsdruck des Kompressors geeignet sind.
- 21** Aufstellort
- Stellen Sie den Kompressor nur auf einer ebenen Fläche auf.
- 22** Es ist empfohlen, dass Zuführschläuche bei Drücken über 7 bar mit einem Sicherheitskabel, z.B. einem Drahtseil ausgestattet werden sollten.

## ZUSÄTZLICHE SICHERHEITSHINWEISE

### Sicherheitshinweise zum Arbeiten mit Druckluft und Ausblaspistolen

- Verdichterpumpe und Leitungen erreichen im Betrieb hohe Temperaturen. Berührungen führen zu Verbrennungen.
- Die vom Kompressor angesaugte Luft ist frei von Beimengungen zu halten, die in der Verdichterpumpe zu Bränden oder Explosionen führen können.
- Halten Sie beim Lösen der Schlauchkupplung das Kupplungsstück des Schlauches mit der Hand fest. So vermeiden Sie Verletzungen durch den zurückschnellenden Schlauch.
- Bei Arbeiten mit der Ausblaspistole Schutzbrille tragen. Durch Fremdkörper und weggeblasene Teile können leicht Verletzungen verursacht werden.
- Mit der Ausblaspistole keine Personen anblasen oder Kleidung am Körper reinigen. Verletzungsgefahr!

### Sicherheitshinweise beim Farbspritzen

- Keine Lacke oder Lösungsmittel mit einem Flammpunkt von weniger als 55° C verarbeiten. Explosionsgefahr!
- Lacke und Lösungsmittel nicht erwärmen. Explosionsgefahr!
- Werden gesundheitsschädliche Flüssigkeiten verarbeitet, sind zum Schutz Filtergeräte (Gesichtsmasken) erforderlich. Beachten Sie auch die von den Herstellern solcher Stoffe gemachten Angaben über Schutzmaßnahmen.
- Die auf den Umverpackungen der verarbeiteten Materialien aufgebrachten Angaben und Kennzeichnungen der Gefahrstoffverordnung sind zu beachten. Gegebenfalls sind zusätzliche Schutzmaßnahmen zu treffen, insbesondere geeignete Kleidung und Masken zu tragen.
- Während des Spritzvorgangs sowie im Arbeitsraum darf nicht geraucht werden. Explosionsgefahr! Auch Farbdämpfe sind leicht brennbar.
- Feuerstellen, offenes Licht oder funkenschlagende Maschinen dürfen nicht vorhanden sein bzw. betrieben werden.
- Speisen und Getränke nicht im Arbeitsraum aufbewahren oder verzehren. Farbdämpfe sind gesundheitsschädlich.
- Der Arbeitsraum muss größer als 30 m<sup>3</sup> sein und es muss ausreichender Luftwechsel beim Spritzen und Trocknen gewährleistet sein.
- Nicht gegen den Wind spritzen. Grundsätzlich beim Verspritzen von brennbaren bzw. gefährlichen Spritzgütern die Bestimmungen der örtlichen Polizeibehörde beachten.
- Verarbeiten Sie in Verbindung mit dem PVC-Druckschlauch keine Medien wie Testbenzin, Butylalkohol und Methylenchlorid. Diese Medien zerstören den Druckschlauch.

## Betrieb von Druckbehältern

- Wer einen Druckbehälter betreibt, hat diesen in einem ordnungsgemäßen Zustand zu erhalten, ordnungsgemäß zu betreiben, zu überwachen, notwendige Instandhaltungs- und Instandsetzungsarbeiten unverzüglich vorzunehmen und die den Umständen nach erforderlichen Sicherheitsmaßnahmen zu treffen.
- Die Aufsichtsbehörde kann im Einzelfall erforderliche Überwachungsmaßnahmen anordnen.
- Ein Druckbehälter darf nicht betrieben werden, wenn er Mängel aufweist, durch die Beschäftigte oder Dritte gefährdet werden.
- Kontrollieren Sie den Druckbehälter vor jedem Betrieb auf Rost und Beschädigungen. Der Kompressor darf nicht mit einem beschädigten oder rostigen Druckbehälter betrieben werden. Stellen Sie Beschädigungen fest, so wenden Sie sich bitte an die Kundendienstwerkstatt.

## Bewahren Sie die Sicherheitshinweise gut auf.

### Restrisiko

Halten Sie die vorgegebenen Wartungs- und Sicherheitshinweise der Bedienungsanleitung ein.

Seien Sie stets aufmerksam bei der Arbeit und halten Sie dritte Personen in einem sicheren Abstand von Ihrem Arbeitsplatz fern.

Auch bei sachgemäßer Verwendung des Gerätes bleibt immer ein gewisses Restrisiko, das nicht ausgeschlossen werden kann. Aus der Art und Konstruktion des Gerätes können die folgenden potentiellen Gefährdungen abgeleitet werden:

Unbeabsichtigte Inbetriebsetzung des Produktes.

Schädigung des Gehöres, wenn kein vorgeschriebener Gehörschutz getragen wird.

Schmutzpartikel, Staub etc. können trotz des Tragens der Schutzbrille in Ihr Auge oder Gesicht gelangen.

Einatmen von aufgewirbelten Partikeln.

## 6. Technische Daten

Netzanschluss	220 - 240 V ~ 50Hz
Motorleistung W	1800
Betriebsart	S1
Kompressor-Drehzahl	2850 min <sup>-1</sup>
Druckbehältervolumen (in Liter)	ca. 50
Betriebsdruck	ca. 10 bar
Theo. Ansaugleistung l/min	ca. 260
Schallleistungspegel L <sub>WA</sub>	97 dB(A)
Unsicherheit K <sub>WA</sub>	2,22 dB
Schutzart	IP20
Gerätegewicht in kg	ca. 34
Öl (15W 40) l	ca. 0,4
Max. Aufstellhöhe (üNN)	1000 m

Die Geräuschemissionswerte wurden entsprechend EN ISO 3744:1995 ermittelt.

## Tragen Sie einen Gehörschutz.

Die Einwirkung von Lärm kann Gehörverlust bewirken.

## 7. Vor Inbetriebnahme

Überzeugen Sie sich vor dem Anschließen, dass die Daten auf dem Typenschild mit den Netzdaten übereinstimmen.

- Überprüfen Sie das Gerät auf Transportschäden. Etwaige Schäden sofort dem Transportunternehmen melden, mit dem der Kompressor angeliefert wurde.
- Die Aufstellung des Kompressors muss in der Nähe des Verbrauchers erfolgen.
- Lange Luftleitungen und lange Zuleitungen (Verlängerungskabel) sind zu vermeiden.
- Auf trockene und staubfreie Ansaugluft achten.
- Den Kompressor nicht in feuchtem oder nassem Raum aufstellen.
- Der Kompressor darf nur in geeigneten Räumen (gut belüftet, Umgebungstemperatur +5°C bis 40°C) betrieben werden. Im Raum dürfen sich keine Stäube, keine Säuren, Dämpfe, explosive oder entflammbare Gase befinden.
- Der Kompressor ist geeignet für den Einsatz in trockenen Räumen. In Bereichen, in denen mit Spritzwasser gearbeitet wird, ist der Einsatz nicht zulässig.
- Vor Inbetriebnahme muss der Ölstand in der Kompressorpumpe kontrolliert werden.

## 8. Aufbau und Bedienung

### ⚠ Achtung!

**Vor der Inbetriebnahme das Gerät unbedingt komplett montieren!**

Zur Montage benötigen Sie:

1x Gabelschlüssel 12mm

1x Gabelschlüssel 13mm

1x Gabelschlüssel 14mm

(nicht im Lieferumfang enthalten)

### 8.1 Montage der Räder (Bild 4)

- Montieren Sie die beiliegenden Räder wie dargestellt.

### 8.2 Montage der Standfüße (Bild 4,5)

- Montieren Sie die beiliegenden Standfüße wie dargestellt.

### 8.3 Montage des Transportgriffs (Bild 6)

- Montieren Sie den beiliegenden Transportgriff wie dargestellt.

### 8.4 Montage des Luftfilters (Bild 7,8)

- Entfernen Sie den Transportstopfen (B) und schrauben Sie den Luftfilter (15) am Gerät fest.

### 8.5 Austausch des Transportdeckels (A) (Bild 9,10)

- Entfernen Sie den Transportdeckel der Öleinfüllöffnung (20) und setzen Sie den beiliegenden Öl-Verschlussstopfen (16) in die Öleinfüllöffnung ein.



## 8.6 Netzanschluss

- Der Kompressor ist mit einer Netzleitung mit Schutzkontaktstecker ausgerüstet. Dieser kann an jeder Schutzkontaktsteckdose 220 - 240 V~ 50 Hz, welche mit 16 A abgesichert ist, angeschlossen werden.
- Achten Sie vor Inbetriebnahme darauf, dass die Netzspannung mit der Betriebsspannung und mit der Maschinenleistung auf dem Datenschild übereinstimmt.
- Lange Zuleitungen, sowie Verlängerungen, Kabeltrommeln usw. verursachen Spannungsabfall und können den Motoranlauf verhindern.
- Bei niedrigen Temperaturen unter +5°C ist der Motoranlauf durch Schwergängigkeit gefährdet.

## 8.7 Ein-/ Ausschalter (Bild 2)

- Zum Einschalten des Kompressors wird der Ein/ Ausschalter (17) nach oben gezogen. Zum Abschalten wird der Ein-/ Ausschalter nach unten gedrückt.

## 8.8 Druckeinstellung: (Bild 1,3)

- Mit dem Druckregler (5) wird der Druck am Manometer (4) eingestellt.
- Der eingestellte Druck kann an der Schnellkupplung (3) entnommen werden.
- Am Manometer (6) wird der Kesseldruck abgelesen.
- Der Kesseldruck wird an der Schnellkupplung (7) entnommen.

## 8.9 Druckschaltereinstellung (Bild 1)

- Der Druckschalter (2) ist werkseitig eingestellt.  
Einschaltdruck ca. 8 bar  
Ausschaltdruck ca. 10 bar

## 8.10 Montage des Druckluftschlauchs (Bild 1,3)

Für Arbeiten in größerer Entfernung vom Kompressor kann der Druckluftschlauch (14) verwendet werden. Schließen Sie dazu den Stecknippel (H) des Druckluftschlauchs an einer der Schnellkupplungen (3, 7) an. Schließen Sie danach das Druckluftwerkzeug an der Schnellkupplung (I) des Druckluftschlauches an.

## 9. Elektrischer Anschluss

**Der installierte Elektromotor ist betriebsfertig angeschlossen. Der Anschluss entspricht den einschlägigen VDE- und DIN-Bestimmungen. Der kundenseitige Netzanschluss sowie die verwendete Verlängerungsleitung müssen diesen Vorschriften entsprechen.**

### Wichtige Hinweise

Bei Überlastung des Motors schaltet dieser selbständig ab. Nach einer Abkühlzeit (zeitlich unterschiedlich) lässt sich der Motor wieder einschalten.

### Schadhafte Elektro-Anschlussleitung.

An elektrischen Anschlussleitungen entstehen oft Isolationsschäden.

Ursachen hierfür können sein:

- Druckstellen, wenn Anschlussleitungen durch Fenster oder Türspalten geführt werden.

- Knickstellen durch unsachgemäße Befestigung oder Führung der Anschlussleitung.
- Schnittstellen durch Überfahren der Anschlussleitung.
- Isolationsschäden durch Herausreißen aus der Wandsteckdose.
- Risse durch Alterung der Isolation.

Solch schadhafte Elektro-Anschlussleitungen dürfen nicht verwendet werden und sind aufgrund der Isolationsschäden lebensgefährlich.

Elektrische Anschlussleitungen regelmäßig auf Schäden überprüfen. Achten Sie darauf, dass beim Überprüfen die Anschlussleitung nicht am Stromnetz hängt.

Elektrische Anschlussleitungen müssen den einschlägigen VDE- und DIN-Bestimmungen entsprechen. Verwenden Sie nur Anschlussleitungen mit Kennzeichnung „H05VV-F“. Ein Aufdruck der Typenbezeichnung auf dem Anschlusskabel ist Vorschrift.

### Wechselstrommotor:

- Die Netzspannung muss 220 - 240 V~ 50 Hz betragen.
  - Verlängerungsleitungen bis 25 m Länge müssen einen Querschnitt von 1,5 Quadratmillimeter aufweisen.
- Anschlüsse und Reparaturen der elektrischen Ausrüstung dürfen nur von einer Elektro-Fachkraft durchgeführt werden.

Bei Rückfragen bitte folgende Daten angeben:

- Stromart des Motors
- Daten des Maschinen-Typenschildes
- Daten des Motor-Typenschildes

## 10. Reinigung, Wartung und Lagerung

### ⚠ Achtung!

Ziehen Sie vor allen Reinigungs- und Wartungsarbeiten den Netzstecker! Verletzungsgefahr durch Stromstöße!

### ⚠ Achtung!

Warten Sie bis das Gerät vollständig abgekühlt ist! Verbrennungsgefahr!

### ⚠ Achtung!

Vor allen Reinigungs- und Wartungsarbeiten ist das Gerät drucklos zu machen! Verletzungsgefahr!

### 10.1 Reinigung

- Halten Sie das Gerät so staub- und schmutzfrei wie möglich. Reiben Sie das Gerät mit einem sauberen Tuch ab oder blasen Sie es mit Druckluft bei niedrigem Druck aus.
- Wir empfehlen, dass Sie das Gerät direkt nach jeder Benutzung reinigen.
- Reinigen Sie das Gerät regelmäßig mit einem feuchten Tuch und etwas Schmierseife. Verwenden Sie keine Reinigungs- oder Lösungsmittel; diese könnten die Kunststoffteile des Gerätes angreifen. Achten Sie darauf, dass kein Wasser in das Geräteinnere gelangen kann.
- Schlauch und Spritzwerkzeuge müssen vor Reinigung vom Kompressor getrennt werden. Der Kompressor darf nicht mit Wasser, Lösungsmitteln o. Ä. gereinigt werden.

## 10.2 Wartung des Druckbehälters (Bild 1)

**Achtung!** Für dauerhafte Haltbarkeit des Druckbehälters (8) ist nach jedem Betrieb das Kondenswasser durch Öffnen der Ablassschraube (10) abzulassen. Lassen Sie zuvor den Kesseldruck ab (s. 10.7.1). Die Ablassschraube wird durch Drehen gegen den Uhrzeigersinn geöffnet (Blickrichtung von der Kompressorunterseite auf die Schraube), damit das Kondenswasser vollständig aus dem Druckbehälter ablaufen kann. Verschließen Sie danach die Ablassschraube wieder (Drehen im Uhrzeigersinn). Kontrollieren Sie den Druckbehälter vor jedem Betrieb auf Rost und Beschädigungen.

Der Kompressor darf nicht mit einem beschädigten oder rostigen Druckbehälter betrieben werden. Stellen Sie Beschädigungen fest, so wenden Sie sich bitte an die Kundendienstwerkstatt.

### ⚠ Achtung!

**Das Kondenswasser aus dem Druckbehälter enthält Ölrückstände. Entsorgen Sie das Kondenswasser umweltgerecht bei einer entsprechenden Sammelstelle.**

## 10.3 Sicherheitsventil (Bild 3)

Das Sicherheitsventil (19) ist auf den höchstzulässigen Druck des Druckbehälters eingestellt. Es ist nicht zulässig, das Sicherheitsventil zu verstellen oder dessen Plombe zu entfernen. Damit das Sicherheitsventil im Bedarfsfall richtig funktioniert, muss dies von Zeit zu Zeit betätigt werden. Ziehen Sie so stark am Ring, bis die Druckluft hörbar abbläst. Anschließend lassen Sie den Ring wieder los.

## 10.4 Ölstand regelmäßig kontrollieren (Bild 11)

Kompressor auf eine ebene, gerade Fläche stellen. Der Ölstand muss sich zwischen MAX und MIN des Ölschauglases (18) befinden.

Ölwechsel: Empfohlenes Öl: SAE 15W 40 oder gleichwertiges. Die Erstfüllung muss nach 100 Betriebsstunden gewechselt werden; danach ist alle 500 Betriebsstunden das Öl abzulassen und neues nachzufüllen.

## 10.5 Ölwechsel (Bild 3, 10)

Schalten Sie den Motor ab und ziehen Sie den Netzstecker aus der Steckdose. Entfernen Sie den Ölverschlussstopfen (16). Nachdem Sie den eventuell vorhandenen Luftdruck abgelassen haben, können Sie die Öl-Ablassschraube (12) an der Verdichterpumpe (13) herausschrauben. Damit das Öl nicht unkontrolliert herausläuft, halten Sie eine kleine Blechrinne darunter und fangen Sie das Öl in einem Behälter auf. Falls das Öl nicht vollständig herausläuft, empfehlen wir den Kompressor ein wenig zu neigen. Ist das Öl herausgelaufen, setzen Sie die Öl-Ablassschraube (12) wieder ein.

**Das Altöl entsorgen Sie bei einer entsprechenden Annahmestelle für Altöl.**

Um die richtige Ölmenge einzufüllen, achten Sie darauf, dass der Kompressor auf einer geraden Fläche steht. Füllen Sie das neue Öl in die Öleinfüllöffnung (20), bis der Ölstand die maximale Füllmenge erreicht. Diese ist durch einen roten Punkt auf dem Öl – Schauglas (18) gekennzeichnet (Bild 11).

Überschreiten Sie nicht die maximale Füllmenge. Eine Überfüllung kann einen Geräteschaden zur Folge haben. Setzen Sie den Ölverschlussstopfen (16) wieder in die Öleinfüllöffnung (20).

## 10.6 Reinigen des Luftfilters (15) (Bild 3, 12, 13)

Der Luftfilter (15) verhindert das Einsaugen von Staub und Schmutz. Es ist notwendig, diesen Filter mindestens alle 300 Betriebsstunden zu reinigen. Ein verstopfter Luftfilter vermindert die Leistung des Kompressors erheblich.

Entfernen Sie den Luftfilter (15) indem Sie die Flügelschraube (E) öffnen.

Ziehen Sie danach den Filterdeckel (C) ab. Sie können nun den Luftfiltereinsatz (F) herausnehmen. Klopfen Sie Luftfiltereinsatz, Filterdeckel und Filtergehäuse vorsichtig aus. Diese Bauteile müssen danach mit Druckluft (ca. 3 bar) ausgeblasen und in umgekehrter Reihenfolge wieder montiert werden.

## 10.7 Lagerung

### ⚠ Achtung!

**Ziehen Sie den Netzstecker, entlüften Sie das Gerät und alle angeschlossenen Druckluftwerkzeuge. Stellen Sie den Kompressor so ab, dass dieser nicht von Unbefugten in Betrieb genommen werden kann.**

### ⚠ Achtung!

**Den Kompressor nur in trockener und für Unbefugte unzugänglicher Umgebung aufbewahren. Nicht kippen, nur stehend aufbewahren! Öl kann auslaufen!**

## 10.7.1 Ablassen des Überdrucks

Lassen Sie den Überdruck im Kompressor ab, indem Sie den Kompressor ausschalten und die noch im Druckbehälter vorhandene Druckluft verbrauchen, z.B. mit einem Druckluftwerkzeug im Leerlauf oder mit einer Ausblaspistole.

## 11. Entsorgung und Wiederverwertung

Das Gerät befindet sich in einer Verpackung um Transportschäden zu verhindern. Diese Verpackung ist Rohstoff und ist somit wieder verwendbar oder kann dem Rohstoffkreislauf zurückgeführt werden.

Das Gerät und dessen Zubehör bestehen aus verschiedenen Materialien, wie z.B. Metall und Kunststoffe. Führen Sie defekte Bauteile der Sondermüllentsorgung zu. Fragen Sie im Fachgeschäft oder in der Gemeindeverwaltung nach!



**Die Verpackung besteht aus umweltfreundlichen Materialien, die Sie über die örtlichen Recyclingstellen entsorgen können.**

**Möglichkeiten zur Entsorgung des ausgedienten Gerätes erfahren Sie bei Ihrer Gemeinde- oder Stadtverwaltung.**

## 12. Transport

Verwenden Sie zum Transport den Handgriff und fahren Sie damit den Kompressor.  
Beachten Sie beim Anheben des Kompressors dessen Gewicht (siehe Technische Daten).  
Sorgen Sie beim Transport des Kompressors in Kraftfahrzeugen für eine gute Ladungssicherung.

## 13. Störungsabhilfe

Störung	Mögliche Ursache	Abhilfe
Kompressor läuft nicht.	<ul style="list-style-type: none"><li>• Netzspannung nicht vorhanden.</li><li>• Netzspannung zu niedrig.</li><li>• Außentemperatur zu niedrig.</li><li>• Motor überhitzt.</li></ul>	<ul style="list-style-type: none"><li>• Kabel, Netzstecker, Sicherung und Steckdose überprüfen.</li><li>• Zu lange Verlängerungskabel vermeiden. Verlängerungskabel mit ausreichendem Aderquerschnitt verwenden.</li><li>• Nicht unter +5° C Außentemperatur betreiben.</li><li>• Motor abkühlen lassen ggf. Ursache der Überhitzung beseitigen.</li></ul>
Kompressor läuft, jedoch kein Druck.	<ul style="list-style-type: none"><li>• Sicherheitsventil (19) undicht.</li><li>• Dichtungen kaputt.</li><li>• Ablassschraube für Kondenswasser (10) undicht.</li></ul>	<ul style="list-style-type: none"><li>• Sicherheitsventil (19) austauschen.</li><li>• Dichtungen überprüfen, kaputte Dichtungen bei einer Fachwerkstatt ersetzen lassen.</li><li>• Schraube per Hand nachziehen.</li><li>• Dichtung auf der Schraube überprüfen, ggf. ersetzen.</li></ul>
Kompressor läuft, Druck wird am Manometer angezeigt, jedoch Werkzeuge laufen nicht.	<ul style="list-style-type: none"><li>• Schlauchverbindungen undicht.</li><li>• Schnellkupplung undicht.</li><li>• Zu wenig Druck am Druckregler (5) eingestellt.</li></ul>	<ul style="list-style-type: none"><li>• Druckluftschlauch und Werkzeuge überprüfen, ggf. austauschen.</li><li>• Schnellkupplung überprüfen, ggf. ersetzen.</li><li>• Druckregler weiter aufdrehen.</li></ul>

## 14. Garantiekunde

Sehr geehrte Kundin, sehr geehrter Kunde,

unsere Produkte unterliegen einer strengen Qualitätskontrolle. Sollte dieses Gerät dennoch einmal nicht einwandfrei funktionieren, bedauern wir dies sehr und bitten Sie, sich an unseren Servicedienst unter der auf dieser Garantiekarte angegebenen Adresse zu wenden. Gern stehen wir Ihnen auch telefonisch über die unten angegebene Servicrufnummer zur Verfügung. Für die Geltendmachung von Garantieansprüchen gilt Folgendes:

- Diese Garantiebedingungen regeln zusätzliche Garantieleistungen. Ihre gesetzlichen Gewährleistungsansprüche werden von dieser Garantie nicht berührt. Unsere Garantieleistung ist für Sie kostenlos.
- Die Garantieleistung erstreckt sich ausschließlich auf Mängel, die auf Material- oder Herstellungsfehler zurückzuführen sind und ist auf die Behebung dieser Mängel bzw. den Austausch des Gerätes beschränkt. Bitte beachten Sie, dass unsere Geräte bestimmungsgemäß nicht für den gewerblichen, handwerklichen oder industriellen Einsatz konstruiert wurden. Ein Garantievertrag kommt daher nicht zustande, wenn das Gerät in Gewerbe-, Handwerks- oder Industriebetrieben sowie bei gleichzusetzenden Tätigkeiten eingesetzt wird. Von unserer Garantie sind ferner Ersatzleistungen für Transportschäden, Schäden durch Nichtbeachtung der Montageanleitung oder aufgrund nicht fachgerechter Installation, Nichtbeachtung der Gebrauchsanleitung (wie durch z.B. Anschluss an eine falsche Netzspannung oder Stromart), missbräuchliche oder unsachgemäße Anwendungen (wie z.B. Überlastung des Gerätes oder Verwendung von nicht zugelassenen Einsatzwerkzeugen oder Zubehör), Nichtbeachtung der Wartungs- und Sicherheitsbestimmungen, Eindringen von Fremdkörpern in das Gerät (wie z.B. Sand, Steine oder Staub), Gewaltanwendung oder Fremdeinwirkungen (wie z. B. Schäden durch Herunterfallen) sowie durch verwendungsgemäßen, üblichen Verschleiß ausgeschlossen.

Der Garantieanspruch erlischt, wenn an dem Gerät bereits Eingriffe vorgenommen wurden.

- Die Garantiezeit beträgt 3 Jahre und beginnt mit dem Kaufdatum des Gerätes. Garantieansprüche sind vor Ablauf der Garantiezeit innerhalb von zwei Wochen, nachdem Sie den Defekt erkannt haben, geltend zu machen. Die Geltendmachung von Garantieansprüchen nach Ablauf der Garantiezeit ist ausgeschlossen. Die Reparatur oder der Austausch des Gerätes führt weder zu einer Verlängerung der Garantiezeit noch wird eine neue Garantiezeit durch diese Leistung für das Gerät oder für etwaige eingebaute Ersatzteile in Gang gesetzt. Dies gilt auch bei Einsatz eines Vor-Ort-Services.
- Für die Geltendmachung Ihres Garantieanspruches übersenden Sie bitte das defekte Gerät portofrei an die unten angegebene Adresse. Fügen Sie den Verkaufsbeleg im Original oder einen sonstigen datierten Kaufnachweis bei. Bitte bewahren Sie deshalb den Kassenschein als Nachweis gut auf! Beschreiben Sie uns bitte den Reklamationsgrund möglichst genau. Ist der Defekt des Gerätes von unserer Garantieleistung erfasst, erhalten Sie umgehend ein repariertes oder neues Gerät zurück.

Selbstverständlich beheben wir gegen Erstattung der Kosten auch gerne Defekte am Gerät, die vom Garantiefumfang nicht oder nicht mehr erfasst sind. Dazu senden Sie das Gerät bitte an unsere Serviceadresse.

# 15. Declaration of conformity



DE	erklärt folgende Konformität gemäß EU-Richtlinie und Normen für den Artikel	SK	prehlasuje nasledujúcu zhodu podľa smernice EU a noriem pre výrobok
GB	hereby declares the following conformity under the EU Directive and standards for the following article	EST	kinnitab järgmist vastavust vastavalt ELi direktiivi ja standardite järgmist artiklumbrit
FR	déclare la conformité suivante selon la directive UE et les normes pour l'article	LT	pareiškia, taip atitiktis pagal ES direktyvos ir standartai šį straipsnį
IT	dichiara la seguente conformità secondo le direttive e le normative UE per l'articolo	LV	apliecina šādu saskaņā ar ES direktīvu atbilstības un standartu šādu rakstu
CZ	prohlašuje následující shodu podle smernice EU a norem pro výrobek	NL	verklaart hierbij dat het volgende artikel voldoet aan de daarop betrekking hebbende EG-richtlijnen en normen
HU	az EU-irányelv és a vonatkozó szabványok szerinti következő megfeleloségi nyilatkozatot teszi a termékre	RUS	заявляет о соответствии товара следующим директивам и нормам ЕС
HR	ovime izjavljuje da postoji sukladnost prema EU-smjernica i normama za sljedece artikle	PT	declara o seguinte conformidade com a Directiva da UE e as normas para o seguinte artigo
RO	declară următoarea conformitate corespunzător directivelor și normelor UE pentru articolul	ES	declara la conformidad siguiente según la directiva la UE y las normas para el artículo
TR	Normları gereğince asagıdaki uygunluk açikla masını sunar.	DK	erklærer hermed, at følgende produkt er ioverensstemmelse med nedenstående EUDirektiver og standarder:
FIN	vakuuttaa täten, että seuraava tuote täyttää ala esitettyt EU-direktiivit ja standardit	SE	försäkrar härmed följande överensstämmelse enligt EU-direktiv och standarder för följande artikeln
PL	deklaruje, że produkt jest zgodny z następującymi dyrektywami UE i normami	NO	erklærer herved følgende samsvar under EU-direktiv og standarder for følgende artikkel
SLO	izjavlja sledeco skladnost z EU-direktivo in normami za artikel	BG	декларира съответното съответствие съгласно Директива на ЕС и норми за артикул

## Compressor PKO 500 A1 (Parkside)

<input checked="" type="checkbox"/>	2014/29/EU
<input checked="" type="checkbox"/>	2014/35/EU
<input checked="" type="checkbox"/>	2014/30/EU
<input type="checkbox"/>	2004/22/EC
<input checked="" type="checkbox"/>	2014/68/EU
<input type="checkbox"/>	90/396/EC
<input checked="" type="checkbox"/>	2011/65/EU

<input type="checkbox"/>	89/686/EC_96/58/EC
<input checked="" type="checkbox"/>	2006/42/EC <b>Annex IV</b> Notified Body: Notified Body No.: Reg. No.:
<input checked="" type="checkbox"/>	2000/14/EC_2005/88/EC <b>Annex V</b> <b>Annex VI</b> Noise: measured $L_{WA} = 95.4$ dB(A); guaranteed $L_{WA} = 97$ dB(A) $P = 1.8$ KW; $L/\varnothing =$ cm Notified Body: TÜV SÜD Industrie Service GmbH Notified Body No.: 0036

### Standard references: EN 1012-1; EN 60204-1; EN61000-6-1; EN 61000-6-3

The object of the declaration described above fulfils the regulations of the directive 2011/65/EU of the European Parliament and Council from 8th June 2011, on the restriction of the use of certain hazardous substances in electrical and electronic equipment.

Izjava o skladnosti za ovaj proizvod dostupna je na internet stranici [www.lidl.hr](http://www.lidl.hr)

Ichenhausen, den 18.08.2017

  
Unterschrift / Markus Bindhammer / Technical Director

First CE: 2017























Art.-No. 3906128974-3906128980; 39061289915-39061289916

I.-No.: 01001 - 52329

Subject to change without notice

Documents registrar: Andreas Pecher  
Günzburger Str. 69, D-89335 Ichenhausen



DE	 <p>Nur für EU-Länder Werfen Sie Elektrowerkzeuge nicht in den Hausmüll! Gemäß europäischer Richtlinie 2012/19/EU über Elektro- und Elektronik-Altgeräte und Umsetzung in nationales Recht müssen verbrauchte Elektrowerkzeuge getrennt gesammelt und einer umweltgerechten Wiederverwertung zugeführt werden.</p>	SK	 <p>Len pre štáty EÚ Elektrické náradie nevyhadzujte do komunálneho odpadu! Podľa európskej smernice 2012/19/EU o nakladaní s použitými elektrickými a elektronickými zariadeniami a zodpovedajúcich ustanovení právnych predpisov jednotlivých krajín sa použité elektrické náradie musí zbierať oddelene od ostatného odpadu a podrobiť ekologicky šetrnej recyklácii.</p>
GB	 <p>Only for EU countries. Do not dispose of electric tools together with household waste material! In observance of European directive 2012/19/EC on wasted electrical and electronic equipment and its implementation in accordance with national law, electric tools that have reached the end of their life must be collected separately and returned to an environmentally compatible recycling facility.</p>	SI	 <p>Samo za države članice EU. Električnih orodij ne mečite med gospodinjске odpadke! V skladu z evropsko smernico 2012/19/ES o električnih in elektronskih odpadnih napravah in pretvorbo v državno pravo je treba odpadna električna orodja zbirati ločeno ter jih predati v okolju prijazno reciklažo.</p>
FR	 <p>Pour les pays européens uniquement Ne pas jeter les appareils électriques dans les ordures ménagères! Conformément à la directive européenne 2012/19/UE relative aux déchets d'équipements électriques ou électroniques (DEEE), et à sa transposition dans la législation nationale, les appareils électriques doivent être collectés à part et être soumis à une recyclage respectueux de l'environnement.</p>	HU	 <p>Csak EU-tagállamoknak. Ne dobja az elektromos kéziszerszámot a háztartási hulladék közé! Az elektromos és elektronikus berendezések hulladékairól szóló 2012/19/EK irányelv, valamint ennek a nemzeti jogba való átültetése alapján a használt elektromos kéziszerszámokat külön, környezetvédő újrahasznosítás céljából kell gyűjteni.</p>
IT	 <p>Solo per i paesi EU. Non smaltire gli elettrodomestici con i rifiuti domestici! In conformità con la Direttiva Europea 2012/19/CE sui rifiuti di apparecchiature elettriche ed elettroniche e la sua attuazione nel diritto nazionale, gli elettrodomestici devono essere raccolti separatamente e riciclati nel rispetto dell'ambiente.</p>	HR	 <p>Samo za EU-države Električne alate ne odlažite u kućne otpatke! Prema Europskoj direktivi 2012/19/EU o starim električnim i elektroničkim strojevima i preuzimanju u nacionalno pravo moraju se istrošeni električni alati sakupljati odvojeno i odvesti u pogon za reciklažu.</p>
NL	 <p>Allen voor EU-landen Geef elektrisch gereedschap niet met het huisvuil mee! Volgens de Europese richtlijn 2012/19/EU inzake oude elektrische en elektronische apparaten en de toepassing daarvan binnen de nationale wetgeving, dient gebruikt elektrisch gereedschap gescheiden te worden ingezameld en te worden afgevoerd naar een recycle bedrijf dat voldoet aan de geldende milieu-eisen.</p>	CZ	 <p>Pouze pro země EU. Elektrický nástroj nelikvidujte v domácím odpadu! Podle evropské směrnice 2012/19/ES o odpadních elektrických a elektronických zařízeních a jejího provedení ve vnitrostátním právu musí být použité elektrické nástroje tříděny a odvezeny k ekologické recyklaci.</p>
ES	 <p>Solo para países de la UE. No arroje herramientas eléctricas a la basura doméstica. Conforme con la Directiva europea 2012/19/CE sobre Residuos de aparatos eléctricos y electrónicos y la transposición a la legislación nacional, los residuos de las herramientas eléctricas deben recogerse de manera selectiva y reciclarse de un modo respetuoso con el medio ambiente.</p>	PL	 <p>Tylko dla państw UE Proszę nie wyrzucać elektronarzędzi wraz z odpadami domowymi! Zgodnie z europejską Dyrektywą 2012/19/WE dot. zużytego sprzętu elektrycznego i elektronicznego oraz odpowiednikami w prawie narodowym zużyte elektronarzędzia muszą być oddzielnie zbierane i wprowadzane do ponownego użytku w sposób nieszkodliwy dla środowiska.</p>
PT	 <p>Apenas para países da UE Não deite ferramentas eléctricas no lixo doméstico! De acordo com a directiva europeia 2012/19/CE sobre ferramentas eléctricas e electrónicas usadas e a transposição para as leis nacionais, as ferramentas eléctricas usadas devem ser recolhidas em separado e encaminhadas a uma instalação de reciclagem dos materiais ecológica.</p>	BG	 <p>Не изхвърляйте електроинструменти заедно с битовите отпадъци! В съответствие с Европейската Директива 2012/19/ЕО относно отпадъци от електрическо и електронно оборудване и неговото прилагане в националното право, електрически инструменти, които трябва да се събират разделно и да се рециклират екологично бъде предоставена.</p>
SE	 <p>Gäller endast EU-länder Elektriska verktyg får inte kastas i hushållssoporna! Enligt direktivet 2012/19/EU som avser äldre elektrisk och elektronisk utrustning och dess tillämpning enligt nationell lagstiftning ska uttjänta elektriska verktyg sorteras separat och lämnas till miljövänlig återvinning.</p>	EE	 <p>Kehtib vaid EL maade suhtes. Ärge kasutage elektritööriistu koos majapidamisjäätmetega! Vastavalt EÜ direktiivile 2012/19/EC elektri- ja elektroonikaseadmete jäätmete osas ja kooskõlas igas riigis kehtivate seadustega, kehtib kohustus koguda kasutatud elektritööriistad eraldi kokku ja suunata need keskkonnasõbralikku taasinglusesse.</p>
FI	 <p>Koskee vain EU-maita Älä hävitä sähkötyökäluu tavallisen kotitalousjätteen mukana! Vanhoja sähkö- ja elektroniikkalaitteita koskevan EU-direktiivin 2012/19/ETY ja sen maakohtaisten sovellusten mukaisesti käytetyt sähkötyökäluu on toimitettava ongelmajätteen keräyspisteeseen ja ohjattava ympäristöstävälliseen kierrätykseen.</p>	LV	 <p>Tikai attiecībā uz ES valstīm. Neutilizējiet elektriskās ierīces kopā ar sadzīves atkritumiem! Ievērojot Eiropas Direktīvu 2012/19/EK par elektrisko un elektronisko iekārtu atkritumiem un tās ieviešanu saskaņā ar nacionālo likumdošanu, elektriskās ierīces, kas nokalpojūšas savu mūžu, ir jāsavāc daļiņā un jāatgriež videi draudzīgās pārstrādes vietās.</p>
NO	 <p>Kun for EU-land Kast aldri elektroverktøy i husholdningsavfallet! I henhold til EU-direktiv 2012/19/EF om kasserte elektriske og elektroniske produkter og direktivets iverksettning i nasjonal rett, må elektroverktøy som ikke lenger skal brukes, samles separat og returneres til et miljøvennlig gjenvinningsanlegg.</p>	LT	 <p>Tik ES šalims. Nemesti elektros prietaisų kartu su kitomis namų ūkio atliekomis! Pagal Europos Sąjungos direktyvą 2012/19/EB dėl elektros ir elektroninės įrangos atliekų ir jos vykdymo pagal nacionalinius įstatymus elektros įrankius, kurių tinkamumo naudoti laikas pasibaigė, reikia surinkti atskirai ir perduoti aplinkai nekenksmingo pakartotinio perdavimo įmonei.</p>
DK	 <p>Kun for EU-lande Eleværktøj må ikke bortskaffes som almindeligt affald! I henhold til det europæiske direktiv 2012/19/EF om bortskaffelse af elektriske og elektroniske produkter og gældende national lovgivning skal brugt eleværktøj indsamles separat og bortskaffes på en måde, der skåner miljøet mest muligt.</p>	GR	 <p>Μόνο για χώρες της Ε.Ε. Μην πετάτε τα ηλεκτρικά εργαλεία στα οικιακά απορρίμματα! Σύμφωνα με την Ευρωπαϊκή Οδηγία 2012/19/EK σχετικά με απόβλητα ηλεκτρικού και ηλεκτρονικού εξοπλισμού και τη μεταφορά της στο εθνικό δίκαιο, τα χρησιμοποιημένα ηλεκτρικά εργαλεία πρέπει να συλλέγονται χωριστά και να παραδίδονται προς επαναχρησιμοποίηση με τρόπο φιλικό προς το περιβάλλον.</p>



SCHEPPACH FABRIKATION VON HOLZBEARBEITUNGSMASCHINEN GMBH

Günzburger Str. 69  
D-89335 Ichenhausen

Last Information Update · Stanje informacija · Versiunea informajilor · Актуалност на информацията ·  
Έκδοση των πληροφοριών · Stand der Informationen  
Update: 08 / 2017 · Ident.-No.: 292195\_3906128980

IAN 292195

