



GB IE

LED ILLUMINATED MAGNIFIER

Operation and Safety Notes

6

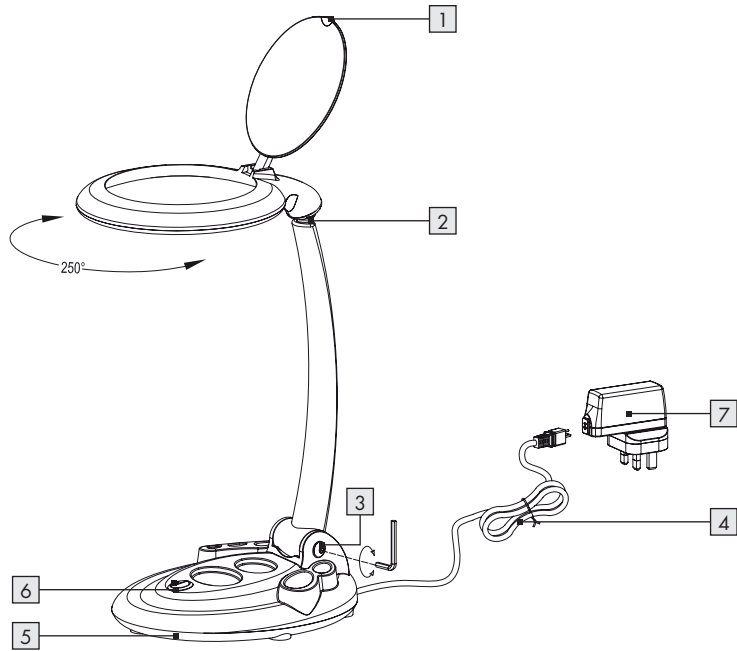
Z31304-BS

 **LIVARNO** LUX

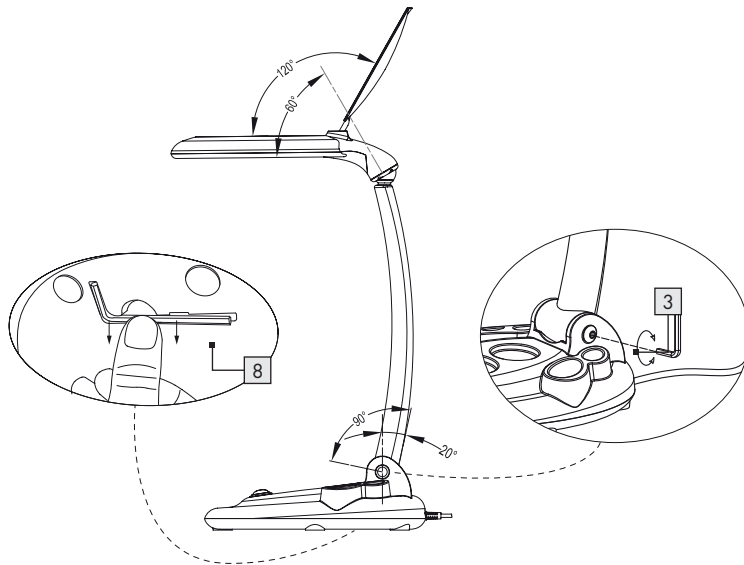




A



B



LED Illuminated Magnifier

● Intended use

This light is suitable only for use indoors. The product is not intended for commercial use.

● Description of parts

- 1 Flap for opening the magnifying glass cover
- 2 Swivel joint of the lamp shade
- 3 Joint with Allen screw for securing the swivel arm
- 4 Mains connection lead
- 5 Base with storage compartments
- 6 On / Off switch
- 7 Mains Adaptor
- 8 Allen key

● Technical data

Desk Lamp

Operating voltage: 12V $\overline{\text{---}}$, max. 450mA
LED: 72 x max. 0.06 W (The LED cannot be replaced)
Protection class: II

Mains Adaptor

Primary rated voltage: 220–240V~
50/60Hz
Secondary rated voltage: 12V $\overline{\text{---}}$, max. 0.58A
Protection Class: I
Model no.: WGLD-0712BCV

Magnifying glass

Magnitude lens: approx. 5 dioptré
Magnification: approx. 2.25 times


● Scope of delivery

- 1 LED-lamp with magnifier
- 1 Mains adaptor
- 1 Allen key
- 1 Set of operating instructions

● Safety



Safety notes

-  **WARNING! RISK OF FATAL INJURY AND ACCIDENT HAZARD FOR TODDLERS AND SMALL CHILDREN!** Never leave children unattended with the packaging material. The packaging material represents a danger of suffocation. Children frequently underestimate the dangers. Please keep children away from the device at all times.
- This product is not a toy and should not be played with by children. Children are not able to understand the dangers that can arise when handling this product.
- Children or persons lacking knowledge or experience in handling the device or have limited physical, sensory or mental abilities, must not use the device without supervision or instruction by a person responsible for their safety. Children must be supervised at all times to prevent them from playing with the device.







Avoid the danger of death from electric shock!

- Before use, ensure that the available mains voltage is the same as the required operating voltage for the device (220–240V~).
- Before connecting the device to the mains you should always check the device and the mains lead for any damage. A damaged device represents the danger of death from electric shock.
- Do not use the device if you discover it is damaged in any way.
- In the event of damage, repairs or other problems with the appliance, please contact an electrician.
- Never open a piece of electrical equipment or insert anything into it. Such interventions pose life-threatening danger due to electric shock.
- Never let the appliance come into contact with water or other liquids.
- Never touch the mains plug with damp or wet hands.

- Protect the mains lead from sharp edges, mechanical stress and hot surfaces.
- Never use the appliance in the immediate vicinity of a bath, shower or swimming pool.
- If the lamp is not to be used for an extended period (e.g. during your holidays), pull the mains adapter out of the mains socket.
- The power cable cannot be repaired! Should the cable be damaged, the product must be rendered useless and must be disposed off appropriately.



Avoid fire hazards and injury hazards

-  **CAUTION! RISK OF INJURY!** Broken safety glass must be replaced before the lamp is used again.
-  **RISK OF INJURY FROM BURNS!** Ensure that the lamp has been switched off and has cooled before touching it, to avoid burn injuries. Light bulbs can become very hot.
-  This lamp is suitable only for use indoors.
-  **CAUTION! FIRE HAZARD!** Never expose the magnifying glass to direct sunlight or other sources of light. Do not leave the product unattended. Otherwise there is a risk of fire through concentrated light rays and concentrated heat.
- Do not subject the device to any extreme temperatures or severe mechanical stress. Otherwise this may result in deformation of the product.
- Ensure that the lens does not come into contact with sharp or pointed objects, otherwise damage to the product may occur.

● Preparing the product for use

● Switching on / off

- First connect the mains lead **[4]** to the mains adapter **[7]** and then plug it into the mains socket.

- Press the on / off switch **[6]** to position „I“, in order to switch on the LED lamp.
- Press the on / off switch **[6]** to position „0“, in order to switch off the LED lamp.

● Adjusting the lamp

- Remove the Allen key **[8]** from the underside of the base **[5]** (see Fig.B).
- Loosen the Allen screw at the joint **[3]** of the base and adjust the angle of the swivel arm as required (see Fig.B).
- Afterwards, retighten the Allen screw to secure the swivel arm.
- Then secure the Allen key again to the underside of the base.
- Adjust the desired angle of the lamp shade with the aid of the swivel joint **[2]**.

● Using the magnifying glass

- Open the magnifying glass with the flap **[1]** intended for this purpose.
- In order for small objects to be seen enlarged under the lamp shade, look through the magnifying glass from above.
- In order to adjust the focus, alter the distance between the magnifying glass and the object.
- Snap shut the cover again, when you no longer need the magnifying glass.

● Cleaning and care



CAUTION! DANGER TO LIFE FROM ELECTRIC SHOCK!

For electrical safety reasons, never clean the lamp with water or other fluids, and never immerse it in water.

- Do not use solvents, such as petrol and the like, as they could damage the appliance.
- Only use a dry, lint-free cloth for cleaning.

● Disposal



The packaging is made from environmentally friendly materials, which may be disposed through your local recycling facilities.



Never dispose of the product and the bulb in your regular household rubbish.

Dispose of the product and light bulb through an authorised waste management company or your municipal disposal facilities.

Observe the applicable regulations. In case of doubt, please contact your waste disposal centre.

EMC CE



IAN 77273

OWIM GmbH & Co. KG

Stiftsbergstraße 1

D-74167 Neckarsulm

Model-No.: Z31304-BS

Version: 09 / 2012

© by **ORFGEN Marketing**

Last Information Update: 08 / 2012

Ident.-No.: Z31304-BS082012-6

