

# SILVER CREST®



## DESK FAN STVM 30 B2

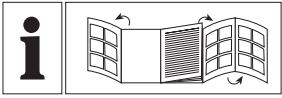
GB IE NI

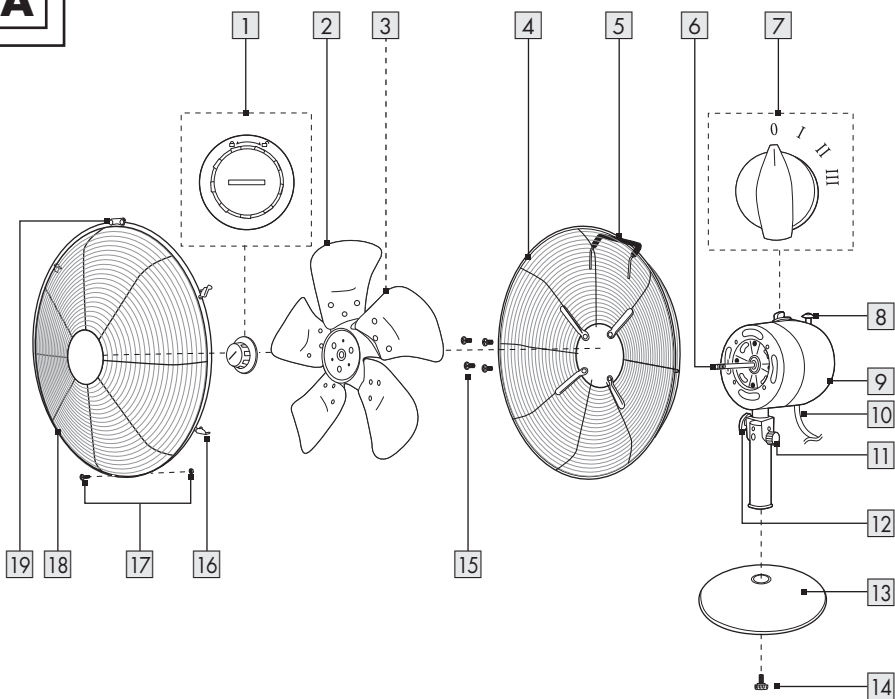
### DESK FAN

Operation and safety notes

IAN 384782\_2107

GB



**A**

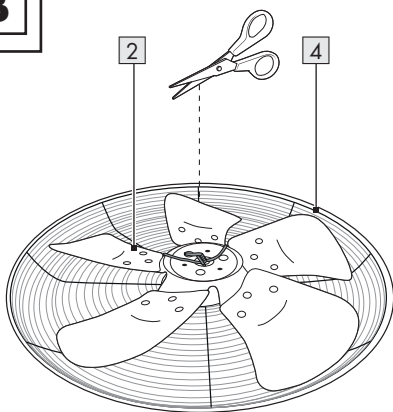
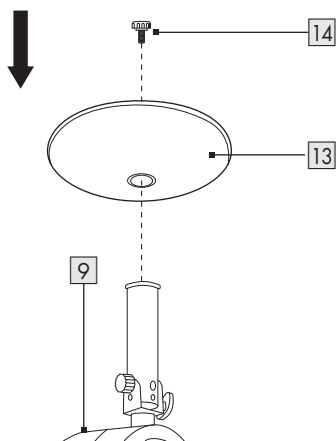
15 (x 4)

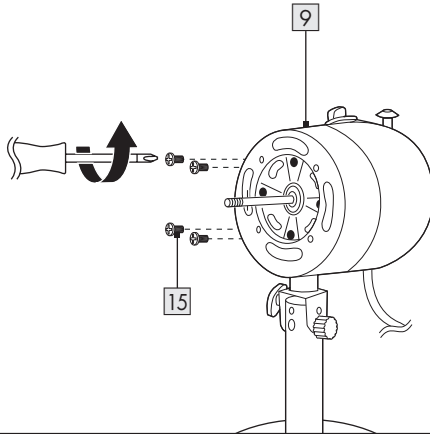
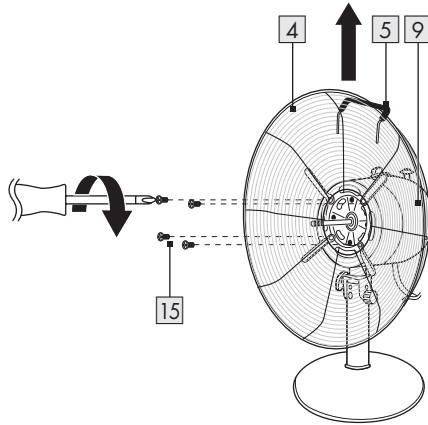
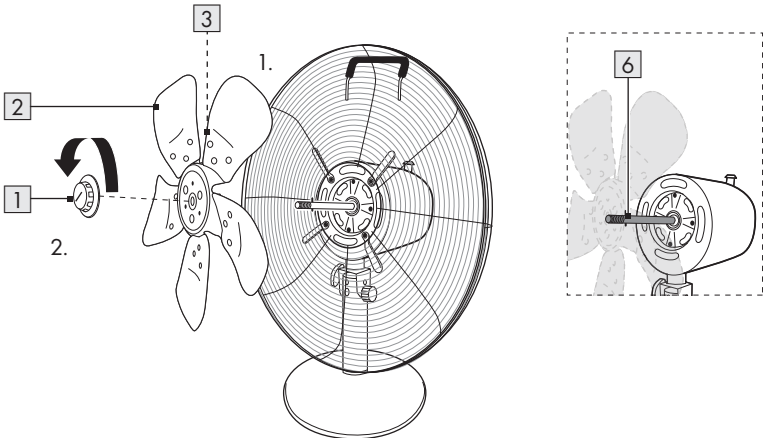


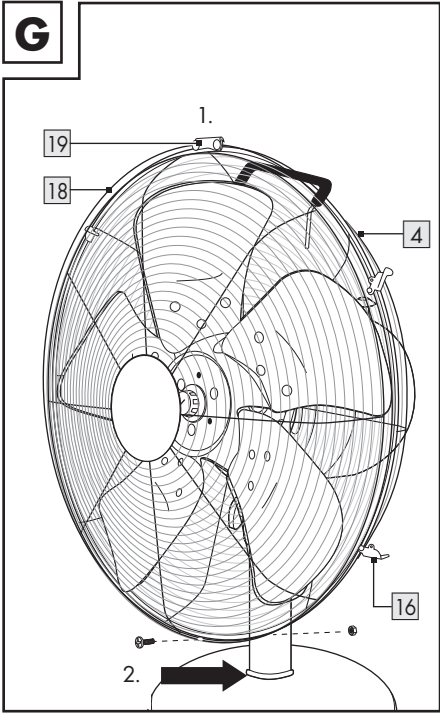
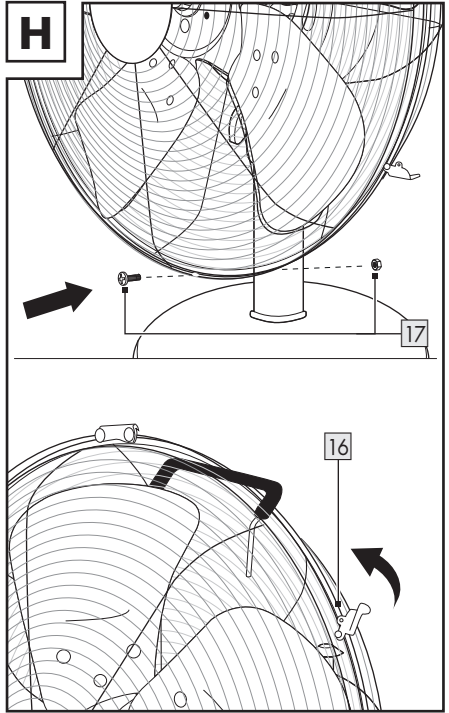
14



17

**B****C**










**D****E****F**

**G****H**

<b>Warnings and symbols used</b> .....	Page	6
<b>Introduction</b> .....	Page	6
Intended use .....	Page	6
Scope of delivery .....	Page	7
Description of parts .....	Page	7
Technical data .....	Page	7
<b>Safety instructions</b> .....	Page	8
<b>Before use</b> .....	Page	10
Unpacking .....	Page	10
Assembly .....	Page	10
Tilt adjustment .....	Page	10
<b>Operation</b> .....	Page	11
Fan speed .....	Page	11
Oscillation .....	Page	11
<b>Cleaning and care</b> .....	Page	11
<b>Storage</b> .....	Page	11
<b>Disposal</b> .....	Page	12
<b>Warranty</b> .....	Page	13
Warranty claim procedure .....	Page	13
<b>Service</b> .....	Page	13

## Warnings and symbols used

The following warnings are used in this user manual and on the packaging:

	<p><b>DANGER!</b> This symbol in combination with the signal word “Danger” marks a high-risk hazard that if not prevented could result in death or serious injury.</p>		<p><b>NOTE:</b> This symbol in combination with “Note” provides additional useful information.</p>
	<p><b>WARNING!</b> This symbol in combination with the signal word “Warning” marks a medium-risk hazard that if not prevented could result in death or serious injury.</p>		<p>Danger – Risk of electric shock!</p>
	<p><b>CAUTION!</b> This symbol in combination with the signal word “Caution” marks a low-risk hazard that if not prevented could result in minor or moderate injury.</p>		<p>Only use the product in dry indoor rooms.</p>
	<p>CE mark indicates conformity with relevant EU directives applicable for this product.</p>		<p>UKCA mark indicates conformity with relevant Great Britain regulations applicable for this product (The UKCA mark logo is valid in Great Britain only).</p>
			<p>Do not put fingers through the grille.</p>

## DESK FAN

### ● Introduction

We congratulate you on the purchase of your new product. You have chosen a high quality product. The instructions for use are part of the product. They contain important information concerning safety, use and disposal. Before using the product, please familiarise yourself with all of the safety information and instructions for use. Only use the product as described and for the specified applications. If you pass the product on to anyone else, please ensure that you also pass on all the documentation with it.

### ● Intended use

This product is intended to produce a cooling airflow. Any other use not mentioned in these instructions may cause a damage to the product or create a serious risk of injury.

This product is only intended for private household use, not for commercial purposes.

The manufacturer accepts no liability for damages caused by improper use.

## ● Scope of delivery

- Unpack the product. Remove the transport locks. Accessory needed: Pair of scissors (Fig. B)
- After unpacking the product, check if all parts are complete and in good condition. Remove all packaging materials, including protective foils, before use.


- 1x Motor unit (with lock cap and lock screws (x 4)) and pole (with knurled screw)
- 1x Base
- 1x Front grille (with lock screw and lock nut)
- 1x Rear grille
- 1x Blade

① **NOTE:** Various removable components are delivered pre-assembled (see "Description of parts").

## ● Description of parts

Before reading, unfold the page containing the illustrations and familiarise yourself with all the functions of the product.

Fig. A

- 1 \* Lock cap 
- 2 Blade
- 3 Groove
- 4 Rear grille
- 5 Handle
- 6 Motor shaft
- 7 Speed control knob (0, I, II, III)
- 8 Oscillation control knob
- 9 Motor unit
- 10 Power cord with power plug
- 11 \* Screw and nut
- 12 \* Knob (tilt adjustment)
- 13 Base

- 14 \* Knurled screw
- 15 \* Lock screws (M5 x 8 mm) (x 4) (rear grille)
- 16 Grille clips (x 4)
- 17 \* Lock screw (M2.5 x 10 mm) and lock nut (grille)
- 18 Front grille
- 19 Hanging device
- \* pre-assembled

## ● Technical data

Input voltage: 220–240 V~, 50–60 Hz

Power consumption: 45 W

Description	Symbol	Value	Unit
Maximum fan flow rate	F	62.92	m <sup>3</sup> /min
Fan power input	P	38.8	W
Service value	SV	1.62	(m <sup>3</sup> /min)/W
Standby power consumption	P <sub>SB</sub>	0.0	W
Fan sound power level	L <sub>WA</sub>	60.5	dB(A)
Maximum air velocity	C	3.32	meters/sec
Measurement standard for service value	IEC 60879:1986 (corr. 1992)		
Contact details for obtaining more information	OWIM GmbH & Co. KG Stiftsbergstraße 1 74167 Neckarsulm GERMANY <a href="http://www.owim.com">www.owim.com</a>		





## Safety instructions

**BEFORE USING THE PRODUCT, PLEASE FAMILIARISE YOURSELF WITH ALL OF THE SAFETY INFORMATION AND INSTRUCTIONS FOR USE! WHEN PASSING THIS PRODUCT ON TO OTHERS, PLEASE ALSO INCLUDE ALL THE DOCUMENTS!**

In the case of damage resulting from non-compliance with these operating instructions the warranty claim becomes invalid! No liability is accepted for consequential damage! In the case of material damage or personal injury caused by incorrect handling or non-compliance with the safety instructions, no liability is accepted!

## Children and persons with disabilities

### **⚠ DANGER! Risk of**

**suffocation!** Never leave children unsupervised with the packaging material. The packaging material represents a danger of suffocation. Children frequently underestimate the dangers. Always keep children away from the packaging material.

- This product can be used by children aged from 8 years and above and persons with reduced physical, sensory or mental capabilities, or lack of experience and knowledge if they have been given supervision or instruction concerning use of the product in a safe way and understand the hazards involved.

Cleaning and user maintenance shall not be made by children without supervision.

Children shall not play with the product.

## Electrical safety

### **⚠ WARNING! Risk of injury!**

Switch the product off and disconnect it from the power supply before cleaning work and when not in use.

### **⚠ WARNING! Risk of electric**

**shock!** Ensure the rated voltage shown on the rating label corresponds with the voltage of the power supply.

### **⚠ WARNING! Risk of electric**

**shock!** If the supply cord is damaged, it must be replaced by the manufacturer, its service agent or similarly qualified persons in order to avoid a hazard.

## Operation

- Only use the product in dry indoor rooms.
- Protect the product, its power cord and power plug against dust, direct sunlight, dripping and splashing water.

### **⚠ CAUTION! Risk of injury!**

Ensure that the fan is switched off from the supply mains before removing the guard.

### **⚠ CAUTION! Risk of injury!**

Never use the product without the safety grille or with a damaged safety grille.

### **⚠ CAUTION! Risk of injury!**

During use, keep hands, hair, clothing and utensils away from the safety grille to avoid injuries and damage of the product.

## ● Before use


## ● Unpacking

- Remove the packaging. Check if the product is damaged.

## ● Assembly

- Accessory needed: Cross head screwdriver
- Number of persons needed for assembly: 1 adult

### Fig. Step

- C
1. Remove the knurled screw **14** from the pole on the motor unit **9**.
  2. Place the pole on the base **13**.
  3. Fasten with the knurled screw **14**.
- 
- D
- Remove the 4 lock screws **15** from the motor unit **9**.
- 
- E
1. Align the rear grille handle **5** upwards and to the rear. Attach the rear grille **4** to the motor unit **9**.
  2. Tighten with the 4 lock screws **15**.
- 
- F
1. Place the blade **2** on the motor shaft **6**. Insert the pins on the motor shaft into the groove **3** on the rear of the blade.
  2. Tighten the lock cap **1** on the motor shaft **6** (direction of rotation: .

### Fig. Step

1. Remove the lock screw and the lock nut **17** from the front grille **18**.
  2. Loosen the grille clips **16** from the front grille **18**.
- G
3. Centre the hanging device **19** of the front grille **18** on the rear grille **4**.
- i** **NOTE:** The 4 grille clips **16** must fit over the frame of the rear grille **4** and the front grille **18**.

---

Insert and fasten the lock screw and the lock nut **17**. Close the 4 grille clips **16** over the frame of the rear grille **4** and the front grille **18**.

- H
- i** **NOTE:** The lock screw and the lock nut **17** are very small. Do not lose or drop these fasteners.

## ● Tilt adjustment

- Loosen the knob **12**.
- Adjust the tilt angle manually.
- Tighten the knob **12** again.
- Do not perform the tilt adjustment when the product is in operation.

## ● Operation

- Place the product on a flat, stable ground.
- Connect the power plug **10** to a suitable socket-outlet.

## ● Fan speed

- Rotate the speed control knob **7** to turn the product on/off and to select the fan speed setting:

Position	Function
<b>0</b>	Off
<b>I</b>	Low fan speed
<b>II</b>	Medium fan speed
<b>III</b>	Maximum fan speed

## ● Oscillation

- Adjust the oscillation control knob **8**:

Knob position	Oscillation*
Pulled out	Off
Pushed in	On

\* during operation

## ● Cleaning and care

- Before cleaning: Rotate the speed control knob **7** to the **0** position. Disconnect the power plug **10** from the socket-outlet.
- Clean the product with a slightly moistened cloth.
- Do not allow any water or other liquids to enter the motor unit **9**.

**⚠ WARNING!** Do not immerse the electrical parts of the product in water or other liquids. Never hold the product under running water.

- Both rear grille **4** and front grille **18** must not be removed under any circumstances.
- Clean the the rear grille **4** and the front grille **18** with a vacuum cleaner and a damp cloth only.

## ● Storage

- When not in use, store the product in its original packaging.
- Store the product in a dry, secure location away from children.

## ● **Disposal**

The packaging is made entirely of recyclable materials, which you may dispose of at local recycling facilities.



Observe the marking of the packaging materials for waste separation, which are marked with abbreviations (a) and numbers (b) with following meaning: 1-7: plastics / 20-22: paper and fibreboard / 80-98: composite materials.



The product and packaging materials are recyclable, dispose of it separately for better waste treatment.

The Triman logo is valid in France only.



Contact your local refuse disposal authority for more details of how to dispose of your worn-out product.



To help protect the environment, please dispose of the product properly when it has reached the end of its useful life and not in the household waste. Information on collection points and their opening hours can be obtained from your local authority.

## ● **Warranty**

The product has been manufactured to strict quality guidelines and meticulously examined before delivery. In the event of product defects you have legal rights against the retailer of this product. Your legal rights are not limited in any way by our warranty detailed below.

The warranty for this product is 3 years from the date of purchase. The warranty period begins on the date of purchase. Please keep the original sales receipt in a safe location. This document is required as your proof of purchase.

Should this product show any fault in materials or manufacture within 3 years from the date of purchase, we will repair or replace it – at our choice – free of charge to you. This warranty becomes void if the product has been damaged, or used or maintained improperly.

The warranty applies to defects in material or manufacture. This warranty does not cover product parts subject to normal wear, thus possibly considered consumables (e.g. batteries) or for damage to fragile parts, e.g. switches, rechargeable batteries or glass parts.

## ● **Warranty claim procedure**

To ensure quick processing of your case, please observe the following instructions:

Please have the till receipt and the item number (IAN 384782\_2107) available as proof of purchase.

You will find the item number on the rating plate, an engraving, on the front page of the instructions for use (bottom left), or as a sticker on the rear or bottom of the product.

If functional or other defects occur, please contact the service department listed either by telephone or by e-mail.

You can return a defective product to us free of charge to the service address that will be provided to you. Ensure that you enclose the proof of purchase (till receipt) and information about what the defect is and when it occurred.

## ● **Service**

### ⓐ **Service Great Britain**

Tel.: 08000569216

E-Mail: owim@lidl.co.uk

### ⓑ **Service Ireland**

Tel.: 1800 200736

### ⓒ **Service Northern Ireland**

Tel.: 0800 0927852

E-Mail: owim@lidl.ie



**OWIM GmbH & Co. KG**

Stiftsbergstraße 1  
74167 Neckarsulm  
GERMANY

Model No.: HG07467A-BS / HG07467B-BS / HG07467C-BS  
Version: 02/2022

IAN 384782\_2107

