



## TOP HANDLE PETROL CHAINSAW - PBBPS 700 A1 BENZIN-BAUMPFLLEGESÄGE - PBBPS 700 A1 TRONÇONNEUSE D'ÉLAGAGE À ESSENCE - PBBPS 700 A1

(GB) (IE) (NI) (CY) (MT)

### TOP HANDLE PETROL CHAINSAW

Operating and Safety Instructions.  
Translation of Original Operating Manual

(FR) (BE) (CH)

### TRONÇONNEUSE D'ÉLAGAGE À ESSENCE

Consignes d'utilisation et de sécurité. Traduction des instructions d'origine

(CZ)

### BENZINOVÁ PÍLA PRO OŠETŘOVÁNÍ STROMŮ

Pokyny pro obsluhu a bezpečnostní pokyny. Překlad originálního provozního návodu

(SK)

### BENZINOVÁ PÍLA NA OŠETROVANIE STROMOV

Pokyny pre obsluhu a bezpečnostné pokyny. Preklad originálneho návodu na obsluhu

(DK)

### BENZIN TRÆPLEJESAV

Drifts- og sikkerhedsinstruktioner. Oversættelse af den originale driftsvejledning

(HU)

### BENZINES FAAPOLÓ FŰRÉSZ

Kezelési és biztonsági útmutató. Az eredeti használati útmutató fordítása

(HR)

### BENZINSKA PÍLA ZA NJEGU STABALA

Upute za posluživanje i za Vašu sigurnost. Prijevod originalnih uputa za uporabu

(BG)

### БЕНЗИНОВ ТРИОН ЗА ПОДДЪРЖАНЕ НА ДЪРВЕТА

Инструкции за обслужване и безопасност. Превод на оригиналното ръководство за експлоатация

(DE) (AT) (CH)

### BENZIN-BAUMPFLLEGESÄGE

Bedienungs- und Sicherheitshinweise.  
Originalbetriebsanleitung

(NL) (BE)

### BENZINE-BOOMVERZORGINGSZAAG

Bedienings- en veiligheidsinstructies. Vertaling van de originele handleiding

(PL)

### BENZYNOWA PÍLA DO PIELEGNACJI DRZEW

Wskazówki dotyczące obsługi i bezpieczeństwa. Tłumaczenie oryginalnej instrukcji obsługi

(ES)

### MOTOSIERRA DE PODA DE GASOLINA

Instrucciones de utilización y de seguridad. Traducción del manual de instrucciones original

(IT) (MT) (CH)

### MOTOSEGA A BENZINA PER POTATURA

Indicazioni per l'uso e per la sicurezza. Traduzione delle istruzioni d'uso originali

(SI)

### BENCINSKA ŽAGA ZA NEGO DREVES

Navodila za upravljanje in varnostna opozorila. Prevod originalnega navodila za uporabo

(RO)

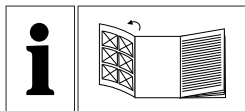
### FERĂSTRĂU PENTRU ÎNGRIJIREA ARBORILOR, PE BENZINĂ

Instrucțiuni de utilizare și de siguranță. Traducerea instrucțiunilor de utilizare originale

(GR) (CY)

### ΒΕΝΖΙΝΟΚΙΝΗΤΟ ΑΛΥΣΟΠΡΙΟΝΟ ΠΕΡΙΠΟΙΗΣΗΣ ΔΕΝΤΡΩΝ

Οδηγίες χειρισμού και ασφαλείας. Μετάφραση του πρωτοτύπου των οδηγιών χρήσης



(GB) (IE) (NI) (CY) (MT)

Before reading, unfold the page containing the illustrations and familiarise yourself with all functions of the device.

(DE) (AT) (CH)

Klappen Sie vor dem Lesen die Seite mit den Abbildungen aus und machen Sie sich anschließend mit allen Funktionen des Gerätes vertraut.

(FR) (BE) (CH)

Avant de lire le mode d'emploi, ouvrez la page contenant les illustrations et familiarisez-vous ensuite avec toutes les fonctions de l'appareil.

(NL) (BE)

Vouw vóór het lezen de pagina met de afbeeldingen open en maak u vertrouwd met alle functies van het apparaat.

(CZ)

Před čtením si otevřete stranu s obrázky a potom se seznámte se všemi funkcemi přístroje.

(PL)

Przed przeczytaniem proszę rozłożyć stronę z ilustracjami, a następnie proszę zapoznać się z wszystkimi funkcjami urządzenia.

(SK)

Pred čítaním si odklopte stranu s obrázkami a potom sa oboznámte so všetkými funkciami prístroja.

(DK)

Før du læser, vend siden med billeder frem og bliv bekendt med alle apparatets funktioner.

(IT) (MT) (CH)

Prima di leggere aprire la pagina con le immagini e prendere confidenza con le diverse funzioni dell'apparecchio.

(HU)

Olvasás előtt kattintson az ábrát tartalmazó oldalra és végezetül ismerje meg a készülék mindegyik funkcióját.

(SI)

Pred branjem odprite stran s slikami in se nato seznanite z vsemi funkcijami naprave.

(HR)

Prije nego što pročitate tekst, otvorite stranicu sa slikama i upoznajite se na osnovu toga sa svim funkcijama uređaja.

(RO)

Înainte de a citi instrucțiunile, priviți imaginile și familiarizați-vă cu toate funcțiile aparatului.

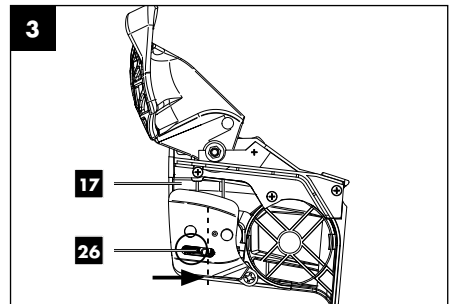
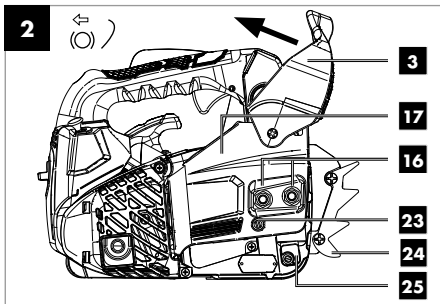
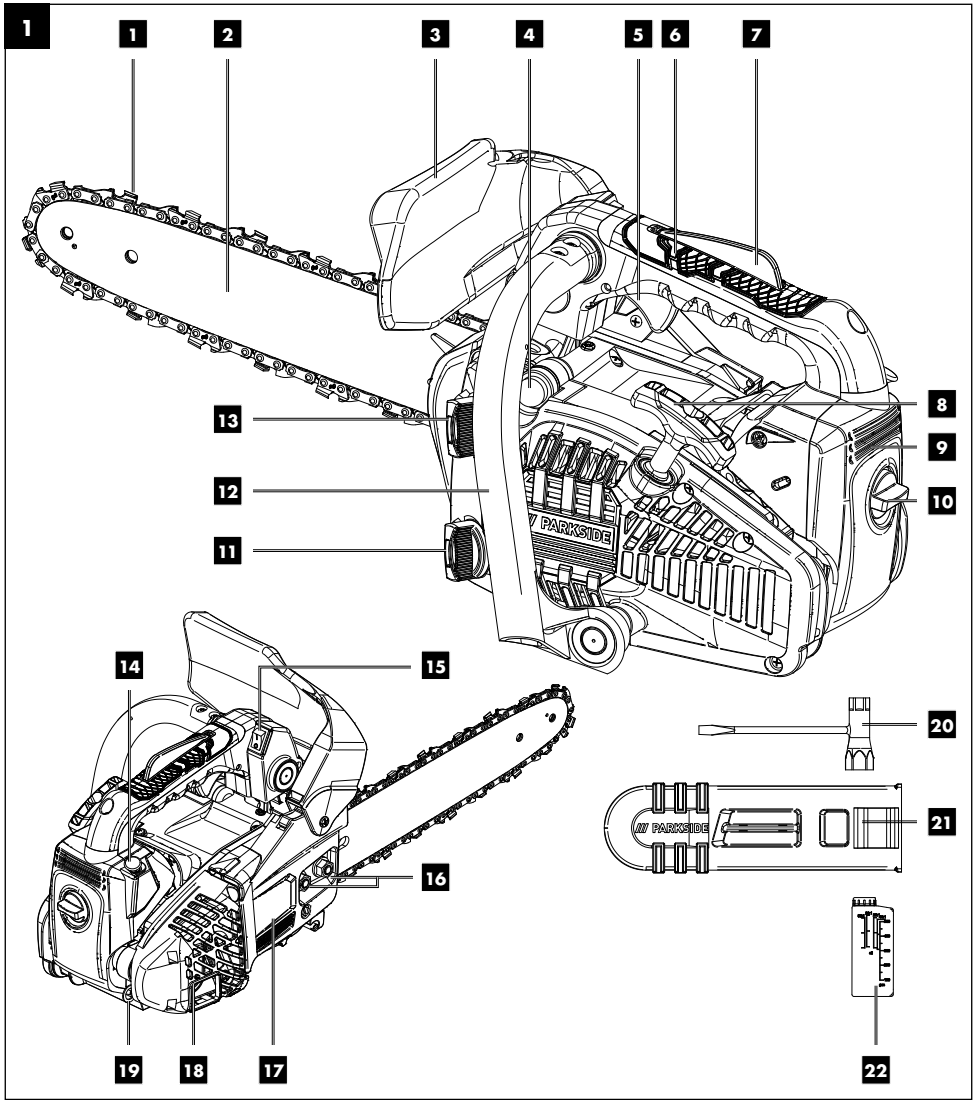
(BG)

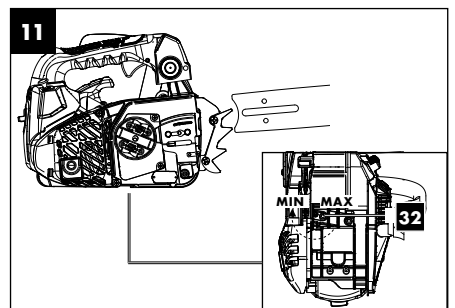
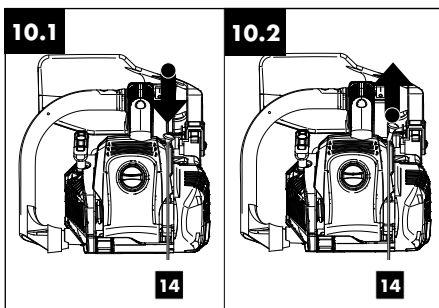
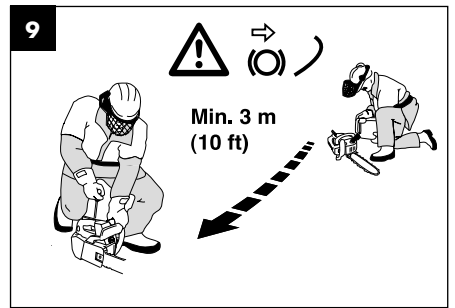
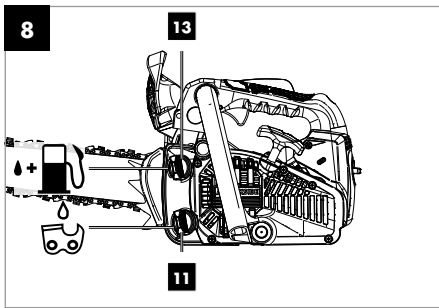
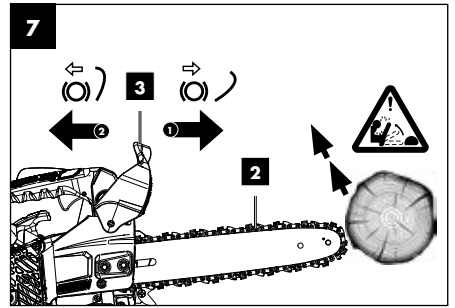
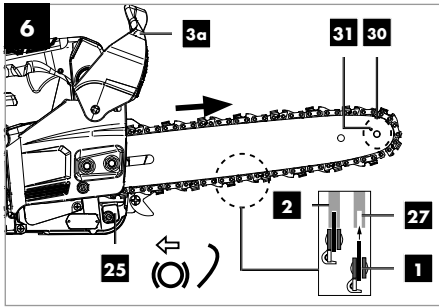
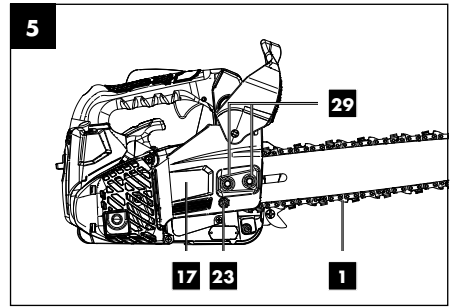
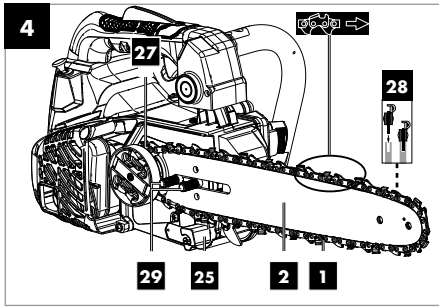
Преди да прочетете отворете страницата с фигурите и след това се запознайте с всички функции на уреда.

(GR) (CY)

Πριν ξεκινήσετε την ανάγνωση, ανοίξτε τη σελίδα με τις εικόνες και εξοικειωθείτε με όλες τις λειτουργίες της συσκευής.

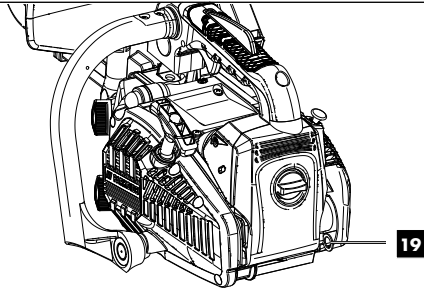
GB / IE / NI / CY / MT	Operating and Safety Instructions	Page	01
DE / AT / CH	Bedienungs- und Sicherheitshinweise	Seite	24
FR / BE / CH	Consignes d'utilisation et de sécurité	Page	49
NL / BE	Bedienings- en veiligheidsinstructies	Pagina	75
CZ	Pokyny pro obsluhu a bezpečnostní pokyny	Strana	100
PL	Wskazówki dotyczące obsługi i bezpieczeństwa	Strona	124
SK	Pokyny pre obsluhu a bezpečnostné pokyny	Strana	149
ES	Instrucciones de utilización y de seguridad	Página	173
DK	Drifts- og sikkerhedsinstruktioner	Side	198
IT / MT / CH	Indicazioni per l'uso e per la sicurezza	Pagina	221
HU	Kezelési és biztonsági útmutató	Oldal	246
SI	Navodila za upravljanje in varnostna opozorila	Stran	271
HR	Upute za posluživanje i za Vašu sigurnost	Stranica	295
RO	Instrucțiuni de utilizare și de siguranță	Pagina	318
BG	Инструкции за обслужване и безопасност	Страница	345
GR / CY	Οδηγίες χειρισμού και ασφαλείας	Σελίδα	372



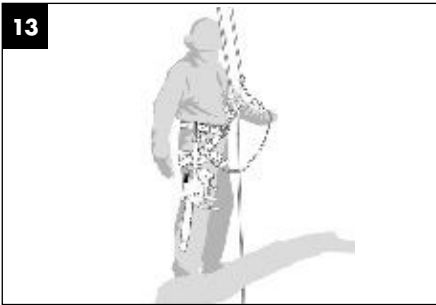




12



13



14



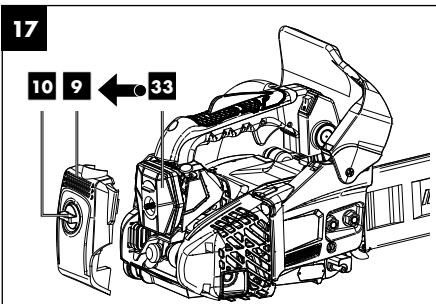
15



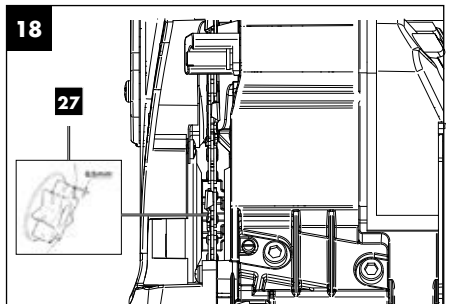
16

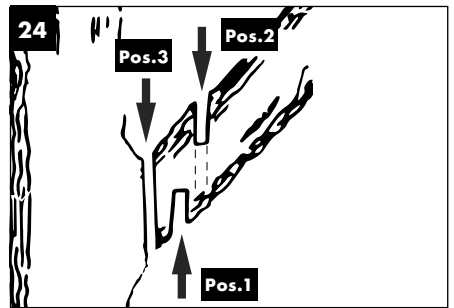
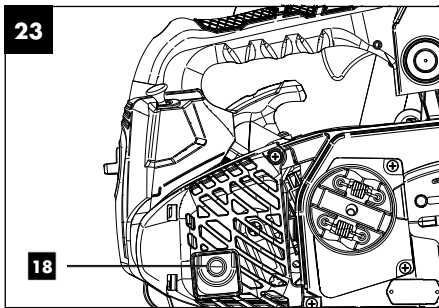
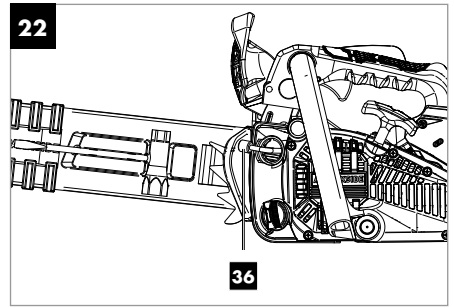
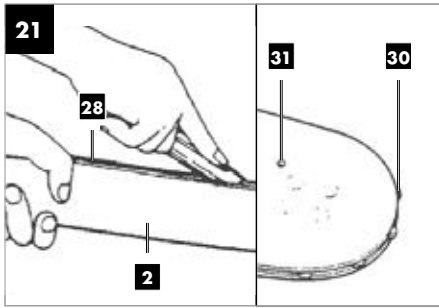
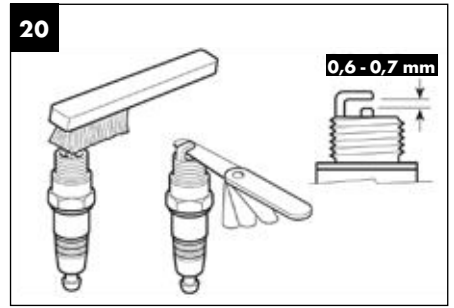
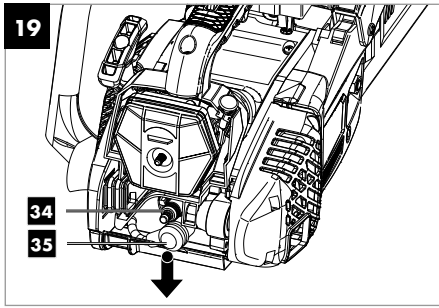


17



18




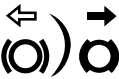






---

1.	Explanation of the symbols on the device .....	2
2.	User note .....	3
3.	Introduction.....	4
4.	Device description .....	4
5.	Scope of delivery .....	4
6.	Proper use.....	5
7.	Safety information .....	5
8.	Technical data .....	10
9.	Before commissioning .....	10
10.	Commissioning .....	12
11.	Usage.....	14
12.	Transport.....	16
13.	Cleaning and maintenance .....	17
14.	Storage .....	20
15.	Disposal and recycling .....	21
16.	Troubleshooting.....	21
17.	Warranty certificate .....	22
18.	Exploded view.....	398
19.	Declaration of conformity .....	400

## 1. Explanation of the symbols on the device

	Read, understand and follow all warning information.		Read the entire operating manual before using the device.
	Warning! Risk of kick-back. Beware of the kick-back of the chainsaw and avoid making contact with the tip of the guide bar.		Do not operate the device in rain or in humid conditions.
	Wear eye protection. Wear hearing protection.		Wear a safety helmet.
	Always wear safety and anti-vibration gloves when using the device.		Always wear non-slip safety shoes with cut protection when using the device.
	It is important to wear protective clothing for feet, legs, hands and forearms.		Always use the chainsaw with both hands. Do not use the chainsaw one-handed.
	Attention! Chainsaw use in combination with rope climbing techniques. Before starting work, ensure that you familiarise yourself with all work instructions!		Naked flames are forbidden in the workplace!
	Filling port for fuel. Oil and fuel mixture 1:40		Direction of rotation
	Oil tank cap for chain oil		Adjusting the chain brake: White arrow: Chain brake inactive Black arrow: Chain brake active
	Cold start lever (choke)		Release chain brake
	Apply chain brake		Installation direction of the saw chain
	Chain lubrication setting		Guaranteed sound power level of the device.

	<p>Attention! Hot parts.</p>	 <p>push primer 6 times      Push primer 6 times</p>
<p><b>DANGER</b></p>	<p>Signal word to indicate an imminently hazardous situation which, if not avoided, will result in death or serious injury.</p>	
<p><b>WARNING</b></p>	<p>Signal word to indicate a potentially hazardous situation which, if not avoided, could result in death or serious injury.</p>	
<p><b>CAUTION</b></p>	<p>Signal word to indicate a potentially hazardous situation which, if not avoided, could result in minor or moderate injury.</p>	
<p><b>NOTE</b></p>	<p>Signal word to indicate a potentially hazardous situation which, if not avoided, could result in product or property damage.</p>	

## 2. User note

### WARNING:

**Before initial commissioning, read the operating manual thoroughly and be sure to follow the safety instructions! These tree pruning saws may only be operated by "Tree pruning saw operators with additional training for work using raised platforms or ladder platforms and/or using rope climbing techniques"!**

**Keep the operating manual in a safe place!**

### Note:

**Please note that some national regulations could restrict the use of the machine.**



This tree pruning saw is specially designed for tree pruning and tree surgery. All work with the pruning saw is specially designed for tree care and tree surgery. All work with this pruning saw may only be carried out by trained pruning saw operators!

### 3. Introduction

#### MANUFACTURER:

**Schepach GmbH**  
Günzburger Straße 69  
D-89335 Ichenhausen

#### DEAR CUSTOMER,

We hope your new tool brings you much enjoyment and success.

#### NOTE:

In accordance with the applicable product liability laws, the manufacturer of this device assumes no liability for damage to the device or caused by the device arising from:

- Improper handling,
- Failure to comply with the operating instructions.
- Repairs carried out by third parties, unauthorised specialists.
- Installing and replacing non-original spare parts,
- Application other than specified.

#### Please consider:

Read through the complete text in the operating manual before installing and commissioning the device.

The operating manual is intended to help the user to become familiar with the machine and take advantage of its application possibilities in accordance with the recommendations.

The operating manual includes important instructions for safe, proper and economic operation of the device, for avoiding danger, for minimising repair costs and downtimes, and for increasing the reliability and extending the service life of the device.

In addition to the safety instructions in this operating manual, you must also observe the regulations applicable to the operation of the device in your country.

Keep the operating manual package with the machine at all times and store it in a plastic cover to protect it from dirt and moisture. They must be read and carefully observed by all operating personnel before starting the work.

The device may only be used by personnel who have been trained to use it and who have been instructed with respect to the associated hazards. The required minimum age must be observed.

In addition to the safety instructions in this operating manual and the separate regulations of your country, the generally recognised technical rules relating to the operation of such machines must also be observed.

We accept no liability for accidents or damage that occur due to a failure to observe this manual and the safety instructions.

### 4. Device description

1. Saw chain
2. Guide rail
3. Front hand guard
4. Fuel pump primer
5. Throttle
6. Rear handle
7. Throttle interlock
8. Start pull cord
9. Air filter cover
10. Lock for the air filter cover
11. Chain oil tank cap
12. Front handle
13. Fuel tank cap
14. Cold start lever (choke)
15. On/off switch
16. Fixing nuts
17. Chain cover
18. Silencer
19. Suspension device
20. Spark plug wrench / slotted screwdriver
21. Guide bar cover
22. Mixing container
23. Chain tensioning screw
24. Claw stop
25. Chain catcher
26. Chain tensioning pin
27. Chain wheel
28. Guide groove
29. Fastening pins
30. Sprocket
31. Lubrication port
32. Oil adjustment screw
33. Air filter
34. Spark plug
35. Spark plug connector
36. Suction head

### 5. Scope of delivery

- Tree pruning saw
- Saw chain
- Guide rail
- Guide bar cover
- Spark plug wrench / slotted screwdriver
- Mixing container

## 6. Proper use

This device is a particularly light, handy tree pruning saw with an overhead handle. The tree pruning saw has been specially developed for tree surgery and tree care. These tree pruning saws may therefore only be operated by "Tree pruning saw operators with additional training for work using raised platforms or ladder platforms and/or using rope climbing techniques".

For occasional use on thin wood, fruit tree care, branch trimming or cutting to length.

Preparing firewood may only be completed as long as the diameter of the wood does not exceed the cutting length (20cm).

For this work, we recommend a conventional chainsaw with extended handle clearance and cutting length.

Who is not permitted to use the device:

People who are not familiar with the operating manual, children under the age of 16, people under the influence of alcohol, drugs or medication, and people who are tired or unwell.

The device is non-intended to be used exclusively for sawing wood. The manufacturer is not liable for damage caused by non-intended use or incorrect operation.

The device may only be used in the intended manner. Any use beyond this is improper. The user/operator, not the manufacturer, is responsible for damages or injuries of any type resulting from this.

An element of the intended use is also the observance of the safety instructions, as well as the assembly instructions and operating information in the operating manual.

Persons who operate and maintain the device must be familiar with the manual and must be informed about potential dangers.

In addition, the applicable accident prevention regulations must be strictly observed.

Other general occupational health and safety-related rules and regulations must be observed.

The liability of the manufacturer and resulting damages are excluded in the event of modifications of the device.

Please observe that our equipment was not designed with the intention of use for commercial or industrial purposes. We assume no guarantee if the equipment is used in commercial or industrial applications, or for equivalent work.

### DANGER

In accordance with the applicable product liability laws, the manufacturer of this device assumes no liability for damage to the device or caused by the device arising from:

- Installing and replacing non-original spare parts,
- Removing or changing safety components.

### 6.1 Improper use

- This device is not suitable for felling work.
- Do not use the guide rail as a lever to move tree trunks or similar.
- Sawing of wood with a diameter over 20cm is not allowed.

## 7. Safety information

### 7.1 General information

#### WARNING

Always remain attentive, pay attention to what you are doing and be sensible when working with the device. Do not use the device while ill, tired or under the influence of drugs, alcohol or medication. A moment of inattention while operating power tools may result in serious personal injury.

Avoid misuse, use the machine only as described under "Intended use".

The operating manual contains important notices on how to work safely and professionally with the chainsaw and how to avoid hazards.

If a blockage still occurs between the material to be cut and the saw chain, switch it off immediately. Wait until the saw chain has come to a standstill. Remove the spark plug connector and put on cut-resistant gloves to remove the blockage. If the guide rail (blade) has to be removed, follow the instructions as described in the chapter "Installation". After removing the blockage and re-installation, a test run must be carried out.

If vibrations or mechanical noises are detected during this process, stop work and contact an authorised service centre. Should this hazard occur more often, we recommend a new training.

- Before start-up, read the operating manual for your device and pay particular attention to the safety instructions.
- Warning and information labels attached to the device provide important information for safe operation.

- In addition to the information in the operating manual, the general safety and accident prevention regulations of the legislature must be observed.
- Keep packaging material away from children, there is a risk of suffocation!
- Inadequately informed operators can endanger themselves and others through improper use. The operator is responsible for the safety of third parties.
- Before starting work, check the function of the throttle. This must automatically return to the neutral position after release.
- Do not work for more than 10 minutes at a time. It is advisable to take a break of 10 - 20 minutes between operations.
- Only lend the device to users who have experience with the device. The operating manual must be handed over at the same time.
- Some cutting tasks require special training and skills. If you have any doubts, consult a specialist.
- First-time users must be instructed to familiarise themselves with the features of the device. Attend a state chainsaw training course for your safety.
- When not in use, the device must be set down in such a way that no one is endangered. Secure from unauthorised access.
- The user of the device is responsible for all accidents and hazards that cause damage to other people or their property.
- Children, young people and persons with reduced physical, sensory or mental abilities must not use the chainsaw. Exceptions exist only for young people over 16 years of age in the context of training under the supervision of a professional.
- The electric ignition system of the device generates a low electromagnetic field. If you wear a pacemaker or similar implant, consult your doctor before using the device to avoid health risks.
- Please note that improper maintenance, the use of non-compliant spare parts, or the removal or modification of safety devices can result in damage to the device and serious injury to the person working with it.

## 7.2 Personal protective equipment (PPE)

### DANGER

Always wear personal protective equipment (PPE) such as eye protection (visor or goggles), head, hand, leg and foot protection suitable for climbing trees!

- Wear a safety helmet with face protection or safety goggles and hearing protection.

- Wear close-fitting protective clothing with a cut protection insert.
- Wear non-slip safety shoes.
- Wear protective gloves.
- Avoid loose clothing that can get caught.
- Do not wear a scarf, tie or jewellery!
- If you have long hair, use a hair net!
- Wear a safety helmet for all work in the forest. This provides protection from falling branches. Check the safety helmet regularly for damage. This must be replaced after 5 years at the latest. Only use approved safety helmets.
- The face guard or safety goggles protect against shavings and wood splinters. To prevent injuries to the eyes, you must always wear a face guard or safety goggles when working with the device.
- Always wear hearing protection. The noise emitted by the device may cause hearing damage.
- Wear robust protective gloves made of tough material, such as leather.
- Wear a dust protection mask when sawing dry wood. Sawdust may form.
- When working in the tree, the user can fall. The user can be seriously injured or killed. Wear equipment for fall protection.

## 7.3 Storage and transport

- Switch off the chainsaw before any transport, even over short distances. Engage the chain brake and fit the chain guard.
- Use the chain guard during transport and storage.
- Secure the machine against tipping over during transport (including in vehicles) to prevent fuel loss, damage or injury.
- Carry the device only by the front handle. In doing so, the guide rail points backwards, away from your body.
- Keep the hot silencer away from your body. There is a risk of burns!
- Clean and maintain the chainsaw before storage.
- Store the device in a safe and dry location. Also secure it from unauthorised access.

## 7.4 Environmental safety

- National and/or municipal regulations may impose time restrictions on the use of noise-generating, motorized devices. Ask your local administration about this.
- The device must not be operated indoors or in other poorly ventilated areas. There is a danger of suffocation due to the toxic exhaust gases / lubricating oil vapours.
- Only carry out work in daylight.



- Also, do not work in adverse weather conditions, such as rain or wind. There is an increased risk of accidents here.
- Keep your work area clean and tidy.
- Keep children, other people and animals away before and during work. If distracted, you can lose control of the device.
- Before starting work, make sure that there are no persons, animals or property in the danger zone.
- Do not work near wire fences or in areas with loose old wire.
- Have fire extinguishers ready when working in highly flammable environments such as dry grass, etc. There is a risk of fire!

### 7.5 Refill with fuel

- Petrol is very easily flammable. Keep away from naked flames when refuelling and do not smoke while doing so. There is a risk of fire!
- Be careful not to spill petrol. Ensure that no petrol or chain oil gets into the soil. Use suitable sheeting or similar to help with this.
- Refuel only in well-ventilated areas. Petrol vapours can easily ignite or explode.
- Switch off the engine before refuelling and allow the device to cool down. If petrol has been spilled, clean the affected areas immediately. Also, do not let any fuel get on your clothes, otherwise change immediately.
- Also avoid skin and eye contact with petrol or lubricants (oil).
- Do not breathe in fuel vapours/lubricating oil vapours.
- Watch out for leaks. If petrol is leaking, do not start the engine. There is a danger from burns.
- Carefully open the tank cap so that any overpressure can slowly escape and no petrol sprays out.

### 7.6 Before commissioning

#### **WARNING**

Always carry out checks before use and with the engine switched off.

Check the device before each use and after it has fallen to the ground to ensure that it is in safe operating condition.

Check that all moving parts are working properly. Many accidents are caused by poorly maintained tools. Have damaged parts repaired by qualified specialist personnel.

Only use the chainsaw and accessories in accordance with these instructions, taking into account the working conditions and the work to be performed. Using power tools for operations other than those intended can lead to hazardous situations.

- Regularly check the chain brake for proper functioning (front hand guard, see Fig. 2).
- Check the guide bar to make sure it is mounted correctly.
- Check that the saw chain is properly tensioned. Follow the instructions for lubrication, chain tensioning and replacing accessories. An improperly tensioned or lubricated chain can break or increase the risk of kick-back.
- Keep cutting tools sharp and clean. Sharpen regularly and replace worn parts in good time. Properly maintained cutting tools with sharp cutting edges are less likely to bind and are easier to control.
- Check that the throttle and the throttle interlock move easily. The throttle lever must spring back to the starting position.
- Check that there is enough fuel and chain lubricating oil in the tank.
- Check that the handles are clean, dry and free from oil and dirt.
- Never carry out the work alone. In an emergency, someone must be nearby.
- Only use the chainsaw when standing on firm, safe and level ground. Do not overreach. Slippery ground or unstable standing surfaces (e.g. on a ladder) can cause loss of balance or loss of control of the chainsaw. Keep proper footing and balance at all times. This will allow you to better control the chainsaw in unexpected situations.
- Do not work with the chainsaw in a tree. There is a risk of injury when operating in a tree.
- Never saw above shoulder height.
- Always hold the chainsaw with your right hand on the rear handle and your left hand on the front handle. Holding the chainsaw using the opposite grip increases the risk of injuries and must be avoided.
- Keep all body parts away from the saw chain when the chainsaw is running. Before starting the chainsaw, ensure that the saw chain is not touching anything. When working with a chainsaw, a moment of carelessness can result in clothing or body parts being caught by the saw chain.
- Switch off the chainsaw immediately if you notice any noticeable changes in the device's behaviour.
- If the chainsaw has come into contact with stones, nails or other hard objects, stop the engine immediately and check the saw chain and guide bar for damage.
- Do not drop the chainsaw, do not hit it against obstacles and never use the guide bar as a lever.
- Only saw in wood with the chainsaw.
- When cutting a branch that is under tension, expect it to spring back. If the tension in the wood fibres is released, the tensioned branch can hit the operator and/or wrest the chainsaw from control.

- Be especially careful when cutting undergrowth and young trees. The thin material can get caught in the saw chain and hit you or throw you off balance.

## 7.7 Vibrations

### WARNING

Avoid the risks associated with vibration, e.g. the risk of white finger syndrome (circulatory disorders) by taking frequent breaks from work where you rub your palms together, for example.

- Always wear protective gloves and make sure your hands are warm.
- Make sure that the chain is always sharp.
- Take regular breaks from work.

## 7.8 Precautionary measures against kick-back

### WARNING

Watch out for kick-back when working with the device. There is a danger of injury. Avoid kick-backs through caution and correct sawing technique.

- Touching with the tip of the guide bar can sometimes lead to an unexpected backward reaction, whereby the guide bar whips up and in the direction of the operator.
- Kickback can arise if the tip of the guide rail touches an object or if the wood bends and the saw chain jams in the cut.
- If the saw chain jams on the top edge of the guide rail, the chainsaw can jerk back suddenly in the direction of the operator in an uncontrolled manner.
- If the saw chain jams on the lower edge of the guide rail, the chainsaw can jerk forward suddenly away from the operator in an uncontrolled manner.
- Be extremely careful when using the chain of the chainsaw to continue cutting into a cut that has already been started.
- Do not saw branches or pieces of wood that could change their position during the sawing process or where the cut closes during the sawing process.
- Each of these reactions can lead to you losing control of the saw and possibly suffering a serious injury. Never rely solely on the safety equipment integrated in the chainsaw. As a chainsaw user, take various measures to work without accidents and injuries.

Kickback is the result misuse and/or incorrect operating procedures or conditions. It can be prevented by suitable precautionary measures, as described in the following:

- Hold the saw firmly with both hands, with the thumbs and fingers enclosing the chainsaw handles. Bring your body and arms into a position in which you can absorb the kickback forces. If suitable measures are implemented, the operator will be able to withstand the kickback forces. Never let go of the chainsaw.
- Avoid an unusual body stance and never saw above shoulder height. This will help to avoid unintentional contact with the rail tip, and enable improved control of the chainsaw in unexpected situations.
- Always use replacement guide rails and saw chains prescribed by the manufacturer. Incorrect replacement guide bars and saw chains may cause the saw chain to break and/or lead to kickback.
- Adhere to the instructions of the manufacturer when sharpening and maintaining the saw chain. If the depth limiter is too low, this increases the tendency towards kickback.
- Do not saw with the tip of the guide bar. There is a risk of kick-back. (Fig. 7)
- Make sure that there are no nails or metal pieces in the cutting area. Pay special attention to nails or pieces of iron around the cutting area. Also be careful when sawing hardwoods where the chain can get caught. This can cause kick-back.
- Start cutting at full power and always keep the chainsaw at maximum speed while sawing.
- Make sure that there are no objects on the floor that you can trip over.

## 7.9 Work behaviour and technique

- Only work in good visibility and light conditions. Pay particular attention to slippery conditions, wetness, ice and snow (danger of slipping). There is an increased risk of slipping on freshly peeled wood (bark).
- Never work on unstable ground. Watch out for obstacles in the work area, risk of tripping. Secure footing must be ensured at all times.
- Never saw above shoulder height.
- Never saw when standing on ladders.
- Never climb into the tree with the chainsaw and carry out work without appropriate restraint systems for man and machine. We always recommend carrying out the work from a work platform.
- Do not bend too far when working.

- Guide the chainsaw such that no part of your body is within the extended pivot range of the saw chain.
- Only saw wood with the chainsaw.
- Do not touch the ground with the saw chain running.
- Clean the cutting area of foreign bodies such as sand, stones, nails, etc. Foreign bodies damage the sawing device and can result in dangerous kick-back as well as being flung away.
- When sawing sawn timber, use a secure support (if possible, a sawhorse). The wood must not be held with the foot or another person.
- Round wood or logs should be secured against turning while they are being cut.
- Never work without a claw stop, the chainsaw can pull the operator forward. Use the claw stop for cutting tree trunks or thick branches. Using the claw stop increases work safety, reduces personal strain when working and vibrations are reduced.
- For felling or cross-cutting, the serrated strip (claw stop) must be applied to the wood to be cut. The use of the spike bar is also recommended when cutting through thick branches.
- Before every cross-cut, firmly position the serrated strip and only then saw into the wood with the saw chain running. The saw is then lifted up using the rear grip and guided using the front handle. The spike bar acts as a pivot point. Repositioning is done using light pressure on the front handle. Pull the chainsaw back slightly to do this. Insert the spike bar deeper and lift up again using the rear grip.
- Take care when cutting splintery wood. Cut pieces of wood can be carried away (risk of injury).
- When cutting using the top of the bar, the chainsaw can be pushed towards the operator if the saw chain binds up. For this reason, if possible, cut using the bottom side of the bar as the chainsaw will be pulled away from the body towards the wood.
- Tensioned wood must always be cut on the compressed side first. Only then perform the separating cut using the opposite side. This prevents the rail from jamming.
- When working in the tree, the chainsaw may fall down. People can be seriously injured and material damage can occur. Secure the chainsaw using the suspension device.
- Before the saw chain is guided into the cutting area, it can slip away to the side or jump up.

## ATTENTION

### **Increased risk of kickback!**

In order to maintain full control at the moment of cutting all the way through, reduce the pressing force towards the end of the cut, without loosening your firm grip of the handles of the chainsaw. Ensure that the saw chain does not come into contact with the ground. After completing the cut, wait for the saw chain to stop before removing the chainsaw. Always switch off the chainsaw's engine before moving from one tree to the next tree.

## WARNING

In case of extended working periods, the operating personnel may suffer circulatory disturbances in their hands (vibration white finger) due to vibrations.

Raynaud's syndrome is a vascular disease that causes the small blood vessels on the fingers and toes to cramp in spasms. The affected areas are no longer supplied with sufficient blood and therefore appear extremely pale. The frequent use of vibrating devices can cause nerve damage in people whose circulation is impaired (e.g. smokers, diabetics).

If you notice unusual adverse effects, stop working immediately and seek medical advice.

Observe the following information to reduce hazards:

- Keep your body and especially your hands warm in cold weather.
- Take regular breaks and move your hands to promote circulation.
- Ensure as little vibration as possible at the machine via regular maintenance and stable parts on the device.

## 7.10 Residual risks

### DANGER

#### **RISK OF INJURY !**

Contact with the saw chain can lead to fatal cuts.

Never touch the saw chain with your hands while it is running.

#### **RISK OF KICK-BACK !**

Kick-back can lead to fatal cuts.

#### **DANGER OF BURNING !**

The chain and guide bar heat up during operation.

**The electric tool has been built according to state-of-the-art and the recognised technical safety rules. However, individual residual risks can arise during operation.**

Furthermore, despite all precautions having been met, some non-obvious residual risks may still remain.

Residual risks can be minimised if the "Safety instructions" and "Proper use" are observed along with the whole of the operating instructions.

## 8. Technical data

Machine without blade

Length x width x height .....	270 x 230 x 240 mm
Weight unfuelled, without cutting gear approx. ....	3.4 kg
Weight unfuelled, with cutting gear approx. ....	3.8 kg
Tank for chain lubricating oil.....	0.16 l
Fuel tank content.....	0.23 l
Oil and fuel mixture .....	1:40
Cutting length .....	20 cm
Blade length.....	30 cm
Automatic chain oiling .....	Yes
Chain pitch.....	3/8" (9.525 mm)
Chain link thickness.....	1.27 mm
Chain type.....	3/8LP-40
Number of drive sprocket teeth .....	6
Tooth pitch of drive sprocket.....	3/8"
Blade type.....	AP10-40-509P
Chain speed max. ....	21 m/s
Motor.....	1 cylinder, 2 stroke air-cooled
Cubic capacity .....	25.4 cm <sup>3</sup>
Max. engine power output per ISO 7293 .....	0.7 kW
Idle speed $n_0$ .....	3300 ± 300 rpm
Maximum speed with cutting gear.....	11000 rpm
Spark plug.....	L8RTC

**The noise pressure level should be reduced as far as possible depending on use and the activities to be completed so that the health of the operator is not endangered. The noise pressure level at the workplace can exceed 80 dB. In this case, noise protection measures are required for the operator (e.g. wearing hearing protection).**

### Keep the noise level and vibration to a minimum!

- Only use devices which are free of defects.
- Maintain and clean the device at regular intervals.
- Adapt your working methods to the device.
- Do not overload the device.
- Have the device checked if necessary.
- Switch the device off if it is not in use.
- Wear gloves.

Measured sound pressure level $L_{pA}$ .....	99.2 dB
Uncertainty $K_{pA}$ .....	3 dB
Guaranteed sound power level $L_{WA}$ .....	113 dB
Measured sound power level $L_{WA}$ .....	108.7 dB
Uncertainty $K_{WA}$ .....	3 dB

Vibration, front handle.....	8.98 m/s <sup>2</sup>
Vibration, rear handle.....	8.03 m/s <sup>2</sup>
Uncertainty.....	1.5 m/s <sup>2</sup>

### Wear hearing protection.

Excessive noise can result in a loss of hearing.

The specified device emissions values have been measured in accordance with a standardised test procedure and can be used for the comparison of one device with another.

The specified noise emission values can also be used for an initial estimation of the exposure.

### Warning:

- The noise emission values can vary from the specified values during the actual use of the device, depending on the type and the manner in which the device is used, and in particular the type of workpiece being processed.
- Try to keep the stress as low as possible. For example: Limit working time. In doing so, all parts of the operating cycle must be taken into account (such as times in which the device is switched off or times in which it is switched on, but is not running under a load).

## 9. Before commissioning

1. Open the packaging and carefully remove the device.
2. Remove the packaging material, as well as the packaging and transport safety devices (if present).
3. Check whether the scope of delivery is complete.
4. Check the device and accessory parts for transport damage.
5. If possible, keep the packaging until the expiry of the warranty period.
6. Remove the quick start guide from the start pull cord (8).

### ATTENTION

The device and the packaging are not children's toys! Do not let children play with plastic bags, films or small parts! There is a danger of choking or suffocating!

## 9.1 Mounting the guide rail (2) and tensioning the saw chain (1)

### **WARNING**

#### **Risk of injury!**

Always wear protective gloves when touching the saw chain (1). Danger of injury due to the sharp cutting teeth!

Only use approved combinations of saw chain (1) and guide rail (2) (see chapter "Approved cutting gear").

Always carry out assembly with the engine switched off.

#### **Note**

A new saw chain (1) stretches and needs to be re-tensioned more often. Check and adjust the chain tension regularly. Depending on wear, the guide rail (2) can be turned.

1. Set the chainsaw down on a level and stable surface.
2. Pull the front hand guard (3) back up to the stop to release the chain brake. (Fig. 2)
3. Remove the two fixing nuts (16) with the spark plug wrench (20).
4. Remove the chain cover (17).
5. Turn the chain tensioning screw (23) (anti-clockwise) until the chain tensioning pin (26) is at the right-hand stop (Fig. 3). Use the slotted screwdriver (20) for this.
6. Slide the slotted hole of the guide rail (2) over the two protruding fastening pins (29).
7. Place the saw chain (1) over the teeth of the chain wheel (27). Insert the saw chain (1) accurately into the guide rail (2). In the tip of the guide rail (2) there is a sprocket (30) into whose teeth the saw chain (1) must be inserted. (Fig. 6 and 18)
8. Pull slightly on the guide rail (2) to slightly pre-tension the saw chain (1).
9. Fit the chain cover (17) back on. Make sure that the internal chain tensioning pin (26) fits into the matching hole in the guide rail (2). If necessary, adjust the chain tensioning screw (23) with the slotted screwdriver (20).
10. Screw on the two fastening nuts (16) by hand. However, make sure that you do not tighten them yet. The fastening nuts (16) are tightened only after tensioning the saw chain (1).

## 9.2 Tensioning and checking the saw chain (1)

### **WARNING**

Put on protective gloves! Danger of injury due to the sharp cutting teeth!

Check the chain tension regularly before each start-up.

Always carry out checks before starting up and with the engine switched off.

1. Before tensioning, loosen the two fixing nuts (16) a little with the spark plug wrench (20).
2. Turn the chain tensioning screw (23) clockwise with the slotted screwdriver (20) to increase the tension.
3. Tighten the two fixing nuts (16) with the spark plug wrench (20).
4. The saw chain (1) must be in contact with the underside of the guide rail. Check whether the saw chain (1) can be pulled over the guide rail (2) by hand (with the chain brake released, pull the front hand guard (3) back).

#### **NOTE**

A new saw chain (1) stretches and needs to be re-tensioned more often.

## 9.3 Mixing fuel

The engine must be operated with a fuel mixture of petrol and engine oil.

### **WARNING**

Avoid direct skin contact with fuel and inhalation of fuel vapours.

Use only a mixture of unleaded petrol (min. RON 95) and special 2-stroke engine oil (JASO FD/ISO - L - EGD). Mix the fuel mixture as per the fuel mixing table.

Put the correct amount of petrol and 2-stroke oil into the enclosed mixing bottle (22) (see "Fuel mixing table"). Then shake the mixing container (22) well.

### 9.3.1 Fuel mixing table

**Mixing process: 40 parts petrol to 1 part oil**

<b>Petrol</b> .....	<b>2-stroke oil</b>
<b>0.5 litres</b> .....	<b>12.5 ml</b>

#### 9.4 Filling in fuel (Fig. 8)

##### **WARNING**

Only fill the fuel when the engine is switched off and has cooled down. There is a risk of fire!

1. Always clean the area around the fuel tank cap (13) before filling to prevent dirt from falling into the fuel tank. Use a dry, lint-free cloth for this purpose.
2. Lay the device on its side with the fuel tank cap (13) facing upwards.
3. Turn the fuel tank cap (13) anti-clockwise and open it. The fuel tank cap (13) is connected to an anti-loss device in the fuel tank and thus cannot fall off.
4. Pour the fuel mixture into the fuel tank. Do not spill fuel when refuelling and do not fill the fuel tank to the brim.
5. Wipe up spilled fuel immediately.
6. Turn the fuel tank cap (13) clockwise to close it.

##### **NOTE**

Also check the chain oil after each fuel fill.

#### 9.5 Drain the fuel

**Only empty the fuel tank outdoors or in well-ventilated rooms. Make sure that no fuel gets into the soil (environmental protection). Use a suitable and stable base.**

1. Hold a collection container under the fuel tank.
2. Unscrew and remove the fuel tank cover (13) of the fuel tank.
3. Drain the petrol/oil mixture completely.
4. Screw the fuel tank cover (13) back on by hand.

#### 9.6 Fill in chain oil (Fig. 8)

##### **WARNING**

Only fill the saw chain oil when the engine is switched off and has cooled down. There is a risk of fire!

Never work without chain lubrication! If the saw chain (1) runs dry, the cutting gear will be irreparably destroyed in a short time.

Always check chain lubrication before working.

##### **NOTE**

Use only saw chain oil. Preferably biodegradable. Do not use waste oil, engine oil, etc.

Check during work that the chain lubrication is working.

1. Always clean the area around the chain oil tank cap (11) before filling so that no dirt falls into the chain oil tank. Use a dry, lint-free cloth for this purpose.
2. Lay the device on its side with the chain oil tank cap (11) facing upwards.
3. Turn the chain oil tank cap (11) anti-clockwise and open it. The chain oil tank cap (11) is connected to an anti-loss device in the chain oil tank and thus cannot fall off.
4. Pour the bio chain oil into the chain oil tank. Do not spill chain oil when refuelling and do not fill the chain oil tank to the brim.
5. Wipe up spilled chain oil immediately.
6. Turn the chain oil tank cap (11) clockwise to close it.

## 10. Commissioning

##### **CAUTION**

Please observe the legal provisions from the noise protection ordinance.

Before each commissioning, check the device for the following:

- Check the fuel system for leakage
- Faultless condition and completeness of the guards and the cutting device
- Tight fit of all screw connections
- Smooth running of all moving parts

### Working instructions

Familiarise yourself with handling the chainsaw before use.

#### 10.1 Starting the engine

##### **ATTENTION**

Move at least 3 metres away from the refuelling area before starting the engine (Fig. 9).

Always pull the start pull cord (8) out straight. Hold the handle of the start pull cord (8) firmly when the pull cord (8) winds back in. Never let the start pull cord (8) whip back in. Release the throttle lever (5) immediately after starting the engine. Ensure that the engine speed has returned to idle before releasing the chain brake (push the front hand guard (3) backwards).

Pull out the cold start lever (choke) (14) only for starting.

### 10.1.1 Starting the motor when cold

#### **WARNING**

Engage the chain brake before every start-up (push the front hand guard (3) forward).

#### **ATTENTION**

Never allow the start pull cord (8) to spin back. This can result in damage.

1. Remove the guide rail cover (21).
2. Set the chainsaw down on a firm and level surface. The saw chain (1) must not come into contact with the floor.
3. Push the front hand guard (3) forwards until it latches into place. The saw chain (1) is clamped by the chain brake.
4. Press the fuel pump primer (4) 6x. (Fig. 1)
5. Switch the ON/OFF switch (15) to "ON". (Fig. 1)
6. Pull out the cold start (choke) lever (14). (Fig. 10.2)
7. Hold the chainsaw firmly by the front handle (12) and pull the start pull cord (8) out slowly until you feel the first resistance.
8. Now pull the start pull cord (8) and the engine should start. If the engine does not start, repeat the process. As long as the cold start lever (choke) (14) is pulled out, the engine will run for only a short time and then stop.
9. As soon as the engine has stopped, actuate the throttle interlock (7) and the throttle (5) together. The cold start (choke) lever (14) will automatically spring back to the "warm start" operating position. (Fig. 10.1)
10. Now pull the start pull cord (8) again and the engine should start.

If the engine does not start even after several attempts, read the "Troubleshooting" chapter.

#### **NOTE**

With high outside temperatures, it may be necessary to start the engine without the cold start lever (choke) (14) even when the engine is cold!

- Release the chain brake by pulling the front hand guard (3) backwards. (Fig. 2)
- **CAUTION!** The chain brake is now released. If the throttle (5) is actuated together with the throttle interlock (7), the saw chain (1) starts up.

### 10.1.2 Starting the motor when warm (The device stood still for less than 15–20 minutes)

#### **WARNING**

Engage the chain brake before every start-up (push the front hand guard (3) forward).

1. Push the front hand guard (3) forwards until it latches into place. The saw chain (1) is clamped by the chain brake.
2. Switch the ON/OFF switch (15) to "ON".
3. The cold start lever (choke) (14) does not have to be pulled to start a warm engine.
4. Hold the chainsaw firmly by the front handle (12) and pull the start pull cord (8) out slowly until you feel the first resistance.
5. Now pull the start pull cord (8) quickly. The device should start after 1–2 pulls. If the device has still not started after 6 pulls, repeat the procedure described under "Starting the engine when cold".

## 10.2 Shutting the engine off

### 10.2.1 Emergency stop procedure

If it is necessary to stop the device immediately, set the ON/OFF switch (15) to "OFF". (Fig. 1)

### 10.2.2 Normal procedure

1. Release the throttle (5). The engine goes into idle speed.
2. Then set the ON/OFF switch (15) to "OFF". (Fig. 1)

## 10.3 Operating while idle

#### **ATTENTION**

When idling, the saw chain (1) must be stationary.

#### **NOTE**

If the saw chain (1) moves at idle or the engine stops on its own when the throttle is released, a carburettor adjustment must be made (see chapter "Maintenance of the carburettor settings").

1. Pick up the chainsaw.
2. Use the left hand to hold the front handle (12) firmly.
3. Use the right hand to hold the rear handle (6) firmly. The heel of the hand rests on the throttle interlock (7) and the index finger operates the throttle (5).
4. After actuating the throttle (5) once, the engine runs at idle.
5. Allow the engine to warm up briefly.

## 10.4 Checking and adjusting chain lubrication

### ATTENTION

- Never work without chain lubrication! If the saw chain (1) runs dry, the cutting gear will be irreparably destroyed in a short time.
- Always check chain lubrication before working.

#### Note

Only use saw chain oil, preferably biodegradable. Do not use waste oil, engine oil, etc.

Hold the chainsaw during operation, at medium speed, over a sawed-off tree stump or a suitable surface. If the lubrication is sufficient, a light film of oil will form on the tree stump or surface.

- If necessary, the chain lubrication can be increased or decreased by means of the oil adjustment screw (32) (Fig. 11).
- Use the slotted screwdriver (20) supplied to help:
  - First press and then turn the oil adjustment screw (32) clockwise to reduce chain lubrication.
  - First press and then turn the oil adjustment screw (32) anti-clockwise to increase chain lubrication.

## 10.5 Checking the chain brake

### WARNING

The chain brake must be checked before each use.

The chain brake brakes the saw chain (1) immediately in the event of kick-back.

1. Make sure that the front hand guard (3) is free of dirt and moves easily.
2. Start the chainsaw and accelerate the saw chain (1) to full speed (full throttle).
3. With the saw chain (1) running, operate the front hand guard (3). The chain brake must brake and block the saw chain (1) at max. speed.

### WARNING

Increased engine speed for too long with the chain brake locked will damage the engine and the chain drive.

If the saw chain (1) still moves, contact the customer service.

## 11. Usage

### 11.1 Delimiting work

- Always be aware of the danger of branches snapping back.
- Do not stand on the trunk when delimiting.
- Do not saw with the tip of the guide bar. (Fig. 7)

- Never saw several branches at once.
- Support the chainsaw with the claw stop (24) when delimiting, if possible.
- Make sure that at the end of the cut the chainsaw can swing through under its own weight. It is no longer supported in the cut so hold it securely.
- Take a firm, stable and secure stance when delimiting.

### 11.1.1 Delimiting work in sections

Shorten long or thick branches before making the final cut. Otherwise the saw chain (1) can easily jam.

### 11.1.2 Working on tensioned wood

It is essential to follow the correct sequence when working on wood that is tensioned. Otherwise the saw chain (1) may jam or kick-back may occur.

Tensioned wood must always be cut on the compressed side first. Only then perform the separating cut using the opposite side. (Fig. 24)

This prevents the saw chain (1) from jamming.

### ATTENTION

#### Property damage!

Lying wood must not touch the floor on the underside of the cutting point, otherwise the saw chain (1) may be damaged.

#### Recoil

- If the saw chain (1) jams on the top edge of the guide rail (2), the chainsaw can jerk back suddenly in the direction of the operator in an uncontrolled manner.

#### Dragging

- If the saw chain (1) jams on the lower edge of the guide rail (2), the chainsaw can jerk forward suddenly away from the operator in an uncontrolled manner.

#### Safe work

- Keep the device in good working order to prevent injuries.
- After dropping the device, check for significant damage or defects.
- Do not use the device whilst standing on a ladder or in an unsafe position.
- Do not be tempted to make a rash cut. This could endanger yourself and others.



- Change your working position regularly. Prolonged use of the device can lead to vibration-induced circulatory disorders of the hands. However, you can extend the duration of use by wearing suitable gloves or taking regular breaks. Be aware that personal predisposition to poor circulation, low outside temperatures or large gripping forces when working reduce the duration of use.

### 11.2 Wooden branch is bent downwards

1. First saw relief cut 1 (approx. 1/3 of the branch diameter) on the compressed side.
2. Then make cut 2 (approx. 2/3 of the branch diameter) on the tensioned side.

### 11.3 Wooden branch is bent upwards

1. First saw relief cut 1 (approx. 1/3 of the branch diameter) on the compressed side.
2. Then make cut 2 (approx. 2/3 of the branch diameter) on the tensioned side.

### 11.4 Tree care saw use for tree pruning in combination with rope climbing technique

This appendix presents appropriate working practices to reduce the danger of injury from the use of chainsaws for tree pruning when working at height with a rope and carrying strap. Although it can serve as a guide and training reading, it should not be considered a substitute for formal training. The guidance given in this appendix serves only as an example of good practice.

National or other regulations that may be stricter may apply. The user of a chainsaw for tree pruning working at height with a rope and carrying strap should never work alone. A ground worker trained in appropriate emergency procedures should be present to assist.

The user should be trained in general safe climbing and work positioning techniques and should be equipped with carrying strap, rope, slings, carabiners and other equipment for obtaining safe and correct working positions for both themselves and the saw.

National laws and regulations must always be strictly observed.

This appendix does not cover techniques for controlling the branches and twigs cut by the chainsaw, nor does it include the points already covered on safe use.

### 11.4.1 General requirements

The user of a chainsaw for tree pruning working at height with a rope and carrying strap should never work alone. A ground worker trained in appropriate emergency procedures should be present to assist.

The user should be trained in general safe climbing and work positioning techniques and should be equipped with carrying strap, rope, slings, carabiners and other equipment for obtaining safe and correct working positions for both themselves and the saw.

### 11.4.2 Preparation before using the tree pruning saw on the tree

The chainsaw should be checked, fuelled, started and warmed up by the ground worker and then switched off before being hoisted up to the user in the tree.

The chainsaw should be fitted with a suitable sling so that it can be attached to the user's carrying strap (Fig. 13):

- Secure the sling to the suspension device (19) located on the back of the saw (Fig. 12).
- Suitable carabiners shall be provided to allow indirect (i.e. through the sling) and direct (i.e. to the suspension device (19) of the chainsaw) attachment of the saw to the user's carrying strap.
- Ensure that the chainsaw is securely fastened when it is pulled up to the user (Fig. 14).
- Ensure that the chainsaw is attached to the carrying strap before releasing it from the lifting cable.

The possibility of attaching the chainsaw directly to the carrying strap reduces the danger of damaging the equipment when moving it in the tree. The chainsaw should always be switched off when it is attached directly to the carrying strap. The chainsaw should only be attached to the recommended suspension devices on the carrying strap. These may be in the middle (front or back) or on the sides. Wherever possible, attach the chainsaw to the centred rear centre of the carrying strap to keep it away from climbing ropes and to support the weight centrally under the user's spine.

If the chainsaw is moved from any suspension device to another, users should ensure that the chainsaw is secured in the new position before it is released from the previous suspension device.

### 11.5 Use of the chainsaw in the tree

An analysis of accidents with these chainsaws during tree pruning work shows that the main cause is improper one-handed use of the chainsaw. In most accidents, users do not adopt a secured working position that allows them to hold the chainsaw by both handles, resulting in an increased danger of injury from the following:

- Lack of a firm grip on the kick-back of the chainsaw.
- Lack of control of the chainsaw, making it easier for it to come into contact with climbing ropes and with the user's body (especially the left hand and arm).
- Loss of control due to an unsafe working position and thus contact with the chainsaw (unexpected movements while working with the chainsaw).

### 11.6 Secured working position for two-handed use

In order to be able to hold the chainsaw with both hands, users should always try to adopt a secured working position, guiding the saw as follows:

- at waist height when sawing horizontal pieces.
- at stomach height when sawing vertical pieces.

If the user is working close to the vertically running trunk with low lateral forces to the working position, a secure foothold could be sufficient for a safe working position. However, as soon as users move away from the trunk, they must take additional measures to reduce or counteract the increasing lateral forces, e.g. by diverting the main rope via an additional suspension device or by using an adjustable sling leading from the harness to an additional suspension device (Figs. 15 and 16).

#### 11.6.1 Starting the tree pruning saw on the tree

When starting the chainsaw in the tree, the user should:

- activate the chain brake before starting (push the front hand guard (3) forward).
- hold the chainsaw to the left or right of the body when starting:
  - Holding the chainsaw on the left side with the left hand on the front handle and pushing the chainsaw away from the body while holding the throw-on rope in the right hand.
  - Holding the chainsaw on the right side with the right hand on one of the two handles and pushing the chainsaw away from the body while holding the throw-on rope in the left hand.

The chain brake should always be activated before lowering the running chainsaw by its suspension cable.

Before difficult sawing work, the user should always make sure that the chainsaw has sufficient fuel.

#### 11.6.2 One-handed use of the chainsaw

Users should not use chainsaws for tree care one-handed in unstable working positions or instead of a hand saw for sawing off small diameter branch tips.

Chainsaws for tree pruning should only be used one-handed when

- a. it is not possible for users to obtain a working position that allows two-handed use.
- b. it is necessary to secure the working position with one hand.
- c. the chainsaw is used in a fully extended position, at right angles to and out of line with the user's body.

Users should never:

- Saw with the kick-back area at the tip of the guide rail (2) of the chainsaw.
- Holding on to the branch they are sawing on.
- Try to catch falling parts.

#### 11.6.3 Release a jammed chainsaw

If the chainsaw becomes jammed during cutting, the user should:

1. Switch off the chainsaw and attach it securely towards the inside of the tree (i.e. towards the tree trunk) or to a separate tool rope.
2. Pull the chainsaw out of the notch while lifting the branch as far as necessary.
3. If necessary, use a handsaw or second chainsaw to loosen the jammed chainsaw by cutting at least 30 cm away from the jammed chainsaw.

Regardless of whether a hand saw or a chainsaw is used to release a trapped chainsaw, the cuts to release the chainsaw should always be made on the outside (towards the tips of the branches) so that the chainsaw does not get carried away with the sawn-off parts and further complicate the situation.

## 12. Transport

- Always use the guide rail cover (21) when transporting.
- Switch off the chainsaw before any transport, even over short distances. Secure the machine against tipping over during transport (including in vehicles) to prevent fuel loss, damage or injury.
- Activate the chain brake (push the front hand guard (3) forward).

- Carry the device only by the front handle (12). In doing so, the guide rail (2) points backwards, away from your body.
- Keep the hot silencer (18) away from your body. There is a risk of burns! (Fig. 23)

## 13. Cleaning and maintenance

### WARNING

#### Risk of injury!

Always switch off the device and disconnect the spark plug connector (35) before cleaning.

(see chapter 13.4 Maintenance of the spark plug (34)).

#### Note

The device should be thoroughly cleaned after each use.

Only carry out cleaning and maintenance work to the extent specified in this operating manual. Further work must be carried out by qualified specialists.

Maintenance work must be carried out regularly (see chapter "Maintenance intervals").

### 13.1 Cleaning the engine unit

#### WARNING

#### Danger of burning!

Do not touch hot silencers, cylinders or cooling fins.

- Keep protective devices, air vents and the engine housing as free of dust and dirt as possible. Blow it out with low-pressure compressed air.
- Clean the device at regular intervals using a damp cloth and a little detergent. Make sure that no water can penetrate the device interior.

### 13.2 Cleaning the filter (33) (Fig. 17)

Fouled air filters diminish the engine output due to reduced air supply to the carburettor.

Regular inspection is therefore essential. The air filter (33) should be checked regularly and cleaned as required.

The air filter (33) must be checked more frequently in the case of very dusty air.

1. Loosen the catch for the air filter cover (10) by turning it anti-clockwise.
2. Remove the air filter cover (9).
3. Remove the air filter (33).
4. Clean the air filter (33) by knocking out or blowing out (with compressed air).

The re-assembly takes place in reverse order.

### ATTENTION

Never clean the air filter (33) with petrol or flammable solvents.

### 13.3 Cleaning the chain drive

#### WARNING

#### Risk of injury!

Always wear protective gloves when touching the saw chain (1). Danger of injury due to the sharp cutting teeth!

#### Note

Clean the chain drive after each use.

1. Set the chainsaw down on a level and stable surface.
2. Pull the front hand guard (3) back up to the stop to release the chain brake. (Fig. 2)
3. Turn the chain tensioning screw (23) anti-clockwise using the slotted screwdriver (20) to reduce the tension.
4. Remove the two fixing nuts (16) with the spark plug wrench (20).
5. Remove the chain cover (17).
6. Carefully remove the saw chain (1) from the guide rail (2) and the chain wheel (27).
7. Remove the guide rail (2). Clean them with a brush.
8. Now thoroughly clean the entire chain drive area and the chain cover (17) with a brush or by blowing it out (with compressed air).

The re-assembly takes place in reverse order.

### 13.4 Spark plug maintenance (34) (Fig. 19 / 20)

1. Remove the air filter (33) as described in 13.2 "Cleaning the air filter" (33).
2. Remove the spark plug connector (35) by turning it to the left and right and pulling it at the same time. Hold and pull the spark plug connector (35) by the connector only. Never pull on the cable!
3. Loosen the spark plug (34) with the enclosed spark plug wrench (20).
4. The re-assembly takes place in reverse order.

Electrode gap = 0.6 - 0.7 mm (distance between the electrodes, between which the ignition spark is generated). Check the spark plug (34) for contamination for the first time after 10 operating hours and clean it with a copper wire brush if necessary.

Then service the spark plug (34) every 50 operating hours.

### 13.5 Maintaining the chain lubrication

- See chapter "Checking and adjusting chain lubrication".

### 13.6 Maintaining the carburettor settings

- If the saw chain (1) moves at idle or the engine stops by itself when the throttle is released, a carburettor adjustment must be made.

#### Note

Have carburettor adjustments (e.g. idle speed) carried out only by qualified specialists to avoid engine damage.

### 13.7 Maintaining the guide rail (2)

- Remove any burrs on the edge of the guide bar using a metal file.
- Clean the groove of the guide rail (2) using a brush or compressed air (Fig. 21). Replace the guide rail (2) as soon as the guide nut (28) is worn.
- Turn the guide rail (2) after each use to ensure even wear.
- Check the sprocket (30) at the tip of the guide rail (2) for smooth running. If necessary, lubricate it with a bearing oil. Let some bearing oil drip into the lubrication hole (31). (Fig. 21)

### 13.8 Checking the chain brake

See chapter 10.5 "Checking the chain brake"

#### WARNING

#### RISK OF KICK-BACK!

A non-functioning chain brake increases the risk of kick-back. Check the chain brake regularly.

A functioning chain brake is essential for your safety.

### 13.9 Tensioning and checking the saw chain (1)

See chapter 9.2 "Tensioning and checking the saw chain (1)"

### 13.10 Sharpening and maintaining the saw chain (1)

#### WARNING

#### Risk of injury!

Always wear protective gloves when touching the saw chain (1). Danger of injury due to the sharp cutting teeth!

#### Note

An optimally maintained and sharpened saw chain (1) reduces physical strain, wear and leads to good cutting results. Clean, maintain and sharpen the saw chain (1) regularly. Check the saw chain (1) regularly for cracks and damaged rivets.

A bench grinder can be attached to the bench grinder aid for a secure hold during grinding.

Only use special round saw chain files with  $\varnothing$  4.8 mm (3/16") for the saw chain (1) included in the scope of delivery.

In a sharpening kit you will find detailed information on the sharpening process.

Alternatively, use an electric chain sharpener and follow the manufacturer's instructions.

If in doubt about the performance of the work, replace the saw chain (1).

If necessary, have the saw chain (1) sharpened by a specialist workshop.

- Accessories required (not included in the scope of delivery):
  - Round saw chain file  $\varnothing$  4.8 mm (3/16")
  - Flat file
  - Depth limit gauge
- File only in forward motion to remove material.
- File with a sharpening angle of approx. 25° at an incline of 10° to the guide rail (2).
- Check the depth limit distance with a depth limit gauge.
- The correct distance of the depth limiter should be 0.6 mm (0.024").

### 13.11 Maintenance intervals

For a long service life as well as to prevent damage and to ensure the full function of the safety devices, the maintenance tasks described below must be carried out at regular intervals. Guarantee claims will only be accepted if these tasks have been carried out properly and at regular intervals. There is a risk of accidents if disregarded!

Users of chainsaws are permitted to carry out only those maintenance and care tasks described in this operating manual.

All other work may only be performed by a specialist workshop.

General	Complete tree pruning saw	Clean the exterior and check for damage. In the event of damage, have a professional repair carried out immediately.
	Saw chain	Sharpen regularly, replace in good time.
	Chain brake	Have it checked in a specialist workshop at regular intervals
	Guide rail	Turn so that the running surfaces wear evenly. Replace in good time.
Before start up	Saw chain	Check for damage and sharpness. Check chain tension.
	Guide rail	Check for damage.
	Chain lubrication	Functional check
	Chain brake	Functional check
	On/off switch, throttle interlock, throttle lever	Functional check
	Fuel and chain oil tank cap	Check leak-tightness.
Daily	Air filter	Clean
	Guide rail	Check for damage, clean oil inlet hole
	Guide bar mount	Clean, in particular the oil guide groove
	Idle speed	Check (saw chain shall not run)
Weekly	Fan housing	Clean in order to ensure trouble-free routing of cooling air
	Spark plug	Check, replace if necessary
	Silencer	Check for clogging
	Chain catcher	Check for damage, replace if necessary
	Screws and nuts	Check condition and firm seating
Quarterly	Suction head	Replace
	Fuel tank, chain oil tank	Clean
Storage	complete tree pruning saw	Clean the exterior and check for damage In the event of damage, have a professional repair carried out immediately
	Saw chain and guide bar	Remove, clean and oil lightly Clean guide rail guide nut
	Fuel tank, chain oil tank	Empty and clean
	Carburettor	Run until empty

### 13.12 Important note in the case of repairs

When returning the device for repair, please ensure for safety reasons that it is free of oil and petrol when it is sent to the service centre.

### 13.13 Service information

With this product, it is necessary to note that the following parts are subject to natural or usage-related wear, or that the following parts are required as consumables.

Wearing parts\*: Saw chain, guide rail, chain oil, engine oil, claw stop, chain catcher, spark plug, air filter, fuel filter, chain oil filter

\* may not be included in the scope of supply!

### Approved cutting gear

Saw chain

Kangxin 3/8LP-40.....7910100739

Oregon 91P040X.....3910102032

Guide rail

Kangxin AP10-40-509P.....7910100740

Oregon 100SDEA041 .....7910100744

## 14. Storage

The spark plug wrench / slotted screwdriver (20) can be attached to the side of the guide rail cover (21) for storage.

Always use the guide rail cover (21) when storing.

Clean and maintain the device every time before storage, see chapter "Cleaning and maintenance".

Empty the oil or fuel tank completely.

### WARNING

Do not empty the fuel tank in enclosed areas, near fire or when smoking. Petrol fumes can cause explosions and fire.

- Start the engine and let it run until the remaining petrol is used up.

Store the device and its accessories in a dark, dry and frost-free place that is inaccessible to children. The optimum storage temperature lies between 5 and 30 °C.

Do not store and use the chainsaw at temperatures below 0 °C!

Never store a chainsaw for longer than 30 days without carrying out the following steps.

Follow the cleaning and maintenance information before storing the unit!

### 14.1 Stowing the chainsaw

If you store a chainsaw for longer than 30 days, it must be prepared ahead of time. Otherwise, the remaining fuel in the carburettor will evaporate and leave a rubbery sediment behind. This could make it difficult to start and result in expensive repair work.

1. Slowly remove the fuel tank cover (13) to release any pressure in the tank. Carefully empty the tank.
2. Start the engine and let it run until the chainsaw stops in order to remove the fuel from the carburettor.
3. Allow the engine to cool down (approx. 5 minutes).
4. Remove the spark plug (34).
5. Add 1 teaspoon of clean 2-stroke oil to the combustion chamber. Pull the start pull cord (8) slowly several times to coat the internal components. Re-insert the spark plug (34).

Store the chainsaw in a dry location and far away from potential sources of ignition, such as furnaces, hot water boilers with gas, gas dryers, etc. out of the reach of children.

Always fit the guide rail cover (21) if the saw chain (1) and the guide rail (2) are not removed

### 14.2 Recommissioning the chainsaw

1. Remove the spark plug (34).
2. Pull the start pull cord (8) quickly to remove excess oil from the combustion chamber.
3. Clean the spark plug (34) and check that the electrode gap on the spark plug (34) is correct is correctly set, or insert a new spark plug (34) with the correct electrode gap.
4. Prepare the chainsaw for operation.
5. Fill the tank with the correct oil and fuel mixture (1:40).

### 14.3 Fuel storage

Fuels only have a limited shelf life. Fuel and fuel mixtures age by evaporation, especially under the influence of high temperatures. Expired fuel and fuel mixtures can thus lead to starting problems and engine damage. Only buy as much fuel as is to be consumed in a few months. Use up fuel mixed at higher temperatures in 6-8 weeks.

**Store fuel only in approved containers in a dry, cool and safe place!**

## WARNING

### Avoid skin and eye contact!

Mineral oil products, including oils, degrease the skin. Repeated and prolonged contact dries out the skin. The consequences can be various skin diseases. Allergic reactions are also known.

Eye contact with oil causes irritation. In case of eye contact, immediately rinse the affected eye with clean water. If irritation persists, consult a doctor immediately!

## 15. Disposal and recycling

### Information on packaging



The packaging materials are recyclable.

Please dispose of packaging in an environmentally friendly manner.

**Contact your local refuse disposal authority for more details of how to dispose of your worn-out electrical devices.**

### Fuels and oils

- Before disposing of the unit, the fuel tank and the engine oil tank must be emptied!
- Fuel and engine oil do not belong in household waste or drains, but must be collected or disposed of separately!
- Empty oil and fuel tanks must be disposed of in an environmentally friendly manner.

## 16. Troubleshooting

Fault	Possible cause	Remedy
The engine does not start, or it starts but does not continue to run.	Incorrect starting procedure.	Observe the instructions given in this manual.
	Incorrectly adjusted carburettor mixture.	Have the carburettor adjusted by the authorised service centre.
	Sooty spark plug.	Clean/adjust or replace the spark plug.
	Clogged fuel filter.	Replace the fuel filter.
The engine starts, but it does not run at full power.	Contaminated air filter	Remove the filter, clean it and reinsert it.
	Incorrectly adjusted carburettor mixture.	Have the carburettor adjusted by the authorised service centre.
Engine splutters	Incorrectly adjusted carburettor mixture.	Have the carburettor adjusted by the authorised service centre.
No power under load	Incorrectly set spark plug.	Clean/adjust or replace the spark plug.
Engine runs erratically	Incorrectly adjusted carburettor mixture.	Have the carburettor adjusted by the authorised service centre.
Excessive smoke.	Incorrect fuel mixture.	Use the correct fuel mixture (ratio 1:40).
No power under load	Chain blunt or chain loose	Sharpen the chain or insert a new chain. Tension the chain.
Engine dies	Fuel tank empty or fuel filter incorrectly positioned in the tank	Fill the fuel tank. Fill the fuel tank completely or reposition the fuel filter in the fuel tank.
Insufficient chain lubrication (blade and chain become hot)	Chain oil tank empty	Fill the chain oil tank.
	Oil passages clogged	Clean the oiling hole in the blade. Clean the groove of the blade.

## 17. Warranty certificate

### Dear Customer,

All of our products undergo strict quality checks to ensure that they reach you in perfect condition. In the unlikely event that your device develops a fault, please contact our service department at the address shown on this guarantee card. Of course, if you would prefer to call us then we are also happy to offer our assistance under the service number printed below. Please note the following terms under which guarantee claims can be made:

- These guarantee terms cover additional guarantee rights and do not affect your statutory warranty rights. We do not charge you for this guarantee.
- Our guarantee only covers problems caused by material or manufacturing defects, and it is restricted to the rectification of these defects or replacement of the device. Please note that our devices have not been designed for use in commercial, trade or industrial applications. Consequently, the guarantee is invalidated if the equipment is used in commercial, trade or industrial applications or for other equivalent activities. The following are also excluded from our guarantee: compensation for transport damage, damage caused by failure to comply with the installation/assembly instructions or damage caused by unprofessional installation, failure to comply with the operating instructions (e.g. connection to the wrong mains voltage or current type), misuse or inappropriate use (such as overloading of the device or use of non-approved tools or accessories), failure to comply with the maintenance and safety regulations, ingress of foreign bodies into the device (e.g. sand, stones or dust), effects of force or external influences (e.g. damage caused by the device being dropped) and normal wear resulting from proper operation of the device.

The guarantee is rendered null and void if any attempt is made to tamper with the device.

- The guarantee is valid for a period of 3 years starting from the purchase date of the device. Guarantee claims should be submitted before the end of the guarantee period within two weeks of the defect being noticed. No guarantee claims will be accepted after the end of the guarantee period. The original guarantee period remains applicable to the device even if repairs are carried out or parts are replaced. In such cases, the work performed or parts fitted will not result in an extension of the guarantee period, and no new guarantee will become active for the work performed or parts fitted. This also applies when an on-site service is used.
- In order to assert your guarantee claim, please contact the service partner shown below. If the complaint is within the guarantee period, we will provide you with a return slip, with which you can return your defective device free of charge to us. It would help us if you could describe the nature of the problem in as much detail as possible. If the defect is covered by our guarantee then your device will either be repaired immediately and returned to you, or we will send you a new device.

Of course, we are also happy offer a chargeable repair service for any defects which are not covered by the scope of this guarantee or for units which are no longer covered. To take advantage of this service, please send the device to our service address.

#### Service-Hotline (GB):

00800 4003 4003  
(0,00 EUR/Min.)

#### Service-Email (GB):

service.GB@scheppach.com

#### Service Address (GB):

Forest Park & Garden  
Coed Court, Taffsmead Road  
Treforest, Ind. Estate, Pontypridd CF375SW

#### Service-Hotline (IE):

00800 4003 4003  
(0,00 EUR/Min.)

#### Service-Email (IE):

service.IE@scheppach.com

#### Service Address (IE):

LetMeRepair  
1 Langlands Court / Kelvin South Business Park  
East Kilbride G75 0YB



**Service-Hotline (NI)**

00800 4003 4003

(0,00 EUR/Min.)

**Service-Email (NI):**

service.NI@schepdach.com

**Service Address (NI):**

Forest Park &amp; Garden

Coed Court, Taffsmead Road

Treforest, Ind. Estate, Pontypridd CF375SW

**Service-Hotline (CY):**

00800 4003 4003

(0,00 EUR/Min.)

**Service-Email (CY):**

service.CY@schepdach.com

**Service Address (CY):**

GEORGE C SOLOMONIDES &amp; SON LTD

PO.BOX 56236 / 169, LEONTIOS A'

GR - 3305 LIMASSOL/CYPRUS

**Numero servizio assistenza (IT):**

00800 4003 4003

(0,00 EUR/Min.)

**Indirizzo e-mail (IT):**

service.IT@schepdach.com

**Indirizzo servizio assistenza (IT):**

TeleMarCom

Am Ziegelweiher 24

DE - 61130 Nidderau



At [www.lidl-service.com](http://www.lidl-service.com) you can download this and many more manuals, product videos plus installation software.



The QR code takes you directly to the Lidl service page ([www.lidl-service.com](http://www.lidl-service.com)) and you can open your operating manual by entering the article number (IAN) 403506\_2204.

---

1.	Erklärung der Symbole auf dem Gerät.....	25
2.	Benutzerhinweis .....	26
3.	Einleitung .....	27
4.	Gerätebeschreibung .....	27
5.	Lieferumfang.....	27
6.	Bestimmungsgemäße Verwendung.....	28
7.	Sicherheitshinweise .....	28
8.	Technische Daten .....	33
9.	Vor Inbetriebnahme .....	34
10.	Inbetriebnahme .....	36
11.	Anwendung .....	38
12.	Transport.....	41
13.	Reinigung und Wartung .....	41
14.	Lagerung.....	44
15.	Entsorgung und Wiederverwertung.....	45
16.	Störungsabhilfe .....	46
17.	Garantieurkunde .....	47
18.	Explosionszeichnung.....	398
19.	Konformitätserklärung.....	400

## 1. Erklärung der Symbole auf dem Gerät

 <p>Lesen, verstehen und befolgen Sie alle Warnhinweise.</p>	 <p>Lesen Sie die komplette Bedienungsanleitung bevor Sie das Gerät benutzen.</p>
 <p>Warnung! Gefahr von Rückschlag (Kickback). Hüten Sie sich vor einem Rückschlag der Kettensäge und vermeiden Sie Kontakt mit der Schienenspitze.</p>	 <p>Das Gerät nicht bei Regen oder bei feuchten Bedingungen betreiben.</p>
 <p>Schutzbrille tragen. Gehörschutz tragen.</p>	 <p>Schutzhelm tragen.</p>
 <p>Tragen Sie immer Sicherheits- und Anti-Vibrations-Handschuhe, wenn Sie das Gerät benutzen.</p>	 <p>Tragen Sie immer rutschfeste Sicherheitsschuhe mit Schnitenschutz, wenn Sie das Gerät benutzen.</p>
 <p>Wichtig ist das Tragen von Schutzkleidung für Füße, Beine, Hände und Unterarme.</p>	 <p>Bedienen Sie die Kettensäge immer mit beiden Händen. Arbeiten Sie nicht einhändig mit der Kettensäge.</p>
 <p>Achtung! Kettensägeneinsatz in Kombination mit Seilklettertechnik. Bevor Sie mit der Arbeit beginnen machen Sie sich mit allen Arbeitshinweisen vertraut!</p>	 <p>Offenes Feuer im Arbeitsbereich verboten!</p>
 <p>Einfüllöffnung für Kraftstoff. Öl- und Kraftstoffmischung 1:40</p>	 <p>Drehrichtung</p>
 <p>Öltankverschluss für Kettenöl</p>	 <p>Einstellung der Kettenbremse: Weißer Pfeil: Kettenbremse inaktiv Schwarzer Pfeil: Kettenbremse aktiv</p>
 <p>Kaltstarthebel (Choke)</p>	 <p>Kettenbremse lösen</p>
 <p>Kettenbremse aktivieren</p>	 <p>Einbauichtung der Sägekette</p>
 <p>Einstellung Kettenschmierung</p>	 <p>Garantierter Schallleistungspegel des Gerätes.</p>

	<p>Achtung! Heiße Teile.</p>	 <p>push primer 6 times</p>	<p>6x Kraftstoffpumpe (Primer) drücken.</p>
<p><b>GEFAHR</b></p>	<p>Signalwort zur Kennzeichnung einer unmittelbar bevorstehenden Gefährdungssituation, die, wenn sie nicht vermieden wird, den Tod oder eine schwere Verletzung zur Folge hat.</p>		
<p><b>WARNUNG</b></p>	<p>Signalwort zur Kennzeichnung einer möglichen Gefährdungssituation, die, wenn sie nicht vermieden wird, den Tod oder eine schwere Verletzung zur Folge haben könnte.</p>		
<p><b>VORSICHT</b></p>	<p>Signalwort zur Kennzeichnung einer möglichen Gefährdungssituation, die, wenn sie nicht vermieden wird, eine geringfügige oder mäßige Verletzung zur Folge haben könnte.</p>		
<p><b>HINWEIS</b></p>	<p>Signalwort zur Kennzeichnung einer möglichen Gefährdungssituation, die, wenn sie nicht vermieden wird, Sachschäden am Produkt oder Eigentum/Besitz zur Folge haben könnte.</p>		

## 2. Benutzerhinweis

### WARNUNG:

**Lesen Sie vor der ersten Inbetriebnahme diese Betriebsanleitung gründlich durch und befolgen Sie unbedingt die Sicherheitsvorschriften! Diese Baumpflugesäge darf nur von „Baumpflugesägenführern mit Zusatzausbildung für Arbeiten in Hub- oder Leiterkörben bzw. Seilklettertechnik“ bedient werden!**

**Betriebsanleitung sorgfältig aufbewahren!**

### Hinweis:

**Bitte beachten Sie, dass einige nationale Vorschriften die Verwendung der Maschine einschränken können.**



Diese Baumpflugesäge ist speziell für Baumpflege und Baumchirurgie vorgesehen. Alle Arbeiten mit Baumpflugesäge sind speziell für Baumpflege und Baumchirurgie vorgesehen. Alle Arbeiten mit dieser Baumpflugesäge dürfen nur von ausgebildeten Baumpflugesägenführern durchgeführt werden!

### 3. Einleitung

#### HERSTELLER:

#### Scheppach GmbH

Günzburger Straße 69  
D-89335 Ichenhausen

#### VEREHRTER KUNDE,

Wir wünschen Ihnen viel Freude und Erfolg beim Arbeiten mit Ihrem neuen Gerät.

#### HINWEIS:

Der Hersteller dieses Gerätes haftet nach dem geltenden Produkthaftungsgesetz nicht für Schäden, die an diesem Gerät oder durch dieses Gerät entstehen bei:

- unsachgemäßer Behandlung,
- Nichtbeachtung der Bedienungsanweisung,
- Reparaturen durch Dritte, nicht autorisierte Fachkräfte,
- Einbau und Austausch von nicht originalen Ersatzteilen,
- nicht bestimmungsgemäßer Verwendung.

#### Beachten Sie:

Lesen Sie vor der Montage und vor Inbetriebnahme den gesamten Text der Bedienungsanleitung durch.

Diese Bedienungsanleitung soll es Ihnen erleichtern, Ihr Gerät kennenzulernen und dessen bestimmungsgemäßen Einsatzmöglichkeiten zu nutzen.

Die Bedienungsanleitung enthält wichtige Hinweise, wie Sie mit dem Gerät sicher, fachgerecht und wirtschaftlich arbeiten, und wie Sie Gefahren vermeiden, Reparaturkosten sparen, Ausfallzeiten verringern und die Zuverlässigkeit und Lebensdauer des Gerätes erhöhen.

Zusätzlich zu den Sicherheitsbestimmungen dieser Bedienungsanleitung müssen Sie unbedingt die für den Betrieb des Gerätes geltenden Vorschriften Ihres Landes beachten.

Bewahren Sie die Bedienungsanleitung, in einer Plastikhülle geschützt vor Schmutz und Feuchtigkeit, bei dem Gerät auf. Sie muss von jeder Bedienungsperson vor Aufnahme der Arbeit gelesen und sorgfältig beachtet werden.

An dem Gerät dürfen nur Personen arbeiten, die im Gebrauch des Gerätes unterwiesen und über die damit verbundenen Gefahren unterrichtet sind. Das geforderte Mindestalter ist einzuhalten.

Neben den in dieser Bedienungsanleitung enthaltenen Sicherheitshinweisen und den besonderen Vorschriften Ihres Landes sind die für den Betrieb von baugleichen Maschinen allgemein anerkannten technischen Regeln zu beachten.

Wir übernehmen keine Haftung für Unfälle oder Schäden, die durch Nichtbeachten dieser Anleitung und den Sicherheitshinweisen entstehen.

### 4. Gerätebeschreibung

1. Sägekette
2. Führungsschiene
3. Vorderer Handschutz
4. Kraftstoffpumpe „Primer“
5. Gashebel
6. Hinterer Handgriff
7. Gashebelsperre
8. Startseilzug
9. Luftfilterabdeckung
10. Verschluss für die Luftfilterabdeckung
11. Kettenöltankverschluss
12. Vorderer Handgriff
13. Kraftstofftankverschluss
14. Kaltstarthebel (Choke)
15. Ein- /Ausschalter
16. Befestigungsmuttern
17. Kettenradabdeckung
18. Schalldämpfer
19. Aufhängevorrichtung
20. Zündkerzenschlüssel / Schlitzschraubendreher
21. Abdeckung der Führungsschiene
22. Mischbehälter
23. Kettenspannschraube
24. Krallenanschlag
25. Kettenfänger
26. Kettenspannstift
27. Kettenrad
28. Führungsnut
29. Befestigungsbolzen
30. Zahnrad
31. Schmieröffnung
32. Ölgulierungsschraube
33. Luftfilter
34. Zündkerze
35. Zündkerzenstecker
36. Saugkopf

### 5. Lieferumfang

- Baumpflugesäge
- Sägekette
- Führungsschiene
- Abdeckung der Führungsschiene
- Zündkerzenschlüssel / Schlitzschraubendreher
- Mischbehälter

## 6. Bestimmungsgemäße Verwendung

Dieses Gerät ist eine besonders leichte, handliche Baumpflugesäge mit oberliegendem Handgriff. Die Baumpflugesäge ist speziell für Baumchirurgie und Baumpflege entwickelt worden. Diese Baumpflugesägen dürfen daher nur von „Baumpflugesägenführern mit Zusatzausbildung für Arbeiten in Hub- oder Leiterkörben bzw. Seilklettertechnik“ bedient werden. Für gelegentlichen Einsatz in dünnem Holz, Obstbaumpflege, Entasten, Ablängen.

Die Aufbereitung von Kaminholz darf nur vorgenommen werden, solange der Holzdurchmesser nicht die Schnittlänge (20cm) überschreitet. Für diese Arbeiten empfehlen wir eine konventionelle Motorsäge mit langem Griffabstand bzw. Schnittlänge.

Wer das Gerät nicht benutzen darf:  
Personen, die nicht mit der Bedienungsanleitung vertraut sind, Kinder unter 16 Jahren sowie Personen, die unter Alkohol, Drogen, Medikamenteneinfluss stehen, müde oder krank sind.

Das Gerät dient bestimmungsgemäß ausschließlich zum Sägen von Holz. Der Hersteller haftet nicht für Schäden, die durch nicht bestimmungsgemäße Verwendung oder falsche Bedienung verursacht wurde.

Das Gerät darf nur nach seiner Bestimmung verwendet werden. Jede weitere darüber hinausgehende Verwendung ist nicht bestimmungsgemäß. Für daraus hervorgerufene Schäden oder Verletzungen aller Art haftet der Benutzer/Bediener und nicht der Hersteller.

Bestandteil der bestimmungsgemäßen Verwendung ist auch die Beachtung der Sicherheitshinweise, sowie die Montageanleitung und Betriebshinweise in der Bedienungsanleitung. Personen, welche das Gerät bedienen und warten, müssen mit dieser vertraut und über mögliche Gefahren unterrichtet sein.

Darüber hinaus sind die geltenden Unfallverhütungsvorschriften genauestens einzuhalten.

Sonstige allgemeine Regeln in arbeitsmedizinischen und sicherheitstechnischen Bereichen sind zu beachten. Veränderungen an dem Gerät schließen eine Haftung des Herstellers und daraus entstehende Schäden gänzlich aus.

Bitte beachten Sie, dass unsere Geräte bestimmungsgemäß nicht für den gewerblichen, handwerklichen oder industriellen Einsatz konstruiert wurden. Wir übernehmen keine Gewährleistung, wenn das Gerät in Gewerbe-, Handwerks- oder Industriebetrieben sowie bei gleichzusetzenden Tätigkeiten eingesetzt wird.

### **GEFAHR**

Der Hersteller dieses Gerätes haftet nach dem geltenden Produkthaftungsgesetz nicht für Schäden, die an diesem Gerät oder durch dieses Gerät entstehen bei:

- Einbau und Austausch von nicht originalen Ersatzteilen,
- Entfernung oder Veränderung von Sicherheitskomponenten.

### 6.1 Nicht bestimmungsgemäße Verwendung

- Dieses Gerät ist nicht für Fällarbeiten geeignet.
- Benutzen Sie die Führungsschiene nicht als Hebel, um Baumstämme oder ähnliches zu bewegen.
- Sägen von Holz mit einem Durchmesser über 20cm ist nicht erlaubt.

## 7. Sicherheitshinweise

### 7.1 Allgemeine Hinweise

#### **WARNUNG**

Seien Sie stets aufmerksam, achten Sie darauf, was Sie tun und gehen Sie mit Vernunft an die Arbeit mit dem Gerät. Benutzen Sie das Gerät nicht, wenn Sie krank oder müde sind oder unter dem Einfluss von Drogen, Alkohol oder Medikamenten stehen. Ein Moment der Unachtsamkeit beim Gebrauch des Gerätes kann zu ernsthaften Verletzungen führen.

Vermeiden Sie Fehlanwendungen, benutzen Sie die Maschine nur wie unter „Bestimmungsgemäße Verwendung“ beschrieben. Die Bedienungsanleitung enthält wichtige Hinweise, wie Sie mit der Kettensäge sicher und fachgerecht arbeiten und Gefährdungen vermeiden können.

Sollte es trotzdem zu einer Blockade zwischen dem Schnittgut und der Sägekette kommen, schalten Sie diese umgehend aus. Warten Sie bis die Sägekette zum Stillstand gekommen ist. Entfernen Sie den Zündkerzenstecker und ziehen Sie schnittfeste Handschuhe an, um die Blockade zu entfernen. Falls die Führungsschiene (Schwert) entfernt werden muss, folgen Sie den Anweisungen wie im Kapitel „Montage“ beschrieben. Nach Beseitigung der Blockade und erneuter Montage muss ein Probelauf durchgeführt werden.

Wenn hierbei Vibrationen oder mechanische Geräusche festgestellt werden, stellen Sie die Arbeit ein und wenden Sie sich an eine autorisierte Servicestelle. Sollte diese Gefährdung öfters vorkommen, empfehlen wir eine erneute Schulung.

- Lesen Sie vor der Inbetriebnahme die Betriebsanleitung Ihres Gerätes und beachten Sie besonders die Sicherheitshinweise.
- Die an dem Gerät angebrachten Warn- und Hinweisschilder geben wichtige Hinweise für den gefahrlosen Betrieb.
- Neben den Hinweisen in der Betriebsanleitung müssen die allgemeinen Sicherheits- und Unfallverhütungsvorschriften des Gesetzgebers berücksichtigt werden.
- Verpackungsfolien von Kindern fernhalten, es besteht Erststckungsgefahr!
- Unzureichend informierte Bediener können sich und andere Personen durch unsachgemäßen Gebrauch gefährden. Der Bediener ist gegenüber Dritten verantwortlich.
- Prüfen Sie vor Arbeitsbeginn die Funktion des Gashebels. Dieser muss nach dem Loslassen automatisch in die Leerlaufstellung zurückgehen.
- Arbeiten Sie nicht länger als 10 Minuten am Stück. Es empfiehlt sich, zwischen den Arbeitsgängen eine Pause von 10 - 20 Minuten zu machen.
- Leihen Sie das Gerät nur an Benutzer aus, die Erfahrung mit dem Gerät haben. Die Betriebsanleitung ist dabei zu übergeben.
- Einige Schneidaufgaben erfordern eine spezielle Schulung und besondere Fertigkeiten. Wenn Sie Zweifel haben, wenden Sie sich an einen Fachmann.
- Erstbenutzer müssen sich einweisen lassen, um sich mit den Eigenschaften des Gerätes vertraut zu machen. Zu Ihrer Sicherheit besuchen Sie einen staatlichen Motorsägenlehrgang.
- Das Gerät muss bei Nichtverwendung so abgestellt werden, dass niemand gefährdet wird. Vor unbefugtem Zugriff sichern.
- Der Benutzer des Gerätes ist für alle Unfälle und Gefahren verantwortlich, die andere Personen oder deren Eigentum schädigen.
- Kinder, Jugendliche und Personen mit verringerten physischen, sensorischen oder mentalen Fähigkeiten dürfen die Kettensäge nicht benutzen. Ausnahmen bestehen nur für Jugendliche über 16 Jahre im Rahmen der Ausbildung unter Aufsicht eines Fachkundigen.
- Die elektrische Zündanlage des Gerätes erzeugt ein geringes elektromagnetisches Feld. Wenn Sie Träger eines Herzschrittmachers oder ähnlicher Implantate sind, konsultieren Sie vor Verwenden des Gerätes Ihren Arzt, um gesundheitliche Risiken zu vermeiden.

- Beachten Sie, bei nicht ordnungsgemäßer Wartung, bei Verwendung von nicht konformen Ersatzteilen oder Entfernung oder Modifikation der Sicherheitseinrichtungen kann es zu Schäden am Gerät und schweren Verletzungen der damit arbeitenden Person führen.

## 7.2 Persönliche Schutzausrüstung (PSA)

### ⚠ GEFAHR

Tragen Sie immer persönliche Schutzausrüstung (PSA), wie Augenschutz (Visier oder Brille), Kopf-, Hand-, Bein- und Fußschutz, die zum Klettern auf Bäumen geeignet ist!

- Tragen Sie einen Schutzhelm mit Gesichtsschutz bzw. Schutzbrille und Gehörschutz.
- Tragen Sie eng anliegende Schutzkleidung mit Schnittschutzeinlage.
- Tragen Sie rutschfeste Sicherheitsschuhe.
- Tragen Sie Schutzhandschuhe.
- Vermeiden Sie weite Kleidung, die sich verfangen kann.
- Tragen Sie keinen Schal, keine Krawatte und keinen Schmuck!
- Bei langen Haaren benutzen Sie ein Haarnetz!
- Tragen Sie bei sämtlichen Arbeiten im Wald einen Schutzhelm. Dieser bietet Schutz vor herabfallenden Ästen. Überprüfen Sie den Schutzhelm regelmäßig auf Beschädigungen. Nach 5 Jahren ist dieser spätestens auszutauschen. Verwenden Sie nur geprüfte Schutzhelme.
- Der Gesichtsschutz bzw. die Schutzbrille hält Sägespäne und Holzsplitter ab. Um Verletzungen der Augen zu vermeiden, ist beim Arbeiten mit dem Gerät stets ein Gesichtsschutz bzw. eine Schutzbrille zu tragen.
- Tragen Sie immer einen Gehörschutz. Der von dem Gerät ausgehende Lärm kann zu Hörschäden führen.
- Tragen Sie robuste Schutzhandschuhe aus widerstandsfähigem Material, wie z. B. Leder.
- Tragen Sie beim Sägen von trockenem Holz eine Staubschutzmaske. Es kann zur Bildung von Sägestaub kommen.
- Wenn im Baum gearbeitet wird, kann der Benutzer abstürzen. Der Benutzer kann schwer verletzt oder getötet werden. Ausrüstung zur Absturzsicherung tragen.

## 7.3 Lagerung und Transport

- Schalten Sie die Kettensäge vor jedem Transport ab, auch bei kürzeren Strecken. Schalten Sie die Kettenbremse ein und bringen Sie den Kettenschutz an.
- Verwenden Sie den Kettenschutz bei Transport und Lagerung.

- Sichern Sie die Maschine während des Transports (auch in Fahrzeugen) gegen Umkippen, um Kraftstoffverlust, Schäden oder Verletzungen zu vermeiden.
- Tragen Sie das Gerät nur am vorderen Handgriff. Die Führungsschiene zeigt dabei nach hinten, von Ihrem Körper abgewandt.
- Halten Sie den heißen Schalldämpfer vom Körper weg. Es besteht Verbrennungsgefahr!
- Reinigen und warten Sie die Kettensäge vor der Lagerung.
- Lagern Sie das Gerät an einem sicheren und trockenen Ort. Sichern Sie es auch vor unbefugtem Zugriff.

#### 7.4 Umgebungssicherheit

- Nationale und / oder kommunale Regelungen können die Verwendung Lärm erzeugender, motorbetriebener Geräte zeitlich einschränken. Erkundigen Sie sich darüber bei Ihrer kommunalen Verwaltung.
- Das Gerät darf nicht in Innenräumen oder anderen schlecht belüfteten Bereichen betrieben werden. Es besteht Erstickungsgefahr durch die giftigen Abgase/Schmieröldämpfe.
- Führen Sie Arbeiten nur bei Tageslicht aus.
- Arbeiten Sie auch nicht bei ungünstigen Wetterbedingungen, wie z. B. Regen oder Wind. Hierbei besteht ein erhöhtes Unfallrisiko.
- Halten Sie Ihren Arbeitsbereich sauber und aufgeräumt.
- Halten Sie Kinder, andere Personen und Tiere vor und während der Arbeit fern. Sie können bei Ablenkung die Kontrolle über das Gerät verlieren.
- Vergewissern Sie sich vor Arbeitsbeginn, dass sich keine Personen, Tiere oder Sachwerte in der Gefahrenzone befinden.
- Arbeiten Sie nicht in der Nähe von Drahtzäunen oder in Bereichen mit losem Altdraht.
- Stellen Sie Feuerlöschmittel bereit, wenn Sie in leicht entzündlicher Umgebung, wie z. B. bei trockenem Gras usw. arbeiten. Es besteht Brandgefahr!

#### 7.5 Kraftstoff einfüllen

- Benzin ist sehr leicht entzündlich. Halten Sie beim Betanken Abstand von offenem Feuer und rauchen Sie nicht dabei. Es besteht Brandgefahr!
- Achten Sie darauf, dass Sie kein Benzin verschütten. Benzin oder Kettenöl darf nicht ins Erdreich gelangen. Nehmen Sie geeignete Unterlagen zur Hilfe.
- Tanken Sie nur in gut belüfteten Bereichen. Benzindämpfe können sich leicht entzünden oder explodieren.
- Schalten Sie den Motor vor dem Tanken ab und lassen Sie das Gerät abkühlen. Wurde Benzin verschüttet, reinigen Sie sofort die betroffenen Stellen. Lassen Sie auch keinen Kraftstoff auf Ihre Kleidung kommen, ansonsten sofort wechseln.

- Vermeiden Sie auch Haut- und Augenkontakt mit Benzin oder Schmierstoffen (Öl).
- Atmen Sie Benzindämpfe/Schmieröldämpfe nicht ein.
- Achten Sie auf Undichtigkeiten. Wenn Benzin ausläuft, starten Sie den Motor nicht. Es besteht Gefahr durch Verbrennungen.
- Öffnen Sie den Tankverschluss nur vorsichtig, damit bestehender Überdruck langsam entweichen kann und kein Benzin herausspritzt.

#### 7.6 Vor der Inbetriebnahme

##### **WARNUNG**

Führen Sie Überprüfungen immer vor der Inbetriebnahme und bei ausgeschaltetem Motor durch.

Überprüfen Sie das Gerät vor jedem Gebrauch und nachdem es zu Boden gefallen ist auf betriebssicheren Zustand.

Überprüfen Sie, ob alle beweglichen Teile einwandfrei funktionieren. Viele Unfälle haben ihre Ursache in schlecht gewarteten Werkzeugen. Lassen Sie beschädigte Teile von qualifiziertem Fachpersonal reparieren.

Verwenden Sie die Kettensäge und das Zubehör nur entsprechend diesen Anweisungen. Berücksichtigen Sie dabei die Arbeitsbedingungen und die auszuführende Tätigkeit. Der Gebrauch von Motorwerkzeugen für andere als die vorgesehenen Anwendungen kann zu gefährlichen Situationen führen.

- Überprüfen Sie regelmäßig die Kettenbremse auf Funktionstüchtigkeit (vorderer Handschutz, siehe Abb. 2).
- Überprüfen Sie die Führungsschiene, ob diese richtig montiert ist.
- Überprüfen Sie die Sägekette, ob diese richtig gespannt ist. Befolgen Sie die Anweisungen für die Schmierung, die Kettenspannung und das Wechseln von Zubehör. Eine unsachgemäß gespannte oder geschmierte Kette kann entweder reißen oder das Rückschlagrisiko erhöhen.
- Halten Sie Schneidwerkzeuge scharf und sauber. Schärfen Sie regelmäßig nach und tauschen Sie verschlissene Teile rechtzeitig aus. Sorgfältig gepflegte Schneidwerkzeuge mit scharfen Schneidkanten verklemmen sich weniger und sind leichter zu führen.
- Überprüfen Sie den Gashebel und die Gashebelsperre auf Leichtgängigkeit. Der Gashebel muss in die Ausgangsposition zurückfedern.
- Überprüfen Sie, ob sich genügend Kraftstoff und Ketten-schmieröl im Tank befinden.
- Überprüfen Sie, ob die Handgriffe sauber, trocken und frei von Öl und Schmutz sind.
- Führen Sie die Arbeiten nie alleine durch. Im Notfall muss jemand in der Nähe sein.



- Benutzen Sie die Kettensäge nur, wenn Sie auf festem, sicherem und ebenem Grund stehen. Vermeiden Sie eine abnormale Körperhaltung. Rutschiger Untergrund oder instabile Standflächen (z. B. auf einer Leiter) können zum Verlust des Gleichgewichts oder zum Verlust der Kontrolle über die Kettensäge führen. Sorgen Sie für einen sicheren Stand und halten Sie jederzeit das Gleichgewicht. So können Sie die Kettensäge in unerwarteten Situationen besser kontrollieren.
- Arbeiten Sie mit der Kettensäge nicht auf einem Baum. Bei Betrieb auf einem Baum besteht Verletzungsgefahr.
- Sägen Sie niemals über Schulterhöhe.
- Halten Sie die Kettensäge immer mit Ihrer rechten Hand am hinteren Griff und Ihrer linken Hand am vorderen Griff. Das Festhalten der Kettensäge in umgekehrter Arbeitshaltung erhöht das Risiko von Verletzungen und darf nicht angewendet werden.
- Halten Sie bei laufender Kettensäge alle Körperteile von der Sägekette fern. Vergewissern Sie sich vor dem Starten der Kettensäge, dass die Sägekette nichts berührt. Beim Arbeiten mit einer Kettensäge kann ein Moment der Unachtsamkeit dazu führen, dass Bekleidung oder Körperteile von der Sägekette erfasst werden.
- Schalten Sie die Kettensäge sofort aus, wenn Sie spürbare Veränderungen im Geräteverhalten feststellen.
- Wenn die Kettensäge mit Steinen, Nägeln oder sonstigen harten Gegenständen in Berührung gekommen ist, stoppen Sie sofort den Motor und überprüfen Sie die Sägekette und die Führungsschiene auf Beschädigungen.
- Lassen Sie die Kettensäge nicht fallen, schlagen Sie sie nicht gegen Hindernisse und benutzen Sie die Führungsschiene nie als Hebel.
- Sägen Sie mit der Kettensäge nur in Holz.
- Rechnen Sie beim Schneiden eines unter Spannung stehenden Astes damit, dass dieser zurückfedert. Wenn die Spannung in den Holzfasern freikommt, kann der gespannte Ast die Bedienperson treffen und/oder die Kettensäge der Kontrolle entreißen.
- Seien Sie besonders vorsichtig beim Schneiden von Unterholz und jungen Bäumen. Das dünne Material kann sich in der Sägekette verfangen und auf Sie schlagen oder Sie aus dem Gleichgewicht bringen.

### 7.7 Vibrationen

#### **WARNUNG**

Vermeiden Sie die Schwingungsrisiken, z. B. das Risiko einer Weißfingererkrankung (Durchblutungsstörungen) durch häufige Arbeitspausen, in denen Sie z. B. Ihre Handflächen aneinanderreiben.

- Tragen Sie immer Schutzhandschuhe und achten Sie auf warme Hände.
- Achten Sie darauf, dass die Kette immer scharf ist.
- Legen Sie regelmäßige Arbeitspausen ein.

### 7.8 Vorsichtsmaßnahmen gegen Rückschlag

#### **WARNUNG**

Achten Sie beim Arbeiten auf Rückschlag des Gerätes. Es besteht Verletzungsgefahr. Sie vermeiden Rückschläge durch Vorsicht und richtige Sägetechnik.

- Eine Berührung mit der Schienenspitze kann in manchen Fällen zu einer unerwarteten, nach hinten gerichteten Reaktion führen, bei der die Führungsschiene nach oben und in Richtung der Bedienperson geschlagen wird.
- Rückschlag kann auftreten, wenn die Spitze der Führungsschiene einen Gegenstand berührt oder wenn das Holz sich biegt und die Sägekette im Schnitt festklemmt.
- Das Verklemmen der Sägekette an der Oberkante der Führungsschiene kann die Kettensäge schnell unkontrolliert in Bedienrichtung zurückstoßen.
- Das Verklemmen der Sägekette an der Unterkante der Führungsschiene kann die Kettensäge schnell unkontrolliert von der Bedienrichtung wegziehen.
- Seien Sie extrem vorsichtig, wenn Sie die Kette der Kettensäge zum Weitersägen in einen schon begonnenen Schnitt einsetzen.
- Sägen Sie keine Äste oder Holzstücke, die während des Sägevorgangs ihre Position verändern könnten oder bei denen sich der Schnitt im Verlauf des Sägevorgangs schließt.
- Jede dieser Reaktionen kann dazu führen, dass Sie die Kontrolle über die Säge verlieren und sich möglicherweise schwer verletzen. Verlassen Sie sich nicht ausschließlich auf die in der Kettensäge eingebauten Sicherheitseinrichtungen. Ergreifen Sie als Benutzer einer Kettensäge verschiedene Maßnahmen, um unfall- und verletzungsfrei zu arbeiten.

Ein Rückschlag ist die Folge eines falschen oder fehlerhaften Gebrauchs. Er kann durch geeignete Vorsichtsmaßnahmen, wie nachfolgend beschrieben, verhindert werden:

- Halten Sie die Säge mit beiden Händen fest, wobei Daumen und Finger die Griffe der Kettensäge umschließen. Bringen Sie Ihren Körper und die Arme in eine Stellung, in der Sie den Rückschlagkräften standhalten können. Wenn geeignete Maßnahmen getroffen werden, kann die Bedienperson die Rückschlagkräfte beherrschen. Niemals die Kettensäge loslassen.

- Vermeiden Sie eine abnormale Körperhaltung und sägen Sie nicht über Schulterhöhe. Dadurch wird ein unbeabsichtigtes Berühren mit der Schienenspitze vermieden und eine bessere Kontrolle der Kettensäge in unerwarteten Situationen ermöglicht.
- Verwenden Sie stets vom Hersteller vorgeschriebene Ersatzschienen und Sägeketten. Falsche Ersatzschienen und Sägeketten können zum Reißen der Sägekette und/oder zu Rückschlag führen.
- Halten Sie sich an die Anweisungen des Herstellers für das Schärfen und die Wartung der Sägekette. Zu niedrige Tiefenbegrenzer erhöhen die Neigung zu Rückschlag.
- Sägen Sie nicht mit der Schwertschneidspitze. Es besteht Rückschlaggefahr. (Abb. 7)
- Vergewissern Sie sich, dass sich keine Nägel oder Metallstücke im Schneidbereich befinden. Achten Sie besonders auf Nägel oder Eisenstücke in der Umgebung des Schneidbereichs. Seien Sie auch vorsichtig beim Sägen von Hartholz, bei denen sich die Kette verhaken kann. Dadurch kann es zum Rückschlag kommen.
- Beginnen Sie den Schnitt mit voller Kraft und halten Sie die Kettensäge während des Sägens immer auf Höchstgeschwindigkeit.
- Sorgen Sie dafür, dass keine Gegenstände am Boden liegen, über die Sie stolpern können.

## 7.9 Arbeitsverhalten und -technik

- Nur bei guten Sicht- und Lichtverhältnissen arbeiten. Auf Glätte, Nässe, Eis und Schnee besonders achten (Rutschgefahr). Erhöhte Rutschgefahr besteht auf frisch geschältem Holz (Rinde).
- Nie auf instabilen Untergründen arbeiten. Auf Hindernisse im Arbeitsbereich achten, Stolpergefahr. Auf sicheren Stand muss laufend geachtet werden.
- Nie über Schulterhöhe sägen.
- Nie auf Leitern stehend sägen.
- Nie ohne entsprechende Rückhaltesysteme für Mensch und Maschine mit der Kettensäge in den Baum steigen und Arbeiten durchführen. Wir empfehlen stets von einer Arbeitsbühne aus die Arbeiten durchzuführen.
- Nicht zu weit vorgebeugt arbeiten.
- Kettensäge so führen, dass sich kein Körperteil im verlängerten Schwenkbereich der Sägekette befindet.
- Mit der Kettensäge nur Holz sägen.
- Nicht mit der laufenden Sägekette den Erdboden berühren.
- Bereich des Schnittes von Fremdkörpern wie Sand, Steine, Nägel usw. säubern. Fremdkörper beschädigen die Sägevorrichtung und können zum gefährlichen Rückschlag (Kickback) führen sowie weggeschleudert werden.

- Beim Sägen von Schnittholz sichere Auflage verwenden (wenn möglich Sägebock). Das Holz darf nicht mit dem Fuß oder einer weiteren Person festgehalten werden.
- Rundhölzer sind gegen Verdrehen im Schnitt zu sichern.
- Niemals ohne Krallenanschlag arbeiten, die Kettensäge kann den Bediener nach vorne reißen. Benutzen Sie den Krallenanschlag zum Schneiden von Baumstämmen oder dicken Ästen. Eine Benutzung des Krallenanschlages erhöht die Arbeitssicherheit, verringert die persönliche Belastung beim Arbeiten und Vibrationen werden verringert.
- Bei Fäll- und Ablängschnitten muss die Zackenleiste (Krallenanschlag) an das zu schneidende Holz angesetzt werden. Auch zum Durchsägen von dicken Ästen wird der Einsatz der Zackenleiste empfohlen.
- Vor jedem Ablängschnitt Zackenleiste fest ansetzen, erst dann mit laufender Sägekette in das Holz sägen. Die Säge wird dabei am hinteren Griff hochgezogen und am Bügelgriff geführt. Die Zackenleiste dient als Drehpunkt. Das Nachsetzen erfolgt mit leichtem Druck auf den Bügelgriff. Die Kettensäge dabei etwas zurückziehen. Zackenleiste tiefer ansetzen und erneut den hinteren Griff hochziehen.
- Vorsicht beim Schneiden von gesplittetem Holz. Es können abgesägte Holzstücke mitgerissen werden (Verletzungsgefahr).
- Die Kettensäge kann beim Schneiden mit der Schienenseite in Richtung Bediener gestoßen werden, wenn die Sägekette einklemmt. Deshalb sollte nach Möglichkeit mit der Schienenseite gesägt werden, da die Kettensäge vom Körper weg in Richtung Holz gezogen wird.
- Holz unter Spannung muss immer zuerst auf der Druckseite eingeschnitten werden. Erst dann kann der Trennschnitt auf der Zugseite erfolgen. So wird das Einklemmen der Schiene vermieden.
- Wenn im Baum gearbeitet wird, kann die Motorsäge herunterfallen. Personen können schwer verletzt werden und Sachschaden kann entstehen. Motorsäge über die Aufhängvorrichtung sichern.
- Bevor die Sägekette im Schnittbereich geführt wird, kann es zum seitlichen Wegrutschen oder zum Springen der Motorsäge kommen.

## **⚠️ ACHTUNG**

### **Erhöhtes Rückschlagrisiko!**

Um im Moment des „Durchsägens“ die volle Kontrolle zu behalten, reduzieren Sie gegen Ende des Schnitts den Anpressdruck, ohne den festen Griff an den Handgriffen der Kettensäge zu lösen. Achten Sie darauf, dass die Sägekette nicht den Boden berührt. Warten Sie nach Fertigstellung des Schnitts den Stillstand der Sägekette ab, bevor Sie die Kettensäge entfernen. Schalten Sie den Motor der Kettensäge immer aus, bevor Sie von Baum zu Baum wechseln.

## **⚠️ WARNUNG**

Bei längeren Arbeiten kann es auf Grund von Vibrationen in den Händen der Bedienungsperson zu Durchblutungsstörungen (Weißfingersyndrom) kommen.

Das Weißfingersyndrom ist eine Gefäßerkrankung, bei der die kleinen Blutgefäße an den Fingern und Zehen anfallartig verkrampfen. Die betroffenen Areale werden nicht mehr ausreichend mit Blut versorgt und erscheinen dadurch extrem blass. Der häufige Gebrauch von vibrierenden Geräten kann bei Personen, deren Durchblutung beeinträchtigt ist (z.B. Raucher, Diabetiker) Nervenschädigungen auslösen.

Wenn Sie ungewöhnliche Beeinträchtigungen bemerken, beenden Sie sofort die Arbeit und suchen Sie einen Arzt auf.

Beachten Sie die folgenden Hinweise, um die Gefahren zu reduzieren:

- Halten Sie Ihren Körper und besonders die Hände bei kaltem Wetter warm.
- Machen Sie regelmäßig Pausen und bewegen Sie dabei die Hände, um die Durchblutung zu fördern.
- Sorgen Sie für eine möglichst geringe Vibration der Maschine durch regelmäßige Wartung und feste Teile am Gerät.

### **7.10 Restrisiken**

## **⚠️ GEFAHR**

### **VERLETZUNGSGEFAHR !**

Kontakt mit der Sägekette kann zu tödlichen Schnittverletzungen führen.

Niemals mit den Händen in die laufende Sägekette greifen.

### **RÜCKSCHLAGGEFAHR !**

Rückschlag kann zu tödlichen Schnittverletzungen führen.

### **VERBRENNUNGSGEFAHR !**

Kette und Führungsschiene erhitzen sich im Betrieb.

**Das Gerät ist nach dem Stand der Technik und den anerkannten sicherheitstechnischen Regeln gebaut. Dennoch können beim Arbeiten einzelne Restrisiken auftreten.**

Des Weiteren können trotz aller getroffener Vorkehrungen nicht offensichtliche Restrisiken bestehen.

Restrisiken können minimiert werden, wenn die „Sicherheitshinweise“ und die „Bestimmungsgemäße Verwendung“, sowie die Bedienungsanweisung insgesamt beachtet werden.

## **8. Technische Daten**

Maschine ohne Schwert

Länge x Breite x Höhe .....	270 x 230 x 240 mm
Gewicht unbetankt, ohne Schneidgaritur ca.....	3,4 kg
Gewicht unbetankt, mit Schneidgaritur ca.....	3,8 kg
Tank für Kettenschmieröl .....	0,16 l
Kraftstofftank Inhalt .....	0,23 l
Öl- und Kraftstoffmischung .....	1:40
Schnittlänge .....	20 cm
Schwertlänge.....	30 cm
Automatische Kettenölung .....	ja
Kettenteilung .....	3/8" (9,525 mm)
Kettengliedstärke .....	1,27 mm
Kettentyp.....	3/8LP-40
Anzahl Zähne Antriebskettenrad.....	6
Zahnteilung Antriebskettenrad.....	3/8"
Schwerttyp.....	AP10-40-509P
Kettengeschwindigkeit max. ....	21 m/s
Motor .....	1 Zylinder, 2 Takt Luftgekühlt
Motorhubraum .....	25,4 cm <sup>3</sup>
Max. Motorleistung nach ISO 7293.....	0,7 kW
Leerlaufdrehzahl n <sub>0</sub> .....	3300 ± 300 min <sup>-1</sup>
Maximaldrehzahl mit Schneidgaritur.....	11000 min <sup>-1</sup>
Zündkerze .....	L8RTC

**Der Schalldruckpegel ist in Abhängigkeit von der Nutzung und den zu verrichtenden Tätigkeiten so weit zu reduzieren, dass keine Beeinträchtigungen der Gesundheit des Bedieners entstehen. Der Schalldruckpegel am Arbeitsplatz kann 80 dB überschreiten. In dem Fall sind Schallschutzmaßnahmen für den Bediener erforderlich (z.B. Tragen eines Gehörschutzes).**

## Beschränken Sie die Geräuschentwicklung und Vibration auf ein Minimum!

- Verwenden Sie nur einwandfreie Geräte..
- Warten und reinigen Sie das Gerät regelmäßig.
- Passen Sie Ihre Arbeitsweise dem Gerät an.
- Überlasten Sie das Gerät nicht.
- Lassen Sie das Gerät gegebenenfalls überprüfen.
- Schalten Sie das Gerät aus, wenn es nicht benutzt wird.
- Tragen Sie Handschuhe.

Gemessener Schalldruckpegel $L_{pA}$ .....	99,2 dB
Unsicherheit $K_{pA}$ .....	3 dB
Garantierter Schalleistungspegel $L_{WA}$ .....	113 dB
Gemessener Schalleistungspegel $L_{WA}$ .....	108,7 dB
Unsicherheit $K_{WA}$ .....	3 dB

Vibration, vorderer Handgriff .....	8,98 m/s <sup>2</sup>
Vibration, hinterer Handgriff .....	8,03 m/s <sup>2</sup>
Unsicherheit .....	1,5 m/s <sup>2</sup>

## Tragen Sie einen Gehörschutz.

Die Einwirkung von Lärm kann Gehörverlust bewirken.

Die angegebenen Geräuschemissionswerte sind nach einem genormten Prüfverfahren gemessen worden und können zum Vergleich eines Gerätes mit einem anderen verwendet werden. Die angegebenen Geräuschemissionswerte können auch zu einer vorläufigen Einschätzung der Belastung verwendet werden.

### Warnung:

- Die Geräuschemissionen können während der tatsächlichen Benutzung des Gerätes von den Angabewerten abweichen, abhängig von der Art und Weise, in der das Gerät verwendet wird, insbesondere, welche Art von Werkstück bearbeitet wird.
- Versuchen Sie, die Belastung so gering wie möglich zu halten. Beispielhafte Maßnahme: die Begrenzung der Arbeitszeit. Dabei sind alle Anteile des Betriebszyklus zu berücksichtigen (beispielsweise Zeiten, in denen das Gerät abgeschaltet ist, und solche, in denen es zwar eingeschaltet ist, aber ohne Belastung läuft).

## 9. Vor Inbetriebnahme

1. Öffnen Sie die Verpackung und nehmen Sie das Gerät vorsichtig heraus.
2. Entfernen Sie das Verpackungsmaterial sowie Verpackungs- und Transportsicherungen (falls vorhanden).
3. Überprüfen Sie, ob der Lieferumfang vollständig ist.

4. Kontrollieren Sie das Gerät und die Zubehörteile auf Transportschäden.
5. Bewahren Sie die Verpackung nach Möglichkeit bis zum Ablauf der Garantiezeit auf.
6. Entfernen Sie die Kurzanleitung am Startseilzug (8).

### ACHTUNG

Gerät und Verpackungsmaterialien sind kein Kinderspielzeug! Kinder dürfen nicht mit Kunststoffbeuteln, Folien und Kleinteilen spielen! Es besteht Verschluckungs- und Erstickungsgefahr!

## 9.1 Montage der Führungsschiene (2) und Sägekette (1)

### WARNUNG

#### Verletzungsfahr!

Tragen Sie immer Schutzhandschuhe, wenn Sie die Sägekette (1) berühren. Verletzungsgefahr durch die scharfen Schneidezähne!

Verwenden Sie nur zugelassene Kombinationen von Sägekette (1) und Führungsschiene (2) (siehe Kapitel „Zugelassene Schneidgarituren“).

Führen Sie die Montage immer bei ausgeschaltetem Motor durch.

#### Hinweis

Eine neue Sägekette (1) längt sich und muss öfter nachgespannt werden. Überprüfen Sie regelmäßig die Kettenspannung und stellen Sie diese nach.

Je nach Verschleiß kann die Führungsschiene (2) gewendet werden.

1. Stellen Sie die Kettensäge auf eine ebene, stabile Unterlage.
2. Ziehen Sie den vorderen Handschutz (3) bis zum Anschlag nach hinten, um die Kettenbremse zu lösen. (Abb. 2)
3. Entfernen Sie die beiden Befestigungsmuttern (16) mit dem Zündkerzenschlüssel (20).
4. Nehmen Sie die Kettenradabdeckung (17) ab.
5. Drehen Sie die Kettenspannschraube (23) linksherum (gegen den Uhrzeigersinn), bis der Kettenspannstift (26) am rechten Anschlag steht (Abb. 3). Verwenden Sie hierzu den Schlitzschraubendreher (20).
6. Schieben Sie das Langloch der Führungsschiene (2) über die beiden herausstehenden Befestigungsbolzen (29).

7. Legen Sie die Sägekette (1) über die Zahnung des Kettenrades (27). Führen Sie die Sägekette (1) passgenau in die Führungsschiene (2) ein. In der Spitze der Führungsschiene (2) befindet sich ein Zahnrad (30), in dessen Zahnung die Sägekette (1) eingelegt werden muss. (Abb. 6 und 18)
8. Ziehen Sie etwas an der Führungsschiene (2), um die Sägekette (1) leicht vorzuspannen.
9. Setzen Sie die Kettenradabdeckung (17) wieder auf. Achten Sie darauf, dass der innenliegende Kettenspannstift (26) in die passende Bohrung der Führungsschiene (2) passt. Verstellen Sie ggf. die Kettenspannschraube (23) mit dem Schlitzschraubendreher (20).
10. Schrauben Sie die beiden Befestigungsmuttern (16) mit der Hand auf. Achten Sie aber darauf, dass Sie diese noch nicht fest anziehen. Die Befestigungsmuttern (16) werden erst nach dem Spannen der Sägekette (1) festgezogen.

## 9.2 Sägekette (1) spannen und prüfen

### **WARNUNG**

Schutzhandschuhe anziehen! Verletzungsgefahr durch die scharfen Schneidezähne!

Überprüfen Sie die Kettenspannung regelmäßig vor jeder Inbetriebnahme.

Führen Sie Überprüfungen immer vor der Inbetriebnahme und bei ausgeschaltetem Motor durch.

1. Vor dem Spannen müssen Sie die beiden Befestigungsmuttern (16) mit dem Zündkerzenschlüssel (20) etwas lösen.
2. Drehen Sie die Kettenspannschraube (23) mit dem Schlitzschraubendreher (20) im Uhrzeigersinn, um die Spannung zu erhöhen.
3. Ziehen Sie die beiden Befestigungsmuttern (16) mit dem Zündkerzenschlüssel (20) fest an.
4. Die Sägekette (1) muss an der Schwertunterseite anliegen. Prüfen Sie, ob sich die Sägekette (1) (bei gelöster Kettenbremse, vorderen Handschutz (3) nach hinten ziehen) von Hand über die Führungsschiene (2) ziehen lässt.

### **HINWEIS**

Eine neue Sägekette (1) längt sich und muss öfter nachgespannt werden.

## 9.3 Kraftstoff mischen

Der Motor muss mit einem Kraftstoffgemisch aus Benzin und Motoröl betrieben werden.

### **WARNUNG**

Direkten Hautkontakt mit Kraftstoff und Einatmen von Kraftstoffdämpfen vermeiden.

Benutzen Sie nur ein Gemisch aus bleifreiem Benzin (min. ROZ 95) und speziellem 2-Takt-Motoröl (JASO FD/ISO - L - EGD). Mischen Sie das Kraftstoffgemisch nach der Kraftstoff-Mischtablette an.

Geben Sie jeweils die richtige Menge Benzin und 2-Takt-Öl in den beiliegenden Mischbehälter (22) (siehe „Kraftstoff-Mischtablette“). Schütteln Sie anschließend den Mischbehälter (22) gut durch.

### 9.3.1 Kraftstoff-Mischtablette

**Mischverfahren: 40 Teile Benzin auf 1 Teil Öl**

**Benzin ..... 2-Takt-Öl**

**0,5 Liter ..... 12,5 ml**

## 9.4 Kraftstoff einfüllen (Abb. 8)

### **WARNUNG**

Füllen Sie den Kraftstoff nur bei ausgeschaltetem und abgekühltem Motor ein. Es besteht Brandgefahr!

1. Reinigen Sie immer den Bereich um den Kraftstofftankverschluss (13) vor dem Einfüllen, damit kein Schmutz in den Kraftstofftank fällt. Benutzen Sie hierzu ein trockenes, fusselfreies Tuch.
2. Legen Sie das Gerät auf die Seite, so dass der Kraftstofftankverschluss (13) nach oben zeigt.
3. Drehen Sie den Kraftstofftankverschluss (13) gegen den Uhrzeigersinn und öffnen Sie ihn. Der Kraftstofftankverschluss (13) ist mit einer Verliersicherung im Kraftstofftank verbunden und kann so nicht herunterfallen.
4. Füllen Sie das Kraftstoffgemisch in den Kraftstofftank. Verschütten Sie beim Auftanken keinen Kraftstoff und füllen Sie den Kraftstofftank nicht randvoll.
5. Wischen Sie verschütteten Kraftstoff sofort auf.
6. Drehen Sie den Kraftstofftankverschluss (13) im Uhrzeigersinn, um ihn zu verschließen.

### **HINWEIS**

Kontrollieren Sie nach jedem Kraftstoffeinfüllen auch das Kettenöl.

## 9.5 Kraftstoff ablassen

**Entleeren Sie den Kraftstofftank nur im Freien oder in gut belüfteten Räumen. Achten Sie darauf, dass kein Kraftstoff ins Erdreich gelangt (Umweltschutz). Verwenden Sie eine geeignete Unterlage.**

1. Halten Sie einen Auffangbehälter unter den Kraftstofftank.
2. Schrauben Sie den Kraftstofftankverschluss (13) des Kraftstofftanks auf und entfernen Sie diesen.
3. Lassen Sie das Benzin-/Ölgemisch vollständig ab.
4. Schrauben Sie den Kraftstofftankverschluss (13) von Hand wieder fest.

## 9.6 Kettenöl einfüllen (Abb. 8)

### **WARNUNG**

Füllen Sie das Sägekettenöl nur bei ausgeschaltetem und abgekühltem Motor ein. Es besteht Brandgefahr! Niemals ohne Kettenschmierung arbeiten! Bei trocken laufender Sägekette (1) wird die Schneidgarnitur in kurzer Zeit irreparabel zerstört.  
Vor der Arbeit immer Kettenschmierung überprüfen.

### **HINWEIS**

Verwenden Sie nur Sägekettenöl. Vorzugsweise biologisch abbaubar. Verwenden Sie kein Altöl, Motoröl usw.  
Kontrollieren Sie während der Arbeit, ob die Kettenschmierung funktioniert.

1. Reinigen Sie immer den Bereich um den Kettenöltankverschluss (11) vor dem Einfüllen, damit kein Schmutz in den Kettenöltank fällt. Benutzen Sie hierzu ein trockenes, fusselfreies Tuch.
2. Legen Sie das Gerät auf die Seite, so dass der Kettenöltankverschluss (11) nach oben zeigt.
3. Drehen Sie den Kettenöltankverschluss (11) gegen den Uhrzeigersinn und öffnen Sie ihn. Der Kettenöltankverschluss (11) ist mit einer Verliersicherung im Kettenöltank verbunden und kann so nicht herunterfallen.
4. Füllen Sie Bio-Kettenöl in den Kettenöltank. Verschütten Sie beim Auftanken kein Kettenöl und füllen Sie den Kettenöltank nicht randvoll.
5. Wischen Sie verschüttetes Kettenöl sofort auf.
6. Drehen Sie den Kettenöltankverschluss (11) im Uhrzeigersinn, um ihn zu verschließen.

## 10. Inbetriebnahme

### **VORSICHT**

Beachten Sie bitte die gesetzlichen Bestimmungen zur Lärm-schutzverordnung.

Prüfen Sie das Gerät vor jeder Inbetriebnahme auf:

- Dichtheit des Treibstoffsystems
- einwandfreien Zustand und Vollständigkeit der Schutzeinrichtungen und der Schnitvorrichtung
- festen Sitz sämtlicher Verschraubungen
- Leichtgängigkeit aller beweglichen Teile

### **Arbeitshinweise**

Machen Sie sich vor dem Einsatz mit dem Umgang der Kettensäge vertraut.

## 10.1 Starten des Motors

### **ACHTUNG**

Entfernen Sie sich vor dem Starten des Motors mindestens 3 Meter vom Tankplatz (Abb. 9).

Ziehen Sie den Startseilzug (8) stets gerade heraus. Halten Sie den Griff des Startseilzugs (8) fest, wenn sich der Startseilzug (8) wieder einzieht. Lassen Sie den Startseilzug (8) nie zurück-schnellen.

Lassen Sie sofort nach dem Starten des Motors den Gashebel (5) los. Stellen Sie sicher, dass die Motordrehzahl in den Leerlauf zurückgegangen ist, bevor Sie die Kettenbremse lösen (vorderen Handschutz (3) nach hinten drücken).

Ziehen Sie den Kaltstarthebel (Choke) (14) nur zum Starten heraus.

### 10.1.1 Starten bei kaltem Motor

#### **WARNUNG**

Schalten Sie die Kettenbremse vor jeder Inbetriebnahme ein (vorderen Handschutz (3) nach vorne drücken).

### **ACHTUNG**

Lassen Sie niemals den Startseilzug (8) zurückschleudern. Dies kann zu Beschädigungen führen.

1. Entfernen Sie die Abdeckung der Führungsschiene (21).
2. Stellen Sie die Kettensäge auf einen stabilen und ebenen Untergrund. Die Sägekette (1) darf dabei den Boden nicht berühren.

3. Drücken Sie den vorderen Handschutz (3) nach vorne, bis dieser einrastet. Die Sägekette (1) wird durch die Kettenbremse blockiert.
4. Drücken Sie 6x die Kraftstoffpumpe „Primer“ (4). (Abb. 1)
5. Schalten Sie den Ein- / Ausschalter (15) auf „ON“. (Abb. 1)
6. Ziehen Sie den Kaltstarthebel (Choke) (14) heraus. (Abb. 10.2)
7. Halten Sie die Kettensäge am vorderen Handgriff (12) fest und ziehen Sie den Startseilzug (8) langsam bis zum ersten Widerstand heraus.
8. Ziehen Sie nun den Startseilzug (8) rasch an, bis der Motor startet. Sollte der Motor nicht starten, wiederholen Sie den Vorgang. So lange der Kaltstarthebel (Choke) (14) herausgezogen ist, läuft der Motor nur kurz an und geht wieder aus.
9. Sobald der Motor ausgegangen ist, betätigen Sie die Gashebelsperre (7) und den Gashebel (5) zusammen. Der Kaltstarthebel (Choke) (14) springt automatisch in die Betriebsstellung „Warmstart“. (Abb. 10.1)
10. Ziehen Sie nun erneut den Startseilzug (8) rasch an, bis der Motor startet.

Springt der Motor auch nach mehreren Versuchen nicht an, lesen Sie das Kapitel „Störungsabhilfe“.

## HINWEIS

Bei hohen Außentemperaturen kann es vorkommen, dass auch bei kaltem Motor ohne Kaltstarthebel (Choke) (14) gestartet werden muss!

- Lösen Sie die Kettenbremse, indem Sie den vorderen Handschutz (3) nach hinten ziehen. (Abb. 2)
- **VORSICHT!** Die Kettenbremse ist jetzt gelöst. Wird der Gashebel (5) zusammen mit der Gashebelsperre (7) betätigt, läuft die Sägekette (1) an.

### 10.1.2 Starten bei warmem Motor (Das Gerät stand für weniger als 15–20 Minuten still.)

#### **WARNUNG**

Schalten Sie die Kettenbremse vor jeder Inbetriebnahme ein (vorderen Handschutz (3) nach vorne drücken).

1. Drücken Sie den vorderen Handschutz (3) nach vorne, bis dieser einrastet. Die Sägekette (1) wird durch die Kettenbremse blockiert.
2. Schalten Sie den Ein- / Ausschalter (15) auf „ON“.
3. Der Kaltstarthebel (Choke) (14) muss zum Starten des warmen Motors nicht gezogen werden.

4. Halten Sie die Kettensäge am vorderen Handgriff (12) fest und ziehen Sie den Startseilzug (8) langsam bis zum ersten Widerstand heraus.
5. Ziehen Sie nun den Startseilzug (8) rasch an. Das Gerät sollte nach 1–2 Zügen starten. Falls das Gerät nach 6 Zügen immer noch nicht startet, wiederholen Sie den Vorgang unter „Starten bei kaltem Motor“.

## 10.2 Motor abstellen

### 10.2.1 Not-Aus-Schrittfolge

Falls es notwendig ist, das Gerät sofort zu stoppen, stellen Sie hier zu den Ein- / Ausschalter (15) auf „OFF“. (Abb. 1)

### 10.2.2 Normale Schrittfolge

1. Lassen Sie den Gashebel (5) los. Der Motor geht in Leerlaufgeschwindigkeit über.
2. Stellen Sie dann den Ein- / Ausschalter (15) auf „OFF“. (Abb. 1)

## 10.3 Betrieb im Leerlauf

### **ACHTUNG**

Im Leerlauf muss die Sägekette (1) stillstehen.

## HINWEIS

Wenn sich die Sägekette (1) im Leerlauf bewegt oder der Motor bei Gaswegnahme von alleine ausgeht, muss eine Vergasereinstellung vorgenommen werden (siehe Kapitel „Wartung der Vergasereinstellungen“).

1. Heben Sie die Kettensäge auf.
2. Halten Sie mit der linken Hand den vorderen Handgriff (12) fest.
3. Halten Sie mit der rechten Hand den hinteren Handgriff (9) fest. Dabei liegt der Handballen auf der Gashebelsperre (7) und der Zeigefinger betätigt den Gashebel (5).
4. Nach einmaliger Betätigung des Gashebels (5) läuft der Motor im Leerlauf.
5. Lassen Sie den Motor kurz warmlaufen.

## 10.4 Kettenschmierung prüfen und einstellen

### **ACHTUNG**

- Niemals ohne Kettenschmierung arbeiten! Bei trocken laufender Sägekette (1) wird die Schneidgarnitur in kurzer Zeit irreparabel zerstört.
- Vor der Arbeit immer Kettenschmierung überprüfen.

## Hinweis

Verwenden Sie nur Sägekettenöl, vorzugsweise biologisch abbaubar. Verwenden Sie kein Altöl, Motoröl usw.

Halten Sie die Kettensäge im laufenden Betrieb, bei mittlerer Drehzahl über einen abgesägten Baumstumpf oder einer passenden Unterlage. Ist die Schmierung ausreichend, bildet sich ein leichter Ölfilm auf dem Baumstumpf oder der Unterlage.

- Falls notwendig kann die Kettenschmierung durch die Ölregulierungsschraube (32) erhöht oder verringert werden (Abb.11).
- Nehmen Sie hierzu den mitgelieferten Schlitzschraubendreher (20) zur Hilfe:
  - Drücken Sie zuerst und drehen dann die Ölregulierungsschraube (32) im Uhrzeigersinn, um die Kettenschmierung zu verringern.
  - Drücken Sie zuerst und drehen dann die Ölregulierungsschraube (32) gegen den Uhrzeigersinn, um die Kettenschmierung zu erhöhen.

## 10.5 Kettenbremse prüfen

### **WARNUNG**

Die Kettenbremse muss vor jeder Inbetriebnahme geprüft werden.

Die Kettenbremse bremst die Sägekette (1) bei einem Rückschlag sofort ab.

1. Achten Sie darauf, dass der vordere Handschutz (3) frei von Schmutz ist und sich leicht bewegen lässt.
2. Starten Sie die Kettensäge, und beschleunigen Sie die Sägekette (1) auf volle Geschwindigkeit (Vollgas).
3. Betätigen Sie bei laufender Sägekette (1) den vorderen Handschutz (3). Die Kettenbremse muss die Sägekette (1) bei max. Geschwindigkeit abbremsen und blockieren.

### **WARNUNG**

Eine erhöhte Motordrehzahl über eine zu lange Zeit, bei blockierter Kettenbremse schadet dem Motor und dem Kettenantrieb.

Sollte sich die Sägekette (1) dennoch bewegen, kontaktieren Sie den Kunden-Service.

## 11. Anwendung

### 11.1 Entastungsarbeiten

- Beachten Sie grundsätzlich die Gefahr von zurückschlagenden Ästen.
- Stehen Sie nicht auf dem Stamm beim Entasten.
- Sägen Sie nicht mit der Schienenspitze. (Abb. 7)

- Sägen Sie nie mehrere Äste auf einmal.
- Stützen Sie die Kettensäge beim Entasten möglichst mit dem Krallenanschlag (24) ab.
- Achten Sie darauf, dass am Ende des Schnittes die Kettensäge durch ihr Eigengewicht durchschwenken kann. Sie wird nicht mehr im Schnitt gestützt, halten Sie entsprechend dagegen.
- Nehmen Sie einen festen, stabilen und sicheren Stand beim Entasten ein.

#### 11.1.1 Entastungsarbeiten in Teilstücken

Kürzen Sie lange bzw. dicke Äste, bevor Sie den finalen Trennschnitt vornehmen. Die Sägekette (1) kann ansonsten leicht verklemmen.

#### 11.1.2 Unter Spannung stehendes Holz bearbeiten

Die richtige Reihenfolge beim Bearbeiten von unter Spannung stehendem Holz muss unbedingt eingehalten werden. Ansonsten kann sich die Sägekette (1) verklemmen oder es kann zu einem Rückschlag kommen.

Holz unter Spannung muss immer zuerst auf der Druckseite eingeschnitten werden. Erst dann kann der Trennschnitt auf der Zugseite erfolgen. (Abb. 24)

So wird das Einklemmen der Sägekette (1) vermieden.

### **ACHTUNG**

#### Sachschaden!

Liegendes Holz darf an der Unterseite der Schnittstelle nicht den Boden berühren, da ansonsten die Sägekette (1) beschädigt werden kann.

#### Rückschlag

- Das Verklemmen der Sägekette (1) an der Oberkante der Führungsschiene (2) kann die Kettensäge schnell unkontrolliert in Bedienrichtung zurückstoßen.

#### Hineinziehen

- Das Verklemmen der Sägekette (1) an der Unterkante der Führungsschiene (2) kann die Kettensäge schnell unkontrolliert von der Bedienrichtung wegziehen.

#### Sicheres Arbeiten

- Halten Sie das Gerät in einem guten Gebrauchszustand, um Verletzungen vorzubeugen.
- Prüfen Sie nach Fallenlassen das Gerät auf signifikante Schäden oder Defekte.
- Benutzen Sie das Gerät nicht auf einer Leiter stehend oder auf einem unsicheren Standplatz.



- Lassen Sie sich nicht zu einem unüberlegten Schnitt verleiten. Das könnte Sie selbst und andere gefährden.
- Wechseln Sie regelmäßig Ihre Arbeitsposition. Eine längere Benutzung des Gerätes kann zu vibrationsbedingten Durchblutungsstörungen der Hände führen. Sie können die Benutzungsdauer jedoch durch geeignete Handschuhe oder regelmäßige Pausen verlängern. Achten Sie darauf, dass die persönliche Veranlagung zu schlechter Durchblutung, niedrige Außentemperaturen oder große Greifkräfte beim Arbeiten die Benutzungsdauer verringern.

### 11.2 Holzstamm ist nach unten gebogen

1. Sägen Sie zuerst den Entlastungsschnitt 1 (ca. 1/3 des Stammdurchmessers) auf der Druckseite.
2. Führen Sie dann den Trennschnitt 2 (ca. 2/3 des Stammdurchmessers) auf der Zugseite aus.

### 11.3 Holzstamm ist nach oben gebogen

1. Sägen Sie zuerst den Entlastungsschnitt 1 (ca. 1/3 des Stammdurchmessers) auf der Druckseite.
2. Führen Sie dann den Trennschnitt 2 (ca. 2/3 des Stammdurchmessers) auf der Zugseite aus.

### 11.4 Baumpflegesägereinsatz zum Baumschnitt in Kombination mit der Seilklettertechnik

Dieser Anhang präsentiert angemessene Arbeitsweisen zur Reduktion der Verletzungsgefahr durch den Gebrauch von Kettensägen für die Baumpflege beim Arbeiten in der Höhe mit Seil und Tragegurt. Auch wenn er als Leitfaden und Ausbildungslehre dienen kann, sollte er nicht als Ersatz für die formale Ausbildung betrachtet werden. Der in diesem Anhang gegebene Leitfaden dient nur als Beispiel für eine gute Arbeitsweise.

Nationale oder andere Vorschriften, die strenger sein könnten, können Anwendung finden.

Der Benutzer einer Kettensäge für die Baumpflege, der in der Höhe mit Seil und Tragegurt arbeitet, sollte niemals alleine arbeiten. Ein Bodenarbeiter, der für entsprechende Notfallmaßnahmen ausgebildet ist, sollte gegenwärtig sein und ihm assistieren. Der Benutzer sollte in allgemeinen, sicheren Kletter- und Arbeitspositioniertechniken ausgebildet sein, und er sollte mit Tragegurt, Seil, Schlingen, Karabinern und sonstiger Ausrüstung zwecks Erhalt sicherer und richtiger Arbeitspositionen sowohl für sich selbst als auch für die Säge ausgestattet sein.

Nationale Gesetze und Vorschriften sind immer strikt einzuhalten.

Dieser Anhang befasst sich weder mit Techniken zur Kontrolle der von der Kettensäge abgeschnittenen Äste und Zweige noch enthält er die bereits behandelten Punkte zum sicheren Gebrauch.

#### 11.4.1 Allgemeine Anforderungen

Der Benutzer einer Kettensäge für die Baumpflege, der in der Höhe mit Seil und Tragegurt arbeitet, sollte niemals alleine arbeiten. Ein Bodenarbeiter, der für entsprechende Notfallmaßnahmen ausgebildet ist, sollte gegenwärtig sein und ihm assistieren.

Der Benutzer sollte in allgemeinen, sicheren Kletter- und Arbeitspositioniertechniken ausgebildet sein, und er sollte mit Tragegurt, Seil, Schlingen, Karabinern und sonstiger Ausrüstung zwecks Erhalt sicherer und richtiger Arbeitspositionen sowohl für sich selbst als auch für die Säge ausgestattet sein.

#### 11.4.2 Vorbereitung vor dem Gebrauch der Baumpflegesäge im Baum

Die Kettensäge sollte vom Bodenarbeiter geprüft, betankt, angelassen und warmgelaufen und dann ausgeschaltet werden, bevor sie zu dem Benutzer im Baum hochgezogen wird.

Die Kettensäge sollte mit einer passenden Schlinge versehen sein, damit sie am Tragegurt des Benutzers angebracht werden kann (Abb. 13):

- Die Schlinge ist an der auf der Rückseite der Säge befindlichen Aufhängevorrichtung (19) zu sichern (Abb. 12).
- Passende Karabiner sind bereitzustellen, um indirekte (d. h. durch die Schlinge) und direkte (d. h. an der Aufhängevorrichtung (19) der Kettensäge) Befestigung der Säge am Tragegurt des Benutzers zu ermöglichen.
- Für eine sichere Befestigung der Kettensäge ist Sorge zu tragen, wenn sie zu dem Benutzer hochgezogen wird (Abb. 14).
- Es ist sicherzustellen, dass die Kettensäge am Tragegurt befestigt ist, bevor sie vom Hubseil gelöst wird.

Durch die Möglichkeit, die Kettensäge direkt am Tragegurt zu befestigen, sinkt die Gefahr, dass die Ausrüstung beim Bewegen im Baum beschädigt wird. Die Kettensäge sollte immer ausgeschaltet sein, wenn sie direkt am Tragegurt befestigt ist.

Die Kettensäge sollte nur an den empfohlenen Aufhängevorrichtungen am Tragegurt angebracht werden. Diese dürfen in der Mitte (vorn oder hinten) oder an den Seiten sein. Wo immer möglich, ist die Kettensäge am zentrierten hinteren Mittelpunkt des Tragegurts anzubringen, um sie von Kletterseilen fernzuhalten und um das Gewicht mittig unter der Wirbelsäule des Benutzers abzufangen.

Wird die Kettensäge von irgendeiner Aufhängevorrichtung zur anderen bewegt, sollten die Benutzer sicherstellen, dass die Kettensäge in der neuen Position gesichert ist, bevor sie von der vorherigen Aufhängevorrichtung gelöst wird.

## 11.5 Einsatz der Kettensäge im Baum

Eine Analyse der Unfälle mit diesen Kettensägen bei Baumpflegearbeiten zeigt, dass die Hauptursache in der unsachgemäßen einhändigen Benutzung der Kettensäge liegt. Bei den meisten Unfällen nehmen die Benutzer keine gesicherte Arbeitsposition ein, die es ihnen erlaubt die Kettensäge an beiden Griffen zu halten, was zu einer erhöhten Verletzungsgefahr durch Folgendes führt:

- Fehlender fester Griff beim Rückschlag der Kettensäge.
- Fehlende Kontrolle der Kettensäge, so dass es leichter passieren kann, dass sie mit Kletterseilen und mit dem Körper des Benutzers (besonders mit der linken Hand und dem Arm) in Berührung kommt.
- Kontrollverlust durch eine unsichere Arbeitsposition und damit Kontakt mit der Kettensäge (unerwartete Bewegungen während der Arbeit mit der Kettensäge).

## 11.6 Gesicherte Arbeitsposition bei beidhändiger Benutzung

Damit die Kettensäge mit beiden Händen gehalten werden kann, sollten die Benutzer grundsätzlich versuchen, eine gesicherte Arbeitsposition einzunehmen, bei der die Säge wie folgt geführt wird:

- in Hüfthöhe beim Sägen horizontaler Stücke.
- in Höhe des Magens beim Sägen vertikaler Stücke.

Arbeitet der Benutzer nahe am vertikal verlaufenden Stamm mit geringen seitlichen Kräften zur Arbeitsposition, könnte ein sicherer Fußhalt für eine sichere Arbeitsposition ausreichend sein. Sobald sich die Benutzer jedoch vom Stamm entfernen, müssen sie zusätzliche Maßnahmen ergreifen, um die zunehmenden seitlichen Kräfte abzubauen oder ihnen entgegenzuwirken, z. B. durch Umlenken des Hauptseils über eine zusätzliche Aufhängevorrichtung oder durch Einsatz einer verstellbaren Schlinge, die vom Gurtgeschirr zu einer zusätzlichen Aufhängevorrichtung führt (Abb. 15 und 16).

### 11.6.1 Starten der Baumpflegesäge im Baum

Beim Anlassen der Kettensäge im Baum sollte der Benutzer:

- die Kettenbremse vor dem Anlassen betätigen (vorderen Handschutz (3) nach vorne drücken).
- die Kettensäge beim Anlassen links oder rechts vom Körper halten:
  - Die Kettensäge an der linken Seite mit der linken Hand am Vordergriff haltend und die Kettensäge vom Körper wegstoßend, während das Anwerfseil in der rechten Hand gehalten wird.
  - Die Kettensäge an der rechten Seite mit der rechten Hand an einem der beiden Griffe haltend und die Kettensäge vom Körper wegstoßend, während das Anwerfseil in der linken Hand gehalten wird.

Die Kettenbremse sollte immer aktiviert sein, bevor die laufende Kettensäge an ihrem Trageseil abgesenkt wird.

Vor schwierigen Sägearbeiten sollte der Benutzer immer darauf achten, dass die Kettensäge ausreichend Kraftstoff hat.

### 11.6.2 Einhändige Benutzung der Kettensäge

Benutzer sollten Kettensägen für die Baumpflege nicht einhändig in unstabilen Arbeitspositionen oder anstelle einer Handsäge zum Absägen von Astspitzen mit geringem Durchmesser verwenden.

Kettensägen für die Baumpflege sollten nur dann einhändig benutzt werden, wenn

- a. es den Benutzern nicht möglich ist, eine Arbeitsposition zu erlangen, die beidhändigen Einsatz zulässt.
- b. es notwendig ist, mit einer Hand die Arbeitsposition abzusichern.
- c. die Kettensäge in einer vollständig ausgestreckten Haltung, im rechten Winkel zu und außerhalb einer Linie zum Körper des Benutzers eingesetzt wird.

Benutzer sollten niemals:

- Mit dem Rückschlagbereich an der Spitze der Führungsschiene (2) der Kettensäge sägen.
- Sich an dem Ast festhalten, an dem sie sägen.
- Versuchen, fallende Teile zu fangen.

### 11.6.3 Lösen einer verklemmten Kettensäge

Falls sich die Kettensäge während des Schneidens einklemmt, sollte der Benutzer:

1. Die Kettensäge ausschalten und sie sicher zum Innern des Baumes hin (d. h. hin zum Baumstamm) oder an einem separaten Werkzeugseil befestigen.
2. Die Kettensäge aus der Kerbe ziehen, während der Ast so weit wie nötig angehoben wird,
3. Wenn nötig, eine Handsäge oder zweite Kettensäge verwenden, um die verklemmte Kettensäge zu lösen, indem mindestens 30 cm entfernt von der eingeklemmten Kettensäge geschnitten wird.

Unabhängig davon, ob eine Hand- oder Kettensäge zum Lösen einer eingeklemmten Kettensäge verwendet wird, sollten die Schnitte zum Lösen der Kettensäge immer außen (hin zu den Astspitzen) erfolgen, damit die Kettensäge nicht mit den abgesägten Teilen mitgenommen wird und die Situation weiter kompliziert.

## 12. Transport

- Verwenden Sie stets die Abdeckung der Führungsschiene (21) beim Transport.
- Schalten Sie die Kettensäge vor jedem Transport ab, auch bei kürzeren Strecken. Sichern Sie die Maschine während des Transports (auch in Fahrzeugen) gegen Umkippen, um Kraftstoffverlust, Schäden oder Verletzungen zu vermeiden.
- Aktivieren Sie die Kettenbremse (vorderen Handschutz (3) nach vorne drücken).
- Tragen Sie das Gerät nur am vorderen Handgriff (12). Die Führungsschiene (2) zeigt dabei nach hinten, von Ihrem Körper abgewandt.
- Halten Sie den heißen Schalldämpfer (18) vom Körper weg. Es besteht Verbrennungsgefahr! (Abb. 23)

## 13. Reinigung und Wartung

### **WARNUNG**

#### **Verletzungsgefahr!**

Schalten Sie das Gerät vor Reinigungsarbeiten immer aus und ziehen den Zündkerzenstecker (35) ab. (siehe Kapitel 13.4 Wartung der Zündkerze (34)).

#### **Hinweis**

Nach jedem Gebrauch sollte das Gerät gründlich gereinigt werden.

Führen Sie die Reinigungs- und Wartungsarbeiten nur soweit aus, wie in dieser Bedienungsanleitung angegeben. Weiterführende Arbeiten müssen von Fachpersonal ausgeführt werden. Wartungsarbeiten müssen regelmäßig durchgeführt werden (siehe Kapitel „Wartungsintervalle“).

### 13.1 Reinigung der Motoreinheit

### **WARNUNG**

#### **Verbrennungsgefahr!**

Heiße Schalldämpfer, Zylinder oder Kühlrippen nicht berühren.

- Halten Sie Schutzvorrichtungen, Luftschlitze und das Motorengehäuse so staub- und schmutzfrei wie möglich. Blasen Sie es mit Druckluft bei niedrigem Druck aus.
- Reinigen Sie das Gerät regelmäßig mit einem feuchten Tuch und etwas Spülmittel. Achten Sie darauf, dass kein Wasser in das Geräterinnere gelangen kann.

### 13.2 Reinigung des Luftfilters (33) (Abb. 17)

Verschmutzte Luftfilter verringern die Motorleistung durch zu geringe Luftzufuhr zum Vergaser.

Regelmäßige Kontrolle ist daher unerlässlich. Der Luftfilter (33) sollte regelmäßig kontrolliert werden und bei Bedarf gereinigt werden.

Bei sehr staubiger Luft ist der Luftfilter (33) häufiger zu überprüfen.

1. Lösen Sie den Verschluss für die Luftfilterabdeckung (10) durch Drehen gegen den Uhrzeigersinn.
2. Entfernen Sie die Luftfilterabdeckung (9).
3. Entfernen Sie den Luftfilter (33).
4. Reinigen Sie den Luftfilter (33) durch Ausklopfen oder Ausblasen (mit Druckluft).

Der Zusammenbau erfolgt in umgekehrter Reihenfolge.

### **ACHTUNG**

Luftfilter (33) nie mit Benzin oder brennbaren Lösungsmitteln reinigen.

### 13.3 Reinigung des Kettenantriebes

### **WARNUNG**

#### **Verletzungsgefahr!**

Tragen Sie immer Schutzhandschuhe, wenn Sie die Sägekette (1) berühren. Verletzungsgefahr durch die scharfen Schneidezähnel

#### **Hinweis**

Reinigen Sie den Kettenantrieb nach jedem Gebrauch.

1. Stellen Sie die Kettensäge auf eine ebene, stabile Unterlage.
2. Ziehen Sie den vorderen Handschutz (3) bis zum Anschlag nach hinten, um die Kettenbremse zu lösen. (Abb. 2)
3. Drehen Sie die Kettenspannschraube (23) mit dem Schlitzschraubendreher (20) gegen den Uhrzeigersinn, um die Spannung zu reduzieren.
4. Entfernen Sie die beiden Befestigungsmuttern (16) mit dem Zündkerzenschlüssel (20).
5. Nehmen Sie die Kettenradabdeckung (17) ab.
6. Nehmen Sie die Sägekette (1) vorsichtig von der Führungsschiene (2) und dem Kettenrad (27) ab.
7. Entfernen Sie die Führungsschiene (2). Reinigen Sie diese mit einem Pinsel.
8. Reinigen Sie nun gründlich den kompletten Kettenantriebsbereich und die Kettenradabdeckung (17) mit einem Pinsel oder durch Ausblasen (mit Druckluft).

Der Zusammenbau erfolgt in umgekehrter Reihenfolge.

### 13.4 Wartung der Zündkerze (34)

(Abb. 19 / 20)

1. Demontieren Sie den Luftfilter (33) wie unter 13.2 „Reinigung des Luftfilters (33)“ beschrieben.
2. Ziehen Sie den Zündkerzenstecker (35) ab, in dem Sie ihn nach links und rechts drehen und gleichzeitig an ihm ziehen. Halten und ziehen Sie den Zündkerzenstecker (35) ausschließlich am Stecker. Ziehen Sie niemals am Kabel!
3. Lösen Sie die Zündkerze (34) mit dem beiliegenden Zündkerzenschlüssel (20).
4. Der Zusammenbau erfolgt in umgekehrter Reihenfolge.

Elektrodenabstand = 0,6 mm - 0,7 mm (Abstand zwischen den Elektroden, zwischen welchen der Zündfunke erzeugt wird). Überprüfen Sie die Zündkerze (34) erstmals nach 10 Betriebsstunden auf Verschmutzung und reinigen Sie diese gegebenenfalls mit einer Kupferdrahtbürste.

Danach die Zündkerze (34) alle 50 Betriebsstunden warten.

### 13.5 Wartung der Kettenschmierung

- Siehe Kapitel „Kettenschmierung prüfen und einstellen“.

### 13.6 Wartung der Vergasereinstellungen

- Wenn sich die Sägekette (1) im Leerlauf bewegt oder der Motor bei Gaswegnahme von alleine ausgeht, muss eine Vergasereinstellung vorgenommen werden.

#### Hinweis

Lassen Sie die Vergasereinstellungen (z. B. die Leerlaufdrehzahl) nur von qualifiziertem Fachpersonal durchführen, um Motorschäden zu vermeiden.

### 13.7 Wartung der Führungsschiene (2)

- Entfernen Sie eventuell entstandene Grate an der Schienenkante mit Hilfe einer Metallfeile.
- Reinigen Sie die Nut der Führungsschiene (2) mit Hilfe eines Pinsels oder mit Druckluft (Abb.21). Wechseln Sie die Führungsschiene (2) aus, sobald die Führungsnut (28) verschlissen ist.
- Drehen Sie die Führungsschiene (2) nach jedem Einsatz, um eine gleichmäßige Abnutzung zu gewährleisten.
- Überprüfen Sie das Zahnrad (30) an der Spitze der Führungsschiene (2) auf Leichtgängigkeit. Schmieren Sie es ggf. mit einem Lageröl. Lassen Sie etwas Lageröl in die Schmieröffnung (31) tropfen. (Abb. 21)

### 13.8 Kettenbremse prüfen

Siehe Kapitel 10.5 „Kettenbremse prüfen“

#### ⚠️ WARNUNG

#### RÜCKSCHLAGEGFAHR!

Eine nicht funktionierende Kettenbremse erhöht das Rückschlagrisiko.

Prüfen Sie die Kettenbremse regelmäßig.

Eine funktionstüchtige Kettenbremse ist für Ihre Sicherheit unerlässlich.

### 13.9 Sägekette (1) spannen und prüfen

Siehe Kapitel 9.2 „Sägekette (1) spannen und prüfen“

### 13.10 Sägekette (1) schärfen und pflegen

#### ⚠️ WARNUNG

#### Verletzungsgefahr!

Tragen Sie immer Schutzhandschuhe, wenn Sie die Sägekette (1) berühren. Verletzungsgefahr durch die scharfen Schneidezähne!

#### Hinweis

Eine optimal gepflegte und geschärfte Sägekette (1) verringert die körperliche Belastung, den Verschleiß und führt zu einem guten Schnittergebnis.

Reinigen, pflegen und schärfen Sie die Sägekette (1) regelmäßig. Kontrollieren Sie die Sägekette (1) regelmäßig auf Risse und beschädigte Nieten.

Ein Schleifbock kann an der Schleifbockhilfe für den sicheren Halt während des Schleifens befestigt werden.

Benutzen Sie nur spezielle Sägekettenrundfeilen mit einem Ø 4,8 mm (3/16") für die im Lieferumfang enthaltene Sägekette (1).

In einem Schärfsatz finden Sie detaillierte Informationen zum Schärfvorgang.

Alternativ benutzen Sie ein elektrisches Kettenschärfgerät und folgen Sie den Anweisungen des Herstellers.

Im Zweifel über die Durchführung der Arbeit ist ein Austausch der Sägekette (1) vorzunehmen.

Lassen Sie ggf. das Schärfen der Sägekette (1) von einer Fachwerkstatt durchführen.

- Benötigtes Zubehör (nicht im Lieferumfang enthalten):
  - Sägekettenrundfeile Ø 4,8 mm (3/16")
  - Flachfeile
  - Tiefenbegrenzungslehre
- Feilen Sie nur in Vorwärtsbewegung, um Material abzunehmen.
- Feilen Sie mit einem Schärfwinkel von ca. 25° bei einer Steigung von 10° zur Führungsschiene (2).

- Überprüfen Sie den Abstand der Tiefenbegrenzung mit einer Tiefenbegrenzungslehre.
- Der richtige Abstand des Tiefenbegrenzers sollte 0,6 mm (0,024") betragen.

Benutzer von Kettensägen dürfen nur Wartungs- und Pflegearbeiten durchführen, die in dieser Betriebsanleitung beschrieben sind. Darüberhinausgehende Arbeiten dürfen nur von einer Fachwerkstatt ausgeführt werden.

### 13.11 Wartungsintervalle

Für eine lange Lebensdauer sowie zur Vermeidung von Schäden und zur Sicherstellung der vollen Funktion der Sicherheitseinrichtungen, müssen die nachfolgend beschriebenen Wartungsarbeiten regelmäßig durchgeführt werden. Garantieansprüche werden nur dann anerkannt, wenn diese Arbeiten regelmäßig und ordnungsgemäß ausgeführt wurden. Bei Nichtbeachtung besteht Unfallgefahr!

Allgemein	Gesamte Baumpflegesäge	Äußerlich reinigen und auf Beschädigungen überprüfen. Bei Beschädigungen umgehend fachgerechte Reparatur veranlassen.
	Sägekette	Regelmäßig nachschärfen, rechtzeitig erneuern.
	Kettenbremse	Regelmäßig in der Fachwerkstatt überprüfen lassen
	Führungsschiene	Wenden, damit die belasteten Laufflächen gleichmäßig abnutzen. Rechtzeitig erneuern.
Vor jeder Inbetriebnahme	Sägekette	Auf Beschädigungen und Schärfe überprüfen. Kettenspannung kontrollieren.
	Führungsschiene	Auf Beschädigungen überprüfen.
	Kettenschmierung	Funktionsprüfung
	Kettenbremse	Funktionsprüfung
	Ein-/Ausschalter, Gashebel-sperre, Gashebel	Funktionsprüfung
	Kraftstoff- und Kettenöltankverschluss	Auf Dichtigkeit überprüfen.
Täglich	Luftfilter	Reinigen
	Führungsschiene	Auf Beschädigungen prüfen, Öleintrittsbohrung reinigen
	Schieneaufnahme	Reinigen, insbesondere die Ölführungsnut
	Leerlaufdrehzahl	Kontrollieren (Kette darf nicht mitlaufen)

wöchentlich	Ventilatorgehäuse	Reinigen, um einwandfreie KÜhluffführung zu gewährleisten
	Zündkerze	Überprüfen, ggf. erneuern
	Schalldämpfer	Auf Zusetzung überprüfen
	Kettenfänger	Auf Beschädigungen prüfen, ggf. erneuern
	Schrauben und Muttern	Zustand und festen Sitz prüfen
vierteljährlich	Saugkopf Kraftstoff-, Kettenöltank	Auswechseln Reinigen
Lagerung	gesamte Baumpflugesäge	Äußerlich reinigen und auf Beschädigungen überprüfen Bei Beschädigungen umgehend fachgerechte Reparatur veranlassen
	Sägekette und -schiene	Demontieren, reinigen und leicht einölen Führungsnut der Führungsschiene reinigen
	Kraftstoff-, Kettenöltank	Entleeren und reinigen
	Vergaser	Leerfahren

### 13.12 Wichtiger Hinweis im Fall einer Reparatur

Bei Rücklieferung des Gerätes zur Reparatur beachten Sie bitte, dass das Gerät aus Sicherheitsgründen öl- und benzinfrei an die Servicestation gesendet werden müssen.

### 13.13 Service-Informationen

Es ist zu beachten, dass bei diesem Produkt folgende Teile einem gebrauchsgemäßen oder natürlichen Verschleiß unterliegen bzw. folgende Teile als Verbrauchsmaterialien benötigt werden.

Verschleißteile\*: Sägekette, Führungsschiene, Kettenöl, Motoröl, Zündkerze, Luftfilter, Kraftstofffilter, Kettenölfilter

\* nicht zwingend im Lieferumfang enthalten!

### Zugelassene Schneidgarner

Sägekette

Kangxin 3/8LP-40.....7910100739

Oregon 91P040X.....3910102032

Führungsschiene

Kangxin AP10-40-509P .....7910100740

Oregon 100SDEA041 .....7910100744

## 14. Lagerung

Der Zündkerzenschlüssel / Schlitzschraubendreher (20) kann zur Aufbewahrung seitlich an der Abdeckung der Führungsschiene (21) angebracht werden.

Verwenden Sie stets die Abdeckung der Führungsschiene (21) bei der Lagerung.

Reinigen und Warten Sie das Gerät vor jeder Lagerung, siehe Kapitel „Reinigung und Wartung“.

Entleeren Sie den Öl- bzw. Kraftstofftank komplett.

### WARNUNG

Entfernen Sie das Benzin nicht in geschlossenen Räumen, in der Nähe von Feuer oder beim Rauchen. Gasdämpfe können Explosionen oder Feuer verursachen.

- Starten Sie den Motor und lassen Sie diesen so lange laufen, bis das restliche Benzin verbraucht ist.

Lagern Sie das Gerät und dessen Zubehör an einen dunklen, trockenen und frostfreiem sowie für Kinder unzugänglichem Ort. Die optimale Lagertemperatur liegt zwischen 5 und 30 °C. Lagern und benutzen Sie die Kettensäge nicht bei Temperaturen unter 0 °C!

Verstauen Sie eine Kettensäge nie länger als 30 Tage, ohne folgende Schritte zu durchlaufen.

Befolgen Sie die Reinigungs- und Wartungshinweise vor Einlagerung des Gerätes!

### 14.1 Verstauen der Kettensäge

Wenn Sie eine Kettensäge länger als 30 Tage verstauen, muss sie hierfür hergerichtet werden. Andernfalls verdunstet der im Vergaser befindliche, restliche Kraftstoff und lässt einen gummiartigen Bodensatz zurück. Dies könnte den Start erschweren und teure Reparaturarbeiten zur Folge haben.

1. Nehmen Sie die Kraftstoffankverschluss (13) langsam ab, um eventuellen Druck im Tank abzulassen. Entleeren Sie vorsichtig den Tank.
2. Starten Sie den Motor und lassen Sie ihn laufen, bis die Kettensäge anhält, um den Kraftstoff aus dem Vergaser zu entfernen.
3. Lassen Sie den Motor abkühlen (ca. 5 Minuten).
4. Entfernen Sie die Zündkerze (34).
5. Geben Sie 1 Teelöffel sauberes 2-Takt-Öl in die Verbrennungskammer. Ziehen Sie mehrere Male langsam am Startseilzug (8), um die internen Komponenten zu beschichten. Setzen Sie die Zündkerze (34) wieder ein.

Verstauen Sie die Kettensäge an einem trockenen Ort und weit entfernt von möglichen Entzündungsquellen, z.B. Ofen, Heißwasserboiler mit Gas, Gastrockner, etc. außerhalb der Reichweite von Kindern.

Bringen Sie immer die Abdeckung der Führungsschiene (21) an, sollten die Sägekette (1) und die Führungsschiene (2) nicht demontiert sein

### 14.2 Erneutes Inbetriebnehmen der Kettensäge

1. Entfernen Sie die Zündkerze (34).
2. Ziehen Sie rasch am Startseilzug (8), um überschüssiges Öl aus der Verbrennungskammer zu entfernen.
3. Reinigen Sie die Zündkerze (34) und achten Sie auf den richtigen Elektrodenabstand an der Zündkerze (34) oder setzen Sie eine neue Zündkerze (34) mit richtigem Elektrodenabstand ein.
4. Bereiten Sie die Kettensäge für den Betrieb vor.
5. Füllen Sie den Tank mit der richtigen Öl- und Kraftstoffmischung auf (1:40).

### 14.3 Kraftstofflagerung

Kraftstoffe sind nur begrenzt lagerfähig. Kraftstoff und Kraftstoffgemische altern durch Verdunstung besonders unter dem Einfluss hoher Temperaturen. Überlagerter Kraftstoff und Kraftstoffgemische können so zu Startproblemen und Motorschäden führen. Nur so viel Kraftstoff einkaufen, wie in einigen Monaten verbraucht werden soll. Bei höheren Temperaturen angemischten Kraftstoff in 6-8 Wochen verbrauchen.

**Kraftstoff nur in zugelassenen Behältern trocken, kühl und sicher lagern!**

#### WARNUNG

##### Haut- und Augenkontakt vermeiden!

Mineralölprodukte, auch Öle, entfetten die Haut. Bei wiederholtem und längerem Kontakt trocknet die Haut aus. Folgen können verschiedene Hauterkrankungen sein. Außerdem sind allergische Reaktionen bekannt.

Augenkontakt mit Öl führt zu Reizungen. Bei Augenkontakt sofort das betroffene Auge mit klarem Wasser spülen. Bei anhaltender Reizung sofort einen Arzt aufsuchen!

## 15. Entsorgung und Wiederverwertung

### Hinweise zur Verpackung



Die Verpackungsmaterialien sind recyclebar. Bitte Verpackungen umweltgerecht entsorgen.

**Möglichkeiten zur Entsorgung des ausgedienten Gerätes erfahren Sie bei Ihrer Gemeinde- oder Stadtverwaltung.**

### Kraftstoffe und Öle

- Vor der Entsorgung des Geräts müssen der Kraftstofftank und der Motorölbehälter geleert werden!
- Kraftstoff und Motoröl gehören nicht in den Hausmüll oder den Abfluss, sondern sind einer getrennten Erfassung bzw. Entsorgung zuzuführen!
- Leere Öl- und Kraftstoffbehälter müssen umweltgerecht entsorgt werden.

## 16. Störungsabhilfe

Störung	Mögliche Ursache	Abhilfe
Der Motor startet nicht, oder er startet, aber läuft nicht weiter.	Falscher Startverlauf.	Beachten Sie die Anweisungen in dieser Anleitung.
	Falsch eingestellte Vergasermischung.	Lassen Sie den Vergaser vom autorisierten Kundendienst einstellen.
	Verrußte Zündkerze.	Zündkerze reinigen/einstellen oder ersetzen.
	Verstopfter Kraftstofffilter.	Ersetzen Sie den Kraftstofffilter.
Der Motor startet, aber er läuft nicht mit voller Leistung.	Verschmutzter Luftfilter	Filter entfernen, reinigen und erneut einsetzen.
	Falsch eingestellte Vergasermischung.	Lassen Sie den Vergaser vom autorisierten Kundendienst einstellen.
Motor stottert	Falsch eingestellte Vergasermischung.	Lassen Sie den Vergaser vom autorisierten Kundendienst einstellen.
Keine Leistung bei Belastung	Falsch eingestellte Zündkerze.	Zündkerze reinigen/einstellen oder ersetzen.
Motor läuft sprunghaft	Falsch eingestellte Vergasermischung.	Lassen Sie den Vergaser vom autorisierten Kundendienst einstellen.
Übermäßig viel Rauch.	Falsche Kraftstoffmischung.	Verwenden Sie die richtige Kraftstoffmischung (Verhältnis 1:40).
Keine Leistung bei Belastung	Kette stumpf oder Kette locker	Kette schärfen oder neue Kette einlegen. Kette spannen.
Motor stirbt ab	Benzintank leer oder Kraftstofffilter im Tank falsch positioniert	Benzintank füllen. Benzintank komplett auffüllen oder Kraftstofffilter im Benzintank anders positionieren.
Ungenügend Ketten-schmierung (Schwert und Kette werden heiß)	Kettenöltank leer	Kettenöltank auffüllen.
	Öldurchlässe verstopft	Ölungsloch im Schwert reinigen. Rille des Schwertes reinigen.



## 17. Garantieurkunde

### Sehr geehrte Kundin, sehr geehrter Kunde,

unsere Produkte unterliegen einer strengen Qualitätskontrolle. Sollte dieses Gerät dennoch einmal nicht einwandfrei funktionieren, bedauern wir dies sehr und bitten Sie, sich an unseren Servicedienst unter der auf dieser Garantiekarte angegebenen Adresse zu wenden. Gern stehen wir Ihnen auch telefonisch über die unten angegebene Servicenummer zur Verfügung. Für die Geltendmachung von Garantieansprüchen gilt Folgendes:

- Diese Garantiebedingungen regeln zusätzliche Garantieleistungen. Ihre gesetzlichen Gewährleistungsansprüche werden von dieser Garantie nicht berührt. Unsere Garantieleistung ist für Sie kostenlos.
- Die Garantieleistung erstreckt sich ausschließlich auf Mängel, die auf Material- oder Herstellungsfehler zurückzuführen sind und ist auf die Behebung dieser Mängel bzw. den Austausch des Gerätes beschränkt. Bitte beachten Sie, dass unsere Geräte bestimmungsgemäß nicht für den gewerblichen, handwerklichen oder industriellen Einsatz konstruiert wurden. Ein Garantievertrag kommt daher nicht zustande, wenn das Gerät in Gewerbe-, Handwerks- oder Industriebetrieben sowie bei gleichzusetzenden Tätigkeiten eingesetzt wird. Von unserer Garantie sind ferner Ersatzleistungen für Transportschäden, Schäden durch Nichtbeachtung der Montageanleitung oder aufgrund nicht fachgerechter Installation, Nichtbeachtung der Gebrauchsanleitung (wie durch z. B. Anschluss an eine falsche Netzspannung oder Stromart), missbräuchliche oder unsachgemäße Anwendungen (wie z. B. Überlastung des Gerätes oder Verwendung von nicht zugelassenen Einsatzwerkzeugen oder Zubehör), Nichtbeachtung der Wartungs- und Sicherheitsbestimmungen, Eindringen von Fremdkörpern in das Gerät (wie z. B. Sand, Steine oder Staub), Gewalteinwirkung oder Fremdeinwirkungen (wie z. B. Schäden durch Herunterfallen) sowie durch verwendungsgemäßen, üblichen Verschleiß ausgeschlossen.

Der Garantieanspruch erlischt, wenn an dem Gerät bereits Eingriffe vorgenommen wurden.

- Die Garantiezeit beträgt 3 Jahre und beginnt mit dem Kaufdatum des Gerätes. Garantieansprüche sind vor Ablauf der Garantiezeit innerhalb von zwei Wochen, nachdem Sie den Defekt erkannt haben, geltend zu machen. Die Geltendmachung von Garantieansprüchen nach Ablauf der Garantiezeit ist ausgeschlossen. Die Reparatur oder der Austausch des Gerätes führt weder zu einer Verlängerung der Garantiezeit noch wird eine neue Garantiezeit durch diese Leistung für das Gerät oder für etwaige eingebaute Ersatzteile in Gang gesetzt. Dies gilt auch bei Einsatz eines Vor-Ort-Services.
- Für die Geltendmachung Ihres Garantieanspruches wenden Sie sich bitte an die unten angegebene Service-Adresse. Sofern die Reklamation innerhalb der Garantiezeit liegt, werden wir Ihnen einen Retourenschein zur Verfügung stellen, mit dem Sie Ihr defektes Gerät kostenfrei an uns zurücksenden können. Beschreiben Sie uns bitte den Reklamationsgrund möglichst genau. Ist der Defekt des Gerätes von unserer Garantieleistung erfasst, erhalten Sie umgehend ein repariertes oder neues Gerät zurück.

Selbstverständlich beheben wir gegen Erstattung der Kosten auch gerne Defekte am Gerät, die vom Garantiumfang nicht oder nicht mehr erfasst sind. Dazu senden Sie das Gerät bitte an unsere Serviceadresse.

#### **Service-Hotline (DE):**

00800 4003 4003  
(0,00 EUR/Min.)

#### **Service-Hotline (AT):**

00800 4003 4003  
(0,00 EUR/Min.)

#### **Service-Hotline (CH):**

00800 4003 4003  
(0,00 EUR/Min.)

#### **Service-E-Mail (DE):**

service.DE@schepbach.com

#### **Service-E-Mail (AT):**

service.AT@schepbach.com

#### **Service-E-Mail (CH):**

service.CH@schepbach.com

#### **Service-Adresse (DE):**

Schepbach GmbH  
Günzburger Str. 69  
DE - 89335 Ichenhausen

#### **Service-Adresse (AT):**

Gausch Hubert  
Bairisch Kölldorf 267  
AT - 8344 Bad Gleichenberg

#### **Service-Adresse (CH):**

Klaus-Häberling AG  
Industriestraße 6  
CH - 8610 Uster














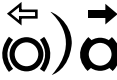

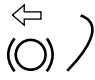
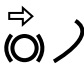


Auf [www.lidl-service.com](http://www.lidl-service.com) können Sie diese und viele weitere Handbücher, Produktvideos und Installationssoftware herunterladen.

Mit dem QR-Code gelangen Sie direkt auf die Lidl-Service-Seite ([www.lidl-service.com](http://www.lidl-service.com)) und können mittels der Eingabe der Artikelnummer (IAN) 403506\_2204 Ihre Bedienungsanleitung öffnen.

---

1.	Explication des symboles sur l'appareil.....	50
2.	Consigne utilisateur.....	51
3.	Introduction.....	52
4.	Description de l'appareil .....	52
5.	Fournitures .....	53
6.	Utilisation conforme .....	53
7.	Consignes de sécurité.....	53
8.	Caractéristiques techniques.....	59
9.	Avant la mise en service .....	59
10.	Mise en service .....	62
11.	Utilisation .....	64
12.	Transport.....	66
13.	Nettoyage et maintenance.....	67
14.	Stockage.....	70
15.	Élimination et recyclage.....	71
16.	Dépannage .....	72
17.	Certificat de garantie .....	73
18.	Vue éclatée.....	398
19.	Déclaration de conformité .....	400

## 1. Explication des symboles sur l'appareil

	Vous devez lire, comprendre et respecter l'ensemble des avertissements.		Lisez entièrement le mode d'emploi avant d'utiliser l'appareil.
	Avertissement ! Risque de mouvement de recul (Kickback). Prémunissez-vous d'un mouvement de recul de la tronçonneuse et évitez tout contact avec la tête du guide.		L'appareil ne doit pas être utilisé en cas de pluie ou dans des conditions humides.
	Porter des lunettes de protection. Porter une protection auditive.		Portez un casque de protection.
	Lorsque vous utilisez l'appareil, portez toujours des gants de sécurité antivibrations.		Lorsque vous utilisez l'appareil, portez toujours des chaussures de sécurité antidérapantes résistant aux coupures.
	Il est important de porter des vêtements de protection pour les pieds, les jambes, les mains et les avant-bras.		Tenez toujours la tronçonneuse des deux mains. Ne manipulez pas la tronçonneuse à une main.
	Attention ! Utilisation de la tronçonneuse associée à une technique d'escalade avec câble. Avant de débiter le travail, familiarisez-vous avec toutes les consignes de travail !		Interdiction d'allumer une flamme nue sur le lieu de travail !
	Orifice de remplissage de carburant. Mélange huile-essence 1:40		Sens de rotation
	Bouchon du réservoir d'huile de chaîne		Réglage du frein de chaîne : Flèche blanche : Frein de chaîne inactif Flèche noire : Frein de chaîne actif
	Levier de démarrage à froid (starter manuel)		Desserrer le frein de chaîne
	Kettenbremse aktivieren		Sens de montage de la chaîne de la tronçonneuse
	Réglage du graissage de chaîne		Niveau de puissance acoustique garanti de l'appareil.



Attention ! Pièces brûlantes.



push  
primer  
6 times

Appuyez 6x sur la pompe à carburant  
(Primer).

### DANGER

Terme de signalisation servant à désigner une situation de danger immédiate qui entraîne des blessures graves voire mortelles si elle n'est pas évitée.

### AVERTISSEMENT

Terme de signalisation servant à désigner une situation de danger possible qui peut entraîner des blessures graves voire mortelles si elle n'est pas évitée.

### PRUDENCE

Terme de signalisation servant à désigner une situation de danger possible qui peut entraîner des blessures légères ou modérées si elle n'est pas évitée.

### REMARQUE

Terme de signalisation servant à désigner une situation de danger possible qui peut endommager le produit ou les biens environnants.

## 2. Consigne utilisateur

### AVERTISSEMENT :

**Lisez attentivement ce mode d'emploi avant de procéder à la mise en service initiale et respectez impérativement les consignes de sécurité ! Cette tronçonneuse d'élagage doit uniquement être utilisée par des « opérateurs de tronçonneuse d'élagage ayant reçu une formation complémentaire aux travaux en cages de levage et d'échelle ou en technique d'accès sur corde » !**

**Veillez conserver précieusement ce mode d'emploi !**

### Remarque :

**Notez que certaines prescriptions nationales peuvent limiter l'utilisation de la machine.**



Cette tronçonneuse d'élagage a été spécialement conçue pour l'entretien et la chirurgie arboricoles. Cette tronçonneuse d'élagage a été conçue pour effectuer des travaux d'entretien et de chirurgie arboricoles. Tous les travaux réalisés avec cette tronçonneuse d'élagage doivent uniquement être effectués par des opérateurs de tronçonneuse d'élagage qualifiés !

### 3. Introduction

#### FABRICANT :

**Schepach GmbH**

Günzburger Straße 69

D-89335 Ichenhausen

#### CHER CLIENT,

Nous espérons que votre nouvelle machine vous apportera satisfaction et de bons résultats.

#### REMARQUE :

Conformément à la loi en vigueur sur la responsabilité du fait des produits, le fabricant de cet appareil n'est pas responsable des dommages survenus ou générés sur l'appareil en cas de :

- Manipulation incorrecte,
- Inobservation de la notice d'utilisation
- Réparations effectuées par des tiers, des spécialistes non autorisés
- Montage et remplacement des pièces de rechange non originales
- utilisation non conforme.

#### Nous vous recommandons :

Lisez l'ensemble du texte de la notice d'utilisation avant le montage et la mise en service.

La présente notice d'utilisation a pour objectif de vous familiariser avec votre appareil et d'en exploiter les possibilités d'emploi conforme.

La notice d'utilisation contient des remarques importantes sur la manière de travailler en toute sécurité, réglementairement et économiquement avec l'appareil et sur la façon d'éviter les dangers, d'économiser les coûts de réparation, de réduire les périodes d'arrêt et d'augmenter la fiabilité et la durée de vie de l'appareil.

Outre les dispositions de sécurité figurant dans cette notice d'utilisation, vous devez absolument observer les prescriptions concernant le fonctionnement de l'appareil en vigueur dans votre pays.

Conservez la notice d'utilisation dans une pochette en plastique à l'abri de la poussière et de l'humidité près de l'appareil. Chaque opérateur doit l'avoir lue avant le début des travaux et doit la respecter minutieusement.

Seules des personnes formées à l'utilisation de l'appareil et informées des dangers associés sont autorisées à travailler avec l'appareil. Respecter la limite d'âge minimum requis.

Outre les consignes de sécurité reprises dans la présente notice d'utilisation et les prescriptions particulières en vigueur dans votre pays, respecter également les règles techniques générales concernant l'utilisation des machines similaires.

Nous déclinons toute responsabilité concernant les accidents ou dommages qui surviendraient en raison d'un non-respect de cette notice et des consignes de sécurité.

### 4. Description de l'appareil

1. Chaîne de scie
2. Rail de guidage
3. Protection des mains avant
4. Pompe à carburant « Primer »
5. Gâchette d'accélérateur
6. Poignée arrière
7. Blocage de la gâchette d'accélérateur
8. Câble de démarrage
9. Couvercle du filtre à air
10. Fermeture du couvercle du filtre à air
11. Bouchon du réservoir d'huile de chaîne
12. Poignée avant
13. Bouchon du réservoir de carburant
14. Levier de démarrage à froid (starter manuel)
15. Interrupteur On/Off
16. Écrous de fixation
17. Protection de pignon
18. Silencieux
19. Dispositif de suspension
20. Clé à bougie d'allumage/tournevis plat
21. Couvercle du rail de guidage
22. Réservoir de mélange
23. Vis de tension de chaîne
24. Butée de griffe
25. Attrape-chaîne
26. Tige de tension de chaîne
27. Pignon
28. Rainure de guidage
29. Boulon de fixation
30. Pignon
31. Ouverture de lubrification
32. Vis de régulation d'huile
33. Filtre à air
34. Bougie d'allumage
35. Connecteur de bougie d'allumage
36. Tête d'aspiration

## 5. Fournitures

- Tronçonneuse d'élagage
- Chaîne de scie
- Rail de guidage
- Couvercle du rail de guidage
- Clé à bougie d'allumage/tournevis plat
- Réservoir de mélange

## 6. Utilisation conforme

Cet appareil est une tronçonneuse d'élagage particulièrement légère et maniable, dotée d'une poignée sur le haut. Cette tronçonneuse d'élagage a été spécialement conçue pour la chirurgie et l'entretien arboricoles. L'utilisation de ces tronçonneuses d'élagage doit par conséquent être réservée aux « opérateurs de tronçonneuse d'élagage ayant reçu une formation complémentaire aux travaux en cages de levage et d'échelle ou en technique d'accès sur corde ».

Utilisation occasionnelle pour le bois fin, l'entretien des arbres fruitiers, l'ébranchage, le tronçonnage.

La préparation de bois de chauffage ne peut avoir lieu que si le diamètre du bois n'excède pas la longueur de coupe (20 cm).

Pour ces travaux, nous recommandons de recourir à une tronçonneuse conventionnelle avec un grand écart de poignée ou une grande longueur de coupe.

L'appareil ne doit pas être utilisé par les catégories de personnes suivantes :

Les personnes non familiarisées avec la notice d'utilisation, les enfants de moins de 16 ans, ainsi que les personnes ayant consommé de l'alcool, des drogues ou des médicaments, les personnes fatiguées ou malades.

Conformément aux consignes d'utilisation conforme, l'appareil a pour unique vocation de scier le bois. Le fabricant décline toute responsabilité quant aux dommages dus à une utilisation non conforme ou à une fausse manipulation.

L'appareil doit être utilisé selon les dispositions correspondantes. Toute autre utilisation est considérée comme étant non conforme. Le fabricant décline toute responsabilité quant aux dommages ou blessures qui en résulteraient. Dans ce cas, l'utilisateur/opérateur est le seul responsable.

Une utilisation conforme consiste à respecter les consignes de sécurité, ainsi que les instructions de montage et les consignes d'utilisation du mode d'emploi.

Les personnes utilisant l'appareil et en assurant la maintenance doivent être familiarisés avec celui-ci et connaître les dangers possibles qu'il implique.

En outre, les prescriptions de prévention des accidents doivent être respectées de la manière la plus scrupuleuse possible.

Toutes les autres règles de médecine du travail et de sécurité doivent être respectées.

Toute modification de l'appareil annule toute garantie du fabricant pour les dommages en résultant.

Veuillez tenir compte du fait que nos appareils n'ont pas été conçus pour être utilisés dans le domaine professionnel, industriel ou artisanal. Nous ne n'accordons aucune garantie lorsque l'appareil est utilisé à des fins professionnelles, artisanales ou industrielles ou lors de toute utilisation de la même nature.

### DANGER :

Conformément à la loi en vigueur sur la responsabilité du fait des produits, le fabricant de cet appareil n'est pas responsable des dommages survenus ou générés sur l'appareil en cas de :

- Montage et remplacement des pièces de rechange non originales
- Retrait ou modification des composants de sécurité.

### 6.1 Utilisation non conforme

- Cet appareil ne convient pas aux travaux d'abattage.
- N'utilisez pas le rail de guidage comme levier, pour déplacer des troncs d'arbre ou des objets similaires.
- Le tronçonnage de bois dont le diamètre dépasse 20 cm est interdit.

## 7. Consignes de sécurité

### 7.1 Consignes générales

#### AVERTISSEMENT

Soyez toujours attentif, faites attention à ce que vous faites, et procédez avec prudence lors du travail avec l'appareil. N'utilisez pas l'appareil si vous êtes malade, fatigué ou si vous avez consommé des drogues, de l'alcool ou des médicaments. Tout moment d'inattention lors de l'utilisation de l'appareil peut conduire à des blessures graves.

Évitez toute mauvaise utilisation, utilisez la machine uniquement de manière conforme.

La notice d'utilisation contient des consignes importantes relatives à l'utilisation sûre et conforme de la tronçonneuse ainsi que des consignes pour éviter les dangers.

En cas de blocage de la chaîne de scie sur l'objet de découpe, arrêtez immédiatement la tronçonneuse. Attendez que la chaîne de scie se soit immobilisée. Retirez le connecteur de bougie d'allumage et enfillez des gants anti-coupure pour débloquer la tronçonneuse. Si le rail de guidage (lame de pliage) doit être retiré, suivez les consignes du chapitre « Montage ». Après avoir débloqué et remonté la tronçonneuse, effectuez une marche d'essai.

Si vous constatez des vibrations ou des bruits mécaniques, arrêtez les travaux et consultez un centre de service agréé. Si ce danger survient souvent, nous vous recommandons de suivre une nouvelle formation.

- Avant de procéder à la mise en service initiale, veuillez lire le mode d'emploi et respecter en particulier les consignes de sécurité.
- Les panneaux d'avertissement et d'information apposés sur l'appareil fournissent des indications importantes permettant une utilisation sans danger de la machine.
- Outre les remarques figurant dans le mode d'emploi, les prescriptions de sécurité et de prévention des accidents du législateur doivent être respectées.
- Tenez les films d'emballage hors de portée des enfants, car il existe un risque d'étouffement !
- Les opérateurs ne disposant pas des informations nécessaires peuvent compromettre leur propre sécurité, ainsi que celle de tierces personnes par une utilisation non conforme. L'opérateur est responsable vis-à-vis des tiers.
- Avant de commencer les travaux, contrôlez le fonctionnement de la gâchette d'accélérateur. Elle doit automatiquement revenir en position de marche à vide lorsque vous la relâchez.
- Ne travaillez pas plus de 10 minutes sur une pièce. Nous recommandons d'effectuer une pause de 10 - 20 minutes entre chaque opération.
- Ne prêtez l'appareil qu'aux utilisateurs expérimentés. Le mode d'emploi doit leur être transmis.
- Certaines tâches de découpe nécessitent une formation particulière ou des aptitudes spéciales. Si vous avez des doutes, consultez un spécialiste.
- Les utilisateurs novices doivent être instruits afin de se familiariser avec les propriétés de l'appareil. Pour votre sécurité, suivez une formation d'État spécialisée dans les tronçonneuses.

- Lorsqu'il n'est pas utilisé, l'appareil doit être déposé de sorte qu'il ne mette personne en danger. Sécurisez-le contre tout accès non autorisé.
- L'utilisateur de l'appareil est responsable de tous les accidents et dangers qui concernent les autres personnes et leur propriété.
- Les enfants, les adolescents et les personnes présentant des capacités physiques, sensorielles ou mentales réduites ne doivent pas utiliser la tronçonneuse. Il existe une exception pour les adolescents de plus de 16 ans dans le cadre d'une formation et sous la surveillance d'un spécialiste.
- Le système d'allumage de cet appareil génère un faible champ électromagnétique. Si vous portez un stimulateur cardiaque ou un implant de ce type, consultez votre médecin avant d'utiliser l'appareil, afin d'éviter tout risque pour votre santé.
- Notez que la maintenance incorrecte, l'utilisation de pièces de rechange non conformes et le retrait ou la modification des dispositifs de sécurité peuvent entraîner des dommages sur l'appareil et des blessures graves de la personne exécutant les travaux.

## 7.2 Équipement de protection individuelle (EPI)

### DANGER :

Portez toujours des équipements de protection individuelle (EPI), tels que des protections pour les yeux (visière ou lunettes), la tête, les mains, les jambes et les pieds, adaptés à la pratique de l'escalade dans les arbres !

- Portez un casque de protection avec protection du visage ou des lunettes de protection et une protection auditive.
- Portez des vêtements de travail près du corps avec insert anticoupures.
- Portez des chaussures de sécurité antidérapantes.
- Portez des gants de protection.
- Évitez les vêtements amples qui peuvent être happés.
- Ne portez pas de foulard, de cravate, ni de bijoux !
- Si vos cheveux sont longs, portez un filet !
- Pour tous les travaux en forêt, portez un casque de protection. Il vous protégera des chutes de branches. Vérifiez régulièrement que votre casque de protection n'est pas endommagé. Vous devez le changer au plus tard au bout de 5 ans. Utilisez uniquement des casques de protection certifiés.
- La protection du visage ou les lunettes de protection protègent des copeaux et éclats de bois. Pour éviter toute blessure aux yeux, portez toujours une protection du visage ou des lunettes de protection lorsque vous utilisez l'appareil.



- Porter toujours une protection auditive. Le bruit généré par l'appareil peut causer des dommages auditifs.
- Portez des gants de protection solides en matériau résistant, comme du cuir.
- Lors de la découpe de bois sec, portez un masque de protection contre les poussières. De la sciure peut être générée au cours du processus.
- Si l'on travaille dans l'arbre, l'utilisateur peut tomber. L'utilisateur peut être gravement blessé ou tué. Porter un équipement de protection contre les chutes.

### 7.3 Stockage et transport

- Arrêtez la tronçonneuse avant chaque transport, même sur de courts trajets. Actionnez le frein de chaîne et mettez la protection de chaîne.
- Utilisez la protection de chaîne lors du transport et du stockage.
- Pendant le transport (même dans des véhicules), sécurisez la machine contre le renversement, afin d'éviter les pertes de carburant, les dommages et les blessures.
- Ne portez l'appareil que par la poignée avant. Le rail de guidage est alors orienté vers l'arrière, à l'opposé de votre corps.
- Tenez-vous à l'écart du silencieux chaud. Il existe un risque de brûlures !
- Nettoyez et entretenez la tronçonneuse avant le stockage.
- Stockez l'appareil dans un lieu sûr et sec. Sécurisez-le contre tout accès non autorisé.

### 7.4 Sécurité autour de la zone de travail

- Les dispositions nationales et/ou municipales peuvent fixer des limites temporelles d'utilisation des appareils à moteur bruyants. Renseignez-vous à ce sujet auprès de votre municipalité.
- L'appareil ne doit pas être utilisé à l'intérieur ou dans des espaces mal ventilés. Il existe un risque d'asphyxie par les gaz d'échappement/vapeurs d'huile de lubrification toxiques.
- Effectuez les travaux uniquement à la lumière du jour.
- Ne travaillez pas si les conditions météorologiques sont défavorables, p. ex. en cas de pluie ou de vent. Ces conditions augmentent le risque d'accident.
- Faites en sorte que la zone de travail soit propre et bien rangée.
- Tenez les enfants, les autres personnes et les animaux à l'écart avant et pendant les travaux. En cas de distraction, vous pouvez perdre le contrôle de l'appareil.
- Avant de commencer les travaux, assurez-vous qu'aucune personne, aucun animal et aucun objet ne se trouve dans la zone de danger.

- Ne travaillez pas à proximité de grillages ou dans des zones avec des câbles détachés.
- Gardez un agent extincteur à proximité lorsque vous travaillez dans un environnement facilement inflammable, p. ex. si l'herbe est sèche. Il existe un risque d'incendie !

### 7.5 Remplissez de carburant

- L'essence est très facilement inflammable. Lorsque vous faites le plein, restez à distance de toute flamme nue et ne fumez pas à proximité. Il existe un risque d'incendie !
- Veillez à ne pas renverser d'essence. L'essence et l'huile de chaîne ne doivent pas pénétrer dans la terre. Utilisez un support adapté.
- Faites le plein uniquement dans des zones bien ventilées. Les vapeurs d'essence peuvent facilement prendre feu ou exploser.
- Arrêtez le moteur et laissez refroidir l'appareil avant de faire le plein. Si vous avez renversé de l'essence, nettoyez immédiatement les zones concernées. Évitez tout contact du carburant avec vos vêtements, sinon changez-vous immédiatement.
- Évitez tout contact cutané ou oculaire avec l'essence ou les lubrifiants (huile).
- Ne respirez pas les vapeurs d'essence/vapeurs d'huile de lubrification.
- Surveillez les éventuelles fuites. Si de l'essence s'écoule, ne démarrez pas le moteur. Il existe un risque de brûlure.
- Ouvrez le bouchon de réservoir prudemment afin que la surpression puisse s'échapper lentement et que l'essence ne soit pas projetée.

### 7.6 Avant la mise en service

#### **AVERTISSEMENT**

Effectuez toujours les contrôles avant la mise en service et lorsque le moteur est coupé.

Avant toute utilisation et après une chute, vérifiez que l'appareil est en parfait état technique.

Vérifiez que toutes les pièces mobiles fonctionnent parfaitement. De nombreux accidents sont dus à des outils mal entretenus. Faites réparer les pièces endommagées par le personnel spécialisé qualifié.

Utilisez la tronçonneuse et les accessoires uniquement conformément à ces instructions. Tenir compte des conditions de travail et de l'activité à réaliser. Toute utilisation des outils à moteurs pour des buts autres que ceux prévus peut entraîner des situations de danger.

- Contrôlez régulièrement le fonctionnement du frein de chaîne (protection des mains avant, voir fig. 2).
- Vérifiez que le rail de guidage est correctement monté.
- Vérifiez que la chaîne de scie est correctement tendue. Respectez les indications relatives à la lubrification, à la tension de la chaîne et au remplacement des accessoires. Une chaîne mal tendue ou mal lubrifiée peut se rompre ou augmenter le risque de mouvement de recul.
- Maintenir les outils de coupe aiguisés et propres. Effectuez régulièrement des affûtages et remplacez les pièces usées à temps. Des outils de coupe bien entretenus, aux arêtes de coupe aiguisées, se coincent moins et sont plus faciles à guider.
- Vérifiez que la gâchette d'accélérateur et le blocage de la gâchette d'accélérateur peuvent se mouvoir facilement. La gâchette d'accélérateur doit revenir dans sa position initiale.
- Vérifiez qu'il y a suffisamment de carburant et d'huile de lubrification de chaîne dans le réservoir.
- Vérifiez que les poignées sont propres, sèches et exemptes d'huile et de saleté.
- Ne travaillez jamais seul. En cas d'urgence, quelqu'un doit se trouver à proximité.
- N'utilisez la tronçonneuse que si vous vous trouvez sur un sol fixe, solide et plan. Éviter toute position du corps anormale. Les sols glissants et les surfaces instables (sur une échelle p. ex.) peuvent causer une perte d'équilibre ou une perte de contrôle de la tronçonneuse. Veiller à adopter une position stable et à toujours maintenir son équilibre. Ainsi, il est possible de mieux contrôler la tronçonneuse en cas de situation inattendue.
- Ne travaillez pas sur un arbre avec la tronçonneuse. Il existe un risque de blessures en cas d'utilisation sur un arbre.
- N'effectuez jamais de coupe au-dessus de votre hauteur d'épaules.
- Tenez toujours la tronçonneuse en plaçant votre main droite sur la poignée arrière et votre main gauche sur la poignée avant. Le maintien de la tronçonneuse en position inverse augmente le risque de blessures et est proscrit.
- Lorsque la tronçonneuse est en fonctionnement, gardez tous vos membres à l'écart de la chaîne de scie. Avant le démarrage de la tronçonneuse, assurez-vous que rien ne touche la chaîne de scie. Lors des travaux avec une tronçonneuse, un moment d'inattention suffit à ce que des vêtements ou parties du corps soient happés par la chaîne de scie.
- Arrêtez immédiatement la tronçonneuse lorsque vous détectez des modifications sensibles de comportement de l'appareil.

- Si la tronçonneuse rencontre des pierres, des clous ou d'autres objets durs, arrêtez immédiatement le moteur et vérifiez la chaîne de scie ainsi que le rail de guidage pour détecter d'éventuels dommages.
- Ne faites pas tomber la tronçonneuse, ne la cognez pas contre des obstacles et n'utilisez jamais le rail de guidage comme levier.
- Utilisez uniquement la tronçonneuse pour découper du bois.
- Si vous découpez une branche sous tension, attendez-vous à un mouvement de recul. Lorsque la tension des fibres de bois est relâchée, la branche tendue peut blesser l'opérateur et/ou lui faire perdre le contrôle de la tronçonneuse.
- Soyez particulièrement prudent lorsque vous découpez des broussailles et de jeunes arbres. Les matériaux fins peuvent se coincer dans la chaîne de scie, être projetés contre vous ou vous faire perdre l'équilibre.

## 7.7 Vibrations

### AVERTISSEMENT

Évitez les risques liés aux vibrations, p. ex. le risque d'un syndrome de Raynaud (trouble de la circulation sanguine) en effectuant souvent des pauses pendant lesquelles vous frottez les surfaces de vos mains l'une contre l'autre.

- Portez toujours des gants de protection et soyez attentifs à toute augmentation de la chaleur de vos mains.
- Veillez à ce que la chaîne soit toujours bien aiguisée.
- Effectuez régulièrement des pauses.

## 7.8 Mesures de précaution contre les mouvements de recul

### AVERTISSEMENT

Soyez attentifs à tout mouvement de recul de l'appareil pendant les travaux. Il existe un risque de blessures. La prudence et une bonne technique de coupe vous permettront d'éviter les mouvements de recul.

- Dans certains cas, un contact avec la pointe du guide-chaîne peut entraîner un mouvement inattendu vers l'arrière, projetant le rail de guidage vers le haut et en direction de l'opérateur.
- Un recul peut se produire lorsque la pointe du rail de guidage rencontre un objet ou que le bois se courbe et que la tronçonneuse se coince dans la fente.

- Le coincement de la chaîne de scie au niveau du bord supérieur du rail de guidage peut rapidement repousser la tronçonneuse vers l'opérateur de manière incontrôlée.
- Le coincement de la chaîne de scie au niveau du bord inférieur du rail de guidage peut rapidement éloigner la tronçonneuse de l'opérateur de manière incontrôlée.
- Soyez extrêmement prudent lorsque vous appliquez la chaîne de la tronçonneuse sur une entaille de coupe déjà commencée pour continuer la coupe.
- Ne coupez pas de branches ou de morceaux de bois qui pourraient changer de position pendant le processus de coupe ou dont la coupe se referme pendant le processus de coupe.
- Chacune de ces réactions peut vous faire perdre le contrôle de la tronçonneuse et entraîner des blessures graves. Ne vous fiez pas exclusivement aux dispositifs de sécurité montés dans la tronçonneuse. En tant qu'utilisateur d'une tronçonneuse, vous devez appliquer différentes mesures vous permettant de travailler sans accident et sans vous blesser.

Un mouvement de recul est le résultat d'une utilisation incorrecte ou erronée. Il peut être empêché par des mesures de prévention adaptées comme décrit ci-après.

- Maintenez fermement la tronçonneuse des deux mains en entourant ses poignées avec vos pouces et vos doigts. Placez votre corps et vos bras de manière à pouvoir résister à la force des mouvements de recul. S'il prend des mesures adaptées, l'opérateur peut maîtriser la force de recul. Ne lâchez jamais la tronçonneuse.
- Évitez toute posture anormale et n'utilisez pas la tronçonneuse au-dessus de la hauteur des épaules. Vous éviterez ainsi tout contact inopiné avec la pointe du guide et aurez un meilleur contrôle sur la tronçonneuse en cas d'imprévu.
- Utilisez uniquement des guides de rechange et chaînes de tronçonneuse recommandés par le fabricant. Les guides et chaînes de tronçonneuse de rechange incorrects peuvent faire rompre la chaîne de scie et/ou provoquer un mouvement de recul.
- Respectez les instructions du fabricant concernant l'affûtage et la maintenance de la chaîne de scie. Des délimiteurs de profondeur trop bas augmentent le risque de mouvement de recul.
- Ne sciez pas avec la pointe du guide. Cela pourrait provoquer un mouvement de recul. (Fig.7)

- Assurez-vous qu'aucun clou ou pièce métallique ne se trouve dans la zone de coupe. Soyez particulièrement attentif aux clous et aux pièces de fer autour de la zone de coupe. Soyez également prudents lorsque vous coupez des bois durs dans lesquels la chaîne peut se bloquer. Les risques de mouvement de recul sont accrus.
- Commencez la coupe en utilisant la force maximale et utilisez toujours la tronçonneuse à vitesse maximale pendant la coupe.
- Assurez-vous qu'aucun objet ne se trouve au sol, car vous risqueriez de trébucher.

## 7.9 Comportement et technique à adopter pour le travail

- Travaillez uniquement lorsque les conditions de visibilité et de luminosité sont bonnes. Faites particulièrement attention si le support est glissant, humide, verglacé et enneigé (risque de glissade). Le risque de glissade est d'autant plus important sur du bois fraîchement coupé (écorce).
- Ne travaillez jamais sur un sol instable. Attention aux obstacles dans la zone de travail : risque de trébuchement. Vous devez vérifier en permanence la stabilité du système.
- Ne sciez jamais au-dessus de la hauteur d'épaules.
- Ne sciez jamais debout sur une échelle.
- Il est interdit de monter dans l'arbre et de réaliser une intervention sans système de retenue adapté pour la personne et la tronçonneuse. Nous recommandons de toujours intervenir à partir d'une plate-forme de travail.
- Ne vous penchez pas trop.
- Maniez la tronçonneuse en veillant à ce qu'aucune partie du corps ne se trouve dans la plage de pivotement prolongée de la chaîne de scie.
- Vous ne devez utiliser la tronçonneuse que pour couper du bois.
- Ne touchez pas la terre avec la chaîne de tronçonneuse en cours de fonctionnement.
- Éliminez de la zone de découpe les corps étrangers du type sable, pierres, clous, etc. Les corps étrangers endommagent le dispositif de sciage et peuvent provoquer un mouvement de recul dangereux (Kickback) ou être projetés.
- Lors du sciage du bois de découpe, veillez à disposer d'un bon appui (si possible, un chevalet de sciage). Ne maintenez pas le bois avec le pied ou ne le faites pas tenir par une autre personne.
- Empêchez les rondins de tourner.

- Ne travaillez jamais sans butée de griffe, la tronçonneuse pourrait projeter l'opérateur vers l'avant. Utilisez la butée de griffe pour tronçonner les troncs d'arbres ou les grosses branches. L'utilisation de la butée de griffe augmente la sécurité des travaux et réduit la charge personnelle et les vibrations lors des travaux.
- Pour les entailles d'abattage et de débitage, positionnez la barre dentée (griffe de butée) contre le bois à couper. Il est également recommandé d'utiliser la barre dentée pour scier les branches épaisses.
- Avant toute entaille de débitage, placez solidement la barre dentée avant de commencer à scier le bois avec la chaîne de tronçonneuse qui tourne. La scie est remontée au niveau de la poignée arrière et guidée avec la poignée arceau. La barre dentée sert de centre de rotation. Le repositionnement s'effectue en appuyant légèrement sur la poignée arceau. Reculez légèrement la tronçonneuse. Enfoncez la barre dentée et soulevez à nouveau la poignée arrière.
- Faites attention à la projection de bois. Les morceaux de bois sciés peuvent être entraînés (risque de blessures).
- La tronçonneuse peut être poussée en direction de l'opérateur lors de la découpe avec la partie supérieure du rail si la chaîne de scie se coince. Par conséquent, dans la mesure du possible, sciez avec la partie inférieure du rail, car la tronçonneuse tourne alors dans le sens opposé du corps de l'opérateur, vers le bois.
- Le bois sous tension doit toujours être incisé côté poussée. Ce n'est qu'ensuite que la séparation peut avoir lieu côté traction. Vous éviterez ainsi le coincement du rail.
- Lorsque vous travaillez dans l'arbre, la tronçonneuse peut chuter. Cela peut provoquer de graves blessures et des dommages matériels. Sécurisez la tronçonneuse avec le dispositif de suspension.
- Avant que la chaîne de scie ne soit guidée dans la zone de coupe, un dérapage latéral ou un saut de la tronçonneuse peut survenir.

## ⚠ ATTENTION

### Risque élevé de mouvement de recul !

Pour garder le contrôle lors du tronçonnage, réduisez la force de pression sur la fin de la coupe en tenant fermement les poignées de la tronçonneuse. Veillez à ce que la chaîne de scie ne touche pas le sol. Lorsque vous avez terminé la coupe, attendez que la chaîne de scie soit immobilisée avant de retirer la tronçonneuse. Coupez toujours le moteur de la tronçonneuse avant de changer d'arbre.

## ⚠ AVERTISSEMENT

En cas de travail prolongé, les vibrations qui s'exercent sur les mains de l'opérateur peuvent causer des problèmes de circulation (syndrome de Raynaud).

Le syndrome de Raynaud est une maladie vasculaire qui se caractérise par une contraction brutale des petits vaisseaux sanguins des doigts et des orteils. Le sang n'irrigue plus suffisamment les zones concernées, ce qui les fait apparaître extrêmement pâles. L'utilisation fréquente d'équipements vibrants peut causer des atteintes nerveuses pour les personnes souffrant des problèmes de circulation (par exemple, fumeurs, diabétiques).

Si vous constatez des troubles inhabituels, cessez immédiatement le travail et consultez un médecin.

Pour réduire les dangers, respectez les consignes suivantes :

- S'il fait froid, faites en sorte que votre corps et en particulier vos mains restent au chaud.
- Prenez des pauses régulières et bougez vos mains pour stimuler la circulation sanguine.
- Veillez à ce que la machine vibre le moins possible par une maintenance régulière et des pièces fixes sur la machine.

## 7.10 Risques résiduels

### ⚠ DANGER :

#### RISQUE DE BLESSURES !

Tout contact avec la chaîne de scie peut causer des blessures par coupure mortelles.

Ne jamais toucher la chaîne de scie en marche.

#### RISQUE DE MOUVEMENT DE REcul !

Un mouvement de recul peut causer des blessures par coupure mortelles.

#### RISQUE DE BRÛLURES !

La chaîne et le rail de guidage chauffent pendant le fonctionnement.

**L'appareil est construit selon la technique de pointe et selon les règles techniques de sécurité reconnues. Son utilisation peut toutefois présenter des risques résiduels.**

En outre, et ce malgré toutes les mesures préventives prises, des risques résiduels cachés peuvent demeurer.

Les risques résiduels peuvent être minimisés en observant les sections « Consignes de sécurité » et « Utilisation conforme » ainsi que les instructions d'utilisation de manière générale.

## 8. Caractéristiques techniques

Machine sans lame de pliage

Longueur x largeur x hauteur.....	270 x 230 x 240 mm
Poids réservoir vide, sans dispositif de coupe env.....	3,4 kg
Poids réservoir vide, avec dispositif de coupe env.....	3,8 kg
Réservoir d'huile de lubrification de chaîne.....	0,16 l
Contenance du réservoir de carburant.....	0,23 l
Mélange huile-essence.....	1:40
Longueur de coupe.....	20 cm
Longueur du guide.....	30 cm
Lubrification automatique de la chaîne.....	oui
Section de chaîne.....	3/8" (9,525 mm)
Épaisseur des maillons de chaîne.....	1,27 mm
Type de chaîne.....	3/8LP-40
Nombre de dents du pignon d'entraînement.....	6
Pas de dent du pignon d'entraînement.....	3/8"
Type de guide.....	AP10-40-509P
Vitesse de chaîne max.....	21 m/s
Moteur.....	1 cylindre, 2 temps, refroidissement à l'air
Cylindrée du moteur.....	25,4 cm <sup>3</sup>
Puissance max. du moteur selon la norme ISO 7293.....	0,7 kW
Régime ralenti $n_0$ .....	3300 ±300 min <sup>-1</sup>
Régime maximal avec dispositif de coupe.....	11000 min <sup>-1</sup>
Bougie d'allumage.....	L8RTC

**En fonction de l'utilisation et des activités à réaliser, le niveau de pression sonore doit être réduit de manière à ne pas nuire à la santé de l'opérateur. Sur le lieu de travail, le niveau de pression sonore peut dépasser 80 dB. Dans ce cas, des mesures de protection contre le bruit sont indispensables pour l'opérateur (par exemple, port d'une protection auditive).**

### Limitez au maximum le développement de bruit et les vibrations !

- Utilisez uniquement des appareils en parfait état.
- Procédez régulièrement à la maintenance et au nettoyage de l'appareil.
- Adaptez votre mode de travail à l'appareil.
- Ne surchargez pas l'appareil.
- Faites au besoin contrôler l'appareil.

- Arrêtez l'appareil lorsqu'il n'est pas utilisé.
- Portez des gants de protection.

Niveau de pression sonore mesuré $L_{pA}$ .....	99,2 dB
Incertitude $K_{pA}$ .....	3 dB
Niveau de puissance sonore garanti $L_{WA}$ .....	113 dB
Niveau de puissance sonore mesuré $L_{WA}$ .....	108,7 dB
Incertitude $K_{WA}$ .....	3 dB

Vibration, poignée avant.....	8,98 m/s <sup>2</sup>
Vibration, poignée arrière.....	8,03 m/s <sup>2</sup>
Incertitude.....	1,5 m/s <sup>2</sup>

### Portez une protection auditive.

Les nuisances sonores peuvent entraîner une perte d'audition.

Les valeurs d'émission de bruit indiquées ont été mesurées dans le cadre d'une méthode de contrôle normalisée et peuvent être utilisées pour comparer deux appareils entre eux. Les valeurs d'émission de bruit indiquées peuvent être utilisées également afin de réaliser une estimation préalable de la charge.

### Avertissement :

- Les valeurs d'émission de bruit peuvent différer des valeurs indiquées lors de l'utilisation réelle de l'appareil selon la manière dont il est utilisé et en particulier selon le type de pièce usinée traitée.
- Faites en sorte que la charge demeure la plus faible possible. Exemple de mesure : limitation du temps de travail. À ce niveau, tous les éléments du cycle de fonctionnement doivent être pris en compte (par exemple, périodes d'arrêt de l'appareil et périodes de fonctionnement sans charge de l'appareil).

## 9. Avant la mise en service

1. Ouvrez l'emballage et sortez-en délicatement l'appareil.
2. Retirez le matériau d'emballage, ainsi que les protections d'emballage et de transport (s'il y a lieu).
3. Vérifiez que les fournitures sont complètes.
4. Vérifiez que l'appareil et les accessoires n'ont pas été endommagés lors du transport.
5. Conservez si possible l'emballage jusqu'à la fin de la période de garantie.
6. Enlevez la courte notice d'utilisation du câble de démarrage (8).

## ATTENTION

L'appareil et les matériaux d'emballage ne sont pas des jouets ! Les enfants ne doivent pas jouer avec les sacs en plastique, films d'emballage et pièces de petite taille ! Il existe un risque d'ingestion et d'étouffement !

### 9.1 Montage du rail de guidage (2) et de la chaîne de scie (1)

#### AVERTISSEMENT

#### Risque de blessures !

Portez toujours des gants de protection lorsque vous touchez la chaîne de scie (1). Risque de blessures sur les dents de coupe acérées !

Utilisez uniquement des chaînes de scie (1) et rails de guidage (2) compatibles (voir le chapitre « Dispositifs de coupe autorisés »).

Effectuez toujours le montage lorsque le moteur est coupé.

#### Remarque

Les nouvelles chaînes de scie (1) s'allongent et doivent souvent être retendues. Contrôlez régulièrement la tension de la chaîne et ajustez-la.

En fonction de l'usure, le rail de guidage (2) peut être retourné.

1. Posez la scie à chaîne sur un support droit et stable.
2. Tirez la protection des mains avant (3) vers l'arrière jusqu'à la butée pour desserrer le frein de chaîne. (Fig. 2)
3. Retirez les deux écrous de fixation (16) avec la clé à bougie d'allumage (20).
4. Retirez la protection de pignon (17).
5. Faites tourner la vis de serrage de la chaîne (23) vers la gauche (dans le sens inverse des aiguilles d'une montre) jusqu'à ce que la tige de tension de chaîne (26) soit en butée à droite (fig. 3). Pour ce faire, utilisez le tournevis plat (20).
6. Poussez le trou longitudinal du rail de guidage (2) sur les deux boulons de fixation saillants (29).
7. Posez la chaîne de scie (1) sur la dentelure du pignon (27). Guidez précisément la chaîne de scie (1) dans le rail de guidage (2). À la pointe du rail de guidage (2), vous trouverez un pignon (30). La chaîne de scie (1) doit être insérée dans les dents de ce pignon. (Fig. 6 et 18)
8. Tirez un peu sur le rail de guidage (2) pour tendre légèrement la chaîne de scie (1).

9. Remettez la protection de pignon (17) en place. Veillez à ce que la tige de tension de chaîne (26) située à l'intérieur soit adaptée à l'alésage du rail de guidage (2). Au besoin, adaptez le serrage de la vis de tension de chaîne (23) avec le tournevis plat (20).
10. Vissez les deux écrous de fixation (16) à la main. Veillez à ne pas les serrer fermement. Ne serrez les écrous de fixation (16) qu'après avoir tendu la chaîne de scie (1).

### 9.2 Tension et contrôle de la chaîne de scie (1)

#### AVERTISSEMENT

Mettez des gants de protection ! Risque de blessures sur les dents de coupe acérées !

Vérifiez régulièrement la tension de la chaîne avant chaque mise en service.

Toujours effectuer les vérifications avant la mise en service et lorsque le moteur est éteint.

1. Avant la tension, desserrez légèrement les deux écrous de fixation (16) avec la clé à bougie d'allumage (20).
2. Tournez la vis de tension de chaîne (23) dans le sens des aiguilles d'une montre avec le tournevis plat (20) pour augmenter la tension.
3. Serrez les deux écrous de fixation (16) à fond avec la clé à bougie d'allumage (20).
4. La chaîne de scie (1) doit être en contact avec le côté inférieur du guide. Vérifiez si la chaîne de scie (1) (si le frein de chaîne est desserré, tirez la protection des mains avant (3) vers l'arrière) peut être tirée manuellement sur le rail de guidage (2).

#### REMARQUE

Les nouvelles chaînes de scie (1) s'allongent et doivent souvent être retendues.

### 9.3 Mélange de carburants

Le moteur utilise un mélange de carburants composé d'essence et d'huile moteur.

#### AVERTISSEMENT

Évitez tout contact cutané avec le carburant et l'inhalation de vapeurs de carburant.

Utilisez uniquement un mélange d'essence sans plomb (ROZ 95 min.) et d'huile spéciale moteur 2 temps (JASO FD/ISO - L - EGD). Mélangez les carburants selon le tableau des mélanges de carburants.

Versez la quantité adéquate d'essence et d'huile moteur 2 temps dans le réservoir de mélange fourni (22) (voir « Tableau des mélanges de carburants »). Secouez ensuite bien le réservoir de mélange (22).

### 9.3.1 Tableau des mélanges de carburants

#### Procédure de mélange : 40 volumes d'essence pour 1 volume d'huile

Essence .....	Huile 2 cycles
0,5 litre .....	12,5 ml

### 9.4 Remplissage de carburant (fig. 8)

#### AVERTISSEMENT

Ne versez le carburant que lorsque le moteur est arrêté et a refroidi. Il existe un risque d'incendie !

1. Nettoyez toujours la zone autour du bouchon du réservoir de carburant (13) avant le remplissage, afin d'éviter que des saletés ne pénètrent dans le réservoir de carburant. Pour ce faire, utilisez un tissu sec et non pelucheux.
2. Posez l'appareil sur le côté afin que le bouchon du réservoir de carburant (13) soit orienté vers le haut.
3. Tournez le bouchon du réservoir de carburant (13) dans le sens inverse des aiguilles d'une montre et ouvrez-le. Le bouchon du réservoir de carburant (13) est relié au réservoir de carburant par une sécurité afin qu'il ne tombe pas.
4. Remplissez le réservoir de carburant du mélange de carburants. Ne renversez pas de carburant lors du plein et ne remplissez pas le réservoir de carburant à ras bord.
5. Essuyez immédiatement tout carburant renversé.
6. Tournez le bouchon du réservoir de carburant (13) dans le sens des aiguilles d'une montre pour le verrouiller.

#### REMARQUE

Après chaque remplissage de carburant, contrôlez également l'huile de chaîne.

### 9.5 Purge de carburant

**Videz le réservoir de carburant uniquement en extérieur ou dans des locaux bien ventilés. Veillez à ce que le carburant ne pénètre pas dans le sol (protection de l'environnement). Utiliser un support adapté.**

1. Maintenez un récipient de collecte sous le réservoir de carburant.
2. Dévissez le bouchon du réservoir de carburant (13) et retirez-le.
3. Laissez le mélange essence/huile s'écouler complètement.
4. Revissez manuellement le bouchon du réservoir de carburant (13).

### 9.6 Remplissage d'huile de chaîne (fig. 8)

#### AVERTISSEMENT

Ne versez l'huile pour chaîne de scie que lorsque le moteur est arrêté et a refroidi. Il existe un risque d'incendie !

N'utilisez jamais la tronçonneuse si la chaîne n'est pas lubrifiée ! Si la chaîne de scie fonctionne à sec (1), le dispositif de coupe risque de subir rapidement des dommages irréversibles.

Vérifiez toujours le graissage de la chaîne avant les travaux.

#### REMARQUE

Utilisez uniquement de l'huile pour chaîne de scie. De préférence biodégradable. N'utilisez pas d'huile usagée, d'huile moteur, etc.

Pendant les travaux, vérifiez que le graissage de chaîne fonctionne.

1. Nettoyez toujours la zone autour du bouchon du réservoir de carburant (11) avant le remplissage, afin d'éviter que des saletés ne pénètrent dans le réservoir d'huile de chaîne. Pour ce faire, utilisez un tissu sec et non pelucheux.
2. Posez l'appareil sur le côté afin que le bouchon du réservoir d'huile de chaîne (11) soit orienté vers le haut.
3. Tournez le bouchon du réservoir d'huile de chaîne (11) dans le sens inverse des aiguilles d'une montre et ouvrez-le. Le bouchon du réservoir d'huile de chaîne (11) est relié au réservoir d'huile de chaîne par une sécurité afin qu'il ne tombe pas.
4. Remplissez le réservoir d'huile de chaîne avec de l'huile de chaîne bio. Ne renversez pas d'huile de chaîne lors du remplissage et ne remplissez pas le réservoir de d'huile de chaîne à ras bord.
5. Essuyez immédiatement toute huile de chaîne renversée.
6. Tournez le bouchon du réservoir d'huile de chaîne (11) dans le sens des aiguilles d'une montre pour le verrouiller.

## 10. Mise en service

### PRUDENCE

Observez les dispositions légales relatives à la protection du bruit.

Vérifiez l'appareil quant aux points suivants avant chaque mise en service :

- Étanchéité du système de carburant
- État irréprochable et intégrité des dispositifs de protection et du dispositif de coupe
- Bonne fixation de tous les raccords vissés
- Déplacement facile de toutes les pièces mobiles

### Consignes de travail

Avant utilisation, familiarisez-vous avec la manipulation de la tronçonneuse.

#### 10.1 Démarrage du moteur

### ATTENTION

Avant le démarrage du moteur, éloignez-vous d'au moins trois mètres du lieu d'approvisionnement en essence (fig. 9).

Tirez toujours droit sur le câble de démarrage (8). Tenez la poignée du câble de démarrage (8) lorsque le câble de démarrage (8) rentre à nouveau. Ne laissez jamais le câble de démarrage (8) revenir brutalement.

Relâchez la gâchette d'accélérateur (5) dès le démarrage du moteur. Assurez-vous que la vitesse de rotation du moteur est à nouveau en marche à vide avant de desserrer le frein de chaîne (pousser la protection des mains avant (3) vers l'arrière).

Ne tirez le levier de démarrage à froid (starter manuel) (14) que pour le démarrage.

##### 10.1.1 Démarrage lorsque le moteur est froid

### AVERTISSEMENT

Actionnez le frein de chaîne avant chaque mise en service (pousser la protection des mains (3) vers l'avant).

### ATTENTION

Ne laissez jamais le câble de démarrage (8) revenir brutalement en arrière. Cela risquerait d'entraîner des dommages.

1. Retirez le couvercle du rail de guidage (21).
2. Placez la scie à chaîne sur une surface stable et plane. La chaîne de scie (1) ne doit alors pas toucher le sol.

3. Poussez la protection des mains avant (3) vers l'avant jusqu'à ce qu'elle s'enclenche. La chaîne de scie (1) est bloquée par le frein de chaîne.
4. Appuyez 6x sur la pompe à carburant « Primer » (4). (Fig. 1)
5. Mettez l'interrupteur On/Off (15) sur « ON ». (Fig. 1)
6. Tirez le levier de démarrage à froid (starter manuel) (14). (Fig. 10.2)
7. Tenez la tronçonneuse par la poignée avant (12) et tirez lentement sur le câble de démarrage (8) jusqu'à sentir une résistance.
8. Tirez à présent fermement sur le câble de démarrage (8) jusqu'à ce que le moteur démarre. Si le moteur ne démarre pas, répétez le processus. Tant que le levier de démarrage à froid (starter manuel) (14) est sorti, le moteur ne fait que démarrer et s'arrête ensuite.
9. Dès que le moteur est arrêté, actionnez simultanément le blocage de la gâchette d'accélérateur (7) et la gâchette d'accélérateur (5). Le levier de démarrage à froid (starter manuel) (14) passe automatiquement en position « Démarrage à chaud ». (Fig. 10.1)
10. Tirez à présent de nouveau fermement sur le câble de démarrage (8) jusqu'à ce que le moteur démarre.

Si le moteur ne démarre toujours pas après plusieurs tentatives, lisez le chapitre « Dépannage ».

### REMARQUE

Lorsque les températures extérieures sont élevées, il peut être nécessaire de démarrer sans levier de démarrage à froid (starter manuel) (14) même lorsque le moteur est froid !

- Desserrez le frein de chaîne en tirant la protection des mains avant (3) vers l'arrière. (Fig. 2)
- **PRUDENCE !** Le frein de chaîne est à présent desserré. Si la gâchette d'accélérateur (5) est actionnée avec le blocage de la gâchette d'accélérateur (7), la chaîne de scie (1) démarre.

##### 10.1.2 Démarrage lorsque le moteur est chaud (L'appareil a été arrêté pendant moins de 15–20 minutes.)

### AVERTISSEMENT

Actionnez le frein de chaîne avant chaque mise en service (pousser la protection des mains (3) vers l'avant).

1. Poussez la protection des mains avant (3) vers l'avant jusqu'à ce qu'elle s'enclenche. La chaîne de scie (1) est bloquée par le frein de chaîne.



2. Mettez l'interrupteur On/Off (15) sur « ON ».
3. Le levier de démarrage à froid (starter manuel) (14) ne doit pas être tiré pour démarrer le moteur à chaud.
4. Tenez la tronçonneuse par la poignée avant (12) et tirez lentement sur le câble de démarrage (8) jusqu'à sentir une résistance.
5. Tirez à présent fermement sur le câble de démarrage (8). L'appareil doit démarrer après 1-2 courses. Si l'appareil ne démarre toujours pas après 6 tentatives, répétez l'opération décrite à la section « Démarrage lorsque le moteur est froid ».

## 10.2 Arrêter le moteur

### 10.2.1 Procédure d'arrêt d'urgence

Si vous avez besoin d'arrêter immédiatement l'appareil, mettez l'interrupteur On/Off (15) sur « OFF ». (Fig. 1)

### 10.2.2 Procédure normale

1. Relâchez la gâchette d'accélérateur (5). Le moteur passe en vitesse de marche à vide.
2. Mettez ensuite l'interrupteur On/Off (15) sur « OFF ». (Fig. 1)

## 10.3 Fonctionnement en marche à vide

### ⚠ ATTENTION

En marche à vide, la chaîne de scie (1) doit être arrêtée.

### REMARQUE

Si la chaîne de scie (1) se déplace en marche à vide ou que le moteur s'arrête de lui-même à la coupure des gaz, un réglage du carburateur doit avoir lieu (voir le chapitre « Maintenance des réglages du carburateur »).

1. Soulevez la tronçonneuse.
2. Avec la main gauche, tenez la poignée avant (12).
3. Avec la main droite, tenez la poignée arrière (6). La paume de la main repose sur le blocage de la gâchette d'accélérateur (7) et l'index actionne la gâchette d'accélérateur (5).
4. Après actionnement de la gâchette d'accélérateur (5), le moteur fonctionne en marche à vide.
5. Laissez le moteur tourner à chaud brièvement.

## 10.4 Contrôle et réglage du graissage de chaîne

### ⚠ ATTENTION

- N'utilisez jamais la tronçonneuse si la chaîne n'est pas lubrifiée ! Si la chaîne de scie fonctionne à sec (1), le dispositif de coupe risque de subir rapidement des dommages irréversibles.
- Vérifiez toujours le graissage de la chaîne avant les travaux.

### Remarque

Utilisez uniquement de l'huile pour chaîne de scie, de préférence biodégradable. N'utilisez pas d'huile usagée, d'huile moteur, etc.

Pendant le fonctionnement à régime moyen, tenez la tronçonneuse au-dessus d'une souche d'arbre sciée ou d'un support approprié. Si la lubrification est suffisante, une fine pellicule d'huile se forme sur la souche d'arbre ou le support.

- La vis de régulation d'huile peut, au besoin, servir à augmenter ou à diminuer le graissage de chaîne (32) (fig. 11).
- Pour ce faire, utilisez le tournevis plat fourni (20) :
  - Appuyez puis tournez la vis de régulation d'huile (32) dans le sens des aiguilles d'une montre pour diminuer le graissage de chaîne.
  - Appuyez puis tournez la vis de régulation d'huile (32) dans le sens inverse des aiguilles d'une montre pour augmenter le graissage de chaîne.

## 10.5 Contrôle du frein de chaîne

### ⚠ AVERTISSEMENT

Le frein de chaîne doit être contrôlé avant chaque mise en service.

Le frein de chaîne freine immédiatement la chaîne de scie (1) en cas de mouvement de recul.

1. Veillez à ce que la protection des mains avant (3) soit exempte de saletés et se déplace facilement.
2. Démarrez la tronçonneuse et réglez la chaîne de scie (1) sur la vitesse maximale (pleins gaz).
3. Lorsque la chaîne de scie (1) fonctionne, activez la protection des mains avant (3). Le frein de chaîne doit freiner et bloquer la chaîne de scie (1) à la vitesse max.

### ⚠ AVERTISSEMENT

Le maintien prolongé d'un régime moteur élevé alors que le frein de chaîne est actionné endommage le moteur et l'entraînement de chaîne.

Si la chaîne de scie (1) se déplace tout de même, contactez le service après-vente.

## 11. Utilisation

### 11.1 Travaux d'ébranchage

- Soyez particulièrement attentif au risque de mouvement de recul des branches.
- Ne vous mettez pas sur le tronc pour l'ébranchage.
- N'effectuez pas de coupe avec la pointe du guide-chaîne. (Fig.7)
- Ne coupez jamais plusieurs branches à la fois.
- Pendant l'ébranchage, soutenez si possible la tronçonneuse avec la butée de griffe (24).
- Sachez que, à la fin de la coupe, la tronçonneuse peut basculer en raison de son propre poids. Elle n'est plus soutenue par la coupe, vous devez donc la retenir en conséquence.
- Adoptez une position fixe, stable et sûre lors de l'ébranchage.

#### 11.1.1 Travaux d'ébranchage sur des parties prédécoupées

Raccourcissez les branches longues ou épaisses avant d'effectuer la coupe finale. Sinon, la chaîne de scie (1) risque de se coincer.

#### 11.1.2 Traitement de bois sous tension

La procédure correcte de traitement du bois sous tension doit absolument être observée. Dans le cas contraire, la chaîne de scie (1) risque de se coincer ou de provoquer un mouvement de recul.

Le bois sous tension doit toujours être incisé côté poussée. Ce n'est qu'ensuite que la séparation peut avoir lieu côté traction. (Fig. 24)

Vous éviterez ainsi le coincement de la chaîne de scie (1).

### ATTENTION

#### Risque de dommages !

La partie inférieure de la zone de coupe du bois déposé ne doit pas être en contact avec le sol, car cela risquerait d'abîmer la chaîne de scie (1).

#### Recul

- Le coincement de la chaîne de scie (1) au niveau du bord supérieur du rail de guidage (2) peut rapidement repousser la tronçonneuse vers l'opérateur de manière incontrôlée.

#### Happement

- Le coincement de la chaîne de scie (1) au niveau du bord inférieur du rail de guidage (2) peut rapidement éloigner la tronçonneuse de l'opérateur de manière incontrôlée.

#### Travail en toute sécurité

- Gardez l'appareil en bon état afin d'éviter les blessures.
- Après l'abattage, contrôlez l'appareil pour détecter des dommages ou défauts significatifs.
- N'utilisez pas l'appareil debout sur une échelle ou sur un support peu stable.
- N'effectuez pas de coupes irréfléchies. Cela pourrait vous mettre vous-même et les autres en danger.
- Changez régulièrement de position de travail. Une durée d'utilisation prolongée de l'appareil peut entraîner des troubles circulatoires au niveau des mains en raison des vibrations. Vous pouvez cependant augmenter la durée d'utilisation en utilisant des gants adaptés ou en effectuant des pauses régulières. Sachez que les prédispositions personnelles à une mauvaise circulation, les températures extérieures basses et les forces de préhension importantes lors du travail réduisent la durée d'utilisation.

#### 11.2 Le tronc est courbé vers le bas

1. Effectuez d'abord la coupe de décharge 1 (env. 1/3 du diamètre de l'arbre) côté poussée.
2. Effectuez ensuite la coupe de sectionnement 2 (env. 2/3 du diamètre de l'arbre) côté traction.

#### 11.3 Le tronc est courbé vers le haut

1. Effectuez d'abord la coupe de décharge 1 (env. 1/3 du diamètre de l'arbre) côté poussée.
2. Effectuez ensuite la coupe de sectionnement 2 (env. 2/3 du diamètre de l'arbre) côté traction.

#### 11.4 Utilisation de la tronçonneuse d'élagage pour effectuer des découpes en utilisant une technique d'accès sur corde

Cette annexe présente les méthodes de travail adaptées pour réduire le risque de blessures lorsque vous utilisez des tronçonneuses d'entretien des arbres en hauteur avec une corde et une sangle de transport. Même si elle peut servir de guide et que sa lecture peut s'avérer instructive, elle ne saurait remplacer une formation classique. Le guide que constitue cette annexe n'est qu'un exemple de méthode de travail correcte. Des prescriptions nationales ou autres plus strictes peuvent être applicables.

S'il travaille en hauteur avec une corde et une sangle de transport, l'utilisateur d'une tronçonneuse d'élagage doit toujours être accompagné. Un collaborateur formé aux mesures d'urgence doit se trouver au sol et l'assister.

De manière générale, l'utilisateur doit être formé aux techniques d'escalade et de positionnement sécuritaires et doit être équipé, pour lui-même et pour la scie, d'une sangle de transport, d'une corde, d'élingues, de mousquetons et de tout autre équipement nécessaire au maintien d'une position de travail correcte et sûre.

Respectez toujours strictement les lois et prescriptions nationales.

Cette annexe n'aborde ni les techniques de contrôle des branches découpées avec la tronçonneuse ni les points traités précédemment concernant l'utilisation sûre.

#### 11.4.1 Exigences générales

S'il travaille en hauteur avec une corde et une sangle de transport, l'utilisateur d'une tronçonneuse d'élagage doit toujours être accompagné. Un collaborateur formé aux mesures d'urgence doit se trouver au sol et l'assister.

De manière générale, l'utilisateur doit être formé aux techniques d'escalade et de positionnement sécuritaires et doit être équipé, pour lui-même et pour la scie, d'une sangle de transport, d'une corde, d'élingues, de mousquetons et de tout autre équipement nécessaire au maintien d'une position de travail correcte et sûre.

#### 11.4.2 Préparatifs avant utilisation de la tronçonneuse d'élagage dans l'arbre

La tronçonneuse doit être contrôlée, remplie, allumée et mise à température de service puis coupée par la personne au sol avant d'être hissée jusqu'à l'utilisateur situé dans l'arbre.

La tronçonneuse doit être équipée d'une élingue adaptée pour pouvoir être installée sur la sangle de transport de l'utilisateur (fig. 13) :

- L'élingue doit être fixée au dispositif de suspension (19) situé à l'arrière de la scie (fig. 12).
- Les mousquetons adaptés doivent être accessibles pour permettre la fixation indirecte (avec l'élingue p. ex.) ou directe (au dispositif de suspension (19) de tronçonneuse) de la scie à la sangle de transport de l'utilisateur.
- Soyez particulièrement attentifs lorsque vous fixez la tronçonneuse avant de la hisser jusqu'à l'utilisateur (fig. 14).
- Veillez à ce que la tronçonneuse soit fixée à la sangle de transport avant de la détacher du câble de levage.

Le fait de pouvoir fixer directement la tronçonneuse à la sangle de transport diminue le risque d'endommagement de l'équipement lorsque vous vous déplacez dans l'arbre. La tronçonneuse doit toujours être coupée lorsqu'elle est directement fixée à la sangle de transport.

La tronçonneuse doit uniquement être fixée à la sangle de transport à l'aide des dispositifs de suspension recommandés. Ceux-ci peuvent se trouver au milieu (à l'avant ou à l'arrière) ou sur les côtés. Lorsque c'est possible, fixez la tronçonneuse au point central arrière de la sangle de transport afin de la tenir à l'écart des cordes d'escalade et de centrer le poids sous la colonne vertébrale de l'utilisateur.

En cas de changement de dispositif de suspension de la tronçonneuse, les utilisateurs doivent s'assurer que la tronçonneuse est bien fixée dans la nouvelle position avant de détacher le dispositif de suspension précédent.

#### 11.5 Utilisation de la tronçonneuse dans l'arbre

Une analyse des accidents lors des travaux d'élagage avec ce type de tronçonneuse a montré que la principale cause d'accident reste l'utilisation de la tronçonneuse à une seule main. Dans la plupart des accidents, les utilisateurs n'ont pas adopté de position de travail sûre leur permettant de tenir la tronçonneuse par les deux poignées, ce qui augmente le risque de blessures dû aux causes suivantes :

- Mauvais maintien des poignées lors du mouvement de recul de la tronçonneuse.
- Mauvais contrôle de la tronçonneuse. La tronçonneuse peut dans ce cas plus facilement entrer en contact avec les cordes d'escalade et le corps de l'utilisateur (en particulier avec la main et le bras gauche).
- Perte de contrôle due à une mauvaise position de travail et contact avec la tronçonneuse (mouvements inattendus pendant les travaux avec la tronçonneuse).

#### 11.6 Position de travail sûre et utilisation à deux mains

Pour pouvoir maintenir la tronçonneuse des deux mains, les utilisateurs doivent principalement essayer d'adopter une position de travail sûre permettant de guider la scie de la manière suivante :

- à hauteur des hanches pour découper les pièces horizontales.
- à hauteur du ventre pour découper les pièces verticales.

Si l'utilisateur travaille proche d'un tronc vertical et que les forces latérales exercées par rapport à la position de travail sont faibles, un bon équilibre peut suffire à garantir une position de travail sûre. Cependant, dès que l'utilisateur s'éloigne du tronc, des mesures supplémentaires doivent être appliquées pour diminuer ou contrer l'augmentation des forces latérales, par exemple en déviant la corde principale à l'aide d'un dispositif de suspension supplémentaire ou en utilisant une élingue réglable reliant le harnais à un dispositif de suspension supplémentaire (fig. 15 et 16).

### 11.6.1 Démarrage de la tronçonneuse d'élagage dans l'arbre

Lors du démarrage de la tronçonneuse dans l'arbre, l'utilisateur doit :

- actionner le frein de chaîne avant le démarrage (pousser la protection des mains avant (3) vers l'avant).
- tenir la tronçonneuse à gauche ou à droite de son corps lors du démarrage :
  - Tenir la poignée avant de la tronçonneuse avec la main gauche sur le côté gauche et éloigner la tronçonneuse de son corps pendant qu'il tient le câble de démarrage de la main droite.
  - Tenir l'une des poignées de la tronçonneuse avec la main droite sur le côté droit et éloigner la tronçonneuse de son corps pendant qu'il tient le câble de démarrage de la main gauche.

Activez toujours le frein de chaîne avant d'abaisser la tronçonneuse en marche sur son câble porteur.

Avant d'effectuer des travaux de sciage difficiles, l'utilisateur doit toujours s'assurer que la tronçonneuse a suffisamment de carburant.

### 11.6.2 Utilisation de la tronçonneuse à une main

Les utilisateurs ne doivent pas utiliser la tronçonneuse à une main dans des positions de travail instables pour effectuer des travaux d'élagage ou l'utiliser à la place d'une scie manuelle pour découper des extrémités de branches présentant un faible diamètre.

Les tronçonneuses d'élagage doivent uniquement être utilisées à une main, lorsque

- a. l'utilisateur ne peut pas se mettre dans une position de travail permettant une utilisation à deux mains.
- b. l'utilisateur a besoin d'une main pour sécuriser sa position de travail.
- c. la tronçonneuse est utilisée dans une position entièrement étendue, à angle droit et hors d'une ligne par rapport au corps de l'utilisateur.

L'utilisateur ne doit jamais :

- Scier avec la zone de mouvement de recul au niveau de la pointe du rail de guidage (2) de la tronçonneuse.
- Se tenir à la branche qu'il est train de scier.
- Essayer d'attraper les morceaux qui tombent.

### 11.6.3 Extraction d'une tronçonneuse coincée

Si la tronçonneuse se coincé pendant la découpe, l'utilisateur doit :

1. Arrêter la tronçonneuse et la fixer correctement vers l'intérieur de l'arbre (c'est-à-dire vers le tronc d'arbre) ou sur un câble à outils séparé.
2. Tirer la tronçonneuse de l'entaille pendant que la branche est levée au niveau requis,
3. Au besoin, utiliser une scie manuelle ou une deuxième tronçonneuse pour libérer la tronçonneuse coincée en réalisant une découpe à au moins 30 cm de la tronçonneuse coincée.

Que vous utilisiez une scie manuelle/tronçonneuse pour libérer la tronçonneuse coincée ou pas, les coupes servant à libérer la tronçonneuse doivent toujours être effectuées vers l'extérieur (vers l'extrémité des branches) pour que la tronçonneuse ne soit pas emportée par les parties découpées et éviter de compliquer la situation davantage.

## 12. Transport

- Utilisez toujours le couvercle du rail de guidage (21) lors du transport.
- Arrêtez la tronçonneuse avant chaque transport, même sur de courts trajets. Pendant le transport (même dans des véhicules), sécurisez la machine contre le renversement, afin d'éviter les pertes de carburant, les dommages et les blessures.
- Actionnez le frein de chaîne (pousser la protection des mains avant (3) vers l'avant).
- Ne portez l'appareil que par la poignée avant (12). Le rail de guidage (2) est alors orienté vers l'arrière, à l'opposé de votre corps.
- Tenez le silencieux chaud (18) éloigné de votre corps. Il existe un risque de brûlures ! (Fig. 23)

## 13. Nettoyage et maintenance

### ⚠ AVERTISSEMENT

#### Risque de blessures !

Arrêtez toujours l'appareil et débranchez le connecteur de bougie d'allumage (35) avant les travaux de nettoyage. (voir chapitre 13.4 Maintenance de la bougie d'allumage (34)).

#### Remarque

Après chaque utilisation, nettoyez soigneusement l'appareil. Procédez aux travaux de nettoyage et de maintenance conformément aux indications du présent mode d'emploi. Les autres travaux doivent être réalisés par des spécialistes. Les travaux de maintenance doivent être réalisés régulièrement (voir chapitre « Intervalles de maintenance »).

### 13.1 Nettoyage du bloc-moteur

### ⚠ AVERTISSEMENT

#### Risque de brûlures !

Ne touchez pas les silencieux, les vérins ou les ailettes de refroidissement chauds.

- Veillez à ce que les dispositifs de protection, le volet d'aération et le logement du moteur restent aussi exempts de poussières et d'impuretés que possible. Pulvérisez de l'air comprimé à basse pression.
- Nettoyez régulièrement l'appareil avec un chiffon humide et un peu de détergent. Veiller à ce que l'eau ne puisse pas pénétrer à l'intérieur de l'appareil.

### 13.2 Nettoyage du filtre à air (33) (fig. 17)

Des filtres à air encrassés réduisent la puissance du moteur en raison d'une alimentation en air trop faible vers le carburateur.

Pour cette raison, un contrôle régulier est indispensable. Le filtre à air (33) doit être contrôlé régulièrement et doit être nettoyé en cas de besoin.

En cas d'air fortement chargé de poussière, le filtre à air (33) doit être vérifié plus souvent.

1. Dévissez le bouchon du couvercle du filtre à air (10) en le faisant tourner dans le sens inverse des aiguilles d'une montre.
2. Retirez le couvercle du filtre à air (9).
3. Retirez le filtre à air (33).
4. Nettoyez le filtre à air (33) en le tapotant ou en le soufflant (à l'air comprimé).

Pour l'assemblage, procédez dans l'ordre inverse.

### ⚠ ATTENTION

Ne nettoyez jamais le filtre à air (33) à l'essence ou à l'aide d'un solvant inflammable.

### 13.3 Nettoyage de l'entraînement de chaîne

### ⚠ AVERTISSEMENT

#### Risque de blessures !

Portez toujours des gants de protection lorsque vous touchez la chaîne de scie (1). Risque de blessures sur les dents de coupe acérées !

#### Remarque

Nettoyez l'entraînement de chaîne après chaque utilisation.

1. Posez la scie à chaîne sur un support droit et stable.
2. Tirez la protection des mains avant (3) vers l'arrière jusqu'à la butée pour desserrer le frein de chaîne. (Fig. 2)
3. Faites tourner la vis de serrage de chaîne (23) dans le sens inverse des aiguilles d'une montre avec le tournevis plat (20) pour réduire la tension.
4. Retirez les deux écrous de fixation (16) avec la clé à bougie d'allumage (20).
5. Retirez la protection de pignon (17).
6. Retirez prudemment la chaîne de scie (1) du rail de guidage (2) et du pignon (27).
7. Retirez le rail de guidage (2). Nettoyez-le à l'aide d'un pinceau.
8. Nettoyez en profondeur l'ensemble de la zone d'entraînement de la chaîne et la protection de pignon (17) avec un pinceau ou en les soufflant (à l'air comprimé).

Pour l'assemblage, procédez dans l'ordre inverse.

### 13.4 Maintenance de la bougie d'allumage (34) (fig. 19/20)

1. Démontez le filtre à air (33) comme décrit au chapitre 13.2 « Nettoyage du filtre à air (33) ».
2. Débranchez le connecteur de bougie d'allumage (35) en le tournant vers la gauche et vers la droite et en tirant dessus simultanément. Tenez et tirez le connecteur de bougie d'allumage (35) uniquement au niveau du connecteur. Ne tirez jamais sur le câble !
3. Desserrez la bougie d'allumage (34) avec la clé à bougie d'allumage fournie (20).
4. Pour l'assemblage, procédez dans l'ordre inverse.

Écart entre les électrodes = 0,6 - 0,7 mm (écart entre les électrodes où l'étincelle d'allumage est générée). Contrôlez la bougie d'allumage (34) pour la première fois après 10 heures de fonctionnement et, si nécessaire, nettoyez-la avec une brosse en cuivre.

Procédez ensuite à la maintenance de la bougie d'allumage (34) toutes les 50 heures de fonctionnement.

### 13.5 Maintenance du graissage de la chaîne

- Voir le chapitre « Contrôle et réglage de la lubrification de chaîne ».

### 13.6 Maintenance des réglages du carburateur

- Si la chaîne de scie (1) fonctionne en marche à vide ou que le moteur s'arrête de lui-même à la coupure des gaz, un réglage du carburateur doit avoir lieu.

#### Remarque

Confiez les réglages du carburateur (par exemple, régime du ralenti) uniquement à des spécialistes qualifiés pour éviter d'endommager le moteur.

### 13.7 Maintenance du rail de guidage (2)

- Éliminez les éventuelles bavures situées sur les bords du rail à l'aide d'une lime à métaux.
- Nettoyez la rainure du rail de guidage (2) à l'aide d'un pinceau ou d'air comprimé (fig. 21). Remplacez le rail de guidage (2) dès que la rainure de guidage (28) est usée.
- Tournez le rail de guidage (2) après chaque utilisation pour garantir une usure homogène.
- Vérifiez la facilité de déplacement du pignon (30) situé sur la pointe du rail de guidage (2). Au besoin, lubrifiez-le avec de l'huile pour engrenages. Faites couler quelques gouttes d'huile pour engrenages dans l'ouverture de lubrification (31). (Fig. 21)

### 13.8 Contrôle du frein de chaîne

Voir chapitre 10.5 « Contrôle du frein de chaîne »

#### AVERTISSEMENT

#### RISQUE DE MOUVEMENT DE REcul !

Un frein de chaîne défectueux augmente le risque de mouvement de recul.

Contrôlez régulièrement le frein de chaîne.

Un frein de chaîne fonctionnel est nécessaire pour garantir votre sécurité.

### 13.9 Tension et contrôle de la chaîne de scie (1)

Voir le chapitre 9.2 « Tension et contrôle de la chaîne de scie (1) »

### 13.10 Affûtage et entretien de la chaîne de scie (1)

#### AVERTISSEMENT

#### Risque de blessures !

Portez toujours des gants de protection lorsque vous touchez la chaîne de scie (1). Risque de blessures sur les dents de coupe acérées !

#### Remarque

Une chaîne de scie (1) bien entretenue et affûtée réduit les sollicitations corporelles, l'usure et garantit un bon résultat de coupe.

Nettoyez, entretenez et affûtez régulièrement la chaîne de scie (1).

Contrôlez régulièrement la chaîne de scie (1) pour détecter les éventuelles fissures et rivets endommagés.

Il est possible de fixer un touret à meuler sur l'auxiliaire de touret à meuler afin de garantir une bonne fixation pendant le meulage.

Utilisez uniquement des limes rondes de tronçonneuse spéciales Ø 4,8 mm (3/16") pour la chaîne de scie fournie (1).

Vous trouverez des informations détaillées concernant la procédure d'affûtage dans les kits d'affûtage.

Vous pouvez également utiliser une affûteuse de chaîne électrique et suivre les instructions du fabricant.

En cas de doute sur l'exécution des travaux, remplacez la chaîne de scie (1).

Faites effectuer l'affûtage de la chaîne de scie (1) par un atelier spécialisé.

- Accessoires nécessaires (non fournis) :
  - Lime ronde de chaîne de scie Ø 4,8 mm (3/16")
  - Lime plate
  - Gabarit de limitation de profondeur
- Ne limez que dans le sens d'avancée, pour retirer de la matière.
- Limez avec un angle d'affûtage d'env. 25° pour une inclinaison de 10° par rapport au rail de guidage (2).
- Contrôlez l'écart avec la limitation de profondeur à l'aide d'un gabarit de limite de profondeur.
- L'écart correct du gabarit de limite de profondeur doit être de 0,6 mm (0,024").

### 13.11 Intervalles de maintenance

Pour garantir une durée de vie optimale, ainsi que pour éviter les dommages et assurer une efficacité maximale aux dispositifs de sécurité, les travaux de maintenance suivants doivent être réalisés régulièrement. Vous ne pourrez prétendre à vos droits de garantie que s'il est attesté que ces travaux sont réalisés régulièrement et de manière conforme. Tout non-respect entraîne un risque d'accident !

Les utilisateurs de tronçonneuses ne doivent réaliser que les travaux de maintenance et d'entretien décrits dans le présent mode d'emploi.

Toute autre intervention doit être effectuée dans un atelier spécialisé.

Généralités	Tronçonneuse d'élagage complète	Nettoyage extérieur et contrôle de l'état. En cas de dommages, faire immédiatement effectuer une réparation en bonne et due forme.
	Chaîne de scie	Affûtage régulier, remplacement au besoin.
	Frein de chaîne	Contrôle régulier par un atelier spécialisé
	Rail de guidage	Rotation afin de garantir une usure homogène des surfaces de roulement Remplacement à temps.
Avant chaque mise en service	Chaîne de scie	Vérification de l'état et de l'affûtage. Contrôle de la tension de la chaîne.
	Rail de guidage	Vérification de l'état.
	Graissage de chaîne	Contrôle fonctionnel
	Interrupteur On/Off, blocage de la gâchette d'accélérateur, gâchette d'accélérateur	Contrôle fonctionnel
	Bouchon du réservoir de carburant et du réservoir d'huile de chaîne	Contrôle de l'étanchéité.
Chaque jour	Filtre à air	nettoyage
	Rail de guidage	Vérifier l'état, nettoyer l'alésage d'admission de l'huile
	Préhension du guide	Nettoyage, en particulier de la rainure de guidage de l'huile
	Régime ralenti	Contrôle (ne pas entraîner la chaîne)
Chaque semaine	Boîtier du ventilateur	Nettoyage pour garantir un guidage impeccable de l'air de refroidissement
	Bougie d'allumage	Vérification et au besoin remplacement
	Silencieux	Vérifier l'état de détérioration
	Attrape-chaîne	Vérifier l'état, au besoin remplacer
	Vis et écrous	Vérifier l'état et la fixation

Chaque trimestre	Tête d'aspiration Réservoir de carburant, d'huile de chaîne	Remplacement nettoyage
Stockage	Tronçonneuse d'élagage complète	Nettoyage extérieur et contrôle de l'état En cas de dommages, réclamer immédiatement une réparation en bonne et due forme
	Chaîne et guide-chaîne de tronçonneuse	Démontage, nettoyage et léger huilage Nettoyage de la rainure de guidage du rail de guidage
	Réservoir de carburant, d'huile de chaîne	Vidange et nettoyage
	Carburateur	Course à vide

### 13.12 Remarque importante en cas de réparation

Lors du retour de l'appareil en vue d'une réparation, celui-ci, pour des raisons de sécurité, doit être expédié à la station d'entretien sans huile ni essence.

### 13.13 Informations de service

Notez que, pour ce produit, les composants suivants sont soumis à une usure naturelle ou due à l'utilisation et que les composants suivants sont nécessaires en tant que consommables. Pièces d'usure\* : chaîne de scie, rail de guidage, huile de chaîne, huile moteur, butée de griffe, dispositif d'arrêt de chaîne, bougie d'allumage, filtre à air, filtre à carburant, filtre à huile pour chaîne

\* ne sont pas des composants obligatoires de la livraison !

#### Dispositif de coupe autorisé

Chaîne de scie

Kangxin 3/8LP-40.....7910100739

Oregon 91P040X.....3910102032

Rail de guidage

Kangxin AP10-40-509P.....7910100740

Oregon 100SDEA041 .....7910100744

## 14. Stockage

La clé à bougie d'allumage / le tournevis plat (20) peut être stocké(e) sur le côté du couvercle du rail de guidage (21). Utilisez toujours le couvercle du rail de guidage (21) lors du stockage.

Nettoyez et entretenez l'appareil avant chaque stockage, voir le chapitre « Nettoyage et maintenance ».

Videz entièrement le réservoir de carburant et le réservoir d'huile.

#### AVERTISSEMENT

Ne retirez pas l'essence dans un local clos, à proximité d'un feu ou en fumant. Les vapeurs d'essence peuvent causer des explosions ou un incendie.

- Démarrez le moteur et laissez-le fonctionner jusqu'à épuisement de l'essence résiduelle.

Entreposez l'appareil et ses accessoires dans un lieu sombre, sec et à l'abri du gel. En outre, ce lieu doit être hors de portée des enfants. La température de stockage optimale se situe entre 5 et 30 °C.

Ne stockez et n'utilisez pas la tronçonneuse par des températures inférieures à 0 °C !

Ne stockez jamais une tronçonneuse pendant plus de 30 jours sans procéder comme suit.

Suivez les consignes de nettoyage et de maintenance avant d'entreposer l'appareil !

#### 14.1 Stockage de la tronçonneuse

Si vous stockez une tronçonneuse pendant plus de 30 jours, celle-ci doit être préparée en conséquence. Dans le cas contraire, le carburant résiduel du carburateur s'évaporerait et laissera un résidu caoutchouteux. Cela pourrait compliquer le démarrage et nécessiter des travaux de réparation chers.

1. Retirez lentement le bouchon du réservoir de carburant (13) afin de laisser l'éventuelle pression existante s'échapper. Videz prudemment le réservoir.
2. Démarrez le moteur et laissez-le tourner jusqu'à ce que la tronçonneuse s'arrête, pour retirer le carburant du carburateur.



3. Laissez le moteur refroidir (env. 5 minutes).
4. Retirez la bougie d'allumage (34).
5. Versez l'équivalent d'une cuillère à café d'huile pour moteur 2 temps propre dans la chambre de combustion. Tirez plusieurs fois lentement sur le câble de démarrage (8) afin d'en recouvrir les composants internes. Remettez la bougie d'allumage (34).

Rangez la tronçonneuse dans un lieu sec, à bonne distance des éventuelles sources d'ignition, telles que des fours, chaudières à gaz, dessiccateurs de gaz, etc., et hors de portée des enfants.

Mettez toujours le couvercle du rail de guidage (21) en place si vous ne démontez pas la chaîne de scie (1) et le rail de guidage (2)

#### 14.2 Remise en service de la tronçonneuse

1. Retirez la bougie d'allumage (34).
2. Tirez fermement sur le câble de démarrage (8) pour retirer l'huile excédentaire de la chambre de combustion.
3. Nettoyez la bougie d'allumage (34) et veillez à ce que l'écart entre les électrodes de la bougie d'allumage (34) soit correct ou installez une nouvelle bougie d'allumage (34) en observant le bon écart entre les électrodes.
4. Préparez la tronçonneuse à l'utilisation.
5. Remplissez le réservoir en respectant les proportions de mélange huile-essence (1:40).

#### 14.3 Stockage du carburant

Les carburants ne peuvent être stockés que momentanément. Le carburant et les mélanges de carburants vieillissent sous l'effet de l'évaporation, en particulier sous l'influence des fortes températures. Par conséquent, le carburant et les mélanges de carburants stockés trop longtemps peuvent conduire à des problèmes de démarrage et endommager le moteur. N'achetez pas plus de carburant que ce que vous consommez en quelques mois. En cas de fortes températures, consommez le carburant mélangé sous 6 à 8 semaines.

**Le carburant ne doit être stocké que dans des conteneurs autorisés au sec, au frais et en toute sécurité !**

#### AVERTISSEMENT

##### Évitez tout contact avec la peau et les yeux !

Les produits à base d'huile minérale, ainsi que les huiles peuvent causer la disparition des graisses naturelles de la peau. En cas de contact répété et prolongé, la peau s'assèche. Il peut en résulter diverses maladies de peau. En outre, des réactions allergiques ont été reportées.

Tout contact de l'huile avec les yeux entraîne des irritations. En cas de contact avec les yeux, ceux-ci doivent être rincés à l'eau claire. Si l'irritation persiste, consultez immédiatement un médecin !

## 15. Élimination et recyclage

#### Remarques relatives à l'emballage



Les matériaux d'emballage sont recyclables. Merci d'éliminer les emballages de manière respectueuse de l'environnement.

**Pour connaître les possibilités d'élimination de l'appareil utilisé, adressez-vous aux autorités communales ou municipales.**

#### Carburants et huiles

- Vider le réservoir de carburant et le réservoir d'huile moteur avant d'éliminer l'appareil !
- Le carburant et l'huile moteur ne doivent pas être jetés avec les ordures ménagères ni dans les égouts, mais éliminés séparément !
- Les réservoirs de carburant et d'huile vides doivent être éliminés de manière respectueuse de l'environnement.

## 16. Dépannage

Panne	Cause possible	Remède
Le moteur ne démarre pas, ou démarre et s'arrête.	Mauvaise procédure de démarrage.	Observer les instructions de cette notice.
	Mauvais réglage du carburateur.	Faire régler le carburateur par un service après-vente agréé.
	Bougie d'allumage encrassée.	Nettoyer/régler ou remplacer la bougie d'allumage.
	Filtre à carburant obstrué.	Remplacer le filtre à carburant.
Le moteur démarre, mais n'atteint pas le plein régime.	Filtre à air encrassé	Retirer, nettoyer et remettre le filtre en place.
	Mauvais réglage du carburateur.	Faire régler le carburateur par un service après-vente agréé.
Le moteur toussote	Mauvais réglage du carburateur.	Faire régler le carburateur par un service après-vente agréé.
Aucune puissance sous charge	Mauvais réglage de la bougie d'allumage.	Nettoyer/régler ou remplacer la bougie d'allumage.
Le moteur fonctionne par à-coups	Mauvais réglage du carburateur.	Faire régler le carburateur par un service après-vente agréé.
Trop de fumée.	Mauvais mélange de carburant.	Observez le rapport de mélange de carburant adapté (1:40).
Aucune puissance sous charge	Chaîne émoussée ou détendue	Affûter ou remplacer la chaîne. Tendre la chaîne.
Le moteur s'arrête	Réservoir d'essence vide ou filtre à carburant mal positionné dans le réservoir	Remplir le réservoir d'essence. Remplir entièrement le réservoir d'essence ou positionner autrement le filtre à carburant dans le réservoir d'essence.
	Réservoir d'huile de chaîne vide	Remplir le réservoir d'huile de chaîne.
Graissage de chaîne insuffisant (la lame de pliage et la chaîne chauffent)	Passages d'huile obstrués	Nettoyer le trou d'huile dans la lame de pliage. Nettoyer la rainure de la lame de pliage.

## 17. Certificat de garantie

**Chère Cliente, Cher Client,**

Nos produits sont soumis à un contrôle de qualité très strict. Si cet appareil devait toutefois ne pas fonctionner impeccablement, nous en serions désolés. Dans un tel cas, nous vous prions de bien vouloir prendre contact avec notre service après-vente à l'adresse indiquée sur le bulletin de garantie ou vous adresser au marché de la construction le plus proche. Pour faire valoir une demande de garantie, ce qui suit est valable :

1. Les conditions de garantie règlent les prestations de garantie supplémentaires. Vos droits de garantie légaux ne sont en rien altérés par la garantie présente. Notre prestation de garantie est gratuite.
2. La prestation de garantie s'applique exclusivement aux défauts occasionnés par des vices de fabrication ou de matériau et est limitée à l'élimination de ces défauts ou encore au remplacement de l'appareil. Veuillez au fait que nos appareils, conformément à leur affectation, n'ont pas été construits pour être utilisés dans un environnement professionnel, industriel ou artisanal. Un contrat de garantie ne peut avoir lieu dès lors que l'appareil est utilisé à des activités dans des entreprises professionnelles, artisanales ou industrielles ou toute autre activité du même genre. Sont également exclus de notre garantie : les prestations de substitution de dommages dus aux transports, les dommages occasionnés par le non-respect des instructions de montage ou en raison d'une installation non conforme, du non-respect du mode d'emploi (comme par exemple le raccordement à une mauvaise tension réseau ou à un mauvais type de courant), les applications abusives ou non conformes (comme par exemple une surcharge de l'appareil ou encore l'emploi d'accessoires non homologués), le non-respect des prescriptions de maintenance et de sécurité, l'infiltration de corps étrangers dans l'appareil (comme par exemple du sable, des pierres ou de la poussière), l'emploi de la force ou l'influence extérieure (comme par exemple les dommages dus à une chute), ainsi que l'usure normale conforme à l'utilisation. Ceci est particulièrement valable pour les accumulateurs pour lesquels nous offrons toutefois une période de garantie de 12 mois.

Le droit à la garantie disparaît dès lors que des interventions ont lieu sur l'appareil.

3. Le délai de garantie s'élève à 3 ans et commence à la date de l'achat de l'appareil. Les demandes de garanties doivent être présentées avant écoulement du délai de garantie, dans les deux semaines suivant le moment auquel le défaut a été reconnu. Toute reconnaissance de demande de garantie après écoulement du délai de garantie est exclue. La réparation ou l'échange de l'appareil n'entraîne nullement une prolongation de la durée de garantie. Elle ne fait pas non plus commencer un nouveau délai de garantie, en raison de cette prestation, pour l'appareil ou pour toute autre pièce de rechange intégrée. Ceci est également valable lorsqu'un service après-vente sur place a été consulté.
4. Pour faire valoir votre droit à la garantie, contactez le service après-vente à l'adresse indiquée ci-dessous. Si vous formulez votre réclamation pendant la période de validité de la garantie, nous vous ferons parvenir un bon de retour qui vous permettra de nous retourner sans frais l'appareil défectueux. Décrivez la raison de la réclamation le plus précisément possible. Si le défaut de l'appareil est compris dans notre prestation de garantie, nous vous retournerons sans délai un appareil réparé ou encore un nouveau.

**Hotline du service (FR):**

00800 4003 4003

(0,00 €/Min.)

**Email du service (FR):**

service.FR@schepbach.com

**Adresse du service (FR):**

Schepbach France Strassburg  
2, Impasse Jean Millot  
FR - 6700 Strasbourg

**Service-hotline (BE):**

00800 4003 4003

(0,00 €/Min.)

**E-mailadres (BE):**

service.BE@schepbach.com

**Serviceadres (BE):**

Service Center Bruyninckx  
Guldendelle 30  
BE - 1930 Zventem (Nossegem)

**Service-Hotline (CH):**

00800 4003 4003

(0,00 €/Min.)

**Service-Email (CH):**

service.CH@schepbach.com

**Service-Adresse (CH):**

Klaus-Häberling AG  
Industriestraße 6  
CH - 8610 Uster



À l'adresse [www.lidl-service.com](http://www.lidl-service.com), vous pouvez télécharger ce manuel et bien d'autres, les vidéos de produit et les logiciels d'installation.

Le QR-Code vous permet d'accéder directement à la page de service Lidl ([www.lidl-service.com](http://www.lidl-service.com)) et d'ouvrir votre notice d'utilisation à l'aide du numéro d'article (IAN) 403506\_2204.

---

1.	Verklaring van de symbolen op het apparaat .....	76
2.	Opmerking van de gebruiker .....	77
3.	Inleiding .....	78
4.	Beschrijving van het apparaat .....	78
5.	Inhoud van de levering .....	79
6.	Beoogd gebruik .....	79
7.	Veiligheidsvoorschriften .....	79
8.	Technische gegevens .....	84
9.	Voor de ingebruikname .....	85
10.	Ingebruikname.....	87
11.	Toepassing.....	89
12.	Transport.....	91
13.	Reiniging en onderhoud .....	92
14.	Opslag.....	95
15.	Afvalverwerking en hergebruik .....	96
16.	Verhelpen van storingen.....	97
17.	Garantiebewijs.....	98
18.	Explosietekening.....	398
19.	Conformiteitsverklaring .....	400

## 1. Verklaring van de symbolen op het apparaat

	Alle waarschuwingen moeten worden gelezen, begrepen en in acht worden genomen.		Lees de volledige gebruikshandleiding voordat u het apparaat gaat gebruiken.
	Waarschuwing! Risico op terugslag (kickback). Pas op voor een terugslag van de kettingzaag en voorkom contact met het uiteinde van het zaagblad.		Het apparaat mag niet bij regen of in vochtige omgevingen worden gebruikt.
	Draag een veiligheidsbril. Draag gehoorbescherming.		Veiligheidshelm dragen.
	Draag altijd veiligheids- en anti-trillingshandschoenen als u het apparaat gebruikt.		Draag altijd snijbestendige veiligheidsschoenen met een antislipzool als u het apparaat gebruikt.
	Het is belangrijk beschermende kleding te dragen voor voeten, benen, handen en onderarmen.		Bedien de kettingzaag altijd met beide handen tegelijk. Werk niet met maar één hand aan de kettingzaag.
	Let op! Gebruik van de kettingzaag in combinatie met boomklimtechnieken. Voordat u met de werkzaamheden begint, moet u zich vertrouwd maken met alle werkinstructies!		Open vuur in de werkomgeving is verboden!
	Vulopening voor brandstof. Olie- en brandstofmengsel 1:40		Draairichting
	Olietankdop voor kettingolie		Instelling van de kettingrem: Witte pijl: kettingrem inactief Zwarte pijl: kettingrem actief
	Koudstarthendel (choke)		Kettingrem ontgrendelen
	Kettingrem activeren		Montagerichting van de zaagketting
	Instelling kettingsmering		Gegarandeerd geluidsvermogensniveau van het apparaat.

	<p>Let op! Warme onderdelen.</p>	 <p>push primer 6 times</p> <p>Druk 6x op de brandstofpomp (Primer).</p>
<p><b>GEVAAR</b></p>	<p>Signaalwoord voor aanduiding van een direct aanwezige, gevaarlijke situatie die, indien deze niet wordt vermeden, de dood of ernstige verwondingen tot gevolg heeft.</p>	
<p><b>WAARSCHUWING</b></p>	<p>Signaalwoord voor aanduiding van een mogelijke gevaarlijke situatie die, indien deze niet wordt vermeden, tot de dood of ernstige verwondingen kan leiden.</p>	
<p><b>VOORZICHTIG</b></p>	<p>Signaalwoord voor aanduiding van een mogelijke gevaarlijke situatie die, indien deze niet wordt vermeden, tot geringe of matige verwondingen kan leiden.</p>	
<p><b>AANWIJZING</b></p>	<p>Signaalwoord voor aanduiding van een mogelijke gevaarlijke situatie die, indien deze niet wordt vermeden, materiële schade aan producten of eigendommen tot gevolg kan hebben.</p>	

## 2. Opmerking van de gebruiker

### WAARSCHUWING:

**Lees deze gebruikshandleiding voorafgaand aan het eerste gebruik grondig door en volg altijd de veiligheidsvoorschriften! Deze boomonderhoudszaak mag alleen worden gebruikt door "mensen die ervaren zijn met boomonderhoudszagen en die aanvullend getraind zijn in boomklimtechnieken resp. het werken in werkkooien of hoogwerkbakken"!**

**Bewaar de gebruikshandleiding zorgvuldig!**

### Aanwijzing:

**Houd er rekening mee dat bepaalde nationale voorschriften het gebruik van de machine kunnen beperken.**



Deze boomonderhoudszaak is speciaal ontworpen voor boomverzorging en boomchirurgie. Alle werkzaamheden met de boomverzorgingszaak zijn speciaal ontworpen voor boomverzorging en boomchirurgie. Alle werkzaamheden met deze boomonderhoudszaak mogen alleen worden uitgevoerd door geschoolde mensen die ervaring zijn met boomonderhoudszagen!

### 3. Inleiding

#### FABRIKANT:

**Schepach GmbH**

Günzburger Straße 69

D-89335 Ichenhausen

#### GEACHTE KLANT,

Wij wensen u veel plezier en succes bij het werken met uw nieuwe apparaat.

#### AANWIJZING:

De fabrikant van dit apparaat is volgens de van kracht zijnde wet inzake productaansprakelijkheid niet aansprakelijk voor schade die aan dit apparaat of door dit apparaat ontstaan bij:

- ondeskundige behandeling,
- veronachtzaming van de instructies voor de bediening,
- reparaties door derden, niet geautoriseerde vakmensen
- inbouw en vervanging van niet-originele reserveonderdelen
- Dat niet conform de voorschriften is.

#### Let op:

Lees voor de montage en voor de inbedrijfstelling de complete tekst van de gebruikshandleiding door.

De gebruikshandleiding is bedoeld om het gemakkelijker te maken, uw apparaat te leren kennen en de beoogde toepassingsmogelijkheden van het apparaat te benutten.

De gebruikshandleiding bevat belangrijke aanwijzingen, hoe u met het apparaat veilig, vakkundig en economisch werkt en hoe u gevaren vermindert, reparatiekosten uitspaart, uitvaltijden vermindert en de betrouwbaarheid en levensduur van het apparaat verhoogt.

Aanvullend op de veiligheidsbepalingen van deze gebruikshandleiding moet u absoluut de voor de werking van het apparaat geldende voorschriften van uw land in acht nemen.

Bewaar de gebruikshandleiding bij het product in een plastic hoes, beschermd tegen vuil en vocht. De gebruikshandleiding moet door elke bediener van de machine voor aanvang van de werkzaamheden worden gelezen en zorgvuldig worden nageleefd.

Aan het apparaat mogen alleen personen werken, die voor het gebruik van het apparaat geïnstrueerd en over de daarmee verbonden gevaren geïnformeerd zijn. De vereiste minimumleeftijd moet aangehouden worden.

Naast de in deze gebruikshandleiding opgenomen veiligheidsvoorschriften en de bijzondere voorschriften van uw land moet u de algemeen erkende technische voorschriften in acht nemen voor de werking van machines van hetzelfde type.

Wij kunnen niet aansprakelijk worden gesteld voor ongevallen of schade, veroorzaakt door niet-naleving van deze handleiding of de veiligheidsvoorschriften.

### 4. Beschrijving van het apparaat

1. Zaagketting
2. Geleideblad
3. Voorste handbescherming
4. Brandstofpomp "Primer"
5. gashendel
6. Achterste handgreep
7. Gashendelblokkering
8. Starterkoord
9. Luchtfilterdeksel
10. Sluiting voor luchtfilterdeksel
11. Dop kettingolietank
12. Voorste handgreep
13. Dop brandstoftank
14. Koudstarthendel (choke)
15. Aan/uit-schakelaar
16. Bevestigingsmoeren
17. beschermkap van het kettingwiel
18. Geluiddemper
19. Ophanginrichting
20. Bougiesleutel / sleuvschroevendraaier
21. Deksel van het geleideblad
22. Mengvat
23. Kettingspan Schroef
24. klauwaanslag
25. Kettingvanger
26. Kettingspanstift
27. kettingwiel
28. geleidingsgroef
29. Bevestigingsbout
30. Tandwiel
31. Smeergat
32. Olieregelschroef
33. Luchtfilter
34. Bougie
35. Bougiestekker
36. Zuigkop



## 5. Inhoud van de levering

- Boomonderhoudszaag
- Zaagketting
- Geleideblad
- Deksel van het geleideblad
- Bougiesleutel / sleufschroevendraaier
- Mengvat

## 6. Beoogd gebruik

Dit apparaat is een bijzonder lichte en handige boomonderhoudszaag met een bovenhandgreep. De boomonderhoudszaag is speciaal ontwikkeld voor boomchirurgie en boomverzorging. Deze boomonderhoudszagen mogen daarom alleen worden gebruikt door "mensen die ervaren zijn met boomonderhoudszagen en die aanvullend getraind zijn in boomklimtechnieken resp. het werken in werkkooien of hoogwerkbakken". Voor incidenteel gebruik in dun hout, verzorging van fruitbomen, snoeien en afkorten.

De voorbereiding van brandhout mag alleen worden uitgevoerd zolang de houtdiameter niet groter is dan de snijlengte (20 cm).

Daarboven adviseren wij een conventionele kettingzaag met een grote greepafstand resp. zaaglengte.

Wie mogen het apparaat niet gebruiken?

Personen die niet bekend zijn met de gebruikshandleiding, kinderen, jongeren onder de 16 jaar en personen die onder invloed van alcohol, drugs of medicijnen, of moe of ziek zijn.

Het apparaat is uitsluitend bedoeld voor het zagen van hout. De fabrikant is niet aansprakelijk voor schade die het gevolg is van niet-beoogd gebruik of onjuist gebruik.

Het apparaat mag uitsluitend voor het beoogde doel worden gebruikt. Elk ander of verdergaand gebruik is niet volgens de voorschriften. De gebruiker/bediener en niet de fabrikant is aansprakelijk voor ontstane schade of elke vorm van letsel.

Ook de naleving van de veiligheidsvoorschriften, de montagehandleiding en de aanwijzingen in de gebruikshandleiding maken deel uit van het beoogd gebruik.

Personen die het apparaat bedienen of onderhouden, moeten ermee bekend zijn en op de hoogte zijn van de mogelijke gevaren.

Bovendien moeten de van kracht zijnde voorschriften ter voorkoming van ongevallen strikt worden nageleefd.

Andere algemene arbo-, gezondheids- en veiligheidsvoorschriften moeten in acht worden genomen.

De fabrikant is niet aansprakelijk voor wijzigingen die aan het apparaat worden aangebracht en de hieruit voortvloeiende schade.

Let erop dat onze apparaten volgens het beoogd gebruik niet voor bedrijfsmatige, ambachtelijke of industriële toepassingen zijn ontworpen. Wij aanvaarden geen aansprakelijkheid wanneer het apparaat in bedrijfsmatige, ambachtelijke of industriële ondernemingen of bij soortgelijke werkzaamheden wordt ingezet.

### **GEVAAR**

De fabrikant van dit apparaat is volgens de van kracht zijnde wet inzake productaansprakelijkheid niet aansprakelijk voor schade die aan dit apparaat of door dit apparaat ontstaan bij:

- inbouw en vervanging van niet-originele reserveonderdelen
- verwijderen of veranderen van de veiligheidscomponenten.

#### **6.1 Gebruik dat niet conform de voorschriften is**

- Dit apparaat is niet geschikt voor kapwerkzaamheden.
- Gebruik het geleideblad niet als hefboom om boomstammen of dergelijke te bewegen.
- Het zagen van hout met een diameter van meer dan 20 cm is niet toegestaan.

## 7. Veiligheidsvoorschriften

### 7.1 Algemene aanwijzingen

#### **WAARSCHUWING**

Wees altijd voorzichtig, let op waar u mee bezig bent en ga met gezond verstand te werk bij werkzaamheden met het apparaat. Gebruik het apparaat niet als u ziek of moe bent of onder invloed bent van drugs, alcohol of medicamenten. Een moment van onachtzaamheid bij het gebruik van het apparaat kan leiden tot ernstig letsel.

Voorkom verkeerd gebruik en pas de machine uitsluitend toe voor werk genoemd onder "Beoogd gebruik".

De gebruikshandleiding bevat belangrijke informatie over hoe u veilig en vakkundig met de kettingzaag kunt werken en hoe u gevaren kunt voorkomen.

Als er toch een verstopping optreedt tussen het snoeimateriaal en de zaagketting, dient u de machine onmiddellijk uit te schakelen. Wacht tot de zaagketting tot stilstand is gekomen. Verwijder de bougiestekker en trek snijbestendige handschoenen aan om de verstopping te verwijderen. Als het geleideblad (zaagblad) moet worden verwijderd, volg dan de aanwijzingen zoals beschreven in het hoofdstuk "Montage". Na het verwijderen van de verstopping en het opnieuw monteren, moet een testrun worden gemaakt.

Indien tijdens dit proces trillingen of mechanische geluiden worden waargenomen, stop dan met de werkzaamheden en neem contact op met een erkend servicecentrum. Mocht dit gevaar zich vaker voordoen, dan adviseren wij een nieuwe instructie.

- Lees voor de ingebruikname de gebruikshandleiding van uw apparaat en neem hierbij met name de veiligheidsvoorschriften in acht.
- De op het apparaat aangebrachte waarschuwings- en instructiebordjes geven belangrijke aanwijzingen voor een veilig gebruik.
- Naast de aanwijzingen in de gebruikshandleiding moeten de algemene veiligheids- en ongevallenpreventievoorschriften van de wetgever in acht worden genomen.
- Verpakkingsofies uit de buurt van kinderen houden. Er bestaat verstikkingsgevaar!
- Bij onvakkundig gebruik kunnen onvoldoende geïnformeerde gebruikers zichzelf en anderen in gevaar brengen. De gebruiker is verantwoordelijk voor derden.
- Controleer de werking van de gashendel voordat u met de werkzaamheden begint. Deze moet na het loslaten automatisch in de stationaire stand terugkeren.
- Werk niet langer dan 10 minuten achter elkaar. Wij adviseren, om tussen de bewerkingen steeds een pauze van 10 tot 20 minuten te nemen.
- Leen het apparaat alleen uit aan gebruikers die ervaring hebben met het apparaat. Overhandig daarbij de gebruikshandleiding.
- Bepaald zaagwerk vraagt om een speciale training en vaardigheden. Raadpleeg een specialist als u twijfelt of vragen heeft.
- Beginnende gebruikers moeten zich de eigenschappen en het gebruik van het apparaat laten uitleggen. Bezoek voor uw eigen veiligheid een door de overheid georganiseerde motorzaagcursus.
- Wanneer het apparaat niet wordt gebruikt, moet het zo worden bewaard dat niemand in gevaar wordt gebracht. Zorg dat onbevoegden er niet bij kunnen.
- De gebruiker is verantwoordelijk voor alle ongevallen en gevaren waarbij andere personen of hun eigendommen betrokken zijn.

- Kinderen, jongeren en personen met verminderde lichamelijke, zintuiglijke of geestelijke vermogens mogen de kettingzaag niet gebruiken. Er kan een uitzondering worden gemaakt voor jongeren vanaf 16 jaar in het kader van een opleiding en onder toezicht van een beroepsbeoefenaar.
- De elektrische ontsteking van het apparaat genereert een laag elektromagnetisch veld. Als u een pacemaker of een soortgelijk implantaat draagt, raadpleeg dan uw arts voordat u het apparaat gebruikt om gezondheidsrisico's te voorkomen.
- Let op: onjuist onderhoud, het gebruik van niet-conforme reserveonderdelen of het verwijderen of wijzigen van veiligheidsvoorzieningen kan materiële schade aan het apparaat en lichamelijke letsel van de persoon die ermee werkt tot gevolg hebben.

## 7.2 Persoonlijke beschermingsmiddelen (PBM)

### **GEVAAR**

Draag altijd persoonlijke beschermingsmiddelen (PBM) zoals oogbescherming (vizier of bril), hoofd-, hand-, been- en voetbescherming die geschikt zijn voor het klimmen in bomen!

- Draag een veiligheidshelm met gelaatbescherming, c.q. een veiligheidsbril en gehoorbescherming.
- Draag nauw aansluitende beschermende kleding met zaagbeschermingslaag.
- Draag antislip veiligheidsschoenen.
- Draag veiligheidshandschoenen.
- Voorkom het dragen van wijde kleding, deze kan verstrikt raken.
- Draag geen sjaal, halsdoek of das en ook geen sieraden!
- Maak bij lang haar gebruik van een haarnetje!
- Draag bij alle soorten werkzaamheden in het bos een veiligheidshelm. Deze geeft bescherming tegen vallende takken. Controleer de veiligheidshelm regelmatig op beschadigingen. De helm dient uiterlijk na 5 jaar te worden vervangen. Gebruik uitsluitend goedgekeurde veiligheidshelmen.
- De gelaatbescherming en/of de veiligheidsbril biedt bescherming tegen zaagsel en houtsplinters. Om oogletsel te voorkomen, dient bij het werken met het apparaat altijd een gelaatbeschermer of veiligheidsbril te worden gedragen.
- Draag altijd gehoorbescherming. Het door het apparaat voortgebrachte geluid kan gehoorschade veroorzaken.
- Draag stevige veiligheidshandschoenen van robuust materiaal, zoals leer.
- Draag een stofmasker bij het zagen van droog hout. Er kan zaagstof vrijkomen.
- Bij het werken in de boom, kan de gebruiker vallen. De gebruiker kan ernstig gewond raken of gedood worden. Draag uitrusting voor valbeveiliging.

### 7.3 Opslag en transport

- Schakel de kettingzaag vóór elk transport uit, ook bij korte afstanden. Activeer de kettingrem en plaats de kettingbeschermers.
- Gebruik de kettingbeschermers steeds tijdens transport en opslag.
- Beveilig de machine tegen omvallen tijdens transport (ook in voertuigen) om brandstofverlies, schade of letsel te voorkomen.
- Draag het apparaat alleen aan de voorste handgreep. Het geleideblad wijst daarbij naar achteren, weg van uw lichaam.
- Houd de hete geluiddemper uit de buurt van uw lichaam. Er bestaat gevaar voor brandwonden!
- Reinig en onderhoud de kettingzaag voordat u hem in de opslag weglegt.
- In de opslag moet het apparaat op een veilige en droge plaats kunnen liggen. Beveilig het ook tegen onrechtmatige toegang.

### 7.4 Veiligheid van de omgeving

- Nationale en/of plaatselijke voorschriften kunnen een tijds-limiet stellen aan het gebruik van luidruchtige, door een motor aangedreven apparatuur. Vraag uw lokale overheid hiernaar.
- Het apparaat mag niet in binnenruimten of andere slecht geventileerde ruimten worden gebruikt. Er bestaat gevaar voor verstikking door de giftige uitlaatgassen/smeeroliedampen.
- Voer werkzaamheden alleen uit bij daglicht.
- Werk ook niet bij ongunstige weersomstandigheden, zoals bijv. regen of wind. Dat geeft een verhoogd risico op ongelukken.
- Houd uw werkomgeving schoon en opgeruimd.
- Houd kinderen, andere personen en dieren voor en tijdens het werk op afstand. Als u wordt afgeleid, kunt u de controle over het apparaat verliezen.
- Controleer vóór het begin van de werkzaamheden of zich geen personen, dieren of voorwerpen in de gevarezone bevinden.
- Werk niet in de buurt van draadafrasteringen of in gebieden met losse oude draad.
- Houd een brandblusser gereed wanneer u werkt in een licht ontvlambare omgeving, zoals droog gras, enz. Er bestaat brandgevaar!

### 7.5 Brandstof bijvullen

- Benzine is zeer licht ontvlambaar. Houd bij het tanken afstand van open vuur en rook niet tegelijk. Er bestaat brandgevaar!

- Let erop dat u geen benzine morst. Benzine of kettingolie mag niet in de grond terecht komen. Zorg voor een geschikte onderlegger.
- Tank uitsluitend op een voldoende geventileerde plaats. Benzinedampen kunnen gemakkelijk ontvlammen of exploderen.
- Schakel de motor uit voordat u gaat tanken en laat het apparaat afkoelen. Als er benzine is gemorst, dient u de betreffende plekken direct te reinigen. Laat ook geen brandstof op uw kleding komen. Wissel deze anders direct.
- Voorkom ook huid- en oogcontact met benzine of smeerstoffen (olie).
- Adem benzinedampen/smeeroliedampen niet in.
- Let op voor ondichte plekken. Start de motor niet als er benzine uitloopt. Er bestaat gevaar door verbranding.
- Open het tankdeksel voorzichtig, zodat eventuele overdruk langzaam kan ontsnappen en er geen benzine uitspat.

### 7.6 Voor de ingebruikname

#### WAARSCHUWING

Voer inspecties altijd voor het in bedrijf stellen uit en alleen als de motor uitgeschakeld is.

Controleer altijd of het apparaat veilig kan worden gebruikt voordat u ermee gaat werken of wanneer het op de grond is gevallen.

Controleer of alle bewegende delen goed werken. Veel ongevallen ontstaan door slecht onderhouden gereedschap. Laat beschadigde onderdelen repareren door een bevoegde specialist.

Gebruik de kettingzaag en de accessoires alleen overeenkomstig deze aanwijzingen. Houd daarbij rekening met de omstandigheden waarin gewerkt wordt en de uit te voeren werkzaamheden. Het gebruik van gemotoriseerd gereedschap voor andere toepassingen dan het voorgeschreven gebruik kan leiden tot gevaarlijke situaties.

- Controleer regelmatig of de kettingrem naar behoren functioneert (voorste handbescherming, zie afb. 2).
- Controleer of het geleideblad goed gemonteerd is.
- Controleer of de zaagketting goed gespannen is. Neem de aanwijzingen inzake het smeren, de kettingspanning en het vervangen van accessoires in acht. Een ondeskundig gespannen of gesmeerde ketting kan breken of meer kans op terugslag opleveren.
- Houd snijgereedschap scherp en schoon. Slijp regelmatig bij en vervang versleten onderdelen op tijd. Zorgvuldig onderhouden snijgereedschap met scherpe snijranden klemt minder snel vast en is makkelijker te gebruiken.

- Controleer de gashendel en de gashendelblokkering op soepele werking. De gashendel moet naar de uitgangspositie terugveren.
- Controleer of er voldoende brandstof en kettingsmeerolie in de tank zitten.
- Let erop dat de handgrepen droog, schoon en vrij van olie en vuil zijn.
- Werk nooit helemaal alleen. In geval van nood moet er iemand in de buurt zijn.
- Gebruik de kettingzaag alleen als u op veilige, stabiele en vlakke grond staat. Voorkom een onnatuurlijke lichaamshouding. Een gladde of een onstabiele ondergrond (bijv. op een ladder) kan leiden tot evenwichtsverlies of verlies van de controle over de kettingzaag. Zorg voor een stabiele positie en zorg ervoor dat u altijd stabiel staat. Hierdoor kunt u de kettingzaag in onverwachte situaties beter controleren.
- Werk niet op een boom met de kettingzaag. Bij gebruik op een boom bestaat gevaar voor letsel.
- Zaag nooit boven schouderhoogte.
- Houd de kettingzaag altijd vast met uw rechterhand op de achterste greep en uw linkerhand op de voorste handgreep. Het vasthouden van de kettingzaag in een omgekeerde werkpositie verhoogt het risico op letsel en mag niet worden gebruikt.
- Houd u bij een draaiende kettingzaag alle lichaamsdelen uit de buurt van de zaagketting. Controleer voor het starten van de kettingzaag of de zaagketting niets raakt. Tijdens werkzaamheden met een kettingzaag kan een moment onoplettendheid er toe leiden dat bekleding of lichaamsdelen door de zaagketting worden vastgegrepen.
- Schakel de kettingzaag direct uit bij merkbare veranderingen in het gedrag van het apparaat.
- Als de kettingzaag stenen, spijkers of andere harde voorwerpen heeft geraakt, moet u de motor onmiddellijk uitschakelen en zowel de zaagketting als het geleideblad op beschadigingen controleren.
- Laat de kettingzaag niet vallen, stoot hem niet tegen obstakels en gebruik het geleideblad nooit als hefboom.
- Zaag alleen in hout met de kettingzaag.
- Let er tijdens het zagen op dat een onder spanning staande tak, zal terugveren. Als de spanning in de houtvezels vrijkomt, kan de onder spanning staande tak de gebruiker raken en/of de controle over de kettingzaag laten verliezen.
- Wees met name voorzichtig bij het zagen van kreupelhout en jonge boompjes. Het dunne materiaal kan in de zaagketting verstrikt raken en op u slaan of u uit evenwicht brengen.

## 7.7 Trillingen

### WAARSCHUWING

Voorkom de risico's van trillingen, bijvoorbeeld het risico van wittevingerziekte (doorbloedingsstoornissen) door frequente werkpauses in te lassen waarbij u bijvoorbeeld uw handen tegen elkaar wrijft.

- Draag altijd veiligheidshandschoenen en let op warme handen.
- Zorg er altijd voor dat de ketting scherp is.
- Las regelmatig pauses in.

## 7.8 Voorzorgsmaatregelen tegen terugslag

### WAARSCHUWING

Let bij het werken op de terugslag van het apparaat. Er bestaat gevaar voor letsel. U voorkomt terugslag door voorzichtig en met de juiste zaagtechniek te werk te gaan.

- In sommige gevallen kan contact met het uiteinde van het zaagblad een onverwachte, naar achteren gerichte reactie veroorzaken, waarbij het geleideblad in de richting van de gebruiker omhoog wordt geslagen.
- Terugslag kan optreden als het uiteinde van het zaagblad een voorwerp raakt of als de zaagketting in de sneed wordt vastgeklemd door omhoogend hout.
- Als de zaagketting aan de bovenrand van het geleideblad is vastgeklemd, kan de kettingzaag al snel onverwacht terugslaan in de richting van de gebruiker.
- Als de zaagketting aan de onderkant van het geleideblad vastgeklemd, kan de kettingzaag al snel ongecontroleerd uit de werkrichting en het hout in worden getrokken.
- Wees uiterst voorzichtig wanneer u de ketting van de kettingzaag gebruikt om verder te zagen in een zaagsnede die al is begonnen.
- Zaag geen takken of stukken hout die tijdens het zagen van positie kunnen veranderen of waarbij de zaagsnede zich tijdens het zagen sluit.
- Elk van deze reacties kan ertoe leiden dat u de controle over de zaag verliest en mogelijk ernstig gewond raakt. Vertrouw niet uitsluitend op de veiligheidsvoorzieningen die in de kettingzaag zijn ingebouwd. Tref als gebruiker van de kettingzaag diverse maatregelen om zonder gevaar voor ongevallen of letsel te kunnen werken.

Een terugslag is het gevolg van een onjuist of verkeerd gebruik. Dit kan door passende voorzorgsmaatregelen worden voorkomen, zoals hieronder beschreven:

- Houd de kettingzaag met beide handen vast, waarbij de duimen en vingers de grepen van de kettingzaag omsluiten. Breng lichaam en armen in een houding waarbij u de terugslagkrachten kunt opvangen. Als de juiste maatregelen worden getroffen, kan de gebruiker de terugslagkrachten beheersen. Laat de kettingzaag nooit los.
- Neem geen onnatuurlijke lichaamshouding aan en zaag niet boven schouderhoogte. Dit voorkomt onopzettelijk contact met het uiteinde van het zaagblad en zorgt voor een betere controle van de kettingzaag in onverwachte situaties.
- Gebruik ter vervanging altijd geleidebladen en zaagkettingen die door de fabrikant zijn voorgeschreven. Onjuiste vervangende geleidebladen en zaagkettingen kunnen breuk van de zaagketting en/of terugslag tot gevolg hebben.
- Volg de aanwijzingen van de fabrikant voor het slijpen en onderhouden van de zaagketting. Te lage dieptebegrenzers verhogen de kans op terugslag.
- Zaag niet met het uiteinde van het zaagblad. Er bestaat gevaar voor terugslag. (Afb. 7)
- Controleer of er zich geen spijkers of metalen delen in het zaag- of snoeigebied bevinden. Let goed op voor met name spijkers of ijzeren delen rondom het zaag- of snoeigebied. Wees ook voorzichtig bij het zagen van hardhout waarbij de ketting vast kan komen te zitten. Hierdoor kan er terugslag optreden.
- Begin op vol vermogen te zagen en houd de kettingzaag altijd op maximum snelheid tijdens het zagen.
- Zorg ervoor dat er geen voorwerpen op de grond liggen, waar u over kunt struikelen.

## 7.9 Werkomstandigheden en -techniek

- Werk alleen bij goed zicht en goede lichtomstandigheden. Let in het bijzonder op bij gladheid, nattigheid, ijs en sneeuw (risico op uitglijden). Bij vers geschild hout (schors) is er een verhoogd risico op uitglijden.
- Werk nooit op een onstabiele ondergrond. Let op obstakels in het werkgebied, struikelgevaar. Zorg er steeds voor dat u stevig staat.
- Zaag nooit boven schouderhoogte.
- Zaag nooit staand op ladders.
- Klim nooit met de kettingzaag in een boom en voer hier geen werkzaamheden uit als er geen geschikte beveiligings-systemen zijn voor mens en machine. Wij raden aan om altijd aan vanaf een werkplatform te werken.
- Werk niet te ver voorovergebogen.
- Geleid de kettingzaag zodanig dat geen enkel lichaamsdeel zich in het verlengde van het draaibereik van de zaagketting bevindt.
- Zaag alleen hout met de kettingzaag.

- Raak de grond niet als de zaagketting loopt.
- Maak het gebied van de zaagsnede vrij van vreemde voorwerpen, zoals zand, stenen, spijkers, enz. Vreemde voorwerpen beschadigen de zaag en kunnen gevaarlijke terugslag (kickback) veroorzaken of worden weggeslingerd.
- Gebruik bij het zagen van gezaagd hout een veilige ondersteuning (indien mogelijk een zaagbok). Het hout mag niet met de voet of door een andere persoon worden vastgehouden.
- Rondhout moet worden vastgezet zodat het niet kan verdraaien.
- Werk nooit zonder klauwaanslag, de kettingzaag kan de bediener naar voren trekken. Gebruik de klauwaanslag om boomstammen of dikke takken door te zagen. Het gebruik van de klauwaanslag verhoogt de werkveiligheid, vermindert de persoonlijke belasting bij het werken en vermindert trillingen.
- Voor het vellen of afkorten moet de boomklauw (de klauwaanslag) op het te zagen hout worden geplaatst. Ook voor het doorzagen van dikke takken wordt aanbevolen om de boomklauw te gebruiken.
- Plaats bij het afkorten altijd eerst de boomklauw en zaag dan pas in het hout terwijl de zaagketting loopt. De zaag wordt daarbij met de achterste greep omhooggetrokken en met de beugelgreep geleid. De boomklauw fungeert als draaipunt. De positie wordt aangepast met lichte druk op de beugelgreep. Trek de kettingzaag daarbij iets terug. Breng de boomklauw dieper aan en trek de achterste greep weer omhoog.
- Wees voorzichtig bij het zagen van versplinterd hout. Er kunnen afgezaagde stukken hout worden meegesleurd (gevaar voor letsel).
- De kettingzaag kan bij het zagen met de bovenzijde van het blad naar de gebruiker worden gestoten wanneer de zaagketting vastklemt. Daarom moet indien mogelijk met de onderzijde van het blad worden gezaagd, omdat de kettingzaag dan van het lichaam af naar het hout wordt getrokken.
- Hout waar spanning op staat moet altijd eerst worden gezaagd aan de zijde waar drukkrachten op staan. Daarna kan pas de eindsnede worden gemaakt aan de zijde waar trekkrachten op staan. Zo wordt voorkomen dat het zaagblad vastklemt.
- Als in de boom wordt gewerkt, kan de kettingzaag vallen. Mensen kunnen ernstig gewond raken en er kan materiële schade ontstaan. Kettingzaag boven de ophanginrichting borgen.
- Voordat de zaagketting in de verwerkingszone wordt geplaatst, kan deze zijwaarts wegslijpen of kan de kettingzaag gaan stuiteren.

## ⚠ LET OP

### Verhoogde terugslagrisico!

Om tijdens het "doorzagen" volledige controle te behouden, reduceert u tegen het einde van de zaagsnede de aanpersdruk, zonder de stevige greep aan de handgrepen van de kettingzaag losser te maken. Let op dat de zaagketting niet in aanraking komt met de grond. Wacht na het voltooiën van de zaagsnede tot de zaagketting tot stilstand is gekomen voordat u de kettingzaag verwijdert. Zet de motor van de kettingzaag altijd uit, voordat u van boom naar boom gaat.

## ⚠ WAARSCHUWING

Bij langdurige werkzaamheden kan door trillingen in de handen van de gebruiker storingen in de doorbloeding (witte vinger syndroom) ontstaan.

Het witte vinger syndroom is een vaatziekte waarbij kleine bloedvaten in de vingers en tenen acuut verkrampen. De desbetreffende lichaamsdelen worden dan niet meer voldoende van bloed voorzien waardoor ze een bleke kleur krijgen. Het frequente gebruik van trillende apparaten kan zenuwbeschadigingen veroorzaken bij personen met een verminderde doorbloeding (bijv. rokers, diabetici).

Als u ongewone beperkingen bespeurt, stopt u direct de werkzaamheden en raadpleegt u een arts.

Neem de volgende aanwijzingen in acht om de risico's te beperken:

- Houd uw lichaam en met name uw handen bij koud weer warm.
- Las regelmatig pauzes in en beweeg hierbij de handen om de doorbloeding te bevorderen.
- Zorg voor zo min mogelijke trillingen van de machine door regelmatig onderhoud en stevig bevestigde delen op het apparaat.

### 7.10 Restrisico's

## ⚠ GEVAAR

### GEVAAR VOOR LETSEL!

Aanraking met de zaagketting kan leiden tot dodelijk snijletsel. Nooit met de handen in een draaiende zaagketting grijpen.

### GEVAAR VOOR TERUGSLAG!

Terugslag kan leiden tot dodelijk snijletsel.

### GEVAAR VOOR BRANDWONDEN!

De ketting en het geleideblad worden warm tijdens het gebruik.

**Het apparaat is vervaardigd volgens de stand van de techniek en de erkende veiligheidstechnische regels. Toch kan tijdens de werkzaamheden sprake zijn van enkele restrisico's.**

Bovendien kunnen er ondanks alle getroffen voorzieningen verborgen restrisico's bestaan.

De restrisico's kunnen tot een minimum worden beperkt wanneer aan de "Veiligheidsvoorschriften" en het "Gebruik volgens de voorschriften" wordt voldaan en de gebruikshandleiding in zijn geheel wordt opgevolgd.

## 8. Technische gegevens

Machine zonder zaagblad	
Lengte x breedte x hoogte.....	270 x 230 x 240 mm
Gewicht zonder tankvulling, zonder zaaggarnituur ca.....	3,4 kg
Gewicht zonder tankvulling, met zaaggarnituur ca.....	3,8 kg
Tank voor kettingsmeerolie .....	0,16 l
Inhoud brandstoftank.....	0,23 l
Olie- en brandstofmengsel.....	1:40
snijlengte .....	20 cm
Zwaardlengte .....	30 cm
Automatische kettingsmering .....	Ja
Kettingsteek.....	3/8" (9,525 mm)
Kettingdikte .....	1,27 mm
Kettingtype.....	3/8LP-40
Aantal tanden aandrijfkettingwiel .....	6
Tandsteek aandrijfkettingwiel .....	3/8"
Zaagbladtype .....	AP10-40-509P
Kettingsnelheid max. ....	21 m/s
Motor .....	1-cilinder 2-takt luchtgekoeld
Motorinhoud.....	25,4 cm <sup>3</sup>
Max. motorvermogen volgens ISO 7293.....	0,7 kW
Stationair toerental n <sub>0</sub> .....	3300 ±300 min <sup>-1</sup>
Maximumtoerental met snijgarnituur.....	11000 min <sup>-1</sup>
Bougie.....	L8RTC

**Het geluidsdruk-niveau moet afhankelijk van het gebruik en de uit te voeren taak worden verlaagd tot een niveau dat geen negatieve effecten voor de gezondheid van de gebruiker heeft. Het geluidsdruk-niveau op de werkplek kan boven 80 dB uitkomen. In dat geval zijn geluidsbeschermingmaatregelen voor de gebruiker vereist (bijvoorbeeld het dragen van gehoorbeschermers).**

## Beperk de geluidsproductie en trillingen tot een minimum!

- Gebruik uitsluitend goed functionerende apparaten.
- Onderhoud en reinig het apparaat regelmatig.
- Pas uw werkwijze aan het apparaat aan.
- Zorg dat het apparaat niet overbelast raakt.
- Laat het apparaat eventueel controleren.
- Schakel het apparaat uit als deze niet in bedrijf is.
- Draag handschoenen.

Gemeten geluidsdrumniveau $L_{pA}$ .....	99,2 dB
Onzekerheid $K_{pA}$ .....	3 dB
Gegarandeerd geluidsvermogensniveau $L_{WA}$ .....	113 dB
Gemeten geluidsvermogensniveau $L_{WA}$ .....	108,7 dB
Onzekerheid $K_{WA}$ .....	3 dB

Trilling, voorste handgreep .....	8,98 m/s <sup>2</sup>
Trilling, achterste handgreep .....	8,03 m/s <sup>2</sup>
onzekerheid .....	1,5 m/s <sup>2</sup>

## Draag gehoorbescherming.

Het effect van lawaai kan gehoorverlies zijn.

De opgegeven geluidsemissiewaarden zijn gemeten volgens een standaardtestmethode en kunnen worden gebruikt om apparaten met elkaar te vergelijken.

De aangegeven geluidsemissiewaarden kunnen ook worden gebruikt als eerste indicatie van de belasting.

## Waarschuwing:

- De geluidsemissies kunnen van de opgegeven waarde afwijken wanneer het apparaat daadwerkelijk wordt gebruikt. Dit is afhankelijk van de wijze waarop het apparaat wordt gebruikt en de aard van het werkstuk dat wordt bewerkt.
- Probeer om de belasting zo gering mogelijk te houden. Zo kan bijvoorbeeld de werktijd worden beperkt. Hierbij moeten alle aspecten van de bedrijfscyclus in aanmerking worden genomen (zoals de tijd dat het apparaat uitgeschakeld is en de tijd dat deze ingeschakeld is, maar onbelast draait).

## 9. Voor de ingebruikname

1. Open de verpakking en haal het apparaat er voorzichtig uit.
2. Verwijder het verpakkingsmateriaal evenals de verpakings- en transportbeveiligingen (indien voorhanden).
3. Controleer of de inhoud van de levering volledig is.
4. Controleer het apparaat en de hulpstukken op transportschade.

5. Bewaar de verpakking indien mogelijk tot na het verstrijken van de garantietijd.
6. Verwijder de beknopte handleiding van het starterkoord (8).

## LET OP

Het apparaat en de verpakkingsmaterialen zijn geen kinderspeelgoed! Kinderen mogen niet met plastic zakken, folies en kleine onderdelen spelen! Er bestaat gevaar voor inslikken en verstikkingsgevaar!

## 9.1 Montage van het geleideblad (2) en de zaagketting (1)

### WAARSCHUWING

#### Gevaar voor letsel!

Draag altijd veiligheidshandschoenen als u de zaagketting (1) aanraakt. Letselgevaar door de scherpe snijtanden!

Gebruik alleen goedgekeurde combinaties van zaagketting (1) en geleideblad (2) (zie hoofdstuk "Goedgekeurde snijtoebehoren").

Voer de montage altijd uit bij uitgeschakelde motor.

#### Aanwijzing

Een nieuwe zaagketting (1) rekt op en moet vaker worden opgespannen. Controleer de kettingspanning regelmatig en stel deze zo nodig bij.

Al naar gelang de slijtage kan het geleideblad (2) worden gekeerd.

1. Leg de kettingzaag op een vlakke en stabiele ondergrond neer.
2. Trek de voorste handbescherming (3) tot aan de aanslag naar achteren om de kettingrem te ontgrendelen. (Afb. 2)
3. Verwijder beide bevestigingsmoeren (16) met de bougieleutel (20).
4. Verwijder de beschermkap van het kettingwiel (17).
5. Draai de kettingspanschroef (23) linksom (tegen de klok in) totdat de kettingspanpen (26) zich tegen de rechteraanslag bevindt (zie afb. 3). Gebruik hiervoor de sleufschroevendraaier (20).
6. Schuif de sleufopening van het geleideblad (2) over de twee uitstekende bevestigingsbouten (29).
7. Leg de zaagketting (1) over de vertanding van het kettingwiel (27). Voer de zaagketting (1) nauwkeurig in het geleideblad (2). In het uiteinde van het geleideblad (2) bevindt zich een tandwiel (30). Zorg dat de tanden van de zaagketting (1) hier in vallen. (afb. 6 en 18)

8. Trek enigszins aan het geleideblad (2), om de zaagketting (1) licht voor te spannen.
9. Plaats de beschermkap van het kettingwiel (17) weer terug. Let erop dat de binnenliggende kettingspanstift (26) in het passende boorgat van het geleideblad (2) zit. Verstel evt. de kettingspanschroef (23) met de sleufschroevendraaier (20).
10. Schroef beide bevestigingsmoeren (16) er met de hand weer op. Draai ze echter nog niet helemaal vast. De bevestigingsmoeren (16) worden pas vastgedraaid nadat de zaagketting (1) is gespannen.

## 9.2 Zaagketting (1) spannen en controleren

### WAARSCHUWING

Doel veiligheidshandschoenen aan! Letselgevaar door de scherpe snijtanden!

Controleer de kettingspanning regelmatig voor elk gebruik.

1. Voor het spannen moet u de twee bevestigingsmoeren (16) iets losdraaien met de bougiesleutel (20).
2. Draai de kettingspanschroef (23) met de sleufschroevendraaier (20) rechtsom voor een hogere spanning.
3. Draai beide bevestigingsmoeren (16) stevig vast met de bougiesleutel (20).
4. De zaagketting (1) moet ook aan de onderkant van het blad goed aansluiten. Controleer of de zaagketting (1) (bij ontgrendelde kettingrem, trek de voorste handbescherming (3) naar achter) met de hand over het geleideblad (2) kan worden getrokken.

Voer de controles altijd uit vóór het starten en met uitgeschakelde motor.

### AANWIJZING

Een nieuwe zaagketting (1) rekt op en moet vaker worden opgespannen.

### 9.3 Brandstof mengen

Der motor moet met een brandstofmengsel van benzine en motorolie worden gebruikt.

### WAARSCHUWING

Voorkom direct contact van brandstof met de huid en adem geen brandstofdamp in.

Gebruik uitsluitend een mengsel van loodvrije benzine (min. RON 95) en speciale 2-taktmotorolie (JASO FD/ISO - L - EGD). Meng het brandstofmengsel volgens de brandstofmengtabel. Doe de juiste hoeveelheid benzine en 2-taktolie in de meegeleverde mengfles (22) (zie "Brandstofmengtabel"). Schud de mengfles (22) vervolgens goed door.

### 9.3.1 Brandstofmengtabel

**Mengmethode: 40 delen benzine op 1 deel olie**

**Benzine .....2-taktolie**  
**0,5 liter..... 12,5 ml**

## 9.4 Brandstof bijvullen (afb. 8)

### WAARSCHUWING

Vul de brandstof alleen bij als de motor is uitgeschakeld en afgekoeld. Er bestaat brandgevaar!

1. Reinig altijd het gebied rondom de dop van de brandstoftank (13) voor het bijvullen, zodat er geen viezigheid in de tank terecht kan komen. Gebruik hiervoor een droge, niet-pluizende doek.
2. Leg het apparaat op zijn kant, zo dat de dop van de brandstoftank (13) naar boven wijst.
3. Draai de tankdop (13) linksom en maak hem open. De tankdop (13) is via een verlieszekering verbonden met de brandstoftank en kan zo niet vallen.
4. Vul de brandstoftank met het brandstofmengsel. Mors geen brandstof en maak de brandstoftank niet helemaal tot aan de rand vol.
5. Veeg gemorste brandstof direct op.
6. Draai de tankdop (13) rechtsom om de tank af te sluiten.

### AANWIJZING

Controleer elke keer na het bijvullen van brandstof ook de kettingolie.

### 9.5 Brandstof aftappen

**Leeg de brandstoftank alleen in de buitenlucht of in goed geventileerde ruimtes. Let erop dat er geen brandstof in de grond loopt (om het milieu te beschermen). Gebruik een geschikte ondergrond.**

1. Houd een opvangreservoir onder de brandstoftank.
2. Schroef de tankdop (13) van de brandstoftank los en verwijder deze.
3. Tap het benzine-/oliemengsel volledig af.
4. Schroef de tankdop (13) er weer handvast op.



## 9.6 Kettingolie bijvullen (afb. 8)

### **WAARSCHUWING**

Vul de kettingzaagolie alleen bij als de motor is uitgeschakeld en afgekoeld. Er bestaat brandgevaar!

Werk nooit zonder kettingsmering! Bij een droog lopende zaagketting (1) wordt het zaaggarnituur in korte tijd onherstelbaar beschadigd.

Controleer voor het werk altijd de kettingsmering.

### **AANWIJZING**

Gebruik uitsluitend kettingzaagolie. Liefst een biologisch afbreekbare soort. Gebruik geen afgewerkte olie, motorolie enz. Controleer ook tijdens het werken of de kettingsmering goed werkt.

1. Reinig altijd het gebied rondom de dop van de kettingolietank (11) voor het bijvullen, zodat er geen viezigheid in de kettingolietank terecht kan komen. Gebruik hiervoor een droge, niet-pluizende doek.
2. Leg het apparaat zo op zijn kant, dat de dop van de kettingolietank (11) naar boven wijst.
3. Draai de kettingolietankdop (11) linksom en maak hem open. De dop van de kettingolietank (11) is via een verlieszekering verbonden met de kettingolietank en kan daardoor niet vallen.
4. Vul de biologische kettingolie in de kettingolietank. Mors geen kettingolie tijdens het bijvullen en maak de kettingolietank niet helemaal tot aan de rand vol.
5. Veeg gemorste kettingolie direct op.
6. Draai de dop van de kettingolietank (11) rechtsom, dus met de klok mee, om de tank af te sluiten.

## 10. Ingebruikname

### **VOORZICHTIG**

Neem de wettelijke voorschriften inzake geluidsbescherming in acht.

Controleer het apparaat voor elke ingebruikname op:

- Dichtheid van brandstofsysteem
- perfecte staat en volledigheid van de veiligheidsvoorzieningen en de snij-inrichting
- stevige bevestiging van alle schroefverbindingen
- Soepel lopen van alle bewegende delen

## Werkinstructies

Maakt u zich voor het gebruik vertrouwd met de omgang met de kettingzaag.

### 10.1 Starten van de motor

#### **LET OP**

Ga ten minste 3 meter weg van de plaats waar getankt wordt, voordat u de motor start (afb. 9).

Trek het starterkoord (8) er altijd recht uit. Houd de greep van het starterkoord (8) vast tot de starterkoord (8) weer opwikkelt. Laat het starterkoord (8) nooit terugschieten.

Laat de gashendel (5) onmiddellijk na het starten van de motor los. Zorg ervoor dat het motortoerental weer stationair is voordat u de kettingrem loslaat (duw de voorste handbescherming (3) naar achteren).

Trek de koude starthendel (choke) (14) alleen uit voor het starten.

#### 10.1.1 Starten bij koude motor

### **WAARSCHUWING**

Schakel de kettingrem voor elke ingebruikname in (voorste handbescherming (3) naar voren drukken).

#### **LET OP**

Laat nooit het starterkoord (8) terugschieten. Dit kan tot schade leiden.

1. Verwijder de beschermkap van het geleideblad (21).
2. Plaats de kettingzaag op een stabiele en vlakke ondergrond. De zaagketting (1) mag hierbij de grond niet raken.
3. Druk de voorste handbescherming (3) naar voren tot deze vastklikt. De zaagketting (1) werd door de kettingrem geblokkeerd.
4. Druk 6x op de brandstofpomp "Primer" (4). (afb. 1)
5. Schakel de aan/uit-schakelaar (15) op "ON". (afb. 1)
6. Trek de koudstarthendel (choke) (14) aan. (Afb. 10.2)
7. Houd de kettingzaag bij de voorste handgreep (12) vast en trek het starterkoord (8) er langzaam tot aan de eerste weerstand uit.
8. Trek nu starterkoord (8) snel aan tot de motor start. Als de motor niet start, herhaalt u de werkwijze. Zo lang de koudstarthendel (choke) (14) is uitgetrokken, start de motor slechts kort en gaat daarna weer uit.

- Zodra de motor is uitgegaan, bedient u de gashendelblokkering (7) en de gashendel (5) gelijktijdig. De koudstarthendel (choke) (14) springt automatisch in de bedrijfsstand "warme start". (Afb. 10.1)
- Trek nu opnieuw snel aan het starterkoord (8) tot de motor start.

Als de motor ook na meerdere pogingen niet aanspringt, dient u het hoofdstuk "Verhelpen van storingen" te raadplegen.

## AANWIJZING

Bij hoge buitentemperaturen kan het zijn dat ook bij een koude motor zonder starthendel (choke) (14) moet worden gestart!

- Ontgrendel de kettingrem door de voorste handbescherming (3) naar achteren te trekken. (Afb. 2)
- VOORZICHTIG!** De kettingrem is nu gelost. Als de gashendel (5) samen met de gashendelblokkering (7) wordt bediend, start de zaagketting (1).

### 10.1.2 Starten bij warme motor

**(Het apparaat stond minder dan 15 à 20 minuten stil.)**

#### **WAARSCHUWING**

Schakel de kettingrem voor elke ingebruikname in (voorste handbescherming (3) naar voren drukken).

- Druk de voorste handbescherming (3) naar voren tot deze vastklikt. De zaagketting (1) werd door de kettingrem geblokkeerd.
- Schakel de aan/uit-schakelaar (15) op "ON".
- De koudstarthendel (choke) (14) moet voor het starten van de warme motor niet worden aangetrokken.
- Houd de kettingzaag bij de voorste handgreep (12) vast en trek het starterkoord (8) er langzaam tot aan de eerste weerstand uit.
- Trek nu hard en snel aan het starterkoord (8). Het apparaat moet na 1-2 keer trekken starten. Als het apparaat na 6 keer aantrekken nog altijd niet start, herhaalt u de werkwijze onder "Starten bij koude motor".

## 10.2 Motor uitzetten

### 10.2.1 Nood-uit stappen

Mocht het nodig zijn om het apparaat direct te stoppen, zet u hier voor de aan/uit-schakelaar (15) op "OFF". (afb. 1)

## 10.2.2 Normaal uitschakelen

- Laat de gashendel (5) los. De motor loopt nu stationair.
- Zet vervolgens de aan/uit-schakelaar (15) op "OFF". (afb. 1)

## 10.3 Bedrijf bij stationair draaien

#### **LET OP**

Als de motor stationair loopt, moet de zaagketting (1) stilstaan.

## AANWIJZING

Als de zaagketting (1) stationair mee beweegt of als de motor bij het wegnemen van gas uit zichzelf uitgaat, moet een instelling aan de carburateur worden gewijzigd (zie hoofdstuk "Onderhoud van de carburateur").

- Til de kettingzaag op.
- Houd met de linkerhand de voorste handgreep (12) vast.
- Houd met de rechterhand de achterste handgreep (6) vast. Hierbij liggen de handpallen op de gashendelblokkering (7) en met uw wijsvinger bedient u de gashendel (5).
- Na hernieuwde bediening van de gashendel (5) loopt de motor bij stationair toerental.
- Laat de motor kort warmlopen.

## 10.4 Kettingsmering controleren en instellen

#### **LET OP**

- Werk nooit zonder kettingsmering! Bij een droog lopende zaagketting (1) wordt het zaagarnituur in korte tijd onherstelbaar beschadigd.
- Controleer voor het werk altijd de kettingsmering.

### Aanwijzing

Gebruik uitsluitend kettingzaagolie, bij voorkeur biologisch afbreekbaar. Gebruik geen afgewerkte olie, motorolie enz.

Houd de kettingzaag terwijl hij loopt, bij gemiddelde snelheid, boven een afgezaagde boomstomp of een geschikte ondergrond. Als de smering voldoende is, vormt zich een lichte olielag op de boomstomp of op de ondergrond.

- Indien nodig kan de kettingsmering worden verhoogd of verlaagd door middel van de olieregelschroef (32) (afb. 11).
- Gebruik de meegeleverde sleufschroevendraaier (20) hiervoor als volgt:
  - Druk eerst en draai dan de olieregelschroef (32) rechtsom voor minder kettingsmering.
  - Druk eerst en draai dan de olieregelschroef (32) linksom voor meer kettingsmering.

## 10.5 Kettingrem controleren

### WAARSCHUWING

De kettingrem moet elke ingebruikname worden gecontroleerd. De kettingrem remt de zaagketting (1) bij terugslag onmiddellijk af.

1. Let erop dat de voorste handbescherming (3) schoon is en gemakkelijk beweegt.
2. Start de kettingzaag en breng de zaagketting (1) op volle snelheid (vol gas).
3. Bedien de voorste handbescherming (3) terwijl de zaagketting (1) loopt. De kettingrem moet de zaagketting (1) bij maximale snelheid afremmen en blokkeren.

### WAARSCHUWING

Als het motortoerental te lang wordt opgevoerd terwijl de kettingrem is geblokkeerd, raken de motor en de kettingaandrijving beschadigd.

Als de zaagketting (1) desondanks beweegt, moet u contact opnemen met de klantenservice.

## 11. Toepassing

### 11.1 Snoeien

- Pas er altijd voor op dat takken kunnen terugspringen.
- Sta niet op de stam bij het verwijderen van takken.
- Zaag niet met het uiteinde van het zaagblad. (Afb. 7)
- Zaag nooit meerdere takken tegelijk.
- Ondersteun de kettingzaag bij het verwijderen van takken zoveel mogelijk met de klauwaanslag (24).
- Denk eraan dat de kettingzaag aan het einde van de zaagsnede onder zijn eigen gewicht kan doorzwaaien. De zaag ondervindt geen steun meer in de snede. Houd de zaag goed vast en zorg voor tegendruk.
- Zorg ervoor dat u zelf stevig, stabiel en veilig staat bij het snoeien en verwijderen van takken.

#### 11.1.1 Snoeien in deelstukken

Kort lange of dikke takken in voordat u de laatste eindsnede maakt. De zaagketting (1) kan anders gemakkelijk vastgeklemd raken.

#### 11.1.2 Onder spanning staand hout bewerken

Het is zeer belangrijk dat de juiste volgorde wordt aangehouden bij het bewerken van hout dat onder spanning staat. Anders kan de zaagketting (1) vastklemmen of kan er een terugslag optreden.

Hout waar spanning op staat moet altijd eerst worden ingezaagd aan de zijde waar drukkrachten op staan. Daarna kan pas de eindsnede worden gemaakt aan de zijde waar trekkrachten op staan. (Afb. 24)

Zo wordt voorkomen dat de zaagketting (1) vastklemt.

### LET OP

#### Materiële schade!

Liggend hout mag de grond aan de onderkant van de zaagsnede niet raken, anders kan de zaagketting (1) beschadigd raken.

#### terugstoot

- Als de zaagketting (1) aan de bovenrand van het geleideblad (2) is vastgeklemd, kan de kettingzaag al snel onverwacht terugslaan in de richting van de gebruiker.

#### Naar binnen trekken

- Als de zaagketting (1) aan de onderkant van het geleideblad (2) vastgeklemd, kan de kettingzaag al snel ongecontroleerd uit de werkrichting en het hout in worden getrokken.

#### Veilig werken

- Houd het apparaat in goede staat om verwondingen te voorkomen.
- Controleer het apparaat als het is gevallen op significante schade of defecten.
- Gebruik het apparaat niet als u op een ladder staat of op een bewegende ondergrond.
- Laat u niet tot een spontane, ondoordachte snede verleiden. Daarmee kunt u zichzelf en anderen in gevaar brengen.
- Wissel regelmatig van werkpositie. Door de trillingen kan langdurig gebruik van het apparaat leiden tot problemen met de bloedsomloop in de handen. U kunt de gebruiksduur echter door geschikte handschoenen of regelmatige pauzes verlengen. Denk er ook aan dat een persoonlijke aanleg tot slechte doorbloeding; lage buitentemperaturen of grote griepkrachten bij het werken de gebruiksduur verkorten.

### 11.2 Houten stam is naar beneden gebogen

1. Zaag eerst ontlastingsnede 1 (ca. 1/3 van de stamdiаметer) aan de zijde waar drukkrachten op staan.
2. Voer vervolgens eindsnede 2 uit (ca. 2/3 van de stamdiаметer) aan de trekzijde.

### 11.3 Houten stam is naar boven gebogen

1. Zaag eerst ontlastingsnede 1 (ca. 1/3 van de stamdiаметer) aan de zijde waar drukkkrachten op staan.
2. Voer vervolgens eindsnede 2 uit (ca. 2/3 van de stamdiаметer) aan de trekzijde.

### 11.4 Boomverzorgingszaag gebruiken voor snoeien van bomen in combinatie met boomklimtechnieken

Deze bijlage bevat passende werkmethode(n) om het gevaar voor verwondingen door het gebruik van kettingzagen voor de boomverzorging te beperken wanneer op hoogte wordt gewerkt met een touw en een draagriem. Hoewel het kan dienen als richtlijn en opleidingsdocumentatie, mag het niet worden beschouwd als vervanging voor een formele opleiding. De in deze bijlage gegeven richtlijnen dienen slechts als voorbeeld van een goede praktijk.

Er kunnen nationale of andere voorschriften gelden die strenger zijn.

De gebruiker van een kettingzaag voor boomverzorging die op hoogte werkt met een touw en draagriem, mag nooit alleen werken. Een grondwerker, opgeleid in de juiste noodprocedures, moet aanwezig zijn om te helpen.

De gebruiker moet worden opgeleid in algemene veilige klim- en werkpositioneringstechnieken en moet worden uitgerust met een draagriem, touw, stroppen, karabijnhaken en andere apparatuur voor het verkrijgen van veilige en correcte werkposities voor zowel zichzelf als de zaag.

Nationale wetten en voorschriften moeten altijd strikt worden nageleefd.

Deze bijlage heeft geen betrekking op technieken om de door de kettingzaag afgezaagde takken onder controle te houden, en evenmin op de reeds behandelde punten inzake veilig gebruik.

#### 11.4.1 Algemene eisen

De gebruiker van een kettingzaag voor boomverzorging die op hoogte werkt met een touw en draagriem, mag nooit alleen werken. Een grondwerker, opgeleid in de juiste noodprocedures, moet aanwezig zijn om te helpen.

De gebruiker moet worden opgeleid in algemene veilige klim- en werkpositioneringstechnieken en moet worden uitgerust met een draagriem, touw, stroppen, karabijnhaken en andere apparatuur voor het verkrijgen van veilige en correcte werkposities voor zowel zichzelf als de zaag.

### 11.4.2 Voorbereiding voor het gebruik van de boomonderhoudszaag

De kettingzaag moet door de grondwerker worden gecontroleerd, van brandstof worden voorzien, worden gestart en worden opgewarmd, en vervolgens worden uitgeschakeld voordat hij naar de gebruiker in de boom wordt gehesen.

De kettingzaag moet worden voorzien van een geschikte strop, zodat hij aan de draagriem van de gebruiker kan worden bevestigd (afb. 13):

- Maak de strop vast aan de ophanginrichting (19) die zich aan de achterkant van de zaag bevindt (afb. 12).
- Er moeten geschikte karabijnhaken worden aangebracht om de zaag indirect (d.w.z. via de strop) en direct (d.w.z. aan de ophanginrichting (19) van de kettingzaag) aan de draagriem van de gebruiker te kunnen bevestigen.
- Zorg ervoor dat de kettingzaag goed vastzit wanneer hij naar de gebruiker wordt getrokken (afb. 14).
- Zorg ervoor dat de kettingzaag aan de draagriem is bevestigd voordat u hem losmaakt van de hijskabel.

De mogelijkheid om de kettingzaag rechtstreeks aan de draagriem te bevestigen, vermindert het risico op beschadiging van de apparatuur bij het verplaatsen ervan in de boom. De kettingzaag moet altijd worden uitgeschakeld als hij rechtstreeks aan de draagriem is bevestigd.

De kettingzaag mag alleen worden bevestigd aan de aanbevolen ophangmiddelen aan de draagriem. Deze kunnen in het midden (voor of achter) of aan de zijanten zijn. Bevestig de kettingzaag waar mogelijk in het midden achteraan de draagriem om hem uit de buurt van klimtouwen te houden en het gewicht centraal onder de ruggengraat van de gebruiker te ondersteunen.

Als de kettingzaag van de ene naar de andere ophanginrichting wordt verplaatst, moet de gebruiker garanderen dat de kettingzaag in de nieuwe positie wordt vastgezet voordat hij van de vorige ophanginrichting wordt losgemaakt.

### 11.5 Gebruik van de kettingzaag in de boom

Uit een analyse van ongevallen met deze kettingzagen tijdens boomverzorgingswerkzaamheden blijkt dat de belangrijkste oorzaak het onjuiste gebruik van de kettingzaag met één hand is. Bij de meeste ongevallen nemen de gebruikers geen veilige werkpositie aan waarbij zij de kettingzaag bij beide handgrepen kunnen vasthouden, wat resulteert in een verhoogd gevaar voor verwondingen door het volgende:

- Ontbrekende stevige greep bij de terugslag van de kettingzaag.

- Gebrek aan controle over de kettingzaag, waardoor deze gemakkelijker in contact kan komen met klimtouwen en met het lichaam van de gebruiker (vooral de linkerhand en -arm).
- Verlies van controle door een onveilige werkpositie en daardoor contact met de kettingzaag (onverwachte bewegingen tijdens het werken met de kettingzaag).

### 11.6 Veilige werkpositie voor tweehandig gebruik

Om de kettingzaag met beide handen vast te kunnen houden, moet de gebruiker altijd proberen een veilige werkpositie aan te nemen en de zaag als volgt geleiden:

- op heuphoogte bij het zagen van horizontale stukken.
- ter hoogte van de maag bij het zagen van verticale stukken.

Als de gebruiker dicht bij de verticaal lopende stam werkt met geringe zijdelingse krachten op de werkpositie, kan een stevige voetgreep voldoende zijn voor een veilige werkpositie. Zodra de gebruiker zich echter van de stam verwijderd, moet hij aanvullende maatregelen nemen om de toenemende zijwaartse krachten te verminderen of tegen te gaan, bijv. door het hoofdtouw om te leiden via een extra ophanginrichting of door gebruik te maken van een verstelbare strop die van het harnas naar een extra ophanginrichting leidt (afb. 15 en 16).

#### 11.6.1 De boomonderhoudszaag in de boom starten

Bij het starten van de kettingzaag in de boom, moet de gebruiker:

- de kettingrem voor het starten bedienen (duw de voorste handbescherming (3) naar voren).
- de kettingzaag bij het starten links of rechts van het lichaam houden:
  - De kettingzaag aan de linkerzijde vasthouden met de linkerhand op de voorste handgreep en de kettingzaag van het lichaam wegduwen terwijl het starterkoord in de rechterhand wordt gehouden.
  - De kettingzaag aan de rechterzijde vasthouden met de rechterhand op een van de beide handgrepen en de kettingzaag van het lichaam wegduwen terwijl het starterkoord in de linkerhand wordt gehouden.

De kettingrem moet altijd in werking worden gesteld voordat u de draaiende kettingzaag aan het draagtouw zakken.

Alvorens lastige zaagwerkzaamheden uit te voeren, moet de gebruiker er altijd voor zorgen dat de kettingzaag over voldoende brandstof beschikt.

#### 11.6.2 Gebruik van de kettingzaag met één hand

Gebruikers mogen kettingzagen voor boomverzorging niet met één hand gebruiken in onstabiele werkposities of in plaats van een handzaag voor het afzagen van takuiteinden met een kleine diameter.

Kettingzagen voor boomverzorging mogen alleen met één hand worden gebruikt wanneer

- a. het voor de gebruikers niet mogelijk is een werkpositie te verkrijgen die gebruik met twee handen mogelijk maakt.
- b. het noodzakelijk is de werkpositie met één hand te borgen.
- c. de kettingzaag wordt gebruikt in een volledig uitgeschoven stand, loodrecht op en uit het verlengde van het lichaam van de gebruiker.

Gebruikers mogen nooit:

- met het terugslaggebied aan het uiteinde van het geleideblad (2) van de kettingzaag zagen.
- zich vasthouden aan de tak waar ze aan zagen.
- proberen, vallende delen te vangen.

#### 11.6.3 Een vastzittende kettingzaag losmaken

Als de kettingzaag tijdens het zagen bekneld raakt, moet de gebruiker:

1. Schakel de kettingzaag uit en bevestig hem stevig aan de binnenkant van de boom (d.w.z. in de richting van de boomstam) of aan een aparte gereedschapslijn.
2. Trek de kettingzaag uit de inkeping terwijl u de tak zo ver optilt als nodig is,
3. Gebruik zo nodig een handzaag of een tweede kettingzaag om de vastzittende kettingzaag los te maken door ten minste 30 cm van de vastzittende kettingzaag af te zagen.

Ongeacht of een handzaag of een kettingzaag wordt gebruikt om een vastzittende kettingzaag te bevrijden, moeten de zaagsneden om de kettingzaag te bevrijden altijd aan de buitenkant (in de richting van de uiteinden van de takken) worden gemaakt, zodat de kettingzaag niet met de afgezaagde delen wordt meegenomen en de situatie nog ingewikkelder maakt.

## 12. Transport

- Gebruik steeds de beschermkap van het geleideblad (21) voor transport.
- Schakel de kettingzaag vóór elk transport uit, ook bij korte afstanden. Beveilig de machine tegen omvallen tijdens transport (ook in voertuigen) om brandstofverlies, schade of letsel te voorkomen.

- Activeer de kettingrem (voorste handbescherming (3) naar voren duwen).
- Draag het apparaat alleen aan de voorste handgreep (12). Het geleideblad (2) wijst daarbij naar achteren, weg van uw lichaam.
- Houd de hete geluiddemper (18) uit de buurt van uw lichaam. Er bestaat gevaar voor brandwonden! (Afb. 23)

## 13. Reiniging en onderhoud

### ⚠ WAARSCHUWING

#### **Gevaar voor letsel!**

Schakel het apparaat voor reinigingswerkzaamheden altijd uit en trek de bougiestekker (35) eruit.  
(zie hoofdstuk 13.4 Onderhoud van de bougie (34)).

#### **Aanwijzing**

Na elk gebruik moet het apparaat grondig worden gereinigd. Voer de reinigings- en onderhoudswerkzaamheden alleen uit, zoals in deze gebruikshandleiding is aangegeven. Overige werkzaamheden mogen uitsluitend worden uitgevoerd door deskundig vakpersoneel. Onderhoudswerkzaamheden moeten regelmatig worden uitgevoerd (zie het hoofdstuk "Onderhoudsintervallen").

### 13.1 Reinigen van de motoreenheid

### ⚠ WAARSCHUWING

#### **Gevaar voor brandwonden!**

Raak geen hete geluiddempers, cilinders of koelribben aan.

- Houd de veiligheidsvoorzieningen, ventilatiesleuven en de motorbehuizing zo stof- en vuilvrij mogelijk. Blaas deze delen met perslucht onder lage druk uit.
- Reinig het apparaat regelmatig met een vochtige doek en wat afwasmiddel. Let op dat er geen water in het apparaat terecht komt.

### 13.2 Reinigen van het luchtfilter (33) (afb. 17)

Vervuilde luchtfilters verminderen het motorvermogen door een te geringe luchttoevoer naar de carburateur.

Regelmatige controle is daarom absoluut noodzakelijk. Het luchtfilter (33) moet regelmatig worden gecontroleerd en indien nodig worden gereinigd.

Bij erg stoffige lucht moet het luchtfilter (33) vaker worden gecontroleerd.

1. Maak de sluiting van het luchtfilterdeksel (10) los door deze linksom te draaien.
2. Verwijder het luchtfilterdeksel (9).
3. Haal het luchtfilter (33) eruit.

4. Reinig het luchtfilter (33) door het uit te kloppen of uit te blazen (met perslucht).

De montage volgt in omgekeerde volgorde.

### ⚠ LET OP

Luchtfilters (33) nooit met benzine of brandbare oplosmiddelen reinigen.

### 13.3 Reinigen van de kettingaandrijving

### ⚠ WAARSCHUWING

#### **Gevaar voor letsel!**

Draag altijd veiligheidshandschoenen als u de zaagketting (1) aanraakt. Letselgevaar door de scherpe snijtanden!

#### **Aanwijzing**

Reinig de aandrijving van de ketting na elk gebruik.

1. Leg de kettingzaag op een vlakke en stabiele ondergrond neer.
2. Trek de voorste handbescherming (3) tot aan de aanslag naar achteren om de kettingrem te ontgrendelen. (Afb. 2)
3. Draai de kettingspanschroef (23) met de sleufschroevendraaier (20) linksom om de spanning te verlagen.
4. Verwijder beide bevestigingsmoeren (16) met de bougiesleutel (20).
5. Verwijder de beschermkap van het kettingwiel (17).
6. Maak de zaagketting (1) voorzichtig los van het geleideblad (2) en van het kettingwiel (27).
7. Verwijder het geleideblad (2). Reinig het met een kwast.
8. Reinig nu grondig rondom de kettingaandrijving en de beschermkap van het kettingwiel (17) met behulp van een kwast of door middel van uitblazen (met perslucht).

De montage volgt in omgekeerde volgorde.

### 13.4 Onderhoud bougies (34) (afb. 19 / 20)

1. Demonteer het luchtfilter (33) zoals beschreven onder 13.2 "Reiniging van het luchtfilter (33)".
2. Trek de bougiestekker (35) los door deze naar links en rechts te draaien en er gelijktijdig aan te trekken. De bougiestekker (35) uitsluitend aan de stekker vasthouden en trekken. Trek nooit aan de kabel!
3. Maak de bougie (34) met de meegeleverde bougiesleutel (20) los.
4. De montage volgt in omgekeerde volgorde.

Elektrodenafstand = 0,6 mm - 0,7 mm (afstand tussen de elektroden, waar de vonk overspringt). Controleer de bougie (34) voor de eerste keer na 10 bedrijfsuren op verontreiniging en reinig deze eventueel met een koperdraadborstel. Daarna de bougie (34) elke 50 bedrijfsuren onderhouden.

### 13.5 Onderhoud van de kettingsmering

- Zie het hoofdstuk "Kettingsmering controleren en afstellen".

### 13.6 Onderhoud van de carburateur instellingen

- Als de zaagketting (1) bij stationair draaien beweegt of als de motor bij het wegnemen van gas vanzelf uitgaat, moet de carburateur opnieuw worden afgesteld.

### Aanwijzing

Laat de instellingen van de carburateur (bijv. het stationair toerental) uitsluitend door gekwalificeerd vakpersoneel wijzigen, om schade aan de motor te voorkomen.

### 13.7 Onderhoud van het geleideblad (2)

- Verwijder eventueel opgetreden bramen in de rand van het geleideblad met behulp van een metaalvijl.
- Reinig de groef van het geleideblad (2) met behulp van een kwast of met perslucht (afb. 21). Vervang het geleideblad (2) zodra de geleidingsgroef (28) versleten is.
- Keer het geleideblad (2) na elk gebruik om, zodat het gelijkmatig slijt.
- Controleer het tandwiel (30) aan het uiteinde van het geleideblad (2) op soepele werking. Smeer het evt. in met een lagerolie. Laat wat lagerolie in de smeropening (31) druppelen. (afb. 21)

### 13.8 Kettingrem controleren

Zie hoofdstuk 10.5 "Kettingrem controleren"

## WAARSCHUWING

### GEVAAR VOOR TERUGSLAG!

Een niet-functionerende kettingrem verhoogt het risico van terugslag.

Controleer de kettingrem regelmatig.

Een functionerende kettingrem is essentieel voor uw veiligheid.

### 13.9 Zaagketting (1) spannen en controleren

Zie hoofdstuk 9.2 "Zaagketting (1) spannen en controleren"

### 13.10 Zaagketting (1) slijpen en onderhouden

## WAARSCHUWING

### Gevaar voor letsel!

Draag altijd veiligheidshandschoenen als u de zaagketting (1) aanraakt. Letselgevaar door de scherpe snijtanden!

### Aanwijzing

Een goed verzorgde en geslepen zaagketting (1) vermindert de lichamelijke belasting, slijtage en zorgt voor een goed zaagresultaat.

Reinig, verzorg en slijp de zaagketting (1) regelmatig.

Controleer de zaagketting (1) regelmatig op scheuren en beschadigde klinknagels.

Er kan een slijpbok in het slijpbokgat worden bevestigd voor stevige grip tijdens het slijpen.

Gebruik uitsluitend speciale rondvijlen voor zaagkettingen met een Ø van 4,8 mm (3/16") voor de meegeleverde zaagketting (1).

In een slijppakket vindt u gedetailleerde informatie over het slijpen.

Als alternatief kunt u ook een elektrisch kettingslijpparaat gebruiken. Volg ook dan de aanwijzingen van de fabrikant op. Als u twijfelt over het resultaat van het werk, moet de zaagketting (1) worden vervangen.

Laat het slijpen van de zaagketting (1) eventueel uitvoeren door een gespecialiseerde werkplaats.

- Benodigde accessoires (niet bij de levering inbegrepen):
  - Zaagketting ronde vijl Ø 4,8 mm (3/16")
  - Platte vijl
  - Dieptebegrenzingsmeter
- Vijl alleen in voorwaartse richting om materiaal te verwijderen.
- Vijl met een slijphoek van ca. 25° bij een stijging van 10° ten opzichte van het geleideblad (2).
- Controleer de afstand van de dieptebegrenzing met een dieptemeter.
- De juiste afstand van de dieptebegrenzer moet 0,6 mm (0,024") bedragen.

### 13.11 Onderhoudsintervallen

Voor een lange levensduur en om schade te voorkomen en de volledige werking van de veiligheidsvoorzieningen te waarborgen, moeten regelmatig onderstaande onderhoudswerkzaamheden worden uitgevoerd. Garantieclaims worden alleen erkend als deze werkzaamheden regelmatig en correct zijn uitgevoerd. Als ze niet worden nageleefd, bestaat er risico op ongevallen!

Gebruikers van kettingzagen mogen alleen onderhouds- en verzorgingswerkzaamheden uitvoeren die in deze gebruikshandleiding staan beschreven.

Verdergaande werkzaamheden mogen uitsluitend door een gespecialiseerde werkplaats worden uitgevoerd.

Algemeen	Complete boomonderhouds-zaag	Uitwendig reinigen en op beschadigingen controleren. In geval van schade vakkundig laten repareren.
	Zaagketting	Regelmatig slijpen, tijdig vervangen.
	Kettingrem	Regelmatig in de gespecialiseerde werkplaats laten controleren
	Geleideblad	Omdraaien, zodat de belaste loopvlakken gelijkmatig slijten. Tijdig vervangen.
Voor elke ingebruikname	Zaagketting	Op beschadigingen en scherpte controleren. Kettingtensioning controleren.
	Geleideblad	Op beschadigingen controleren.
	kettingsmering	Controle van de werking
	Kettingrem	Controle van de werking
	Aan/uit schakelaar, gashendelblokkering, gashendel	Controle van de werking
Tankdop voor brandstof en kettingolie	Op lekkages controleren.	
Dagelijks	Luchtfilter	Reinigen
	Geleideblad	Op beschadigingen controleren, olietoevoeropeningen reinigen
	Zaagbladhouder	Reinigen, in het bijzonder de oliegeleidingsgroef
	Stationair toerental	Controleren (ketting mag niet meelopen)
Wekelijks	Ventilatorhuis	Reinigen, om een probleemloze koelluchttoevoer te garanderen
	Bougie	Controleren en zo nodig vervangen
	Geluiddemper	Op verstopping controleren
	Kettingvanger	Op beschadigingen controleren, zo nodig vervangen
	Bouten en moeren	Toestand en stevige bevestiging controleren
Ieder kwartaal	Zuigkop Brandstof, kettingolietank	Vervangen Reinigen
Opslag	Complete boomonderhouds-zaag	Uitwendig reinigen en op beschadigingen controleren In geval van schade vakkundig laten repareren
	Zaagketting en zaagblad	Demonteren, reinigen en licht inoliën Geleidingsgroef van het geleideblad reinigen
	Brandstof, kettingolietank	Leegmaken en reinigen
	Carburateur	Leegdraaien



### 13.12 Belangrijke aanwijzing bij reparatie

Als het apparaat voor reparatie geretourneerd wordt, moet het apparaat vanwege veiligheidsredenen vrij van olie en benzine geretourneerd worden aan het servicestation.

### 13.13 Service-informatie

Let op dat bij dit product de volgende delen onderhevig zijn aan gebruiksmatige of natuurlijke slijtage, resp. de volgende delen als verbruiksmateriaal wordt gebruikt.

Slijtdelen\*: Zaagketting, geleiderail, kettingolie, motorolie, klauwaslans, kettingvanger, bougie, luchtfilter, brandstoffilter, kettingoliefilter

\* niet persé in de leveringsomvang opgenomen!

### Goedgekeurde snijgereedschappen

Zaagketting

Kangxin 3/8LP40.....7910100739

Oregon 91PO40X.....3910102032

Geleideblad

Kangxin AP10-40-509P .....7910100740

Oregon 100SDEA041 .....7910100744

## 14. Opslag

De bougiesleutel / schroevendraaier met platte kop (20) kan om te bewaren aan de zijkant van de beschermkap van het geleideblad (21) worden geplaatst.

Gebruik steeds de beschermkap van het geleideblad (21) voor opslag van de zaag.

Reinig en onderhoud het apparaat voordat u het in de opslag weglegt, zie hiervoor het hoofdstuk "Reiniging en onderhoud".

Leeg de olie- of brandstoftank volledig.

### WAARSCHUWING

Verwijder de benzine niet in gesloten ruimtes, in de buurt van vuur of bij het roken. Gasdampen kunnen explosies of brand veroorzaken.

- Start de motor en laat hem net zo lang lopen totdat de resterende benzine is verbruikt.

Sla het apparaat en de accessoires op een donkere, droge en vorstvrije plaats en voor kinderen ontoegankelijke plaats op. De optimale opslagtemperatuur ligt tussen 5 en 30 °C.

Bewaar en gebruik de kettingzaag niet bij temperaturen onder 0 °C!

Berg de kettingzaag nooit langer op dan 30 dagen zonder de volgende stappen te doorlopen.

Neem de reinigings- en onderhoudsinstructies voor het opslaan van het apparaat in acht!

### 14.1 De kettingzaag opbergen

Als u een kettingzaag langer dan 30 dagen opbergt, moet u hem daarop voorbereiden. Anders zal de in de carburateur aanwezige, resterende brandstof verdund worden en kan een rubberachtig bezinsel achterblijven. Hierdoor wordt het starten moeilijker en zullen er kostbare reparatiewerkzaamheden moeten worden uitgevoerd.

1. Verwijder langzaam de dop van de brandstoftank (13) om eventuele druk in de tank te laten ontsnappen. Leeg de tank voorzichtig.
2. Start de motor en laat deze draaien tot de kettingzaag stopt om het brandstof uit de carburateur te verwijderen.
3. Laat de motor afkoelen (ca. 5 minuten).
4. Verwijder de bougie (34).
5. Doe 1 theelepeltje schoon 2-taktolie in de verbrandingsruimte. Trek nu meerdere keren langzaam aan het starterkoord (8) om de interne componenten te voorzien van een laagje olie. Plaats de bougie (34) weer terug.

Berg de kettingzaag op een droge locatie op, uit de buurt van mogelijke ontstekingsbronnen, zoals bijv. een oven, gasgestookte heetwaterboiler, gasdroger etc. en buiten het bereik van kinderen.

Monteer altijd de beschermkap van het geleideblad (21) als de zaagketting (1) en het geleideblad (2) niet gedemonteerd zijn

### 14.2 De kettingzaag opnieuw in gebruik nemen

1. Verwijder de bougie (34).
2. Trek vervolgens snel aan het starterkoord (8) om overtollige olie uit de verbrandingsruimte te verwijderen.
3. Reinig de bougie (34) en let op de juiste elektrodenafstand op de bougie (34); of plaats een nieuwe bougie (34) met de juiste elektrodenafstand.
4. Bereid de kettingzaag voor gebruik voor.
5. Vul de tank met het juiste olie- en brandstofmengsel (1:40).

### 14.3 Brandstofopslag

Brandstoffen kunnen slechts beperkt worden opgeslagen. Brandstof en brandstofmengsels verouderen door verdunning met name onder invloed van hoge temperaturen. Te lang opgeslagen brandstof en brandstofmengsels kunnen hierdoor startproblemen en schade aan de motor veroorzaken. Koop zo veel brandstof als dat u gedurende enkele maanden nodig hebt. Bij hogere temperaturen moet de gemengde brandstof binnen 6-8 weken worden verbruikt.

**Brandstof alleen in toegestane reservoirs drogen, koel en veilig opslaan!**

#### WAARSCHUWING

##### Huid- en oogcontact vermijden!

Minerale olieproducten, ook oliën, ontvetten de huid. Bij herhaald en langdurig contact droogt de huid uit. Dit kan verschillende huidaandoeningen tot gevolg hebben. Bovendien zijn er allergische reacties bekend.

Oogcontact met olie veroorzaakt irritaties. In geval van contact met de ogen moet u direct het desbetreffende oog met schoon water spoelen. Bij aanhoudende irritatie direct een arts raadplegen!

## 15. Afvalverwerking en hergebruik

#### Aanwijzingen op de verpakking



De verpakkingsmaterialen zijn recyclebaar. Verpakkingen milieuvriendelijk afvoeren.

**Informatie over het afvoeren van versleten apparatuur kunt u opvragen bij uw gemeente.**

#### Brandstoffen en oliën

- Voor het afvoeren van het apparaat moeten de brandstoftank en het motorreservoir worden gelegegd!
- Brandstof en motorolie horen niet bij het huishoudelijke afval of in het riool, maar moeten worden ingezameld resp. gescheiden worden afgevoerd!
- Lege olie- en brandstoftanks moet milieuvriendelijk worden afgevoerd.

## 16. Verhelpen van storingen

Storing	Mogelijke oorzaak	Oplossing
De motor start niet, of start maar slaat niet aan.	Verkeerde startprocedure.	Neem de aanwijzingen in deze handleiding in acht.
	Verkeerd ingesteld carburateurmengsel.	Laat de carburateur afstellen door een erkende servicedienst.
	Vervuilde bougie.	Reinig de bougie, stel deze af of vervang deze.
	Verstopt brandstoffilter.	Vervang het brandstoffilter.
De motor start, maar draait niet met vol vermogen.	Vuil luchtfilter	Verwijder het filter, reinig het en plaats het weer terug.
	Verkeerd ingesteld carburateurmengsel.	Laat de carburateur afstellen door een erkende servicedienst.
Motor sputtert	Verkeerd ingesteld carburateurmengsel.	Laat de carburateur afstellen door een erkende servicedienst.
Geen vermogen bij belasting	Verkeerd afgestelde bougie.	Reinig de bougie, stel deze af of vervang deze.
De motor draait onregelmatig	Verkeerd ingesteld carburateurmengsel.	Laat de carburateur afstellen door een erkende servicedienst.
Overmatige rookontwikkeling.	Onjuist brandstofmengsel.	Gebruik het juiste brandstofmengsel (verhouding 1:40).
Geen vermogen bij belasting	Ketting stomp of ketting los	Ketting slijpen of nieuwe ketting plaatsen. Ketting spannen.
De motor sterft af	Benzinetank leeg of brandstoffilter in tank onjuist geplaatst	Benzinetank vullen. Benzinetank volledig vullen of het brandstoffilter anders in de benzinetank plaatsen.
Onvoldoende kettingsmering (het zaagblad en de ketting worden heet)	Kettingolietank leeg	Vul de kettingolietank.
	Oliekanalen verstopt	Maak de olieboring in het zaagblad schoon. Maak de groef van het zwaard schoon.

## 17. Garantiebewijs

### Geachte klant,

onze producten zijn aan een strenge kwaliteitscontrole onderhevig. Mocht dit apparaat echter ooit niet naar behoren functioneren, spijt het ons ten zeerste en vragen u zich tot onze servicedienst onder het adres vermeld op dit garantiebewijs te wenden. Wij staan ook graag telefonisch tot uw dienst via het hieronder vermelde servicetelefoonnummer. Voor vorderingen in verband met garantie geldt het volgende:

- Deze garantievoorwaarden regelen bijkomende garantieprestaties. Uw wettelijke garantieclaims blijven onaangetast door deze garantie. Onze garantieprestatie is voor uw gratis.
- De garantieprestatie heeft uitsluitend betrekking op gebreken die te wijten zijn aan materiaal- of fabricagefouten en is beperkt tot het verhelpen van deze gebreken van het apparaat. Wij wijzen erop dat onze apparaten overeenkomstig hun bestemming niet geconstrueerd zijn voor commercieel, ambachtelijk of industrieel gebruik. Een garantieovereenkomst komt daarom niet tot stand als het apparaat in ambachtelijke of industriële bedrijven alsmede bij gelijk te stellen activiteiten wordt gebruikt. Uitgesloten van onze garantie zijn verder schadeloosstellingen voor transportschade, schade door nietnaleving van de montage-instructies of op grond van ondeskundige installatie, niet-naleving van de handleiding (zoals door b.v. aansluiting op een verkeerde netspanning of stroomsoort), oneigenlijke of onoordeelkundige toepassingen (zoals b.v. overbelasting van het apparaat of gebruik van niet toegestane inzetgereedschappen of toebehoren), niet-naleving van de onderhouds- en veiligheidsbepalingen, binnendingen van vreemde voorwerpen in het apparaat (zoals b.v. zand, stenen of stof), gebruikmaking van geweld of invloeden van buitenaf (zoals b.v. schade door neervallen) alsmede door normale slijtage die zich bij het doelmatig gebruik van het apparaat voordoet.

Er kan geen aanspraak op garantie worden gemaakt als op het apparaat reeds ingrepen werden uitgevoerd.

- De garantieperiode bedraagt 3 jaar en gaat in op de datum van aankoop van het apparaat. Garantieclaims dienen voor het verloop van de garantieperiode binnen de twee weken na het vaststellen van het defect geldend te worden gemaakt. Het geldend maken van garantieclaims na verloop van de garantieperiode is uitgesloten. De herstelling of vervanging van het apparaat leidt noch tot een verlenging van de garantieperiode noch wordt door deze prestatie een nieuwe garantieperiode voor het apparaat of voor eventueel ingebouwde wisselstukken op gang gebracht. Dit geldt ook bij het ter plaatse uitvoeren van een serviceactiviteit.
- Om een garantieclaim geldend te maken neem contact op met het hieronder vermelde serviceadres. Als de klacht binnen de garantieperiode valt, ontvangt u van ons een retourbonn waarmee u uw defecte apparaat gratis naar ons kunt retourneren. Wij verzoeken u de reden van de klacht zo nauwkeurig mogelijk te beschrijven. Valt het defect van het apparaat binnen onze garantieprestatie bezorgen wij u per omgaande een hersteld of nieuw apparaat terug.

Uiteraard staan wij ook tot u dienst om mits betaling van de kosten defecten van het apparaat te verhelpen die buiten de garantieomvang vallen. Te dien einde stuurt u het apparaat aan ons serviceadres op.

#### Service-hotline / Hotline du service (NL):

00800 4003 4003  
(0,00 €/Min.)

#### Service-hotline (BE):

00800 4003 4003  
(0,00 €/Min.)

#### E-mailadres / Email du service (NL):

service.NL@schepdach.com

#### E-mailadres (BE):

service.BE@schepdach.com

#### Serviceadres / Adresse du service (NL):

EURO Elektrowerkzeug- und Maschinen Service  
Bürgerbuschweg 20  
DE - 51381 Leverkusen

#### Serviceadres (BE):

Service Center Bruyninckx  
Guldendelle 30  
BE - 1930 Zaventem (Nossegem)



Op [www.lidl-service.com](http://www.lidl-service.com) kunt u deze en talloze andere handleidingen, productvideo's en installatiesoftware downloaden.



Met de QR-code komt u direct op de Lidl-Service-pagina ([www.lidl-service.com](http://www.lidl-service.com)) en kunt u met het invoeren van het artikelnummer (IAN) 403506\_2204 uw gebruikshandleiding openen.

---

1.	Vysvětlení symbolů na přístroji .....	101
2.	Pokyn pro uživatele.....	102
3.	Úvod .....	103
4.	Popis zařízení .....	103
5.	Rozsah dodávky.....	103
6.	Použití v souladu s určením.....	104
7.	Bezpečnostní pokyny.....	104
8.	Technické údaje .....	109
9.	Před uvedením do provozu .....	109
10.	Uvedení do provozu .....	111
11.	Použití.....	113
12.	Přeprava .....	115
13.	Čištění a údržba.....	116
14.	Skladování.....	119
15.	Likvidace a recyklace.....	120
16.	Odstraňování poruch.....	120
17.	Záruční list .....	121
18.	Rozpadový výkres.....	398
19.	Prohlášení o shodě.....	400

## 1. Vysvětlení symbolů na přístroji

 <p>Přečtěte si všechny výstražná upozornění, osvojte si je a dodržujte je.</p>	 <p>Než začnete s přístrojem pracovat, pročtěte si celý návod k obsluze.</p>
 <p>Varování! Nebezpečí zpětného rázu (zpětné kopnutí). Chraňte se před zpětným rázem řetězové pily a zabraňte kontaktu se špicí lišty.</p>	 <p>Přístroj neprovozuje za deště nebo ve vlhkém prostředí.</p>
 <p>Noste ochranné brýle. Noste ochranu sluchu.</p>	 <p>Noste ochrannou helmu.</p>
 <p>Při práci s přístrojem noste vždy bezpečnostní antivibrační obuv.</p>	 <p>Při práci se zařízením noste vždy bezpečnostní obuv s protiskluzovou podrážkou a ochranou proti pořezání.</p>
 <p>Důležité je nošení ochranného oděvu pro chodidla, nohy, ruce a předloktí.</p>	 <p>Držte řetězovou pilu vždy pevně oběma rukama. Nikdy nepracujte s řetězovou pilou jednou rukou.</p>
 <p>Pozor! Použití řetězové pily v kombinaci s lanovou technikou. Před zahájením prací se dobře seznáme se všemi pracovními pokyny!</p>	 <p>Otevřený oheň je v pracovním prostoru zakázán!</p>
 <p>Otvor pro plnění paliva. Směs oleje a paliva 1:40</p>	 <p>Směr otáčení</p>
 <p>Uzávěr nádrže oleje na řetěz</p>	 <p>Nastavení brzdy řetězu: Bílá šipka: Brzda řetězu neaktivní Černá šipka: Brzda řetězu aktivována</p>
 <p>Páka na studený start (sytič)</p>	 <p>Uvolnění brzdy řetězu</p>
 <p>Aktivace brzdy řetězu</p>	 <p>Směr vestavby řetězu pily</p>
 <p>Nastavení mazání řetězu</p>	 <p>Garantovaná hladina akustického výkonu přístroje.</p>

	Pozor! Horké části.	 push primer 6 times	Stiskněte 6 x palivové čerpadlo (Primer).
<b>RIZIKO</b>	Signální slovo označující bezprostředně nastávající nebezpečnou situaci, která může mít za následek smrt nebo vážné zranění, pokud se jí nezabrání.		
<b>VAROVÁNÍ</b>	Signální slovo označující potenciálně nebezpečnou situaci, která by mohla mít za následek smrt nebo vážné zranění, pokud se jí nezabrání.		
<b>OPATRNĚ</b>	Signální slovo označující potenciálně nebezpečnou situaci, která by mohla mít za následek lehké nebo středně těžké zranění, pokud se jí nezabrání.		
<b>UPOZORNĚNÍ</b>	Signální slovo označující potenciálně nebezpečnou situaci, která by mohla mít za následek poškození výrobku nebo vlastnictví/majetku.		

## 2. Pokyn pro uživatele

### VAROVÁNÍ:

**Před prvním uvedením do provozu si důkladně přečtěte tento návod k obsluze a bezpodmínečně dodržujte bezpečnostní předpisy! Tuto pilu na ošetřování stromů smí obsluhovat pouze „uživatelé pily na ošetřování stromů s doplňkovým vyškolením pro práce ve zdvihacích nebo montážních koších resp. v lanové technice“!**

**Návod k obsluze pečlivě uschovejte!**

### Upozornění:

**Dbajte prosím na to, že některé národní předpisy mohou používání stroje omezovat.**



Tato pila na ošetřování stromů je určena speciálně pro péči o stromy a stromovou chirurgii. Veškeré práce s pilou na ošetřování stromů jsou určeny speciálně pro péči o stromy a stromovou chirurgii. Veškeré práce s touto pilou na ošetřování stromů směji provádět pouze vyškolení uživatelé této pily!



### 3. Úvod

#### VÝROBCE:

**Scheppach GmbH**

Günzburger Straße 69

D-89335 Ichenhausen

#### VÁŽENÝ ZÁKAZNÍKU,

přejeme vám mnoho radosti a úspěchu při práci s novým zařízením.

#### UPOZORNĚNÍ:

Výrobce tohoto zařízení neručí podle platného zákona o odpovědnosti za vady výrobku za škody, které vzniknou na tomto zařízení nebo jeho prostřednictvím v případě:

- neodborné manipulace,
- nedodržování návodu k obsluze,
- oprav prostřednictvím třetích osob, neautorizovaných odborníků,
- montáže a výměny neoriginálních náhradních dílů,
- použití, které není v souladu s určením.

#### Mějte na paměti:

Před montáží a zprovozněním si přečtěte celý text návodu k obsluze.

Tento návod k obsluze vám má usnadnit seznámení se zařízením a jeho používání v souladu s určením.

Návod k obsluze obsahuje důležité pokyny, jak se zařízením pracovat bezpečně, odborně a ekonomicky, abyste se vyhnuli rizikům, ušetřili náklady za opravy, omezili dobu nečinnosti a zvýšili spolehlivost a životnost zařízení.

Kromě bezpečnostních ustanovení tohoto návodu k obsluze musíte bezpodmínečně dodržovat předpisy své země, které platí pro provoz zařízení.

Uchovávejte návod k obsluze u zařízení v plastovém obalu, který jej bude chránit před znečištěním a vlhkostí. Před započetím práce si jej musí každý pracovník obsluhy přečíst a pečlivě jej dodržovat.

Se zařízením smějí pracovat jen osoby, které jsou poučeny o jeho použití a informovány o nebezpečích, která jsou s ním spojena. Dodržujte minimální požadovaný věk obsluhy.

Kromě bezpečnostních pokynů, které jsou obsaženy v tomto návodu k obsluze, a zvláštních předpisů vaší země, je při provozu konstrukčně stejných strojů zapotřebí dodržovat všeobecně uznávaná technická pravidla.

Nepřebíráme žádnou záruku za nehody nebo škody způsobené nedodržováním tohoto návodu a bezpečnostních pokynů.

### 4. Popis zařízení

1. Řetěz pily
2. Vodicí lišta
3. Přední ochrana rukou
4. Palivové čerpadlo „Primer“
5. Plynová páčka
6. Zadní rukojeť
7. Pojistka plynové páčky
8. Startovací tažné lanko
9. Kryt vzduchového filtru
10. Uzávěr na kryt vzduchového filtru
11. Uzávěr nádrže řetězového oleje
12. Přední rukojeť
13. Uzávěr palivové nádrže
14. Páka na studený start (sytič)
15. Spínač pro zapnutí/vypnutí
16. Upevňovací matice
17. Kryt řetězového kola
18. Tlumič hluku
19. Závěsné zařízení
20. Klíč na zapalovací svíčky / plochý šroubovák
21. Kryt vodicí lišty
22. Mísící nádoba
23. Napínací šroub řetězu
24. Zubová opěrka
25. Zachytávač řetězu
26. Napínací kolík řetězu
27. Řetězové kolo
28. Vodicí drážka
29. Upevňovací čep
30. Ozubené kolo
31. Mazací otvor
32. Regulační šroub oleje
33. vzduchový filtr
34. Zapalovací svíčka
35. Konektor zapalovací svíčky
36. Sací hlava

### 5. Rozsah dodávky

- Pila na ošetřování stromů
- Řetěz pily
- Vodicí lišta
- Kryt vodicí lišty
- Klíč na zapalovací svíčky / plochý šroubovák
- Mísící nádoba

## 6. Použití v souladu s určením

Tento přístroj je mimořádně lehká a snadno ovladatelná pila na ošetřování stromů s rukojetí v horní části. Pila na ošetřování stromů je vyvinuta speciálně pro stromovou chirurgii a péči o stromy. Tyto pily na ošetřování stromů směji proto obsluhovat pouze „uživatelé pily na ošetřování stromů s doplňkovým vyškolením pro práce ve zdvihacích nebo montážních koších resp. v lanové technice“.

Pro příležitostné použití na tenké dřevo, péči o ovocné stromy, odvětvování, seřezávání.

Příprava křbového dřeva se smí provádět pouze v případě, že průměr dřeva nepřekročí řeznou délku (20 cm).

Na tyto práce doporučujeme konvenční motorovou pilu s velkou vzdáleností rukojetí resp. řeznou délkou.

Kdo nesmí přístroj používat:

Osoby, které nejsou seznámené s návodem k obsluze, děti mladší 16 let a rovněž osoby, které jsou pod vlivem alkoholu, drog, léků, jsou unavené nebo nemocné.

Zařízení slouží v souladu se svým určením výlučně k řezání dřeva. Výrobce neručí za škody, které byly zapříčiněny použitím v nesouladu s určením nebo chybou obsluhou.

Nářadí se smí používat pouze v souladu s určením. Jakékoliv další použití kromě tohoto je v rozporu s určením. Za škody nebo zranění všeho druhu, které vzniknou na základě použití v rozporu s určením, zodpovídá uživatel/obsluhující osoba a ne výrobce.

Součástí použití k určenému účelu je dodržování bezpečnostních pokynů a také montážní návod a provozní pokyny v návodu k obsluze.

Osoby provádějící obsluhu a údržbu přístroje s ním musí být seznámeny a informovány o potenciálních nebezpečích.

Kromě toho je třeba co nejpřesněji dodržovat platné předpisy pro prevenci nehodovosti.

Je třeba dodržovat ostatní všeobecná pravidla pro oblasti pracovního lékařství a bezpečnostně technická pravidla. Změny na přístroji zcela vylučují ručení výrobce za škody, které takto vzniknou.

Respektujte prosím, že náš přístroj v souladu s určením není konstruován pro komerční, řemeslné a průmyslové použití. Nepřebíráme zodpovědnost v případě, když se přístroj použije v komerčních, řemeslných nebo průmyslových provozech, a při srovnatelných činnostech.

### NEBEZPEČÍ

Výrobce tohoto zařízení neručí podle platného zákona o odpovědnosti za vady výrobku za škody, které vzniknou na tomto zařízení nebo jeho prostřednictvím v případě:

- montáže a výměny neoriginálních náhradních dílů,
- odebrání nebo změny bezpečnostních komponentů.

### 6.1 Použití v rozporu s určeným účelem

- Tento přístroj není vhodný na kácení.
- Nepoužívejte vodící lištu jako páku, abyste pohnuli kmeny stromů nebo podobnými předměty.
- Řezání dřeva s průměrem nad 20 cm není dovoleno.

## 7. Bezpečnostní pokyny

### 7.1 Všeobecné pokyny

#### VAROVÁNÍ

Při práci s přístrojem buďte neustále pozorní a dávejte pozor na to, co děláte a postupujte vždy s rozvahou. Nepoužívejte přístroj, jste-li nemocní nebo unaveni nebo pod vlivem drog, alkoholu nebo léků. Okamžik nepozornosti při používání přístroje může vést k vážným zraněním.

Vyvarujte se chybného použití, stroj používejte pouze tak, jak je popsáno pod „použitím k určenému účelu“.

Návod k obsluze obsahuje důležitá upozornění pro bezpečnou, odbornou a ekonomickou práci s řetězovou pilou a zabránění nebezpečí.

Pokud by přesto vznikla blokáda mezi řezným materiálem a řetězem pily, pilu ihned vypněte. Počkejte, až se řetěz pily zastaví. Vyměňte konektor zapalovací svíčky a na odstranění blokády si navlečte protitřezné rukavice. Pokud je nutné vyjmout vodící lištu (lištu), řiďte se instrukcemi popsanými v kapitole „Montáž“. Po odstranění blokády a opětovné montáži je nutné provést zkušební běh.

Pokud přitom zjistíte vibrace nebo mechanické zvuky, přerušte práci a obraťte se na autorizované servisní místo. Pokud by se toto ohrožení vyskytovalo častěji, doporučujeme opětovné školení.

- Před uvedením do provozu si přečtěte návod k obsluze vašeho přístroje a především dodržujte bezpečnostní pokyny.
- Varovné a upozorňovací štítky umístěné na přístroji poskytují důležitá upozornění pro bezpečný provoz.
- Kromě upozornění v návodu k obsluze je třeba dodržovat všeobecné bezpečnostní předpisy a zákonné předpisy prevence nehod.
- Držte obalové fólie mimo dosah dětí, hrozí nebezpečí udušení!
- Nedostatečně informovaní pracovníci obsluhy mohou v důsledku neodborného používání ohrozit sebe a jiné osoby. Pracovník obsluhy je odpovědný třetím osobám.
- Před začátkem práce zkontrolujte funkci plynové páčky. Ta se musí po uvolnění automaticky vrátit do polohy volnoběhu.
- Nepracujte déle než 10 minut na jednom kusu. Doporučuje se vkládat mezi jednotlivé pracovní operace pauzy 10 - 20 minut.
- Přístroj půjčujte pouze uživatelům, kteří s ním mají zkušenosti. Přitom je nutné jim předat návod k obsluze.
- Některé řezací úkoly vyžadují speciální školení a zvláštní dovednosti. V případě pochybností se obraťte na odborníka.
- První uživatelé se musí zaškolit, aby se obeznámili s vlastnostmi přístroje. Pro vlastní bezpečnost navštěvujte státní učební kurz ovládnání motorové pily.
- Při nepoužívání musí být přístroj odstaven tak, aby nebyl nikdy ohrožen. Chraňte před nepovolaným přístupem.
- Uživatel přístroje je odpovědný za veškeré nehody a ohrožení, které poškodí jiné osoby nebo jejich majetek.
- Děti, mladiství a osoby s omezenými fyzickými, smyslovými nebo duševními schopnostmi nesmějí řetězovou pilu obsluhovat. Výjimka platí pouze pro mladistvé nad 16 let v rámci vyššího pod dohledem odborníka.
- Elektrické zapalovací zařízení přístroje vytváří nepatrné elektromagnetické pole. Pokud jste nositeli kardiostimulátoru nebo podobných implantátů, poraďte se před použitím přístroje se svým lékařem, abyste zabránili ohrožení zdraví.
- Myslete na to, že nesprávná údržba, použití nevhodných náhradních dílů, nebo odstranění či modifikace bezpečnostních zařízení mohou vést k poškození přístroje a těžkým zraněním osob, které s ním pracují.

## 7.2 Osobní ochranné pracovní prostředky (OOPP)

### NEBEZPEČÍ

Vždy používejte osobní ochranné pomůcky (OOP), jako je ochrana očí (kšilt nebo brýle), ochrana hlavy, rukou, nohou a chodidel vhodná pro lezení na stromy!

- Noste ochrannou helmu s ochranou obličeje resp. ochranné brýle a ochranu sluchu.
- Noste přiléhavý ochranný oděv s ochrannou vložkou proti proříznutí.
- Noste protiskluzovou bezpečnostní obuv.
- Používejte ochranné rukavice.
  - Vyvarujte se volného oděvu, který se může zachytit.
  - Nenoste šátky, kravaty ani šperky!
  - Máte-li dlouhé vlasy, noste na nich síťku!
- Noste při veškeré práci v lese ochrannou helmu. Poskytujte ochranu před padajícími větvemi. Pravidelně ochrannou helmu kontrolujte, zda není poškozená. Nejpозději po 5 letech je třeba ji vyměnit. Používejte pouze ověřené ochranné helmy.
- Ochrana obličeje resp. ochranné brýle zadrží piliny a dřevěné třísky. Aby se zamezilo poranění očí, je nutné při práci s přístrojem stále nosit ochranu obličeje resp. ochranné brýle.
- Vždy noste ochranu sluchu. Hluk vycházející z přístroje může poškodit sluch.
- Noste důkladné ochranné rukavice z odolného materiálu, jako např. kůže.
- Při řezání suchého dřeva noste protiprašnou masku. Může dojít k tvorbě řezného prachu.
- Při práci na stromě může uživatel spadnout. Uživatel může být vážně zraněn nebo usmrčen. Používejte vybavení pro ochranu proti pádu.

## 7.3 Skladování a přeprava

- Před každou přepravou, i na krátké vzdálenosti, řetězovou pilu vypněte. Zapněte brzdu řetězu a nasadte ochranu řetězu.
- Ochranu řetězu používejte při přepravě a skladování.
- Během přepravy stroj zajistěte (i na vozidlech) před převrácením, abyste zabránili ztrátě paliva, poškození nebo zranění.
- Noste přístroj pouze za přední rukojeť. Vodicí lišta přitom směřuje dozadu, odvrácená od těla.
- Držte horký tlumič hluku od těla. Hrozí nebezpečí popálení!
- Před uskladněním řetězovou pilu očistěte a proveďte údržbu.
- Přístroj skladujte na bezpečném a suchém místě. Zajistěte jej také před nepovolaným přístupem.

## 7.4 Bezpečnost okolí

- Národní a/nebo obecní ustanovení mohou časově omezovat použití hlukových motorových přístrojů. Informujte se o tom na příslušném obecním úřadu.

- Přístroj nesmí být provozován ve vnitřních prostorách nebo jiných špatně větraných oblastech. Hrozí nebezpečí udušení v důsledku jedovatých spalin/výparů mazacích olejů.
- Práce provádějte pouze za denního světla.
- Nepracujte ani při nepříznivých povětrnostních podmínkách, jako např. za deště nebo větru. Hrozí přitom zvýšené riziko nehody.
- Udržujte svou pracovní oblast čistou a uklizenou.
- Před prací a během ní udržujte děti, jiné osoby a zvířata v patřičné vzdálenosti. Při rozptýlení můžete ztratit kontrolu nad přístrojem.
- Před začátkem práce se ujistěte, že v nebezpečné zóně nejsou žádné osoby, zvířata ani předměty s věcnou hodnotou.
- Nepracujte v blízkosti drátěných plotů nebo v oblastech s volnými starými dráty.
- Pokud pracujete v snadno vznítitelném prostředí, jako např. v suché trávě, připravte si hasicí prostředky. Hrozí nebezpečí požáru!

## 7.5 Doplňte palivo

- Benzín je velmi snadno vznětlivý. Při čerpání pohonných hmot d dodržujte bezpečnou vzdálenost od otevřeného ohně a nekuřte. Hrozí nebezpečí požáru!
- Dávejte pozor, abyste nevylili benzín. Benzín ani olej na řetěz se nesmí dostat do půdy. Vezměte si na pomoc vhodné podklady.
- Tankujte pouze v dostatečně větraných prostorách. Benzinové výpary se mohou snadno vznítit nebo vybuchnout.
- Před tankováním vypněte motor a nechte přístroj vychladnout. Pokud rozlijete benzín, ihned dotčená místa vyčistěte. Dávejte pozor, aby se vám palivo nedostalo na oblečení, jinak se hned převlékněte.
- Vyvarujte se také kontaktu benzínu nebo mazacích látek (olejů) s pokožkou a očima.
- Nevdechujte benzinové výpary/výpary mazacího oleje.
- Dávejte pozor na netěsnosti. Pokud vyteče benzín, nestartujte motor. Hrozí nebezpečí popálení.
- Uzávěr nádrže otvírejte jen opatrně, aby mohl uniknout případný přetlak a benzín nevystříkl.

## 7.6 Před uvedením do provozu

### VAROVÁNÍ

Kontroly provádějte vždy před uvedením do provozu a při vypnutém motoru. Zkontrolujte provozní bezpečnost přístroje před každým použitím a poté, co upadl na zem. Zkontrolujte, zda všechny pohyblivé díly bezvadně fungují. Příčinou mnoha nehod jsou špatně udržované nástroje.

Opravu poškozených dílů svěřte kvalifikovanému odbornému personálu.

Řetězovou pilu a příslušenství používejte pouze podle těchto instrukcí. Zohledněte přitom pracovní podmínky a prováděnou činnost. Používání motorových nástrojů pro jiné než určené aplikace může vést k nebezpečným situacím.

- Pravidelně kontrolujte funkčnost brzdy řetězu (přední ochrana ruky, viz obr. 2).
- Zkontrolujte, zda je správně namontovaná vodící lišta.
- Zkontrolujte, zda je správně napnutý řetěz pily. Dodržujte pokyny pro mazání, napínání řetězu a výměnu příslušenství. Neodborně napnutý nebo namazaný řetěz se může přetrhnout nebo zvýšit riziko zpětného rázu.
- Udržujte řezné nástroje ostré a čisté. Pravidelně osiřete přístroj a opořebené díly včas vyměňte. Pečlivě udržované řezné nástroje s ostrými břity se méně přičí a lze je snadněji vést.
- Zkontrolujte plynovou páčku a pojistku plynové páčky, zda mají lehký chod. Plynová páčka musí zaskočit zpět do výchozí pozice.
- Zkontrolujte, zda je v nádrži dostatek paliva a mazacího oleje řetězu.
- Zkontrolujte, zda jsou rukojeti čisté, suché a zbavené oleje a nečistot.
- Nikdy nepracujte sami. V případě nouze musí být někdo poblíž.
- Používejte řetězovou pilu pouze tehdy, když stojíte na pevném, bezpečném a rovném podkladu. Zabraňte nestabilnímu držení těla. Kluzký podklad nebo nestabilní plochy pro stání (např. na žebříku) mohou vést ke ztrátě rovnováhy nebo ke ztrátě kontroly nad řetězovou pilou. Zajistěte si stabilní postoj a vždy udržujte rovnováhu. Tak můžete řetězovou pilu lépe kontrolovat i v nečekaných situacích.
- Nepracujte s řetězovou pilou na stromě. Při práci na stromě hrozí nebezpečí zranění.
- Nikdy neřežte nad úrovní ramen.
- Držte řetězovou pilu vždy svojí pravou rukou za zadní rukojeť a svojí levou rukou za přední rukojeť. Držení řetězové pily opačně zvyšuje riziko zranění a nesmí se používat.
- Za běžící řetězové pily držte všechny části těla směrem od řetězu pily. Ujistěte se před spuštěním řetězové pily, že se ničeho nedotýká. Při práci s řetězovou pilou může i moment nepozornosti vést k tomu, že je řetězem pily zachycen oděv nebo části těla.
- Řetězovou pilu okamžitě vypněte, jakmile zaznamenáte citelné změny v chodu stroje.
- Pokud řetězová pila přijde do kontaktu s kameny, hřebíky nebo jinými tvrdými předměty, ihned vypněte motor a zkontrolujte řetěz pily a vodící lištu, zda nejsou poškozené.

- Nenechte řetězovou pilu spadnout, nenarážejte s ní na překážky a nikdy nepoužívejte vodící lištu jako páku.
- Řežte s řetězovou pilou pouze dřevo.
- Při řezání větví, které jsou napjaté, počítejte s tím, že se odpruží zpět. Pokud se napjatá dřevěná vlákna uvolní, může napjatá větev trefit obsluhující osobu nebo dostat řetězovou pilu mimo kontrolu.
- Zejména opatrní buďte při řezání podrostu a mladých stromů. Tenký materiál se může zachytit v řetězu pily a udeřit vás nebo vás vyvést z rovnováhy.

## 7.7 Vibrace

### VAROVÁNÍ

Vyvarujte se ohrožení způsobených vibracemi, např. rizika běláni prstů (Raynaudův fenomén, poruchy prokrvení); dělejte v práci časté přestávky a při nich si např. třete dlaně o sebe.

- Noste vždy ochranné rukavice a dbejte na to, abyste měli teplé ruce.
- Dbejte na to, aby byl řetěz vždy ostrý.
- Dělejte při práci pravidelně přestávky.

## 7.8 Preventivní bezpečnostní opatření proti zpětnému rázu

### VAROVÁNÍ

Dávejte při práci pozor na zpětný ráz přístroje. Hrozí nebezpečí zranění. Zamezte zpětným rázům opatrností a správnou technikou řezání.

- Dotyk špičky lišty může v mnohých případech vést k neočekávané, dozadu směřované reakci, při které se může vodící lišta vymrštit nahoru a ve směru obsluhy.
- Zpětný ráz může nastat, pokud se špička vodící lišty dotkne předmětu nebo pokud se ohne dřevo a řetěz pily se pevně sevře v řezu.
- Vzpříčení řetězu pily na horní hraně vodící lišty může řetězovou pilu nekontrolovaně prudce vrhnout zpět k obsluhující osobě.
- Vzpříčení řetězu pily na spodní hraně vodící lišty může řetězovou pilu nekontrolovaně prudce vytrhnout od směru obsluhující osoby.
- Buďte extrémně opatrní, když nasazujete řetěz řetězové pily k dalšímu řezání do již načatého řezu.
- Neřežte větve ani kusy dřeva, které mohou během řezání změnit polohu nebo u kterých se řez v průběhu řezání zavírá.

- Každá z těchto reakcí může vést k tomu, že ztratíte kontrolu nad pilou a že se možná těžce zraníte. Nikdy se nepolehčejte pouze na bezpečnostní zařízení zabudovaná na řetězové pile. Jako uživatel řetězové pily učiňte různá opatření, abyste mohli pracovat bez nehod a zranění.

Zpětný ráz je důsledkem chybného nebo nesprávného používání. Tomu lze zabránit vhodnými preventivními opatřeními, popsányými dále:

- Pilu držte pevně oběma rukama, přičemž palce a prsty obklopují rukojeť řetězové pily. Tělo a paže uveďte do takové polohy, ve které můžete zachytit síly zpětných rázů. Pokud byla učiněna vhodná opatření, může obsluha síly zpětných rázů zvládnout. Nikdy nepouštějte řetězovou pilu.
- Zabraňte abnormálnímu držení těla a neřezejte nad úroveň ramen. Tím je zabráněno nezamýšlenému dotyku špičky lišty a je umožněna lepší kontrola řetězové pily v neočekávaných situacích.
- Používejte vždy výrobcem předepsané náhradní lišty a řetězy pily. Nesprávné náhradní lišty a pilové řetězy mohou vést k přetřetí řetězu pily a/nebo ke zpětnému rázu.
- Držte se pokynů výrobce pro broušení a údržbu řetězu pily. Příliš nízké hloubkové omezovače zvyšují sklony ke zpětnému rázu.
- Nikdy neřežte špičkou lišty. Hrozí nebezpečí zpětného rázu. (obr. 7)
- Ujistěte se, že v oblasti řezání nejsou žádné hřebíky ani kusky kovu. Dávejte pozor zejména na hřebíky nebo kusky kovu v okolí oblasti řezání. Buďte také opatrní při řezání tvrdých dřev, v nichž se může řetěz zaseknout. Tím může dojít ke zpětnému rázu.
- Začněte řez plnou silou a během řezání udržujte řetězovou pilu stále v nejvyšší rychlosti.
- Postarejte se o to, aby na zemi neležely žádné předměty, o které byste mohli klouznout.

## 7.9 Pracovní podmínky a technika

- Pracujte pouze za dobré viditelnosti a dobrých světelných podmínek. Obzvlášť dávejte pozor na náledí, mokro, led a sníh (nebezpečí uklouznutí). Zvýšené nebezpečí uklouznutí hrozí na čerstvě odkorněném dřevě (kůra).
- Nikdy nepracujte na nestabilních podkladech. Dávejte pozor na překážky v pracovním prostoru, nebezpečí kloupnutí. Je třeba neustále dbát na bezpečný postoj.
- Nikdy neřežte nad výškou ramen.
- Nikdy neřežte při stání na žebříku.

- Nikdy s řetězovou pilou nelezte na strom a neprovádějte práce bez odpovídajících zádržných systémů pro přístroj a člověka. Doporučujeme vždy provádět práce z pracovní plošiny.
- Nepracujte v přílišném předklonu.
- Vedte řetězovou pilu tak, aby se žádná část těla nenacházela v prodlouženém rozsahu otáčení pilového řetězu.
- Řetězovou pilou řežte pouze dřevo.
- Nedotýkejte se běžícím pilovým řetězem země.
- Oblast řezu očistěte od cizích předmětů, jako je písek, kameny, hřebíky apod. Cizí předměty poškozují pilové ústrojí a mohou vést k nebezpečnému zpětnému rázu (kopnutí) anebo mohou být odmrštěny.
- Při řezání řeziva používejte bezpečnou podložku (pokud možno kozlík). Dřevo se nesmí přidržovat nohou ani ho nesmí přidržovat jiná osoba.
- Kulatinu je třeba zajistit proti pootočení v řezu.
- Nikdy nepracujte bez zubové opěrky, řetězová pila může strhnout obsluhující osobu dopředu. Zubovou opěrku používejte k řezání kmenů nebo silných větví. Používání zubové opěrky zvyšuje bezpečnost práce, snižuje osobní zatížení při práci a redukuje také vibrace.
- Při hlavním a zkracovacím řezu se musí zubová lišta (zubový doraz) nasadit na řezané dřevo. Také k prořezávání silných větví se doporučuje použití zubové lišty.
- Před každým zkracovacím řezem zubovou lištu pevně nasadíte, teprve pak řežte běžícím pilovým řetězem do dřeva. Pila je přitom tažena nahoru za zadní rukojeť a vedena obloukovou rukojetí. Zubová lišta slouží jako bod otáčení. Dodatečně nasazování se provádí lehkým tlakem na obloukovou rukojeť. Řetězovou pilu přitom trochu zatáhněte dozadu. Zubovou lištu nasadíte hlouběji a znovu vytáhněte zadní rukojeť.
- Pozor při řezání roztržitého dřeva. Může dojít k zachycení odřezaných kusů dřeva (nebezpečí úrazu).
- Řetězová pila sebou při řezání horní stranou lišty může trhnout směrem k obsluze, když řetěz pily uvízne. Proto by se mělo pokud možno řezat spodní stranou lišty, protože řetězová pila je tažena směrem ke dřevu a od těla.
- Dřevo pod pnutí se musí vždy napřed naříznout na straně tlaku. Teprve pak může následovat oddělovací řez na tažné straně. Tak se zamezí uváznutí lišty.
- Pokud pracujete na stromě, může motorová pila spadnout. Může dojít k vážnému úrazu osob a vzniku věcných škod. Motorovou pilu zajistíte pomocí závěsného zařízení.
- Než je řetěz pily veden v oblasti řezu, může dojít ke sklouznutí motorové pily do strany nebo jejímu odskočení.

## POZOR

### Zvýšené riziko zpětného rázu!

Pro zachování plné kontroly v okamžiku „proříznutí“ snižte na konci řezu přítláčný tlak a řetězovou pilu dále pevně držte za rukojeť. Dbejte na to, aby se řetěz pily nedotkl země. Po provedení řezu vyčkejte, až se pila zastaví, a teprve poté řetězovou pilu odstraňte. Než přejdete od jednoho stromu ke druhému, vždy nejprve vypněte motor řetězové pily.

## VAROVÁNÍ

V případě delší práce může v důsledku vibrací v rukou dojít k poruše prokrvení rukou (syndrom bílých prstů).

Syndrom bílých prstů je vaskulární onemocnění, při němž se malé krevní cévy v prstech rukou a nohou křečovitě stahují. Dotčené oblasti již nejsou dostatečně zásobovány krví, a proto vypadají velmi bledě. Časté používání vibračních přístrojů může způsobit poškození nervů u osob s narušením krevního oběhu (např. kuřáci, diabetici).

Pokud zaznamenáte neobvyklé negativní účinky, okamžitě ukončete práci a poradte se s lékařem.

Dodržujte následující pokyny pro snížení rizik:

- Tělo a zvláště ruce udržujte v chladném počasí teplé.
- Provádějte pravidelné přestávky a pohybuje rukama, abyste podpořili krevní oběh.
- Pravidelnou údržbou a pevnými díly na zařízení zajistíte co možná nejnížší vibrace stroje.

## 7.10 Zbytková rizika

### NEBEZPEČÍ

#### NEBEZPEČÍ ZRANĚNÍ!

Kontakt s řetězem pily může vést ke smrtelným řezným zraněním. Nikdy nezasahujte rukama do běžícího řetězu pily.

#### NEBEZPEČÍ ZPĚTNÉHO RÁZU!

Zpětný ráz může vést ke smrtelným řezným zraněním.

#### NEBEZPEČÍ POPÁLENÍ!

Řetěz a vodící lišta se za provozu zahřejí.

**Přístroj je zkonstruován podle stavu techniky a uznávaných bezpečnostně technických předpisů. Přesto se mohou během práce vyskytnout jednotlivá zbytková rizika.**

Kromě toho mohou přes všechna přijatá preventivní opatření vzniknout zbytková rizika, která nebudou zjevná.

Zbytková rizika mohou být minimalizována, budete-li dodržovat jak „Bezpečnostní pokyny“, tak „Určené použití“ a pokyny k obsluze.

## 8. Technické údaje

Stroj bez lišty

Délka x šířka x výška .....	270 x 230 x 240 mm
Hmotnost v nenatankovaném stavu, bez řezací soupravy cca .....	3,4 kg
Hmotnost v nenatankovaném stavu, s řezací soupravou cca .....	3,8 kg
Nádrž na mazací olej řetězu .....	0,16 l
Objem palivové nádrže .....	0,23 l
Směs oleje a paliva .....	1:40
Délka řezu .....	20 cm
Délka šavle .....	30 cm
Automatické olejování řetězu .....	ano
Dělení řetězu .....	3/8" (9,525 mm)
Tloušťka článku řetězu .....	1,27 mm
Typ řetězu .....	3/8LP-40
Počet zubů hnacího kola řetězu .....	6
Rozteč zubů hnacího kola řetězu .....	3/8"
Typ lišty .....	AP10-40-509P
Rychlost řetězu max. ....	21 m/s
Motor .....	1 válec 2takt vzduchem chlazený
Zdvih motoru .....	25,4 cm <sup>3</sup>
Max. výkon motoru podle ISO 7293 .....	0,7 kW
Volnoběžné otáčky $n_0$ .....	3300 ± 300 min <sup>-1</sup>
Maximální otáčky s řeznou soupravou .....	11000 min <sup>-1</sup>
Zapalovací svíčka .....	L8RTC

**Hladinu akustického tlaku je nutné v závislosti na využití a prováděných činnostech redukovat tak, aby nevzniklo žádné ohrožení zdraví uživatele. Hladina akustického tlaku na pracovišti může přesáhnout 80 dB. V takovém případě jsou pro uživatele nutná ochranná protihluková opatření (např. nošení ochranných sluchátek).**

### Omezte hlučnost a vibrace na minimum!

- Používejte pouze bezvadné přístroje.
- Pravidelně provádějte údržbu a čištění přístroje.
- Přizpůsobte svůj styl práce přístroji.
- Přístroj nepřetěžujte.
- Případně nechte přístroj přezkoušet.
- Přístroj vypněte, když se nepoužívá.
- Používejte rukavice.

Naměřená hladina akustického tlaku $L_{pA}$ .....	99,2 dB
Kolísavost $K_{pA}$ .....	3 dB
Zaručená hladina akustického výkonu $L_{WA}$ .....	113 dB
Naměřená hladina akustického výkonu $L_{WA}$ .....	108,7 dB
Kolísavost $K_{WA}$ .....	3 dB

Vibrace, přední rukojeť .....	8,98 m/s <sup>2</sup>
Vibrace, zadní rukojeť .....	8,03 m/s <sup>2</sup>
Kolísavost .....	1,5 m/s <sup>2</sup>

### Používejte ochranu sluchu.

Působení hluku může vést ke ztrátě sluchu.

Uvedené hodnoty hlukových emisí byly měřeny normovaným zkušební postupem a mohou být použity ke srovnání přístroje s jiným.

Uvedené hodnoty hlukových emisí lze použít rovněž k předběžnému odhadu zatížení.

### Varování:

- Hodnoty hlukových emisí se mohou během reálného používání přístroje lišit od uvedených hodnot v závislosti na způsobu použití přístroje, především podle toho, jaký výrobek se bude obrábět.
- Pokuste se udržet zatížení na co nejnižší úrovni. Příklad opatření: omezení pracovní doby. Přitom je třeba zohlednit všechny části provozního cyklu (například doby, kdy je přístroj vypnutý, a doby, kdy je sice zapnutý, běží však naprázdno).

## 9. Před uvedením do provozu

1. Otevřete balení a opatrně vyjměte přístroj.
2. Odstraňte balicí materiál a obalové a přepravní pojistky (pokud je jimi výrobek opatřen).
3. Zkontrolujte, zda je rozsah dodávky úplný.
4. Zkontrolujte přístroj a díly příslušenství, zda se při přepravě nepoškodily.
5. Uchovejte obal dle možností až do uplynutí záruční doby.
6. Odstraňte stručný návod ze startovacího tažného lanka (8).

### POZOR

Zařízení a obalové materiály nejsou hračka! S plastovými sáčky, fóliemi a drobným díly si nesmějí hrát děti! Hrozí nebezpečí spolknutí těchto věcí a udušení!

## 9.1 Montáž vodící lišty (2) a řetězu pily (1)

### VAROVÁNÍ

#### Nebezpečí zranění!

Noste vždy ochranné rukavice, když se dotýkáte řetězu pily (1). Nebezpečí zranění ostrými řezacími zuby!

Používejte pouze schválené kombinace řetězu pily (1) a vodící lišty (2) (viz kapitola „Schválené řezací sady“).

Montáž provádějte vždy při vypnutém motoru.

#### Upozornění

Nový řetěz pily (1) se protahuje a musí se častěji dodatečně napínat. Pravidelně kontrolujte napnutí řetězu a upravujte je. Podle stupně opotřebení lze vodící lištu (2) obrátit.

1. Postavte řetězovou pilu na rovný stabilní podklad.
2. Zatáhněte přední ochranu rukou (3) až na doraz dozadu pro uvolnění brzdy řetězu. (obr. 2)
3. Vyměňte obě upevňovací matice (16) pomocí klíče na zapalovací svíčky (20).
4. Sejměte kryt řetězového kola (17).
5. Upínací šroub řetězu (23) otáčejte doleva (proti směru hodinových ručiček), až bude upínací kolík řetězu (26) u pravého dorazu (obr. 3). K tomu použijte plochý šroubovák (20).
6. Nasuňte podélný otvor vodící lišty (2) na oba vyčnívající upevňovací čepy (29).
7. Položte řetěz pily (1) přes ozubení řetězového kola (27). Zaveďte řetěz pily (1) přesně ve směru uvedeném na vodící liště (2). Na hrotu vodící lišty (2) je ozubené kolečko (30), do jehož ozubení se musí vložit řetěz pily (1). (Obr. 6 a 18)
8. Trochu za vodící lištu (2) zatahajte, abyste řetěz pily (1) lehce předpnuli.
9. Znovu nasadíte kryt řetězového kola (17). Dbejte na to, aby uvnitř uložený upínací kolík řetězu (26) zapadl do příslušného otvoru vodící lišty (2). Přestavte popř. upínací šroub řetězu (23) pomocí plochého šroubováku (20).
10. Rukou našroubujte obě upevňovací matice (16). Dávejte pozor ale pozor, abyste je ještě neutáhli příliš pevně. Upevňovací matice (16) se dotáhnou až po napnutí řetězu pily (1).

## 9.2 Napnutí a kontrola řetězu pily (1)

### VAROVÁNÍ

Natáhněte si ochranné rukavice! Nebezpečí zranění ostrými řezacími zuby!

Napnutí řetězu kontrolujte pravidelně před každým uvedením do provozu.

Kontrolu provádějte vždy před nastartováním a při vypnutém motoru.

1. Před napnutím musíte trochu povolit obě upevňovací matice (16) pomocí klíče na zapalovací svíčky (20).
2. Otáčejte napínacím šroubem řetězu (23) pomocí plochého šroubováku (20) po směru hodinových ručiček, abyste zvýšili napnutí.
3. Pevně utáhněte obě upevňovací matice (16) pomocí klíče na zapalovací svíčky (20).
4. Řetěz pily (1) musí doléhat ke spodní straně lišty. Zkontrolujte, zda je možné řetěz pily (1) (při uvolnění brzdě řetězu, přední ochranu ruky (3) zatáhnout dozadu) natáhnout přes vodící lištu (2) rukou.

#### UPOZORNĚNÍ

Nový řetěz pily (1) se protahuje a musí se častěji dodatečně napínat.

## 9.3 Mísení paliva

Motor se musí pohánět palivovou směsí z benzínu a motorového oleje.

### VAROVÁNÍ

Vyvarujte se přímého kontaktu pokožky s palivem a vdechování palivových výparů.

Používejte pouze směs bezolovnatého benzínu (min. ROZ 95) a speciálního motorového oleje na dvoutaktní motory (JASO FD/ISO - L - EGD). Palivovou směs namíchejte podle tabulky mísení paliva.

Nalijte vždy správné množství benzínu a oleje pro dvoutaktní motory do přiložené mísicí nádoby (22) (viz „tabulka mísení paliva“). Následně mísicí nádobu (22) dobře protřepejte.

### 9.3.1 Tabulka mísení paliva

**Postup mísení: 40 dílů benzínu na 1 díl oleje**  
**Benzín.....Olej pro dvoutaktní motory**  
**0,5 litru ..... 12,5 ml**



## 9.4 Doplnění paliva (obr. 8)

### VAROVÁNÍ

Palivo nalévejte pouze při vypnutém a vychladlém motoru. Hrozí nebezpečí požáru!

1. Před plněním vždy vyčistěte oblast kolem uzávěru palivové nádrže (13), aby se do palivové nádrže nedostala nečistota. Použijte k tomu suchý hadřík nepouštějící vlákna.
2. Položte přístroj na bok, aby uzávěr palivové nádrže (13) byl nahoře.
3. Uzávěr palivové nádrže (13) otevřete otáčením proti směru hodinových ručiček. Uzávěr palivové nádrže (13) je spojen s pojistkou proti ztracení v palivové nádrži a nemůže tak spadnout.
4. Nalijte do palivové nádrže palivovou směs. Při nalévání palivo nerozlijte a neplňte palivovou nádrž až po okraj.
5. Rozlité palivo ihned seřete.
6. Uzávěr palivové nádrže (13) zavřete otáčením ve směru hodinových ručiček.

### UPOZORNĚNÍ

Pa každém nalití paliva zkontrolujte také olej na řetěz.

## 9.5 Vypuštění paliva

**Palivovou nádrž vyprazdňujte pouze venku nebo v dobře větraných prostorách. Dbejte na to, aby se palivo nedostalo do půdy (ochrana životního prostředí). Použijte vhodnou podložku.**

1. Podržte záchytnou nádobu pod palivovou nádrží.
2. Odšroubujte uzávěr palivové nádrže (13) a sejměte je.
3. Úplně vypusťte směs benzínu a oleje.
4. Uzávěr palivové nádrže (13) opět rukou zašroubujte.

## 9.6 Nalijte olej na řetěz (obr. 8)

### VAROVÁNÍ

Olej na řetěz pily nalévejte pouze při vypnutém a vychladlém motoru. Hrozí nebezpečí požáru!

Nikdy nepracujte bez mazání řetězu! Když běží řetěz pily (1) nasucho, řezací souprava se v krátké době nenapravitelně zničí.

Před prací vždy zkontrolujte mazání řetězu.

### UPOZORNĚNÍ

Používejte pouze olej na řetěz pily. Přednostně biologicky odbouratelný olej. Nepoužívejte žádný starý olej, motorový olej atd.

Během práce kontrolujte, zda mazání řetězu funguje.

1. Před plněním vždy vyčistěte oblast kolem uzávěru nádrže na řetězový olej (11), aby se do nádrže nedostala nečistota. Použijte k tomu suchý hadřík nepouštějící vlákna.
2. Položte přístroj na bok, aby uzávěr nádrže na řetězový olej (11) směřoval nahoru.
3. Uzávěr nádrže na řetězový olej (11) otevřete otáčením proti směru hodinových ručiček. Uzávěr nádrže na řetězový olej (11) je spojen s pojistkou proti ztracení v nádrži na řetězový olej a nemůže tak spadnout.
4. Nalijte do nádrže oleje bio olej na řetěz. Při nalévání olej na řetěz nerozlijte a neplňte nádrž na řetězový olej až po okraj.
5. Rozlitý olej na řetěz ihned seřete.
6. Uzávěr nádrže na řetězový olej (11) zavřete otáčením ve směru hodinových ručiček.

## 10. Uvedení do provozu

### OPATRNĚ

Dodržujte zákonné předpisy k nařízení o ochraně před hlukem.

Před každým uvedením přístroje do provozu zkontrolujte:

- Těsnost pohonného systému
- Bezvadný stav a úplnost ochranných zařízení a řezacího ústrojí
- Pevné utažení veškerých šroubových spojů
- Lehkost chodu všech pohyblivých dílů

### Pracovní pokyny

Seznamte se před použitím s manipulací s řetězovou pilou.

## 10.1 Startování motoru

### POZOR

Vzdalte se před spuštěním motoru nejméně 3 metry od místa tankování (obr. 9).

Startovací tažné lanko (8) vytahujte vždy rovně. Když se startovací tažné lanko (8) navíjí zpátky, pevně držte jeho rukojeť (8). Nenechte nikdy startovací tažné lanko (8) zaskočit zpátky.

Ihned po spuštění motoru pusťte plynovou páčku (5). Ujistěte se, že otáčky motoru přešly zpět na volnoběh, než uvolníte brzdou řetězu (přední ochranu rukou (3) zatlačte dozadu).

Vytahujte páku na studený start (sytič) (14) pouze při startování.

### 10.1.1 Startování při studeném motoru

#### **VAROVÁNÍ**

Před každým uvedením do provozu zapněte brzdou řetězu (zatlačte přední ochranu rukou (3) dopředu).

#### **POZOR**

Nenechte nikdy startovací tažné lanko (8) vymrštit dozadu. To může vést k poškození.

1. Sejměte kryt vodicí lišty (21).
2. Postavte řetězovou pilu na stabilní a rovný podklad. Řetěz pily (1) se při tom nesmí dotýkat země.
3. Zatlačte přední ochranu rukou (3) dopředu, až zacvakne. Řetěz pily (1) je blokován brzdou řetězu.
4. 6x stiskněte palivové čerpadlo „Primer“ (4). (obr. 1)
5. Nastavte spínač pro zapnutí / vypnutí (15) na „ON“. (obr. 1)
6. Vytáhněte páku na studený start (sytič) (14). (obr. 10,2)
7. Podržte řetězovou pilu za přední rukojeť (12) a vytažte pomalu startovací tažné lanko (8), až pocítíte odpor.
8. Nyní za startovací tažné lanko (8) rychle zatáhněte, až motor nastartuje. Pokud motor nenaskočí, postup opakujte. Dokud je páka na studený start (sytič) (14) vytážená, motor jen krátce naběhne a pak se zase vypne.
9. Jakmile se motor vypne, stiskněte pojistku plynové páčky (7) současně s plynovou páčkou (5). Páka na studený start (sytič) (14) skočí automaticky do provozní polohy „Teplý start“. (obr. 10,1)
10. Nyní znovu rychle zatáhněte za startovací tažné lanko (8), až motor nastartuje.

Pokud motor ani po několika pokusech nenaskočí, přečtěte si kapitolu „Nápověda při poruchách“.

#### **UPOZORNĚNÍ**

Při vysokých venkovních teplotách se může stát, že se bude muset startovat bez páky na studený start (sytiče) (14) i při studeném motoru!

- Zatažením přední ochrany rukou (3) dozadu uvolníte brzdu řetězu. (obr. 2)
- **OPATRNĚ!** Brzda řetězu je nyní uvolněná. Pokud se stiskne plynová páčka (5) společně s pojistkou plynové páčky (7), řetěz pily (1) se rozběhne.

### 10.1.2 Startování při zahřátém motoru (Přístroj byl zastavený na méně než 15–20 minut.)

#### **VAROVÁNÍ**

Před každým uvedením do provozu zapněte brzdou řetězu (zatlačte přední ochranu rukou (3) dopředu).

1. Zatlačte přední ochranu rukou (3) dopředu, až zacvakne. Řetěz pily (1) je blokován brzdou řetězu.
2. Nastavte spínač pro zapnutí / vypnutí (15) na „ON“.
3. Páka na studený start (sytič) (14) se pro nastartování teplého motoru nemusí zatahovat.
4. Podržte řetězovou pilu za přední rukojeť (12) a vytažte pomalu startovací tažné lanko (8), až pocítíte odpor.
5. Jen rychle zatáhněte za startovací tažné lanko (8). Přístroj by měl nastartovat po 1-2 zatáhnutích. Pokud přístroj nenastartuje ani po 6 zatáhnutích, opakujte postup popsaný v „Startování se studeným motorem“.

## 10.2 Vypnutí motoru

### 10.2.1 Sled kroků při nouzovém vypnutí

Pokud je nutné přístroj okamžitě zastavit, nastavte spínač pro zapnutí/vypnutí (15) na „OFF“. (obr. 1)

### 10.2.2 Normální sled kroků

1. Pusťte plynovou páčku (5). Motor přejde na volnoběžnou rychlost.
2. Nastavte pak spínač pro zapnutí/vypnutí (15) na „OFF“. (obr. 1)

## 10.3 Provoz ve volnoběhu

#### **POZOR**

Ve volnoběhu musí být řetěz pily (1) zastavený.

#### **UPOZORNĚNÍ**

Pokud se řetěz pily (1) pohybuje ve volnoběhu nebo motor při redukcí plynu sám zhasne, je třeba provést seřízení karburátoru (viz kapitolu „Údržba - seřízení karburátoru“).

1. Řetězovou pilu zvedněte.
2. Držte pevně levou rukou přední rukojeť (12).
3. Držte pevně pravou rukou zadní rukojeť (6). Dlaň ruky přitom spočívá na blokaci plynové páčky (7) a ukazuje stiskne plynovou páčku (5).
4. Po jednom stisknutí plynové páčky (5) se rozběhne motor na volnoběh.
5. Nechte motor krátce zahřát.

## 10.4 Kontrola a nastavení mazání řetězu

### POZOR

- Nikdy nepracujte bez mazání řetězu! Když běží řetěz pily (1) nasucho, řezací souprava se v krátké době nenapravitelně zničí.
- Před prací vždy zkontrolujte mazání řetězu.

### Upozornění

Používejte pouze olej na řetěz pily, přednostně biologicky odbouratelný. Nepoužívejte žádný starý olej, motorový olej atd. Podržte řetězovou pilu běžícím ve středních otáčkách nad pařezem nebo vhodným podkladem. Pokud je mazání dostatečné, na pařezu nebo podkladu se vytvoří lehký olejový film.

- Pokud je třeba, lze mazání řetězu zvýšit nebo snížit regulačním šroubem oleje (32) (obr. 11).
- K tomu si vezměte na pomoc dodaný plochý šroubovák (20):
  - Napřed regulační šroub oleje (32) stiskněte a pak jím otáčejte po směru hodinových ručiček, abyste snížili mazání řetězu.
  - Napřed regulační šroub oleje (32) stiskněte a pak jím otáčejte proti směru hodinových ručiček, abyste zvýšili mazání řetězu.

## 10.5 Kontrola brzdy řetězu

### VAROVÁNÍ

Brzda řetězu se musí zkontrolovat před každým uvedením do provozu.

Brzda řetězu okamžitě zabrzdí řetěz pily (1) při zpětném rázu.

1. Dbejte na to, aby byla přední ochrana rukou (3) prostá nečistot a bylo možné jí snadno pohybovat.
2. Nastartujte řetězovou pilu a zrychlete řetěz pily (1) na nejvyšší rychlost (plný plyn).
3. Aktivujte při běžícím řetězu pily (1) přední ochranu rukou (3). Brzda řetězu musí řetěz pily (1) při max. rychlosti přibrzdit a zablokovat.

### VAROVÁNÍ

Zvýšené otáčky motoru po příliš dlouhou dobu při zablokování brzd řetězu poškozují motor a pohon řetězu.

Pokud by se řetěz pily (1) přesto pohyboval, kontaktujte zákaznický servis.

## 11. Použití

### 11.1 Odvětvování

- Zásadně mějte na paměti nebezpečí zpětně vymršťených větví.
- Při odvětvování si nestoupejte na kmen.
- Nikdy neřežte hrotem lišty. (obr. 7)
- Nikdy neřežte více větví najednou.
- Při odvětvování pokud možno opřete řetězovou pilu o zubovou opěrku (24).
- Mějte na paměti, že se řetězová pila na konci řezu může vlastní hmotností vychýlit. Není už opřena v řezu, proto ji příslušně vyrovnejte.
- Zaujměte pro odvětvování pevnou, stabilní a bezpečnou polohu.

#### 11.1.1 Odvětvování po částech

Než provedete finální oddělovací řez, dlouhé resp. tlusté větve zkraťte. Řetěz pily (1) se jinak může snadno vzpříčit.

#### 11.1.2 Opracování napnutého dřeva

Při opracování napnutého dřeva je bezpodmínečně nutné dodržet správné pořadí kroků. Jinak se může řetěz pily (1) vzpříčit nebo může dojít ke zpětnému rázu.

Dřevo pod pnutím se musí vždy napřed naříznot na straně tlaku. Teprve pak může následovat oddělovací řez na tažné straně. (obr. 24)

Tak se zamezí uvíznutí řetězu pily (1).

### POZOR

#### Věcné škody!

Ležící dřevo se nesmí naspodu místa řezu dotýkat země, jinak by se mohl řetěz pily (1) poškodit.

#### Zpětný náraz

- Vzpříčení řetězu pily (1) na horní hraně vodící lišty (2) může řetězovou pilu nekontrolovaně prudce vrhnout zpět k obsluhující osobě.

#### Vtažení

- Vzpříčení řetězu pily (1) na spodní hraně vodící lišty (2) může řetězovou pilu nekontrolovaně prudce vytrhnout od směru obsluhující osoby.

#### Bezpečná práce

- Udržujte přístroj v dobrém použitelném stavu, abyste zamezili úrazům.

- Pokud přístroj spadne na zem, zkontrolujte ho, zda nemá viditelné poškození nebo vady.
- Nepoužívejte přístroj, pokud stojíte na žebříku nebo na nestabilním stanovišti.
- Nenechte se zlákat k nepromyšlenému řezu. To by mohlo ohrozit jak Vás, tak ostatní osoby.
- Pravidelně střídejte svou polohu při práci. Delší používání přístroje může vést k poruchám prokrvení rukou vlivem vibrací. Dobu používání však můžete prodloužit pomocí vhodných rukavic nebo vkládáním pravidelných přestávek. Mějte na paměti, že osobní náchylnost ke špatnému prokrvování, nižší venkovní teploty nebo velká uchopovací síla při práci dobu používání snižují.

## 11.2 Kmen je ohnutý dolů

1. Proveďte napřed odlehčovací řez 1 (cca 1/3 průměru kmene) na straně přítlaku.
2. Poté proveďte oddělovací řez 2 (cca 2/3 průměru kmene) na straně tahu.

## 11.3 Kmen je ohnutý nahoru

1. Proveďte napřed odlehčovací řez 1 (cca 1/3 průměru kmene) na straně přítlaku.
2. Poté proveďte oddělovací řez 2 (cca 2/3 průměru kmene) na straně tahu.

## 11.4 Použití pily na ošetřování stromů k řezání stromů v kombinaci s lanovou technikou

Tato příloha představuje přiměřené pracovní postupy pro snížení nebezpečí zranění, když se řetězová pila na ošetřování stromů používá k práci ve výškách s lanem a nosným popruhem. I když může sloužit jako vodítko a zdroj školicích informací, neměla by být považována za náhradu formálního výškolení. Vodítko uvedené v této příloze slouží pouze jako příklad pro dobrý způsob práce.

Mohou být aplikovány národní nebo jiné předpisy, které mají prioritu.

Uživatel řetězové pily na ošetřování stromů, který pracuje ve výšce s lanem a nosným popruhem, by neměl nikdy pracovat sám. Je nutné, aby mu asistoval pracovník na zemi, který je vyškolený pro příslušná opatření v případě nouze.

Uživatel by měl být vyškolený v obecných bezpečných technikách lezení a pracovních pozic, a měl by být vybaven nosným popruhem, lanem, smyčkami, karabinkami a další výstrojí, která pomáhá udržení bezpečné a správné pracovní polohy jak jeho, tak i pily.

Vždy je nutné striktně dodržovat národní zákony a předpisy.

Tato příloha se nezabývá technikami kontroly větví odřezaných řetězovou pilou, ani neobsahuje již pojednané body o bezpečném používání.

### 11.4.1 Všeobecné požadavky

Uživatel řetězové pily na ošetřování stromů, který pracuje ve výšce s lanem a nosným popruhem, by neměl nikdy pracovat sám. Je nutné, aby mu asistoval pracovník na zemi, který je vyškolený pro příslušná opatření v případě nouze.

Uživatel by měl být vyškolený v obecných bezpečných technikách lezení a pracovních pozic, a měl by být vybaven nosným popruhem, lanem, smyčkami, karabinkami a další výstrojí, která pomáhá udržení bezpečné a správné pracovní polohy jak jeho, tak i pily.

### 11.4.2 Příprava před použitím pily na ošetřování stromů na stromě

Řetězovou pilu musí pracovník na zemi zkontrolovat, natankovat, nechat rozběhnout a zahřát a pak vypnout, než ji nechá vytáhnout k uživateli na stromě.

Řetězová pila by měla být opatřena vhodnou smyčkou, aby mohla být připevněna k nosnému popruhu uživatele (obr. 13):

- Smyčku je nutné zajistit v závěsném zařízení (19) umístěném na zadní straně pily (obr. 12).
- Je třeba připravit vhodné karabinky, umožňující nepřímé (tj. pomocí smyčky) a přímé (tj. na závěsném zařízení (19) řetězové pily) upevnění pily k nosnému popruhu uživatele.
- Při vytažování řetězové pily nahoru k uživateli je třeba se postarat o její bezpečné upevnění (obr. 14).
- Je nutné se ujistit, že je řetězová pila upevněná k nosnému popruhu, než se uvolní ze zvedacího lana.

Díky možnosti upevnění řetězové pily přímo k nosnému popruhu se snižuje riziko poškození výstroje při pohybu na stromě. Řetězová pila by měla být vždy vypnutá, když je připevněna přímo k nosnému popruhu.

Řetězová pila by měla být k nosnému popruhu upevněna pouze za doporučená závěsná zařízení. Ta se mohou nacházet ve středu (vpředu nebo vzadu) nebo po stranách. Kdykoli je to možné, je třeba upevnit řetězovou pilu za prostřední zadní středobod nosného popruhu, aby byla z dosahu lezeckého lana a aby nesla hmotnost uprostřed pod páteří uživatele. Když se řetězová pila přemístí z jednoho závěsného zařízení na druhé, měl by se uživatel ujistit, že je v nové poloze zajištěná, než ji uvolní od předchozího závěsného zařízení.

## 11.5 Použití řetězové pily na stromě

Analýza nehod, ke kterým dochází s těmito řetězovými pilami při ošetřování stromů, ukazuje, že hlavní příčinou je nesprávné používání řetězové pily jednou rukou. Ve většině případů nehod nezaujímou uživatelé zabezpečenou pracovní polohu, která by jim umožnila držet řetězovou pilu za obě rukojeti, což vede ke zvýšenému nebezpečí zranění v důsledku následujících faktorů:

- Chybějící pevný úchop při zpětném rázu řetězové pily.
- Chybějící kontrola nad řetězovou pilou, takže se může snadno stát, že se pila dostane do kontaktu s lany a tělem uživatele (zejména s jeho levou rukou a paží).
- Ztráta kontroly v důsledku nezajištěné pracovní polohy a tím kontakt s řetězovou pilou (nečekané pohyby během práce s řetězovou pilou).

## 11.6 Zajištěná pracovní poloha při obouručním používání

Aby bylo možné držet řetězovou pilu oběma rukama, měl by se uživatel zásadně snažit zaujmout zajištěnou pracovní polohu, při níž je pila vedena takto:

- ve výšce boků při řezání vodorovných kusů.
- ve výšce břicha boků při řezání svislých kusů.

Pokud uživatel pracuje poblíž svislého kmene a vůči jeho pracovní poloze působí jen nepatrné boční síly, měl by být pro zajištěnou pracovní polohu dostatečně bezpečný postoj nohou. Jakmile se ale uživatel vzdálí od kmene, musí učinit další opatření, aby odboural působení narůstajících bočních sil nebo působil proti nim, např. přepnutím hlavního lana na přidavné závěsné zařízení nebo použitím přestavitelné smyčky, která vede od postroje k přidavnému závěsnému zařízení (obr. 15 a 16).

### 11.6.1 Nastartování pily na ošetřování stromů na stromě

Při spuštění řetězové pily na stromě by uživatel měl:

- zapnout brzdu řetězu před spuštěním (zatlačit přední ochranu rukou (3) dopředu).
- při nastartování držet řetězovou pilu buď nalevo nebo napravo od těla:
  - držet řetězovou pilu na levé straně levou rukou za přední rukojeť dál od těla, zatímco startovací lanko drží v pravé ruce.
  - držet řetězovou pilu na pravé straně pravou rukou za jednu z obou rukojetí a dál od těla, zatímco startovací lanko drží v levé ruce.

Řetězová brzda by se měla vždy aktivovaná dřív, než se běžící řetězová pila spustí na svém nosném lanu.

Před zahájením obtížných řezacích prací by se měl uživatel vždy ujistit, že má řetězová pila dostatek paliva.

### 11.6.2 Jednoruční použití řetězové pily

Uživatelé by neměli používat řetězové pily na ošetřování stromů jednoručně v nestabilních pracovních polohách nebo je používat namísto ruční pily k odřezávání špiček větví s velmi malým poloměrem.

Řetězové pily na ošetřování stromů by se měly používat jednoručně pouze v případech, kdy

- a. uživatel nemá možnost zaujmout pracovní polohu, která umožňuje obouruční použití.
- b. je nutné jednou rukou zajišťovat pracovní polohu.
- c. se řetězová pila použije při držení v plně natažené ruce, v pravém úhlu k tělu uživatele a mimo přímku vedoucí k němu.

Uživatelé by nikdy neměli:

- Řezat v oblasti zpětného rázu špičkou vodící lišty (2) řetězové pily.
- Přidržovat se větve, kterou řezou.
- Pokoušet se zachytit padající díly.

### 11.6.3 Uvolňovat zaseknutou řetězovou pilu

Pokud se řetězová pila během řezání zasekne, měl by uživatel:

1. Řetězovou pilu vypnout a upevnit ji bezpečně ve směru do nitra stromu (tj. ke kmeni) nebo na samostatné lano.
2. Řetězovou pilu vytáhnout ze zářezu, zatímco se větev nadzvedne podle potřeby,
3. V případě potřeby použít ruční pilu nebo druhou řetězovou pilu, aby osvobodil zaseknutou řetězovou pilu tím, že ve vzdálenosti nejméně 30 cm od ní provede řez.

Bez ohledu na to, zda se k uvolnění zaseknuté řetězové pily použije ruční nebo jiná řetězová pila, měly by být uvolňovací řezy prováděny vždy směrem ven (ke špičce větve), aby řetězová pila nespadla zároveň s odřezanými kusy a nekomplikovala situaci ještě víc.

## 12. Přeprava

- Při přepravě používejte vždy kryt vodící lišty (21).
- Před každou přepravou, i na krátké vzdálenosti, řetězovou pilu vypněte. Během přepravy stroj zajistíte (i na vozídcích) před převrácením, abyste zabránili ztrátě paliva, poškození nebo zranění.
- Aktivujte brzdu řetězu (zatlačte přední ochranu rukou (3) dopředu).

- Noste přístroj pouze za přední rukojeť (12). Vodicí lišta (2) přitom směřuje dozadu, odvrácená od těla.
- Držte horký tlumič hluku (18) od těla. Hrozí nebezpečí popálení (obr. 23)

## 13. Čištění a údržba

### VAROVÁNÍ

#### Nebezpečí zranění!

Před čištěním přístroj vždy vypněte a vytáhněte konektor zapalovací svíčky (35).

(viz kapitola 13.4 Údržba zapalovací svíčky (34)).

#### Upozornění

Po každém použití by se měl přístroj důkladně vyčistit.

Čištění a údržbu provádějte pouze tak, jak je uvedeno v tomto návodu k obsluze. Práce dalšího rozsahu musí provádět odborný personál.

Údržbové práce je nutné provádět pravidelně (viz kapitolu „Intervaly údržby“).

### 13.1 Čištění jednotky motoru

### VAROVÁNÍ

#### Nebezpečí popálení!

Nedotýkejte se horkých tlumičů hluku nebo chladicích žeber.

- Udržujte ochranná zařízení, větrací šterbiny a plášť motoru pokud možno bez prachu a nečistot. Vyfoukejte je stlačeným vzduchem při nízkém tlaku.
- Čistěte přístroj pravidelně vlhkým hadrem a trochou mycího prostředku. Dbejte na to, aby se dovnitř přístroje nemohla dostat žádná voda.

### 13.2 Čištění vzduchového filtru (33) (obr. 17)

Znečištěné vzduchové filtry snižují výkon motoru omezením přívodu vzduchu do karburátoru.

Proto je nezbytná pravidelná kontrola. Vzduchový filtr (33) je třeba pravidelně kontrolovat a podle potřeby vyčistit.

Ve velmi zaprášeném prostředí je nutné kontrolovat vzduchový filtr (33) častěji.

1. Povolte uzávěr na kryt vzduchového filtru (10) otáčením proti směru hodinových ručiček.
2. Sejměte kryt vzduchového filtru (9).
3. Vyjměte vzduchový filtr (33).
4. Vyčistěte vzduchový filtr (33) vyklepáním nebo vyfoukáním (stlačeným vzduchem).

Smontování probíhá v opačném pořadí.

### POZOR

Vzduchový filtr (33) nikdy nečistěte benzínem nebo hořlavými čistícími prostředky.

### 13.3 Čištění pohonu řetězu

### VAROVÁNÍ

#### Nebezpečí zranění!

Noste vždy ochranné rukavice, když se dotýkáte řetězu pily (1). Nebezpečí zranění ostrými řezacími zuby!

#### Upozornění

Pohon řetězu vyčistěte po každém použití.

1. Postavte řetězovou pilu na rovný stabilní podklad.
2. Zatáhněte přední ochranu rukou (3) až na doraz dozadu pro uvolnění brzdy řetězu. (obr. 2)
3. Otáčejte napínacím šroubem řetězu (23) pomocí plochého šroubováku (20) proti směru hodinových ručiček, abyste snížili napnutí.
4. Vyjměte obě upevňovací matice (16) pomocí klíče na zapalovací svíčky (20).
5. Sejměte kryt řetězového kola (17).
6. Sejměte řetěz pily (1) opatrně z vodicí lišty (2) a řetězového kola (27).
7. Odstraňte vodicí lištu (2). Vyčistěte ji štětcem.
8. Vyčistěte důkladně kompletní oblast pohonu řetězu a kryt řetězového kola (17) štětcem nebo vyfoukáním (stlačeným vzduchem).

Smontování probíhá v opačném pořadí.

### 13.4 Údržba zapalovací svíčky (34) (obr. 19 / 20)

1. Odmontujte vzduchový filtr (33), jak je popsáno v 13.2 „Čištění vzduchového filtru (33)“.
2. Stáhněte konektor zapalovací svíčky (35) tak, že jej otočíte doleva a doprava a současně za něj zatáhněte. Držte konektor zapalovací svíčky (35) výhradně za strčku. Nikdy jej netahujte za kabel!
3. Uvolněte zapalovací svíčku (34) přiloženým klíčem na zapalovací svíčky (20).
4. Smontování probíhá v opačném pořadí.

Vzdálenost elektrod = 0,6 - 0,7 mm (vzdálenost mezi elektrodami, mezi nimiž se vytvoří zapalovací jiskra). Zkontrolujte zapalovací svíčku (34) poprvé po 10 provozních hodinách, zda není znečištěná, a případně ji vyčistěte měděným kartáčem.

Poté zapalovací svíčku (34) čistíte vždy po 50 hodinách provozu.

### 13.5 Údržba mazání řetězu

- Viz kapitolu „Kontrola a nastavení mazání řetězu“.

### 13.6 Údržba seřízení karburátoru

- Pokud se řetěz pily (1) ve volnoběhu pohybuje nebo motor při redukcí plynu sám zhasne, je třeba provést seřízení karburátoru.

### Upozornění

Nechte seřízení karburátoru (např. volnoběžné otáčky) provádět pouze kvalifikovaný odborný personál, abyste zamezili-li poškození motoru.

### 13.7 Údržba vodící lišty (2)

- Odstraňte případně vzniklé ořípy na hraně lišty pomocí kovového pilníku.
- Vyčistěte drážku vodící lišty (2) pomocí štětce nebo stlačeným vzduchem (obr. 21). Vyměňte vodící lištu (2), jakmile je vodící drážka (28) opotřebovaná.
- Po každém použití vodící lišty (2) otočte, aby se zajistilo rovnoměrné opotřebování.
- Zkontrolujte ozubené kolo (30) na hrotu vodící lišty (2), zda má lehký chod. Popř. je namažte ložiskovým olejem. Nechte do mazacího otvoru (31) kapat trochu ložiskového oleje. (obr. 21)

### 13.8 Kontrola brzdy řetězu

Viz kapitolu 10.5 „Kontrola brzdy řetězu“

#### **VAROVÁNÍ**

#### **NEBEZPEČÍ ZPĚTNÉHO RÁZU!**

Nefunkční brzda řetězu zvyšuje riziko zpětného rázu.

Pravidelně kontrolujte brzdu řetězu.

Funkční brzda řetězu je nezbytná pro vaši bezpečnost.

### 13.9 Napnutí a kontrola řetězu pily (1)

Viz kapitolu 9.2 „Napnutí a kontrola řetězu pily (1)“

### 13.10 Ostření řetězu pily (1) a péče o něj

#### **VAROVÁNÍ**

#### **Nebezpečí zranění!**

Noste vždy ochranné rukavice, když se dotýkáte řetězu pily (1). Nebezpečí zranění ostrými řezacími zuby!

### Upozornění

Optimálně ošetřovaný a naostřený řetěz pily (1) snižuje fyzické zatížení, opotřebování a vede k dobrému výsledku řezání.

Pravidelně řetěz pily (1) čistěte, ošetřujte a ostřete.

Pravidelně řetěz pily (1) kontrolujte, zda nevykazuje praskliny a poškozené nity.

Stojanovou brusku lze umístit na pomůcku stojanové brusky kvůli stabilitě během broušení.

Na řetěz pily (1) obsažený v rozsahu dodávky používejte pouze speciální kruhové pilníky na řetěz pily o  $\varnothing$  4,8 mm (3/16").

V ostřicí sadě najdete detailní informace k postupu ostření.

Jako alternativu můžete použít elektrické ostřicí zařízení na řetězy. Řiďte se instrukcemi výrobce.

V případě pochyb o provedení práce je třeba provést výměnu řetězu pily (1).

Ostření řetězu pily (1) svěřte případně specializované dílně.

- Pořtebné příslušenství (není obsaženo v rozsahu dodávky):
  - Kruhový pilník na řetěz pily  $\varnothing$  4,8 mm (3/16")
  - Plochý pilník
  - Hloubková omezovací měrka
- Pro úběr materiálu pilujte pouze směrem dopředu.
- Pilujte v ostrém úhlu cca 25° při sklonu 10° vůči vodící liště (2).
- Zkontrolujte vzdálenost omezovače hloubky pomocí omezovací měrky.
- Správná vzdálenost omezovače hloubky by měla být 0,6 mm (0,024").

### 13.11 Intervaly údržby

Pro dlouhou životnost a rovněž pro zamezení poškození a pro zajištění plné funkce bezpečnostních zařízení musí být pravidelně prováděny následně popsané údržbové práce. Záruční nároky budou uznány teprve tehdy, pokud byly tyto práce prováděny pravidelně a řádně. Při nedodržení hrozí nebezpečí nehody!

Uživatelé řetězových pil smí provádět údržbové práce a péči pouze v rozsahu, jaký je popsán v tomto návodu k obsluze.

Práce přesahující tento rámec smí provádět pouze specializovaná dílna.

Obecně	Celá pila na ošetřování stromů	Vyčistit zvenčí a zkontrolovat, zda není poškozená. Při poškozeních ihned zajistit odbornou opravu.
	Řetěz pily	Pravidelně ostřit, včas vyměňovat.
	Brzda řetězu	Pravidelně nechat kontrolovat odbornou dílnou
	Vodící lišta	Obracet, aby se plochy zatěžované chodem opotřebovávaly stejně. Včas vyměňovat.
Před každým uvedením do provozu	Řetěz pily	Kontrolovat poškození a naostření. Kontrolovat napnutí řetězu.
	Vodící lišta	Kontrolovat poškození.
	Mazání řetězu	Zkouška funkce
	Brzda řetězu	Zkouška funkce
	Spínač pro zapnutí/vypnutí, pojistka plynové páčky, plynová páčka	Zkouška funkce
	Uzávěr palivové nádrže a nádrže oleje na řetěz	Kontrolovat těsnost.
Denně	vzduchový filtr	Čištění
	Vodící lišta	Kontrolovat poškození, čistit otvor pro vstup oleje
	Upínání lišty	Čistit, zejména drážku pro vedení oleje
	Volnoběžné otáčky	Kontrolovat (řetěz nesmí běžet společně)
Týdně	Pouzdro ventilátoru	Vyčistit, aby bylo zajištěno bezvadné vedení chladicího vzduchu
	Zapalovací svíčka	Zkontrolovat, příp. vyměnit
	Tlumič hluku	Kontrolovat usazeniny
	Zachytávač řetězu	Kontrolovat poškození, příp. vyměnit
	Šrouby a matice	Zkontrolujte stav a pevné usazení
čtvrtletně	Sací hlava Palivová nádrž, nádrž oleje na řetěz	Vyměnit Čištění
Skladování	Celá pila na ošetřování stromů	Vyčistit vnějšek a zkontrolovat poškození Při poškozeních ihned požadovat odbornou opravu
	Řetěz pily a lišta	Demontovat a lehce naolejovat Vyčistit vodící drážku vodící lišty
	Palivová nádrž, nádrž oleje na řetěz	Vyprázdnit a vyčistit
	Karburátor	Projet naprázdno



### 13.12 Důležité upozornění v případě opravy

Při zpětné dodávce zařízení kvůli opravě dbejte, prosím, na to, že zařízení se z bezpečnostních důvodů smí do servisní stanice posílat jen, když neobsahuje benzín a olej.

### 13.13 Servisní informace

Je nutno dbát na to, že v případě tohoto výrobku následující díly podléhají opotřebení, které je dáno používáním nebo se tak děje přirozeně, příp. že na následující díly je pohlíženo jako na spotřební materiál.

Opotřebitelné díly\*: Řetěz pily, vodící lišta, olej na řetěz, motorový olej, zubová opěrka, zachycovač řetězu, zapalovací svíčka, vzduchový filtr, palivový filtr, filtr oleje na řetěz

\* není nutně zahrnuto v obsahu dodávky!

### Přípustná řezná souprava

Řetěz pily

Kangxin 3/8LP-40.....7910100739

Oregon 91PO40X.....3910102032

Vodící lišta

Kangxin AP10-40-509P.....7910100740

Oregon 100SDEA041.....7910100744

## 14. Skladování

Klíč na zapalovací svíčky / plochý šroubovák (20) lze pro uložení připevnit z boku ke krytu vodící lišty (21).

Při skladování používejte vždy kryt vodící lišty (21).

Před každým uskladněním přístroje očistěte a proveďte údržbu, viz kapitolu „Čištění a údržba“.

Úplně vyprázdňte olejovou resp. palivovou nádrž.

### VAROVÁNÍ

Neodstraňujte benzín v uzavřených prostorech, v blízkosti oleje a během kouření. Výpary mohou způsobit výbuch nebo požár.

- Nastartujte motor a ponechte ho v chodu tak dlouho, dokud se nespotebuje zbylý benzín.

Uložte přístroj a jeho příslušenství na tmavém, suchém místě, chráněném před mrazem a nedostupném pro děti. Optimální skladovací teplota se pohybuje mezi 5 a 30 °C.

Neskladujte a nepoužívejte řetězovou pilu při teplotách pod 0 °C!

Řetězovou pilu nikdy neskladujte na déle než 30 dnů, aniž byste provedli následující kroky.

Před uskladněním vrtáku postupujte podle pokynů pro čištění a údržbu!

### 14.1 Uschovávání řetězové pily

Jestliže řetězovou pilu nebudete používat déle než 30 dní, musíte ji na toto připravit. Jinak se odpaří zbytek paliva nacházející se v karburátoru a zůstane po něm usazenina na dne, gumového charakteru. To by mohlo ztížit start a mohlo by být příčinou drahé opravy.

1. Pomalu otevřete uzávěr palivové nádrže (13), abyste uvolnili případný tlak v nádrži. Nádrž opatrně vyprázdněte.
2. Nastartujte motor a nechejte ho v chodu tak dlouho, až se řetězová pila zastaví, aby se odstranilo palivo z karburátoru.
3. Nechte motor vychladnout (cca 5 minut).
4. Odstraňte zapalovací svíčku (34).
5. Do spalovací komory nalijte 1 čajovou lžičku čistého oleje pro 2-takt. Několikrát pomalu zatáhněte za startovací tažné lanko (8), aby se vnitřní komponenty pokryly olejem. Zapalovací svíčku (34) znovu nasadte.

Řetězovou pilu uložte na suchém místě, dostatečně vzdáleném od možných zápalných zdrojů, např. kamna, plynový bojler na horkou vodu, plynový sušička atd., a mimo dosah dětí.

Vždy umístěte kryt vodící lišty (21), pokud se řetěz pily (1) a vodící lišta (2) nemají demontovat

### 14.2 Opětovné uvedení řetězové pily do provozu

1. Odstraňte zapalovací svíčku (34).
2. Zatáhněte rychle za startovací tažné lanko (8), abyste ze spalovací komory odstranili přebytečný olej.
3. Vyčistěte zapalovací svíčku (34) a dbejte přitom na správnou vzdálenost elektrod u zapalovací svíčky (34) nebo nasadte novou zapalovací svíčku (34) se správnou vzdáleností elektrod.
4. Připravte řetězovou pilu k provozu.
5. Naplňte nádrž správnou směsí oleje a paliva ve správném poměru (1:40).

### 14.3 Skladování paliva

Paliva jsou jen omezeně skladovatelná. Palivo a palivové směsi stárnou v důsledku odpařování, zejména za vysokých teplot. Příliš dlouho skladované palivo a palivové směsi mohou způsobit problémy při startování a mohou poškodit motor. Nakupujte jen tolik paliva, kolik budete potřebovat v několika dalších měsících. Při vyšších teplotách spotřebujte palivovou směs do 6-8 týdnů.

**Palivo skladujte pouze v povolených nádobách, v suchu, chladu a na bezpečném místě!**

## VAROVÁNÍ

### Vyhýbejte se kontaktu paliva s pokožkou a očima!

Produkty z minerálních olejů i oleje odmašťují pokožku. Při opakovaném a delším kontaktu pokožka vysychá. Důsledkem mohou být kožní choroby. Kromě toho jsou známé alergické reakce.

Po proniknutí oleje do očí dochází k jejich podráždění. V takovém případě ihned postižené oko vypláchněte čistou vodou. Při přetrvávajícím podráždění ihned vyhledejte lékaře!

## 15. Likvidace a recyklace

### Upozornění k obalu



Balící materiály jsou recyklovatelné.  
Obaly prosím likvidujte způsobem šetrným k životnímu prostředí.

**O možnostech likvidace vysloužilého přístroje vám podá informace správa vaší obce nebo vašeho města.**

### Paliva a oleje

- Před likvidací přístroje je nutné vyprázdnit palivovou nádrž a nádrž na motorový olej!
- Palivo a motorový olej nepatří do domovního odpadu nebo odtoku, ale musí se sbírat a likvidovat odděleně!
- Prázdné zásobníky oleje a paliva musí být zlikvidovány ekologicky.

## 16. Odstraňování poruch

Porucha	Možná příčina	Řešení
Motor nestartuje nebo startuje, ale dále neběží.	Chybný proces startování.	Řiďte se pokyny v tomto návodu.
	Chybně nastavená směs v karburátoru.	Nechte karburátor seřídit autorizovaným zákaznickým servisem.
	Začazená zapalovací svíčka.	Vyčistěte/seřídte zapalovací svíčku nebo vyměňte.
	Ucpaný palivový filtr.	Vyměňte palivový filtr.
Motor startuje, ale dále neběží na plný výkon.	Znečištěný vzduchový filtr	Vyměňte, vyčistěte filtr a znovu vložte.
	Chybně nastavená směs v karburátoru.	Nechte karburátor seřídit autorizovaným zákaznickým servisem.
Motor se zadržává.	Chybně nastavená směs v karburátoru.	Nechte karburátor seřídit autorizovaným zákaznickým servisem.
Žádný výkon při zatížení	Chybně nastavená zapalovací svíčka.	Vyčistěte/seřídte zapalovací svíčku nebo vyměňte.
Motor běží skokově	Chybně nastavená směs v karburátoru.	Nechte karburátor seřídit autorizovaným zákaznickým servisem.
Příliš mnoho kouře.	Chybná směs paliva.	Použijte správnou směs paliva (poměr 1:40).
Žádný výkon při zatížení	Řetěz je tupý nebo volný	Řetěz naosťete nebo vložte nový. Napněte řetěz.
Motor vypíná.	Benzínová nádrž prázdná nebo chybně umístěný palivový filtr v nádrži	Naplňte benzínovou nádrž. Kompletně naplňte benzínovou nádrž nebo umístěte palivový filtr v nádrži jinak.
Nedostatečné mazání řetězu (lišta a řetěz jsou horké)	Nádrž oleje na řetěz prázdná	Naplňte nádrž oleje na řetěz.
	Ucpané otvory pro průchod oleje	Vyčistěte olejovací otvor v liště. Vyčistěte drážku v liště.

## 17. Záruční list

### Vážena zakaznice, vážený zakazníku,

naše výrobky podléhají přísné kontrole kvality. Pokud i přesto tento přístroj bezvadně nefunguje, velice toho litujeme a prosíme Vás, abyste se obrátili na náš zákaznický servis, jehož adresa je uvedena na tomto záručním listu. Rádi Vám budeme k dispozici také telefonicky na níže uvedeném servisním čísle. Pro uplatňování nároků na záruku platí následující:

- Tyto záruční podmínky upravují dodatečný záruční servis. Vašich zákonných nároků na záruku se tato záruka netýká. Náš záruční servis je pro Vás bezplatný.
- Záruční servis se vztahuje výhradně na nedostatky, které lze odvodit z vad materiálu nebo výrobních vad a je také omezen pouze na odstranění těchto nedostatků, resp. výměnu přístroje. Dbejte prosím na to, že naše přístroje nebyly podle svého účelu určení konstruovány pro živnostenské, řemeslnické nebo průmyslové použití. Záruční smlouva tak není realizována, pokud byl přístroj používán v živnostenských, řemeslných nebo průmyslových podnicích a při srovnatelných činnostech. Z naší záruky je dále vyloučeno poskytnutí náhrady za dopravní škody, škody způsobené nedodržováním montážního návodu nebo z důvodů neodborné instalace, nedodržování návodu k použití (jako např. připojení na chybné síťové napětí nebo druh proudu), nedovoleného nebo neodborného používání (jako např. přetížení přístroje nebo použití neschválených vložných nástrojů nebo příslušenství), nedodržování pokynů pro údržbu a bezpečnostních pokynů, vniknutí cizích těles do přístroje (jako např. písek, kameny nebo prach), použití násilí nebo poškození v důsledku cizích vlivů (jako např. škody způsobené pádem), jakož také běžného opotřebení způsobeného používáním.

Nárok na záruku zaniká, pokud bylo do přístroje již zasahováno

- Záruční doba činí 3 roky a začíná datem koupě přístroje. Nároky na záruku před vypršením záruční doby je třeba uplatňovat během dvou týdnů od zjištění defektu. Uplatňování nároků na záruku po vypršení záruční doby je vyloučeno. Oprava nebo výměna přístroje nevede k prodloužení záruční doby, ani k zahájení nové záruční doby za provedený výkon pro přístroj nebo pro případné zamontované náhradní díly. Toto platí také v případě servisu v místě Vašeho bydliště.
- Pro uplatnění nároku ze záruky se prosím obraťte na adresu servisu uvedenou dole. Pokud se reklamace uplatňuje v záruční době, dáme Vám k dispozici formulář pro vrácení, pomocí kterého nám můžete vadný přístroj zdarma zaslat zpět. Popište nám prosím pokud možno přesně důvod reklamace. Je-li defekt přístroje v našem záručním servisu obsažen, obdržíte obratem opravený nebo nový přístroj.

Samozřejmě rádi za úhradu nákladů odstraníme defekty na přístrojích, které nespadají nebo již nespadají do rozsahu záruky. K tomu nám přístroj prosím zašlete na naši servisní adresu.

### Servisní horká linka (CZ):

00800 4003 4003

(0,00 €/Min.)

### Adresa elektronické pošty (CZ):

service.CZ@schepach.com

### Adresa servisního střediska (CZ):

GARLAND distributor s.r.o.

Hradecká 1136

CZ - 50601 Jicin



Na stránkách [www.lidl-service.com](http://www.lidl-service.com) si můžete stáhnout tyto a mnoho dalších manuálů, produktových videí a instalačních softwarů.



Pomocí kódu QR můžete přímo na stránce servisních služeb Lidl ([www.lidl-service.com](http://www.lidl-service.com)) otevřít svůj návod k obsluze zadáním čísla výrobku (IAN) 403506\_2204.

---

1.	Objaśnienie symboli na urządzeniu .....	124
2.	Wskazówka dla użytkownika .....	125
3.	Wprowadzenie .....	126
4.	Opis urządzenia .....	126
5.	Zakres dostawy .....	127
6.	Użytkowanie zgodne z przeznaczeniem .....	127
7.	Wskazówki dotyczące bezpieczeństwa .....	127
8.	Dane techniczne .....	132
9.	Przed uruchomieniem .....	133
10.	Uruchamianie .....	135
11.	Zastosowanie .....	137
12.	Transport .....	140
13.	Czyszczenie i konserwacja .....	140
14.	Przechowywanie .....	143
15.	Utylizacja i ponowne wykorzystanie .....	144
16.	Pomoc dotycząca usterek .....	145
17.	Gwarancja .....	146
18.	Rysunek eksplozji .....	398
19.	Deklaracja zgodności .....	400

## 1. Objąsnienie symboli na urządzeniu

	Przeczytać, zrozumieć i przestrzegać wszystkich wskazówek ostrzegawczych.		Przed użyciem urządzienia przeczytać całą instrukcję obsługi.
	Ostrzeżenie! Niebezpieczeństwo odrzutu (odbicie). Należy uważać na odrzut piły łańcuchowej i unikać kontaktu z końcówką szyny.		Nie wolno używać urządzienia podczas deszczu ani w wilgotnym otoczeniu.
	Nosić okulary ochronne. Należy stosować naszuszki ochronne.		Nosić kask ochronny.
	Nosić zawsze rękawice ochronne i antywibracyjne podczas obsługi urządzienia.		Nosić zawsze antypoślizgowe obuwie ochronne z zabezpieczeniem przed przecięciem podczas obsługi urządzienia.
	Należy nosić odzież ochronną zakrywającą stopy, nogi, ręce i przedramiona.		Pilę łańcuchową należy zawsze obsługiwać dwoma rękami. Nie należy pracować z pilą łańcuchową jedną ręką.
	Uwaga! Użycie piły łańcuchowej w połączeniu z techniką wspinania się po linach. Przed rozpoczęciem pracy należy zapoznać się ze wszystkimi wskazówkami dotyczącymi pracy!		Stosowanie otwartego ognia w obszarze roboczym jest zabronione!
	Otwór wlewu paliwa dla paliwa. Mieszanka oleju i paliwa 1:40		Kierunek obrotów
	Zamknięcie zbiornika oleju dla oleju łańcuchowego		Ustawienie hamulca łańcuchowego: Biała strzałka: Hamulec łańcuchowy nieaktywny Czarna strzałka: Hamulec łańcuchowy aktywny
	Dźwignia zimnego rozruchu (zasysacz)		Zwalnianie hamulca łańcucha
	Uruchamianie hamulca łańcucha		Kierunek montażu łańcucha tnącego
	Ustawienie smarowania łańcucha		Gwarantowany poziom mocy akustycznej urządzienia.

	<p>Uwaga! Gorące elementy.</p>	 <p>push primer 6 times</p>	<p>Nacisnąć 6x pompę paliwową (Primer).</p>
<p><b>NIEBEZPIECZEŃSTWO</b></p>	<p>Słowo sygnalizacyjne oznaczające sytuację bezpośredniego niebezpieczeństwa, która, jeśli jej się nie uniknie, spowoduje śmierć lub poważne obrażenia ciała.</p>		
<p><b>OSTRZEŻENIE</b></p>	<p>Słowo sygnalizacyjne oznaczające sytuację potencjalnego niebezpieczeństwa, która, jeśli jej się nie uniknie, może spowodować śmierć lub poważne obrażenia ciała.</p>		
<p><b>OSTROŻNIE</b></p>	<p>Słowo sygnalizacyjne oznaczające sytuację potencjalnego niebezpieczeństwa, która, jeśli jej się nie uniknie, może spowodować niewielkie lub umiarkowane obrażenia ciała.</p>		
<p><b>WSKAZÓWKA</b></p>	<p>Słowo sygnalizacyjne oznaczające sytuację potencjalnego niebezpieczeństwa, która, jeśli jej się nie uniknie, może spowodować uszkodzenie produktu lub własności/posiadanego mienia.</p>		

## 2. Wskazówka dla użytkownika

### OSTRZEŻENIE:

**Przed pierwszym użyciem urządzenia należy dokładnie przeczytać niniejszą instrukcję eksploatacji i przestrzegać wskazówek bezpieczeństwa! Ta piła do przycinania drzew może być obsługiwana wyłącznie przez „operatorów pił do przycinania drzew z dodatkowym przeszkoleniem w zakresie pracy w klatkach z podnośnikami lub drabinami lub techniką wspinania się po linach”!**

**Należy starannie przechowywać instrukcję eksploatacji!**

### Wskazówka:

**Proszę mieć na uwadze, że niektóre przepisy krajowe mogą ograniczać użytkowanie maszyny.**



Ta piła do przycinania drzew została zaprojektowana specjalnie do pielęgnacji i chirurgii drzew. Wszystkie prace za pomocą piły do przycinania drzew zostały zaprojektowane specjalnie do pielęgnacji i chirurgii drzew. Wszystkie prace za pomocą piły do przycinania drzew mogą być wykonywane tylko przez przeszkolonych operatorów do przycinania drzew!

### 3. Wprowadzenie

#### PRODUCENT:

**Schepach GmbH**

Günzburger Straße 69

D-89335 Ichenhausen

#### SZANOWNY KLIENCIE,

Życzymy dużo satysfakcji i powodzenia podczas pracy z nowym urządzeniem.

#### WSKAZÓWKA:

Zgodnie z obowiązującą ustawą o odpowiedzialności cywilnej za produkt, producent nie odpowiada za szkody powstałe przy tym urządzeniu lub przez to urządzenie w przypadku:

- nieprawidłowej obsługi,
- nieprzestrzegania instrukcji obsługi,
- napraw wykonywanych przez osoby trzecie, specjalistów nieautoryzowanych,
- montażu i wymiany nieoryginalnych części zamiennych,
- użytkowania niezgodnego z przeznaczeniem.

#### Przestrzegać:

Przed przystąpieniem do montażu i uruchomienia przeczytać cały tekst instrukcji obsługi.

Instrukcja obsługi ma na celu ułatwienie zapoznania się z urządzeniem i wykorzystania możliwości użytkowania go zgodnie z przeznaczeniem.

Instrukcja obsługi zawiera ważne wskazówki dotyczące bezpiecznej, fachowej i ekonomicznej pracy z niniejszym urządzeniem oraz sposobu unikania zagrożeń, oszczędności kosztów napraw, redukcji czasów przestoju i zwiększenia niezawodności i trwałości urządzenia.

Dodatkowo oprócz zasad bezpieczeństwa zawartych w niniejszej instrukcji obsługi należy przestrzegać przepisów danego kraju obowiązujących dla eksploatacji urządzenia.

Instrukcję obsługi przechowywać przy urządzeniu, w torebce plastikowej chroniącej przed zanieczyszczeniem i wilgocią. Każda osoba obsługująca musi przeczytać ją przed przystąpieniem do pracy i dokładnie jej przestrzegać.

Przy urządzeniu mogą pracować wyłącznie osoby, które zostały przeszkolone w zakresie użytkowania urządzenia i poinstruowane o związanych z tym zagrożeniach. Przestrzegać ustawowego wieku minimalnego.

Oprócz wskazówek dotyczących bezpieczeństwa zawartych w niniejszej instrukcji obsługi i specjalnych przepisów danego kraju należy przestrzegać ogólnie uznanych zasad technicznych dotyczących eksploatacji maszyn o tej samej budowie.

Nie ponosimy odpowiedzialności za wypadki ani szkody powstałe wskutek nieprzestrzegania niniejszej instrukcji oraz wskazówek dotyczących bezpieczeństwa.

### 4. Opis urządzenia

1. Łańcuch tnący
2. Szyna prowadząca
3. Przednia osłona rąk
4. Pompa paliwowa „Primer”
5. Dźwignia gazu
6. Tylny uchwyt ręczny
7. Blokada dźwigni gazu
8. Uruchamiająca linka ciągnowa
9. Osłona filtra powietrza
10. Zamknięcie pokrywy filtra powietrza
11. Zamknięcie zbiornika oleju łańcuchowego
12. Przedni uchwyt ręczny
13. Zamknięcie zbiornika paliwa
14. Dźwignia zimnego rozruchu (zasysacz)
15. Włacznik / wyłącznik
16. Nakrętka mocująca
17. Osłona koła łańcuchowego
18. Tłumik hałasu
19. Zawieszenie
20. Klucz do świec / wkrętak szczelinowy
21. Osłona szyny prowadzącej
22. Pojemnik do mieszania
23. Śruba napinająca łańcuch
24. Ogranicznik pazurowy
25. Chwytnik łańcucha
26. Sworzeń napinający łańcucha
27. Koło łańcuchowe
28. Wpust prowadnicy
29. Sworzeń mocujący
30. Koło zębate
31. Otwór smarowania
32. Śruba regulacyjna oleju
33. Filtr powietrza
34. Świeca zapłonowa
35. Końcówka przewodu świecy zapłonowej
36. Głowica ssąca



## 5. Zakres dostawy

- Piła do przycinania drzew
- Łańcuch tnący
- Szyna prowadząca
- Osłona szyny prowadzącej
- Klucz do świec / wkrętek szczerelinowy
- Pojemnik do mieszania

## 6. Użytkowanie zgodne z przeznaczeniem

To narzędzie to szczególnie lekka, poręczna piła do przycinania drzew z rękojeścią nad głową. Piła do przycinania drzew została opracowana specjalnie z myślą o chirurgii i pielęgnacji drzew. Te piły do przycinania drzew mogą być obsługiwane wyłącznie przez „operatorów pił do przycinania drzew z dodatkowym przeszkoleniem w zakresie pracy w klatkach z podnośnikami lub drabinami lub techniką wspinania się po linach”. Do okazjonalnego stosowania w cienkim drewnie, przycinania drzew owocowych, delimitacji, przycinania na długość.

Przygotowanie drewna opałowego można przeprowadzać tylko wtedy, gdy średnica drewna nie przekracza długości cięcia (20 cm).

Do prac tego typu zalecamy konwencjonalną piłę silnikową o dużej odległości chwytu lub długości cięcia.

Komu nie wolno używać urządzenia:

Osoby, które nie zapoznały się z instrukcją obsługi; dzieci, młodzież poniżej 16 roku życia oraz osoby pozostające pod wpływem alkoholu, narkotyków lub leków, osoby zmęczone lub chore.

Urządzenie jest przeznaczone wyłącznie do cięcia drewna. Producent nie ponosi odpowiedzialności za szkody spowodowane niewłaściwym użytkowaniem lub nieprawidłową obsługą.

Urządzenie wolno użytkować wyłącznie zgodnie z jego przeznaczeniem. Każde inne użycie wykraczające poza to jest niezgodne z przeznaczeniem. Za wynikające z tego szkody i obrażenia wszelkiego rodzaju odpowiada użytkownik/operator, a nie producent.

Do zgodnego z przeznaczeniem wykorzystywania zalicza się również przestrzeganie wskazówek dotyczących bezpieczeństwa, a także instrukcji montażu i wskazówek dot. eksploatacji, zawartych w instrukcji obsługi.

Osoby obsługujące i konserwujące urządzenie muszą dobrze znać jej działanie oraz zostać poinformowane o ewentualnych zagrożeniach.

Ponadto należy jak najdokładniej przestrzegać obowiązujących przepisów dotyczących zapobiegania nieszczęśliwym wypadkom.

Podobnie zaleca się przestrzeganie wszelkich innych ogólnych zasad z dziedziny medycyny pracy i bezpieczeństwa technicznego.

Samowolne modyfikacje urządzenia wykluczają odpowiedzialność producenta za spowodowane tym szkody.

Należy pamiętać, że zgodnie z przeznaczeniem nasze urządzenie nie zostało skonstruowane do użytku komercyjnego, rzemieślniczego lub przemysłowego. Nie ponosimy odpowiedzialności w przypadku, gdy urządzenie jest stosowane w zakładach komercyjnych, rzemieślniczych i przemysłowych oraz do podobnych działalności.

### ZAGROŻENIE

Zgodnie z obowiązującą ustawą o odpowiedzialności cywilnej za produkt, producent nie odpowiada za szkody powstałe przy tym urządzeniu lub przez to urządzenie w przypadku:

- montażu i wymiany nieoryginalnych części zamiennych,
- usuwania lub modyfikacji komponentów zabezpieczeń.

### 6.1 Użytkowanie niezgodne z przeznaczeniem

- Niniejsze urządzenie nie nadaje się do wycinki.
- Nie należy używać szyny prowadzącej jako dźwigni do przesuwania pni drzew lub podobnych.
- Niedopuszczalne jest piłowanie drewna o średnicy powyżej 20 cm.

## 7. Wskazówki dotyczące bezpieczeństwa

### 7.1 Wskazówki ogólne

#### OSTRZEŻENIE

Podczas pracy z narzędziem należy być zawsze ostrożnym, zwracać uwagę na wykonywane czynności i zachowywać zdrowy rozsądek. Nie używać urządzenia w stanie choroby lub zmęczenia lub też będąc pod wpływem narkotyków, alkoholu lub leków. Chwila nieuwagi podczas używania urządzenia może spowodować poważne obrażenia.

Należy unikać niewłaściwego użytkowania, używać maszyny tylko w sposób opisany w punkcie „Użytkowanie zgodne z przeznaczeniem”.

Instrukcja obsługi zawiera ważne wskazówki o tym, jak bezpiecznie i fachowo pracować piłą łańcuchową oraz jak unikać zagrożeń.

Jeśli pomiędzy ciętym materiałem a łańcuchem tnącym nadal występuje zator, należy ją natychmiast wyłączyć. Odczekać, aż piła łańcuchowa całkowicie się zatrzyma. Zdjąć końcówkę przewodu świecy zapłonowej i naciągnąć osłonę rąk, aby usunąć blokadę. Jeżeli trzeba usunąć szynę prowadzącą (miecz), należy przestrzegać instrukcji opisanych w rozdziale „Montaż”. Po usunięciu blokady i ponownym montażu należy przeprowadzić jazdę próbną.

Jeśli podczas tego procesu zostaną wykryte wibracje lub dźwięki mechaniczne, należy przerwać pracę i skontaktować się z autoryzowanym serwisem. W przypadku częstszego występowania tego zagrożenia zaleca się przeprowadzenie nowego szkolenia.

- Przed uruchomieniem należy przeczytać instrukcję eksploatacji urządzenia i zwrócić szczególną uwagę na wskazówki dotyczące bezpieczeństwa.
- Umieszczone na urządzeniu znaki ostrzegawcze i informacyjne podają ważne informacje dla bezpiecznej obsługi.
- Oprócz wskazówek zawartych w instrukcji eksploatacji należy przestrzegać również rozważnie ogólnych przepisów bezpieczeństwa i zapobiegania wypadkom obowiązujących u ustawodawcy.
- Foliowe opakowanie przechowywać poza zasięgiem dzieci, ponieważ istnieje ryzyko uduszenia!
- Nieodpowiednio poinformowani operatorzy mogą stanowić zagrożenie dla siebie i innych poprzez niewłaściwe użytkowanie. Operator ponosi odpowiedzialność wobec osób trzecich.
- Przed rozpoczęciem pracy sprawdzić działanie dźwigni gazu. Musi on automatycznie powrócić do pozycji neutralnej po zwolnieniu.
- Nie należy pracować jednorazowo dłużej niż 10 minut. Wskazane jest robienie 10 - 20 minutowych przerw między etapami pracy.
- Urządzenie należy wypożyczać tylko użytkownikom, którzy mają z nim doświadczenie. Instrukcja eksploatacji musi być przekazana w tym samym czasie.
- Niektóre zadania związane z cięciem wymagają specjalnego szkolenia i umiejętności. W razie jakichkolwiek wątpliwości skonsultować się ze specjalistą.

- Pierwszych użytkowników należy poinstruować, aby zapoznali się z funkcjami urządzenia. Dla własnego bezpieczeństwa należy wziąć udział w państwowym kursie obsługi piły mechanicznej.
- Gdy urządzenie nie jest używane, musi być zaparkowane w taki sposób, aby nikt nie był zagrożony. Zabezpieczyć przed nieuprawnionym dostępem.
- Użytkownik urządzenia jest odpowiedzialny za wszystkie wypadki i zagrożenia, które powodują szkody dla innych osób lub ich mienia.
- Dzieciom, młodzieży i osobom o ograniczonej sprawności fizycznej, sensorycznej lub umysłowej nie wolno używać piły łańcuchowej. Wyjątki istnieją tylko dla młodzieży powyżej 16 roku życia w kontekście szkolenia pod nadzorem specjalisty.
- Elektryczny układ zapłonowy urządzenia generuje niewielkie pole elektromagnetyczne. W przypadku noszenia rozrusznika serca lub podobnego implantu, przed użyciem urządzenia należy skonsultować się z lekarzem, aby uniknąć zagrożenia dla zdrowia.
- Należy mieć na uwadze, że nieprawidłowa konserwacja, stosowanie nieodpowiednich części zamiennych, usunięcie lub modyfikacja urządzeń zabezpieczających może prowadzić do uszkodzenia urządzenia i ciężkich obrażeń osób pracujących z maszyną.

## 7.2 Osobiste wyposażenie ochronne (PSA)

### ZAGROŻENIE

Należy zawsze stosować środki ochrony indywidualnej (PPE), takie jak ochrona oczu (przyłbica lub gogle), ochrona głowy, rąk, nóg i stóp, odpowiednio do wspinania się na drzewa!

- Nosić kask ochronny z ochroną twarzy lub okulary ochronne i nauszniki ochronne.
- Nosić ściśle dopasowaną odzież ochronną z wkładką chroniącą przed przecięciem.
- Nosić antypoślizgowe obuwie ochronne.
- Nosić rękawice ochronne.
- Należy unikać luźnych ubrań, które mogą się zaplątać.
- Nie należy nosić szalika, krawata ani biżuterii!
- W przypadku długich włosów należy użyć siatki do włosów!
- Do wszystkich prac w lesie należy zakładać kask ochronny. Zapewnia to ochronę przed spadającymi gałęziami. Regularnie sprawdzać kask ochronny pod kątem uszkodzeń. Należy go wymienić najpóźniej po 5 latach. Używać tylko zatwierdzonych kasków ochronnych.
- Osłona twarzy lub okulary ochronne chronią przed trocinami i odpryskami drewna. Aby uniknąć obrażeń oczu, podczas pracy z urządzeniem należy zawsze nosić osłonę twarzy lub okulary ochronne.

- Zawsze nosić nauszniki ochronne. Hałas emitowany przez urządzenie może spowodować uszkodzenie słuchu.
- Nosić solidne rękawice ochronne wykonane z odpornego materiału, np. skóry.
- Podczas cięcia suchego drewna należy nosić maskę przeciwpyłową. Może powstać pył z cięcia.
- Podczas pracy na drzewie użytkownik może spaść. Użytkownik może zostać poważnie ranny lub zabity. Nosić sprzęt chroniący przed upadkiem.

### 7.3 Przechowywanie i transport

- Przed każdym transportem należy wyłączyć piłę łańcuchową, nawet na krótszych odcinkach. Urukończyć hamulec łańcuchowy i zamontować osłonę łańcucha.
- Podczas transportu i przechowywania należy stosować osłonę łańcucha.
- Zabezpieczyć maszynę przed przewróceniem się podczas transportu (również w pojazdach), aby zapobiec utracie paliwa, uszkodzeniu lub obrażeniu ciała.
- Urządzenie należy przenosić wyłącznie za rękojeść przednią. Szyna prowadząca skierowana jest do tyłu, z dala od ciała.
- Gorący tłumik hałasu należy trzymać z dala od ciała. Istnieje ryzyko poparzenia!
- Przed przechowywaniem piły łańcuchowej należy ją wyczyścić i zakonserwować.
- Przechowywać urządzenie w bezpiecznym i suchym miejscu. Należy również zabezpieczyć ją przed dostępem osób nieupoważnionych.

### 7.4 Bezpieczeństwo środowiska

- Przepisy krajowe i/lub gminne mogą nakładać ograniczenia czasowe na korzystanie z urządzeń generujących hałas, napędzanych silnikiem. Należy zapytać o to swoją lokalną administrację.
- Urządzenie nie może być eksploatowane w pomieszczeniach zamkniętych lub w innych słabo wentylowanych miejscach. Istnieje niebezpieczeństwo uduszenia spowodowane toksycznymi spalinami/oparami oleju smarowego.
- Prace wykonywać tylko przy świetle dziennym.
- Nie należy również pracować w niekorzystnych warunkach atmosferycznych, takich jak deszcz lub wiatr. Występuje tu zwiększone ryzyko wypadków.
- Utrzymywać obszar roboczy w czystości i zapewnić porządek.
- Przed i w trakcie pracy trzymać z dala dzieci, inne osoby i zwierzęta. W przypadku odchylenia można stracić kontrolę nad urządzeniem.

- Przed rozpoczęciem pracy upewnić się, że w strefie zagrożenia nie ma osób, zwierząt ani mienia.
- Nie należy pracować w pobliżu ogrodzeń z drutu lub w miejscach z luźnym starym drutem.
- Należy mieć przygotowany środek gaśniczy podczas pracy w środowisku wysoce łatwopalnym, takim jak sucha trawa itp. Istnieje niebezpieczeństwo wywołania pożaru!

### 7.5 Włać paliwo

- Benzyna jest bardzo łatwopalna. Podczas tankowania należy trzymać się z dala od otwartego ognia i nie palić podczas tankowania. Istnieje niebezpieczeństwo wywołania pożaru!
- Uważać, żeby nie rozlać oleju. Benzyna lub olej łańcuchowy nie mogą dostać się do gleby. Zabrać odpowiednią dokumentację, która będzie pomocna.
- Tankować tylko w dobrze wentylowanych pomieszczeniach. Opary benzyny mogą łatwo zapalić się lub wybuchnąć.
- Przed tankowaniem wyłączyć silnik i pozwolić urządzeniu ostygnąć. Jeśli doszło do rozlania benzyny, natychmiast oczyścić dotknięte miejsca. Nie dopuść również do tego, aby paliwo dostało się na ubranie, w przeciwnym razie natychmiast je przebrać.
- Unikać również kontaktu skóry i oczu z benzyną lub środkami smarnymi (olej).
- Nie wdychać oparów benzyny / oleju smarowego.
- Należy uważać na przecieki. W przypadku wycieku benzyny nie należy uruchamiać silnika. Istnieje niebezpieczeństwo poparzenia.
- Zamknięcie zbiornika otwierać tylko ostrożnie, aby istniejące nadciśnienie mogło się powoli ulotnić i aby nie doszło do rozpylenia benzyny.

### 7.6 Przed uruchomieniem

#### OSTRZEŻENIE

Kontrole należy przeprowadzać zawsze przed uruchomieniem i przy wyłączonym silniku.

Przed każdym użyciem i po upadku na podłoże sprawdzić, czy stan urządzenia nie zagraża bezpieczeństwu eksploatacji. Sprawdzić, czy wszystkie ruchome części działają prawidłowo. Wiele wypadków jest spowodowanych nieprawidłową konserwacją narzędzi. Naprawę uszkodzonych części należy zlecić wykwalifikowanemu personelowi.

Piłę łańcuchową i wyposażenie należy stosować wyłącznie zgodnie z niniejszą instrukcją. Uwzględnić warunki pracy i wykonywane czynności. Używanie narzędzia silnikowego do zastosowań innych, niż przewidziane, może prowadzić do niebezpiecznych sytuacji.

- Regularnie sprawdzać prawidłowość działania hamulca łańcuchowego (przednia osłona rąk, patrz rys. 2).
- Sprawdzić szynę prowadzącą, aby upewnić się, że jest prawidłowo zamontowana.
- Sprawdzić, czy łańcuch tnący jest prawidłowo napięty. Stosować się do instrukcji smarowania, napinania łańcucha i wymiany akcesoriów. Nieprawidłowo naprężony lub nasmarowany łańcuch może się zerwać lub zwiększać ryzyko odrzutu.
- Narzędzia tnące muszą być ostre i utrzymywane w stanie czystości. Regularnie ostrzyć i w odpowiednim czasie wymieniać zużyte części. Starannie konserwowane narzędzia tnące z krawędziami tnącymi rzadziej się zacinają i są łatwiejsze w obsłudze.
- Sprawdź, czy dźwignia gazu i blokada dźwigni gazu są łatwe do poruszania. Dźwignia gazu musi sprężycie powrócić do pozycji wyjściowej.
- Sprawdź, czy w zbiorniku znajduje się wystarczająca ilość paliwa i oleju do smarowania łańcucha.
- Sprawdź, czy uchwyty są czyste, suche i wolne od oleju i brudu.
- Nigdy nie wykonywać prac w pojedynkę. W sytuacji awaryjnej ktoś musi być w pobliżu.
- Użyć piły łańcuchowej tylko stojąc na stabilnym, pewnym i równym podłożu. Unikać nietypowej pozycji ciała. Śliskie podłoże lub niestabilna pozycja (np. na drabinie), mogą spowodować utratę równowagi lub kontroli nad piłą łańcuchową. Zadbaj o stabilną pozycję i zachowanie równowagi w każdej chwili. Pozwala to na lepsze sterowanie piłą łańcuchową w nieoczekiwanych sytuacjach.
- Nie pracować z pilarką łańcuchową na drzewie. W przypadku używania na drzewie występuje ryzyko obrażeń.
- Nigdy nie piłować ponad wysokość ramion.
- Trzymać piłę łańcuchową zawsze prawą ręką za tylny uchwyt, a lewą ręką za przedni uchwyt. Trzymanie piły łańcuchowej podczas pracy w odwrotny sposób zwiększa ryzyko obrażeń i nie wolno go stosować.
- Podczas pracy piły łańcuchowej trzymać wszystkie części ciała z dala od łańcucha tnącego. Przed uruchomieniem piły łańcuchowej należy upewnić się, że łańcuch tnący niczego nie dotyka. Jeden moment nieuwagi podczas pracy z piłą łańcuchową może prowadzić do pochwylenia odzieży lub części ciała przez łańcuch tnący.
- Natychmiast wyłączyć piłę łańcuchową, jeżeli wystąpią zauważalne zmiany w pracy urządzenia.
- W przypadku kontaktu piły łańcuchowej z kamieniami, gwoździami lub innymi twardymi przedmiotami należy natychmiast wyłączyć silnik i sprawdzić, czy piła łańcuchowa i szyna prowadząca nie są uszkodzone.

- Nie upuszczać piły łańcuchowej, nie rzucać nią o przeszko- dy i nigdy nie używać szyny prowadzącej jako dźwigni.
- Piłować piłą łańcuchową tylko w drewnie.
- Przepiłowując naprężoną gałąź, należy liczyć się z możliwością jej odskoczenia. Gdy przestanie działać siła naprężająca włókna drewna, odskakująca gałąź może trafić osobę obsługującą i/lub wyrwać pilarkę łańcuchową spod kontroli.
- Szczególną ostrożność zachować przy cięciu poszycia i młodych drzew. Pilarka łańcuchowa może pochwyć cienki materiał i wyrzucić go w stronę osoby obsługującej albo spowodować utratę równowagi.

## 7.7 Wibracje

### OSTRZEŻENIE

Należy unikać zagrożeń związanych z wibracjami, np. ryzyka wystąpienia choroby białych palców (zaburzenia krążenia), robiąc częste przerwy w pracy, np. pocierając dłonie o siebie.

- Zawsze należy używać rękawic ochronnych i upewnić się, że ręce są ciepłe.
- Zwracać uwagę, by łańcuch był zawsze czysty.
- Zapewnić regularne przerwy w pracy.

## 7.8 Środki ostrożności przeciw odrzutowi

### OSTRZEŻENIE

Podczas pracy należy uważać na odrzut urządzenia. Istnieje niebezpieczeństwo odniesienia obrażeń. Dzięki ostrożności i prawidłowej technice cięcia można uniknąć niepowodzeń.

- Kontakt z czubkiem szyny prowadzącej może w pewnych przypadkach powodować nieoczekiwaną reakcję i ruch skierowany do tyłu, w trakcie którego szyna prowadząca łańcucha jest odrzucana do góry w kierunku osoby obsługującej.
- Odrzut może wystąpić, gdy czubek szyny prowadzącej zetknie się z jakimś przedmiotem lub gdy drewno wygnie się i spowoduje zablokowanie łańcucha tnącego w trakcie cięcia.
- Zakleszczenie łańcucha tnącego na górnej krawędzi szyny prowadzącej może spowodować szybkie i niekontrolowane cofnięcie piły łańcuchowej w kierunku roboczym.
- Zakleszczenie łańcucha tnącego na dolnej krawędzi szyny prowadzącej może spowodować szybkie i niekontrolowane oderwanie piły łańcuchowej od kierunku roboczego.
- Należy zachować szczególną ostrożność podczas używania piły łańcuchowej do kontynuowania cięcia w rozpoczętym już cięciu.

- Nie należy piłować gałęzi lub kawałków drewna, które mogłyby zmienić swoje położenie podczas cięcia lub w których cięcie zamyka się podczas cięcia.
- Każda z tych reakcji może prowadzić do tego, że osoba obsługująca straci kontrolę nad piłą i może doznać ciężkich obrażeń. Nie należy polegać wyłącznie na zabezpieczeniach zainstalowanych w pile łańcuchowej. Jako użytkownik piły łańcuchowej należy podjąć różne środki, aby praca przebiegała bez wypadków i urazów.

Odrzut jest następstwem niewłaściwego lub nieprawidłowego użycia. Można go uniknąć przez zachowanie opisanych poniżej odpowiednich środków ostrożności:

- Piłę trzymać mocno oburącz, przy czym kciuki i palce muszą obejmować uchwyty piły łańcuchowej. Ciało i ramiona należy ustawić w takiej pozycji, by móc zamortyzować siłę odrzutu. Zachowując odpowiednie środki ostrożności, osoba obsługująca może zapanować nad siłą odrzutu. Nigdy nie puszczaj piły łańcuchowej.
- Unikać nietypowej pozycji ciała i nie piłować powyżej wysokości ramion. Pozwala to uniknąć niezamierzonego zetknięcia z czubkiem szyny prowadzącej i zapewnia lepszą kontrolę nad pilarką łańcuchową w nieoczekiwanych sytuacjach.
- Zawsze stosować zalecane przez producenta prowadnice zamienne i łańcuchy tnące. Nieprawidłowe prowadnice zamienne i łańcuchy tnące mogą spowodować zerwanie łańcucha tnącego i/lub odrzut.
- Przestrzegać instrukcji producenta dotyczących ostrzenia i konserwacji łańcucha tnącego. Zbyt nisko ustawione ograniczniki głębokości zwiększają ryzyko odrzutu.
- Nie piłować czubkiem miecza. Istnieje niebezpieczeństwo odbicia. (rys. 7)
- Należy upewnić się, że w obszarze cięcia nie ma gwoździ ani kawałków metalu. Należy zwrócić szczególną uwagę na gwoździe lub kawałki żelaza wokół miejsca cięcia. Należy również uważać przy cięciu twardego drewna, gdzie łańcuch może się zaczepić. Może to wywołać odrzut.
- Rozpocząć cięcie z pełną mocą i zawsze utrzymywać piłę łańcuchową na maksymalnej prędkości podczas cięcia.
- Należy upewnić się, że na podłożu nie ma żadnych przedmiotów, o które można się potknąć.

### 7.9 Zachowanie i technika pracy

- Pracować tylko w warunkach dobrej widoczności i oświetlenia. Zwrócić szczególną uwagę na śliskie warunki, wilgoć, lód i śnieg (niebezpieczeństwo poślizgu). Istnieje zwiększone ryzyko poślizgnięcia się na świeżo złuszczonym drewnie (korze).

- Nie pracować na niestabilnym podłożu. Uważać na przeszkody w obszarze roboczym, niebezpieczeństwo potknięcia. Należy zachować ostrożność, aby zapewnić bezpieczne stanowisko przez cały czas.
- Nigdy nie piłować powyżej wysokości ramion.
- Nie piłować stojąc na drabinie.
- Nigdy nie wchodzić na drzewo z piłą łańcuchową i nie wykonywać prac bez odpowiednich systemów ograniczających dla człowieka i maszyny. Zawsze zaleca się wykonywanie prac z platformy roboczej.
- Nie pracować ze zbyt mocnym wychyleniem do przodu.
- Prowadzić piłę łańcuchową w taki sposób, aby żadna część ciała nie znajdowała się w przedłużonym zakresie obrotu łańcucha tnącego.
- Drewno należy piłować tylko za pomocą piły łańcuchowej.
- Nie należy dotykać ziemi pracującym łańcuchem tnącym.
- Oczyszczyć miejsce cięcia z ciał obcych, takich jak piasek, kamienie, gwoździe itp. Ciała obce uszkadzają przyrząd tnący i mogą prowadzić do niebezpiecznego odrzutu, a także do wyrzucenia.
- Przy cięciu drewna należy stosować bezpieczne podparcie (w miarę możliwości konik). Drewno nie może być trzymane stopą ani przez inną osobę.
- Okragłe drewno musi być zabezpieczone przed przekroczeniem w trakcie cięcia.
- Nigdy nie należy pracować bez ogranicznika pazurowego, piła łańcuchowa może pociągnąć operatora do przodu. Stosować ogranicznik pazurów do cięcia pni drzew lub grubych gałęzi. Zastosowanie ogranicznika pazurów zwiększa bezpieczeństwo pracy, zmniejsza obciążenie osobiste podczas pracy oraz redukuje wibracje.
- W przypadku cięć ścinających i poprzecznych listwa zębata (ogranicznik pazurów) musi być przyłożona do ciętego drewna. Zastosowanie listwy zębatkowej jest również zalecane przy przepiłowywaniu grubych gałęzi.
- Przed każdym cięciem poprzecznym należy mocno osadzić listwę zębatkową i dopiero wtedy wcinąć się w drewno przy pracującym łańcuchu tnącym. Piła jest podciągana za tylny uchwyt i prowadzona za uchwyt jarmowy. Listwa zębatkowa służy jako punkt obrotu. Zmiana położenia odbywa się poprzez lekki nacisk na uchwyt jarmowy. Odciągnąć piłę łańcuchową do tyłu po trochu. Opuścić listwę zębatkową i ponownie pociągnąć do góry tylny uchwyt.
- Zachować ostrożność przy cięciu drewna z drzazgami. Odcięte kawałki drewna mogą być przenoszone (niebezpieczeństwo odniesienia obrażeń).

- W przypadku zakleszczenia się łańcucha tnącego podczas cięcia może dojść do uderzenia górną częścią piły łańcuchowej w kierunku operatora. Dlatego też, jeśli to możliwe, należy ciąć spodem szyny prowadzącej, ponieważ piła łańcuchowa jest odciążana od korpusu w kierunku drewna.
- Drewno pod napięciem należy zawsze ciąć najpierw po stronie naciśku. Dopiero wtedy można wykonać cięcie rozdzielające po stronie naciągu. Zapobiega to zakleszczaniu się szyny.
- Podczas pracy na drzewie może dojść do upadku piły elektrycznej. Ludzie mogą zostać poważnie ranni i może dojść do zniszczenia mienia. Zabezpieczyć piłę elektryczną za pomocą zawieszenia.
- Przed doprowadzeniem łańcucha tnącego do obszaru cięcia może dojść do bocznego zeslizgiwania się lub podskakowania piły silnikowej.

## ⚠ UWAGA

### Zwiększone ryzyko odrzutu!

Aby zachować całkowitą kontrolę w momencie „przecięcia”, należy pod koniec cięcia zmniejszyć docisk bez zwalniania mocnego trzymania uchwytów piły łańcuchowej. Zwrócić uwagę, aby łańcuch tnący nie dotykał podłoża. Po zakończeniu cięcia odczekać przed wyjęciem pilarki do całkowitego zatrzymania się łańcucha tnącego. Zawsze należy wyłączyć silnik piły łańcuchowej przed przejściem z drzewa na drzewo.

## ⚠ OSTRZEŻENIE

Przy dłuższych pracach może wskutek wibracji w rękach osoby obsługującej wystąpić zakłócenie ukrwienia (syndrom białych palców).

Syndrom białych palców stanowi schorzenie naczyń krwionośnych, przy którym małe naczynia krwionośne w palcach rąk i stóp ulegają nagłym skurczom. Dotknięte obszary nie są wystarczająco zaopatrzone w krew i stają się dlatego nie-samowicie blade. Częste stosowanie urządzeń wibrujących może u osób, których ukrwienie jest pogorszone (np. palacze, cukrzycy), spowodować uszkodzenie nerwów.

W razie zaobserwowania nietypowych pogorszeń stanu zdrowia natychmiast zakończyć pracę i skontaktować się z lekarzem.

Aby zredukować niebezpieczeństwo, należy przestrzegać poniższych wskazówek:

- Przy chłodnej pogodzie zapewniać ciepło dla ciała, a zwłaszcza dla rąk.

- Regularnie przerywać pracę i poruszać palcami, aby wspomóc ukrwienie.
- Zadbaj o możliwie niewielkie wibracje maszyny poprzez jej regularną konserwację i stałe elementy urządzenia.

## 7.10 Ryzyka szczątkowe

### ⚠ ZAGROŻENIE

#### NIEBEZPIECZEŃSTWO ODNIESIENIA OBRAŻEŃ!

Kontakt z łańcuchem tnącym może prowadzić do śmiertelnych obrażeń.

Nigdy nie sięgaj rękami do łańcucha tnącego.

#### NIEBEZPIECZEŃSTWO ODRZUTU!

Odrzut może prowadzić do śmiertelnych ran ciętych.

#### RYZYKO POPARZENIA!

Podczas pracy łańcuch i szyna prowadząca nagrzewają się.

**Urządzenie zostało skonstruowane zgodnie z najnowszym stanem techniki i uznanymi zasadami bezpieczeństwa technicznego. Jednak podczas pracy mogą się pojawić poszczególne ryzyka szczątkowe.**

Ponadto, pomimo wszelkich podjętych kroków, mogą się pojawić ukryte ryzyka szczątkowe.

Ryzyka szczątkowe można zminimalizować przestrzegając rozdziału „Wskazówki bezpieczeństwa” oraz „Użytkowanie zgodne z przeznaczeniem”, jak i całej instrukcji obsługi.

## 8. Dane techniczne

Maszyna bez miecza

Dł. x szer. x wys.....	270 x 230 x 240 mm
Masa bez paliwa, bez zestawu tnącego ok.....	3,4 kg
Masa bez paliwa, z zestawem tnącym ok.....	3,8 kg
Zbiornik na olej do smarowania łańcucha.....	0,16 l
Zawartość zbiornika paliwa.....	0,23 l
Mieszanka oleju i paliwa .....	1:40
Długość cięcia .....	20 cm
Długość miecza .....	30 cm
Automatyczne smarowanie łańcucha.....	tak
Podział łańcucha.....	3/8" (9,525 mm)
Grubość ogniwa łańcucha .....	1,27 mm
Typ łańcucha .....	3/8LP-40
Liczba zębów koła napędowego łańcucha .....	6
Podziałka zębów koła napędowego łańcucha.....	3/8"
Typ miecza.....	AP10-40-509P

Prędkość łańcucha maks.....	21 m/s
Silnik.....	1-cylindrowy, 2-suwowy, chłodzony powietrzem
Pojemność skokowa silnika.....	25,4 cm <sup>3</sup>
Maks. moc silnika zgodnie z ISO 7293.....	0,7 kW
Prędkość obrotowa na biegu jałowym n <sub>0</sub> .....	3300 ± 300 min <sup>-1</sup>
Maksymalna prędkość obrotowa z zestawem łańcuch.....	11000 min <sup>-1</sup>
Świeca zapłonowa.....	L8RTC

**Poziom ciśnienia akustycznego powinien być obniżony do poziomu, który nie wpływa na zdrowie operatora, w zależności od zastosowania i wykonywanej pracy. Poziom ciśnienia akustycznego na stanowisku pracy może przekraczać 80 dB. W tym przypadku wymagane są środki izolacji dźwiękowej dla użytkownika (np. noszenie środków ochrony słuchu).**

**Emisję hałasu oraz wibracje należy ograniczyć do minimum!**

- Stosować wyłącznie sprawne urządzenia.
- Urządzenie poddawać regularnej konserwacji i czyszczeniu.
- Dostosować metodę pracy do urządzenia.
- Nie przeciążać urządzenia.
- W razie potrzeby oddać urządzenie do przeglądu.
- Gdy urządzenie nie jest używane, powinno być wyłączone.
- Zakładać rękawice.

Zmierzony poziom ciśnienia akustycznego L <sub>PA</sub> .....	99,2 dB
Niepewność K <sub>PA</sub> .....	3 dB
Gwarantowany poziom ciśnienia akustycznego L <sub>WA</sub> .....	113 dB
Zmierzony poziom ciśnienia akustycznego L <sub>WA</sub> .....	108,7 dB
Niepewność K <sub>WA</sub> .....	3 dB

Wibracja, przedni uchwyt.....	8,98 m/s <sup>2</sup>
Wibracja, tylny uchwyt.....	8,03 m/s <sup>2</sup>
Niepewność.....	1,5 m/s <sup>2</sup>

**Nosić nauszники ochronne.**

Hałas może powodować utratę słuchu.

Podane wartości emisji hałasu zostały zmierzone według znormalizowanej metody badań i mogą zostać użyte w celu porównania danego urządzenia z innym.

Podane wartości emisji hałasu mogą zostać wykorzystane również do wykonania tymczasowego oszacowania obciążenia.

**Ostrzeżenie:**

- W trakcie rzeczywistego użytkowania urządzenia wartości emisji hałasu mogą różnić się od podanych wartości, w zależności od rodzaju i sposobu zastosowania urządzenia, a w szczególności rodzaju przedmiotu obrabianego.
- Ograniczać obciążenie do minimum. Przykładowe środki zaradcze: ograniczenie czasu pracy. Przy tym należy uwzględnić wszystkie części cyklu eksploatacyjnego (np. czas, w którym urządzenie jest wyłączone, oraz czas, w którym jest włączone, ale pracuje bez obciążenia).

## 9. Przed uruchomieniem

1. Otworzyć opakowanie i wyjąć ostrożnie urządzenie.
2. Usunąć materiał opakowaniowy oraz zabezpieczenia opakowania transportowe (jeśli występują).
3. Sprawdzić, czy zakres dostawy jest kompletny.
4. Sprawdzić urządzenie i elementy wyposażenia pod kątem uszkodzeń w trakcie transportu.
5. W miarę możliwości zachować opakowanie do zakończenia okresu gwarancyjnego.
6. Zdjąć skróconą instrukcję obsługi z uruchamiającej linki ciągnowej (8).

### UWAGA

Urządzenie i materiały opakowaniowe nie mogą służyć jako zabawka dla dzieci! Dzieciom nie wolno bawić się workami z tworzywa sztucznego, foliami i drobnymi elementami! Istnieje niebezpieczeństwo połknięcia i uduszenia!

### 9.1 Montaż szyny prowadzącej (2) i łańcucha tnącego (1)

#### OSTRZEŻENIE

#### Niebezpieczeństwo odniesienia obrażeń

Podczas dotykania łańcucha tnącego (1) należy zawsze nosić rękawice ochronne. Niebezpieczeństwo odniesienia obrażeń na ostrych zębach tnących!

Stosować tylko dopuszczone kombinacje łańcucha tnącego (1) i szyny prowadzącej (2) (patrz rozdział „Zatwierdzone zestawy tnące”).

Montaż przeprowadzać zawsze przy wyłączonym silniku.

#### Wskazówka

Nowy łańcuch tnący (1) ulega wydłużeniu i wymaga częstszego napinania. Regularnie sprawdzać i regulować napięcie łańcucha.

W zależności od zużycia, szyna prowadząca (2) może zostać obrócona.

1. Umieścić piłą łańcuchową na płaskiej, stabilnej powierzchni.
2. Odciągnąć przednią osłonę rąk (3) do tyłu do oporu, aby zwolnić hamulec łańcuchowy. (Rys. 2)
3. Usunąć obie nakrętki mocujące (16) za pomocą klucza do świec (20).
4. Zdjąć osłonę koła łańcuchowego (17).
5. Obracać śrubę napinającą łańcucha (23) w kierunku przeciwnym do ruchu wskazówek zegara, aż stworzeń napinający łańcucha (26) znajdzie się na właściwym ograniczniku (rys. 3). Do tego celu należy użyć wkrętaka szczelinowego (20).
6. Przesunąć otwór szczelinowy szyny prowadzącej (2) na dwie wystające śruby mocujące (29).
7. Umieścić łańcuch tnący (1) na zębach koła zębatego (27). Włożyć dokładnie łańcuch tnący (1) w kierunku wskazanym na szynie prowadzącej (2). W końcówce szyny prowadzącej (2) znajduje się koło zębate (30), w którego zęby należy włożyć łańcuch tnący (1). (rys. 6 i 18)
8. Pociągnąć lekko za szynę prowadzącą (2), aby lekko naprężyć łańcuch tnący (1).
9. Ponownie włożyć osłonę koła łańcuchowego (17). Upewnić się, że wewnętrzny sworzeń napinający łańcucha (26) pasuje do pasującego otworu w szynie prowadzącej (2). W razie potrzeby wyregulować śrubę napinającą łańcucha (23) za pomocą wkrętaka szczelinowego (20).
10. Przykręcić ręcznie dwie nakrętki mocujące (16). Należy jednak pamiętać, aby jeszcze ich nie dokręcać. Nakrętki mocujące (16) są dokręcane dopiero po napięciu łańcucha tnącego (1).

## 9.2 Napinanie i sprawdzanie łańcucha tnącego (1)

### OSTRZEŻENIE

Nosić rękawice ochronne! Niebezpieczeństwo odniesienia obrażeń na ostrych zębach tnących!

Napięcie łańcucha należy regularnie kontrolować, zawsze przed uruchomieniem.

Kontrole należy przeprowadzać zawsze przed uruchomieniem i przy wyłączonym silniku.

1. Przed napięciem poluzować lekko dwie nakrętki mocujące (16) za pomocą klucza do świec zapłonowych (20).

2. Aby zmniejszyć napięcie, należy obrócić śrubę napinającą łańcucha (23) w kierunku ruchu wskazówek zegara za pomocą śrubokręta płaskiego (20).
3. Dokręcić obie nakrętki mocujące (16) za pomocą klucza do świec (20).
4. Łańcuch tnący (1) musi stykać się ze spodnią stroną miecza. Sprawdzić, czy łańcuch tnący (1) (przy zwolnionym hamulcu łańcuchowym) odciągnąć przednią osłonę rąk (3) do tyłu daje się przeciągnąć ręcznie przez szynę prowadzącą (2).

### WSKAZÓWKA

Nowy łańcuch tnący (1) ulega wydłużeniu i wymaga częstszego napinania.

## 9.3 Mieszanie paliwa

Silnik może pracować jedynie z mieszanką paliwową z benzyny i oleju silnikowego.

### OSTRZEŻENIE

Unikać bezpośredniego kontaktu paliwa ze skórą oraz wdychania oparów paliwowych.

Używać wyłącznie mieszankę bezołowiowej benzyny (min. ROZ 95) i specjalnego 2-taktowego oleju silnikowego (JASO FD/ISO - L - EGD). Mieszankę paliwową mieszać zgodnie z wytycznymi z tabeli mieszania paliw.

Do dołączonego pojemnika do mieszania (22) dodawać zawsze odpowiednią ilość benzyny i oleju 2-taktowego (patrz „Tabela mieszania paliw“). Następnie dobrze wstrząsnąć pojemnikiem do mieszania (22).

### 9.3.1 Tabela mieszania paliw

**Sposób mieszania: 40 dawek benzyny na 1 dawkę oleju**

**Benzyna ..... Olej 2-taktowy  
0,5 litrów ..... 12,5 ml**

## 9.4 Napełnianie paliwem (rys. 8)

### OSTRZEŻENIE

Paliwo należy wlewać tylko wtedy, gdy silnik jest wyłączony i ostygł. Istnieje niebezpieczeństwo wywołania pożaru!

1. Przed rozpoczęciem tankowania należy zawsze oczyścić okolice zamknięcia zbiornika paliwa (13), aby zapobiec przedostawaniu się zanieczyszczeń do zbiornika paliwa. Do tego celu należy użyć suchej, niestrzępiącej się szmatki.



2. Ułożyć urządzenie na boku tak, aby zamknięcie zbiornika paliwa (13) było skierowane do góry.
3. Obrócić zamknięcie zbiornika paliwa (13) w kierunku przeciwnym do ruchu wskazówek zegara i otworzyć go. Zamknięcie zbiornika paliwa (13) jest połączone z urządzeniem zabezpieczającym przed zgubieniem w zbiorniku paliwa, dzięki czemu nie może spaść.
4. Włączyć mieszankę paliwową do zbiornika paliwa. Nie należy rozlewać paliwa podczas tankowania i nie należy napędnąć zbiornika paliwa po brzegi.
5. Zetrzeć natychmiast rozlane paliwo.
6. Obrócić zamknięcie zbiornika paliwa (13) zgodnie z ruchem wskazówek zegara, aby go zamknąć.

## WSKAZÓWKA

Po każdym tankowaniu paliwa należy również sprawdzić stan oleju łańcuchowego.

### 9.5 Spuszczanie paliwa

**Opróżnić zbiornik paliwa tylko na zewnątrz lub w dobrze wentylowanych pomieszczeniach. Zwracać uwagę, aby paliwo nie przedostało się do gleby (ochrona środowiska). Użyć odpowiedniej podkładki.**

1. Pod zbiornikiem paliwa trzymać pojemnik wylapujący.
2. Odkręcić i zdjąć zamknięcie zbiornika paliwa (13) zbiornika paliwa.
3. Całkowicie spuścić benzynę/mieszankę oleju.
4. Ponownie ręcznie wkręcić zamknięcie zbiornika paliwa (13).

### 9.6 Napełnianie olejem łańcuchowym (rys. 8)

#### OSTRZEŻENIE

Olej do łańcucha tnącego należy wlewać tylko wtedy, gdy silnik jest wyłęczony i ostygł. Istnieje niebezpieczeństwo wywołania pożaru!

Nigdy nie pracować bez smarowania łańcucha! Jeśli łańcuch tnący (1) będzie suchy, zestaw tnący zostanie w krótkim czasie nieodwracalnie zniszczony.

Przed rozpoczęciem pracy należy zawsze sprawdzić smarowanie łańcucha.

## WSKAZÓWKA

Należy stosować wyłącznie olej do łańcucha tnącego. Najlepiej, aby ulegał biodegradacji. Nie należy stosować oleju opadowego, oleju silnikowego itp.

Podczas pracy należy sprawdzić, czy smarowanie łańcucha jest sprawne.

1. Przed rozpoczęciem tankowania należy zawsze oczyścić okolice zamknięcia zbiornika oleju łańcuchowego (11) aby zapobiec przedostawaniu się zanieczyszczeń do zbiornika oleju łańcuchowego. Do tego celu należy użyć suchej, niestrzępiącej się szmatki.
2. Ułożyć urządzenie na boku tak, aby zamknięcie zbiornika oleju łańcuchowego (11) było skierowane do góry.
3. Obrócić zamknięcie zbiornika oleju łańcuchowego (11) w kierunku przeciwnym do ruchu wskazówek zegara i otworzyć go. Zamknięcie zbiornika oleju łańcuchowego (11) jest połączone z urządzeniem zabezpieczającym przed zgubieniem w zbiorniku oleju łańcuchowego, dzięki czemu nie może spaść.
4. Wlać organiczny olej łańcuchowy do zbiornika oleju łańcuchowego. Nie należy rozlewać oleju łańcuchowego podczas tankowania i nie należy napędnąć zbiornika oleju łańcuchowego po brzegi.
5. Natychmiast wytrzeć rozlany olej łańcuchowy.
6. Obrócić zamknięcie zbiornika oleju łańcuchowego (11) zgodnie z ruchem wskazówek zegara, aby go zamknąć.

## 10. Uruchamianie

### OSTROŻNIE

Należy przestrzegać przepisów prawnych dotyczących ochrony przed hałasem.

Przed każdym uruchomieniem sprawdzić urządzenie pod kątem:

- szczelności systemu paliwowego
- nienaganego stanu i kompletności urządzeń ochronnych i narzędzia do cięcia
- stałego osadzenia wszystkich połączeń śrubowych
- lekkiego przesuwania wszystkich ruchomych części

### Wskazówki dotyczące pracy

Przed zastosowaniem należy zapoznać się z obsługą piły łańcuchowej.

### 10.1 Uruchamianie silnika

#### UWAGA

Przed uruchomieniem urządzenia odsunąć się przynajmniej 3 metry od miejsca tankowania (rys. 9).

Uruchamiającą linkę ciągnową (8) wyciągać zawsze prosto. Mocno przytrzymać uchwyt uruchamiającej linki ciągnowej (8), gdy uruchamiająca linka ciągnowa (8) ponownie się wciąga. Nigdy nie pozwolić na odbicie uruchamiającej linki ciągnowej (8).

Natychmiast po uruchomieniu silnika zwolnić dźwignię gazu (5). Przed zwolnieniem hamulca łańcuchowego należy upewnić się, że obroty silnika powróciły do poziomu biegu jałowego (przesunąć przednią osłonę rąk (3) do tyłu).

Dźwignię zimnego rozruchu (zasysacz) (14) wyciągnąć tylko do rozruchu.

### 10.1.1 Uruchamianie w przypadku zimnego silnika

#### OSTRZEŻENIE

Przed każdym użyciem należy włączyć hamulec łańcuchowy (przesunąć przednią osłonę rąk (3) do przodu).

#### UWAGA

Nigdy nie pozwalać, aby uruchamiająca linka ciągnowa (8) została cofnięta. Może to prowadzić do uszkodzeń.

1. Zdjąć osłonę szyny prowadzącej (21).
2. Ustawić piłę łańcuchową na stabilnym, płaskim podłożu. Łańcuch tnący (1) nie może dotykać podłoża.
3. Popchnąć przednią ochronę rąk (3) aż do jej zatrzaśnięcia. Piła łańcuchowa (1) jest blokowana przez hamulec łańcuchowy.
4. Nacisnąć 6x pompę paliwa „Primer” (4). (Rys. 1)
5. Ustawić włącznik/wyłącznik (15) na „ON”. (Rys. 1)
6. Wyciągnąć dźwignię zimnego rozruchu (zasysacz) (14). (Rys. 10.2)
7. Przytrzymać piłę łańcuchową za przednią rękkojeść (12) i powoli wyciągać uruchamiającą linkę ciągnową (8), aż do pierwszego oporu.
8. Wtedy szybko pociągnąć uruchamiającą linkę ciągnową (8), aż do uruchomienia silnika. Jeżeli silnik nie uruchomi się, ponownie powtórzyć czynności. Dopóki dźwignia zimnego rozruchu (zasysacz) (14) jest wyciągnięta, silnik uruchamia się tylko na krótko, a następnie zatrzymuje się ponownie.
9. Gdy silnik się wyłączy, uruchomić jednocześnie blokadę dźwigni gazu (7) i dźwignię gazu (5). Dźwignia zimnego rozruchu (zasysacz) (14) automatycznie przeskakuje w położenie robocze „Gorący rozruch”. (Rys. 10.1)
10. Wtedy ponownie szybko pociągnąć uruchamiającą linkę ciągnową (8), aż do uruchomienia silnika.

Jeżeli silnik nie zaskoczy po kilku próbach, przeczytać rozdział „Rozwiązywanie problemów”.

### WSKAZÓWKA

Przy wysokich temperaturach na zewnątrz może się zdarzyć, że przy zimnym silniku będzie konieczne uruchomienie bez dźwigni zimnego rozruchu (zasysacz) (14)!

- Zwolnić hamulec łańcuchowy przez pociągnięcie przedniej osłony rąk (3) do tyłu. (Rys. 2)
- **OSTROŻNIE!** Hamulec łańcuchowy jest teraz zwolniony. Jeżeli dźwignia gazu (5) jest obsługiwana razem z blokadą dźwigni gazu (7), uruchamia się łańcuch tnący (1).

### 10.1.2 Uruchamianie w przypadku ciepłego silnika

(Urządzenie stało w miejscu przez mniej niż 15–20 minut.)

#### OSTRZEŻENIE

Przed każdym użyciem należy włączyć hamulec łańcuchowy (przesunąć przednią osłonę rąk (3) do przodu).

1. Popchnąć przednią ochronę rąk (3) aż do jej zatrzaśnięcia. Piła łańcuchowa (1) jest blokowana przez hamulec łańcuchowy.
2. Ustawić włącznik/wyłącznik (15) na „ON”.
3. Dźwignia zimnego rozruchu (zasysacz) (14) musi w celu uruchomienia ciepłego silnika nie być zaciągnięta.
4. Przytrzymać piłę łańcuchową za przednią rękkojeść (12) i powoli wyciągać uruchamiającą linkę ciągnową (8), aż do pierwszego oporu.
5. Szybko pociągnąć uruchamiającą linkę ciągnową (8). Urządzenie powinno się uruchomić po 1–2 pociągnięciach. Jeżeli urządzenie po 6 pociągnięciach nadal się nie uruchomiło, powtórzyć proces opisany w punkcie „Uruchamianie przy zimnym silniku”.

## 10.2 Wyłączanie silnika

### 10.2.1 Kolejność postępowania przy wyłączeniu awaryjnym

Jeśli konieczne jest natychmiastowe zatrzymanie urządzenia, należy ustawić włącznik/wyłącznik (15) w pozycji „OFF”. (Rys. 1)

### 10.2.2 Normalna kolejność postępowania

1. Zwolnić dźwignię gazu (5). Silnik przechodzi na obroty biegu jałowego.
2. Ustawić wtedy przełącznik wł./wyt. (15) na „OFF”. (Rys. 1)

### 10.3 Eksploatacja w biegu jałowym

#### UWAGA

Na biegu jałowym łańcuch tnący (1) musi być nieruchomy.

#### WSKAZÓWKA

Jeżeli łańcuch tnący (1) znajduje się w trybie jałowym lub silnik automatycznie gaśnie przy odejmowaniu gazu, należy dokonać ustawienia gaźnika (patrz rozdział „Konserwacja ustawienia gaźnika”).

1. Podnieść piłę łańcuchową.
2. Przytrzymać lewą ręką za przednią rękojeść (12).
3. Przytrzymać prawą ręką za przednią rękojeść (6). Kłęb kciuka przylega do blokady dźwigni gazu (7) a palec wskazujący uruchamia dźwignię gazu (5).
4. Po jednokrotnym uruchomieniu dźwigni gazu (5) silnik pracuje w biegu jałowym.
5. Pozostawić silnik na chwilę do rozgrzania.

### 10.4 Sprawdzanie i ustawianie smarowania łańcucha

#### UWAGA

- Nigdy nie pracować bez smarowania łańcucha! Jeśli łańcuch tnący (1) będzie suchy, zestaw tnący zostanie w krótkim czasie nieodwracalnie zniszczony.
- Przed rozpoczęciem pracy należy zawsze sprawdzić smarowanie łańcucha.

#### Wskazówka

Stosować tylko olej do łańcucha tnącego, najlepiej biodegradowalny. Nie należy stosować oleju odpadowego, oleju silnikowego itp.

Podczas pracy, przy średniej prędkości obrotowej, należy trzymać piłę łańcuchową nad odpitowanym pniakiem drzewa lub odpowiednim podłożem. Jeśli smarowanie jest wystarczające, na pniu lub podstawie drzewa utworzy się lekka warstwa oleju.

- W razie potrzeby można zwiększyć lub zmniejszyć smarowanie łańcucha za pomocą śruby regulacyjnej oleju (32) (rys. 11).
- W tym celu należy użyć dołączonego do zestawu wkrętaka szczelinowego (20):
  - Najpierw nacisnąć, a następnie obrócić śrubę regulacyjną oleju (32) zgodnie z ruchem wskazówek zegara, aby zmniejszyć smarowanie łańcucha.
  - Najpierw nacisnąć, a następnie obrócić śrubę regulacyjną oleju (32) w kierunku przeciwnym do ruchu wskazówek zegara, aby zwiększyć smarowanie łańcucha.

### 10.5 Kontrola hamulca łańcuchowego

#### OSTRZEŻENIE

Przed każdym użyciem należy sprawdzić hamulec łańcuchowy.

Hamulec łańcuchowy powoduje natychmiastowe wyhamowanie łańcucha tnącego (1) w przypadku odrzutu.

1. Upewnić się, że przednia osłona rąk (3) jest wolna od zanieczyszczeń i łatwo się porusza.
2. Uruchomić piłę łańcuchową i przyspieszyć pracę łańcucha tnącego (1) do pełnej prędkości (pełny gaz).
3. Uruchomić przednią ochronę rąk (3) przy pracującym łańcuchu tnącym (1). Hamulec łańcucha musi zatrzymać łańcuch tnący (1) przy maks. prędkości i zablokować.

#### OSTRZEŻENIE

Zbyt długie utrzymywanie podwyższonej prędkości obrotowej silnika przy zablokowanym hamulcu łańcuchowym spowoduje uszkodzenie silnika i napędu łańcuchowego.

Jeżeli łańcuch tnący (1) nadal się porusza, należy skontaktować się z serwisem.

## 11. Zastosowanie

### 11.1 Prace związane z odgałęzianiem

- Zawsze należy pamiętać o niebezpieczeństwie odłamania się gałęzi.
- Podczas odgałęziania nie należy stawać na pniu.
- Nie należy piłować końcówką szyny. (rys. 7)
- Nigdy nie piłować kilku gałęzi jednocześnie.
- W miarę możliwości podeprzeć piłę łańcuchową za pomocą ogranicznika pazurowego (24) podczas odgałęzienia.
- Należy upewnić się, że po zakończeniu cięcia piła łańcuchowa może się wychylić pod własnym ciężarem. Nie jest już podpierana podczas cięcia, należy trzymać ją w odpowiedni sposób.
- Podczas odgałęziania przyjąć pewną, stabilną i bezpieczną postawę.

#### 11.1.1 Prace związane z odgałęzianiem w sekcjach

Przed ostatecznym cięciem należy skrócić długie lub grube gałęzie. W przeciwnym razie łańcuch tnący (1) może się łatwo zakleszczyć.

### 11.1.2 Obróbka drewna pod wpływem naprężeń

Podczas pracy z drewnem poddawany naprężeniom należy bezwzględnie przestrzegać właściwej kolejności. W przeciwnym razie łańcuch tnący (1) może się zakleszczyć lub wystąpić odrzut.

Drewno pod napięciem należy zawsze ciąć najpierw po stronie nacisku. Dopiero wtedy można wykonać cięcie rozdzielające po stronie naciągu. (Rys. 24)

Zapobiega to zakleszczaniu się łańcucha tnącego (1).

## ⚠ UWAGA

### Szkody materialne!

Łączące drewno nie może dotykać podłoża od spodu punktu cięcia, w przeciwnym razie łańcuch tnący (1) może zostać uszkodzony.

### Oddbicie

- Zakleszczenie łańcucha tnącego (1) na górnej krawędzi szyny prowadzącej (2) może spowodować szybkie i niekontrolowane cofnięcie piły łańcuchowej w kierunku roboczym.

### Wciągnięcie

- Zakleszczenie łańcucha tnącego (1) na dolnej krawędzi szyny prowadzącej (2) może spowodować szybkie i niekontrolowane oderwanie piły łańcuchowej od kierunku roboczego.

### Bezpieczna praca

- Utrzymywać urządzenie w dobrym stanie technicznym, aby zapobiec obrażeniom.
- Po upuszczeniu urządzenia należy sprawdzić, czy nie ma znaczących uszkodzeń lub wad.
- Nie należy używać urządzenia stojąc na drabinie lub na niebezpiecznym stojaku.
- Nie należy ulegać pokusie wykonania pochopnego cięcia. Może to stanowić zagrożenie dla siebie i innych.
- Regularnie zmieniać pozycję pracy. Dłuższe użytkowanie urządzenia może spowodować problemy z krążeniem w dłońach z powodu drgań. Można jednak wydłużyć czas użytkowania, zakładając odpowiednią osłonę rąk lub robiąc regularne przerwy. Należy pamiętać, że osobiste predyspozycje do słabego krążenia, niskie temperatury zewnętrzne lub duże siły chwytu podczas pracy skracają czas użytkowania.

### 11.2 Pień drzewny jest wygięty w dół

1. Najpierw należy wykonać cięcie odciążające 1 (ok. 1/3 średnicy bała) po stronie nacisku.
2. Następnie wykonać cięcie rozdzielające 2 (ok. 2/3 średnicy pnia) po stronie naciągu.

### 11.3 Pień drzewny jest wygięty w górę

1. Najpierw należy wykonać cięcie odciążające 1 (ok. 1/3 średnicy bała) po stronie nacisku.
2. Następnie wykonać cięcie rozdzielające 2 (ok. 2/3 średnicy pnia) po stronie naciągu.

### 11.4 Zastosowanie piły do przycinania drzew w połączeniu z techniką wspinania się po linach

Niniejszy załącznik przedstawia odpowiednie praktyki robocze mające na celu zmniejszenie ryzyka odniesienia obrażeń w związku z używaniem pił łańcuchowych przy pielęgnacji drzew podczas pracy na wysokości z użyciem liny i pasów nośnych. Choć może służyć jako przewodnik i lektura szkoleniowa, nie należy jej traktować jako substytutu formalnego szkolenia. Wskazówki podane w niniejszym załączniku służą jedynie jako przykład dobrych praktyk.

Mogą obowiązywać przepisy krajowe lub inne, które mogą być bardziej restrykcyjne.

Użytkownik piły łańcuchowej do pielęgnacji drzew, który pracuje na wysokości przy użyciu liny i pasów nośnych, nigdy nie powinien pracować sam. Do pomocy powinien być obecny pracownik naziemny przeszkolony w zakresie odpowiednich procedur awaryjnych.

Użytkownik powinien być przeszkolony w zakresie ogólnych technik bezpiecznego wspinania i pozycjonowania pracy oraz powinien być wyposażony w pas nośny, liny, zawiesia, karabinki i inny sprzęt umożliwiający uzyskanie bezpiecznych i prawidłowych pozycji pracy zarówno dla siebie, jak i dla piły. Należy zawsze ściśle przestrzegać krajowych przepisów i regulacji.

Dodatek ten nie obejmuje technik kontroli gałęzi i gałązek ścinanych przez piłę łańcuchową, ani nie zawiera omówionych już punktów dotyczących bezpiecznego użytkowania.

#### 11.4.1 Wymagania ogólne

Użytkownik piły łańcuchowej do pielęgnacji drzew, który pracuje na wysokości przy użyciu liny i pasów nośnych, nigdy nie powinien pracować sam. Do pomocy powinien być obecny pracownik naziemny przeszkolony w zakresie odpowiednich procedur awaryjnych.

Użytkownik powinien być przeszkolony w zakresie ogólnych technik bezpiecznego wspinania i pozycjonowania pracy oraz powinien być wyposażony w pas nośny, liny, zawiesia, karabinki i inny sprzęt umożliwiający uzyskanie bezpiecznych i prawidłowych pozycji pracy zarówno dla siebie, jak i dla piły.

#### 11.4.2 Przygotowanie przed użyciem piły do przycinania drzew

Piła łańcuchowa powinna być sprawdzona, zatankowana, uruchomiona i rozgrzana przez pracownika naziemnego, a następnie wyłączona przed podniesieniem jej do użytkownika na drzewie.

Piła łańcuchowa powinna być wyposażona w odpowiednie zawiesie, tak aby można ją było przymocować do pasa nośnego użytkownika (rys. 13):

- Zamocować zawiesie do zawieszenia (19) znajdującego się z tyłu piły łańcuchowej (rys. 12).
- Należy zapewnić odpowiednie karabinki umożliwiające pośrednie (tj. poprzez zawiesie) i bezpośrednie (tj. do zawieszenia (19) piły łańcuchowej) przymocowanie piły do pasa nośnego użytkownika.
- Po podciągnięciu piły łańcuchowej do użytkownika należy upewnić się, że jest ona bezpiecznie zamocowana (rys. 14).
- Przed zwolnieniem piły łańcuchowej z przewodu podnoszącego należy upewnić się, że jest ona zamocowana na pasie nośnym.

Możliwość zamocowania piły łańcuchowej bezpośrednio do pasa nośnego zmniejsza ryzyko uszkodzenia wyposażenia podczas przenoszenia go w drzewie. Piła łańcuchowa powinna być zawsze wyłączona, gdy jest przymocowana bezpośrednio do pasa nośnego.

Piła łańcuchowa powinna być mocowana wyłącznie do zalecanych zawieszni na pasie nośnym. Mogą one znajdować się na środku (z przodu lub z tyłu) lub po bokach. Jeżeli jest to możliwe, należy zamocować piłę łańcuchową na środkowym, tylnym elemencie pasa nośnego, tak aby nie dotykała ona lin wspinaczkowych i aby ciężar był umieszczony centralnie pod kregostupem użytkownika.

Jeżeli piła łańcuchowa jest przenoszona z jednego zawieszenia na drugie, użytkownicy powinni upewnić się, że piła łańcuchowa jest zabezpieczona w nowym położeniu przed zwolnieniem jej z poprzedniego zawieszenia.

#### 11.5 Zastosowanie piły łańcuchowej w drzewie

Z analizy wypadków z udziałem tych pił łańcuchowych podczas prac związanych z pielęgnacją drzew wynika, że główną przyczyną jest nieprawidłowe posługiwanie się piłą łańcuchową jedną ręką.

W większości wypadków użytkownicy nie przyjmują zabezpieczonej pozycji roboczej, która pozwala na trzymanie piły łańcuchowej za oba uchwyty, co skutkuje zwiększonym ryzykiem obrażeń z następujących przyczyn:

- Brak pewnego chwytu przy odrzuceniu piły łańcuchowej.
- Brak kontroli nad piłą łańcuchową, co ułatwia jej kontakt z linami wspinaczkowymi oraz z ciałem użytkownika (zwłaszcza lewą ręką i ramieniem).
- Utrata kontroli z powodu niebezpiecznej pozycji roboczej i tym samym kontaktu z piłą łańcuchową (nieoczekiwane ruchy podczas pracy z piłą łańcuchową).

#### 11.6 Bezpieczna pozycja pracy dla osób obu-ręcznych

Aby móc trzymać piłę łańcuchową obiema rękami, użytkownicy powinni zawsze starać się przyjąć bezpieczną pozycję roboczą, prowadząc piłę w następujący sposób:

- na wysokości pasa przy cięciu elementów poziomych.
- na wysokości brzucha przy cięciu elementów pionowych.

Jeżeli użytkownik pracuje w pobliżu pionowo biegnącego pnia z niewielkimi siłami bocznymi do pozycji roboczej, bezpieczne trzymanie stóp może być wystarczające dla bezpiecznej pozycji roboczej. Jednak gdy tylko użytkownicy oddalą się od pnia, muszą podjąć dodatkowe działania w celu zmniejszenia lub przeciwdziałania narastającym siłom bocznym, np. poprzez skierowanie liny głównej przez dodatkowe zawieszenie lub zastosowanie regulowanego zawiesia prowadzącego od upręży do dodatkowego zawieszenia (rys. 15 i 16).

##### 11.6.1 Rozpoczęcie pracy z piłą łańcuchową w drzewie

Przy uruchamianiu piły łańcuchowej na drzewie użytkownik powinien:

- Przed rozpoczęciem pracy uruchomić hamulec łańcuchowy (przesunąć przednią osłonę rąk (3) do przodu).
- Podczas uruchamiania należy trzymać piłę łańcuchową z lewej lub prawej strony ciała:
  - Trzymając piłę łańcuchową po lewej stronie lewą ręką na przednim uchwycie i odpychając piłę od ciała, trzymając w prawej ręce linę wyrzutową.
  - Trzymając piłę łańcuchową po prawej stronie prawą ręką na jednym z dwóch uchwytów i odpychając piłę od ciała, trzymając w lewej ręce linę wyrzutową.

Przed opuszczeniem pracującej piły łańcuchowej za linę nośną należy zawsze włączyć hamulec łańcuchowy.

Przed trudnymi pracami związanymi z piłowaniem użytkownik powinien zawsze upewnić się, że piła łańcuchowa ma wystarczającą ilość paliwa.

### 11.6.2 Używanie piły łańcuchowej jedną ręką

Użytkownicy nie powinni używać pił łańcuchowych do pielęgnacji drzew jedną ręką w niestabilnej pozycji roboczej lub zamiast piły ręcznej do obcinania końcówek gałęzi o małej średnicy.

Piły łańcuchowe do pielęgnacji drzew powinny być używane jedną ręką tylko wtedy, gdy

- a. nie jest możliwe uzyskanie przez użytkowników pozycji roboczej umożliwiającej obsługę dwuręczną.
- b. gdy konieczne jest zabezpieczenie pozycji roboczej jedną ręką.
- c. gdy piła łańcuchowa jest używana w pozycji całkowicie wysuniętej, pod kątem prostym i poza linią ciała użytkownika.

Użytkownicy nigdy nie powinni:

- Piłować z zachowaniem obszaru odrzutu na końcu szyny prowadzącej (2) piły łańcuchowej.
- Trzymając się gałęzi, na której piłują.
- Próbować łapać spadające części.

### 11.6.3 Uwalnianie zakleszczonej piły łańcuchowej

Jeżeli podczas cięcia piła łańcuchowa ulegnie zakleszczeniu, użytkownik powinien:

1. Wyciągnąć piłę łańcuchową i zamocować ją bezpiecznie w kierunku wnętrza drzewa (tj. w kierunku pnia) lub do oddzielnej liny narzędziowej.
2. Wyciągnąć piłę łańcuchową z nacięcia, podnosząc jednocześnie gałąź tak daleko, jak to konieczne,
3. W razie potrzeby zastosować piłę ręczną lub drugą piłę łańcuchową w celu poluzowania zakleszczonej piły łańcuchowej, przycinając ją w odległości co najmniej 30 cm od zakleszczonej piły.

Niezależnie od tego, czy do uwolnienia uwięzionej piły łańcuchowej używana jest piła ręczna czy piła łańcuchowa, cięcia w celu uwolnienia piły łańcuchowej powinny być zawsze wykonywane po zewnętrznej stronie (w kierunku końcówek gałęzi), tak aby piła łańcuchowa nie porwała się z odciętymi częściami i jeszcze bardziej nie skomplikowała sytuacji.

## 12. Transport

- Podczas transportu należy zawsze używać osłony szyny prowadzącej (21).
- Przed każdym transportem należy wyłączyć piłę łańcuchową, nawet na krótszych odcinkach. Zabezpieczyć maszynę przed przewróceniem się podczas transportu (również w pojazdach), aby zapobiec utracie paliwa, uszkodzeniu lub obrażeniu ciała.

- Uruchomić hamulec łańcuchowy (przesunąć przednią osłonę rąk (3) do przodu).
- Urządzenie należy przenosić wyłącznie za rękojeść przednią (12). Szyna prowadząca (2) skierowana jest do tyłu, z dala od ciała.
- Gorący tłumik hałasu (18) należy trzymać z dala od ciała. Istnieje ryzyko poparzenia! (Rys. 23)

## 13. Czyszczenie i konserwacja

### OSTRZEŻENIE

#### Niebezpieczeństwo odniesienia obrażeń!

Przed przystąpieniem do prac czyszczących należy zawsze wyłączyć urządzenie i odłączyć końcówkę przewodu świecy zapłonowej (35).

(patrz rozdział 13.4 „Konserwacja świec zapłonowych” (34)).

#### Wskazówka

Urządzenia należy dokładnie czyścić po każdym użyciu.

Czyszczenie i konserwację przeprowadzać tylko zgodnie z opisem w niniejszej instrukcji obsługi. Dalsze czynności mogą być wykonywane tylko przez wykwalifikowany personel.

Prace konserwacyjne muszą być przeprowadzane regularnie (patrz rozdział „Okresy konserwacji”).

### 13.1 Czyszczenie jednostki silnikowej

### OSTRZEŻENIE

#### Ryzyko poparzenia!

Nie dotykać gorących tłumików hałasu, cylindrów ani żeberek chłodzących.

- W miarę możliwości osłony, szczeliny wentylacyjne i obudowę silnika powinny być wolne od pyłu i zanieczyszczeń. Przedmuchać je sprężonym powietrzem pod niskim ciśnieniem.
- Urządzenie powinno się regularnie czyścić wilgotną szmatką i niewielką ilością środka płuczącego. Zwracać uwagę, aby do wnętrza urządzenia nie dostała się woda.

### 13.2 Czyszczenie filtra powietrza (33) (rys. 17)

Zabrudzone filtry powietrza zmniejszają wydajność silnika poprzez zbyt małe doprowadzanie powietrza do gaźnika.

Dlatego regularna kontrola jest niezbędna. Filtr powietrza (33) należy sprawdzać regularnie, a w razie potrzeby wyczyścić.

W przypadku silnego zapylenia powietrza filtr powietrza (33) należy sprawdzać częściej.

1. Poluzować zamknięcie pokrywy filtra powietrza (10), obracając ją w kierunku przeciwnym do ruchu wskazówek zegara.
2. Wykręcić pokrywę filtra powietrza (9).

3. Wyjąć filtr powietrza (33).
4. Wyczyścić filtr powietrza (33) wystukując ją lub przedmuchiując (sprężonym powietrzem).

Montaż odbywa się w odwrotnej kolejności.

### UWAGA

Nigdy nie czyścić filtra powietrza (33) za pomocą benzyny lub palnych rozpuszczalników.

## 13.3 Czyszczenie napędu łańcuchowego

### OSTRZEŻENIE

#### Niebezpieczeństwo odniesienia obrażeń!

Podczas dotykania łańcucha tnącego (1) należy zawsze nosić rękawice ochronne. Niebezpieczeństwo odniesienia obrażeń na ostrych zębach tnących!

#### Wskazówka

Czyścić napęd łańcuchowy po każdym użyciu.

1. Umieścić piłę łańcuchową na płaskiej, stabilnej powierzchni.
2. Odciągnąć przednią osłonę rąk (3) do tyłu do oporu, aby zwolnić hamulec łańcuchowy. (Rys. 2)
3. Aby zmniejszyć napięcie, należy obrócić śrubę napinającą łańcucha (23) w kierunku przeciwnym do ruchu wskazówek zegara za pomocą śrubokręta płaskiego (20).
4. Usunąć obie nakrętki mocujące (16) za pomocą klucza do świec (20).
5. Zdjąć osłonę koła łańcuchowego (17).
6. Ostrożnie zdjąć łańcuch tnący (1) z szyny prowadzącej (2) i koła łańcuchowego (27).
7. Wyjąć szynę prowadzącą (2). W tym celu stosować pędzelek.
8. Teraz dokładnie wyczyścić cały obszar napędu łańcuchowego oraz osłonę koła zębatego (17) za pomocą szczotki lub przez przedmuchiwanie (sprężonym powietrzem).

Montaż odbywa się w odwrotnej kolejności.

## 13.4 Konserwacja świecy zapłonowej (34)

(rys. 19 / 20)

1. Zdemontować filtr powietrza (33) zgodnie z opisem w punkcie 13.2 „Czyszczenie filtra powietrza (33)”.
2. Wyjąć końcówkę przewodu świecy zapłonowej (35), obracając ją w lewo i w prawo i jednocześnie pociągając. Przytrzymać i ciągnąć końcówkę przewodu świecy zapłonowej (35) tylko za wtyczkę. Nigdy nie ciągnąć za kabeł!

3. Poluzować świecę zapłonową (34) za pomocą dołączanego klucza do świec zapłonowych (20).
4. Montaż odbywa się w odwrotnej kolejności.

Odstęp elektrod = 0,6 mm - 0,7 mm (Odległość między elektrodami, między którymi generowana jest iskra zapłonowa). Sprawdzić świecę zapłonową (34) po 10 roboczogodzinach pod kątem zabrudzeń i wyczyścić ją ewentualnie szczotką drucianą.

Następnie przeprowadzać konserwację świecy zapłonowej (34) co 50 roboczogodzin.

## 13.5 Konserwacja smarowania łańcucha

- Patrz rozdział „Sprawdzanie i ustawianie smarowania łańcucha”.

## 13.6 Konserwacja i ustawianie gaźnika

- Jeżeli łańcuch tnący (1) znajduje się w trybie jałowym lub silnik automatycznie gaśnie przy odejmowaniu gazu, należy dokonać ustawienia gaźnika.

#### Wskazówka

Ustawienia gaźnika (np. prędkość obrotowa na biegu jałowym) zlecać do wykonania wyłącznie wykwalifikowanemu, specjalistycznemu personelowi, aby uniknąć uszkodzenia silnika.

## 13.7 Konserwacja szyny prowadzącej (2)

- Usunąć ewentualne zadziory powstałe na krawędzi szyny za pomocą pilnika do metalu.
- Wpust szyny prowadzącej (2) oczyścić pędzelkiem lub sprężonym powietrzem (rys. 21). Wymienić szynę prowadzącą (2), gdy tylko wpust prowadnicy (28) ulegnie zużyciu.
- Obracać szynę prowadzącą (2) po każdym zastosowaniu, aby zapewnić równomierne zużycie.
- Sprawdzić, czy koło zębate (30) na końcu szyny prowadzącej (2) pracuje płynnie. W razie potrzeby nasmarować je olejem do łożysk. Niech trochę oleju łożyskowego kapnie do otworu smarowania (31). (Rys. 21)

## 13.8 Kontrola hamulca łańcuchowego

Patrz rozdział 10.5 „Kontrola hamulca łańcuchowego”

### OSTRZEŻENIE

#### NIEBEZPIECZEŃSTWO ODRZUTU!

Niedziałający hamulec łańcuchowy zwiększa ryzyko odrzutu. Regularnie sprawdzać hamulec łańcuchowy. Sprawny hamulec łańcuchowy jest niezbędny dla Twojego bezpieczeństwa.

### 13.9 Napinanie i sprawdzanie łańcucha tnącego (1)

Patrz rozdział 9.2 „Kontrola i napinanie łańcucha tnącego (1)”

### 13.10 Ostrzenie i pielęgnacja łańcucha tnącego (1)

#### OSTRZEŻENIE

#### Niebezpieczeństwo odniesienia obrażeń!

Podczas dotykania łańcucha tnącego (1) należy zawsze nosić rękawice ochronne. Niebezpieczeństwo odniesienia obrażeń na ostrych zębach tnących!

#### Wskazówka

Optymalnie zadbane i naostrzone łańcuch tnący (1) zmniejsza obciążenie fizyczne, zużycie i prowadzi do dobrego rezultatu cięcia.

Regularnie czyścić, pielęgnować i ostrzyć łańcuch tnący (1).

Regularnie kontrolować łańcuch tnący (1) pod kątem pęknięć i uszkodzonych nitów.

Istnieje możliwość zamocowania stojaka do szlifowania w celu zapewnienia bezpiecznego mocowania podczas szlifowania.

Do zawartego w zakresie dostawy łańcucha tnącego (1) stosować tylko specjalne pilniki okrągłe o  $\varnothing$  4,8 mm (3/16”).

W zestawie do ostrzenia znajdują się szczegółowe informacje dotyczące procesu ostrzenia.

Ewentualnie można zastosować elektryczną ostrzałkę do łańcuchów i postępować zgodnie z instrukcją producenta.

W razie wątpliwości co do prawidłowego wykonania pracy należy wymienić łańcuch tnący (1).

W razie potrzeby zlecić naostrzenie łańcucha tnącego (1) w specjalistycznym warsztacie.

- Wymagane wyposażenie (nieobjęte zakresem dostawy):
  - Pilniki okrągłe do łańcuchów tnących  $\varnothing$  4,8 mm (3/16”)
  - Pilnik płaski
  - Ogranicznik głębokości
- Piłować tylko ruchem do przodu, aby usunąć materiał.
- Piłować z kątem ostrym ok. 25° przy nachyleniu 10° do szyny prowadzącej (2).
- Sprawdzić odległość granicy głębokości za pomocą ogranicznika głębokości.
- Prawidłowa odległość ogranicznika głębokości powinna wynosić 0,6 mm (0,024”).

### 13.11 Okresy konserwacji

W celu zagwarantowania długiego okresu użytkowania oraz uniknięcia szkód i zapewnienia pełnej sprawności urządzeń zabezpieczających należy regularnie przeprowadzać poniżej opisane prace konserwacyjne. Roszczenia z tytułu gwarancji są uznawane tylko pod warunkiem, że prace te były wykonywane regularnie i prawidłowo. W przypadku nieprzestrzegania tych wskazówek istnieje niebezpieczeństwo wypadku!

Użytkownicy pił łańcuchowych mogą przeprowadzać prace konserwacyjne i pielęgnacyjne, które opisano w niniejszej instrukcji eksploatacji.

Prace wykraczające poza ich zakres mogą być wykonywane tylko przez warsztat specjalistyczny.

Informacje ogólne	Cała piła do przycinania drzew	Wyczyścić na zewnątrz i sprawdzić pod kątem uszkodzeń. W razie uszkodzeń natychmiast zlecić profesjonalną naprawę.
	łańcuch tnący	Regularnie ostrzyć, wymieniać we właściwym czasie.
	Hamulec łańcuchowy	Regularnie zlecać kontrolę w warsztacie specjalistycznym
	Szyna prowadząca	Obracać, aby obciążane powierzchnie robocze zużywały się równomiernie. Wymieniać w odpowiednim czasie.
Przed każdym uruchomieniem	łańcuch tnący	Sprawdzić pod kątem uszkodzeń i ostrości. Skontrolować napięcie łańcucha.
	Szyna prowadząca	Sprawdzić pod kątem uszkodzeń.
	Smarowanie łańcucha	Kontrola działania
	Hamulec łańcuchowy	Kontrola działania
	Włącznik / wyłącznik, blokada dźwigni gazu, dźwignia gazu	Kontrola działania
	Zamknięcie zbiornika paliwa i oleju łańcuchowego	Sprawdzić pod kątem szczelności.



Codziennie	Filtr powietrza	Czyszczenie
	Szyna prowadząca	Sprawdzić pod kątem uszkodzeń, wyczyścić otwór wlewu oleju
	Element ustalający szynę	Wyczyścić, w szczególności wpust prowadzący oleju
	Prędkość obrotowa na biegu jałowym	Skontrolować (łańcuch nie może się poruszać)
co tydzień	Obudowa wentylatora	Wyczyścić, aby zagwarantować bezusterkowe prowadzenie powietrza chłodzącego
	Świeca zapłonowa	Sprawdzić, w razie potrzeby wymienić
	Tłumik hałasu	Sprawdzić pod kątem uciążliwości hałasu
	Chwytnik łańcucha	Sprawdzić pod kątem uszkodzeń, w razie potrzeby wymienić
	Śruby i nakrętki	Sprawdzić stan i prawidłowe osadzenie
co kwartał	Głowica ssąca Zbiornik paliwa, oleju do łańcucha	Wymienić Czyszczenie
	Przechowywanie	
Przechowywanie	Cała piła do przycinania drzew	Wyczyścić na zewnątrz i sprawdzić pod kątem uszkodzeń W razie uszkodzeń natychmiast zlecić profesjonalną naprawę
	łańcuch tnący i szyna tnąca	Zdemontować, wyczyścić i lekko naoliwić Wyczyścić wpust prowadnicy szyny prowadzącej
	Zbiornik paliwa, oleju do łańcucha	Opróżnić i wyczyścić
	Gaźnik	Opróżnić

### 13.12 Ważna wskazówka dotycząca naprawy

W przypadku odsyłania urządzenia do naprawy w stacji serwisowej należy pamiętać, aby ze względów bezpieczeństwa zostało ono opróżnione z oleju i benzyny.

### 13.13 Informacje serwisowe

Należy pamiętać, że w przypadku tego produktu poniższe części podlegają naturalnemu zużyciu lub zużyciu uwarunkowanemu użytkowaniem, bądź są potrzebne jako materiały zużywalne.

Części zużywalne\*: łańcuch tnący, szyna prowadząca, olej łańcuchowy, olej silnikowy, ogranicznik pazurowy, chwytak łańcucha, świeca zapłonowa, filtr powietrza, filtr paliwa, filtr oleju do łańcucha

\* opcjonalnie w zakresie dostawy!

### Zatwierdzony zestaw tnący

łańcuch tnący	
Kangxin 3/8LP-40.....	7910100739
Oregon 91P040X.....	3910102032
Szyna prowadząca	
Kangxin AP10-40-509P .....	7910100740
Oregon 100SDEA041 .....	7910100744

## 14. Przechowywanie

Klucz do świec zapłonowych / śrubokręt szczelinowy (20) można zamocować z boku osłony szyny prowadzącej (21) w celu przechowywania.

Podczas przechowywania należy zawsze stosować osłonę szyny prowadzącej (21).

Przed każdym przechowywaniem należy wyczyścić i zakonserwować urządzenie patrz rozdział „Czyszczenie i konserwacja”.

Opróżnić całkowicie zbiornik oleju lub paliwa.

## OSTRZEŻENIE

Nie opróżniać benzyny w pomieszczeniach zamkniętych, w pobliżu ognia lub podczas palenia tytoniu. Opary gazu mogą spowodować wybuch lub ogień.

- Uruchomić silnik i pozostawić pracujący, aż reszta benzyny zostanie zużyta.

Urządzenie i jego wyposażenie przechowywać w miejscu zaciemnionym, suchym i zabezpieczonym przed mrozem oraz niedostępnym dla dzieci. Optymalna temperatura przechowywania wynosi od 5 do 30 °C.

Nie przechowywać ani nie używać pily łańcuchowej w temperaturze poniżej 0 °C!

Nie przechowywać nigdy pily łańcuchowej dłużej niż 30 dni, bez wykonania następujących czynności.

Przestrzegać wskazówek dotyczących czyszczenia i konserwacji przed przechowywaniem urządzenia!

### 14.1 Składowanie pily łańcuchowej

W przypadku przechowywania pily łańcuchowej przez okres dłuższy niż 30 dni, należy ją do tego celu odpowiednio przygotować. W przeciwnym razie paliwo pozostałe w gaźniku ulotni się, pozostawiając gumowy nalot. Mogłoby to utrudnić uruchomienie i skutkować drogą naprawą.

1. Zdjąć powoli zamknięcie zbiornika paliwa (13), by zredukować ewentualnie ciśnienie w zbiorniku. Opróżnić ostrożnie zbiornik.
2. Uruchomić silnik i pozostawić pracujący do momentu aż pila łańcuchowa się zatrzyma, by usunąć paliwo z gaźnika.
3. Pozostawić silnik do ostygnięcia (ok. 5 minut).
4. Usunąć świecę zapłonową (34).
5. Dodać jedną łyżeczkę czystego oleju do silników dwusuwowych do komory spalania. Kilkakrotnie pociągnąć powoli za uruchamiającą linkę cięgnową (8), aby pokryć nią wewnętrzne elementy. Ponownie włożyć świecę zapłonową (34).

Przechowywać pilę łańcuchową w suchym miejscu i z dala od ewentualnych źródeł zapłonu, np. piec, bojler grzewczy na gaz, suszarka gazowa, itp. poza zasięgiem dzieci.

Zawsze nakładać osłonę szyny prowadzącej (21), jeśli łańcuch tnący (1) i szyna prowadząca (2) nie są zdemontowane

### 14.2 Ponowne uruchomienie pily łańcuchowej

1. Usunąć świecę zapłonową (34).
2. Pociągnąć szybko uruchamiającą linkę cięgnową (8), by usunąć nadmiar oleju z komory spalania.

3. Wyciągnąć świecę zapłonową (34) i zwrócić uwagę na prawidłowy odstęp elektrod na świecy zapłonowej (34); bądź włożyć nową świecę zapłonową (34) z prawidłowym odstępem elektrod.
4. Przygotować pilę łańcuchową do eksploatacji.
5. Napęlnić zbiornik prawidłową mieszanką oleju i paliwa (1:40).

### 14.3 Przechowywanie paliwa

Paliwa można przechowywać tylko w ograniczonym stopniu. Paliwo i mieszanki paliwowe ulegają procesowi starzenia wskutek parowania, w szczególności pod wpływem wysokich temperatur. Z tego względu zbyt długo przechowywane paliwo lub mieszanki paliwowe mogą powodować problemy podczas uruchamiania lub prowadzić do uszkodzenia silnika. Kupować taką ilość paliwa, jaka jest możliwa do zużycia w ciągu kilku miesięcy. W przypadku wysokich temperatur mieszankę paliwową zużyć w ciągu 6-8 tygodni.

### Przechowywać paliwo tylko w dozwolonych zbiornikach, w chłodnym i bezpiecznym miejscu!

## OSTRZEŻENIE

### Unikać kontaktu ze skórą i oczami!

Produkty oleju mineralnego oraz oleje odtłuszczają skórę. W przypadku powtarzającego się i dłuższego kontaktu skóra wysycha. Skutkiem mogą być różne choroby skóry. Ponadto znane są reakcje alergiczne.

Kontakt oleju z oczami powoduje podrażnienia. W przypadku kontaktu z oczami natychmiast przepłukać je wodą. W przypadku utrzymującego się podrażnienia natychmiast skontaktować się z lekarzem!

## 15. Utylizacja i ponowne wykorzystanie

### Wskazówki dotyczące opakowania



Materiały opakowaniowe nadają się do recyklingu. Opakowania należy utylizować w sposób przyjazny dla środowiska.

**Informacji o możliwościach utylizacji starych urządzeń można zasięgnąć w urzędzie miasta lub gminy.**

## Paliwa i oleje

- Przed użyciem urządzenia należy opróżnić zbiornik paliwa i zbiornik oleju silnikowego!
- Paliwa i oleju silnikowego nie należy wyrzucać do odpadów domowych ani kanalizacji, ale należy je zbierać lub usuwać oddzielnie!
- Puste zbiorniki po oleju i paliwie należy utylizować w sposób przyjazny dla środowiska.

## 16. Pomoc dotycząca usterek

Usterka	Możliwa przyczyna	Środek zaradczy
Silnik nie uruchamia się lub uruchamia się, ale nie kontynuuje pracy.	Nieprawidłowa procedura uruchamiania.	Należy przestrzegać instrukcji zawartych w niniejszej instrukcji.
	Nieprawidłowo ustawiona mieszanka gaźnika.	Zlecić regulację gaźnika w autoryzowanej stacji obsługi.
	Okopcona świeca zapłonowa.	Wyczyścić/ustawić lub wymienić świecę zapłonową.
	Zatkany filtr paliwa.	Wymienić filtr paliwa.
Silnik uruchamia się, ale nie pracuje z pełną mocą.	Zabrudzony filtr powietrza	Wyjąć filtr, wyczyścić go i włożyć ponownie.
	Nieprawidłowo ustawiona mieszanka gaźnika.	Zlecić regulację gaźnika w autoryzowanej stacji obsługi.
Silnik zacina się	Nieprawidłowo ustawiona mieszanka gaźnika.	Zlecić regulację gaźnika w autoryzowanej stacji obsługi.
Brak mocy przy obciążeniu	Nieprawidłowo ustawiona świeca zapłonowa.	Wyczyścić/ustawić lub wymienić świecę zapłonową.
Silnik pracuje nieregularnie	Nieprawidłowo ustawiona mieszanka gaźnika.	Zlecić regulację gaźnika w autoryzowanej stacji obsługi.
Nadmierna ilość dymu.	Nieprawidłowa mieszanka paliwa.	Stosować prawidłową mieszankę paliwową (stosunek 1:40).
Brak mocy przy obciążeniu	łańcuch tępy lub łańcuch połuzowany	Naostrzyć łańcuch lub włożyć nowy. Napiąć łańcuch.
Silnik zdycha	Pusty zbiornik benzyny lub nieprawidłowo umieszczony filtr paliwa	Napełnić zbiornik benzyny. Całkowicie napełnić zbiornik benzyny lub inaczej ustawić filtr paliwa w zbiorniku benzyny.
Niewystarczające smarowanie łańcucha (miecz i łańcuch są gorące)	Pusty zbiornik oleju łańcuchowego	Uzuppełnić zbiornik oleju łańcuchowego.
	Zatkane przepusty olejowe	Wyczyścić otwór olejowy z mieczem. Wyczyścić rowek miecza.

## 17. Gwarancja

Droży Klienci,

Wszystkie nasze produkty przechodzą przez rygorystyczną kontrolę jakości, aby zapewnić, że dotrą do Państwa w idealnym stanie. W mało prawdopodobnej sytuacji wystąpienia usterki w Państwa urządzeniu, proszę skontaktować się z naszym działem serwisu pod adresem podanym w niniejszej karcie gwarancyjnej. Oczywiście, jeśli wolelibyście Państwo do nas zadzwonić, jesteśmy również gotowi zaoferować pomoc pod numerem telefonu serwisu wydrukowanym poniżej. Proszę zwrócić uwagę na następujące warunki gwarancyjne, jakich należy przestrzegać w celu zgłaszania roszczeń gwarancyjnych:

- Te warunki gwarancji dotyczą dodatkowych uprawnień gwarancyjnych i w żadnym stopniu nie ograniczają Państwa praw ustawowych. Niniejsza gwarancja jest oferowana bezpłatnie.
- Nasza gwarancja obejmuje jedynie problemy wynikające z wad materiałowych lub wad wykonania i ogranicza się do usunięcia tych wad lub wymiany urządzenia. Proszę zwrócić uwagę, że nasze urządzenia nie są przeznaczone do użytkowania w zastosowaniach komercyjnych, handlowych lub przemysłowych. W związku z powyższym, gwarancja traci ważność, jeśli urządzenie zostanie wykorzystane w zastosowaniach komercyjnych, handlowych lub przemysłowych lub w innych równoważnych zastosowaniach. Gwarancja nie obejmuje również następujących kwestii: odszkodowanie za uszkodzenia w transporcie, uszkodzenia spowodowane nieprzestrzeganiem instrukcji instalacji/montażu lub uszkodzenia spowodowane niefachową instalacją, nieprzestrzeganiem instrukcji obsługi (np. podłączenie do błędnego napięcia lub natężenia sieciowego), błędnym lub nieodpowiednim użytkowaniem (np. przeciążenie urządzenia lub użycie niezatwierdzonych narzędzi lub akcesoriów), nieprzestrzeganiem przepisów konserwacji lub bezpieczeństwa, przedostaniem się ciał obcych do urządzenia (np. piasek, kamienie lub pył), rezultaty użycia siły lub zewnętrznych czynników (np. uszkodzenie spowodowane upuszczeniem urządzenia) i normalne zużycie wynikające z poprawnego użytkowania urządzenia.

Każda próba ingerencji w urządzenie lub jego modyfikacji skutkuje unieważnieniem gwarancji.

- Gwarancja obowiązuje przez 3 lata od dnia zakupu urządzenia. Roszczenia gwarancyjne należy składać przed upływem okresu gwarancji w okresie dwóch tygodni od zauważenia wady. Roszczenia gwarancyjne składane po upływie okresu gwarancji nie będą przyjmowane. Wraz z wymianą urządzenia lub jego części składowych rozpoczyna się ponownie okres gwarancyjny zgodnie z art. 581§1 Kodeksu Cywilnego. Dotyczy to również korzystania z serwisu na miejscu.
- W celu zgłoszenia roszczenia gwarancyjnego należy skorzystać z podanego poniżej adresu serwisu. Jeżeli reklamacja zostanie złożona w okresie objętym gwarancją, udostępnimy Państwu formularz zwrotu, który umożliwi bezpłatne odesłanie uszkodzonego urządzenia. Bardzo pomoże nam jak najbardziej szczegółowe opisanie przez Państwa charakteru problemu. Jeśli wada jest objęta gwarancją, urządzenie zostanie albo niezwłocznie naprawione i przekazane Państwu albo przesłemy Państwu nowe urządzenie.

Oczywiście z przyjemnością oferujemy także usługę odpłatnej naprawy wad, które nie są objęte zakresem niniejszej gwarancji, a także usługi pogwarancyjnej naprawy urządzeń. Aby skorzystać z takich usług, proszę przelać urządzenie na adres naszego serwisu.

### **Infolinia serwisu (PL):**

00800 4003 4003  
(0,00 €/Min.)

### **Adres e-mail (PL):**

service.PL@schepach.com

### **Adres serwisu (PL):**

Arconet Sp. z o.o  
ul.Grobelnego 4  
PL - 05-300 Minsk Mazowiecki




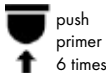
Na stronie [www.lidl-service.com](http://www.lidl-service.com) można pobrać ten oraz wiele innych podręczników, filmów produktowych oraz programów instalacyjnych. Za pomocą kodu QR przechodzi się bezpośrednio do strony serwisu Lidl ([www.lidl-service.com](http://www.lidl-service.com)), a po wpisaniu numeru artykułu (IAN) 403506\_2204 można pobrać instrukcję obsługi.

---

1.	Vysvetlenie symbolov na prístroji .....	149
2.	Upozornenie pre používateľa .....	150
3.	Úvod .....	151
4.	Popis prístroja .....	151
5.	Rozsah dodávky .....	152
6.	Použitie v súlade s určením .....	152
7.	Bezpečnostné upozornenia .....	152
8.	Technické údaje .....	157
9.	Pred uvedením do prevádzky .....	158
10.	Uvedenie do prevádzky .....	160
11.	Použitie .....	161
12.	Preprava .....	164
13.	Čistenie a údržba .....	164
14.	Skladovanie .....	167
15.	Likvidácia a opätovné zhodnotenie .....	168
16.	Odstraňovanie porúch .....	169
17.	Záručný list .....	170
18.	Rozložený výkres .....	398
19.	Vyhlasenie o zhode .....	400

## 1. Vysvetlenie symbolov na prístroji

 <p>Prečítajte si, pochopte a dodržiavajte všetky výstražné upozornenia.</p>	 <p>Predtým ako zariadenie použijete, prečítajte si celý návod na obsluhu.</p>
 <p>Varovanie! Nebezpečenstvo spätného nárazu (Kickback). Dávajte pozor na spätný náraz reťazovej pily a zabráňte kontaktu so špičkou lišty.</p>	 <p>Prístroj neprevádzkujte v daždi ani vo vlhkých podmienkach.</p>
 <p>Noste ochranné okuliare. Noste ochranu sluchu.</p>	 <p>Noste ochrannú prilbu.</p>
 <p>Keď zariadenie používate, vždy noste bezpečnostnú a antivibračnú rukavicu.</p>	 <p>Keď zariadenie používate, vždy noste bezpečnostnú obuv s ochranou proti porezaniu.</p>
 <p>Dôležité je nosiť ochranný odev na chodidlá, nohy a predlaktia.</p>	 <p>Reťazovú pílu ovládajte vždy pevne oboma rukami. Nepracuje s reťazovou pilou len jednou rukou.</p>
 <p>Pozor! Použitie reťazovej pily v kombinácii s technikou šplhania po lane. Predtým ako začnete pracovať, oboznámte sa dobre so všetkými pracovnými pokynmi!</p>	 <p>Otvorený oheň je v pracovnej oblasti zakázaný!</p>
 <p>Plniaci otvor pre palivo. Pomer miešania oleja a paliva 1:40</p>	 <p>Smer otáčania</p>
 <p>Uzáver olejovej nádrže na reťazový olej</p>	 <p>Nastavenie brzdy reťaze: Biela šípka: Brzda reťaze neaktívna Čierna šípka: Brzda reťaze aktívna</p>
 <p>Páčka pre studený štart (sýtič)</p>	 <p>Uvoľnenie brzdy reťaze</p>
 <p>Aktivovanie brzdy reťaze</p>	 <p>Smer montáže pílovej reťaze</p>
 <p>Nastavenie mazania reťaze</p>	 <p>Zaručená hladina akustického výkonu zariadenia.</p>

	<p>Pozor! Horúce diely.</p>	 <p>push primer 6 times</p>	<p>6x stlačte palivové čerpadlo (primer).</p>
<p><b>NEBEZPEČEN- STVO</b></p>	<p>Signálne slovo na označenie bezprostredne hrozjacej nebezpečnej situácie, ktorá, ak sa jej nezabráni, bude mať za následok smrť alebo vážne poranenie.</p>		
<p><b>VAROVANIE</b></p>	<p>Signálne slovo na označenie možnej nebezpečnej situácie, ktorá, ak sa jej nezabráni, by mohla mať za následok smrť alebo vážne poranenie.</p>		
<p><b>POZOR</b></p>	<p>Signálne slovo na označenie možnej nebezpečnej situácie, ktorá, ak sa jej nezabráni, môže viesť k ľahkému alebo stredne ťažkému poraneniu.</p>		
<p><b>UPOZORNENIE</b></p>	<p>Signálne slovo na označenie možnej nebezpečnej situácie, ktorá, ak sa jej nezabráni, môže viesť k materiálным škodám na produkte alebo majetku/vlastníctve.</p>		

## 2. Upozornenie pre používateľa

### VAROVANIE:

**Pred prvým uvedením do prevádzky si dôkladne prečítajte tento návod na obsluhu a bezpodmienečne dodržiavajte bezpečnostné predpisy! Pílu na orezávanie stromov smie obsluhovať len „pracovník určený na ošetrovanie stromov s dodatočným školením pre prácu v zdvíhacích košoch alebo na požiarnych rebríkoch s košom alebo pre lanovú lezeckú techniku“!**

**Návod na obsluhu uchovávajte na bezpečnom mieste!**

### Upozornenie:

**Zohľadnite, prosím, že niektoré národné predpisy by mohli obmedziť používanie stroja.**



Táto píla na orezávanie stromov je špeciálne určená na starostlivosť o stromy a orezávanie stromov. Všetky práce s pílou na orezávanie stromov sú špeciálne určené na starostlivosť o stromy a orezávanie stromov. Všetky práce s touto pílou na orezávanie stromov smú vykonávať len vyškolení pracovníci určení na ošetrovanie stromov!



### 3. Úvod

#### VÝROBCA:

**Scheppach GmbH**

Günzburger Straße 69

D-89335 Ichenhausen

#### VÁŽENÝ ZÁKAZNÍK,

Želáme Vám veľa zábavy a úspechov pri práci s Vaším novým prístrojom.

#### UPOZORNENIE:

Výrobca tohto prístroja neručí podľa platného zákona o ručení za výrobok za škody, ktoré vzniknú na tomto prístroji alebo budú spôsobené týmto prístrojom pri:

- neodbornej manipulácii,
- nedodržiavaní návodu na obsluhu,
- opravách tretími osobami, neautorizovanými odborníkmi,
- montáži a výmene neoriginálnych náhradných dielov,
- použití v rozpore s určením.

#### Dodržiavajte:

Pred montážou a uvedením do prevádzky si prečítajte celý text návodu na obsluhu.

Návod na obsluhu vám má uľahčiť, aby ste sa oboznámili s prístrojom a používali ho v súlade s jeho určenými možnosťami použitia.

Návod na obsluhu obsahuje dôležité pokyny, ako s prístrojom bezpečne, odborne a hospodárne pracovať a ako zabránite nebezpečenstvám, ušetríte náklady na opravy, znížite časy prestojov a zvýšite spoľahlivosť a životnosť prístroja.

Okrem bezpečnostných ustanovení tohto návodu na obsluhu musíte bezpodmienečne dodržiavať predpisy svojej krajiny platné pre prevádzku prístroja.

Návod na obsluhu uschovajte pri prístroji a v plastovom obale, aby bol chránený pred špinou a vlhkosťou. Všetci obsluhujúci pracovníci si ho musia pred začiatkom práce prečítať a starostlivo ho dodržiavať.

Na prístroji môžu pracovať len osoby, ktoré boli poučené o používaní prístroja a boli informované o nebezpečenstvách, ktoré sú s tým spojené. Treba dodržiavať požadovaný minimálny vek.

Okrem bezpečnostných upozornení obsiahnutých v tomto návode na obsluhu a osobitných predpisov vašej krajiny treba rešpektovať všeobecne uznávané technické pravidlá pre prevádzku konštrukčne rovnakých strojov.

Nepreberáme zodpovednosť za žiadne nehody ani škody, ku ktorým dôjde v dôsledku nedodržania tohto návodu a bezpečnostných upozornení.

### 4. Popis prístroja

1. Pílová reťaz
2. Vodiaca lišta
3. Predná ochrana rúk
4. Palivové čerpadlo „Primer“
5. Plynová páka
6. Zadná rukoväť
7. Blokovanie plynovej páky
8. Štartovacie tiahlo
9. Kryt vzduchového filtra
10. Uzáver pre kryt vzduchového filtra
11. Uzáver nádrže refazového oleja
12. Predná rukoväť
13. Uzáver palivovej nádrže
14. Páčka pre studený štart (sýtič)
15. Zapínač/vypínač
16. Upevňovacie matice
17. Kryt refazového kolesa
18. Tlmič zvuku
19. Závesné zariadenie
20. Kľúč na zapalovacie sviečky/plochy skrutkovač
21. Kryt vodiacej lišty
22. Zmiešavacia nádoba
23. Naplnacia skrutka refaze
24. Ozubený doraz
25. Zachytávač refaze
26. Upínací kolík refaze
27. Refazové koleso
28. Vodiaca drážka
29. Upevňovací čap
30. Ozubené koleso
31. Mazací otvor
32. Regulačná skrutka oleja
33. vzduchový filter
34. Zapalovacia sviečka
35. Konektor zapalovacej sviečky
36. Nasávacia hlavica

## 5. Rozsah dodávky

- Píla na orezávanie stromov
- Pilová reťaz
- Vodiaca lišta
- Kryt vodiacej lišty
- Kľúč na zapalovacie sviečky/plachý skrútkovač
- Zmiešavacia nádoba

## 6. Použitie v súlade s určením

Tento prístroj je mimoriadne ľahká, praktická píla na orezávanie stromov s hornou rukoväťou. Píla na orezávanie stromov bola špeciálne vyvinutá na orezávanie a na ošetrovanie stromov. Píly na orezávanie stromov smú obsluhovať len „pracovníci určení na orezávanie stromov s dodatočným školením pre prácu v zdvíhacích košoch alebo na požiarnych rebríkoch s košom alebo pre lanovú lezeckú techniku“.

Na príležitostné použitie pri rezaní tenkého dreva, ošetrovaní ovocných stromov, odvetvovaní, skracovaní.

Príprava palivového dreva sa môže vykonávať len vtedy, ak priemer dreva nepresahuje dĺžku rezu (20 cm).

Na túto prácu odporúčame bežnú motorovú pílu s veľkou vzdialenosťou rukoväte alebo dĺžkou rezu.

Kto nemôže používať prístroj:

Osoby, ktoré nie sú oboznámené s návodom na obsluhu, deti mladšie ako 16 rokov, ako aj osoby pod vplyvom alkoholu, drog, liekov alebo ktoré sú unavené alebo choré.

Prístroj slúži podľa určenia výlučne na pílenie dreva. Výrobca neručí za škody, ktoré boli spôsobené použitím v rozpore s určením alebo nesprávnou obsluhou.

Prístroj sa smie používať iba v súlade so svojim určením. Každé iné použitie presahujúce určenie je považované za používanie v rozpore s určením. Za škody z neho vzniknuté alebo poranenia akéhokoľvek druhu ručí používateľ/obsluha a nie výrobca.

Súčasťou používania v súlade s určením je aj dodržiavanie bezpečnostných upozornení, ako aj návodu na montáž a prevádzkových pokynov v návode na obsluhu.

Osoby, ktoré obsluhujú prístroj a vykonávajú jeho údržbu, musia byť oboznámené s prístrojom a možnými nebezpečenstvami.

Okrem toho sa musia čo najdôkladnejšie dodržiavať predpisy na zabránenie úrazom.

Musia sa dodržiavať aj iné všeobecné pracovno-lekárske a bezpečnostno-technické pravidlá.

Zmeny na prístroji úplne vylučujú ručenie výrobcu za škody, ktoré tým vzniknú.

Dbajte, prosím, na to, že naše prístroje neboli v súlade s určením skonštruované na komerčné, remeselné ani priemyselné použitie. Ak sa prístroj používa v komerčných, remeselných alebo priemyselných podnikoch, ako aj na podobné činnosti, nepreberáme žiadnu záruku.

### NEBEZPEČENSTVO

Výrobca tohto prístroja neručí podľa platného zákona o ručení za výrobok za škody, ktoré vzniknú na tomto prístroji alebo budú spôsobené týmto prístrojom pri:

- montáži a výmene neoriginálnych náhradných dielov,
- odstránení alebo zmene bezpečnostných komponentov.

#### 6.1 Použitie v rozpore s určením

- Tento prístroj nie je vhodný pre výrub.
- Nepoužívajte vodiacu lištu ako páku, aby ste pohybovali kmene stromov alebo pod.
- Pílenie dreva s priemerom nad 20 cm nie je povolené.

## 7. Bezpečnostné upozornenia

### 7.1 Všeobecné pokyny

#### VAROVANIE

Budte neustále pozorni, dávajte pozor na to, čo robíte, a s prístrojom pracujte rozumne. Nepoužívajte prístroj, ak ste unavení alebo ste pod vplyvom drog, alkoholu či liekov. Jediná chvíľka nepozornosti pri používaní prístroja môže viesť k závažným zraneniam.

Zabráňte chybným používaniam, používajte stroj len tak, ako je to opísané v „Použitie v súlade s určením“.

Návod na obsluhu obsahuje dôležité pokyny, ako bezpečne a odborne pracovať s reťazovou pílou a ako možno zabrániť nebezpečenstvám.

Ak sa medzi rezivou a pilovou reťazou napriek tomu vytvorí prekážka, okamžite ju vypnite. Počkajte, kým sa pilová reťaz zastaví. Odstráňte konektor zapalovacej sviečky a nasadíte si rukavice odolné proti porezaniu, aby ste odstránili prekážku. Ak je potrebné odstrániť (vodiacu) lištu, postupujte podľa pokynov uvedených v kapitole „Montáž“. Po odstránení prekážky a opätovnej montáži sa musí vykonať skúšobný chod. Ak sa počas tohto procesu objavia vibrácie alebo mechanické zvuky, prerušte prácu a obráťte sa na autorizované servisné stredisko. Ak sa toto nebezpečenstvo vyskytuje častejšie, odporúčame nové školenie.

- Pred uvedením do prevádzky si prečítajte návod na obsluhu vášho prístroja a dbajte obzvlášť na bezpečnostné upozornenia.
- Výstražné a informačné štítky umiestnené na prístroji poskytujú dôležité upozornenia týkajúce sa bezpečnej prevádzky.
- Okrem upozornení v návode na obsluhu prihliadajte aj na všeobecné bezpečnostné predpisy a predpisy na prevenciu proti nehodám.
- Baliace fólie uchovávajú mimo dosah detí, vzniká nebezpečenstvo zadusení!
- Nedostatočne informovaná obsluha môže ohroziť samú seba a iné osoby v dôsledku neodborného použitia. Obsluha je zodpovedná za tretie osoby.
- Pred začatím prác skontrolujte funkciu plynovej páky. Po uvoľnení sa musí automaticky vrátiť do polohy pre voľný beh.
- Nepracujte dlhšie ako 10 minút na jednom kuse. Medzi pracovnými pohybmi sa odporúča prestávka 10 – 20 minút.
- Prístroj požičievajte iba používateľom, ktorí majú s prístrojom skúsenosti. Návod na obsluhu je potrebné odovzdať.
- Niektoré rezacie úlohy si vyžadujú špeciálne školenie a zvláštne zručnosti. Ak máte pochybnosti, obráťte sa na odborníka.
- Prví používatelia musia byť poučení, aby sa oboznámili s vlastnosťami prístroja. Pre Vašu bezpečnosť navštívte štátne školenia o motorových pilách.
- Prístroj sa musí v prípade nepoužívania odstaviť tak, aby nikto nebol ohrozený. Zaisťte pred neoprávneným prístupom.
- Používateľ prístroja je zodpovedný za všetky nehody a nebezpečenstvá, ktoré by mohli ohroziť iné osoby alebo ich majetok.
- Deti, mládež a osoby so zníženými fyzickými, senzorickými alebo mentálnymi schopnosťami nesmú reťazovú pílu používať. Výnimky vznikajú len pre mládež nad 16 rokov v rámci vzdelávania pod dohľadom odborníka.

- Elektrická zapalovacia sústava prístroja vytvára malé elektromagnetické pole. Ak nosíte kardiostimulátor alebo podobné implantáty, prekonzultujte to pred používaním prístroja s Vaším lekárom, aby ste zabránili zdravotným rizikám.
- Dávajte pozor, pri nesprávnej údržbe, používaní neschválených náhradných dielov alebo odstránení alebo úprave bezpečnostných zariadení môže dôjsť ku škodám na prístroji a ťažkým poraneniam osôb, ktoré s prístrojom pracujú.

## 7.2 Osobné ochranné prostriedky (OOP)

### NEBEZPEČENSTVO

Vždy používajte osobné ochranné prostriedky (OOP), ako je ochrana očí (zorník alebo okuliare), ochrana hlavy, rúk, nôh a chodidiel vhodná na lezenie po stromoch!

- Noste ochrannú prilbu s ochranou tváre resp. s ochrannými okuliarmi a ochranou sluchu.
- Noste tesne priliehajúci ochranný odev s ochrannou vložkou proti prerezaniu.
- Noste protišmykovú bezpečnostnú obuv.
- Noste ochranné rukavice.
- Zabráňte voľnému odevu, ktorý sa môže zachytiť.
- Nenoste žiaden šál, kravatu a šperky!
- Pri dlhých vlasoch používajte sieťku na vlasy!
- Pri všetkých prácach v lese noste ochrannú prilbu. Táto ponúka ochranu pred padajúcimi konármi. Ochrannú prilbu pravidelne kontrolujte ohľadom poškodení. Najneskôr po 5 rokoch sa táto musí vymeniť. Používajte len otestované ochranné prilby.
- Ochrana tváre alebo ochranné okuliare zabraňujú piličiam a štiepkam. Aby ste zabránili poraneniam očí, musíte neustále pri prácach s prístrojom nosiť ochranu tváre, resp. ochranné okuliare.
- Vždy noste ochranu sluchu. Hluk vychádzajúci z prístroja môže viesť k poškodeniam sluchu.
- Noste hrubé ochranné rukavice z odolného materiálu, ako napr. z kože.
- Pri pílení suchého dreva noste ochrannú masku proti prachu. Môže dôjsť k tvorbe pilového prachu.
- Pri práci na strome môže používateľ spadnúť. Používateľ môže byť vážne zranený alebo usmrtený. Používajte vybavenie na ochranu proti pádu.

## 7.3 Skladovanie a preprava

- Reťazovú pílu pred každou prepravou vypnite aj pri krátkych trasách. Zapnite brzdu reťaze a nasadte ochranu reťaze.
- Pre prepravu a skladovanie používajte ochranu reťaze.
- Počas prepravy zaisťte stroj (aj vo vozidlách) proti preklopeniu, aby ste zabránili strate paliva, škodám alebo poraneniam.

- Prístroj nosťte len za prednú rukoväť. Vodiaca lišta ukazuje pritom smerom dozadu, preč od tela.
- Horúci tlmič zvuku držte ďalej od tela. Vzniká nebezpečenstvo popálenia!
- Čistite a udržiavajte reťazovú pílu pred uskladnením.
- Prístroj skladujte na čistom a suchom mieste. Zaisťte aj pred neoprávneným prístupom.

#### 7.4 Bezpečnosť okolia

- Národné a/alebo komunálne predpisy môžu obmedziť časovo používanie prístrojov poháňaných motorom, ktoré vytvárajú hluk. Pre viac informácií kontaktujte vašu komunálnu správu.
- Prístroj sa nesmie prevádzkovať vo vnútorných priestoroch alebo zle vetraných priestoroch. Vzniká nebezpečenstvo zadusenía v dôsledku jedovatých spálín/výparov z mazacieho oleja.
- Vykonávajte práce len za denného svetla.
- Nepracujte tiež v nepriaznivých poveternostných podmienkach, ako je napr. dážď alebo vietor. Tu vzniká zvýšené riziko nehody.
- Pracovný priestor udržiavajte čistý a uprataný.
- Deti, iné osoby a zvieratá držte vo vzdialenosti pred prácou a počas nej. Pri rozptyľovaní môžete stratiť kontrolu nad prístrojom.
- Pred začiatkom vykonávania práce sa uistite, že sa v nebezpečnej zóne nezdržiavajú žiadne osoby, zvieratá alebo vecný majetok.
- Nepracujte v blízkosti drôtených plotov alebo v oblastiach s voľným starým drôtom.
- Ak sa nachádzate vo veľmi horľavom prostredí, ako je napr. práca na suchej trávě atď., majte vždy pripravené hasiace prostriedky. Vzniká nebezpečenstvo požiaru!

#### 7.5 Naplňte palivo

- Benzín je veľmi ľahko horľavý. Pri tankovaní udržiavte vzdialenosť od otvoreného ohňa a nefajčíte pri tom. Vzniká nebezpečenstvo požiaru!
- Dbajte na to, aby sa nerozliat benzín. Benzín alebo reťazový olej sa nesmie dostať do pôdy. Ako pomôcku použite vhodné podložky.
- Tankujte len v dobre vetraných oblastiach. Benzínové výpary sa môžu ľahko vznietiť alebo vybuchnúť.
- Pred tankovaním vypnite motor a nechajte prístroj vychladnúť. Ak sa benzín rozliat, okamžite vyčistite zasiahnuté miesta. Nedovoľte, aby sa palivo dostalo na vás odev, v opačnom prípade ho okamžite vymeňte.
- Zabráňte kontaktu benzínu alebo mazacích látok (olej) s pokožkou a očami.

- Nevychudajte benzínové pary/výpary z mazacieho oleja.
- Dbajte na netesnosti. Ak benzín vyteká, nespúšťajte motor. Vzniká nebezpečenstvo popálenia.
- Opatrne otvorte uzáver palivovej nádrže, aby sa mohol pomaly odbúrať vznikajúci pretlak a nevystrekol pritom žiaden benzín.

#### 7.6 Pred uvedením do prevádzky

##### VAROVANIE

Vždy vykonajte kontroly pred uvedením do prevádzky a pri vypnutom motore.

Pred každým použitím skontrolujte prístroj a po páde na podlahu skontrolujte stav bezpečný pre prevádzku.

Skontrolujte, či všetky pohyblivé diely pracujú bezchybne. Príčinou mnohých nehôd je nesprávna údržba nástrojov. Nechajte poškodené diely opraviť kvalifikovaným odborným personálom. Používajte reťazovú pílu a príslušenstvo len v súlade s týmito pokynmi. Zohľadnite pritom pracovné podmienky a vykonávanú činnosť. Používanie náradia s motorom na iné ako predpísané používanie môže viesť k nebezpečným situáciám.

- Pravidelne kontrolujte brzdu reťaze ohľadom funkčnosti (predná ochrana rúk, pozri obr. 2).
- Skontrolujte vodiacu lištu, či je táto správne namontovaná.
- Skontrolujte pilovú reťaz, či je správne napnutá. Dodržiavajte pokyny pre mazanie, napnutie reťaze a výmenu príslušenstva. Nesprávne napnutá alebo namazaná reťaz sa môže buď roztrhnúť, a alebo zvýšiť riziko spätného nárazu.
- Rezné nástroje udržiavajte ostré a čisté. Pravidelne ostríte a vymieňajte včas opotrebované diely. Starostlivo udržiavané rezné nástroje s ostrými reznými hranami sa menej zasekávajú a ľahšie sa vedú.
- Skontrolujte plynovú páku a blokovanie plynovej páky ohľadom ľahkosti chodu. Plynová páka sa musí spätne odpružiť do svojej východiskovej polohy.
- Skontrolujte, či sa v nádrži nachádza dostatok paliva a reťazového mazacieho oleja.
- Skontrolujte, či sú rukoväte čisté, suché a zbavené oleja a nečistoty.
- Nikdy nevykonávajte práce sami. V prípade núdze musí byť niekto nablízku.
- Reťazovú pílu používajte iba vtedy, keď stojíte na pevnom, bezpečnom a rovnom podklade. Vyhýbajte sa abnormálne mu držaniu tela. Klzký podklad alebo nestabilná plocha na státie (napr. Na rebríku), môže viesť k strate rovnováhy alebo k strate kontroly nad reťazovou pilou. Zaisťte si bezpečný postoj a vždy udržiavajte rovnováhu. Takto môžete lepšie kontrolovať reťazovú pílu v neočakávaných situáciách.

- S reťazovou pilou nepracujte na strome. Pri prevádzke na strome hrozí nebezpečenstvo poranenia.
- Nikdy nepíľte nad výškou ramien.
- Reťazovú pilu vždy držte pravou rukou za zadnú rukoväť a ľavou rukou za prednú rukoväť. Držanie reťazovej pily s opačným pracovným uchopením zvyšuje riziko poranení a nesmie sa používať.
- Pri bežiacей reťazovej pile udržiavajte všetky časti tela mimo pilovej reťaze. Pred každým spustením reťazovej pily sa uistite, či sa pilová reťaz ničoho nedotýka. Pri práci s reťazovou pilou môže chvíľka nepozornosti viesť k tomu, že reťazová pila zachytí odev alebo časti tela.
- Reťazovú pilu vypnite okamžite pri citeľných zmenách správania prístroja.
- Ak reťazová pila príde do kontaktu s kameňmi, klincami alebo inými tvrdými predmetmi, okamžite zastavte motor a skontrolujte pilovú reťaz a vodiacu lištu ohľadom poškodení.
- Nenechajte reťazovú pilu spadnúť, neudierajte ju o prekážky a nikdy nepoužívajte vodiacu lištu ako páku.
- Reťazovou pilou píľte iba drevo.
- Pri pílení napnutej vetvy počítajte s tým, že sa táto vplyvom pružnej sily vráti späť. Keď sa uvoľní napnutie v drevených vláknach, napnutá vetva môže zasiahnuť obsluhujúcu osobu a/alebo vytrhnúť spod kontroly reťazovú pilu.
- Mimoriadne veľký pozor dávajte pri pílení krovia a mladých stromov. Tenký materiál sa môže zachytiť v pilovej reťazi a môže vás udrieť alebo vás môže vyvieť z rovnováhy.

## 7.7 Vibrácie

### VAROVANIE

Zabráňte rizikám vibrácií, napr. riziko ochorenia bielych prstov (poruchy obehového systému) v dôsledku častých pracovných prestávok, pri ktorých si napr. trete povrchy dlaní o seba.

- Vždy noste ochranné rukavice a dbajte na teplé ruky.
- Dbajte na to, aby reťaze boli vždy ostré.
- Robte pravidelné pracovné prestávky.

## 7.8 Vhodné opatrenia proti spätnému nárazu

### VAROVANIE

Pri prácach dbajte na spätný náraz prístroja. Hrozí nebezpečenstvo poranenia. Opatrnosťou a správnou technikou rezania sa vyhnete spätným nárazom.

- Dotyk so špičkou lišty môže v niektorých prípadoch viesť k neočakávanej reakcii smerujúcej dozadu, pri ktorej sa vodiaca lišta odrazi nahor v smere používateľa.
- Spätný náraz sa môže vyskytnúť, keď sa hrot vodiacej lišty dotkne predmetu alebo keď sa ohne drevo a pilová reťaz sa zasekne v reze.
- Zaseknutie pilovej reťaze na hornej hrane vodiacej lišty môže reťazovú pilu nekontrolovane a rýchlo odraziť v smere používateľa.
- Zaseknutie pilovej reťaze na dolnej hrane vodiacej lišty môže reťazovú pilu nekontrolovane a rýchlo stiahnuť mimo smer ovládania.
- Buďte extrémne opatrní, keď používate reťaz reťazovej pily na ďalšie pílenie v už začatom reze.
- Nepíľte žiadne konáre alebo kusy dreva, ktoré by mohli počas pílenia zmeniť polohu alebo pri ktorom sa rez v procese pílenia zavrie.
- Každá z týchto reakcií môže viesť k tomu, že stratíte kontrolu nad pilou a pravdepodobne sa ťažko poraníte. Nespoliehajte sa výhradne na bezpečnostné zariadenia zabudované v reťazovej pile. Ako používatelia reťazovej pily by ste mali vykonať rôzne opatrenia, aby ste mohli pracovať bez úrazu a poranenia.

Spätný náraz je dôsledkom nesprávneho alebo chybného používania. Je možné sa mu vyhnúť prostredníctvom bezpečnostných opatrení uvedených v nasledujúcom popise:

- Pílu pevne držte obidvomi rukami, pričom palce a prsty obopínajú rukoväť reťazovej pily. Svoje telo a ramená uveďte do polohy, v ktorej dokážete odolať silám spätného nárazu. Ak sa vykonajú vhodné opatrenia, používateľ dokáže ovládnuť sily spätného nárazu. Reťazovú pilu nikdy nepustíte.
- Vyhnite sa abnormálnemu držaniu tela a nepíľte nad výškou ramien. Zabráni sa tým náhodnému kontaktu s hrotom lišty a umožní sa lepšia kontrola reťazovej pily v neočakávaných situáciách.
- Vždy používajte iba výrobcom predpísané náhradné lišty a pilové reťaze. Nesprávne náhradné lišty a pilové reťaze môžu viesť k roztrhnutiu reťaze a/alebo k spätnému nárazu.
- Držte sa pokynov výrobcu pre ostrenie a údržbu pilovej reťaze. Príliš nízke obmedzovače hĺbky zvyšujú náchylnosť k spätnému rázu.
- Nikdy nepíľte hrotom lišty. Vznikne nebezpečenstvo spätného nárazu. (Obr. 7)

- Uistite sa, že sa v oblasti rezania sa nenachádzajú kince alebo kovové časti. Dbajte obzvlášť na kince alebo železné časti okolo oblasti rezania. Buďte mimoriadne opatrní pri pílení tvrdého dreva, pri ktorom sa reťaz môže zaseknúť. Tým môže dôjsť k spätnému nárazu.
- Začínate rezať plnou silou a udržiavajte reťazovú pílu počas pílenia vždy na najvyššej rýchlosti.
- Postarajte sa o to, aby na zemi neležali žiadne predmety, o ktoré by ste mohli zakopnúť.

## 7.9 Správanie sa pri práci a technika

- Pracujte len pri dobrej viditeľnosti a svetle. Venujte zvýšenú pozornosť klzkému, mokrému povrchu, ľadu a snehu (nebezpečenstvo pošmyknutia). Na čerstvo olúpanom dreve (kôre) je zvýšené riziko pošmyknutia.
- Nikdy nepracujte na nestabilných podkladoch. Pozor na prekážky v pracovnom priestore, nebezpečenstvo zakopnutia. Je potrebné dbať na to, aby ste vždy bezpečne stáli.
- Nikdy nepíľte nad výškou ramien.
- Nikdy nepíľte stojac na rebríkoch.
- Nikdy nelezte s reťazovou pílu na strom a nevykonávajte práce bez vhodných pridržiavacích systémov pre človeka a stroj. Vždy odporúčame vykonávať práce z pracovnej plošiny.
- Nepracujte prehnúť príliš ďaleko dopredu.
- Reťazovú pílu vedte tak, aby sa žiadna časť tela nenachádzala vo väčšom rozsahu naklápania pílovej reťaze.
- Reťazovú pílu používajte len na drevo.
- Nedotýkajte sa zeme bežiacou pílovou reťazou.
- Očistite miesto rezu od cudzích telies, ako sú piesok, kamene, kince atď. Cudzie teliesá poškodzujú pílové zariadenie a môžu viesť k nebezpečnému spätnému nárazu (Kickback), ako aj k ich vymršteniu.
- Pri pílení dreva používajte bezpečnú podložku (ak je to možné, kozu na pílenie). Drevo sa nesmie pridržiavať nohou ani druhou osobou.
- Gulatina sa musí zaistiť proti pretočeniu v reze.
- Nikdy nepracujte bez ozubeného dorazu, reťazová píla môže potiahnuť obsluhu dopredu. Používajte ozubený doraz na rezanie kmeňov stromov alebo hrubých konárov. Používanie ozubeného dorazu zvyšuje bezpečnosť pri práci, znižuje osobnú záťaž pri práci a vibrácie.
- Pri výrube a krátení sa musí na pílené drevo priložiť zúbkovaná lišta (ozubený doraz). Zúbkovaná lišta sa odporúča aj na rezanie hrubých konárov.

- Pred každým skracovacím rezom pevne nasadíte zúbkovanú lištu, a až potom píľte drevo s bežiacou pílovou reťazou. Píla sa vyfahuje za zadnú rukoväť a vedie sa pomocou oblúkovej rukoväte. Zúbkovaná lišta slúži ako bod otáčania. Nasadzuje len miernym zatlačením na oblúkovicu rukoväť. Reťazovú pílu potiahnite mierne späť. Spustite hlbšie zúbkovanú lištu a opäť vytiahnite zadnú rukoväť.
- Pozor pri pílení roztriešteného dreva. Odpílené kusy dreva by sa mohli strhnúť (nebezpečenstvo poranenia).
- Ak sa pílová reťaz zasekne, môže sa pri rezaní odraziť reťazová píla s hornou časťou lišty smerom k obsluhu. Preto, ak je to možné, reže spodnou stranou lišty, pretože reťazová píla sa od tela odťahuje smerom k drevu.
- Drevo pod napätím sa musí najskôr narezať na tlačenej strane. Až potom sa môže vykonať deliaci rez na strane ľahu. Tým sa zabráni zachyteniu lišty.
- Pri práci na strome môže motorová píla spadnúť. Môže dôjsť k vážnym zraneniam osôb a vecným škodám. Zabezpečte motorovú pílu pomocou závesného zariadenia.
- Predtým, ako sa pílová reťaz umiestni do oblasti rezu, môže motorová píla sklznúť do strany alebo vyskočiť.

### POZOR

#### Zvýšené riziko spätného nárazu!

Aby ste si v momente „prepílenia“ udržali úplnú kontrolu, na konci rezu znížte prítlačnú silu bez toho, aby ste uvoľnili pevné uchopenie rukoväti reťazovej píly. Dávajte pozor na to, aby sa pílová reťaz nedotkla zeme. Po dokončení rezu počkajte na zastavenie pílovej reťaze, predtým ako odíť a vzdialite reťazovú pílu. Keď sa presúvate od stromu k stromu, vždy vypnite motor reťazovej píly.

### VAROVANIE

Pri dlhších prácach môže z dôvodu vibrácií dôjsť v rukách obsluhujúcej osoby k poruchám prekrvenia (syndróm bielych prstov).

Syndróm bielych prstov je cieвне ochorenie, pri ktorom sa v záchvatoch kŕčovito sťahujú cievy na prstoch na rukách a nohách. Postihnuté oblasti už nie sú dostatočne zásobované krvou a preto sa zdajú extrémne bledé. Časté používanie vibrujúcich zariadení môže u osôb, ktorých prekrvenie je narušené (napr. fajčiar, diabetici), vyvolať nervové poškodenia. Ak spozorujete neobvyklé zhoršenia stavu prstov, okamžite ukončíte prácu a vyhľadajte lekára.

V záujme zníženia nebezpečenstiev dbajte na nasledujúce upozornenia:

- V chladnom počasí udržiavajte svoje telo a najmä ruky v teple.
- Pravidelne si robte prestávky a pohybujte pritom rukami, aby ste podporili ich prekrvenie.
- Pravidelnou údržbou a pevnými dielmi na prístroji sa postarajte o čo najmenšie vibrácie prístroja.

## 7.10 Zvyškové riziká

### NEBEZPEČENSTVO

#### NEBEZPEČENSTVO PORANENIA!

Kontakt s pilovou refazou môže viesť k smrteľným rezným poraneniam.

Nikdy nesiahajte rukami do bežiaciej pilovej refaze.

#### NEBEZPEČENSTVO SPÄTNÉHO NÁRAZU!

Spätňý náraz môže viesť k smrteľným rezným poraneniam.

#### NEBEZPEČENSTVO POPÁLENIA!

Refaz a vodiaca lišta sa počas prevádzky zahrievajú.

**Prístroj je skonštruovaný podľa stavu techniky a prijatých bezpečnostno-technických pravidiel. Napriek tomu sa môžu pri práci vyskytnúť jednotlivé zvyškové riziká.**

Napriek všetkým prijatým opatreniam môžu pretrvávajúce zvyškové riziká, ktoré nie sú očividné.

Zostatkové riziká je možné minimalizovať, ak sa dodržiavajú bezpečnostné upozornenia, použitie v súlade s určením, ako aj návod na obsluhu.

## 8. Technické údaje

Stroj bez lišty

Dĺžka x šírka x výška.....	270 x 230 x 240 mm
Hmotnosť bez paliva, bez súpravy na pílenie cca .....	3,4 kg
Hmotnosť bez paliva, so súpravou na pílenie cca.....	3,8 kg
Nádrž na olej na mazanie refaze.....	0,16 l
Obsah palivovej nádrže.....	0,23 l
Pomer miešania oleja a paliva.....	1:40
Dĺžka rezu.....	20 cm
Dĺžka lišty.....	30 cm
Automatické olejovanie refaze .....	áno
Rozstup refaze.....	3/8" (9,525 mm)
Hrúbka refazového článku.....	1,27 mm
Typ refaze .....	3/8LP-40

Počet zubov hnacieho refazového kolesa.....	6
Rozstup zubov hnacieho refazového kolesa .....	3/8"
Typ lišty.....	AP10-40-509P
Rýchlosť refaze max. ....	21 m/s
Motor.....	1 valec, 2-takt, chladený vzduchom
Objem motora .....	25,4 cm <sup>3</sup>
Max. výkon motora podľa ISO 7293 .....	0,7 kW
Otáčky pri chode naprázdno n <sub>0</sub> .....	3300 ± 300 min <sup>-1</sup>
Maximálna rýchlosť so súpravou na pílenie.....	11000 min <sup>-1</sup>
Zapaľovacia sviečka.....	L8RTC

**Hladina akustického tlaku sa musí v závislosti od použitia a vykonávaných činností znížiť na takú úroveň, aby nedošlo k poškodeniu zdravia obsluhy. Hladina akustického tlaku na pracovisku môže prekročiť 80 dB. V tomto prípade sú potrebné opatrenia na ochranu proti hluku pre obsluhu (napr. nosenie ochrany sluchu).**

#### Vznik hluku a vibrácií obmedzte na minimum!

- Používajte iba bezchybné stroje.
- Prístroj pravidelne čistite a vykonávajte jeho údržbu.
- Váš spôsob práce prispôbajte prístroju.
- Prístroj nepreťažujte.
- Prístroj nechajte v prípade potreby prekontrolovať.
- Ak sa prístroj nepoužíva, vypnite ho.
- Noste rukavice.

Nameraná hladina akustického tlaku L <sub>PA</sub> .....	99,2 dB
Neistota K <sub>PA</sub> .....	3 dB
Zaručená hladina akustického výkonu L <sub>WA</sub> .....	113 dB
Nameraná hladina akustického výkonu L <sub>WA</sub> .....	108,7 dB
Neistota K <sub>WA</sub> .....	3 dB

Vibrácia, predná rukoväť .....	8,98 m/s <sup>2</sup>
Vibrácia, zadná rukoväť.....	8,03 m/s <sup>2</sup>
Neistota.....	1,5 m/s <sup>2</sup>

#### Noste ochranu sluchu.

Vplyv hluku môže spôsobiť stratu sluchu.

Uvedené hodnoty emisií hluku boli merané podľa normovanej skúšobnej metódy a môžu sa použiť na porovnanie prístroja s iným.

Uvedené hodnoty emisií hluku sa môžu použiť aj na predbežný odhad zaťaženia.

## Varovanie:

- Emisie hluku sa môžu počas skutočného používania prístroja odlišovať od uvedených hodnôt v závislosti od druhu a spôsobu použitia prístroja, predovšetkým, aký druh obrobku sa obrába.
- Zaťaženie sa snažte udržať podľa možností čo najnižšie. Vzorové opatrenie: obmedzenie pracovnej doby. Pritom sa musia zohľadniť všetky časti prevádzkového cyklu (napríklad časy, keď je zariadenie vypnuté, a časy, počas ktorých je síce zapnuté, no beží bez zaťaženia).

## 9. Pred uvedením do prevádzky

1. Otvorte obal a opatrne vyberte prístroj.
2. Odstráňte baliaci materiál, ako aj obalové a prepravné poistky (ak sú použité).
3. Skontrolujte, či je rozsah dodávky kompletný.
4. Prístroj a diely príslušenstva skontrolujte ohľadom poškodení spôsobených prepravou.
5. Obal podľa možnosti uschovajte až do uplynutia záručnej doby.
6. Odstráňte stručný návod na štartovacom tiahle (8).

### POZOR

Prístroj a obalové materiály nie sú hračkami pre deti! Deti sa nesmú hrať s plastovými vreckami, fóliami a malými dielmi! Existuje nebezpečenstvo prehltnutia a zadusenia!

### 9.1 Montáž vodiacej lišty (2) a pílovej rezače (1)

#### VAROVANIE

#### Nebezpečenstvo poranenia!

Vždy noste ochranné rukavice, keď sa dotýkate pílovej rezače (1). Nebezpečenstvo poranenia spôsobené ostrými zubami!

Používajte iba schválené kombinácie pílovej rezače (1) a vodiacej lišty (2) (pozri kapitolu „Schválené súpravy na pílenie“).

Vždy vykonajte montáž pri vypnutom motore.

#### Upozornenie

Nová pílová rezač (1) sa predlži a musí sa častejšie dopnúť. Pravidelne kontrolujte napnutie rezače a nastavte ho. Vodiaca lišta (2) sa môže otočiť v závislosti od opotrebovania.

1. Refazovú pílu postavte na rovný a stabilný podklad.
2. Potiahnite prednú ochranu rúk (3) dozadu až na doraz, aby ste uvoľnili brzdú rezače. (Obr. 2)

3. Odstráňte obe upevňovacie matice (16) pomocou kľúča na zapalovacie sviečky (20).
4. Zložte kryt refazového kola (17).
5. Otočte napínaciu skrutku rezače (23) doľava (proti smeru hodinových ručičiek), kým sa upínací kolík rezače (26) nedostane k pravému dorazu (obr. 3). Použite na to plochý skrutkovač (20).
6. Posuňte pozdĺžny otvor vodiacej lišty (2) cez oba vyčnievajúce upevňovacie čapy (29).
7. Preložte pílový rezač (1) cez ozubenie refazového kola (27). Zasuňte pílový rezač (1) presne v smere uvedenom na vodiacej lište (2). Na hrote vodiacej lišty (2) sa nachádza ozubené koleso (30), do ktorého sa musí vložiť ozubenie pílovej rezače (1). (Obr. 6 a 18)
8. Zláhka potiahnite vodiacu lištu (2), aby sa pílová rezač (1) mierne napla.
9. Opäť nasadte kryt refazového kola (17). Dbajte na to, aby upínací kolík rezače (26) nachádzajúci sa vo vnútri pasoval do vhodného otvoru vodiacej lišty (2). Prestavte príp. napínaciu skrutku rezače (23) pomocou plochého skrutkovača (20).
10. Zaskrutkujte obe upevňovacie matice (16) ručne. Dbajte na to, aby ste tieto ešte pevne neutiahli. Upevňovacie matice (16) sa utiahnu až po napnutí pílovej rezače (1).

### 9.2 Napnutie a kontrola pílovej rezače (1)

#### VAROVANIE

Natiahnite si ochranné rukavice! Nebezpečenstvo poranenia spôsobené ostrými reznými zubami!

Pred každým uvedením do prevádzky pravidelne kontrolujte napnutie rezače.

Kontroly vykonávajte vždy pred uvedením do prevádzky a pri vypnutom motore.

1. Pred napnutím sa musia obe upevňovacie matice mierne uvoľniť (16) pomocou kľúča na zapalovacie sviečky (20).
2. Otáčajte napínaciu skrutku rezače (23) pomocou plochého skrutkovača (20) v smere hodinových ručičiek, aby ste zvýšili napnutie.
3. Utliahnite obe upevňovacie matice (16) pomocou kľúča na zapalovacie sviečky (20).
4. Pílová rezač (1) musí byť umiestnená na spodnej strane lišty. Skontrolujte, či sa dá pílová rezač (1) (pri uvoľnenej brzde rezače, potlačte prednú ochranu rúk (3) smerom vzad) ručne vytiahnuť cez vodiacu lištu (2).



## UPOZORNENIE

Nová pílová reťaz (1) sa predĺži a musí sa častejšie dopnúť.

### 9.3 Miešanie paliva

Motor sa prevádzkuje palivovou zmesou z benzínu a motorového oleja.

#### VARIOVANIE

Zabráňte priamemu kontaktu pokožky s palivom a vdychovaniu výparov z paliva.

Používajte iba zmes bezolovnatého benzínu (min. ROZ 95) a špeciálneho 2-taktného motorového oleja (JASO FD/ISO - L - EGD). Palivovú zmes namiešajte podľa tabuľky na miešanie paliva.

Do priloženej zmiešavacej nádoby naplňte správne množstvo benzínu a 2-taktného oleja (22) (pozri „Tabuľka na miešanie paliva“). Následne dobre pretrepte zmiešavaciu nádobu (22).

#### 9.3.1 Tabuľka na miešanie paliva

**Proces miešania: 40 dielov benzínu na 1 diel oleja**  
**Benzin..... 2-taktný olej**  
**0,5 litra..... 12,5 ml**

### 9.4 Naplnenie paliva (obr. 8)

#### VARIOVANIE

Palivo plňte len pri vypnutom a vychladnutom motore. Vzniká nebezpečenstvo požiaru!

1. Vždy vyčistite oblasť okolo uzáveru palivovej nádrže (13) pred plnením, aby sa do palivovej nádrže nedostala žiadna nečistota. Použite na to suchú handru neuvolňujúcu vlákna.
2. Položte prístroj na bok tak, aby uzáver palivovej nádrže (13) smeroval nahor.
3. Otáčajte uzáver palivovej nádrže (13) proti smeru hodinových ručičiek a otvorte ho. Uzáver palivovej nádrže (13) je pripojený k poisťke proti strate v palivovej nádrži a nemôže preto vypadnúť.
4. Do palivovej nádrže nalejte správnu palivovú zmes. Pri tankovaní nerozlievajte palivo a nenapĺňajte palivovú nádrž po okraj.
5. Okamžite rozliate palivo poutierajte.
6. Otočte uzáver palivovej nádrže (13) v smere hodinových ručičiek, aby ste ju uzavreli.

## UPOZORNENIE

Po každom plnení palivom skontrolujte aj reťazový olej.

### 9.5 Vypustenie paliva

**Palivovú nádrž vyprázdňujte len vonku alebo v dobre vetraných miestnostiach. Dbajte na to, aby sa do pôdy nedostalo žiadne palivo (ochrana životného prostredia). Použite vhodnú podložku.**

1. Pod palivovou nádržou držte záchytnú nádobu.
2. Odskrutkujte uzáver palivovej nádrže (13) a odstráňte ho.
3. Úplne vypustite zmes benzínu a oleja.
4. Rukou opäť pevne naskrutkujte uzáver palivovej nádrže (13).

### 9.6 Plnenie reťazového oleja (obr. 8)

#### VARIOVANIE

Olej na pílové reťaze plňte len pri vypnutom a vychladnutom motore. Vzniká nebezpečenstvo požiaru!

Nikdy nepracujte bez mazania reťaze! Pri suchej bežiacей pílovej reťazi (1) sa nenapravitelne poškodí súprava na plnenie v krátkom čase.

Pred prácou vždy skontrolujte mazanie reťaze.

## UPOZORNENIE

Používajte iba olej na pílové reťaze. Zvlášť biologicky rozložiteľný. Nepoužívajte starý olej, motorový olej atď.

Počas práce kontrolujte, či mazanie reťaze funguje.

1. Vždy vyčistite oblasť okolo uzáveru nádrže reťazového oleja (11) pred plnením, aby sa do nej nedostala žiadna nečistota. Použite na to suchú handru neuvolňujúcu vlákna.
2. Položte prístroj na bok tak, aby uzáver nádrže reťazového oleja (11) smeroval nahor.
3. Otáčajte uzáver nádrže reťazového oleja (11) proti smeru hodinových ručičiek a otvorte ho. Uzáver nádrže reťazového oleja (11) je pripojený k poisťke proti strate v nádrži reťazového oleja a nemôže preto vypadnúť.
4. Do nádrže reťazového oleja naplňte bio reťazový olej. Pri plnení nerozlievajte reťazový olej a nenapĺňajte nádrž reťazového oleja po okraj.
5. Okamžite rozliaty reťazový olej poutierajte.
6. Otočte uzáver nádrže reťazového oleja (11) v smere hodinových ručičiek, aby ste ju uzavreli.

## 10. Uvedenie do prevádzky

### OPATRNE

Dodržiavajte zákonné ustanovenia k nariadeniu na ochranu proti hluku.

Skontrolujte prístroj pred každým uvedením do prevádzky na:

- tesnosť palivového systému,
- bezchybný stav a úplnosť ochranných zariadení a rezačieho prípravku
- pevné utiahnutie všetkých skrutkových spojov
- ľahkosť chodu všetkých pohyblivých dielov.

### Pracovné pokyny

Pred použitím sa oboznáňte so zaobchádzaním s rezačovou pilou.

#### 10.1 Štartovanie motora

### POZOR

Pred naštartovaním motora sa vzdialte aspoň 3 metre od miesta tankovania (obr. 9).

Štartovacie tiahlo (8) vždy vyfahujte rovno. Pevne držte rukoväť štartovacieho tiahla (8), keď sa štartovacie tiahlo (8) opäť vtiahne. Nikdy nenechajte štartovacie tiahlo (8) rýchlo sa vrátiť späť.

Hneď po spustení motora uvoľnite plynovú páku (5). Pred uvoľnením brzdy rezače sa uistite, že sa otáčky motora vrátili na chod naprázdno (zatlačte prednú ochranu rúk (3) dozadu).

Vytiahnite páčku pre studený štart (sýtič) (14) len do spustenia.

#### 10.1.1 Štartovanie pri studenom motore

### VAROVANIE

Pred každým uvedením do prevádzky zapnite brzdu rezače (potlačte prednú ochranu rúk (3) dopredu).

### POZOR

Nikdy nenechajte štartovacie tiahlo (8) vymrštiť späť. Môže to viesť k poškodeniam.

1. Odstráňte kryt vodiacej lišty (21).
2. Položte rezačovú pílu na stabilný a rovný podklad. Pílová rezač (1) sa pritom nesmie dotýkať zeme.

3. Potlačte prednú ochranu rúk (3) dopredu, kým nezapadne. Pílovú rezač (1) blokuje brzda rezače.
4. Stlačte 6x palivové čerpadlo „Primer“ (4). (Obr. 1)
5. Prepnite zapínač/vypínač (15) do polohy „ON“. (Obr. 1)
6. Vytiahnite páčku pre studený štart (sýtič) (14). (Obr. 10,2)
7. Pevne držte rezačovú pílu za prednú rukoväť (12) a pomaly vytiahnite štartovacie tiahlo (8) až po prvý odpor.
8. Teraz rýchlo priťahujte štartovacie tiahlo (8), kým sa nenašartuje motor. Ak by sa motor nenašartoval, zopakujte proces. Kým je páčka pre studený štart (sýtič) (14) vytiahnutá, motor sa rozbehne len nakrátko a znova vypne.
9. Len čo sa motor vypne, stlačte spolu blokovanie plynovej páky (7) a plynovú páku (5). Páčka pre studený štart (sýtič) (14) automaticky preskočí do prevádzkovej polohy „Teplý štart“. (Obr. 10,1)
10. Teraz znova rýchlo potiahnite štartovacie tiahlo (8), kým sa nenašartuje motor.

Ak motor nenaskočí ani po viacerých pokusoch, prečítajte si kapitolu „Odstraňovanie porúch“.

### UPOZORNENIE

Pri vysokých vonkajších teplotách sa môže stať, že je nutné naštartovať aj pri studenom motore bez páčky pre studený štart (sýtič) (14)!

- Uvoľnite brzdu rezače tým, že potiahnete prednú ochranu rúk (3) dozadu. (Obr. 2)
- **POZOR!** Brzda rezače je teraz uvoľnená. Ak plynovú páku (5) stlačíte spolu s blokovaním plynovej páky (7), tak sa pílová rezač (1) rozbehne.

#### 10.1.2 Štartovanie pri teplom motore

**(Prístroj bol odstavený menej ako 15minút.)**

### VAROVANIE

Pred každým uvedením do prevádzky zapnite brzdu rezače (potlačte prednú ochranu rúk (3) dopredu).

1. Potlačte prednú ochranu rúk (3) dopredu, kým nezapadne. Pílovú rezač (1) blokuje brzda rezače.
2. Prepnite zapínač/vypínač (15) do polohy „ON“.
3. Páčka pre studený štart (sýtič) (14) sa nemusí potiahnuť pri štarte teplého motora.
4. Pevne držte rezačovú pílu za prednú rukoväť (12) a pomaly vytiahnite štartovacie tiahlo (8) až po prvý odpor.

- Teraz opäť prudko potiahnite štartovacie tiahlo (8). Prístroj by sa mal spustiť po 1 – 2 potiahnutiach. Ak sa prístroj nespustil po 6 potiahnutiach, zopakujte proces uvedený v „Spustenie pri studenom motore“.

## 10.2 Vypnutie motora

### 10.2.1 Postup pri núdzovom vypnutí

Ak je to potrebné, prístroj okamžite zastavte prepnutím zapínača/vypínača (15) do polohy „OFF“. (Obr. 1)

### 10.2.2 Bežný postup

- Uvoľníte plynovú páku (5). Motor ďalej beží rýchlosťou pri voľnobehu.
- Nastavte zapínač/vypínač (15) do polohy „OFF“. (Obr. 1)

## 10.3 Prevádzka v chode naprázdno

### POZOR

Počas chodu naprázdno musí byť pilová reťaz (1) zastavená.

### UPOZORNENIE

Ak sa pilová reťaz (1) pohybuje v chode naprázdno alebo motor pri ubratí plynu sám od seba zhasne, musí sa vykonať nastavenie karburátora (pozri kapitolu „Údržba nastavení karburátora“).

- Zdvihnite reťazovú pílu.
- Ľavou rukou pevne držte prednú rukoväť (12).
- Pravou rukou pevne držte zadnú rukoväť (6). Dľaň pritom leží na blokovani plynovej páky (7) a ukazovák stláča plynovú páku (5).
- Po jednom stlačení plynovej páky (5) beží motor naprázdno.
- Nechajte motor nakrátko zahriať.

## 10.4 Kontrola a nastavenie mazania reťaze

### POZOR

- Nikdy nepracujte bez mazania reťaze! Pri suchej bežiacей pilovej reťazi (1) sa nenapraviteľne poškodí súprava na pilenie v krátkom čase.
- Pred prácou vždy skontrolujte mazanie reťaze.

### Upozornenie

Používajte iba olej na pilové reťaze, zvlášť biologicky rozložiteľný. Nepoužívajte starý olej, motorový olej atď.

Počas prevádzky udržiavajte reťazovú pílu na stredných otáčkach nad spileným priom alebo vhodným podkladom. Ak je mazanie dostatočné, vytvorí sa mierny olejový film na prii alebo na podklade.

- Ak je to potrebné, môže sa mazanie reťaze zvýšiť alebo znížiť prostredníctvom skrutky na reguláciu oleja (32) (obr. 11).
- Na pomoc si na to zoberte dodaný plochý skrutkovač (20):
  - Najskôr stlačte a potom otočte skrutku na reguláciu oleja (32) v smere hodinových ručičiek, aby ste znížili mazanie reťaze.
  - Najskôr stlačte a potom otáčajte skrutku na reguláciu oleja (32) v proti smere hodinových ručičiek, aby ste zvýšili mazanie reťaze.

## 10.5 Kontrola brzdy reťaze

### VAROVANIE

Brzda reťaze sa musí pred každým uvedením do prevádzky skontrolovať.

Brzda reťaze okamžite brzdí pilovú reťaz (1) pri spätnom náraze.

- Dávajte pozor na to, aby predná ochrana rúk (3) bola zbavená nečistoty a mohla sa ľahko pohybovať.
- Spustíte reťazovú pílu a zrýchlite pilovú reťaz (1) na plnú rýchlosť (plný plyn).
- Pri bežiacей pilovej reťazi (1) aktivujte prednú ochranu rúk (3). Brzda reťaze musí pri max. rýchlosti zabrzdiť a zablokovat pilovú reťaz (1).

### VAROVANIE

Zvýšené otáčky motora v dôsledku príliš dlhlej doby pri blokovanej brzde reťaze poškodzuje motor a pohon reťaze.

Ak sa pilová reťaz (1) napriek tomu stále pohybuje, kontaktujte zákaznický servis.

## 11. Použitie

### 11.1 Odvetvovacie práce

- Dbajte na nebezpečenstvo v dôsledku konárov švihajúcich naspäť.
- Pri odvetvovaní nestojte na kmeni.
- Nepíľte špičkou lišty. (Obr. 7)
- Nepíľte naraz viacero konárov.
- Podoprite reťazovú pílu pri odvetvovaní ozubeným dorazom (24).

- Dbajte na to, aby sa na konci rezu mohla reťazová píla pohybovať v dôsledku svojej vlastnej váhy. V reze už nie je podopretá, preto ju zodpovedajúco držte.
- Zaujmite pevnú, stabilnú a bezpečnú pozíciu pre odvetvovanie.

### 11.1.1 Odvetvovacie práce po úsekoch

Skráťte dlhé, resp. hrubé konáre predtým, než uskutočnite posledný deliaci rez. Inak sa môže pílová reťaz (1) zaseknúť.

### 11.1.2 Spracovanie dreva pod napätím

Správna postupnosť pri spracovaní dreva pod napätím sa musí bezpodmienečne dodržiavať. Inak sa môže pílová reťaz (1) zaseknúť alebo môže dôjsť k spätnému nárazu.

Drevo pod napätím sa musí najskôr narezať na tlačenej strane. Až potom sa môže vykonať deliaci rez na strane ťahu. (Obr. 24)

Tým sa zabráni zachyteniu pílovej reťaze (1).

## ▲ POZOR

### Vecné škody!

Ležiace drevo sa nesmie dotýkať zeme na spodnej strane miesta rezu, pretože inak sa môže poškodiť pílová reťaz (1).

### Spätný náraz

- Zaseknutie pílovej reťaze (1) na hornej hrane vodiacej lišty (2) môže reťazovú pílu nekontrolovane a rýchlo odraziť v smere používateľa.

### Vtiahnutie

- Zaseknutie pílovej reťaze (1) na dolnej hrane vodiacej lišty (2) môže reťazovú pílu nekontrolovane a rýchlo stiahnuť mimo smer ovládania.

### Bezpečná práca

- Prístroj udržiavajte v dobrom prevádzkovom stave, aby ste sa vyhli poraneniam.
- Po páde skontrolujte prístroj ohľadom zreteľných škôd alebo porúch.
- Nepoužívajte prístroj, ak stojíte na rebríku alebo na nestabilnom mieste.
- Nenechajte sa zviazať na vykonanie nepremyslených rezov. To by mohlo ohroziť vás aj iných.

- Pravidelne meňte pracovnú polohu. Pri dlhšom používaní prístroja môže dôjsť ku poruche prekrvenia rúk v dôsledku vibrácií. Dobu používania môžete predĺžiť vhodnými rukavicami alebo pravidelnými prestávkami. Buďte si vedomý toho, že vaša osobná predispozícia zlého krvného obehu, nízke vonkajšie teploty alebo vysoké sily prílnavosti skracujú dobu používania.

### 11.2 Kmeň stromu je sklonený

1. Najskôr vykonajte odvetvovací rez 1 (cca 1/3 priemeru kmeňa) na tlačenej strane.
2. Potom vykonajte deliaci rez 2 (cca 2/3 priemeru kmeňa) na strane ťahu.

### 11.3 Kmeň stromu smeruje nahor

1. Najskôr vykonajte odvetvovací rez 1 (cca 1/3 priemeru kmeňa) na tlačenej strane.
2. Potom vykonajte deliaci rez 2 (cca 2/3 priemeru kmeňa) na strane ťahu.

### 11.4 Použitie píly na orezávanie stromov v kombinácii s technikou šplhania po lane

V tejto prílohe sú uvedené vhodné pracovné postupy na zničenie nebezpečenstva poranenia pri používaní reťazových píľ na ošetrovanie stromov pri prácach vo výške s lanom a nosným popruhom. Hoci môže slúžiť ako príručka a podklad pre školenie, nemala by sa považovať za náhradu formálneho školenia. Pokyny uvedené v tejto prílohe slúžia len ako príklad osvedčených pracovných postupov.

Môžu sa uplatňovať národné alebo iné predpisy, ktoré môžu byť prísnejšie.

Používateľ reťazovej píly na ošetrovanie stromov, ktorý pracuje vo výške s lanom a nosným popruhom, by nikdy nemal pracovať sám. Na pomoc by mal byť prítomný pozemný pracovník vyškolený v príslušných núdzových postupoch.

Používateľ by mal byť vyškolený vo všeobecných technikách bezpečného lezenia a určovania pracovnej polohy a mal by byť vybavený nosným popruhom, lanom, slučkami, karabínami a iným vybavením na dosiahnutie bezpečnej a správnej pracovnej polohy pre seba aj pre pílu.

Národné zákony a predpisy sa musia vždy prísne dodržiavať.

Táto príloha sa nezaobrá technikami kontroly konárov a vetiev rezaných reťazovou píľou, ani nezahŕňa body, ktoré už boli uvedené v súvislosti s bezpečným používaním.

#### 11.4.1 Všeobecné požiadavky

Používateľ reťazovej pily na ošetrovanie stromov, ktorý pracuje vo výške s lanom a nosným popruhom, by nikdy nemal pracovať sám. Na pomoc by mal byť prítomný pozemný pracovník vyškolený v príslušných núdzových postupoch.

Používateľ by mal byť vyškolený vo všeobecných technikách bezpečného lezenia a určovania pracovnej polohy a mal by byť vybavený nosným popruhom, lanom, slučkami, karabínami a iným vybavením na dosiahnutie bezpečnej a správnej pracovnej polohy pre seba aj pre pílu.

#### 11.4.2 Príprava na používanie pily na ošetrovanie stromov na strome

Pozemný pracovník by mal reťazovú pílu skontrolovať, naplniť palivom, naštartovať a zahriať, a potom ju vypnúť, kým ju zdvihne k používateľovi na strome.

Reťazová píla by mala byť vybavená vhodnou slučkou, aby ju používateľ mohol pripevniť na nosný popruh (obr. 13):

- Upevnite závesné zariadenie (19), ktoré sa nachádza na zadnej strane pily (obr. 12).
- Musia byť k dispozícii vhodné karabíny umožňujúce nepriame (tzn. cez slučku) a priame upevnenie (tzn. k závesnému zariadeniu (19) reťazovej pily) pily k nosnému popruhu používateľa.
- Uistite sa, že je reťazová píla bezpečne pripevnená, keď je vytiahnutá k používateľovi (obr. 14).
- Pred uvoľnením reťazovej pily zo zdvihacieho lana sa uistite, že je reťazová píla pripevnená k nosnému popruhu.

Možnosť pripevniť reťazovú pílu priamo k nosnému popruhu znižuje riziko poškodenia vybavenia pri jeho premiestňovaní na strome. Reťazová píla by mala byť vždy vypnutá, ak je pripevnená priamo na nosnom popruhu.

Reťazová píla by mala byť pripevnená len k odporúčaným závesným zariadeniam na nosnom popruhu. Môžu byť uprostred (vpredu alebo vzadu) alebo po stranách. Ak je to možné, pripevnite reťazovú pílu k vycentrovanému zadnému strednému bodu nosného popruhu, aby sa nedostala do blízkosti horolezeckých lán a aby sa váha podopierala centrálnou časťou chrbtice používateľa.

Ak sa reťazová píla premiestni z jedného závesného zariadenia na iné, používateľia by sa mali uistiť, že je reťazová píla zaistená v novej polohe skôr, ako sa uvoľní z predchádzajúceho závesného zariadenia.

#### 11.5 Používanie reťazovej pily na strome

Analýza nehôd s týmito reťazovými pilami pri ošetrovaní stromov ukazuje, že hlavnou príčinou je nesprávne používanie reťazovej pily jednou rukou. Pri väčšine nehôd používateľa nezaistujú zaistenú pracovnú polohu, ktorá im umožňuje držať reťazovú pílu za obe rukoväti, čo vedie k zvýšenému nebezpečenstvu poranenia z nasledujúcich dôvodov:

- Nedostatočne pevné uchopenie pri spätnom náraze reťazovej pily.
- Nedostatočná kontrola reťazovej pily, čo uľahčuje jej kontakt s lezeckými lanami a telom používateľa (najmä s ľavou rukou a ramenom).
- Strata kontroly v dôsledku nebezpečnej pracovnej polohy, a teda kontaktu s reťazovou pilou (neočakávané pohyby pri práci s reťazovou pilou).

#### 11.6 Bezpečná pracovná poloha pre obojručné použitie

Aby mohli používatelia držať reťazovú pílu oboma rukami, mali by sa vždy snažiť zaujať zaistenú pracovnú polohu a viesť pílu nasledovne:

- vo výške pásu pri rezaní vodorovných kusov.
- na úrovni žalúdka pri rezaní zvislých kusov.

Ak používateľ pracuje v blízkosti vertikálne smerujúceho kmeňa pri vynakladaní malých bočných síl na pracovnú polohu, pre zaistenú pracovnú polohu by mohlo stačiť bezpečné držanie nôh. Hneď ako sa však používateľia vzdialia od kmeňa, musia prijať ďalšie opatrenia na zníženie alebo vyrovnanie narastajúcich bočných síl, napr. odklonením hlavného lana prostredníctvom dodatočného závesného zariadenia alebo použitím nastaviteľnej slučky vedúcej od stroja k dodatočnému závesnému zariadeniu (obr. 15 a 16).

#### 11.6.1 Spustenie pily na orezávanie stromov na strome

Pri spustení reťazovej pily na strome by mal používateľ:

- aktivovať brzdu refaze pred spustením (zatlačenie prednej ochrany rúk (3) dopredu).
- držať reťazovú pílu ľavo alebo vpravo od tela:
  - Držanie reťazovej pily na ľavej strane ľavou rukou za prednú rukoväť a tlačenie reťazovej pily smerom od tela, pričom v pravej ruke držíte štartovacie lanko.
  - Držanie reťazovej pily na pravej strane pravou rukou za jednu z dvoch rukovätí a tlačenie reťazovej pily smerom od tela, pričom v ľavej ruke držíte štartovacie lanko.

Pred spustením bežiaciej reťazovej pily pomocou závesného lana by sa mala vždy aktivovať brzda refaze.

Pred náročnými pílením by sa mal používateľ vždy uistiť, či má reťazová píla dostatok paliva.

### 11.6.2 Používanie reťazovej píly jednou rukou

Používatelia by nemali používať reťazové píly na ošetrovanie stromov jednou rukou v nestabilných pracovných polohách alebo namiesto ručnej píly na odrezávanie koncov konárov s malým priemerom.

Reťazové píly na ošetrovanie stromov by sa mali používať iba jednou rukou, ak

- nie je možné, aby používatelia dosiahli pracovnú polohu, ktorá umožňuje obojručné používanie.
- je potrebné zabezpečiť pracovnú polohu jednou rukou.
- sa reťazová píla používa v úplne vysunutej polohe, v pravom uhle k telu používateľa a mimo jeho línie.

Používatelia by nikdy nemali:

- piliť v oblasti spätného nárazu na hrote vodiacej lišty (2) reťazovej píly.
- držať sa konára, ktorý píliate.
- snažiť sa zachytiť padajúce časti.

### 11.6.3 Uvoľnenie zaseknutej reťazovej píly

Ak sa reťazová píla počas rezania zasekne, používateľ by mal:

- Vypnúť reťazovú pílu a bezpečne ju pripevniť k vnútornej strane stromu (tzn. ku kmeňu stromu) alebo k samostatnému lanu s náradím.
- Vytiahnuť reťazovú pílu zo zárezu, a zároveň zdvihnúť konár tak ďaleko, ako je potrebné.
- V prípade potreby uvoľniť zaseknutú reťazovú pílu pomocou ručnej píly alebo druhej reťazovej píly tak, že sa reže aspoň 30 cm od zaseknutej reťazovej píly.

Bez ohľadu na to, či sa na uvoľnenie zaseknutej reťazovej píly použije ručná alebo reťazová píla, rezy na uvoľnenie reťazovej píly by sa mali vždy vykonávať zvonku (smerom ku koncom konárov), aby reťazová píla nespadla spolu s odpílenými časťami a ešte viac neskomplikovala situáciu.

## 12. Preprava

- Vždy pri preprave používajte kryt vodiacej lišty (21).
- Reťazovú pílu pred každou prepravou vypnite aj pri krátkych trasách. Počas prepravy zaistíte stroj (aj vo vozidlách) proti preklopeniu, aby ste zabránili strate paliva, škodám alebo poraneniam.

- Aktivujte brzdú reťaze (zatlačte prednú ochranu rúk (3) dopredu).
- Prístroj noste len za prednú rukoväť (12). Vodiaca lišta (2) ukazuje pritom smerom dozadu, preč od tela.
- Horúci tlmič zvuku (18) držte ďalej od tela. Vzniká nebezpečnosť popálenia! (Obr. 23)

## 13. Čistenie a údržba

### VAROVANIE

#### Nebezpečenstvo poranenia!

Pred čistiacimi prácami vždy vypnite prístroj a vytiahnite konektor zapalovacej sviečky (35).  
(pozri kapitolu 13.4 Údržba zapalovacej sviečky (34)).

#### Upozornenie

Po každom použití by sa mal prístroj dôkladne vyčistiť. Vykonávajúce čistiace a údržbové práce len tak, ako je to uvedené v tomto návode na obsluhu. Ďalšie práce musí vykonať odborný personál. Údržbové práce sa musia pravidelne vykonávať (pozri kapitolu „Údržbové intervaly“).

### 13.1 Čistenie motorovej jednotky

### VAROVANIE

#### Nebezpečenstvo popálenia!

Nedotýkajte sa horúceho tlmiča zvuku, valca a chladiacich rebier.

- Ochranné zariadenia, vzduchové štrbiny a teleso motora udržiavajte podľa možnosti bez prachu a nečistôt. Vyfúkajte ich stlačeným vzduchom s nízkym tlakom.
- Prístroj pravidelne čistíte vlhkou handrou a malým množstvom vyplačovacieho prostriedku. Dbajte na to, aby sa do vnútra stroja nedostala žiadna voda.

### 13.2 Čistenie vzduchového filtra (33) (obr. 17)

Znečistené vzduchové filtre znižujú výkon motora vplyvom príliš malého prívodu vzduchu ku karburátoru.

Preto je nevyhnutná pravidelná kontrola. Vzduchový filter (33) by sa mal kontrolovať každých a v prípade potreby vyčistiť.

Vzduchový filter (33) sa pri veľmi prašnom vzduchu musí kontrolovať častejšie.

- Uvoľnite uzáver pre kryt vzduchového filtra (10) otáčaním proti smeru hodinových ručičiek.
- Odstráňte kryt vzduchového filtra (9).
- Odnímate vzduchový filter (33).

4. Vyčistíte vzduchový filter (33) vyklepaním alebo vyfúkáním (stlačeným vzduchom).

Zmontovanie sa vykonáva v opačnom poradí.

## POZOR

Vzduchový filter (33) nikdy nečistite benzínom ani horľavými rozpúšťadlami.

### 13.3 Čistenie reťazového pohonu

## VAROVANIE

#### Nebezpečenstvo poranenia!

Vždy noste ochranné rukavice, keď sa dotýkate pilovej reťaze (1). Nebezpečenstvo poranenia spôsobené ostrými reznými zubami!

#### Upozornenie

Po každom použití vyčistíte reťazový pohon.

1. Reťazovú pilu postavte na rovný a stabilný podklad.
2. Potiahnite prednú ochranu rúk (3) dozadu až na doraz, aby ste uvoľnili brzdú reťaze. (Obr. 2)
3. Otáčajte napinaciu skrutku reťaze (23) pomocou plochého skrutkovača (20) proti smeru hodinových ručičiek, aby ste znížili napnutie.
4. Odstráňte obe upevňovacie matice (16) pomocou kľúča na zapalovacie sviečky (20).
5. Zložte kryt reťazového kolesa (17).
6. Opatrne odnímate pilový reťaz (1) z vodiacej lišty (2) a reťazového kolesa (27).
7. Odstráňte vodiacu lištu (2). Vyčistíte ju štetcom.
8. Dôkladne vyčistíte celú oblasť reťazového pohonu a kryt reťazového kolesa (17) štetcom alebo vyfúkáním (stlačeným vzduchom).

Zmontovanie sa vykonáva v opačnom poradí.

### 13.4 Údržba zapalovacej sviečky (34) (obr. 19/20)

1. Odmontujte vzduchový filter (33) podľa opisu uvedeného v bode 13.2 „Čistenie vzduchového filtra (33)“.
2. Vytiahnite konektor zapalovacej sviečky (35) tým, že ho budete otáčať doľava a doprava a zároveň ho budete fahať. Konektor zapalovacej sviečky (35) držte a fahajte výlučne za zástrčku. Nikdy nefahajte za kábel!
3. Zapalovaciu sviečku (34) uvoľníte pomocou priloženého kľúča na zapalovacie sviečky (20).
4. Zmontovanie sa vykonáva v opačnom poradí.

Vzdialenosť elektród = 0,6 mm – 0,7 mm (vzdialenosť medzi elektródami, medzi ktorými sa tvoria zapalovacie iskry). Skontrolujte zapalovaciu sviečku (34) až po 10 prevádzkových hodinách ohľadom znečistenia a vyčistíte ho prípadne pomocou kľezy z medeného drôtu.

Údržbu zapalovacej sviečky (34) vykonávajte každých 50 prevádzkových hodín.

### 13.5 Údržba mazania reťaze

- Pozri kapitolu „Kontrola a nastavenie mazania reťaze“.

### 13.6 Údržba nastavení karburátora

- Ak sa pilový reťaz (1) pohybuje v chode naprázdno alebo motor pri ubratí plynu sám od seba zhasne, musí sa vykonať nastavenie karburátora.

#### Upozornenie

Nechajte vykonať nastavenia karburátora (napr. otáčky pri chode naprázdno) len kvalifikovanému odbornému personálu, aby ste zabránili poškodeniam motora.

### 13.7 Údržba vodiacej lišty (2)

- Pomocou kovového pilníka odstráňte všetky ostrapy, ktoré sa mohli vytvoriť na okraji lišty.
- Vyčistíte drážku vodiacej lišty (2) pomocou štetca alebo stlačeným vzduchom (obr. 21). Ihneď po opotrebovaní vodiacej drážky (28) vymeňte vodiacu lištu (2).
- Po každom použití obráťte vodiacu lištu (2), aby bolo zaručené rovnomerné opotrebovanie.
- Skontrolujte ozubené koleso (30) na hrote vodiacej lišty (2) ohľadom ľahkosti chodu. Prípadne ju namažte ložiskovým olejom. Nechajte odkvapkať trochu ložiskového oleja do mazacieho otvoru (31). (Obr. 21)

### 13.8 Kontrola brzdy reťaze

Pozri kapitolu 10.5 „Kontrola brzdy reťaze“

## VAROVANIE

#### NEBEZPEČENSTVO SPÄTNÉHO NÁRAZU!

Nefunkčná brzda reťaze zvyšuje riziko spätného nárazu.

Pravidelne kontrolujte brzdú reťaze.

Funkčná brzda reťaze je pre vašu bezpečnosť nevyhnutná.

### 13.9 Napnutie a kontrola pilovej reťaze (1)

Pozri kapitolu 9.2 „Napnutie a kontrola pilovej reťaze (1)“

### 13.10 Ostrenie a ošetrovanie pílovej reťaze (1)

#### **VAROVANIE**

#### **Nebezpečenstvo poranenia!**

Vždy noste ochranné rukavice, keď sa dotýkate pílovej reťaze (1). Nebezpečenstvo poranenia spôsobené ostrými reznými zubami!

#### **Upozornenie**

Optimálne ošetrená a naoštréná pílová reťaz (1) znižuje telesnú záťaž, opotrebovania a vedie k dobrému reznému výsledku. Čistite, ošetríte a ostríte pravidelne pílovú reťaz (1).

Pílovú reťaz (1) pravidelne kontrolujte ohľadom trhlín a poškodených nitov.

Stojanová brúska môže byť pripevnená k podpere stojanovej brúsky pre bezpečné držanie počas brúsenia.

Používajte len špeciálne kruhové pilníky pílovej reťaze Ø 4,8 mm (3/16") pre pílovú reťaz (1), ktorá je v rozsahu dodávky.

V súprave na ostrenie nájdete podrobné informácie o procese ostrenia.

Alternatívne používajte elektrický prístroj na ostrenie reťaze a dodržiavajte pokyny výrobcu.

V prípade pochybností o vykonaní práce je potrebné vykonať výmenu pílovej reťaze (1).

Prípadne nechajte ostrenie pílovej reťaze (1) vykonať v odbornej dielni.

- Potrebne príslušenstvo (neobsiahnuté v rozsahu dodávky):
  - Kruhový pilník pílovej reťaze Ø 4,8 mm (3/16")
  - Plochý pilník
  - Šablóna pre obmedzenie hĺbky
- Za účelom odstránenia materiálu brúste iba smerom vpred.
- Brúste len pri uhle ostrenia cca 25° so sklonom 10° k vodiacej lište (2).
- Skontrolujte vzdialenosť obmedzenia hĺbky šablónou pre obmedzenie hĺbky.
- Správna vzdialenosť obmedzovača hĺbky by mala byť 0,6 mm (0,024").

### 13.11 Údržbové intervaly

Pre dlhú životnosť, aby sa zabránilo poškodeniu a zabezpečila sa plná funkčnosť bezpečnostných zariadení, je potrebné pravidelne vykonávať nižšie opísané údržbové práce. Nároky na záruku budú akceptované len vtedy, ak sa tieto práce vykonávali pravidelne a správne. V prípade nedodržania vzniká nebezpečenstvo nehody!

Používatelia reťazových píl môžu vykonávať len tie údržbové a ošetrovacie práce opísané v tomto návode na obsluhu.

Každé práce idúce nad rámec smie vykonávať len odborná dielňa.

Všeobecne	Celá píla na orezávanie stromov	Vyčistite vonkajšiu časť a skontrolujte ohľadom poškodení. V prípade poškodení okamžite zabezpečte odbornú opravu.
	Pílová reťaz	Pravidelne prebrúste, včas obnovte.
	Brzda reťaze	Nechajte pravidelne skontrolovať v odbornej dielni.
	Vodiaca lišta	Otočte tak, aby sa zaťažené jazdné plochy opotrebovali rovnomerne. Včas vymeňte.
Pred každým uvedením do prevádzky	Pílová reťaz	Skontrolujte poškodenia a ostré hrany. Skontrolujte napnutie reťaze.
	Vodiaca lišta	Skontrolujte ohľadom poškodení.
	Mazanie reťaze	Funkčná skúška
	Brzda reťaze	Funkčná skúška
	Zapínač/vypínač, blokovanie plynovej páky, plynová páka	Funkčná skúška
	Uzáver palivovej nádrže a nádrže na reťazový olej	Skontrolujte ohľadom tesnosti.



Denne	vzduchový filter	čistenie.
	Vodiaca lišta	Skontrolujte ohľadom poškodení, vyčistite vstupný otvor oleja.
	Uchytenie lišty	Vyčistite, najmä vodiacu drážku oleja.
	Otáčky pri chode naprázdno	Skontrolujte (refaz nesmie bežať).
Týždenne	Teleso ventilátora	Vyčistite, aby ste zabezpečili správne prúdenie chladiaceho vzduchu.
	Zapaľovacia sviečka	Skontrolujte, príp. vymeňte.
	Tlmič zvuku	Skontrolujte upchatie.
	Zachytávač refaze	Skontrolujte ohľadom poškodení, príp. vymeňte.
	Skrutky a matice	Skontrolujte stav a pevné uloženie.
Štvrťročne	Nasávacía hlavica Palivová nádrž, nádrž na refazový olej	Výmena čistenie.
Skladovanie	Celá píla na orezávanie stromov	Vyčistite vonkajšiu časť a skontrolujte ohľadom poškodení. V prípade poškodení okamžite zabezpečte odbornú opravu.
	Pílová refaz a lišta	Demontujte, vyčistite a zľahka naolejujte. Vyčistite vodiacu drážku vodiacej lišty.
	Palivová nádrž, nádrž na refazový olej	Vyprázdnite a vyčistite.
	Karburátor	Pustite naprázdno.

### 13.12 Dôležité upozornenie pre prípad opravy

V prípade zasielania zariadenia na opravu majte na pamäti, že zariadenie sa z bezpečnostných dôvodov musí zasielať do servisnej stanice bez oleja a benzínu.

### 13.13 Servisné informácie

Je potrebné dbať na to, že pri tomto produkte podliehajú nasledujúce diely použitiu primeranému alebo prirodzenému opotrebovaniu, resp. nasledujúce diely sú potrebné ako spotrebné materiály.

Diely podliehajúce opotrebovaniu\*: pílová refaz, vodiaca lišta, refazový olej, motorový olej, ozubený doraz, zachytávačie zariadenie refaze, zapaľovacia sviečka, vzduchový filter, palivový filter, filter refazového oleja.

\* nie je nutne obsiahnuté v rozsahu dodávky!

### Schválená rezacia súprava

Pílová refaz	
Kangxin 3/8LP-40.....	7910100739
Oregon 91P040X.....	3910102032
Vodiaca lišta	
Kangxin AP10-40-509P.....	7910100740
Oregon 100SDEA041 .....	7910100744

### 14. Skladovanie

Kľúč na zapaľovacie sviečky/plochý skrutkovač (20) sa môže za účelom uschovania umiestniť zbokou na kryt vodiacej lišty (21).

Pri uskladnení vždy používajte kryt vodiacej lišty (21).

Čistite a udržiujte prístroj pred každým uskladnením, pozri kapitolu „Čistenie a údržba“.

Vyprázdnite úplne olejovú, resp. palivovú nádrž.

## VAROVANIE

Neodstraňujte benzín v uzavretých priestoroch, v blízkosti ohňa alebo pri fajčení. Plynové výpary môžu spôsobiť výbuchy alebo požiar.

- Naštartujte motor a nechajte ho bežať dovtedy, kým sa nespotrebuje zvyšný benzín.

Prístroj a jeho príslušenstvo skladujte na tmavom, suchom a nezamrzajúcom mieste neprístupnom pre deti. Optimálna skladovacia teplota sa nachádza medzi 5 a 30 °C.

Refazovú pílu neskladujte a nepoužívajte pri teplotách nižších ako 0 °C!

Refazovú pílu neuschovávajte nikdy dlhšie ako 30 dní bez vykonania nasledujúcich krokov.

Pred uskladnením zariadenia dodržiavajte upozornenia pre čistenie a údržbu!

### 14.1 Uloženie refazovej píly

Ak refazovú pílu uschováate dlhšie ako 30 dní, musí sa na to pripraviť. V opačnom prípade sa vyparí zvyšné palivo nachádzajúce sa v karburátore a zanechá usadeninu podobnú gume. Mohlo by to sťažiť štart a mať za následok drahé opravy.

1. Pomaly odnímate uzáver palivovej nádrže (13), aby ste znížili prípadný tlak v nádrži. Nádrž opatrne vyprázdnite.
2. Naštartujte motor a nechajte ho bežať, kým sa refazová píla nezastaví, aby ste odstránili palivo z karburátora.
3. Motor nechajte vychladnúť (cca 5 minút).
4. Odstráňte zapaľovaciu sviečku (34).
5. Do spaľovacej komory nalejte 1 čajovú lyžičku oleja pre 2-taktné motory. Niekoľkokrát pomaly potiahnite za štartovacie tiahlo (8), aby ste na vnútorné komponenty naniesli olej. Opäť nasadíte zapaľovaciu sviečku (34).

Refazovú pílu skladujte na suchom mieste, ďaleko od možných zápalných zdrojov, napr. pecí, teplovodných bojlerov s plynom, plynových sušičiek atď. a mimo dosah detí.

Kryt vodiacej lišty (21) nasadte vždy, ak nie je demontovaná pílová refaz (1) a vodiaca lišta (2).

### 14.2 Opätovné uvedenie refazovej píly do prevádzky

1. Odstráňte zapaľovaciu sviečku (34).
2. Za štartovacie tiahlo (8) potiahnite rýchlo, aby ste odstránili prebytočný olej zo spaľovacej komory.

3. Vyčistíte zapaľovaciu sviečku (34) a dbajte na správnu vzdialenosť elektród na zapaľovacej sviečke (34) alebo vložte novú zapaľovaciu sviečku (34) so správnu vzdialenosťou elektród.
4. Refazovú pílu pripravte na prevádzku.
5. Naplňte nádrž správnu zmesou oleja a paliva (1:40).

### 14.3 Skladovanie paliva

Palivá sú skladovateľné iba obmedzene. Palivo a palivové zmesi starnú vplyvom odparovania obzvlášť pod vplyvom vysokých teplôt. Nadmerne dlho skladované palivo a palivové zmesi tak môžu viesť k problémom pri štartovaní a poškodeniam motora. Nakupujte iba toľko paliva, koľko sa ho má počas niekoľkých mesiacov spotrebovať. Namiešané palivo pri vyšších teplotách spotrebuje v priebehu 6 – 8 týždňov.

**Palivo skladujte iba v schválených nádobách v suchu, chlade a bezpečí!**

## VAROVANIE

### Zabráňte kontaktu s pokožkou a očami!

Výrobky z minerálneho oleja, aj oleje, odmasťujú pokožku. Pokožka pri opakovanom a dlhšom kontakte vyschne. Následkom môžu byť rôzne kožné choroby. Okrem toho sú známe alergické reakcie.

Kontakt oleja s očami vedie k podráždeniam. Pri kontakte s očami ihneď príslušné oko vypláchnite čistou vodou. Pri pretrvávajúcom podráždení ihneď vyhľadajte lekára!

## 15. Likvidácia a opätovné zhodnotenie

### Upozornenia k baleniu



Baliace materiály sa dajú recyklovať. Prosím, likvidujte balenia ekologicky.

**O možnostiach likvidácie opotrebovaného prístroja sa informujte na vašej samospráve alebo štátnej správe.**

### Palivá a oleje

- Pred likvidáciou prístroja sa musí palivová nádrž a nádoba na motorový olej vyprázdniť!
- Palivo a motorový olej nepatria do domového odpadu, ale musia sa zbierať, resp. likvidovať oddelene!
- Prázdne olejové a palivové nádrže sa musia ekologicky zlikvidovať.

## 16. Odstraňovanie porúch

Porucha	Možná príčina	Náprava
Motor sa nenašartuje alebo sa našartuje, ale nepokračuje v chode.	Nesprávny postup pri spustení.	Dodržiavajte pokyny v tomto návode.
	Nesprávne nastavená zmes karburátora.	Nechajte karburátor nastaviť autorizovaným zákazníckym servisom.
	Zapaľovacia sviečka je znečistená sadzami.	Vyčistite/nastavte alebo vymeňte zapaľovaciu sviečku.
	Upchatý palivový filter.	Vymeňte palivový filter.
Motor sa našartuje, ale nebeží na plný výkon.	Znečistený vzduchový filter	Odstňte filter, vyčistite a nanovo nasadíte.
	Nesprávne nastavená zmes karburátora.	Nechajte karburátor nastaviť autorizovaným zákazníckym servisom.
Motor sa zadrháva.	Nesprávne nastavená zmes karburátora.	Nechajte karburátor nastaviť autorizovaným zákazníckym servisom.
Žiadny výkon pri zafazení	Nesprávne nastavená zapaľovacia sviečka.	Vyčistite/nastavte alebo vymeňte zapaľovaciu sviečku.
Motor beží nepravidelne.	Nesprávne nastavená zmes karburátora.	Nechajte karburátor nastaviť autorizovaným zákazníckym servisom.
Nadmerné zadymenie	Nesprávna zmes paliva.	Použite správnu zmes paliva (pomer 1:40).
Žiadny výkon pri zafazení	Tupá alebo uvoľnená refaz	Refaz naostrite alebo vložte novú refaz. Napnite refaz.
Motor zhasína.	Benzínová nádrž je prázdna alebo palivový filter v nádrži je nesprávne umiestnený.	Naplňte benzínovú nádrž. Úplne naplňte benzínovú nádrž alebo umiestnite palivový filter do palivovej nádrže inak.
Nedostatočné mazanie reface (lišta a refaz sa zahrievajú)	Nádrž na refazový olej je prázdna.	Naplňte nádrž na refazový olej.
	Priepustý oleja upchaté	Vyčistite otvor na mazanie olejom v lište. Vyčistite drážku lišty.

## 17. Záručný list

Vážená zákazníčka, vážený zákazník,

naše výrobky podliehajú prísnej kontrole kvality. V prípade, že nebude prístroj napriek tomu bezchybne fungovať, je nám to veľmi ľúto a prosíme Vás, aby ste sa obrátili na našu servisnú službu na adrese uvedenej na tomto záručnom liste. Radi Vám budeme k dispozícii taktiež telefonicky na uvedenom servisnom telefónnom čísle. Pri uplatňovaní nárokov na záručné plnenie platia nasledujúce podmienky:

- Tieto záručné podmienky upravujú dodatočné záručné plnenie. Vaše zákonné nároky na záruku nie sú touto zárukou dotknuté. Naše záručné plnenie je pre Vás zadarmo.
- Záručné plnenie sa vzťahuje výlučne len na nedostatky, ktoré sú spôsobené chybami materiálu alebo výrobnými chybami, a je obmedzené na odstránenie týchto nedostatkov resp. výmenu prístroja. Prosím, dbajte na to, že naše prístroje neboli svojim určením konštruované na profesionálne, remeselnícke ani priemyselné použitie. Táto záručná zmluva sa preto neuplatňuje, ak sa prístroj bude používať v profesionálnych, remeselníckych alebo priemyselných prevádzkach ako aj na činnosti rovnocenné s takýmto použitím. Z našej záruky sú okrem toho vylúčené náhradné plnenie za škody pri transporte, škody spôsobené nedodržaním návodu na montáž alebo na základe neodbornej inštalácie, nedodržaním návodu na použitie (ako napr. pripojením na nesprávne sieťové napätie alebo druh prúdu), zneužívaním alebo nesprávnym používaním (ako napr. preťaženie prístroja alebo použitie neprípustných pracovných nástrojov alebo príslušenstva), nedodržaním pokynov pre údržbu a bezpečnostných pokynov, vniknutím cudzích telies do prístroja (ako napr. piesok, kamene alebo prach), použitím násilia alebo cudzieho pôsobenia (napr. škody spôsobené pádom), a taktiež je vylúčené bežné opotrebenie primerané použitiu.

Nárok na záruku zaniká, ak už boli na prístroji svojvoľne uskutočnené zásahy.

- Doba záruky je 3 roky a začína sa dátumom nákupu prístroja. Nároky na záruku sa musia uplatniť pred koncom uplynutia záručnej doby do dvoch týždňov od zistenia nedostatku. Uplatnenie nárokov na záruku po uplynutí záručnej doby je vylúčené. Oprava alebo výmena prístroja nevedie k predĺženiu záručnej doby ani nedochádza na základe tohto plnenia ku vzniku novej záručnej doby pre prístroj ani pre akékoľvek inštalované náhradné diely. To platí taktiež pri nasadení miestneho servisu.
- Pre uplatnenie Vášho nároku na záruku sa, prosím, obráťte na nižšie uvedenú adresu servisu. Pokiaľ reklamácia prebieha počas záručnej doby, dáme Vám k dispozícii formulár o vrátení tovaru, s ktorým nám môže svoj chybný prístroj bezplatne poslať späť. Prosím, popíšte nám čo najpresnejšie dôvod reklamácie. Ak spadá defekt prístroja pod naše záručné plnenie, dostanete obratom naspäť opravený alebo nový prístroj.

Samozrejme Vám radi opravíme závady na prístroji na vaše náklady, ak tieto závady nespádajú alebo už nespádajú do rozsahu záruky. Prosím, pošlite nám v takom prípade prístroj na našu servisnú adresu.

### **Priama linka servisu (SK):**

00800 4003 4003  
(0,00 €/Min.)

### **E-mailová adresa (SK):**

service.SK@schepach.com

### **Adresa servisu (SK):**

GARLAND distributor, s.r.o.  
Hradecká 1136  
CZ - 50601 Jicín



Na stránke [www.lidl-service.com](http://www.lidl-service.com) si môžete stiahnuť tieto a veľa ďalších príručiek, videí o výrobkoch a inštalačné softvéry.



Pomocou kódu QR môžete priamo otvoriť stránku služieb spoločnosti Lidl ([www.lidl-service.com](http://www.lidl-service.com)) a otvoriť si návod na obsluhu zadaním čísla výrobku (IAN) 403506\_2204.

---

1.	Explicación de los símbolos en el aparato.....	173
2.	Indicaciones de uso .....	174
3.	Introducción.....	175
4.	Descripción del aparato .....	175
5.	Volumen de suministro .....	176
6.	Uso previsto.....	176
7.	Indicaciones de seguridad .....	176
8.	Datos técnicos .....	181
9.	Antes de la puesta en marcha .....	182
10.	Puesta en marcha.....	184
11.	Aplicación.....	186
12.	Transporte.....	189
13.	Limpieza y mantenimiento .....	189
14.	Almacenamiento .....	192
15.	Eliminación y reciclaje .....	193
16.	Solución de averías.....	194
17.	Certificado de garantía .....	195
18.	Plano de explosión .....	398
19.	Declaración de conformidad .....	400

## 1. Explicación de los símbolos en el aparato

 <p>Lea, entienda y respete todas las indicaciones de advertencia.</p>	 <p>Lea por completo las instrucciones de manejo antes de usar el equipo.</p>
 <p>¡Advertencia! Peligro de rebote Tenga cuidado con el retroceso de la motosierra y evite el contacto con el extremo del carril.</p>	 <p>No use el aparato si llueve o hay mucha humedad.</p>
 <p>Use gafas de protección. Porte protección auditiva.</p>	 <p>Lleve casco protector.</p>
 <p>Use siempre guantes de seguridad y antivibración para utilizar el equipo.</p>	 <p>Utilice siempre calzado de seguridad antideslizante protector contra los cortes cuando utilice el equipo.</p>
 <p>Es importante llevar ropa especial que proteja los pies, las piernas, las manos y los antebrazos.</p>	 <p>Maneje siempre la motosierra firmemente con ambas manos. No trabaje con la motosierra con una mano.</p>
 <p>¡Atención! La motosierra se utiliza en combinación con la técnica de trepado. Antes de iniciar el trabajo, familiarícese con todas las indicaciones relevantes al respecto.</p>	 <p>¡Prohibidos los fuegos y llamas abiertas en la zona de trabajo!</p>
 <p>Abertura de llenado de combustible. Mezcla de combustible-aceite 1:40</p>	 <p>Sentido de giro</p>
 <p>Tapón del depósito de aceite para cadenas</p>	 <p>Ajuste del freno de la cadena: Flecha blanca: Freno de cadena inactivo Flecha negra: Freno de cadena activado</p>
 <p>Palanca de arranque en frío (estrangulador de aire)</p>	 <p>Soltar el freno de la cadena</p>
 <p>Activar freno de cadena</p>	 <p>Dirección de montaje de la cadena</p>
 <p>Ajuste de la lubricación de la cadena</p>	 <p>Nivel de potencia acústica garantizado del equipo.</p>

	Piezas calientes.		push primer 6 times Pulse 6 veces la bomba de combustible (cebador).
<b>PELIGRO</b>	Palabra de advertencia para indicar una situación de peligro inminente que, de no evitarse, provocará la muerte o lesiones graves.		
<b>ADVERTENCIA</b>	Palabra de advertencia para indicar una situación potencialmente peligrosa que, de no evitarse, podría provocar la muerte o lesiones graves.		
<b>PRECAUCIÓN</b>	Palabra de advertencia para indicar una situación potencialmente peligrosa que, de no evitarse, podría provocar lesiones leves o moderadas.		
<b>NOTA</b>	Palabra de advertencia para indicar una situación potencialmente peligrosa que, de no evitarse, podría provocar daños materiales al producto o a la propiedad.		

## 2. Indicaciones de uso

### ADVERTENCIA:

**¡Antes de poner el equipo en funcionamiento por primera vez, lea por completo estas instrucciones de uso y cumpla obligatoriamente las normas de seguridad! Esta sierra para poda de árboles solo pueden utilizarla "Serristas para poda de árboles dotados de formación complementaria en trabajos sobre plataforma/cesta elevadora o técnica de trepado".**

**¡Guarde cuidadosamente las instrucciones de uso!**

### Nota:

**Preste atención a que algunos reglamentos nacionales pueden limitar el uso de la máquina.**



Esta sierra para poda de árboles está prevista especialmente para la poda y cirugía de árboles. Todos los trabajos con la sierra para poda de árboles están diseñados especialmente para la poda y cirugía de árboles. Dichos trabajos solo pueden realizarlos serristas para poda de árboles bien instruidos.



### 3. Introducción

#### FABRICANTE:

**Scheppach GmbH**

Günzburger Straße 69

D-89335 Ichenhausen (Alemania)

#### ESTIMADO CLIENTE:

Le deseamos éxito y disfrute al trabajar con su nuevo aparato.

#### NOTA:

El fabricante de este aparato, de acuerdo con la legislación alemana de responsabilidad sobre productos, no se hace responsable de los daños originados en este aparato o causados por éste en los siguientes casos:

- manejo incorrecto,
- inobservancia de las instrucciones de servicio,
- reparaciones efectuadas por personal técnico no autorizado ajeno a nuestra empresa,
- montaje y sustitución de piezas de repuesto no originales,
- empleo no conforme al previsto.

#### Observe lo siguiente:

Lea antes del montaje y de la puesta en marcha el texto completo del presente manual de instrucciones.

El presente manual de instrucciones tiene como fin facilitarle los conocimientos necesarios sobre su aparato y que pueda aprovechar sus posibilidades de uso conforme a las previstas.

El manual de instrucciones incluye importantes indicaciones sobre cómo debe trabajar con el aparato de forma segura, competente y rentable y cómo puede evitar peligros, ahorrar costes por reparaciones, reducir los tiempos de inactividad y aumentar la fiabilidad y la vida útil del aparato.

Además de las normas de seguridad incluidas en este manual de instrucciones, deberá observar estrictamente las prescripciones vigentes en su país para el funcionamiento del aparato. Conserve el manual de instrucciones en una funda de plástico, protegido del polvo y de la humedad, con el aparato. Este deberá leerse y observarse con atención por cada persona empleada antes de comenzar a trabajar por primera vez.

En el aparato solo deben trabajar personas instruidas en su manejo y familiarizadas con los peligros que este conlleva. Debe respetarse la edad laboral mínima.

Además de las indicaciones de seguridad incluidas en el presente manual de instrucciones y las prescripciones especiales vigentes en su país, deberán observarse las normas técnicas generalmente reconocidas para el funcionamiento de máquinas de estructura similar.

Declinamos cualquier responsabilidad de posibles accidentes o daños que puedan producirse por no obedecer las presentes instrucciones e indicaciones de seguridad.

### 4. Descripción del aparato

1. Cadena de sierra
2. Carril guía
3. Protector de manos delantero
4. Bomba de combustible "Primer"
5. Palanca de aceleración
6. Asa trasera
7. Bloqueo de la palanca de aceleración
8. Cable de arranque
9. Cubierta del filtro de aire
10. Tapón para la cubierta del filtro de aire
11. Tapón del depósito de aceite para cadenas
12. Asa delantera
13. Tapón del depósito de combustible
14. Palanca de arranque en frío (estrangulador de aire)
15. Interruptor de conexión/desconexión
16. Tuercas de fijación
17. Cubierta de la rueda de la cadena
18. Silenciador
19. Dispositivo colgador
20. Llave de bujías de encendido/destornillador para tornillos de cabeza ranurada
21. Tapa de la espada
22. Recipiente de mezcla
23. Tornillo de tensado de la cadena
24. Tope de garras
25. Captor de cadena
26. Pasador tensor de cadena
27. Rueda de cadena
28. Ranura guía
29. Perno de sujeción
30. Rueda dentada
31. Abertura de lubricación
32. Tornillo regulador de aceite
33. Filtro de aire
34. bujía de encendido
35. Conector de bujía de encendido
36. Cesto aspirante

## 5. Volumen de suministro

- Sierra para poda de árboles
- Cadena de sierra
- Carril guía
- Tapa de la espada
- Llave de bujías de encendido/destornillador para tornillos de cabeza ranurada
- Recipiente de mezcla

## 6. Uso previsto

Este aparato en una sierra para poda de árboles especialmente ligera y manejable con asidero en la parte superior. La sierra para poda de árboles ha sido especialmente diseñada para la cirugía y la poda de árboles. Estas sierras para poda de árboles solo pueden utilizarlas "Serristas para poda de árboles dotados de formación complementaria en trabajos sobre plataforma/cesta elevadora o técnica de trepado". Indicada para el uso ocasional en madera fina, la poda de árboles frutales, el desramado y tronzado.

Los trabajos de preparación de la madera de la chimenea solo deben realizarse siempre que el diámetro de la madera no supere la longitud de corte (20 cm).

Para estos trabajos recomendamos una motosierra convencional con una distancia entre empuñaduras prolongada o una longitud de corte larga.

Quién no está autorizado a usar el aparato:

Las personas que no estén familiarizadas con las instrucciones de servicio, jóvenes que no hayan cumplido aún los 16 años y personas que estén bajo los efectos de medicamentos, drogas o alcohol, o que estén débiles o enfermas.

El equipo suministrado está pensado exclusivamente para segar madera. El fabricante no se responsabiliza de ningún daño causado por un uso indebido o un manejo incorrecto.

El aparato solo debe utilizarse para el uso previsto. Se considerará inapropiado cualquier uso que vaya más allá. Los daños o lesiones de cualquier tipo producidos a consecuencia de lo anterior serán responsabilidad del usuario/operario, no del fabricante.

El cumplimiento de las indicaciones de seguridad también forma parte del uso conforme al previsto, al igual que el manual de montaje y las instrucciones de funcionamiento en el manual de instrucciones.

Las personas que se ocupen del manejo y mantenimiento del aparato deben estar familiarizadas con el mismo e informados sobre los posibles peligros.

Asimismo, también deben cumplirse de manera estricta las normas vigentes en prevención de accidentes.

También deben cumplirse las normas generales en materia de sanidad laboral y de técnicas de seguridad.

Si el usuario hiciera modificaciones en el aparato, el fabricante no se responsabilizará de ningún daño que ello pueda causar.

Recuerde que nuestros aparatos no están diseñados para usos comerciales, artesanales ni industriales. No concedemos ningún tipo de garantía si se utiliza el aparato en empresas comerciales, artesanales o industriales, ni en actividades de características similares.

### PELIGRO

El fabricante de este aparato, de acuerdo con la legislación alemana de responsabilidad sobre productos, no se hace responsable de los daños originados en este aparato o causados por éste en los siguientes casos:

- montaje y sustitución de piezas de repuesto no originales,
- Desmontaje o alteración de componentes de seguridad.

### 6.1 Empleo no conforme al previsto

- Este aparato no es adecuado para trabajos de tala.
- No utilice el carril guía como palanca para mover ramas de árboles o similares.
- No se permite serrar madera con un diámetro superior a 20 cm.

## 7. Indicaciones de seguridad

### 7.1 Notas generales

#### ADVERTENCIA

Cuide siempre de prestar atención a lo que hace y realice con prudencia el trabajo con un aparato. No utilice el aparato si está enfermo, cansado o si está bajo el efecto de drogas, alcohol o medicamentos. Un descuido durante el uso del aparato puede causar lesiones graves.

Evite todo uso erróneo, emplee la máquina solo tal y como se describe en "Uso conforme al previsto".

El manual de instrucciones contiene notas importantes sobre cómo trabajar con la motosierra de forma segura y profesional para evitar peligros.

No obstante, si se produce un bloqueo entre el material cortado y la cadena de sierra, desconéctela de inmediato. Espere hasta que la cadena de sierra se haya detenido del todo. Retire el conector de bujía de encendido y póngase un protector de manos contra corte cuando vaya a quitar el bloqueo. Si hubiera que retirar el carril guía (espada), siga las instrucciones descritas en el capítulo "Montaje". Hay que realizar una marcha de prueba una vez subsanado el bloqueo y realizado de nuevo el montaje.

Si determina vibraciones o ruidos mecánicos, deje de trabajar y póngase en contacto con un centro de servicio autorizado. Si este peligro se produce con más frecuencia, recomendamos una nueva formación.

- Antes de la puesta en marcha, lea el manual de instrucciones del aparato y preste atención especial a las indicaciones de seguridad.
- Las señales de advertencia e información que se encuentran en el aparato proporcionan notas importante para un funcionamiento seguro.
- Además de las indicaciones en las instrucciones de uso, deben observarse las normas generales de seguridad y prevención de accidentes del organismo regulador.
- ¡Mantenga las láminas de embalaje fuera del alcance de los niños, ya que entrañan peligro de asfixia!
- Los usuarios insuficientemente informados pueden manejar mal el aparato y ponerse en peligro a sí mismos y a otras personas. El usuario es responsable de cara a terceras personas.
- Antes de iniciar el trabajo, compruebe el funcionamiento de la palanca de aceleración. Este debe volver automáticamente a posición marcha al ralentí en cuanto se suelte.
- No trabaje más de 10 minutos seguidos. Se recomienda realizar una pausa de 10 - 20 minutos entre cada fase del trabajo.
- Preste el aparato solo a usuarios que tengan experiencia con él. Entréguelos también el manual de instrucciones.
- Algunas tareas de corte requieren una formación y unos conocimientos especiales. Si tiene dudas, póngase en contacto con un profesional.
- Los usuarios que lo utilizan por primera vez deben recibir instrucciones para familiarizarse con las características del aparato. Por su seguridad, asista a un curso de formación estatal sobre motosierras.
- Cuando haga una pausa, pose el aparato de modo que no suponga un peligro para nadie. Procure que nadie pueda acceder sin autorización.
- El usuario del aparato será responsable de todo accidente o peligro que pueda dañar a otras personas o a bienes de su propiedad.

- Queda prohibido el uso de la motosierra para niños, adolescentes y personas con facultades físicas, sensoriales o mentales mermadas. De lo anterior quedan exceptuados los adolescentes mayores de 16 años en el marco de una formación profesional bajo la vigilancia de un experto.
- El sistema de encendido del aparato crea un bajo campo electromagnético. Si usted es portador de un marcapasos o implantes similares, consulte a su médico antes de utilizar el aparato a fin de evitar riesgos para la salud.
- Tenga en cuenta que un mantenimiento inadecuado, el uso de piezas de repuesto no conformes y la extracción o modificación de los dispositivos de seguridad pueden provocar daños en el aparato, así como lesiones graves a la persona que trabaja con él.

## 7.2 Equipo de protección individual (EPI)

### PELIGRO

Lleve siempre un equipo de protección personal (EPP), como protección para los ojos (visor o gafas), la cabeza, las manos, las piernas y los pies adecuados para subir a los árboles.

- Póngase un casco protector facial o unas gafas de protección o una protección auditiva.
- Póngase ropa de trabajo ceñida con tejido anticorte.
- Póngase calzado de seguridad antideslizante.
- Lleve guantes de protección.
- Evite ropa ancha que pueda quedar atrapada.
- No se ponga pañuelos, corbata ni adornos.
- En caso de tener el cabello largo, recójase con una red.
- Póngase un casco protector durante todos los trabajos en el bosque. Este le protegerá frente a las ramas que caigan. Compruebe regularmente que el casco protector no tenga daños. Cámbielo a los 5 años a más tardar. Utilice solo cascos protectores comprobados.
- La protección facial o las gafas de protección le protegen de las virutas de aserrado y de las astillas de madera. Para evitar lesiones en los ojos, al efectuar cualquier trabajo con el aparato, deberá utilizarse siempre protección facial o gafas de protección.
- Lleve siempre protección auditiva. El ruido que emite el aparato puede causar lesiones auditivas.
- Utilice use guantes de protección robustos de material resistente, como cuero por ejemplo.
- Al serrar madera seca póngase una mascarilla antipolvo. Puede producirse aserrín.
- Al trabajar en el árbol, el usuario puede caer. El usuario puede resultar gravemente herido o morir. Llevar equipo de protección contra caídas.

### 7.3 Almacenamiento y transporte

- Desconecte la motosierra antes de cualquier transporte, también en los trayectos cortos. Desconecte inmediatamente el freno de cadena y ponga la protección de cadena.
- Utilice la protección de cadena en el transporte y almacenamiento.
- Asegure la máquina durante el transporte (también en los vehículos) para evitar vuelcos, pérdida de combustible, daños o lesiones.
- Transporte el aparato solo por el asidero delantero. El carril guía deberá mirar hacia atrás, separado de su cuerpo.
- Mantenga el silenciador caliente alejado de su cuerpo. ¡Peligro de quemaduras!
- Limpie y mantenga la motosierra antes del almacenamiento.
- Almacene el aparato en un lugar oscuro y seco. Protéjalo también contra un acceso no autorizado.

### 7.4 Seguridad del entorno

- Las normativas nacionales y/o municipales pueden imponer restricciones horarias al uso de aparatos motorizados que produzcan ruido. Consulte a su administración municipal al respecto.
- El aparato no debe funcionar en interiores ni en otras zonas mal ventiladas. Existe riesgo de asfixia por gases de escape tóxicos/vapores de aceite lubricante.
- Realice los trabajos solo a la luz del día.
- Tampoco trabaje en condiciones meteorológicas adversas, como p. ej., lluvia o viento. Existe un mayor riesgo de accidentes.
- Mantenga su zona de trabajo limpia y ordenada.
- Durante el trabajo, mantenga a los niños y otras personas alejados. Si se distrae, podría perder el control del aparato.
- Antes de empezar el trabajo, asegúrese de que no haya personas, animales ni bienes materiales en la zona de peligro del aparato.
- No trabaje cerca de vallas de alambre ni en lugares donde haya alambres viejos sueltos.
- Tenga preparados los extintores cuando trabaje en entornos fácilmente inflamables, como la hierba seca, etc. ¡Existe peligro de incendio!

### 7.5 Llene con combustible

- La gasolina es muy inflamable. Manténgase alejado de las llamas abiertas al repostar y no fume mientras lo hace. ¡Existe peligro de incendio!
- Tenga cuidado de no derramar gasolina. La gasolina o el aceite para cadenas no deben llegar a la tierra. Evítelo colocando algo debajo.

- Reponga combustible solo en zonas bien ventiladas. Los vapores de gasolina se infaman o explotan fácilmente.
- Apague el motor y deje que el aparato se enfríe antes de reponer combustible. En caso de gasolina derramada, limpie de inmediato el lugar afectado. No deje que el combustible llegue hasta su ropa, en cuyo caso, deberá cambiársela de inmediato.
- Evite también el contacto de la piel y los ojos con la gasolina o los lubricantes (aceite).
- No inhale vapores de gasolina/de aceite lubricante.
- Preste atención a las fugas. Si hay gasolina derramada, no arranque el motor. Existe peligro de quemaduras.
- Abra con cuidado el tapón del depósito para poder eliminar lentamente el exceso de presión existente y que no salpique gasolina.

### 7.6 Antes de la puesta en marcha

#### ADVERTENCIA

Realice siempre comprobaciones antes de la puesta en marcha y con el motor apagado.

Antes de cada uso y en caso de haberse caído al suelo, compruebe que el aparato se encuentra en un estado de funcionamiento seguro.

Compruebe que todas las piezas móviles funcionen perfectamente. Muchos accidentes se deben a herramientas que no han recibido el debido mantenimiento. Encargue la reparación de las piezas dañadas a personal técnico cualificado.

Use la motosierra y los accesorios solo de conformidad con estas instrucciones. Tenga en cuenta las condiciones de trabajo y los trabajos que se deben realizar. El uso de herramientas motorizadas para otros fines no previstos puede dar lugar a situaciones peligrosas.

- Compruebe regularmente la funcionalidad del freno de cadena (protector de manos delantero, véase Fig. 2).
- Compruebe que el carril guía esté bien montado.
- Compruebe que la cadena de sierra esté bien tensa. Siga las instrucciones de lubricación, tensado de la cadena y cambio de accesorios. Una cadena mal tensada o lubricada puede partirse o aumentar el riesgo de rebote.
- Mantenga las herramientas de corte afiladas y limpias. Afile regularmente y cambie a tiempo las piezas romas. Las herramientas de corte con bordes cortantes y afilados conservados cuidadosamente se atascan menos y son más fáciles de conducir.
- Compruebe la marcha suave de la palanca de aceleración y del bloqueo de la palanca de aceleración. La palanca de aceleración debe volver a la posición inicial.

- Compruebe que el depósito tenga suficiente combustible y lubricación de la cadena.
- Compruebe que los asideros estén secos y limpios de aceite y grasa.
- No trabaje nunca solo. Siempre debe haber alguien cerca en caso de emergencia.
- Utilice la motosierra solo si está en un terreno firme, seguro y uniforme. Evite posturas forzadas. Las superficies resbaladizas o inestables (p. ej. una escalera) pueden dar lugar a la pérdida de equilibrio o de control sobre la motosierra. Procure una buena estabilidad y mantenga siempre el equilibrio. De este modo, le será más fácil controlar la motosierra, en caso de que surja una situación imprevista.
- No trabaje con una motosierra sobre un árbol. Existe peligro de lesiones al trabajar subido a un árbol.
- Nunca sierre por encima de la altura del hombro.
- Sujete siempre la motosierra con su mano derecha en el asa trasera y la izquierda, en el asa delantera. Sostener siempre la motosierra en el sentido inverso a la posición de trabajo aumenta el riesgo de lesiones y, por lo tanto, no debe utilizarse.
- Cuando la motosierra esté en marcha, mantenga todas las partes del cuerpo apartadas de la cadena de sierra. Antes de poner en marcha la motosierra, compruebe que la cadena de sierra no toca ningún objeto. Al trabajar con una motosierra, un momento de descuido puede hacer que la cadena de sierra atrape la ropa o una parte del cuerpo.
- Apague la motosierra inmediatamente si nota cambios perceptibles en el comportamiento del equipo.
- Si la motosierra entra en contacto con piedras, clavos u otros objetos duros, apague el motor de inmediato y compruebe que la cadena de sierra y el carril guía no tengan daños.
- No deje caer la motosierra, no la golpee nunca contra obstáculos ni utilice el carril guía como palanca.
- Sierre solamente madera con la motosierra.
- Si va a cortar una rama que está tensa, tenga presente que rebotará. Si se libera la tensión en las fibras de madera, la rama tensa puede golpear al usuario y/o la motosierra se puede descontrolar.
- Tenga especial cuidado cuando corte matas y árboles jóvenes. El material delgado puede enredarse en la cadena de sierra y restallar hacia usted o hacerle perder el equilibrio.

## 7.7 Vibraciones

### ADVERTENCIA

Evite los riesgos de las vibraciones, p. ej., el riesgo de síndrome de Raynaud (trastornos circulatorios), realizando descansos frecuentes en los que, p. ej., se frote las palmas de las manos.

- Utilice use guantes protectores y asegúrese de que sus manos estén calientes.
- Asegúrese de que la cadena esté bien afilada.
- Realice pausas de trabajo regulares.

## 7.8 Medidas de precaución contra el rebote

### ADVERTENCIA

Durante el trabajo, preste atención al retroceso del aparato. Existe peligro de lesiones. Evite los rebotes con precaución y una correcta técnica de aserrado.

- En algunos casos, el contacto de la punta del carril con un objeto puede hacer que la motosierra rebote inesperadamente hacia atrás y que la espada suba bruscamente hacia el usuario.
- La motosierra puede rebotar si la punta de la espada toca un objeto o si la madera se dobla y la cadena se atasca durante el corte.
- Si la cadena de sierra se agarra en el borde superior del carril guía, la motosierra puede rebotar incontroladamente en la dirección del manejo.
- Si la cadena de sierra se agarra en el borde inferior del carril guía, la motosierra puede volverse rápida e incontroladamente en la dirección del manejo.
- Se extremadamente cuidadoso cuando aplique la cadena de la motosierra para seguir serrando en un corte ya empezado.
- No sierre ramas ni trozos de madera que puedan cambiar de posición durante el proceso de aserrado o donde el corte se cierre durante el procedimiento de aserrado.
- Cada una de estas reacciones puede hacerle perder el control de la sierra y causarle graves lesiones. Nunca confíe solamente en los dispositivos de seguridad instalados en la motosierra. Como usuario de una motosierra, tome distintas medidas para trabajar sin causar accidentes ni lesiones.

Un retroceso es el resultado de un uso incorrecto o deficiente. Se puede evitar tomando medidas de precaución como las que se describen a continuación:

- Sujete la motosierra con las dos manos rodeando sus asas con los pulgares y los dedos. Ponga su cuerpo y sus brazos en una posición que le permita resistir las fuerzas de rebote. Si se toman las medidas adecuadas, el usuario será capaz de dominar las fuerzas de rebote. Nunca suelte la motosierra.
- No ponga el cuerpo en una posición anormal ni sierre por encima de la altura de sus hombros. Así evitará tocar involuntariamente un objeto con la punta de la espada y podrá controlar mejor la motosierra ante una situación inesperada.

- Use siempre las espadas y cadenas de recambio prescritas por el fabricante. Si usa carriles de recambio o cadenas de sierra inadecuados, la cadena de sierra se puede partir y/o rebotar.
- Respete las instrucciones del fabricante sobre cómo afilar y mantener la cadena. Los limitadores de profundidad demasiado bajos hacen que la motosierra sea más proclive a rebotar.
- No sierre con la punta de la espada. Existe peligro de retroceso. (Fig. 7)
- Asegúrese de que no haya clavos ni piezas de metal en la zona de corte. Preste especial atención a los clavos o piezas de hierro que haya alrededor de la zona de corte. Sea también cuidadoso al serrar maderas duras en las que pueda atascarse la cadena. Esto puede provocar un retroceso.
- Empiece el corte a toda potencia y mantenga la motosierra siempre a máxima velocidad durante el aserrado.
- Procure que no haya objetos arrojados en el suelo con los que pueda tropezar.

### 7.9 Comportamiento y técnica de trabajo

- Trabaje solo con una buena iluminación y visibilidad. Procede con especial cuidado en caso de existir terreno resbaladizo, humedad, hielo o nieve (peligro de resbalamiento). La madera recién descortezada causa un elevado peligro de resbalamiento (cortezas).
- Nunca trabaje sobre bases inestables. Preste atención a cualquier obstáculo en el área de trabajo (peligro de tropiezo). Se deberá procurar mantener siempre una posición segura.
- Nunca efectúe el serrado por encima de los hombros.
- No realice nunca el serrado sobre escaleras.
- No trepe nunca a un árbol con la motosierra ni realice trabajos en el mismo sin contar con un sistema apropiado de retención del usuario y la máquina. Recomendamos efectuar los trabajos siempre desde una plataforma.
- No trabajar con el cuerpo demasiado arqueado.
- Maneje la motosierra de tal modo que ninguna parte del cuerpo se halle en el radio de giro de la cadena de sierra.
- Sierre solo madera con la motosierra.
- No toque el suelo con la cadena en funcionamiento.
- Limpie la zona de corte de cuerpos extraños tales como tierra, piedras, clavos, etc.,. Los objetos extraños dañan el dispositivo de aserrado y pueden ocasionar un retroceso (kickback) peligroso, además de salir despedidos.
- Al aserrar listones o bloques de madera aserrada, utilice una base segura (a ser posible, un caballete). No sujete nunca la madera con el pie ni encargue a otra persona que la sujete mientras Ud. la sierra.

- Los rollos de madera deberán asegurarse contra la torsión durante el corte.
- No trabaje nunca sin un tope de garras, la motosierra puede desgarrar al usuario por delante. Utilice el tope de garras para cortar troncos de árboles o ramas gruesas. Emplear el tope de garras aumenta la seguridad en el trabajo, disminuye la carga personal al trabajar, así como las vibraciones.
- Al efectuar cortes de tala o tronzado, se deberán colocar las grapas (tope de garras) sobre la madera que se vaya a cortar. También se recomienda el uso de las grapas a la hora de efectuar el corte de ramas gruesas.
- Coloque firmemente las grapas antes de cada corte de tronzado. A continuación, sierre la madera con la cadena en funcionamiento. Para ello, levante la motosierra con la empuñadura y guíela con el asa. El tope de garras sirve de punto de giro. La recolocación se efectúa aplicando una ligera presión sobre el asa. Retire un poco la motosierra hacia atrás. Inserte las grapas más profundamente y levante de nuevo la máquina por la empuñadura.
- Tenga cuidado al cortar madera astillada. Las piezas de madera serrada podrían salir proyectadas (peligro de lesiones).
- Al cortar con la parte superior del carril, la motosierra podría salir lanzada hacia el usuario si se queda trabada. Por tanto, siempre que sea posible se deberá serrar con la parte inferior de la espada, ya que así la motosierra se arrastrará hacia la madera en la dirección opuesta al cuerpo.
- La madera tensada siempre deberá cortarse en primer lugar por el lado de presión. A continuación se efectuará el corte de separación por el lado de tracción. De ese modo se evita que la espada se quede trabada.
- La motosierra puede caerse cuando se trabaja en el árbol. Las personas pueden lesionarse gravemente y producirse daños materiales. Asegure la motosierra con el dispositivo colgador.
- Pueden producirse resbalamientos laterales o saltos de la motosierra antes de introducir la cadena de sierra en la zona de corte.

### ADVERTENCIA

#### ¡Peligro elevado de retroceso!

Para conservar el control total en el momento del “aserrado”, reduzca la presión contra el extremo del corte sin dejar de agarrar con fuerza el asa en los asideros de la motosierra. Procure que la cadena de sierra no toque el suelo. Cuando termine el corte, espere a que la cadena de sierra se pare antes de retirar la motosierra. Apague siempre el motor de la motosierra antes de pasar de un árbol a otro.

## ADVERTENCIA

Si se usa para trabajos más largos, las vibraciones pueden causar alteraciones del riego sanguíneo en las manos de la persona que la use (fenómeno de Raynaud).

El fenómeno de Raynaud es una enfermedad de los vasos sanguíneos que produce espasmos en los capilares de los dedos de manos y pies. Las zonas afectadas dejan de recibir suficiente sangre y a causa de ello se ponen muy pálidas. El uso frecuente de aparatos que vibran puede causar daños nerviosos en las personas que no tienen un buen riego sanguíneo (por ejemplo en las personas fumadoras o diabéticas).

Si nota alguna dolencia extraordinaria, deje inmediatamente de trabajar y llame a un médico.

Tenga en cuenta las siguientes indicaciones para reducir los riesgos:

- Abrigue su cuerpo, y sobre todo sus manos, cuando haga frío.
- Haga pausas regularmente y, durante las pausas, mueva las manos para estimular la circulación.
- Cúide de que la máquina vibre lo menos posible. Para ello, preste mantenimiento regular al aparato y apriete las piezas que estén flojas.

### 7.10 Riesgos residuales

#### PELIGRO

##### ¡PELIGRO DE LESIONES!

El contacto con la cadena puede causar cortes mortales.

Nunca acerque las manos a la cadena cuando esté en marcha.

##### ¡PELIGRO DE REBOTE!

El rebote puede causar cortes mortales.

##### ¡PELIGRO DE QUEMADURAS!

La cadena y la espada se calientan durante el funcionamiento.

**El aparato se ha construido de acuerdo con los últimos avances tecnológicos y las reglas técnicas de seguridad de aplicación reconocidas. Aun así pueden emanar determinados riesgos residuales durante el trabajo.**

Además, a pesar de todas las precauciones adoptadas puede seguir habiendo riesgos residuales no evidentes.

Los riesgos residuales se pueden minimizar observando las "indicaciones de seguridad" y el "uso conforme a lo previsto", así como siguiendo las instrucciones de servicio en su integridad.

## 8. Datos técnicos

Máquina sin espada	
Largo x ancho x alto	270 x 230 x 240 mm
Peso sin combustible, sin accesorio de corte aprox.	3,4 kg
Peso sin combustible, con accesorio de corte aprox.	3,8 kg
Depósito para lubricación de la cadena	0,16 l
Capacidad del depósito de combustible	0,23 l
Mezcla de combustible-aceite	1:40
Longitud de corte	20 cm
Longitud de espada	30 cm
Lubricación automática de la cadena	Sí
Paso de la cadena	3/8" (9,525 mm)
Fuerza de eslabones de la cadena	1,27 mm
Tipo de cadena	3/8LP-40
Número de dientes de la rueda de la cadena de accionamiento	6
Paso de dientes de la rueda de la cadena de accionamiento	3/8"
Tipo de espada	AP10-40-509P
Velocidad de cadena máx.	21 m/s
Motor	de 1 cilindro de 2 tiempos, refrigerado por aire
Cilindrada del motor	25,4 cm <sup>3</sup>
Potencia del motor máx. según ISO 7293	0,7 kW
Número de revoluciones en régimen de marcha al ralentí n <sub>0</sub>	3300 ± 300 rpm
Máximas revoluciones con el juego de elementos de corte	11 000 rpm
bujía de encendido	L8RTC

**El nivel de presión acústica derivado del uso y de las acciones a realizar debe reducirse todo lo posible como para que el operario no sufra ningún perjuicio de salud. El nivel de presión acústica en el lugar de trabajo puede superar un valor de 80 dB (A). En tal caso el usuario debe adoptar medidas de protección contra el ruido (por ejemplo, llevar protección auditiva).**

**¡Limite a un mínimo la generación de ruidos y vibraciones!**

- Utilice únicamente aparatos en perfecto estado.
- Efectúe el mantenimiento del aparato y límpielo con regularidad.
- Adapte su forma de trabajo al aparato.
- No sobrecargue el aparato.
- En caso necesario, haga revisar el aparato.
- Desconecte el aparato si no lo utiliza.
- Use guantes.

Nivel de presión acústica medido $L_{pA}$ .....	99,2 dB
Incertidumbre $K_{pA}$ .....	3 dB
Nivel de potencia acústica garantizado $L_{WA}$ .....	113 dB
Nivel de potencia acústica $L_{WA}$ medido .....	108,7 dB
Incertidumbre $K_{WA}$ .....	3 dB

Vibración en el asa delantera .....	8,98 m/s <sup>2</sup>
Vibración en el asa trasera.....	8,03 m/s <sup>2</sup>
Incertidumbre.....	1,5 m/s <sup>2</sup>

### Utilice protección auditiva.

El efecto del ruido puede causar pérdida auditiva.

Los valores de emisiones de ruido indicados se han medido siguiendo un proceso de comprobación normalizado y pueden utilizarse para comparar un aparato con otro.

Los valores de emisión de ruidos indicados se pueden emplear también para una evaluación provisional de la carga.

### Advertencia:

- Las emisiones de ruido pueden diferir de los valores indicados durante el uso real del aparato, dependiendo del tipo y modo de uso del mismo, especialmente, del tipo de pieza de trabajo con la que se trabaje.
- Intente mantener lo más baja posible la carga. Medida a modo de ejemplo: limitación del tiempo de trabajo. Para ello, deben tenerse en cuenta todas las fracciones de los ciclos de funcionamiento (por ejemplo, tiempos en los que el aparato se encuentra desconectado, y tiempos en los que se encuentra conectado, pero funcionando sin carga).

## 9. Antes de la puesta en marcha

1. Abra el embalaje y extraiga el aparato cuidadosamente.
2. Retire el material de embalaje y los seguros de embalaje y transporte (si los hay).
3. Compruebe la integridad del volumen de suministro.
4. Compruebe que no haya daños de transporte en el aparato y en los componentes de los accesorios.
5. Conserve el embalaje por si fuera preciso hasta la extinción del período de garantía.
6. Retire la guía rápida en el cable de arranque (8).

### ATENCIÓN

¡El aparato y los materiales de embalaje no son aptos como juguetes para niños! ¡Los niños no deben jugar con bolsas de plástico, láminas o piezas pequeñas! ¡Existe peligro de atragantamiento y asfixia!

## 9.1 Montaje del carril guía (2) y de la cadena de sierra (1)

### ADVERTENCIA

#### ¡Peligro de lesión!

Póngase siempre use guantes de protección si va a tocar la cadena de sierra (1). ¡Peligro de lesiones por dientes de corte afilados!

Utilice solo las combinaciones de cadena de sierra (1) y carril guía (2) permitidas (véase el capítulo "Accesorios de corte permitidos).

Realice siempre el montaje con el motor apagado.

#### Nota

Una cadena de sierra (1) nueva se alarga, por lo que a menudo hay que retensarla. Compruebe regularmente la tensión de la cadena y reajústela.

El carril guía (2) se puede girar según el desgaste.

1. Coloque la motosierra sobre una superficie firme y plana.
2. Tire hacia atrás del protector de manos delantero (3) hasta su tope para soltar el freno de cadena. (Fig. 2)
3. Retire las dos tuercas de fijación (16) con la llave de bujías de encendido (20).
4. Quite la cubierta de la rueda de la cadena (17).
5. Gire el tornillo tensor de la cadena (23) a la izquierda (en sentido antihorario) hasta que el pasador tensor de cadena (26) se encuentre en el tope derecho (Fig. 3). Para ello, utilice el destornillador para tornillos de cabeza ranurada (20).
6. Deslice el orificio longitudinal del carril guía (2) sobre los dos pernos de sujeción que sobresalen (29).
7. Coloque la cadena de sierra (1) sobre el dentado de la rueda de cadena (27). Guíe la cadena de sierra (1) exactamente sobre el carril guía (2) en la dirección indicada. En la punta del carril guía (2) se encuentra una rueda dentada (30) en la que debe introducirse el dentado de la cadena de sierra (1). (Fig. 6 y 18)
8. Tire un poco del carril guía (2) para tensar ligeramente la cadena de sierra (1).
9. Vuelva a colocar la cubierta de la rueda de la cadena (17). Preste atención a que el pasador tensor de cadena (26) entre en el orificio adecuado del carril guía (2). Regule los tornillos tensores de la cadena (23) con el destornillador para tornillos de cabeza ranurada (20) si fuera necesario.



- Atornille las dos tuercas de fijación (16) con la mano. Pero procure no apretar demasiado fuerte. Las tuercas de fijación (16) se aprieten después de tensar la cadena de sierra (1).

## 9.2 Tense y compruebe la cadena de sierra (1).

### **ADVERTENCIA**

¡Póngase guantes de protección! ¡Peligro de lesiones por dientes de corte afilados!

Compruebe regularmente la tensión de la cadena antes de cada puesta en marcha.

Realice siempre las comprobaciones antes de la puesta en marcha y con el motor apagado.

- Antes de tensar, debe aflojar un poco las dos tuercas de fijación (16) con la llave de bujías de encendido (20).
- Gire el tornillo tensor de la cadena (23) en sentido antihorario con el destornillador para tornillos de cabeza ranurada (20) para reducir la tensión.
- Apriete las dos tuercas de fijación (16) con la llave de bujías de encendido (20).
- La cadena de sierra (1) debe colocarse en la parte inferior de la espada. Compruebe si la cadena de sierra (1) puede apretarse a mano a través del carril guía (2). En caso de freno de cadena suelto, tire hacia atrás del protector de manos delantero (3).

Realice siempre las comprobaciones antes de la puesta en marcha y con el motor apagado.

### **NOTA**

Una cadena de sierra (1) nueva se alarga, por lo que a menudo hay que retensarla.

## 9.3 Mezclar combustible

El motor debe funcionar con una mezcla de combustible compuesta por gasolina y aceite de motor.

### **ADVERTENCIA**

Evite el contacto directo de la piel con el combustible y la inhalación de vapores de combustible.

Utilice solo una mezcla de gasolina sin plomo (mín. RON 95) y aceite especial para motores de 2 tiempos (JASO FD/ISO · L · EGD). Prepare la mezcla de combustible tal y como se indica en la tabla de mezcla de combustible.

Ponga la cantidad adecuada de gasolina y aceite de 2 tiempos en el depósito de mezcla adjunto (22) (consulte la "Tabla de mezcla de combustible"). A continuación, agite bien el recipiente de mezcla (22).

### 9.3.1 Tabla de mezcla de combustible

**Método de mezcla: 40 partes de gasolina y 1 parte de aceite**

**Gasolina..... Aceite de 2 tiempos  
0,5 litros ..... 12,5 ml**

## 9.4 Llenar con combustible (Fig. 8)

### **ADVERTENCIA**

Llene el combustible solo cuando el motor esté apagado y se haya enfriado. ¡Existe peligro de incendio!

- Limpie siempre la zona alrededor del tapón del depósito de combustible (13) antes del llenado para evitar que caiga suciedad en el depósito de combustible. Para ello, utilice un paño seco y sin pelusa.
- Ponga el aparato de lado o póngalo de manera que el tapón del depósito de combustible (13) mire hacia arriba.
- Gire el tapón del depósito de combustible (13) en sentido antihorario y ábralo. El tapón del depósito de combustible (13) está conectado a un protector contra pérdidas en el depósito de combustible para que no puede caerse.
- Llene la mezcla de combustible en el depósito de combustible. Durante el repostaje, no derrame combustible ni llene el depósito de combustible hasta el borde.
- Elimine de inmediato el combustible derramado.
- Gire el tapón del depósito de combustible (13) en sentido horario para cerrarlo.

### **NOTA**

Controle también el aceite para cadenas tras cada llenado de combustible.

## 9.5 Soltar combustible

**Vacíe el depósito de combustible solo al aire libre o en espacios bien ventilados. No deje que penetre combustible en la tierra (protección del medio ambiente). Utilice una base adecuada.**

- Sujete un recipiente colector debajo del depósito de combustible.
- Desenrosque el tapón del depósito de combustible (13) y quítelo.

3. Suelte por completo la mezcla de gasolina y aceite.
4. Vuelva a enroscar fijamente el tapón del depósito de combustible (13) a mano.

### 9.6 Llenar con aceite para cadenas (Fig. 8)

#### ADVERTENCIA

Llene el aceite para cadenas de sierra solo con el motor apagado y enfriado. ¡Existe peligro de incendio!

Nunca trabaje sin la lubricación de la cadena. Una cadena de sierra (1) seca en marcha destruirá en poco tiempo el accesorio de corte de forma irreparable.

Antes de empezar a trabajar, compruebe siempre la lubricación de la cadena.

#### NOTA

Utilice solo aceite para cadenas de sierra. Preferiblemente, que sea biodegradable. No emplee aceite viejo, aceite de motor, etc.

Controle durante el trabajo si la lubricación de la cadena funciona.

1. Limpie siempre la zona alrededor del tapón del depósito de la cadena (11) antes del llenado para evitar que caiga suciedad en el depósito de aceite para cadenas. Para ello, utilice un paño seco y sin pelusa.
2. Ponga el aparato de lado o póngalo de manera que el tapón del depósito de aceite para cadenas (11) mire hacia arriba.
3. Gire el tapón del depósito de aceite para cadenas (11) en sentido antihorario y ábrala. El tapón del depósito de aceite para cadenas (11) está conectado a un protector contra pérdidas para evitar que el depósito de aceite para cadenas pueda caerse.
4. Llene el depósito de combustible con aceite para cadenas biológico. Durante el repostaje, no derrame el aceite para cadenas y no llene el depósito de aceite para cadenas hasta el borde.
5. Limpie de inmediato el aceite para cadenas derramado.
6. Gire el tapón del depósito de aceite para cadenas (11) en sentido horario para cerrarlo.

## 10. Puesta en marcha

#### PRECAUCIÓN

Tenga en cuenta las disposiciones legales sobre la ordenanza de protección contra el ruido.

Compruebe el aparato antes de cada puesta en marcha:

- Estandeidad del sistema de combustible
- Compruebe el estado impecable e integridad de los dispositivos de protección y del dispositivo de corte.
- Verifique que todas las atornilladuras estén bien fijadas.
- Marcha suave de todas las piezas móviles

### Indicaciones de trabajo

Familiarícese con la manipulación de la motosierra antes de su uso.

### 10.1 Arranque del motor

#### ADVERTENCIA

Aléjese por lo menos 3 metros del depósito antes de arrancar el motor (Fig. 9).

Tire del cable de arranque (8) siempre en línea recta. Sujete el asa del cable de arranque (8) firmemente cuando el cable de arranque (8) se vuelva a retraer. No deje nunca que el cable de arranque (8) se recoja con excesiva rapidez.

Suelte la palanca de aceleración (5) inmediatamente después de arrancar el motor. Asegúrese de que el número de revoluciones del motor estén de nuevo en marcha al ralentí antes de soltar el freno de cadena (presione hacia atrás el protector de manos delantero (3)).

Tire del cable de arranque en frío en frío (estrangulador de aire) (14) solo para arrancar.

#### 10.1.1 Arranque con el motor frío

#### ADVERTENCIA

Conecte inmediatamente el freno de cadena antes de cada puesta en marcha (presione hacia delante el protector de manos delantero (3)).

#### ADVERTENCIA

No deje nunca que el cable de arranque (8) se recoja con excesiva rapidez. Esto podría ocasionar daños.

1. Retire la cubierta del carril guía (21).
2. Coloque la motosierra sobre una superficie estable y plana. La cadena de sierra (1) no debe tocar el suelo.
3. Empuje hacia delante el protector de manos delantero (3) hacia delante, hasta que se encastre. La cadena de sierra (1) se bloquea mediante el freno de cadena.
4. Pulse 7 veces la bomba de combustible "Primer" (4). (Fig. 1)
5. Coloque el interruptor de conexión/desconexión (15) a "ON". (Fig. 1)

6. Tire del estrangulador de aire (choke) (14). (Fig. 10.2)
7. Sujete firmemente la motosierra por el asidero delantero (12) y tire del cable de arranque (8) lentamente hasta notar la primera resistencia.
8. A continuación, tire rápidamente del cable de arranque (8) hasta que el motor arranque. Si el motor no arranca, repita el procedimiento. Mientras la palanca de arranque (estrangulador de aire) (14) esté quitada, el motor solo se pondrá en marcha brevemente para volver a apagarse.
9. En cuanto el motor se apague, accione el bloqueo de la palanca de aceleración (7) y la palanca de aceleración (5) simultáneamente. La palanca de arranque en frío (estrangulador de aire) (14) salta automáticamente a la posición de servicio "Arranque en caliente". (Fig. 10.1)
10. A continuación, vuelva a tirar rápidamente del cable de arranque (8) hasta que el motor arranque.

Si el motor no arranca tras varios intentos lea el capítulo "Solución de averías".

#### NOTA

A altas temperaturas exteriores, puede que haya que arrancar el motor frío sin la palanca de arranque en frío (estrangulador de aire) (14).

- Suelte el freno de cadena, tirando hacia atrás del protector de manos delantero (3). (Fig. 2)
- **¡PRECAUCIÓN!** Ahora se suelta el freno de cadena. Si se acciona la palanca de aceleración (5) junto con el bloqueo de la palanca de aceleración (7), se pone en marcha la cadena de sierra (1).

#### 10.1.2 Arranque con el motor caliente

**(El aparato ha estado menos de 15 - 20 minutos parado.)**

#### ADVERTENCIA

Conecte inmediatamente el freno de cadena antes de cada puesta en marcha (presione hacia delante el protector de manos delantero (3)).

1. Empuje hacia delante el protector de manos delantero (3) hacia delante, hasta que se encastre. La cadena de sierra (1) se bloquea mediante el freno de cadena.
2. Coloque el interruptor de conexión/desconexión (15) a "ON".
3. No tire del estrangulador de aire (choke) (14) para arrancar el motor en caliente.

4. Sujete firmemente la motosierra por el asidero delantero (12) y tire del cable de arranque (8) lentamente hasta notar la primera resistencia.
5. A continuación, tire rápidamente del cable de arranque (8). El aparato debería ponerse en marcha después de 1-2 tracciones. En caso de que el aparato no se ponga en marcha después de 6 tracciones, repita el procedimiento descrito en "Arranque con el motor frío".

### 10.2 Parar el motor

#### 10.2.1 Procedimiento de emergencia

Si tuviera que desconectar el aparato de inmediato, ponga el interruptor de conexión/desconexión (15) en la posición "OFF" (desconectado). (Fig. 1)

#### 10.2.2 Procedimiento normal

1. Suelte la palanca de aceleración (5). El motor pasa a velocidad de marcha al ralentí.
2. Ponga el interruptor de conexión/desconexión (15) en "OFF". (Fig. 1)

### 10.3 Funcionamiento en marcha al ralentí

#### ADVERTENCIA

En marcha al ralentí la cadena de sierra (1) tiene que estar parada.

#### NOTA

Si la cadena de sierra (1) se mueve con la marcha al ralentí o el motor se detiene por sí solo cuando se le deja de dar gas, deberá realizar un ajuste del carburador (véase capítulo "Mantenimiento de ajuste del carburador").

1. Levante la motosierra.
2. Sujete firmemente el asidero delantero con la mano izquierda (12).
3. Sujete firmemente el asidero trasero con la mano derecha (6). Al hacerlo, la palma de la mano debe estar situada sobre el bloqueo de la palanca de aceleración (7) y el dedo índice debe accionar la palanca de aceleración (5).
4. Después de accionar una vez la palanca de aceleración (5), el motor funciona en marcha al ralentí.
5. Deje que el motor se caliente brevemente.

## 10.4 Comprobar y ajustar la lubricación de la cadena

### ⚠ ADVERTENCIA

- Nunca trabaje sin la lubricación de la cadena. Una cadena de sierra (1) seca en marcha destruirá en poco tiempo el accesorio de corte de forma irreparable.
- Antes de empezar a trabajar, compruebe siempre la lubricación de la cadena.

#### Nota

Utilice solo aceite para cadenas de sierra, preferiblemente, que sea biodegradable. No emplee aceite viejo, aceite de motor, etc.

Mantenga la motosierra sobre un tocón de árbol aserrado o una superficie adecuada durante el funcionamiento en marcha a un número de revoluciones medio. Si la lubricación es suficiente, se formará una ligera película de aceite en el tocón del árbol o la superficie.

- En caso necesario, la lubricación de la cadena puede aumentarse o reducirse mediante el tornillo de regulación del aceite (32) (Fig. 11).
- Para ello, sírvase del destornillador para tornillos de cabeza ranurada (20):
  - Para reducir la lubricación de la cadena, primero, gire y presione el tornillo de regulación del aceite (32) en sentido horario.
  - Para aumentar la lubricación de la cadena, primero, gire y presione el tornillo de regulación del aceite (32) en sentido antihorario.

## 10.5 Comprobar freno de cadena

### ⚠ ADVERTENCIA

El freno de cadena debe comprobarse antes de cada puesta en marcha.

El freno de cadena frena de inmediato la cadena de sierra (1) en caso de retroceso.

1. Procure que el protector de manos delantero (3) no tenga suciedad y pueda moverse con ligereza.
2. Arranque la motosierra y acelere la cadena de sierra (1) a plena velocidad (a todo gas).
3. Accione el protector de manos delantero (3) cuando la cadena de sierra (1) esté en marcha. El freno de cadena debe frenar y bloquear la cadena de sierra (1) a velocidad máxima.

### ⚠ ADVERTENCIA

Mantener un gran número de revoluciones del motor durante largo tiempo puede dañar el motor y el accionamiento de la cadena si el freno de cadena está bloqueado.

Si, a pesar de todo la cadena de sierra (1) se moviera, póngase en contacto con el servicio al cliente.

## 11. Aplicación

### 11.1 Trabajos de descarga

- Por norma, tenga en cuenta el peligro de ramas en retroceso.
- No se coloque sobre el tronco al descargarlo.
- No sierre con el extremo del carril. (Fig. 7)
- No corte nunca varias ramas de una vez.
- Al descargar, apoye la motosierra con el tope de garras (24) si es posible.
- Procure que la motosierra pueda girar mediante su propio peso en el extremo de corte. Como ya no se apoya en el corte, manténgase de frente en consecuencia.
- Adopte una posición firme, estable y segura cuando descargue.

#### 11.1.1 Trabajos de descarga de trozos de corte

Acorte las ramas largas o gruesas antes de efectuar el corte de separación final. De lo contrario, la cadena de la sierra (1) podría agarrotarse o producirse un retroceso.

#### 11.1.2 Trabaje la madera bajo tensión

Es esencial seguir la secuencia correcta cuando se corta madera que está bajo tensión. De lo contrario, la cadena de sierra (1) podría agarrotarse o producirse un retroceso.

La madera tensada siempre deberá cortarse en primer lugar por el lado de presión. A continuación se efectuará el corte de separación por el lado de tracción. (Fig. 24)

Esto evita que la cadena de sierra (1) se atasque.

### ⚠ ADVERTENCIA

#### ¡Daños materiales!

La madera caída no debe tocar el suelo en la parte inferior de la zona de corte, de lo contrario la cadena de sierra (1) puede resultar dañada.

#### Retroceso

- Si la cadena de sierra (1) se agarra en el borde superior del carril guía (2), la motosierra puede rebotar incontroladamente en la dirección del manejo.

## Tirar hacia dentro

- Si la cadena de sierra (1) se agarra en el borde inferior del carril guía (2), la motosierra puede volverse rápida e incontroladamente en la dirección del manejo.

## Trabajo seguro

- Mantenga el aparato en un buen estado de uso para evitar lesiones.
- Tras dejar caer el aparato, compruebe la existencia de daños o defectos significativos.
- No emplee el aparato de pie en una escalera ni en un lugar de colocación inseguro.
- No caiga en la tentación de hacer un corte que no haya pensado bien antes. Esto podría ponerle a usted y a otros en peligro.
- Cambie regularmente su posición de trabajo. Un uso prolongado del aparato puede provocar problemas circulatorios en las manos inducidos por las vibraciones. Sin embargo, puede prolongar la duración del uso poniéndose unos guantes adecuados o haciendo descansos regulares. Tenga en cuenta que la predisposición personal a la mala circulación, las bajas temperaturas exteriores o las grandes fuerzas de agarre al trabajar reducen la duración del uso.

### 11.2 El tronco de madera está curvado hacia abajo

1. Primero realice el corte de descarga 1 (aproximadamente 1/3 del diámetro del tronco) en el lado de presión.
2. Después realice el corte de descarga 2 (aproximadamente 2/3 del diámetro del tronco) en el lado de tracción.

### 11.3 El tronco de madera está curvado hacia arriba

1. Primero realice el corte de descarga 1 (aproximadamente 1/3 del diámetro del tronco) en el lado de presión.
2. Después realice el corte de descarga 2 (aproximadamente 2/3 del diámetro del tronco) en el lado de tracción.

### 11.4 Uso de la sierra para podar árboles en combinación con la técnica de escalada con cuerda

Este anexo presenta las prácticas de trabajo apropiadas para reducir el peligro de lesiones por el uso de motosierras para podar árboles al trabajar en altura con un cable y una correa portadora. Aunque puede servir como guía y lectura de formación, no debe considerarse como un sustituto de la formación formal. Las orientaciones que se ofrecen en este anexo solo son un ejemplo de buenas prácticas laborales.

Puede que se apliquen normas nacionales o de otro tipo más estrictas.

El usuario de una motosierra para podar árboles que trabaje en altura con cable y correa portadora nunca debe hacerlo solo. Un trabajador de tierra formado en los procedimientos de emergencia apropiados debe estar presente para ayudar. El usuario debe estar formado en técnicas generales de escalada y posicionamiento de trabajo seguros, y debe estar equipado con correas portadoras, cables, eslingas, mosquetones y demás equipamiento para mantener posiciones de trabajo seguras y correctas tanto para él como para la sierra.

Se deberán respetar puntualmente las leyes y normas nacionales en todo momento.

Este anexo no se ocupa de las técnicas de control de las ramas y ramitas cortadas por la motosierra, ni incluye los puntos ya tratados sobre el uso seguro.

#### 11.4.1 Requisitos generales

El usuario de una motosierra para podar árboles que trabaje en altura con cable y correa portadora nunca debe hacerlo solo. Un trabajador de tierra formado en los procedimientos de emergencia apropiados debe estar presente para ayudar.

El usuario debe estar formado en técnicas generales de escalada y posicionamiento de trabajo seguros, y debe estar equipado con correas portadoras, cables, eslingas, mosquetones y demás equipamiento para mantener posiciones de trabajo seguras y correctas tanto para él como para la sierra.

#### 11.4.2 Preparativos antes de utilizar la sierra de podar en el árbol

El trabajador en tierra debe revisar, alimentar arrancar y calentar la motosierra luego apagarla antes de subirla al usuario en el árbol.

La motosierra debe estar provista de una eslinga adecuada para poder sujetarla a la correa portadora del usuario (Fig. 13):

- Fije la eslinga al dispositivo de suspensión (19) situado en la parte posterior de la sierra (Fig. 12).
- Se dispondrá de mosquetones adecuados para permitir la fijación indirecta (es decir, a través de la eslinga) y directa (es decir, al dispositivo de suspensión de la motosierra (19)) de la sierra a la correa portadora del usuario.
- Asegúrese de que la motosierra está bien sujeta cuando la acerque al usuario (Fig. 14).
- Asegúrese de que la motosierra esté enganchada a la correa portadora antes de separarla de la cuerda elevadora.

La posibilidad de enganchar la motosierra directamente a la correa portadora reduce el riesgo de daños en el equipamiento al moverse por el árbol. La motosierra siempre deberá estar descolgada cuando esté fijada directamente a la correa portadora.

La motosierra solo deberá engancharse a los dispositivos colgadores recomendados de la correa portadora. Estos pueden estar en el centro (delante o detrás) o en los laterales. Siempre que sea posible, fije la motosierra en la parte central trasera de la correa portadora para mantenerla alejada de las cuerdas de escalada y para soportar el peso de forma centralizada bajo la columna vertebral del usuario.

Si la motosierra se traslada de un dispositivo de suspensión a otro, los usuarios deben asegurarse de que esté asegurada en la nueva posición antes de soltarla del dispositivo de suspensión anterior.

### 11.5 Uso de la motosierra en el árbol

Un análisis de los accidentes con estas motosierras en los trabajos de poda de árboles muestra que la causa principal es el empleo inadecuado de la motosierra con una sola mano. En la mayoría de los accidentes, los usuarios no adoptan una posición de trabajo segura que les permita sujetar la motosierra por ambas asas, lo que conlleva un mayor peligro de lesiones debido a lo siguiente:

- Falta de un agarre firme cuando la motosierra retrocede.
- Falta de control de la motosierra, por lo que puede entrar fácilmente en contacto con las cuerdas de escalada y con el cuerpo del usuario (especialmente la mano y el brazo izquierdos).
- Pérdida de control debido a una posición de trabajo insegura y, por tanto, al contacto con la motosierra (movimientos inesperados al trabajar con la motosierra).

### 11.6 Posición de trabajo segura empleando ambas manos

Para poder sujetar la motosierra con las dos manos, los usuarios deben intentar adoptar siempre una posición de trabajo segura en la que la sierra se guíe de la siguiente manera:

- A la altura de la cadera al serrar piezas horizontales.
- A la altura del estómago al serrar piezas verticales.

Si el usuario trabaja cerca del tronco vertical con pocas fuerzas laterales respecto a la posición de trabajo, una sujeción segura del pie puede ser suficiente para una posición de trabajo segura. Sin embargo, en cuanto el usuario se aleje del tronco, debe tomar medidas adicionales para reducir o contrarrestar las fuerzas laterales crecientes, por ejemplo, desviando la cuerda principal sobre un dispositivo de suspensión adicional o utilizando una eslinga ajustable que vaya desde el arnés hasta un dispositivo de suspensión adicional (Fig. 15 y 16).

### 11.6.1 Arranque de la sierra de podar en el árbol

Al comenzar con la motosierra en el árbol, el usuario deberá:

- Accionar el freno de cadena antes de comenzar (presione hacia delante el protector de manos delantero (3)).
- Mantener la motosierra al comienzo a derecha o izquierda del cuerpo:
  - Sujetar la motosierra por el lado izquierdo con la mano izquierda en el asa delantera y empujar la motosierra lejos del cuerpo mientras sujeta la cuerda de arranque con la mano derecha.
  - Sujetar la motosierra por el lado derecho con la mano derecha en una de las dos asas y empujar la motosierra lejos del cuerpo mientras se sujeta la cuerda de arranque con la mano izquierda.

El freno de cadena debe estar siempre activado antes de bajar la motosierra en marcha por su cuerda de transporte.

Antes de comenzar a efectuar trabajos difíciles de aserrado, el usuario deberá asegurarse siempre de que la motosierra dispone de suficiente combustible.

### 11.6.2 Empleo de la motosierra con una sola mano

Los usuarios no deben utilizar las motosierras para podar los árboles con una sola mano en posiciones de trabajo inestables o en lugar de una sierra de mano para cortar las puntas de las ramas de pequeño diámetro.

Las sierras de cadena para podar los árboles solo deben utilizarse con una mano si

- a. no es posible para el usuario obtener una posición de trabajo que permita el uso con dos manos,
- b. es necesario asegurar la posición de trabajo con una mano,
- c. la motosierra se utiliza en posición totalmente extendida, en ángulo recto y fuera de la línea del cuerpo del usuario.

Los usuarios nunca deben:

- Serrar con la zona de retroceso en la punta del carril guía (2) de la motosierra.
- Sujetarse a la rama que están serrando.
- Intentar atrapar las piezas que caen.

### 11.6.3 Liberar una motosierra atascada

En caso de que la motosierra se atasque durante el corte, el usuario deberá:

1. Apagar la motosierra y sujetarla de forma segura hacia el interior del árbol (es decir, hacia el tronco) o a una cuerda para herramientas independiente.
2. Tirar de la motosierra por el lado del corte levantando al mismo tiempo la rama todo lo necesario.

3. Utilizar si es necesario un serrucho o una segunda motosierra para soltar la motosierra agarrotada realizando un corte de al menos 30 cm de distancia de la misma.

Independientemente de si se utiliza una sierra de mano o una motosierra para soltar una motosierra agarrotada, los cortes para liberarla deben hacerse siempre por fuera (hacia las puntas de las ramas) para que la motosierra no se lleve consigo las partes aserradas y complique aún más la situación.

## 12. Transporte

- Utilice siempre la cubierta del carril guía (21) durante el transporte.
- Desconecte la motosierra antes de cualquier transporte, también en los trayectos cortos. Asegure la máquina durante el transporte (también en los vehículos) para evitar vuelcos, pérdida de combustible, daños o lesiones.
- Active el freno de cadena (presione hacia delante el protector de manos delantero (3)).
- Transporte el aparato solo por el asidero delantero (12). El carril guía (2) deberá mirar hacia atrás, separado de su cuerpo.
- Mantenga el silenciador (18) caliente alejado de su cuerpo. ¡Peligro de quemaduras! (Fig. 23)

## 13. Limpieza y mantenimiento

### ⚠ ADVERTENCIA

#### ¡Peligro de lesión!

Desconecte siempre el aparato antes de realizar trabajos de limpieza y desconecte el conector de bujía de encendido (35). (Véase el capítulo 13.4 "Mantenimiento de la bujía de encendido" (34)).

#### Nota

Después de cada uso, de limpiarse el aparato en profundidad. Realice los trabajos de limpieza y mantenimiento únicamente en la medida indicada en este manual de instrucciones. Otros trabajos debe realizarlos personal técnico.

Los trabajos de mantenimiento deben realizarse regularmente (véase el capítulo "Intervalos de mantenimiento").

## 13.1 Limpieza de la unidad de motor

### ⚠ ADVERTENCIA

#### ¡Peligro de quemaduras!

No tocar el silenciador caliente, el cilindro, ni las aletas de refrigeración.

- En lo posible, mantenga los dispositivos de protección, las ranuras de aire y el cárter del motor libres de polvo y suciedad. Límpielos con aire comprimido a poca presión.
- Limpie regularmente el aparato con un paño húmedo y algo de detergente. Ponga cuidado para que no entre agua en el interior del aparato.

## 13.2 Limpieza del filtro de aire (33) (Fig. 17)

Los filtros de aire contaminados reducen la potencia del motor debido a una menor alimentación de aire hacia el carburador. Por lo tanto, es indispensable realizar verificaciones regulares. El filtro de aire (33) debe controlarse regularmente y limpiarse en caso necesario.

Si el aire tiene demasiado polvo, el filtro de aire (33) se comprobará más a menudo.

1. Desensosque la tapa de la cubierta del filtro de aire (10) girándola en sentido antihorario.
2. Retire la cubierta del filtro de aire (9).
3. Quite el filtro de aire (33).
4. Limpie el filtro de aire (33) sacudiéndolo o soplándolo (con aire comprimido).

El montaje se realiza en el orden inverso.

### ⚠ ADVERTENCIA

No limpie nunca el filtro de aire (33) con gasolina ni con disolventes inflamables.

## 13.3 Limpieza del accionamiento de la cadena

### ⚠ ADVERTENCIA

#### ¡Peligro de lesión!

Póngase siempre use guantes de protección si va a tocar la cadena de sierra (1). ¡Peligro de lesiones por dientes de corte afilados!

#### Nota

Limpie el accionamiento de la cadena después de cada uso.

1. Coloque la motosierra sobre una superficie firme y plana.
2. Tire hacia atrás del protector de manos delantero (3) hasta su tope para soltar el freno de cadena. (Fig. 2)

3. Gire el tornillo tensor de la cadena (23) en sentido antihorario con el destornillador de tornillos de cabeza ranurada (20) para reducir la tensión.
4. Retire las dos tuercas de fijación (16) con la llave de bujías de encendido (20).
5. Quite la cubierta de la rueda de la cadena (17).
6. Extraiga la cadena de sierra (1) con cuidado del carril guía (2) y de la rueda de cadena (27).
7. Retire el carril guía (2). Límpielo con un pincel.
8. Ahora, limpie bien toda la zona del accionamiento de la cadena y la cubierta de la rueda de la cadena (17) con un pincel o soplando (con aire comprimido).

El montaje se realiza en el orden inverso.

### 13.4 Mantenimiento de la bujía de encendido (34) (Fig. 19/20)

1. Desmonte el filtro de aire (33) tal y como se describe en 13.2 "Limpieza del filtro de aire" (33).
2. Extraiga el conector de bujía de encendido (35) girándolo hacia la izquierda y la derecha y tirando simultáneamente hacia sí. Mantenga sujeto el conector de bujía de encendido (35) y tire únicamente de la clavija de conexión. ¡No tire nunca del cable!
3. Suelte la bujía de encendido (34) con la llave de bujías de encendido (20) adjunta.
4. El montaje se realiza en el orden inverso.

Distancia entre electrodos = 0,6 mm - 0,7 mm (distancia entre los electrodos entre los que se genera la chispa de encendido). Compruebe la bujía de encendido (34) pasadas las primeras 10 horas de servicio en busca de suciedad y, en caso necesario, límpiela con un cepillo de alambre de cobre. Después, realice el mantenimiento de la bujía de encendido (34) cada 50 horas de servicio.

### 13.5 Mantenimiento de la lubricación de la cadena

- Véase el capítulo "Comprobar y ajustar la lubricación de la cadena".

### 13.6 Mantenimiento de los ajustes del carburador

- Si la cadena de sierra (1) se mueve con la marcha al ralentí o el motor se detiene automáticamente cuando se le deja de dar gas, debe realizarse un ajuste del carburador.

### Nota

Los ajustes del carburador (p. ej., ajuste del número de revoluciones en régimen de marcha al ralentí) debe llevarlos a cabo exclusivamente personal técnico cualificado con el fin de evitar daños en el motor.

### 13.7 Mantenimiento del carril guía (2)

- Elimine las posibles rebabas en el borde del carril con la ayuda de una lima para metales.
- Limpie la ranura del carril guía (2) con la ayuda de un pincel o con aire comprimido (Fig. 21). Cambie el carril guía (2) en cuanto la ranura guía (28) esté desgastada.
- Dé la vuelta al carril guía (2) después de cada uso, para garantizar un desgaste homogéneo.
- Compruebe la marcha suave de la rueda dentada (30) en la punta del carril guía (2). Lubríquela con aceite para engranaje si fuera necesario. Deje que caer algunas gotas de aceite para engranaje en la abertura de lubricación (31). (Fig. 21)

### 13.8 Comprobar freno de cadena

Véase el capítulo 10.5 "Comprobar freno de cadena"

#### ADVERTENCIA

#### ¡PELIGRO DE RETROCESO!

Un freno de cadena que no funcione aumenta el riesgo de retroceso.

Compruebe regularmente el freno de cadena.

La correcta funcionalidad del freno de cadena es imprescindible para su seguridad.

### 13.9 Tense y compruebe la cadena de sierra (1).

Véase el capítulo 9.2 "Comprobar y tensar la cadena de sierra (1)"

### 13.10 Afile y mantenga la cadena de sierra (1)

#### ADVERTENCIA

#### ¡Peligro de lesión!

Póngase siempre use guantes de protección si va a tocar la cadena de sierra (1). ¡Peligro de lesiones por dientes de corte afilados!

### Nota

Una cadena de sierra (1) bien mantenida y afilada aligera la carga corporal y el desgaste, dando lugar a un buen resultado de corte.

Limpie, mantenga y afile con regularidad la cadena de sierra (1).



Controle regularmente que la cadena de sierra (1) no tenga roturas en los eslabones ni remaches dañados.

Se puede acoplar una amoladora de banco en la herramienta auxiliar de dicha amoladora para sujetarla de forma segura durante el amolado.

Utilice únicamente las limas redondas especiales para cadenas de sierra con un Ø de 4,8 mm (3/16") para la cadena de sierra incluida en el volumen de suministro (1).

Encontrará información detallada sobre el proceso de afilado en el juego de afilado.

Como alternativa, puede utilizar un afilador de cadenas eléctrico. Siga las instrucciones del fabricante.

En caso de duda sobre cómo realizar el trabajo, sustituya la cadena de sierra (1).

Encargue a un taller especializado el afilado de la cadena de sierra (1) si fuera necesario.

- Accesorios necesarios (no incluidos en el volumen de suministro):
  - Lima redonda para cadena de sierra Ø 4,8 mm (3/16")
  - Lima plana
  - Medidor de profundidad
- Para eliminar material, lime solo con un movimiento hacia delante.

- Lime con un ángulo de afilado de aprox. 25° con una inclinación de 10° con respecto al carril guía (2).
- Compruebe la distancia del limitador de profundidad con un medidor de profundidad.
- La distancia correcta del limitador de profundidad debe ser de 0,6 mm (0,024").

### 13.11 Intervalos de mantenimiento

Con el fin de conseguir una larga vida útil de la máquina, evitar cualquier tipo de daños y garantizar el pleno funcionamiento de los dispositivos de seguridad, se deberán efectuar con regularidad los trabajos de mantenimiento descritos a continuación. Las reclamaciones de garantía solo serán válidas si estos trabajos se ejecutan regularmente y del modo correcto. Su incumplimiento conlleva el riesgo de accidentes.

Los usuarios de motosierras solo deberán efectuar los trabajos de mantenimiento y cuidado descritos en este manual de instrucciones.

Cualquier otro trabajo adicional solo podrá efectuarlo un taller especializado.

General	Toda la sierra para poda de árboles	Limpier exteriormente y comprobar daños. En caso de daños, encargue de inmediato la reparación apropiada.
	Cadena de sierra	Afile con regularidad, cambie con la debida antelación.
	Freno de cadena	Encargar regularmente la comprobación a un taller especializado
	Carril guía	Darle la vuelta para que los rieles se desgasten uniformemente. Cambie con la debida antelación.
Antes de la puesta en marcha	Cadena de sierra	Compruebe daños y afilado. Controle la tensión de la cadena.
	Carril guía	Compruebe los daños.
	Lubricación de la cadena	Prueba de funcionamiento
	Freno de cadena	Prueba de funcionamiento
	Interruptor de conexión/desconexión, bloqueo de la palanca de aceleración, palanca de aceleración	Prueba de funcionamiento
	Tapones de los depósitos de combustible y aceite de cadena	Compruebe la estanqueidad.

A diario	Filtro de aire	Limpiar
	Carril guía	Comprobar su estado de deterioro, limpiar el orificio de entrada de aceite
	Asiento de la espada	Limpiar, especialmente la ranura de guiado de aceite
	Número de revoluciones en régimen de marcha al ralentí	Comprobar (la cadena no debe ser arrastrada)
Cada semana	Carcasa del ventilador	Limpiar para garantizar la conducción correcta de aire frío
	bujía de encendido	Comprobar, reemplazar si es necesario
	Silenciador	Comprobar si está obstruido
	Captor de cadena	Comprobar su estado de deterioro, cambiar si es necesario
	Tornillos y tuercas	Comprobar su estado y su ajuste firme
Cada tres meses	Cesto aspirante Depósitos de combustible y de aceite	Cambio Limpiar
Almacenamiento	Toda la sierra para poda de árboles	Limpiar exteriormente y comprobar si existen desperfectos En caso de percibir cualquier desperfecto, encargue de inmediato la reparación apropiada
	Cadena de sierra y espada	Desmontar, limpiar y lubricar ligeramente Limpie la ranura guía del carril guía
	Depósitos de combustible y de aceite	Vaciar y limpiar
	Carburador	Vaciar en marcha

### 13.12 Nota importante en caso reparación

En caso de devolución del aparato para su reparación, tenga en cuenta que, por razones de seguridad, este debe enviarse al taller de servicio técnico sin aceite ni gasolina.

### 13.13 Información sobre el servicio técnico

Hay que tener en cuenta que los siguientes componentes de este producto están sometidos a desgaste natural o por el uso o que se requieren los siguientes materiales de consumo.

Piezas de desgaste\*: Cadena de sierra, carril guía, aceite para cadenas, aceite de motor, tope de garras, dispositivo de retención de cadena, bujía de encendido, filtro de aire, filtro de combustible, filtro de aceite de cadena

\* ¡No se incluyen obligatoriamente en el volumen de suministro!

### Conjunto de corte autorizado

Cadena de sierra	
Kangxin 3/8LP-40.....	7910100739
Oregon 91P040X.....	3910102032
Carril guía	
Kangxin AP10-40-509P.....	7910100740
Oregon 100SDEA041.....	7910100744

### 14. Almacenamiento

La llave de bujías de encendido/el destornillador para tornillos de cabeza ranurada (20) se puede colocar en el costado de la cubierta del carril guía (21) para su conservación.

Utilice siempre la cubierta del carril guía (21) durante el almacenamiento.

Limpie y realice el mantenimiento del aparato antes de cada almacenamiento, véase el capítulo "Limpieza y mantenimiento". Vacíe por completo el depósito de aceite o combustible.

### ADVERTENCIA

No retire la gasolina en espacios cerrados, en las proximidades del fuego o al fumar. Los vapores de gas pueden ocasionar explosiones o fuego.

- Arranque el motor y déjelo en marcha hasta que se consuma el resto de la gasolina.

Almacene el aparato y sus accesorios en un lugar oscuro, seco y sin riesgo de heladas que no esté al alcance de los niños. El rango de temperatura de almacenamiento es de 5 a 30°C. Con temperaturas inferiores a 0 °C, guarde la motosierra y no trabaje con ella.

Nunca guarde una motosierra más de 30 días sin antes realizar las operaciones descritas a continuación.

¡Siga las indicaciones de mantenimiento y limpieza antes de almacenar el equipo!

### 14.1 Guardar la motosierra

Para guardar una motosierra más de 30 días, debe prepararla previamente. De lo contrario, el combustible que quede en el carburador se evaporará y dejará un sedimento gomoso. Esto podría dificultar el arranque y ocasionar costosas reparaciones.

1. Levante lentamente el tapón del depósito de combustible (13) para purgar la posible presión del depósito. Vacíe cuidadosamente el depósito.
2. Para vaciar de combustible el carburador, arranque el motor y déjelo en marcha hasta que la motosierra se pare.
3. Deje enfriar el motor (aprox. 5 minutos).
4. Retire la bujía de encendido (34).
5. Introduzca 1 cucharilla de aceite limpio para motores de 2 tiempos en la cámara de combustión. Tire varias veces despacio del cable de arranque (8) para recubrir los componentes internos. Vuelva a montar la bujía de encendido (34).

Guarde la motosierra en un lugar seco y alejado de posibles fuentes de ignición, p. ej., hornos, calentadores de agua que funcionen con gas, secadoras de gas, etc., fuera del alcance de los niños.

Ponga siempre la cubierta del carril guía (21) si no va a desmontar la cadena de sierra (1) ni el carril guía (2).

### 14.2 Nueva puesta en funcionamiento de la motosierra

1. Retire la bujía de encendido (34).
2. Tire rápidamente del cable de arranque (8) para extraer de la cámara de combustión el aceite sobrante.
3. Limpie la bujía de encendido (34) y compruebe que entre sus electrodos haya la distancia correcta respecto a la bujía de encendido (34), o bien ponga una bujía (34) nueva con la distancia entre electrodos correcta.
4. Prepare la motosierra para el funcionamiento.
5. Llene el depósito con la mezcla de aceite/combustible correcta (1:40).

### 14.3 Almacenamiento de combustible

La capacidad de almacenar combustibles es limitada. El combustible y las mezclas de combustible pueden cambiar debido a la evaporación, en particular si están sometidos a temperaturas altas. El combustible y las mezclas de combustible superpuestas pueden acarrear problemas de arranque y daños al motor. Compre solamente la cantidad de combustible que vaya a utilizarse durante unos meses. En caso de altas temperaturas, utilizar el combustible mezclado en un plazo de 6-8 semanas.

**¡Almacenar el combustible únicamente en recipientes permitidos y en un lugar seco, fresco y seguro!**

### ADVERTENCIA

**Evite el contacto con la piel y los ojos.**

Los productos de aceite mineral, también los aceites, desengrasan la piel. El contacto repetido y prolongado seca la piel. Como resultado, pueden surgir diversos trastornos de la piel. También es posible que surjan reacciones alérgicas.

El contacto de los ojos con el aceite provoca irritaciones. En caso de contacto con los ojos, limpiar inmediatamente el ojo afectado con agua limpia. ¡Si la irritación continúa, consultar inmediatamente con un médico!

## 15. Eliminación y reciclaje

### Notas sobre el embalaje



Los materiales de embalaje son reciclables. Deseche los embalajes de forma respetuosa con el medio ambiente.

**En su ayuntamiento o administración municipal podrá obtener información sobre las distintas opciones de eliminación de un aparato fuera de uso.**

## Combustibles y aceites

- ¡Antes de desechar el aparato, se deben vaciar el depósito de combustible y el depósito de aceite del motor!
- ¡El combustible y el aceite de motor no deben tirarse a la basura ni a los desagües domésticos, sino que deben recogerse y eliminarse por separado!

- Los depósitos de aceite y combustible vacíos deben desecharse de forma respetuosa con el medio ambiente.

Avería	Causa posible	Solución
El motor no arranca, o arranca pero no sigue en marcha.	Secuencia de arranque incorrecta.	Observe las instrucciones de este manual.
	La mezcla del carburador está mal ajustada.	Encargue a un técnico autorizado del servicio posventa que ajuste el carburador.
	La bujía tiene hollín.	Limpie/ajuste la bujía, o cámbiela.
	El filtro de combustible está obstruido.	Cambie el filtro de combustible.
El motor arranca, pero no funciona a pleno gas.	El filtro de aire está sucio.	Quite el filtro, límpielo y vuélvalo a poner.
	La mezcla del carburador está mal ajustada.	Encargue a un técnico autorizado del servicio posventa que ajuste el carburador.
El motor funciona irregularmente.	La mezcla del carburador está mal ajustada.	Encargue a un técnico autorizado del servicio posventa que ajuste el carburador.
Ausencia de potencia bajo carga	La bujía está mal ajustada.	Limpie/ajuste la bujía, o cámbiela.
El motor funciona a sacudidas.	La mezcla del carburador está mal ajustada.	Encargue a un técnico autorizado del servicio posventa que ajuste el carburador.
Sale demasiado humo.	La mezcla de combustible no es correcta.	Use la mezcla de combustible correcta (proporción: 1:40).
Ausencia de potencia bajo carga	La cadena está roma o floja	Afile la cadena o coloque una cadena nueva. Tense la cadena.
El motor se cala.	Depósito de gasolina vacío o filtro de combustible mal posicionado en el depósito	Llene el depósito de gasolina. Llene totalmente el depósito de gasolina o cambie la posición del filtro de combustible en el depósito de gasolina.
Lubricación insuficiente de la cadena (la espada y la cadena se calientan)	Depósito de aceite para cadenas vacío	Llene el depósito de aceite para cadenas.
	La abertura de paso de aceite está obstruida.	Limpie el agujero de aceite de la espada. Limpie las acanaladuras de la espada.

## 17. Certificado de garantía

Estimado cliente,

Nuestros productos están sometidos a un estricto control de calidad. No obstante, lamentaríamos que este aparato dejara de funcionar correctamente, en tal caso, le rogamos que se dirija a nuestro servicio de atención al cliente en la dirección indicada en la parte inferior de la presente tarjeta de garantía. Con mucho gusto le atenderemos también telefónicamente en el número de servicio indicado a continuación. Para hacer válido el derecho de garantía, proceda de la siguiente forma:

- Estas condiciones de garantía regulan prestaciones de la garantía adicionales. Sus derechos legales a prestación de garantía no se ven afectados por la presente garantía. Nuestra prestación de garantía es gratuita para usted. La prestación de garantía se extiende exclusivamente a defectos ocasionados por fallos de material o de producción y está limitada a la reparación de los mismos o al cambio del aparato. Tenga en consideración que nuestro aparato no está indicado para un uso comercial, en taller o industrial. Por lo tanto, no procederá un contrato de garantía cuando se utilice el aparato en zonas industriales, comerciales o talleres, así como actividades similares. De nuestra garantía se excluye cualquier otro tipo de prestación adicional por daños ocasionados por el transporte, daños ocasionados por la no observancia de las instrucciones de montaje o por una instalación no profesional, no observancia de las instrucciones de uso (como, p. ej., conexión a una tensión de red o corriente no indicada), aplicaciones impropias o indebidas (como, p. ej., sobrecarga del aparato o uso de herramientas o accesorios no homologados), no observancia de las disposiciones de mantenimiento y seguridad, introducción de cuerpos extraños en el aparato (como, p. ej., arena, piedras o polvo), uso violento o influencias externa (como, p. ej., daños por caídas), así como por el desgaste habitual por el uso.

El derecho a garantía pierde su validez cuando ya se hayan realizado intervenciones en el aparato.

- El periodo de garantía es de 3 años y comienza en la fecha de la compra del aparato. El derecho de garantía debe hacerse válido, antes de finalizado el plazo de garantía, dentro de un periodo de dos semanas una vez detectado el defecto. El derecho de garantía vence una vez transcurrido el plazo de garantía. La reparación o cambio del aparato no conllevará ni una prolongación del plazo de garantía ni un nuevo plazo de garantía ni para el aparato ni para las piezas de repuesto montadas. Esto también se aplica en el caso de un servicio in situ.
- Para reclamar sus derechos de garantía, póngase en contacto con la dirección de servicio que aparece a continuación. Si la reclamación se encuentra dentro del periodo de garantía, pondremos a su disposición un impreso de devolución con el que podrá devolvernos su aparato defectuoso sin cargo alguno. Describa con la mayor precisión posible el motivo de la reclamación. Si nuestra prestación de garantía incluye el defecto aparecido en el aparato, recibirá de inmediato un aparato reparado o nuevo de vuelta.

Naturalmente, también solucionaremos los defectos del aparato que no se encuentren comprendidos o ya no se encuentren comprendidos en la garantía, en este caso contra reembolso de los costes. Para ello, envíe el aparato a nuestra dirección de servicio técnico.

### **Cliente Servicio (ES):**

00800 4003 4003  
(0,00 EUR/Min.)

### **Correo electrónico de servicio (ES):**

service.ES@scheppach.com

### **Dirección del servicio (ES):**

ISTEGA S.L.  
Ctra. De Cambre al Temple, 106 - A Barcala  
ES - 15660 Cambre (A Coruña)



En [www.lidl-service.com](http://www.lidl-service.com) puede descargar estos y muchos otros manuales, videotutoriales de productos y software de instalación.

El código QR le direcciona directamente a la página de servicio de Lidl ([www.lidl-service.com](http://www.lidl-service.com)) y puede abrir el manual de instrucciones introduciendo el número de artículo (IAN) 403506\_2204.



---

1.	Forklaring til symbolerne på maskinen .....	198
2.	Brugertips.....	199
3.	Indledning.....	200
4.	Produktbeskrivelse .....	200
5.	Leveringsomfang .....	201
6.	Tilsluttet brug .....	201
7.	Sikkerhedsforskrifter .....	201
8.	Tekniske data.....	206
9.	Før ibrugtagning.....	206
10.	Ibrugtagning .....	208
11.	Anvendelse .....	210
12.	Transport.....	212
13.	Rengøring og vedligeholdelse .....	213
14.	Opbevaring .....	216
15.	Bortskaffelse og genanvendelse .....	217
16.	Afhjælpning af fejl.....	217
17.	Garantibevis .....	218
18.	Ekspllosionstegning.....	398
19.	Overensstemmelseserklæring.....	400

## 1. Forklaring til symbolerne på maskinen

	Du skal læse, forstå og overholde alle advarselsinstrukser.		Læs hele anvisningen, inden du bruger maskinen.
	Advarsel! Fare for kast. Tag dig i agt for tilbageslag fra kædesaven, og undgå kontakt med skinnespidsen.		Brug ikke apparatet, når det regner eller under fugtige betingelser.
	Brug beskyttelsesbriller. Brug høreværn.		Benyt hjelm.
	Brug altid sikkerheds- og antivibrationshandsker, når du arbejder med maskinen.		Brug altid skridhæmmende sikkerhedssko med snitbeskyttelse, når du arbejder med maskinen.
	Det er vigtigt at bruge beskyttelse til fødder, ben, hænder og underarme.		Betjen altid kædesaven med begge hænder. Du må ikke arbejde alene med kædesaven.
	Pas på! Brug af kædesav i kombination med tovklatreteknik. Gør dig fortrolig med alle arbejdsanvisninger, før du går i gang med arbejdet!		Åben ild er forbudt i arbejdsområdet!
	Påfyldningsåbning til brændstof. Olie- og brændstofblanding 1:40		Omløbsretning
	Olietankdæksel for kædeolie		Indstilling af kædebremsen: Hvid pil: Kædebremse inaktiv Sort pil: Kædebremse aktiv
	Startarm (choker)		Kædebremse løsnes
	Aktiver kædebremse		Savkædens indbygningsretning
	Indstilling af kædesmøring		Maskinens garanterede lydeffektniveau.



	<p>Pas på! Varme dele.</p>	 <p>push primer 6 times</p> <p>Tryk 6 gange på brændstofpumpen (primer).</p>
<p><b>FARE</b></p>	<p>Signalord til angivelse af en overhængende farlig situation, som, hvis den ikke undgås, vil medføre død eller alvorlig personskade.</p>	
<p><b>ADVARSEL</b></p>	<p>Signalord til angivelse af en potentielt farlig situation, som, hvis den ikke undgås, kan medføre død eller alvorlig personskade.</p>	
<p><b>FORSIGTIG</b></p>	<p>Signalord til angivelse af en potentielt farlig situation, som, hvis den ikke undgås, kan medføre mindre eller moderat personskade.</p>	
<p><b>BEMÆRK</b></p>	<p>Signalord til angivelse af en potentielt farlig situation, som, hvis den ikke undgås, kan medføre materielle skader på produktet eller ejendom/besiddelse.</p>	

## 2. Brugertips

### ADVARSEL:

Læs venligst hele vejledningen omhyggeligt igennem, inden du bruger maskinen første gang, og følg altid sikkerhedsforskrifterne! Denne træbeskæringssav må kun betjenes af "førere af træbeskærings-sav med supplerende uddannelse i arbejde fra løfte- eller stigekurve og/eller med tovklatreteknik"!

Opbevar betjeningsvejledningen omhyggeligt!

### Bemærk:

Vær opmærksom på, at nogle nationale forskrifter kan indskrænke brugen af maskinen.



Denne træbeskæringsav er specielt designet til træbeskæring og trækirurgi. Alt arbejde med træbeskærings-sav er specielt designet til træbeskæring og trækirurgi. Alt arbejde med denne træbeskæringsav må kun udføres af uddannede førere af træbeskærings-sav!

### 3. Indledning

#### PRODUCENT:

**Schepach GmbH**

Günzburger Straße 69

D-89335 Ichenhausen

#### KÆRE KUNDE

Vi ønsker dig rigtig god fornøjelse og held og lykke med arbejdet med dit nye apparat.

#### BEMÆRK:

Iht. den gældende lov om produktansvar hæfter producenten af denne maskine ikke for skader, der opstår på eller i forbindelse med denne maskine i forbindelse med:

- forkert behandling
- manglende overholdelse af betjeningsvejledningen
- reparationer gennemført af tredjemand og/eller af ikke autoriserede fagfolk
- indbygning og udskiftning af ikke originale reservedele
- ikke-tilsigtet brug.

#### Vær opmærksom på følgende:

Læs hele brugsanvisningens tekst igennem før montering og før ibrugtagning.

Formålet med denne brugsanvisning er at gøre det lettere for dig at lære apparatet at kende og benytte det som tilsigtet.

Brugsanvisningen indeholder vigtige oplysninger om, hvordan man bruger apparatet sikkert, professionelt og økonomisk, og hvordan man undgår farer, sparer reparationsomkostninger, reducerer driftsstop og øger apparatets driftssikkerhed og levetid.

Udover sikkerhedsbestemmelserne i denne brugsanvisning skal de forskrifter vedr. brug af apparatet, der måtte gælde i det enkelte land (brugslandet), overholdes til punkt og prikke.

Opbevar brugsanvisningen i nærheden apparatet; pak den ind i en plastikpose, så den er beskyttet mod snavs og fugt.

Den skal læses og overholdes nøje af alle betjeningspersoner, før arbejdet startes.

Arbejde på apparatet på kun udføres af personer, der er instrueret i brug af apparatet, og som er informeret om de dermed forbundne farer. Den lovmæssige mindstealder skal overholdes.

Ud over sikkerhedsanvisningerne i denne brugsanvisning og de særlige forskrifter, der gælder i brugslandet, skal de almindeligt anerkendte, tekniske regler, der gælder i forbindelse med brug af træbearbejdningsmaskiner, overholdes.

Vi fraskriver os ethvert ansvar for uheld eller skader, der måtte opstå som følge af manglende overholdelse af denne vejledning og sikkerhedsinstruktionerne.

### 4. Produktbeskrivelse

1. Savkæde
2. Styreskinne
3. Forreste håndbeskyttelse
4. Brændstofpumpe "primer"
5. Gashåndtag
6. Bageste støttегreb
7. Spærreknop til gasregulator
8. Startsnoretræk
9. Luffilterafdækning
10. Lukning for luffilterafdækningen
11. Kædeolietank-lukning
12. Forreste håndtag
13. Brændstofftank-lukning
14. Startarm (choker)
15. Tænd/Sluk-knop
16. Fastgørelsesmøtrikker
17. Kædehjulafdækning
18. Lyddæmper
19. Ophængsordination
20. Tændrørnsøgle / kærvskruetrækker
21. Sværdbeskytter
22. Blandingsbeholder
23. Kædestrammeskruer
24. Barkstøtte
25. Kædefanger
26. Kædestrammestift
27. Kædehjul
28. Føringsrille
29. Fastgørelsesbolt
30. Tandhjul
31. Smøråbning
32. Oliereguleringskruer
33. Luffilter
34. Tændrør
35. Tændrørstik
36. Sugehoved

## 5. Leveringsomfang

- Træbeskæringssav
- Savkæde
- Styreskinne
- Sværdbeskytter
- Tændrørsgnagle / kærvskruetrækker
- Blandingsbeholder

## 6. Tilsigtet brug

Dette apparat er en særdeles let, praktisk træbeskæringssav med ovenliggende håndtag. Træbeskæringssaven er udviklet specielt til trækirurgi og træbeskæring. Derfor må disse træbeskæringssave kun betjenes af "førere af træbeskæringssave med supplerende uddannelse i arbejde fra løfte- eller stigekurve og/eller med tovklatreteknik".

Til lejlighedsvis brug til tyndt træ, beskæring af frugttræer, afgrening og afkortning.

Forarbejdning af brænde må kun udføres, så længe træets diameter ikke overstiger snitlængden (20 cm).

Til sådanne arbejdsopgaver anbefaler vi en traditionel motorsav med lang grebsafstand eller snitlængde.

Følgende personer må ikke anvende enheden:

Personer, der ikke er fortrolige med betjeningsvejledningen, børn under 16 år samt personer, der er påvirket af alkohol, narkotika eller medicin, samt som er trætte eller syge.

Maskinen er udelukkende beregnet til at save i træ. Producenten er ikke ansvarlig for skader, der er opstået ved ikke-formålsbestemt anvendelse eller forkert betjening.

Apparatet må kun bruges som tilsigtet. Enhver anden form for brug falder uden for den korrekte anvendelse. Brugeren, ikke producenten, bærer ansvaret for materielle skader eller personskader af enhver art, der måtte opstå som følge heraf.

Tilsigtet anvendelse omfatter også overholdelse af sikkerhedsanvisningerne og monteringsvejledningen samt driftsanvisningerne i betjeningsvejledningen.

Personer, der betjener og vedligeholder apparatet, skal være fortrolige med denne og være informeret om mulige farer.

Derudover skal de gældende uheldsforebyggende forskrifter overholdes meget nøje.

Andre, generelle regler inden for arbejdsmedicinske og sikkerhedstekniske områder skal overholdes.

Hvis der foretages ændringer ved apparatet, bortfalder producentens ansvar for deraf følgende skader.

Vær opmærksom på, at vores apparater ikke er konstrueret til erhvervs-mæssig, håndværksmæssig eller industriel brug. Vi fraskriver os ansvaret, hvis apparatet bruges i erhvervs-, håndværks- eller industrivirksomheder samt til lignende arbejde.

### FARE

Iht. den gældende lov om produktansvar hæfter producenten af denne maskine ikke for skader, der opstår på eller i forbindelse med denne maskine i forbindelse med:

- indbygning og udskiftning af ikke originale reservedele
- fjernelse eller ændring af sikkerhedskomponenter.

### 6.1 Ikke tilsigtet brug

- Dette apparat er ikke egnet til træfældning.
- Undlad at bruge styreskinnen som arm til at bevæge træstammer eller lignende.
- Savning af træ med en diameter over 20 cm er ikke tilladt.

## 7. Sikkerhedsforskrifter

### 7.1 Generelle bemærkninger

#### ADVARSEL

Vær altid opmærksom, vær agtpågivende på, hvad du gør, og brug altid sund fornuft under arbejdet med apparatet. Brug ikke apparatet, hvis du er træt eller påvirket af narkotika, alkohol eller medikamenter. Et øjebliklig uagtsomhed, mens apparatet bruges, kan føre til alvorlige personskader.

Undgå misbrug, benyt kun maskinen som beskrevet under "Tilsigtet brug".

Denne brugsanvisning indeholder vigtige oplysninger om, hvordan man kan arbejde sikkert og korrekt med kædesaven og kan undgå ulykker.

Hvis der på trods af dette skulle opstå en blokering mellem skærematerialet og savkæden, skal man straks slukke apparatet. Vent, indtil savkæden er helt stoppet. Fjern tændrørsgnagte, og ifør dig skærebestandige handsker for at fjerne blokeringen. Hvis styreskinnen (sværdet) skal fjernes, skal man følge anvisningerne i kapitlet "Montering". Efter fjernelse af blokeringen og genmontering skal der udføres en testkørsel. Hvis du bemærker vibrationer eller mekanisk støj, skal du ophøre med at arbejde og kontakte et autoriseret servicecenter.

Hvis denne fare opstår oftere, anbefaler vi, at du genuddanner dig.

- Læs venligst hele brugsanvisningen til apparatet inden ibrugtagning, og vær særligt opmærksom på sikkerhedsforskrifterne.
- Advarsels- og informationsskiltene, der er monteret på apparatet, giver vigtige oplysninger med henblik på sikker drift.
- Ud over oplysningerne i brugsanvisningen skal de gældende generelle sikkerheds- og ulykkesforebyggelsesregler overholdes.
- Emballagematerialer skal holdes på afstand af børn; kvælningsfare!
- Utilstrækkeligt informerede brugere kan udsættes sig selv og andre personer for fare på grund af forkert brug. Brugeren er ansvarlig over for tredjemand.
- Foretag funktionstest af gashåndtaget inden arbejdsstart. Dette skal automatisk returnere til neutral position, så snart det slippes.
- Undlad at arbejde i mere end 10 minutter ad gangen. Det tilrådes at holde pauser på 10-20 minutter mellem arbejdsgangene.
- Lån kun apparatet ud til brugere, der har erfaring med det. Husk at udlevere driftsvejledningen.
- Visse saveopgaver kræver særlig uddannelse og specielle færdigheder. Hvis man er i tvivl, skal man kontakte en fagmand.
- Førstegangsbrugere skal gennemgå undervisning for at blive fortrolige med enhedens funktioner. Af hensyn til din sikkerhed skal du gennemgå et offentligt kædesavkursus.
- Når apparatet ikke er i brug, skal det opbevares på en sådan måde, at ingen personer kan blive bragt i fare. Skal sikres mod adgang for uvedkommende.
- Brugeren af apparatet er ansvarlig for alle ulykker og færer, som kan skade andre personer eller deres ejendom.
- Børn, unge og mennesker med nedsatte fysiske, sensoriske eller mentale evner må ikke bruge kædesaven. Undtagelser udgøres af unge over 16 år som led i uddannelse under opsyn af en fagmand.
- Apparatets elektriske tændingssystem genererer et lavt elektromagnetisk felt. Hvis du bruger pacemaker eller lignende implantater, skal du kontakte din læge, inden du bruger apparatet, for at undgå sundhedsrisici.
- Bemærk, at forkert udført vedligeholdelse, brug af ikke-kompatible reservedele eller fjernelse eller ændring af sikkerhedsanordninger kan resultere i skader på apparatet og forårsage alvorlige personskader for operatøren.

## 7.2 Personlige værnemidler (PPE)

### ▲ FARE

Bær altid personligt beskyttelsesudstyr (PPE) som f.eks. øjenbeskyttelse (visir eller beskyttelsesbriller), hoved-, hånd-, ben- og fodbeskyttelse, der er egnet til at klatre i træer!

- Benyt en hjelm med ansigtsværn og/eller beskyttelsesbriller og høreværn.
- Benyt tætsiddende beskyttelsestøj med et snitbeskyttelsesindlæg.
- Brug skridsikre sikkerhedssko.
- Brug beskyttelseshandsker.
- Undgå løstsiddende tøj, som kan blive indfanget.
- Bær ikke tørklæde, slips og smykker!
- Ved langt hår skal der benyttes hårnet!
- Brug altid hjelm, når der arbejdes i skoven. Denne beskytter mod nedfaldende grene. Kontrollér hjelmen for skader med jævne mellemrum. Det skal udskiftes senest efter 5 år. Brug kun godkendte hjelme.
- Ansigtssværn og/eller beskyttelsesbriller holder savspåner og træsplinter væk. For at undgå øjenskader skal der altid bruges ansigtssværn og/eller beskyttelsesbriller under arbejdet med apparatet.
- Brug altid høreværn. Støjen fra apparatet kan medføre høreskader.
- Benyt robuste beskyttelseshandsker af afstandsdygtigt materiale som f.eks. læder.
- Benyt støvmaske, når der saves i tørt træ. Der kan dannes savstøv.
- Når brugeren arbejder i træet, kan han falde ned. Brugeren kan blive alvorligt kvæstet eller dræbt. Bær udstyr til faldsikring.

## 7.3 Opbevaring og transport

- Inden hver transport skal kædesaven slukkes, også over korte afstande. Aktiver kædebremsen, og monter kædebeskyttelsen.
- Benyt kædebeskyttelsen ved transport og opbevaring.
- Under transport (også i køretøjer) skal maskinen sikres, så den ikke kan vælte, for at undgå tab af brændstof, skader eller personskader.
- Apparatet må kun bæres i det forreste håndtag. Styreskinen skal da vende bagud, væk fra kroppen.
- Sørg for at holde den varme lydæmper på afstand af kroppen. Fare for forbrænding!
- Kædesaven skal rengøres og vedligeholdes, inden den stilles til opbevaring.
- Opbevar apparatet på et sikkert og tørt sted. Den skal sikres mod uautoriseret adgang.

## 7.4 Sikkerhed for omgivelserne

- Nationale og/eller kommunale regler kan begrænse brugen af støjende, motordrevne apparater. Dette kan du få oplyst hos din kommune.
- Apparater må ikke bruges indendørs eller i andre dårligt oplyste områder. Der er risiko for kvælning pga. de giftige udstødningsgasser/smøreoliedampe.
- Der må kun arbejdes i dagslys.
- Undlad at arbejde under ugunstige vejrforhold, f.eks. regn eller vind. Der er forhøjet ulykkesrisiko.
- Hold altid arbejdsområdet rent og ryddeligt.
- Hold børn og andre personer og dyr på afstand under arbejdet. Hvis du bliver forstyrret, kan du miste kontrollen over apparatet.
- Inden påbegyndelse af arbejdet skal man sikre sig, at der hverken er personer, dyr eller realværdier i farezonen.
- Undlad at arbejde i nærheden af ståltrådshegn eller i områder med løst skrottråd.
- Hav brandslukningsudstyr parat, hvis du befinder dig i et meget brandfarligt miljø, f.eks. ved arbejde i tørt græs osv. Brandfare!

## 7.5 Påfyld brændstof

- Benzin er ekstremt let-antændeligt. Tankning skal ske på afstand af åben ild, og der må ikke ryges imens. Brandfare!
- Pas på ikke at spilde benzin. Benzin eller kædeolie må ikke trænge ned i jorden. Benyt passende underlag.
- Der må kun tankes i områder med god ventilation. Benzindampe kan let blive antændt eller eksplodere.
- Sluk motoren inden tankningen, og lad apparatet køle af. Hvis der spildes benzin, skal man straks rengøre det pågældende sted. Sørg også for ikke at få brændstof på tøjet, da du ellers er nødt til at skifte det.
- Undgå hud- og øjenkontakt med benzin eller smøremidler (olie).
- Undgå at indånde benzindampe/smøreoliedampe.
- Vær opmærksom på utætheder. Motoren må ikke startes, hvis der løber benzin ud. Fare for forbrænding.
- Åbn kun tanklukningen forsigtigt, så evt. overtryk kan undviges, og så der ikke sprøjter benzin ud.

## 7.6 Før ibrugtagning

### ADVARSEL

Foretag altid inspektioner inden ibrugtagningen og med motoren slukket.

Kontroller apparatet inden hver brug, og efter at det er faldet på jorden for at sikre, at det er i driftssikker tilstand.

Forvis dig om, at alle bevægelige dele fungerer upåklageligt. Mange ulykker skyldes dårligt vedligeholdte værktøjer. Få beskadigede dele repareret af kvalificerede fagfolk.

Brug kun kædesaven og tilbehøret i henhold til disse anvisninger. Tag hensyn til arbejdsvilkårene og den aktivitet, der skal udføres. Brug af motorværktøjer til andre formål end de tilsigtede kan medføre farlige situationer.

- Kontrollér med jævne mellemrum kædebremstens funktionalitet (forreste håndbeskyttelse, se fig. 2).
- Kontrollér, om styreskinnen er monteret rigtigt.
- Kontrollér, om savkæden er strammet korrekt. Følg anvisningerne for smøring, kædestramning og udskiftning af tilbehør. En forkert spændt eller smurt kæde kan enten bryde eller øge risikoen for tilbageslag.
- Hold skæreværktøj skarpt og rent. Foretag opslibning med jævne mellemrum, og udskift slidte dele i tide. Omhyggeligt plejet skæreværktøj med skarpe skærekanter sætter sig mindre hyppigt fast og er lettere at føre.
- Kontrollér, at gashåndtaget og spærreknappen til gasregulatoren går let og ubesværet. Gashåndtaget skal fjedre tilbage i udgangsposition.
- Kontrollér, om der er tilstrækkeligt brændstof og kædesmøreolie i tanken.
- Kontrollér, om håndtagene er rene, tørre og fri for olie og snavs.
- Dette arbejde må du aldrig udføre alene. Der skal altid være en person i nærheden, hvis der skulle opstå en nødsituation.
- Brug kun kædesaven, når du står på et fast, sikkert og jævnt underlag. Undgå unormale kropsholdninger. Et smattet underlag eller ustabile flader som (f.eks. på en stige) kan bevirke, at du mister balancen eller kontrollen over kædesaven. Sørg for at stå sikkert, og hold altid ligevægten. På denne måde kan du bedre kontrollere kædesaven i uventede situationer.
- Brug ikke kædesaven på et træ. Ved brug på et træ er der risiko for personskade.
- Sav aldrig over skulderhøjde.
- Hold altid kædesaven med højre hånd i det bageste greb og med venstre hånd i det forreste greb. Hvis kædesaven holdes omvendt, øges risikoen for tilskadekomst, så saven må ikke holdes sådan.
- Når kædesaven er tændt, skal alle kropsdele pege væk fra savkæden. Sørg for, at savkæden ikke rører ved objekter, inden du starter kædesaven. Når du arbejder med en kædesav, kan et øjeblikvis uopmærksomhed medføre, at tøj eller kropsdele gribes af savkæden.

- Sluk straks kædesaven, hvis du bemærker bemærkelsesværdige ændringer i apparatets adfærd.
- Hvis kædesaven kommer i kontakt med sten, søm eller andre hårde genstande, skal du straks stoppe motoren og kontrollere savkæden og styreskinnen for skader.
- Undlad at lade kædesaven falde ned, slå den ikke mod forhindringer, og brug ikke styreskinnen som arm.
- Kædesaven må kun benyttes til skæring i træ.
- Når du saver i en gren, der står under spænding, skal du regne med, at den svinger tilbage. Når spændingen i træets fibre udløses, kan en fastspændt gren ramme brugeren, og/eller kædesaven kan komme ud af kontrol.
- At skære i krat og unge træer kræver særlig forsigtighed. Det tynde materiale kan sætte sig fast i savkæden og svinge imod dig eller få dig til at miste balancen.

## 7.7 Vibrationer

### ⚠ ADVARSEL

Undgå vibrationsrisici, f.eks. risiko for "hvide fingre" (kredsløbsforstyrrelser) ved hjælp af hyppige arbejdspauser, hvor du f.eks. gnider håndfladerne mod hinanden.

- Benyt altid beskyttelseshandsker, og sørg for at have varme hænder.
- Kontrollér, at kæden altid er skarp.
- Hold pauser med jævne mellemrum.

## 7.8 Forsigtighedsforanstaltninger mod tilbageslag

### ⚠ ADVARSEL

Vær opmærksom på tilbageslag under arbejdet med apparatet. Fare for personskade. Man undgår tilbageslag via forsigtig og korrekt saveteknik.

- En berøring med skinnespidsen kan nogle gange medføre en uventet bagudrettet reaktion, hvor styreskinnen slås opad og ind mod brugeren.
- Der kan opstå tilbageslag, hvis spidsen af styreskinnen rører ved en genstand, eller hvis træet bøjer sig, og savkæden sætter sig fast i snittet.
- Hvis savkæden fastklemmes ved styreskinnens overkant, kan kædesaven støde hurtigt og ukontrolleret tilbage i retning mod brugeren.
- Hvis savkæden fastklemmes ved styreskinnens underkant, kan kædesaven hurtigt og ukontrolleret trække sig tilbage i retning væk fra brugeren.

- Vær ekstremt forsigtig, når du indsætter kædesaven i et allerede påbegyndt snit for at fortsætte savningen.
- Undlad at save i grene eller træstykker, der kan ændre deres position under saveprocessen, eller hvor snittet lukker sig under saveprocessen.
- Enhver af disse reaktioner kan bidrage til, at du mister kontrollen over saven og eventuelt får alvorlige personskader. Stol ikke udelukkende på sikkerhedsanordningerne i kædesaven. Som bruger af en kædesav skal du træffe diverse foranstaltninger, så du kan arbejde uden at komme ud for ulykker og personskader.

Et tilbageslag er konsekvensen af forkert eller fejlagtig brug. Det kan forhindres ved bestemte forholdsregler, som er beskrevet nedenfor:

- Hold saven fast med begge hænder, så tommelfingeren og de andre fingre omslutter kædesavens greb. Din krop og dine arme skal være i en sådan position, at de kan modstå kræfterne ved kast. Hvis der træffes egnede foranstaltninger, kan brugeren modstå tilbageslagskræfterne. Giv aldrig slip på kædesaven.
- Undgå en unormal kropsholdning, og skær ikke over skulderhøjde. Derved undgår du utilsigtet berøring med skinnespidsen, og du får bedre kontrol over kædesaven i uventede situationer.
- Brug kun reserveskiner og savkæder, der er foreskrevet af producenten. Forkerte reserveskiner og savkæder kan medføre tilbageslag, og/eller at savkæden bryder.
- Overhold producentens anvisninger omkring filing og vedligeholdelse af savkæden. For lave dybdebegrænsere øger tendensen til tilbageslag.
- Undlad at save med spidsen af sværdet. Fare for tilbageslag. (fig. 7)
- Sørg for, at der ikke er søm eller metalstykker i skæreområdet. Vær særligt opmærksom på søm eller jernstykker omkring skæreområdet. Vær også forsigtig, når du saver i hårdt træ, hvor kæden kan sætte sig fast. Herved kan der ske tilbageslag.
- Start snittet med fuld kraft, og hold altid kædesaven kørende med maks. hastighed under savningen.
- Sørg for, at der ikke findes genstande på jorden, som du kan snuble over.

## 7.9 Arbejdsadfærd og -teknik

- Arbejd kun under gode sigt- og lysforhold. Vær særlig opmærksom ifm. glathed, fugt/regn, is og sne (glidefare). Øget glidefare findes på frisk skrælet træ (bark).

- Arbejd aldrig på ustabil undergrund. Vær opmærksom på forhindringer i arbejdsområdet, f.eks. at snuble. Vær hele opmærksom på, at du står sikkert og stabilt.
- Sav aldrig over skulderhøjde.
- Sav aldrig, når du står på en stige.
- Stig aldrig op i træet med kædesaven for at udføre arbejde, hvis du ikke er udstyret med passende selesystem for menneske og maskine. Det anbefales altid at udføre arbejdet ud fra en arbejdsplatform.
- Bøj dig ikke alt for meget fremover, når du arbejder.
- Før kædesaven på en sådan måde, at ingen kroksdele befinder sig i savkædens forlængede drejeområde.
- Brug kun kædesaven til at save i træ.
- Berør ikke jorden med den igangværende savkæde.
- Rengør området omkring snittet for fremmedlegemer som f.eks. sand, sten, søm osv. Fremmedlegemer beskadiger saveanordningen og kan føre til farlige tilbageslag (kick-back) og blive slynget væk.
- Brug et sikkert underlag til at save opskåret tømmer (helst en savbuk). Træet må ikke holdes fast med foden eller af en yderligere person.
- Rundtømmer skal sikres, så det ikke kan rotere under snittet.
- Der må aldrig arbejdes uden barkstøtte; kædesaven kan rive operatøren fremad. Brug barkstøtten ved savning i træstammer eller tykke grene. Brug af barkstøtten øger arbejdsikkerheden, reducerer personlig belastning under arbejdet, ligesom vibrationer formindskes.
- Til fælde- og afkortningssnit skal takstykket (kloanslag) anbringes på træet, der skal saves i. Det anbefales også at bruge takstykket, når tykke grene skal saves igennem.
- Anbring takstykket fast før ethvert afkortningssnit, sav først herefter i træet med igangværende savkæde. Saven trækkes op med det bageste greb og føres med bøjlegrebet. Takstykket fungerer som drejepunkt. Der flyttes med et let tryk på bøjlegrebet. Træk da kædesaven en smule tilbage. Anbring takstykket noget lavere og træk det bageste greb op igen.
- Vær forsigtig, hvis der saves i splintret træ. Afsavede træstykker kan rives med (fare for tilskadekomst).
- Kædesaven kan blive stødt ind mod brugeren, når der saves med skinneoversiden, hvis savkæden sætter sig fast. Derfor skal der helst saves med skinneundersiden, da kædesaven derved trækkes væk fra kroppen og ind mod træet.
- Er træ under spænding, skal der altid først saves ind på tryksiden. Først herefter kan skillesnittet gennemføres på træksiden. På den måde undgås det, at skinnen kommer i klemme.

- Når der arbejdes oppe i træet, kan motorsaven falde ned. Personer kan komme alvorligt til skade, og der kan ske materielle skader. Motorsaven skal sikres med ophængs-anordningen.
- Før savkæden føres i snitområdet, kan kædesaven glide ud til siden eller komme til at springe.

## PAS PÅ

### Øget fare for tilbageslag!

For at have fuldstændig kontrol over "gennemsavningen" skal modtrykket reduceres, når snittet er ved at være færdigt, uden at det faste greb omkring kædesavens håndgreb løsnes. Kontrollér, at savkæden ikke berører jorden. Når du er færdig med snittet, skal du vente, til savkæden er helt standset, før du fjerner kædesaven. Stop altid kædesavens motor, før du skifter fra træ til træ.

## ADVARSEL

På grund af vibrationerne kan længere tids brug medføre dårligt blodomløb i hænderne hos brugeren (Raynauds syndrom).

Raynauds syndrom er en sygdom i blodkarrene, hvor blodkarrene i fingre og tæer pludseligt krampes sammen. De pågældende områder forsynes ikke tilstrækkeligt med blod og ser derfor ekstremt blege ud. Hyppig brug af vibrerende maskiner kan ved personer med nedsat blodomløb (f.eks. rygere, diabetikere) medføre ødelæggelse af nervebanerne. Hvis du observerer usædvanlig nedsat funktion, indstil straks arbejdet, og opsig læge.

Overhold følgende anvisninger for at reducere faren:

- Hold kroppen og navnlig hænderne varme, hvis det er koldt udenfor.
- Hold regelmæssige pauser, og bevæg hænderne for at sætte gang i blodomløbet.
- Sørg for minimal vibration ved regelmæssigt at vedligeholde maskinen og dens faste dele.

## 7.10 Restrisici

### FARE

#### FARE FOR KVÆSTELSER!

Kontakt med savkæden kan medføre livsfarlige snitsår. Grib aldrig ind i savkæden, mens den er i drift.

#### FARE FOR KAST!

Kast kan medføre livsfarlige snitsår.

## FARE FOR FORBRÆNDING!

Kæde og styreskinne bliver varme under driften.

**Apparatet er bygget efter det aktuelle tekniske niveau og de anerkendte sikkerhedstekniske regler. Alligevel kan der være tilbageværende risici under driften.**

Desuden kan der forefindes ikke-åbenbare tilbageværende risici, selv om alle foranstaltninger er truffet.

Tilbageværende risici kan reduceres til et minimum, hvis "Sikkerhedsanvisningerne" og "Brug i overensstemmelse med formålet" samt betjeningsvejledningen overholdes.

## 8. Tekniske data

Maskine uden sværd

Længde x Bredde x Højde	270 x 230 x 240 mm
Vægt utanket, uden skæreudstyr	ca. 3,4 kg
Vægt utanket, med skæreudstyr	ca. 3,8 kg
Tank til kædesmørelolie	0,16 l
Brændstoftank indhold	0,23 l
Olie- og brændstofblanding	1:40
Snitlængde	20 cm
Sværdlængde	30 cm
Automatisk kædeoliesmøring	ja
Kædedeling	3/8" (9,525 mm)
Kædedeledestykkelse	1,27 mm
Kædetype	3/8LP-40
Antal tænder drivkædehjul	6
Tanddeling drivkædehjul	3/8"
Sværdtype	AP10-40-509P
Kædehastighed maks.	21 m/s
Motor	1 cylinder 2 takt luftkølet
Motorcylindervolumen	25,4 cm <sup>3</sup>
Maks. motoreffekt iht. ISO 7293	0,7 kW
Omdrejningstal i tomgang n <sub>0</sub>	3300 ± 300 min <sup>-1</sup>
Maksimalt omdrejningstal med skæresæt	11000 min <sup>-1</sup>
Tændrør	L8RTC

**Lydtrykniveauet bør så vidt muligt reduceres til et niveau, der ikke påvirker brugerens sundhed, afhængigt af brugen og det arbejde, der skal udføres. Lydtrykniveauet på arbejdspladsen kan overstige 80 dB. I så fald er lydbeskyttelsesforanstaltninger obligatorisk (f.eks. hørevern).**

## Begræns støjudvikling og vibrationer til et minimum!

- Brug kun intakte og ubeskadigede produkter.
- Vedligehold og rengør produktet med jævne mellemrum.
- Tilpas arbejdsmåden efter produktet.
- Overbelast ikke produktet.
- Lad i givet fald produktet blive underkastet et eftersyn.
- Sluk produktet, når det ikke benyttes.
- Brug handsker.

Målt lydtrykniveau L <sub>PA</sub>	99,2 dB
Usikkerhed K <sub>PA</sub>	3 dB
Garanteret lydeffektniveau L <sub>WA</sub>	113 dB
Målt lydeffektniveau L <sub>WA</sub>	108,7 dB
Usikkerhed K <sub>WA</sub>	3 dB

Vibration, forreste håndtag	8,98 m/s <sup>2</sup>
Vibration, bagerste håndtag	8,03 m/s <sup>2</sup>
Usikkerhed	1,5 m/s <sup>2</sup>

### Brug hørevern.

Støjpåvirkning kan føre til høretab.

De angivne støjemissionsværdier er blevet målt iht. en standardiseret testproces og kan bruges til at sammenligne ét apparat med et andet.

De angivne støjemissionsværdier kan også bruges til at gennemføre en indledende vurdering af belastningen.

### Advarsel:

- Støjemissionsværdierne kan afvige fra den angivne værdi, når apparatet rent faktisk bruges, afhængigt af hvordan det bruges, og af, hvilken type emne der bearbejdes.
- Forsøg at holde belastningen så lav som mulig. Eksempelvis ved at begrænse arbejdstiden. I denne forbindelse skal der tages højde for alle dele af driftscyklussen (f.eks. tider, hvor apparatet er slukket, og tider, hvor det godt nok er tændt, men hvor det kører uden belastning).

## 9. Før ibrugtagning

1. Åbn emballagen, og tag forsigtigt maskinen ud.
2. Fjern emballagematerialet samt emballage- og transportsikringer (hvis sådanne findes).
3. Kontrollér, om leveringsomfanget er fuldstændigt.
4. Kontrollér maskinen og tilbehørsdelene for transportskader.
5. Opbevar så vidt muligt emballagen frem til udløbet af garantiperioden.
6. Fjern lynguiden fra startsnoretrækket (8).



## PAS PÅ

Apparatet og emballeringsmaterialet er ikke legetøj! Børn må ikke lege med plastposer, folie og smådele! Fare for slugning og kvælning!

### 9.1 Montering af styreskinne (2) og savkæde (1)

#### ADVARSEL

##### Fare for tilskadekomst!

Benyt altid beskyttelseshandsker, når du rører ved savkæden (1). Fare for personskade pga. skarpe tænder!

Brug kun godkendte kombinationer af savkæde (1) og styreskinne (2) (se kapitel "Godkendt skæredstyr").

Foretag altid monteringen med motoren slukket.

##### Bemærk

En ny savkæde (1) udvider sig og skal efterstrammes ofte. Kontrollér kædestramningen med jævne mellemrum, og foretag justering efter behov.

Afhængig af slidet kan styreskinne (2) vendes.

1. Stil kædesaven på et plant, stabilt underlag.
2. Træk den forreste håndbeskyttelse (3) helt tilbage til anslag for at løsne kædebremsen. (fig. 2)
3. Fjern begge fastgørelsesmøtrikker (16) med tændrørsnøglen (20).
4. Tag kædehjulafdækningen (17) af.
5. Drej kædestrammeskruen (23) venstre (til venstre), til kædestrammestift (26) står ved højre anslag (fig. 3). Dette gøres ved hjælp af kærvskruetrækkeren (20).
6. Skub styreskinne (2) langhul hen over de to udragen- de fastgørelsesbolte (29).
7. Læg savkæden (1) på kædehjulets (27) fortanding. Indfør savkæden (1) præcist i den retning, der er angivet på styreskinne (2). I spidsen af styreskinne (2) er der et tandhjul (30), i hvis fortanding savkæden (1) skal ind- sættes. (fig. 6 og 18)
8. Træk en smule i styreskinne (2) for at forstramme sav- kæden (1) en smule.
9. Sæt kædehjulafdækningen (17) på igen. Sørg for, at den indvendige kædestrammestift (26) passer i den pas- sende boring i styreskinne (2). Juster evt. kædestram- meskruen (23) med kærvskruetrækkeren (20).
10. Skru begge fastgørelsesmøtrikker (16) på med hånden. Vær opmærksom på, at disse endnu ikke skal spændes fast. Fastgørelsesmøtrikkerne (16) spændes først fast, når savkæden (1) er strammet.

### 9.2 Stramning og kontrol af savkæde (1)

#### ADVARSEL

Ifør dig beskyttelseshandsker! Fare for personskade pga. skarpe tænder!

Kontrollér kædestramningen med jævne mellemrum før hver ibrugtagning.

Udfør altid kontrollen, før du starter, og med motoren slukket.

1. Inden stramningen skal man løsne begge fastgørelses- møtrikker (16) en smule med tændrørsnøglen (20).
2. Drej kædestrammeskruen (23) med kærvskruetrække- ren (20) i urets retning for at øge stramningen.
3. Spænd begge fastgørelsesmøtrikker (16) fast med tændrørsnøglen (20).
4. Savkæden (1) skal ligge an mod sværdets underside. Kontrollér, om savkæden (1) kan trækkes manuelt ind over styreskinne (2) (med kædebremsen løst net trækker man den forreste håndbeskyttelse (3) bagud).

##### BEMÆRK

En ny savkæde (1) udvider sig og skal efterstrammes ofte.

### 9.3 Blanding af brændstof

Motoren skal drives af en brændstofblanding bestående af benzin og motorolie.

#### ADVARSEL

Undgå direkte hudkontakt med brændstof og indånding af brændstoffdampe.

Brug kun en blanding af blyfri benzin (min. 95 RON) og spe- ciel 2-takts-motorolie (JASO FD/ISO - L - EGD). Bland brænd- stofblandingen i henhold til brændstofblandingstabellen.

Kom den korrekte mængde benzin og 2-takts-olie i den med- følgende blandebeholder (22) (se "Brændstof-blandingsta- bel"). Ryst herefter blandingsbeholderen (22) grundigt.

#### 9.3.1 Brændstof-blandingstabel

**Blandingsmetode: 40 dele benzin blandes med 1 del olie**

**Benzin.....2-takt-olie**  
**0,5 liter ..... 12,5 ml**

## 9.4 Påfyldning af brændstof (fig. 8)

### ⚠ ADVARSEL

Påfyld kun brændstof, når motoren er slukket og afkølet. Brandfare!

1. Rengør altid området omkring tanklukningen (13) inden påfyldning for at forhindre, at der kommer snavs ned i brændstoftanken. Dette gøres med en tør, fnugfri klud.
2. Læg apparatet på siden, så brændstof-lukningen (13) vender opad.
3. Drej brændstoflukningen (13) imod urets retning, og åbn den. Brændstoflukningen (13) er forbundet med en tabsbeskyttelse i brændstoftanken og kan således ikke falde ned.
4. Fyld brændstofblandingen i brændstoftanken. Undgå at spilde brændstof under påfyldningen, og undlad at fylde brændstoftanken til randen.
5. Tør straks spildt brændstof op.
6. Drej brændstoflukningen (13) i urets retning for at lukke den til.

### BEMÆRK

Efter hver brændstofpåfyldning skal man også kontrollere kædeolien.

## 9.5 Aftapning af brændstof

**Tøm kun brændstoftanken udendørs eller i rum med god ventilation. Vær opmærksom på, at der ikke trænger brændstof ned i jorden (miljøbeskyttelse). Brug kun egnet underlag.**

1. Hold en opsamlingsbeholder ind under brændstoftanken.
2. Skru brændstoftankdækslet (13) af, og fjern det.
3. Lad al benzin-/olieblandingen løbe af.
4. Skru brændstoftankdækslet (13) fast igen med hånden.

## 9.6 Påfyldning af kædeolie (fig. 8)

### ⚠ ADVARSEL

Påfyld kun savkædeolie, når motoren er slukket og afkølet. Brandfare!

Arbejd aldrig uden kædesmøring! Hvis savkæden (1) løber tør, ødelægges skæreudstyret uopretteligt i løbet af kort tid. Inden påbegyndelse af arbejdet skal man altid kontrollere kædesmøringen.

### BEMÆRK

Brug kun savkædeolie. Fortrinvis biologisk nedbrydelig olie. Undlad brug af spildolie mv.

Under arbejdet skal man kontrollere, om kædesmøringen fungerer.

1. Rengør altid området omkring kædeolielukningen (11) inden påfyldning, så der ikke kommer smuds ned i kædeolietanken. Dette gøres med en tør, fnugfri klud.
2. Læg apparatet på siden, så kædeolie-lukningen (11) vender opad.
3. Drej kædeolie-lukningen (11) imod urets retning, og åbn den. Kædeolielukningen (11) er forbundet med en tabsbeskyttelse i kædeolietanken og kan således ikke falde ned.
4. Kom bio-kædeolie i kædeolietanken. Undgå at spilde kædeolie under tankningen, og undlad at fylde kædeolietanken til randen.
5. Tør straks spildt kædeolie op.
6. Drej kædeolielukningen (11) i urets retning for at lukke den til.

## 10. Ibrugtagning

### ⚠ FORSIGTIG

Overhold gældende lovgivning vedr. støjbeskyttelse.

Inden hver ibrugtagning af apparatet skal man kontrollere følgende:

- at drivmiddelsystemet er tæt;
- at beskyttelsesanordningerne og skæreanordningen er i fejlfri tilstand og intakte;
- at samtlige forskruninger sidder ordentligt fast;
- at alle dele går let og ubesværet.

### Arbejdsinstrukser

Sørg for at blive fortlørlig kædesaven inden ibrugtagningen.

## 10.1 Start af motor

### ⚠ PAS PÅ

Motoren skal fjernes mindst 3 meter fra tankningsstedet, før den startes (fig. 9).

Træk altid startsnoretrækket (8) lige ud. Hold fast i startsnoretrækkets greb (8), når startsnoretrækket (8) trækker sig ind igen. Lad aldrig startsnoretrækket (8) springe tilbage af sig selv.

Stil gashåndtaget (5), så snart motoren starter. Sørg for, at motoromdrejningstallet er faldet til tomgang, før du løsner kædebremsen (skub den forreste håndbeskyttelse (3) tilbage).

Der må kun trækkes koldstartarmen (chokeren) (14) i forbindelse med start.

### 10.1.1 Start af kold motor

#### ADVARSEL

Inden hver ibrugtagning skal man aktivere kædebremsen (pres forreste håndbeskyttelse (3) frem).

#### PAS PÅ

Lad aldrig startsnoretrækket (8) springe tilbage af sig selv. Dette kan medføre skader.

1. Fjern styreskinnens (21) afdækning.
2. Stil kædesaven på et stabilt og plant underlag. Savkæden (1) må da ikke røre ved jorden.
3. Tryk den forreste håndbeskyttelse (3) fremad, til den går i indgreb. Savkæden (1) blokeres af kædebremsen.
4. Tryk 7 gange på brændstofpumpen "Primer" (4). (fig. 1)
5. Sæt tænd-/slukkontakten (15) på "ON". (fig. 1)
6. Træk koldstartarmen (chokeren) (14) ud. (fig. 10.2)
7. Hold kædesaven fast i det forreste håndtag (12), og træk startsnoretrækket (8) langsomt ud, til den første modstand mærkes.
8. Træk nu hurtigt i startsnoretrækket (8), til motoren går i gang. Skulle motoren ikke starte, gentages processen. Så længe koldstartarmen (chokeren) (14) er trukket ud, vil motoren kun starte kortvarigt og går derefter ud igen.
9. Så snart motoren er gået ud, aktiverer man spærreknappen til gasregulatoren (7) og gashåndtaget (5) på samme tid. Koldstartarmen (chokeren) (14) springer automatisk i driftsstillingen "Varmstart". (fig. 10.1)
10. Træk derefter igen hurtigt i startsnoretrækket (8), til motoren starter.

Hvis motoren ikke starter efter flere forsøg, henvises til kapitlet "Fejlfinding".

#### **BEMÆRK**

Ved høje udetemperaturer kan det ske, at motoren skal startes uden koldstartarm (choker) (14), selv om motoren er kold!

- Løs kædebremsen ved at trække den forreste håndbeskyttelse (3) tilbage. (fig. 2)
- **FORSIGTIG!** Kædebremsen er nu løsnet. Hvis man aktiverer gashåndtaget (5) sammen med spærreknappen til gasregulatoren (7), starter savkæden (1).

### 10.1.2 Start af varm motor

(Apparatet har været stoppet i mindre end 15–20 minutter.)

#### ADVARSEL

Inden hver ibrugtagning skal man aktivere kædebremsen (pres forreste håndbeskyttelse (3) frem).

1. Tryk den forreste håndbeskyttelse (3) fremad, til den går i indgreb. Savkæden (1) blokeres af kædebremsen.
2. Sæt tænd-/slukkontakten (15) på "ON".
3. Der skal ikke trækkes i koldstartarmen (chokeren) (14) ved start af varm motor.
4. Hold kædesaven fast i det forreste håndtag (12), og træk startsnoretrækket (8) langsomt ud, til den første modstand mærkes.
5. Træk derefter raskt i startsnoretrækket (8). Apparatet bør starte efter 1–2 træk. Hvis apparatet stadig ikke starter efter 6 træk, skal man gentage processen under "Start af kold motor".

### 10.2 Stop af motoren

#### 10.2.1 Nødstop-sekvens

Om nødvendigt skal man straks stoppe apparatet ved at stille tænd-/sluk-kontakten (15) på "OFF". (fig. 1)

#### 10.2.2 Normal sekvens

1. Slip gashåndtaget (5). Motoren overgår til tomgangshastighed.
2. Stil da tænd-/slukkontakten (15) på "OFF". (fig. 1)

### 10.3 Drift i tomgang

#### PAS PÅ

I tomgang skal savkæden (1) stå stille.

#### **BEMÆRK**

Hvis savkæden (1) kører i tomgang, eller motoren stopper af sig selv, når gashåndtaget slippes, skal man justere karburatoren (se kapitel "Vedligeholdelse af karburatorindstillinger").

1. Løft kædesaven.
2. Hold fast i det forreste håndtag (12) med venstre hånd.
3. Hold fast i det bageste håndtag (6) med højre hånd. Herved hviler håndballerne på spærreknappen til gasregulatoren (7), og pegefingern aktiverer gashåndtaget (5).
4. Motoren kører i tomgang, når gashåndtaget (5) aktiveres én gang.
5. Lad motoren varme op et lille stykke tid.

## 10.4 Kontrol og indstilling af kædesmøring

### ⚠ PAS PÅ

- Arbejd aldrig uden kædesmøring! Hvis savkæden (1) løber tør, ødelægges skæreudstyret uopretteligt i løbet af kort tid.
- Inden påbegyndelse af arbejdet skal man altid kontrollere kædesmøringen.

#### Bemærk

Brug kun savkædeolie, fortrinsvis biologisk nedbrydelig olie. Undlad brug af spildolie mv.

Hold kædesaven kørende med det mellemste omdrejnings-tal over en afsavet træstub eller et passende underlag. Hvis smøringen er tilstrækkelig, dannes der en tynd oliefilm på træstubben eller underlaget.

- Om nødvendigt kan kædesmøringen øges eller formindskes ved hjælp af oliereguleringskruen (32) (fig. 11).
- Dette gøres ved hjælp af den medfølgende kærvskrue-trækker (20):
  - Tryk først oliereguleringskruen (32) ind, og drej den dernæst i urets retning for at reducere kædesmøringen.
  - Tryk først oliereguleringskruen (32) ind, og drej den dernæst imod urets retning for at øge kædesmøringen.

## 10.5 Kontrol af kædebremse

### ⚠ ADVARSEL

Kædebremsen skal kontrolleres før hver ibrugtagning. Kædebremsen bremser omgående savkæden (1) i tilfælde af tilbageslag.

1. Sørg for, at den forreste håndbeskyttelse (3) er fri for smuds og let kan bevæge sig.
2. Start kædesaven, og accelerer savkæden (1) til maks. hastighed (fuld gas).
3. Aktiver den forreste håndbeskyttelse (3), mens savkæden (1) kører. Kædebremsen skal omgående bremse og blokere savkæden (1) ved maks. hastighed.

### ⚠ ADVARSEL

Forøget motorhastighed over for lang tid med blokeret kædebremse beskadiger motoren og kædedrevet.

Hvis savkæden (1) alligevel bevæger sig, skal man kontakte kundeservice.

## 11. Anvendelse

### 11.1 Afgreningsarbejde

- Vær som hovedregel opmærksom på faren fra tilbageslående grene.
- Stå ikke på den stamme, du afgrener.
- Undlad at save med skinnespidsen. (fig. 7)
- Sav aldrig flere grene på én gang.
- Understøt så vidt muligt kædesaven med barkstøtten (24) under afgreningen.
- Ved slutningen af snittet skal du sørge for, at kædesaven kan svinge igennem grundet sin egenvægt. Den understøttes ikke længere i snittet, hvorfor du skal holde tilsvarende imod.
- Sørg for at stå fast, stabilt og sikkert under afgreningen.

#### 11.1.1 Afgreningsarbejde i delstykker

Afkort lange og/eller tykke grene, inden du foretager det endelige skillesnit. Ellers risikerer du, at savkæden (1) fastklemmes.

#### 11.1.2 Bearbejdning af træ, som står under spænding

Den rigtige rækkefølge, når du bearbejder træ, der er under spænding, skal overholdes nøje. Ellers kan savkæden (1) blive fastklemt, eller der kan forekomme tilbageslag.

Er træ under spænding, skal der altid først saves ind på tryksiden. Først herefter kan skillesnittet gennemføres på træksiden. (fig. 24)

På denne måde undgås det, at savkæden (1) sætter sig fast.

### ⚠ PAS PÅ

#### Materielle skader!

Liggende træ må ikke røre ved jorden på undersiden af snitstedet, da savkæden (1) ellers kan blive beskadiget.

#### Tilbagestød

- Hvis savkæden (1) fastklemmes ved styreskinnens (2) overkant, kan kædesaven støde hurtigt og ukontrolleret tilbage i retning mod brugeren.

#### Indtrækning

- Hvis savkæden (1) fastklemmes ved styreskinnens (2) underkant, kan kædesaven hurtigt og ukontrolleret trække sig tilbage i retning væk fra brugeren.

## Sikkert arbejde

- Hold apparatet i god brugstilstand for at forebygge personskader.
- Hvis apparatet er faldet på jorden, skal man inspicere det for betydelige skader eller defekter.
- Brug ikke apparatet, hvis du står på en stige eller i en usikker position.
- Lad dig ikke friste til at udføre et uovervejlet snit. Herved risikerer du at udsætte dig selv og andre for fare.
- Skift arbejdsstilling med jævne mellemrum. Langvarig brug af apparatet kan føre til vibrationsrelaterede kredsløbssygdomme i hænderne. Du kan dog forlænge brugsperioden ved at bruge egnede handsker eller holde regelmæssige pauser. Vær opmærksom på, at dit personlige anlæg for dårlig blodcirkulation, lave udetemperaturer eller høje gribekræfter under arbejdet reducerer brugsperioden.

### 11.2 Træstamme er bøjet nedad

1. Sav først aflastningssnittet 1 (ca. 1/3 af stammens diameter) på tryksiden.
2. Udfør dernæst skillesnittet 2 (ca. 2/3 af stammens diameter) på træksiden.

### 11.3 Træstamme er bøjet opad

1. Sav først aflastningssnittet 1 (ca. 1/3 af stammens diameter) på tryksiden.
2. Udfør dernæst skillesnittet 2 (ca. 2/3 af stammens diameter) på træksiden.

### 11.4 Brug af træskæringssav til træsnit i kombination med tovklatre teknik

I dette tillæg gives passende arbejdsmetoder for at reducere faren for personskader under brug af kædesave, når der arbejdes i højden med reb og bærerem. Selvom det kan tjene som retningslinjer og uddannelsesmateriale, må det ikke ses som erstatning for formel uddannelse. De retningslinjer, der gives i dette tillæg, tjener kun som eksempel på god arbejdsmetode. Der kan være gældende nationale eller andre bestemmelser, der kan være strengere.

Brugeren af en kædesav til træpleje, der arbejder i højden med reb og bærerem, bør aldrig arbejde alene. En medarbejder på jorden, der er uddannet i passende nødprocedurer, bør være til stede og hjælpe brugeren.

Brugeren skal være uddannet i almene, sikre klatre- og arbejdspositioneringsteknikker og skal være udstyret med bærerem, reb, slynger, karabinhager og andet udstyr med henblik på at kunne indtage sikre og korrekte arbejdsstillinger for både sig selv og saven.

Nationale love og forskrifter skal altid overholdes nøje.

Dette tillæg omhandler hverken teknikker til kontrol af grene og kviste, der er blevet afsavet af kædesaven, ligesom det heller ikke omfatter de allerede omtalte punkter til sikker brug.

#### 11.4.1 Generelle krav

Brugeren af en kædesav til træpleje, der arbejder i højden med reb og bærerem, bør aldrig arbejde alene. En medarbejder på jorden, der er uddannet i passende nødprocedurer, bør være til stede og hjælpe brugeren.

Brugeren skal være uddannet i almene, sikre klatre- og arbejdspositioneringsteknikker og skal være udstyret med bærerem, reb, slynger, karabinhager og andet udstyr med henblik på at kunne indtage sikre og korrekte arbejdsstillinger for både sig selv og saven.

#### 11.4.2 Forberedelse inden brug af træbeskæringssaven oppe i træet

Kædesaven skal kontrolleres, tankes, startes og køres varm op af medarbejderen på jorden og derefter slukkes, før den hejses op til brugeren i træet.

Kædesaven skal være forsynet med en passende slynge så den kan fastgøres til brugerens bærerem (fig. 13):

- Slyngen skal fastgøres til ophængsordningen (19) på bagsiden af saven (fig. 12).
- Der skal tilvejebringes passende karabinhager for at muliggøre indirekte (dvs. gennem slyngen) og direkte (dvs. til kædesavens ophængsordning (19)) fastgørelse af saven til brugerens bærerem.
- Vær omhyggelig med at fastgøre kædesaven forsvarligt, når den trækkes op mod brugeren (fig. 14).
- Det skal sikres, at kædesaven er fastgjort til bæreremmen, inden den løsnes fra løfterebet.

Muligheden for at fastgøre kædesaven direkte til bæreremmen reducerer risikoen for, at udstyret beskadiges under bevægelsen i træet. Kædesaven skal altid være slukket, når den er fastgjort direkte til bæreremmen.

Kædesaven bør kun sættes på de anbefalede ophængsordninger på seleremmen. Disse kan befinde sig i midten (for eller bag) eller på siderne. Kædesaven skal såvidt muligt anbringes i det midterste bageste midtpunkt af bæreremmen for at holde den på afstand af klatre reb og for at centrere vægten direkte under brugerens rygsøjle.

Hvis kædesaven flyttes fra én ophængsordning til en anden, skal brugeren forvise sig om, at kædesaven er sikret i den nye position, før den løsnes fra den tidligere ophængsordning.

### 11.5 Brug af kædesaven oppe i træet

En analyse af uheld med disse kædesave under træbeskæringsarbejde viser, at hovedårsagen er forkert og enhåndet brug af kædesaven. Ved de fleste ulykker indtager brugerne ikke en sikker arbejdsstilling, der gør det muligt for ham/hende at holde kædesaven i begge hånder, hvilket resulterer i en øget fare for personskader som følge af:

- manglende fast greb under kædesavens tilbageslag;
- manglende kontrol over kædesaven, hvilket gør det lettere for saven at komme i kontakt med klatrereb og brugerens krop (især venstre hånd og arm);
- tab af kontrol pga. en usikker arbejdsstilling og dermed kontakt med kædesaven (uventede bevægelser under arbejdet med kædesaven).

### 11.6 Sikret arbejdsposition når saven holdes med begge hænder

For at kunne holde kædesaven med begge hænder bør brugerne som hovedregel forsøge at indtage en sikker arbejdsstilling, hvor saven styres som følger:

- i hoftehøjde under savning af vandrette stykker;
- i mavehøjde under savning af lodrette stykker.

Hvis brugeren arbejder tæt på den lodrette stamme med lave sidekræfter i forhold til arbejdsstillingen, kan et sikkert fodfæste være tilstrækkeligt til en sikker arbejdsstilling. Men når brugeren bevæger sig væk fra stammen, skal han/hun træffe yderligere foranstaltninger for at afhjælpe eller modvirke de tiltagende sidekræfter, f.eks. ved at føre hovedrøbet via en ekstra ophængsordning eller ved at bruge en justerbar slynge, der fører fra selegrejet til en ekstra ophængsordning (fig. 15 og 16).

#### 11.6.1 Start af træbeskærings-saven oppe i træet

Når kædesaven startes oppe i træet, skal brugeren:

- aktivere kædebremsen inden igangsætning (pres forreste håndbeskyttelse (3) frem).
- holde kædesaven til højre eller venstre for kroppen:
  - holde kædesaven på sin venstre side med sin venstre hånd på det forreste greb, og kædesaven vendt bort fra kroppen, mens starttøvet holdes i højre hånd.
  - holde kædesaven på sin højre side med sin højre hånd på et af de to greb, og kædesaven vendt bort fra kroppen, mens starttøvet holdes i venstre hånd.

Kædebremsen skal altid være aktiveret, inden den kørende kædesav ned sænkes i bærebøbet.

Inden vanskeligt savearbejde bør brugeren altid kontrollere, at kædesaven har tilstrækkelig med brændstof.

### 11.6.2 Enhåndet brug af kædesaven

Brugeren bør ikke benytte kædesaven til træpleje med én hånd i ustabile arbejdsstillinger eller i stedet for en håndsav til afsavning af grenspidser med lille diameter.

Kædesave til træpleje bør kun bruges enhåndet, hvis

- a. det ikke er muligt for brugeren at indtage en arbejdsstilling, der muliggør brug af begge hænder;
- b. det er nødvendigt at sikre arbejdsstillingen med den ene hånd;
- c. kædesaven bruges i en helt udstrakt kropsholdning, vinkelret på og uden for af linje i forhold til brugerens krop.

Brugeren bør aldrig:

- save med tilbageslagsområdet ved spidsen af kædesavens styreskinne (2);
- holde fast i den gren, der saves i;
- forsøge at fange nedfaldende dele.

### 11.6.3 Frigørelse af en fastklemt kædesav

Hvis kædesaven sætter sig fast under savningen, skal brugeren:

1. slukke for kædesaven og fastgøre den sikkert mod træets inderside (dvs. ind mod træstammen) eller til et separat værktøjsreb;
2. trække kædesaven ud af hakket, mens grenen løftes mest muligt.
3. evt. bruge en håndsav eller en anden kædesav til at frigøre den fastklemt kædesav, idet der saves mindst 30 cm væk fra den fastklemt kædesav.

Uanset om der bruges en hånd- eller kædesav til at frigøre en fastklemt kædesav, skal snittene til frigørelse af kædesaven altid foretages på ydersiden (i retning mod grenspidserne), så kædesaven ikke rives med af de afsavede dele og der med komplicerer situationen yderligere.

## 12. Transport

- Påsæt altid styreskinnens (21) afdækning under transport.
- Inden hver transport skal kædesaven slukkes, også over korte afstande. Under transport (også i køretøjer) skal maskinen sikres, så den ikke kan vælte, for at undgå tab af brændstof, skader eller personskader.
- Aktiver kædebremsen (pres forreste håndbeskyttelse (3) frem).
- Apparatet må kun bæres i det forreste håndtag (12). Styreskinnen (2) skal da vende bagud, væk fra kroppen.
- Sørg for at holde den varme lyddæmper (18) på afstand af kroppen. Fare for forbrænding! (fig. 23)

## 13. Rengøring og vedligeholdelse

### ⚠ ADVARSEL

#### Fare for tilskadekomst!

Sluk altid for apparatet inden rengøringsarbejde, og tag tændrørshætten (35) af.  
(se afsnit 13.4 Vedligeholdelse af tændrør (34)).

#### Bemærk

Efter hver brug skal apparatet rengøres grundigt.

Der må kun udføres det rengørings- og vedligeholdelsesarbejde, som er beskrevet i denne brugsanvisning. Alt yderligere arbejde skal udføres af fagfolk.

Vedligeholdelsesarbejde skal udføres regelmæssigt (se kapitel "Vedligeholdelsesintervaller").

### 13.1 Rengøring af motorenhed

### ⚠ ADVARSEL

#### Fare for forbrænding!

Undgå at røre ved varme lyddæmpere, cylindre eller køleribber.

- Hold såvidt muligt beskyttelsesanordninger, luftslidser og motorhuset fri for støv og snavs. Udblæs med trykluft med lavt tryk.
- Rengør apparatet med en fugtig klud og noget skyllemiddel med jævne mellemrum. Sørg for, at vand ikke kan trænge ind i maskinen.

### 13.2 Rensning af luftfilter (33) (fig. 17)

Snavsede luftfiltre forringer motorydelsen, fordi karburatoren forsynes med for lidt luft.

Regelmæssig kontrol er derfor nødvendig. Luftfilteret (33) bør kontrolleres med jævne mellemrum og rengøres efter behov.

Er luften meget støvet, skal luftfilteret (33) kontrolleres oftere.

1. Løsn lukningen for luftfilterafdækningen (10) ved at dreje den imod urets retning.
2. Fjern luftfilterafdækningen (9).
3. Fjern luftfilteret (33).
4. Rengør luftfiltret (33) via udbankning eller udblæsning (med trykluft).

Samlingen foretages i omvendt rækkefølge.

### ⚠ PAS PÅ

Rengør aldrig luftfilteret (33) med benzin eller brændbare opløsningsmidler.

## 13.3 Rengøring af kædedrev

### ⚠ ADVARSEL

#### Fare for tilskadekomst!

Benyt altid beskyttelseshandsker, når du rører ved savkæden (1). Fare for personskade pga. skarpe tænder!

#### Bemærk

Rengør kædedrevet efter hver brug.

1. Stil kædesaven på et plant, stabilt underlag.
2. Træk den forreste håndbeskyttelse (3) helt tilbage til anslag for at løse kædebremsen. (fig. 2)
3. Skru kædestrammeskruen (23) med kærvskruetrækkeren (20) imod urets retning for at reducere stramningen.
4. Fjern begge fastgørelsesmøtrikker (16) med tændrørsnøglen (20).
5. Tag kædehjulsafdækningen (17) af.
6. Tag forsigtigt savkæden (1) af styreskinnen (2) og kædehjulet (27).
7. Fjern styreskinnen (2). Rengør disse med en pensel.
8. Rengør nu hele kædedrevsområdet og kædehjulsafdækningen (17) grundigt med en pensel eller via udblæsning (med trykluft).

Samlingen foretages i omvendt rækkefølge.

### 13.4 Vedligeholdelse af tændrør (34) (fig. 19/20)

1. Afmonter luftfiltret (33), som beskrevet under 13.2 "Rengøring af luftfilter (33)".
2. Fjern tændrørshætten (35) ved at dreje det til venstre og højre, samtidigt med at du trækker i det. Tændrørsticket (35) må kun holdes og trækkes i selve stikket. Der må aldrig trækkes i kablet!
3. Løsn tændrøret (34) med den medfølgende tændrørsnøgle (20).
4. Samlingen foretages i omvendt rækkefølge.

Elektrodeafstand = 0,6 - 0,7 mm (afstand mellem de elektroder, mellem hvilke der genereres tændgnister). Kontrollér tændrøret (34) første gang for tilsmudsning efter 10 driftstimer, og rengør det i givet fald med en kobbertrådbørste. Vedligehold herefter tændrøret (34) for hver 50 driftstimer.

### 13.5 Vedligeholdelse af kædesmøring

- Se kapitel "Kontrol og indstilling af kædesmøring".

### 13.6 Vedligeholdelse karburatorindstillinger

- Hvis savkæden (1) kører i tomgang, eller motoren stopper af sig selv, når gashåndtaget slippes, skal man justere karburatoren.

#### Bemærk

Få karburatorindstillingerne (f.eks. omdrejningstal i tomgang) foretaget, men kun af en kvalificeret fagmand, for at undgå motorskader.

### 13.7 Vedligeholdelse af styreskinne (2)

- Fjern evt. opståede grater fra skinnekanten ved hjælp af en metalfil.
- Rengør styreskinnens (2) rille ved hjælp af en pensel eller med trykluft (fig. 21). Udskift styreskinnen (2), så snart føringsrillen (28) er slidt.
- Drej styreskinnen (2) efter hver brug for at sikre jævn slitage.
- Kontrollér, at tandhullet (30) i spidsen af styreskinnen (2) går let og ubesværet. Smør det evt. med lejeolie. Kom en smule lejeolie i smøreåbningen (31). (fig. 21).

### 13.8 Kontrol af kædebremse

Se afsnit 10.5 "Kontrol af kædebremse"

#### ADVARSEL

#### FARE FOR TILBAGESLAG!

En ikke-fungerende kædebremse øger risikoen for tilbageslag.

Kontrollér kædebremsen med jævne mellemrum.

En funktional kædebremse er afgørende for din sikkerhed.

### 13.9 Stramning og kontrol af savkæde (1)

Se afsnit 9.2 "Stramning og kontrol af savkæde (1)"

### 13.10 Opslibning og pleje af savkæde (1)

#### ADVARSEL

#### Fare for tilskadekomst!

Benyt altid beskyttelseshandsker, når du rører ved savkæden (1). Fare for personskade pga. skarpe tænder!

#### Bemærk

En optimalt plejet og opslebet savkæde (1) reducerer den fysiske belastning, sliddet og giver et godt snitresultat.

Savkæden (1) skal rengøres, plejes og opslibes med jævne mellemrum.

Kontrollér savkæden (1) for revner og beskadigede nitter med jævne mellemrum.

For at give et sikkert greb under slibningen kan man fastgøre en bænksliber på bænkslibe-hjælpe midlet.

Brug kun specielle savkæde-rundfiler med  $\varnothing 4,8$  mm (3/16") til den medfølgende savkæde (1).

I et slibesæt findes der detaljerede oplysninger om slibeprocessen.

Alternativt kan du bruge en elektrisk kædeslibemaskine og følge producentens anvisninger.

Hvis man er i tvivl mht. udførelse af arbejdet, skal man udskifte savkæden (1).

Få evt. savkæden (1) opslebet på et professionelt værksted.

- Nødvendigt tilbehør (medfølger ikke):
  - Savkæde-rundfil  $\varnothing 4,8$  mm (3/16")
  - Fladfil
  - Dybdebegrænsningslære
- Der må kun files i fremad-retning, til fjernelse af materiale.
- Der skal files med en opslibningsvinkel på ca. 25° ved en stigning på 10° i forhold til styreskinnen (2).
- Kontrollér afstanden til dybdebegrænsningen med en dybdebegrænsningslære.
- Den rigtige afstand til dybdebegrænsningen bør være 0,6 mm (0,024").

### 13.11 Vedligeholdelsesintervaller

For at sikre en lang levetid samt undgå skader og sikre fuld funktion af sikkerhedsudstyret skal vedligeholdelsesarbejdet, der beskrives i det følgende, gennemføres med regelmæssige mellemrum. Garantikrav anerkender kun, hvis dette arbejde udføres regelmæssigt og korrekt. Overholdes dette ikke, er der fare for uheld!

Brugere af kædesave må kun udføre det vedligeholdelses- og plejearbejde, der er beskrevet i denne brugsanvisning.

Alt andet arbejde må kun udføres på et professionelt værksted.



Generelt	Hele træbeskæringssaven	Rengøres udvendigt og kontrolleres for skader. Iværksæt straks korrekt reparation, hvis der konstateres skader.
	Savkæde	Efterslib med jævne mellemrum, udskift rettidigt.
	Kædebremse	Få den kontrolleret på et specialværksted med regelmæssige mellemrum
	Styreskinne	Vend den, så de belastede løbeflader slides ensartet. Udskift rettidigt.
Før ibrugtagning	Savkæde	Kontrollér for skader og skarphed. Kontrollér kædestramning.
	Styreskinne	Kontrollér for skader.
	Kædesmøring	Funktionskontrol
	Kædebremse	Funktionskontrol
	Tænd-/slukkontakt, spærreknop til gasregulator, gashåndtag	Funktionskontrol
	Brændstof- og kædeolietank-dæksel	Kontrollér for tæthed.
Dagligt	Luffilter	Rengøring
	Styreskinne	Kontrolleres for beskadigelser, olieindgangsboring rengøres
	Skinneholder	Rengøres, især oliestyrenoten
	Omdrejningstal i tomgang	Kontrolleres (kæde må ikke løbe med)
Hver uge	Ventilatorhus	Rengøres for at sikre korrekt køleluftføring
	Tændrør	Kontrolleres, forny evt.
	Lyddæmper	Kontrolleres for tilstopning
	Kædefanger	Kontrolleres for beskadigelser, forny evt.
	Skruer og møtrikker	Kontrolleres for tilstand og fast montering
Hver 3. måned	Sugehoved Brændstof, kædeolietank	Udskiftning Rengøring
Opbevaring	Hele træbeskæringssaven	Rengøres udvendigt og kontrolleres for beskadigelser Organisér straks en korrekt reparation, hvis den er beskadiget
	Savkæde og -skinne	Afmonteres, rengøres og smøres med et tyndt lag olie Styreskinnens føringsrille rengøres
	Brændstof, kædeolietank	Tømmes og rengøres
	Karburator	Tomkørsel

### 13.12 Vigtig oplysning ifm. reparation

Ved returnering af maskinen til reparation skal man være opmærksom på, at maskinen af sikkerhedsmæssige årsager er tømt for olie- og brændstof, før den sendes til servicestationen.

### 13.13 Serviceinformationer

Vær opmærksom på, at følgende dele på dette produkt slides som følge af brug eller naturligt slid, og at der er brug for følgende dele som forbrugsmaterialer.

Sliddele\*: Savkæde, styreskinne, kædeolie, motorolie, barkstøtte, kædefanger, tændrør, luftfilter, brændstoffilter, kædeoliefilter

\* følger ikke nødvendigvis med leverancen!

### Godkendt skæredstyr

Savkæde

Kangxin 3/8LP-40.....7910100739

Oregon 91P040X.....3910102032

Styreskinne

Kangxin AP10-40-509P.....7910100740

Oregon 100SDEA041 .....7910100744

## 14. Opbevaring

Tændrørsnøglen / kærvskruetrækkeren (20) kan opbevares på siden af styreskinnens (21) afdækning.

Påsæt altid styreskinnens afdækning (21) under opbevaring.

Rengør og vedligehold apparatet inden hver opbevaring; se kapitel "Rengøring og vedligeholdelse".

Tøm olie- og/eller brændstofftanken fuldstændigt.

### ADVARSEL

Fjern ikke benzinen i lukkede rum, i nærheden af ild eller hvis der ryges. Gasdampe kan føre til eksplosioner eller brand.

- Start motoren, og lad den køre, indtil resten af benzinen er brugt op.

Apparatet og dets tilbehør skal opbevares mørkt, tørt og frostsikkert og utilgængeligt for børn. Den optimale opbevaringstemperatur er mellem 5 og 30°C.

Opbevar og brug ikke kædesaven ved temperaturer under 0 ° C!

Opbevar aldrig kædesaven længere end 30 dage uden at følge nedenstående punkter.

Følg rengørings- og vedligeholdelsesanvisningerne, inden du oplagrer din maskine!

### 14.1 Oplagring af kædesaven:

Hvis du oplagrer en kædesav længere end 30 dage, skal den forberedes til det. Ellers fordampes den resterende brændstof i karburatoren og efterlader et gummiagtigt bundfald. Det kan vanskeliggøre start og medføre dyre reparationsarbejder.

1. Tag langsomt låget (13) af brændstofftanken for at aftape eventuelt tryk i tanken. Tøm tanken forsigtigt.
2. Start motoren, og lad den køre, indtil kædesaven stopper. Dette fjerner brændstof fra karburatoren.
3. Lad motoren køle af (ca. 5 minutter).
4. Fjern tændrøret (34).
5. Hæld 1 teske ren 2-taktsolie i forbrændingskammeret. Træk gentagne gange langsomt i startsnoretrækket (8) for at coate de interne komponenter. Isæt tændrøret (34) igen.

Kædesaven skal opbevares et tørt sted og i sikker afstand fra eventuelle antændelseskilder, f.eks. ovne, varmtvandskedler med gas, gastørresystemer osv., utilgængeligt for børn.

Påsæt altid styreskinnens afdækning (21), hvis savkæden (1) og styreskinnen (2) ikke er afmonteret

### 14.2 Fornyet ibrugtagning af kædesaven

1. Fjern tændrøret (34).
2. Træk raskt i startsnoretrækket (8) for at fjerne overskydende olie fra forbrændingskammeret.
3. Rens tændrøret (34), og vær opmærksom på den korrekte elektrodeafstand på tændrøret (34), eller isæt et nyt tændrør (34) med den korrekte elektrodeafstand.
4. Forbered kædesaven til drift.
5. Fyld tanken op med den rigtige olie- og brændstofblanding (1:40).

### 14.3 Opbevaring af brændstof

Brændstoffer kan kun opbevares i begrænset tid. Brændstof og brændstofblandinger ældes som følge af fordampning, især hvis de udsættes for høje temperaturer. Brændstof og brændstofblandinger, der opbevares for længe, kan således føre til startproblemer og motorskader. Køb kun så meget brændstof, som der er brug for til et par måneder. Opbrug brændstof, der er blandet ved højere temperaturer, i løbet af 6-8 uger.

**Opbevar kun brændstof i godkendte beholdere, som skal lagres tørt, køligt og sikkert!**

## ADVARSEL

### Undgå kontakt med hud og øjne!

Mineralolieprodukter, også olietyper, affædter huden. Huden udtørres ved gentagen og længerevarende kontakt. Dette kan føre til forskellige hudsygdomme. Desuden er allergiske reaktioner bekendt.

Øjenkontakt med olie fører til irritationer. Ved øjenkontakt - skyl straks det pågældende øje med rent vand. Forsvinder irritationen ikke, skal du gå til læge med det samme!

## 15. Bortskaffelse og genanvendelse

### Oplysninger om emballage



Emballagematerialerne er genanvendelige. Emballage skal altid bortskaffes if. gældende miljøregler.

## Informationer om muligheder for bortskaffelse af gamle apparater fås ved henvendelse til kommunen.

### Brændstof og olie

- Inden apparatet bortskaffes, skal brændstoftanken og motoroliebeholderen tømmes!
- Brændstof og motorolie hører ikke til i husholdningsaffald eller afløb, men skal indsamles og/eller bortskaffes separat!
- Tomme olie- og brændstofbeholdere skal bortskaffes i henhold til gældende miljøregler.

## 16. Afhjælpning af fejl

Fejl	Mulig årsag	Afhjælpning
Motoren starter ikke, eller den er startet, men kører ikke videre.	Forkert startprocedure.	Læs anvisningerne i denne vejledning.
	Forkert indstillet karburatorblanding.	Karburatoren skal justeres af en autoriseret kundeservice.
	Tilsodet tændrør.	Rens/juster tændrøret, eller isæt et nyt.
	Tilstoppet brændstoffilter.	Udskift brændstoffilteret.
Motoren starter, men den kører ikke med fuld ydeevne	Snavset luftfilter.	Tag filteret ud, rengør det, og isæt det igen.
	Forkert indstillet karburatorblanding.	Karburatoren skal justeres af en autoriseret kundeservice.
Motoren hakker	Forkert indstillet karburatorblanding.	Karburatoren skal justeres af en autoriseret kundeservice.
Ingen ydelse ved belastning	Forkert indstillet tændrør.	Rens/juster tændrøret, eller isæt et nyt.
Motor kører i hak	Forkert indstillet karburatorblanding.	Karburatoren skal justeres af en autoriseret kundeservice.
For meget røg.	Forkert brændstofblanding.	Brug den rigtige brændstofblanding (forhold 1:40).
Ingen ydelse ved belastning	Kæde stump eller kæde løs	Opslib kæde, eller påsæt ny kæde. Stram kæde.
Motor drukner	Benzintank tom eller brændstoffilteret i tanken forkert placeret	Fyld benzintank. Fyld benzintank helt op, eller placer brændstoffilter i anderledes i benzintanken.
Utilstrækkelig kædesmøring (sværd og kæde bliver meget varme)	Kædeolietank tom	Fyld kædeolietank op.
	Olieåbninger er tilstoppede	Rens smørehullet i sværdet. Rens sværdets rille.

## 17. Garantibevis

Kære kunde,

Alle vores produkter gennemgår strenge kvalitetskontrol for at sikre, at de når dig i perfekt stand. I det usandsynlige tilfælde, at enheden udvikler en fejl, bedes du kontakte vores serviceafdeling på den adresse, der vises på dette garantibevis. Selvfølgelig, hvis du foretrækker at ringe til os så er vi også glade for at tilbyde vores bistand under servicenummer trykt nedenfor. Bemærk følgende betingelser, som garantikrav kan gøres:

- Disse garanti vilkår omfatte yderligere garanti rettigheder og påvirker ikke dine lovbestemte rettigheder for garanti. Vi vil ikke debitere dig for denne garanti.
- Vores garanti dækker kun problemer forårsaget af materiale- eller produktionsfejl, og det er begrænset til afhjælpning af disse mangler eller udskiftning af enheden. Bemærk, at vores enheder ikke er designet til brug i kommercielle, handel eller industrielle applikationer. Derfor er garantien ugyldig, hvis udstyret bruges i kommerciel, handel eller industrielle applikationer eller for andre tilsvarende aktiviteter. Følgende er også udelukket fra vores garanti: kompensation for transportskader, skader forårsaget af manglende overholdelse af installations- / monteringsvejledning eller skader forårsaget af uprofessionel installation, manglende overholdelse brugsanvisningen (f.eks tilslutning til den forkerte netspænding eller strøm type), misbrug eller u hensigtsmæssig brug (såsom overbelastning af apparatet eller brug af ikke-godkendte værktøj eller tilbehør), manglende overholdelse af vedligeholdelses- og sikkerhedsforskrifter, indtrængen af fremmedlegemer i apparatet (f.eks sand, sten eller støv) , virkninger af vold eller ydre påvirkninger (f.eks skader forårsaget af enheden bliver droppet) og normal slidage som følge af korrekt funktion af apparatet.

Garantien erklæres ugyldige, hvis der gøres forsøg på at manipulere med enheden.

- Garantien er gyldig i en periode på 3 år fra købsdatoen af enheden. Garantikrav skal indsendes inden udløbet af perioden garanti senest to uger efter defekten blive bemærket. Ingen garantikrav vil blive accepteret efter udløbet af garantiperioden. Den oprindelige garantiperiode fortsat anvendelse til enheden, selvom reparationer udføres eller dele udskiftes. I sådanne tilfælde, det udførte arbejde eller dele monteret vil ikke resultere i en forlængelse af garantiperioden, og ingen ny garanti bliver aktiv for det udførte eller dele monteret arbejde. Dette gælder også, når der anvendes en tjeneste på stedet.
- For at du kan gøre dit garantikrav gældende, bedes du kontakte nedenstående serviceadresse. Hvis reklamationen ligger inden for garantiperioden, vil vi fremsende dig en returmærkat, med hvilken du gratis kan returnere dit defekte apparat til os. Det ville hjælpe os, hvis du kunne beskrive karakteren af problemet så detaljeret som muligt. Hvis fejlen er dækket af vores garanti så din enhed vil enten blive repareret med det samme og returneret til dig, eller vi vil sende dig en ny enhed.

Selvfølgelig er vi også glade tilbyde en afgiftsuldøsende reparationservice for eventuelle mangler, der ikke er omfattet af anvendelsesområdet for denne garanti eller til enheder, som ikke længere er dækket. At drage fordel af denne service, skal du sende enheden til vores service-adresse.

### Tjeneste-Hotline (DK):

00800 4003 4003

(0,00 €/Min.)

### Tjeneste-mail (DK):

service.DK@schepach.com

### Tjeneste Adresse (DK):

Sotek

Charlottevej 30 E

DK - 4270 Hong






På [www.lidl-service.com](http://www.lidl-service.com) kan du downloade disse og mange flere manualer, produktvide-  
oer og installationssoftware.



Med QR-koden kan du få direkte adgang til Lidl-service-siden ([www.lidl-service.com](http://www.lidl-service.com)) og  
åbne din betjeningsvejledning ved at indtaste artikelnummeret (IAN) 403506\_2204.

---

1.	Spiegazione dei simboli sull'apparecchio .....	221
2.	Avvertenza per l'utente.....	222
3.	Introduzione .....	223
4.	Descrizione dell'apparecchio .....	223
5.	Contenuto della fornitura.....	224
6.	Impiego conforme alla destinazione d'uso.....	224
7.	Indicazioni di sicurezza.....	224
8.	Dati tecnici.....	229
9.	Prima della messa in funzione.....	230
10.	Messa in funzione.....	232
11.	Utilizzo.....	234
12.	Trasporto.....	237
13.	Pulizia e manutenzione.....	237
14.	Stoccaggio .....	240
15.	Smaltimento e riciclaggio .....	241
16.	Risoluzione dei guasti .....	242
17.	Certificato di garanzia.....	243
18.	Disegno esploso.....	398
19.	Dichiarazione di conformità .....	400

## 1. Spiegazione dei simboli sull'apparecchio

 <p>Leggere, comprendere e attenersi a tutte le avvertenze.</p>	 <p>Leggere completamente le istruzioni per l'uso prima di utilizzare il dispositivo.</p>
 <p>Avviso! Pericolo di contraccolpo (kickback). Proteggersi da eventuali contraccolpi della sega a catena ed evitare il contatto con la punta della guida.</p>	 <p>Non mettere l'apparecchio in funzione in caso di pioggia o in condizioni di umidità.</p>
 <p>Indossare occhiali protettivi. Indossare otoprotettori.</p>	 <p>Indossare un casco di protezione.</p>
 <p>Indossare sempre guanti protettivi e antivibrazione quando si utilizza il dispositivo.</p>	 <p>Indossare sempre scarpe antinfortunistiche antiscivolo con protezione anti-taglio quando si utilizza il dispositivo.</p>
 <p>È importante indossare gli indumenti di protezione per piedi, gambe, mani e avambracci.</p>	 <p>Utilizzare sempre la sega a catena con entrambe le mani. Non utilizzare la sega a catena con una sola mano.</p>
 <p>Attenzione! Impiego di seghe a catena in combinazione con tecniche di sollevamento con corda. Prima di iniziare l'operazione, familiarizzare con le indicazioni di lavoro!</p>	 <p>Fiamme libere nell'area di lavoro vietate!</p>
 <p>Apertura di riempimento per il carburante. Miscela di olio e carburante 1:40</p>	 <p>Senso di rotazione</p>
 <p>Tappo del serbatoio dell'olio per la catena</p>	 <p>Regolazione del freno della catena: Freccia bianca: Freno della catena non attivo Freccia nera: Freno della catena attivo</p>
 <p>Leva di avvio a freddo (valvola dell'aria)</p>	 <p>Rilasciare il freno della catena</p>
 <p>Attivare il freno della catena</p>	 <p>Direzione di montaggio della catena della sega</p>
 <p>Regolazione lubrificazione della catena</p>	 <p>Il livello di potenza sonora dell'apparecchio è garantito.</p>

	<p>Attenzione! Parti calde.</p>	 <p>push primer 6 times</p>	<p>Premere 6 volte la pompa del carburante (Primer).</p>
<p><b>PERICOLO</b></p>	<p>Dicitura di segnalazione indicante la presenza di una situazione imminente di pericolo che, se non viene evitata, porta alla morte o a gravi lesioni.</p>		
<p><b>AVVISO</b></p>	<p>Dicitura di segnalazione indicante una possibile situazione di pericolo che, se non viene evitata, può portare alla morte o a gravi lesioni.</p>		
<p><b>CAUTELA</b></p>	<p>Dicitura di segnalazione indicante una possibile situazione di pericolo che, se non viene evitata, può comportare lesioni di lieve o media entità.</p>		
<p><b>AVVERTENZA</b></p>	<p>Dicitura di segnalazione indicante una possibile situazione di pericolo che, se non viene evitata, potrebbe comportare danni materiali al prodotto o proprietà.</p>		

## 2. Avvertenza per l'utente

### AVVISO:

**Prima della messa in funzione iniziale, leggere attentamente e in modo completo queste istruzioni per l'uso e attenersi alle norme di sicurezza! Questa sega per arboricoltura può essere utilizzata soltanto dai relativi operatori con una formazione supplementare riguardo ai lavori eseguiti in ceste sollevabili o scale idrauliche nonché alle tecniche di sollevamento con corda!**

**Conservare le istruzioni per l'uso con cura!**

### Avvertenza:

**Notare bene che alcune disposizioni nazionali possono limitare il funzionamento della macchina.**



Questa sega è concepita specificamente per lavori di arboricoltura e interventi di dendrochirurgia. Tutti i lavori eseguiti con questa sega sono lavori di arboricoltura e dendrochirurgia e possono essere eseguiti solo da operatori di seghe per arboricoltura.



### 3. Introduzione

#### FABBRICANTE:

**Scheppach GmbH**

Günzburger Straße 69

89335 Ichenhausen, Germania

#### GENTILE CLIENTE,

Le auguriamo un piacevole utilizzo del Suo nuovo apparecchio.

#### AVVERTENZA:

Sulla base della legge attualmente in vigore sulla responsabilità per prodotti difettosi, il produttore del presente apparecchio non risponde dei danni all'apparecchio in questione o derivanti da esso in caso di:

- manipolazione impropria,
- mancato rispetto delle istruzioni per l'uso,
- riparazioni da parte di terzi, personale tecnico non autorizzato,
- montaggio e sostituzione di pezzi di ricambio non originali,
- utilizzo non conforme.

#### Da osservare:

Prima del montaggio e della messa in funzione, leggere tutto il testo delle istruzioni per l'uso.

Le presenti istruzioni per l'uso le consentono di conoscere l'apparecchio di sfruttare le sue possibilità d'impiego conformi.

Le istruzioni per l'uso contengono avvertenze importanti su come utilizzare l'apparecchio in modo sicuro, corretto ed economico e su come evitare i pericoli, risparmiare sui costi di riparazione, ridurre i tempi di inattività e aumentare l'affidabilità e la durata di vita dell'apparecchio.

Oltre alle disposizioni di sicurezza contenute nelle qui presenti istruzioni per l'uso, è necessario altresì osservare le norme in vigore nel proprio Paese per l'apparecchio.

Conservare le istruzioni per l'uso vicino all'apparecchio, protette da sporcizia e umidità in una copertina di plastica. Esse devono essere lette e rispettate attentamente da tutti gli operatori prima di iniziare il lavoro.

Possono lavorare sull'apparecchio solo persone che sono state istruite sull'uso dell'apparecchio e che sono state informate dei rischi a esso associati. L'età minima richiesta per gli operatori deve essere assolutamente rispettata.

Oltre alle indicazioni di sicurezza contenute nelle presenti istruzioni per l'uso e alle disposizioni speciali in vigore nel proprio Paese, devono essere rispettate le regole tecniche generalmente riconosciute per l'utilizzo di macchine simili.

Si declina ogni responsabilità in caso di incidenti o danni dovuti al mancato rispetto delle presenti istruzioni per l'uso e delle indicazioni di sicurezza.

### 4. Descrizione dell'apparecchio

1. Catena della sega
2. Barra di guida
3. Protezione delle mani anteriore
4. Pompa del carburante "primer"
5. Leva gas
6. Maniglia posteriore
7. Blocco della leva del gas
8. Cavo di avviamento
9. Coperchio del filtro dell'aria
10. Chiusura per la copertura del filtro dell'aria
11. Chiusura del serbatoio dell'olio per la catena
12. Impugnatura anteriore
13. Tappo del serbatoio del carburante
14. Leva di avvio a freddo (valvola dell'aria)
15. Interruttore ON/OFF
16. Dadi di fissaggio
17. Copertura della ruota dentata
18. Silenziatore
19. Dispositivo di sospensione
20. Chiave per candele/Cacciavite per viti con testa a intaglio
21. Copertura della barra di guida
22. Contenitore di miscelazione
23. Vite di messa in tensione della catena
24. Battuta dentata
25. Supporto della catena
26. Spina elastica della catena
27. Ruota dentata
28. Scanalatura di guida
29. Bullone di bloccaggio
30. Ruota dentata
31. Apertura per lubrificante
32. Vite di regolazione dell'olio
33. Filtro dell'aria
34. Candela di accensione
35. Pipetta della candela
36. Testa di aspirazione

## 5. Contenuto della fornitura

- Sega per arboricoltura
- Catena della sega
- Barra di guida
- Copertura della barra di guida
- Chiave per candele/Cacciavite per viti con testa a intaglio
- Contenitore di miscelazione

## 6. Impiego conforme alla destinazione d'uso

Questo apparecchio è una sega per arboricoltura particolarmente leggera e maneggevole con maniglia situata nella parte superiore sviluppata appositamente per lavori di dendrochirurgia e cura degli alberi. Queste seghe per arboricoltura possono pertanto essere utilizzate soltanto da "operatori di seghe per arboricoltura con una formazione supplementare riguardo ai lavori eseguiti in ceste sollevabili o scale idrauliche nonché alle tecniche di sollevamento con corda".

Per l'uso occasionale su legna sottile, per la cura di alberi da frutta, sfrondata, tagli a misura.

È possibile utilizzarla per tagliare legna per il camino soltanto se il diametro del pezzo di legno non supera la lunghezza di taglio (20 cm).

Per questi lavori si consiglia di utilizzare una sega a motore convenzionale con un'elevata distanza dell'impugnatura o una lunghezza di taglio considerevole.

Chi non deve utilizzare l'apparecchio:

Persone che non abbiano dimestichezza con le istruzioni per l'uso, bambini di età inferiore a 16 anni, nonché persone sotto l'effetto di alcool, droghe o farmaci, stanche o ammalate.

In conformità alle disposizioni, il dispositivo è destinato esclusivamente al taglio del legno. Il produttore non si assume alcuna responsabilità per danni dovuti all'utilizzo non conforme alla destinazione d'uso oppure all'uso errato.

È consentito impiegare l'apparecchio solo conformemente alla sua destinazione d'uso. Qualsiasi ulteriore impiego che esuli dalla suddetta finalità non è conforme alla destinazione d'uso. L'utente/l'operatore, e non il fabbricante, è unico responsabile dei danni o delle lesioni provocati da un uso non conforme.

L'osservanza delle indicazioni di sicurezza, nonché il rispetto delle istruzioni di montaggio e delle indicazioni operative contenute nelle istruzioni per l'uso sono fondamentali al fine di un utilizzo del dispositivo conforme alla destinazione d'uso.

Le persone che utilizzano esegono la manutenzione dell'apparecchio deve possedere una certa dimestichezza con lo stesso ed essere al corrente dei possibili pericoli.

Occorre inoltre attenersi scrupolosamente alle norme antinfortunistiche in vigore.

Rispettare le altre norme generali concernenti la medicina del lavoro e la tecnica di sicurezza.

Modifiche all'apparecchio sollevano il produttore completamente da qualsivoglia per i danni che ne derivano.

Si prega di osservare che i nostri apparecchi non sono destinati a un uso commerciale, artigianale o industriale. Non ci si assume alcuna responsabilità se l'apparecchio è impiegato nel quadro di un'attività commerciale, artigianale, industriale o simili.

### PERICOLO

Sulla base della legge attualmente in vigore sulla responsabilità per prodotti difettosi, il produttore del presente apparecchio non risponde dei danni all'apparecchio in questione o derivanti da esso in caso di:

- montaggio e sostituzione di pezzi di ricambio non originali,
- Rimozione o modifica dei componenti di sicurezza.

### 6.1 Impiego non conforme alla destinazione d'uso

- Questo apparecchio non è adatto per abbattere gli alberi.
- Non utilizzare la barra di guida come leva per spostare tronchi d'albero o simili.
- Non è consentito segare legno con un diametro superiore a 20 cm.

## 7. Indicazioni di sicurezza

### 7.1 Indicazioni generali

#### AVVISO

Essere sempre vigili, prestare attenzione a quello che si fa e procedere in modo ragionevole quando si lavora con il dispositivo. Non utilizzare il dispositivo quando si è stanchi, debilitati o sotto l'effetto di droghe, alcool o medicinali. Un momento di negligenza durante l'uso dell'apparecchio può causare lesioni gravi.

Evitare utilizzi scorretti, utilizzando la macchina solo come descritto alla sezione "Utilizzo conforme alla destinazione d'uso". Le istruzioni per l'uso contengono avvertenze importanti su come lavorare in modo sicuro e competente con la sega a catena ed evitare i pericoli.

Se tuttavia dovesse verificarsi un blocco tra il materiale da tagliare e la catena della sega, spegnerla immediatamente. Attendere l'arresto della catena della sega. Rimuovere la pipetta della candela e indossare guanti antitaglio per eliminare il blocco. Qualora sia necessario rimuovere la barra di guida (lama), seguire le istruzioni fornite nel capitolo "Montaggio". Dopo la rimozione del blocco e il riassettaggio, è necessario eseguire una prova d'uso.

Se vengono rilevati vibrazioni o rumori meccanici, interrompere il lavoro e contattare un centro di assistenza autorizzato. Se questo pericolo si verifica spesso, si consiglia di ripetere la formazione.

- Prima della messa in funzione leggere le istruzioni di servizio dell'apparecchio e osservare in particolare le indicazioni di sicurezza.
- I segnali di avviso e avvertenza applicati sull'apparecchio forniscono importanti avvertenze per un funzionamento sicuro.
- Oltre alle indicazioni riportate nelle istruzioni per l'uso devono essere osservate le norme generali di sicurezza e antinfortunistiche imposte dalla legge.
- Tenere i bambini a distanza dalle pellicole di imballaggio; sussiste il pericolo di soffocamento!
- Gli operatori che non sono informati a sufficienza possono mettere in pericolo se stessi e altre persone in seguito ad un uso improprio. L'operatore è responsabile per la sicurezza di terzi.
- Prima di iniziare a lavorare, controllare il funzionamento della leva dell'acceleratore che, una volta rilasciata, deve tornare automaticamente in posizione di folle.
- Non lavorare sul pezzo più a lungo di 10 minuti. Si suggerisce di fare una pausa di 10 - 20 minuti tra le fasi di lavoro.
- Prestare il dispositivo solo a utilizzatori che abbiano esperienza nel suo uso. È necessario consegnare anche le istruzioni per l'uso.
- Alcune attività di taglio richiedono una formazione speciale e particolari capacità. In caso di dubbi, rivolgersi a un esperto.
- Gli utilizzatori principianti devono essere istruiti e prendere dimestichezza con le caratteristiche del dispositivo. Per la propria sicurezza, sarebbe necessario frequentare un corso ufficiale per utilizzatori di motoseghe.
- In caso di inutilizzo, il dispositivo deve essere posizionato in modo da non costituire un potenziale pericolo. Mettere in sicurezza contro un accesso non autorizzato.
- L'operatore del dispositivo è responsabile per qualsiasi incidente e potenziale pericolo che possa recare danno ad altre persone o ad oggetti di loro proprietà.

- Bambini, ragazzi e persone con capacità fisiche, sensoriali o mentali ridotte non devono utilizzare la sega a catena. Fanno eccezione i ragazzi di età superiore a 16 anni nell'ambito della formazione sotto la vigilanza di un esperto.
- L'impianto elettrico di accensione del dispositivo genera un campo elettromagnetico ridotto. Se si indossa un pacemaker o un impianto simile, consultare il proprio medico prima di utilizzare il dispositivo, al fine di evitare qualsiasi rischio per la salute.
- In caso di manutenzione impropria, utilizzo di pezzi di ricambio non conformi o rimozione, nonché modifiche, dei dispositivi di sicurezza, fare attenzione al fatto che possono verificarsi danni al dispositivo e gravi lesioni alla persona che sta lavorando su di esso.

## 7.2 Dispositivi di protezione individuale (DPI)

### PERICOLO

Indossate sempre i dispositivi di protezione individuale (DPI), come le protezioni per gli occhi (visiera o occhiali), le protezioni per la testa, le mani, le gambe e i piedi adatte all'arrampicata sugli alberi!

- Indossare un casco protettivo con protezione per il viso oppure occhiali di protezione e otoprotettori.
- Indossare indumenti di protezione aderenti con inserto di protezione contro il taglio.
- Indossare scarpe antinfortunistiche antiscivolo.
- Indossare dei guanti protettivi.
- Evitare indumenti larghi che possono impigliarsi.
- Non indossare sciarpe, cravatte né gioielli!
- Se si portano i capelli lunghi, utilizzare una retina per capelli!
- Durante qualsiasi lavoro nella foresta indossare un casco protettivo. Questo protegge da rami che cadono. Verificare regolarmente la presenza di danni sul casco protettivo. Dopo 5 anni al massimo occorre sostituirlo. Utilizzare soltanto caschi protettivi collaudati.
- La protezione per il viso, o visiera, del casco oppure gli occhiali protettivi tengono lontane la segatura e le schegge di legno. Per evitare lesioni agli occhi, durante i lavori con il dispositivo indossare sempre una protezione per il viso e/o occhiali di protezione.
- Indossare sempre otoprotettori. Il rumore prodotto dal dispositivo può provocare danni all'udito.
- Indossare scarpe antinfortunistiche robuste in materiale resistente, ad es. in pelle.
- Durante l'operazione di segatura di legno secco, indossare una maschera di protezione antipolvere. È possibile che si formi polvere da taglio.

- Quando si lavora sull'albero, l'utente può cadere. L'utente può rimanere gravemente ferito o ucciso. Indossare l'attrezzatura per la protezione anticaduta.

### 7.3 Stoccaggio e trasporto

- Spegnerne la sega a catena prima del trasporto, anche su percorsi brevi. Inserire il freno della catena e applicare un copricatena.
- Utilizzare il copricatena durante il trasporto e lo stoccaggio.
- Mettere in sicurezza la macchina durante il trasporto (anche all'interno di veicoli) per evitare ribaltamenti, perdite di carburante, danni o lesioni.
- Trasportare il dispositivo solo tirandolo dalla maniglia anteriore. La barra di guida punta in questo caso all'indietro, lontana dal corpo.
- Tenere il silenziatore caldo lontano dal corpo. Sussiste il pericolo di ustioni!
- Pulire e sottoporre a manutenzione la sega a catena prima dello stoccaggio.
- Conservare il dispositivo in un luogo sicuro e asciutto. Metterlo in sicurezza anche prima di un accesso non autorizzato.

### 7.4 Sicurezza dell'ambiente

- Le normative nazionali e/o locali possono imporre dei vincoli temporali all'utilizzo di dispositivi a motore che generano rumore. Informarsi in merito presso la propria amministrazione comunale.
- Il dispositivo non può essere azionato all'interno o in aree non correttamente ventilate. Sussiste il pericolo di soffocamento dovuto ai vapori dei gas di scarico/olio lubrificante.
- Procedere ai lavori soltanto di giorno.
- Non lavorare nemmeno in caso di condizioni ambientali sfavorevoli, quali vento o pioggia. In questo caso sussiste un rischio elevato di incidente.
- Tenere la zona di lavoro pulita e sgombra.
- Tenere lontani bambini, altre persone e animali prima e durante il lavoro. Si potrebbe perdere il controllo del dispositivo in base di sterzata.
- Accertarsi, prima di iniziare il lavoro, che nella zona di pericolo non siano presenti persone, animali o oggetti di valore.
- Non lavorare vicino a reti metalliche o in aree con filo spinato libero.
- Tenere a portata di mano degli estintori quando si lavora in atmosfere altamente infiammabili, ad es. in presenza di erba secca etc. Sussiste il pericolo di incendio!

### 7.5 Rabboccare con carburante

- La benzina è facilmente infiammabile. Durante il rifornimento, tenersi a distanza da fiamme libere e non fumare. Sussiste il pericolo di incendio!
- Assicurarsi di non rovesciare della benzina. Benzina o olio per catene non devono penetrare nel terreno. Avvalersi di supporti adeguati.
- Fare rifornimento solo in aree correttamente ventilate. I vapori di benzina possono infiammarsi facilmente ed esplodere.
- Spegnerne il motore prima del rifornimento e lasciare raffreddare il dispositivo. Se è stata rovesciata della benzina, pulire subito i punti interessati. Non lasciare del carburante sui propri vestiti, ma cambiarli subito.
- Evitare il contatto con la pelle e con gli occhi di benzina o lubrificanti (olio).
- Non aspirare i vapori di benzina/olio lubrificante.
- Prestare attenzione ai difetti di tenuta. Se fuoriesce della benzina, non avviare il motore. Sussiste il rischio di ustioni.
- Aprire il tappo del serbatoio solo prestando attenzione, in modo che la sovrappressione residua possa scaricarsi lentamente e non schizzi benzina.

### 7.6 Prima della messa in funzione

#### AVVISO

Eseguire sempre il controllo prima della messa in funzione e a motore spento.

Controllare lo stato di funzionamento sicuro del dispositivo prima dell'uso e dopo che è caduto a terra.

Controllare che tutte le parti in movimento funzionino in modo impeccabile. Molti infortuni sono causati da una cattiva manutenzione degli strumenti. Fare riparare le parti danneggiate da personale specializzato e qualificato.

Utilizzare la sega a catena e gli accessori solo conformemente a queste applicazioni, e prendendo in considerazione le condizioni operative e l'attività da svolgere. Un utilizzo di dispositivi a motore per applicazioni diverse da quelle previste può comportare situazioni pericolose.

- Controllare regolarmente la funzionalità del freno della catena (protezione anteriore della mano, vedere fig. 2).
- Verificare che la barra di guida sia montata correttamente.
- Controllare che la catena della sega sia tesa correttamente. Attenersi alle istruzioni per la lubrificazione, la tensione della catena e la sostituzione degli accessori. Una catena tesa in modo improprio oppure lubrificata male può o strapparsi o aumentare il rischio di contraccolpi.

- Conservare gli utensili di taglio affilati e puliti. Riaffilarli regolarmente e sostituire al momento opportuno i componenti usurati. Utensili di taglio con bordi affilati e sottoposti ad una manutenzione accurata si bloccano con una frequenza minore e sono più agevoli da controllare.
- Controllare la scorrevolezza di leva dell'acceleratore e relativo blocco. La leva dell'acceleratore deve ritornare in posizione iniziale per effetto della forza elastica.
- Controllare che all'interno del serbatoio ci siano carburante e olio lubrificante per catene a sufficienza.
- Controllare che le impugnature siano pulite, asciutte e libere da olio e sporco.
- Non procedere mai ai lavori da soli. In caso di emergenza deve esserci qualcuno nelle vicinanze.
- Utilizzare la sega a catena solo quando si trova su un terreno resistente, sicuro e piano. Evitare una postura anomala. Un fondo scivoloso o superfici di appoggio instabili (come ad es. possono presentarsi su una scala), possono comportare la perdita dell'equilibrio e del controllo sulla sega a catena. Accertarsi che la posizione sia sicura e mantenere sempre l'equilibrio. In questo modo è possibile controllare in modo migliore la sega a catena in situazioni inattese.
- Non utilizzare la sega a catena sopra ad un albero. In caso di utilizzo su un albero, sussiste il pericolo di lesioni.
- Non tagliare mai sopra l'altezza delle spalle.
- Tenere la sega a catena sempre con la mano destra dalla maniglia posteriore, tenendo invece la mano sinistra su quella anteriore. Un eventuale blocco della sega a catena in una posizione di lavoro invertita aumenta il rischio di lesioni e non deve essere tenuta.
- Tenere lontane tutte le parti del corpo dalla sega a catena quando è in funzione. Prima di accendere la sega a catena, accertarsi che non sia a contatto con niente. Mentre si lavora con una sega a catena, un momento di distrazione può fare in modo che indumenti o parti del corpo vengano afferrati dalla stessa.
- Spegnerne subito la sega a catena quando si appurano variazioni evidenti nel comportamento del dispositivo.
- Se la sega a catena è entrata in contatto con pietre, chiodi o altri oggetti duri, arrestare subito il motore e sottoporre la catena della sega e la barra di guida ad un controllo per la ricerca di eventuali danni.
- Non fare cadere la sega a catena, non farla sbattere contro ostacoli e non utilizzare mai la barra di guida come leva.
- Utilizzare la sega a catena solo per il taglio del legno.
- Quando si taglia un ramo sottoposto a tensione, tenere conto che questo scatta indietro. Quando le fibre di legno vengono liberate dalla tensione, il ramo teso può colpire l'operatore e/o è possibile perdere il controllo della sega a catena.

- Prestare particolare attenzione quando si taglia il sottobosco e alberi giovani. Il materiale sottile potrebbe restare impigliato nella catena della sega e colpirti, oppure potrebbe farvi perdere l'equilibrio.

## 7.7 Vibrazioni

### AVVISIO

Evitare eventuali rischi da vibrazioni, ad es. la possibile sindrome del dito bianco (detta anche "Fenomeno di Raynaud", che comporta problemi di vascolarizzazione) effettuando pause di lavoro frequenti, durante le quali si possono ad es. sfregare i palmi delle mani tra loro.

- Indossare sempre scarpe antinfortunistiche e tenere calde le mani.
- Fare attenzione al fatto che la catena risulta sempre affilata.
- Effettuare pause di lavoro regolari.

## 7.8 Misure preventive contro possibili contraccolpi

### AVVISIO

Fare attenzione ai contraccolpi del dispositivo durante il lavoro. Sussiste il pericolo di lesioni. Evitare contraccolpi prestando attenzione e utilizzando correttamente la sega dal punto di vista tecnico.

- In alcuni casi, il contatto con la punta della barra può provocare una reazione inaspettata all'indietro, durante la quale la barra di guida può essere spinta verso l'alto e in direzione dell'operatore.
- Il contraccolpo può verificarsi quando la punta della barra di guida tocca un oggetto o quando il legno si piega e la catena della sega si blocca durante il taglio.
- Se la catena della sega si incastra in corrispondenza del bordo superiore della barra di guida, la sega a catena può arretrare rapidamente e in modo incontrollato nella direzione di comando.
- Se la catena della sega si incastra in corrispondenza del bordo inferiore della barra di guida, la sega a catena può allontanarsi rapidamente e in modo incontrollato dalla direzione di comando.
- Prestare estrema attenzione se si utilizza la catena della sega per continuare l'operazione di segatura a taglio già iniziato.
- Non segare rami o pezzi di legno che potrebbero cambiare la loro posizione durante il processo di segatura o per i quali il taglio si chiude nel corso del processo di segatura.

- Ognuna di queste reazioni può fare perdere il controllo della sega e provocare possibili gravi lesioni. Non affidarsi esclusivamente ai dispositivi di sicurezza integrati nella sega. In qualità di utilizzatore di una sega a catena, occorre adottare svariate misure, in modo da lavorare senza subire lesioni né incidenti.

Un contraccolpo è la conseguenza di un utilizzo errato o improprio. È possibile evitarlo adottando le dovute misure preventive, come di seguito descritto:

- Tenere saldamente con entrambe le mani la sega a catena, circondando con i pollici e le dita la relativa impugnatura. Posizionare il corpo e le braccia in modo tale da poter resistere ai contraccolpi. Se si adottano le dovute misure, l'operatore può controllare i contraccolpi. Non mollare mai la sega a catena.
- Evitare una posizione del corpo insolita e non segare sopra l'altezza delle spalle. In questo modo, è possibile evitare di toccare involontariamente oggetti con la punta della barra e migliorare il controllo della sega a catena in situazioni inattese.
- Utilizzare sempre barre di ricambio e catene per seghe prescritte dal produttore. Guide e catene di ricambio non appropriate possono portare allo strappo della catena della sega e/o al contraccolpo.
- Attenersi alle istruzioni del produttore per affilare la catena della sega e per eseguire i relativi interventi di manutenzione. Limitatori di profondità troppo bassi aumentano il rischio di contraccolpi.
- Non segare con la punta della lama. Sussiste il pericolo di contraccolpi. (fig. 7)
- Accertarsi che nell'area di taglio non siano presenti chiodi o pezzi metallici. Fare attenzione in particolare a chiodi o pezzi di ferro nei dintorni dell'area di taglio. Prestare attenzione anche all'atto del taglio di legna dura, durante il quale la catena può impigliarsi, dando origine a contraccolpi.
- Iniziare a tagliare a piena potenza e tenere sempre la sega a catena alla massima velocità durante il taglio.
- Assicurarsi che non siano presenti oggetti sul fondo, sui quali è possibile inciamparsi.

## 7.9 Comportamento e tecnica di lavoro

- Lavorare solo in condizioni di buona visibilità e luce. Fare particolare attenzione al terreno scivoloso, al bagnato, al ghiaccio e alla neve (pericolo di scivolamento). Sussiste un elevato rischio di scivolare sulla legna appena scortecciata (corteccia).
- Non lavorare mai su sottofondi instabili. Fare attenzione agli ostacoli nel luogo di lavoro, pericolo di inciampare. Occorre assicurarsi costantemente di mantenere una posizione stabile.
- Non segare mai oltre l'altezza delle spalle.
- Non segare mai in piedi su scale.

- Non salire mai su un albero per eseguire lavori con la sega a catena senza gli appositi sistemi di ritenuta per persone e macchina. Si consiglia di effettuare le operazioni sempre da una piattaforma di lavoro.
- Non lavorare piegati troppo in avanti.
- Adoperare la sega a catena in modo tale da evitare che parti del corpo si trovino nel raggio di rotazione prolungato della catena della sega.
- Con la sega a catena è possibile segare solo del legno.
- Non toccare il suolo con la sega a catena in funzione.
- Pulire l'area di taglio da corpi estranei come sabbia, pietre, chiodi ecc. I corpi estranei danneggiano il dispositivo di segatura e possono causare contraccolpi (kickback) pericolosi o essere scagliati lontano.
- Quando si sega il legname da taglio utilizzare un supporto sicuro (se possibile un cavalletto di segatura). Non si può tenere ferma la legna con il piede o con un'altra persona.
- Mettere in sicurezza i tondelli di legno per evitare che rotolino via durante il taglio.
- Non lavorare mai senza la battuta dentata, la sega a catena potrebbe trascinare in avanti l'operatore. Utilizzare la battuta dentata per tagliare tronchi d'albero o rami spessi. L'uso della battuta dentata aumenta la sicurezza sul lavoro, riduce lo stress personale durante il lavoro come pure le vibrazioni.
- In caso di tagli di abbattimento e a misura, occorre applicare la barra dentata (battuta dentata) al legno da tagliare. Anche se si devono segare rami spessi si consiglia di utilizzare la barra dentata.
- Prima di ogni taglio a misura, applicare prima in modo saldo la barra dentata, poi segare il legno con la catena della sega in funzione. A tal fine, la sega viene sollevata dalla maniglia posteriore e direzionata dalla maniglia a staffa. La barra dentata funge da punto di rotazione. Proseguire poi esercitando una lieve pressione sulla maniglia a staffa. Tirare leggermente indietro la sega a catena. Applicare la barra dentata più in profondità e sollevare nuovamente la maniglia posteriore.
- Attenzione quando si taglia il legno scheggiato. Pezzi di legno segati possono essere trascinati (pericolo di lesioni).
- Durante il taglio con la parte superiore della guida, è possibile che la sega a catena venga spinta in direzione dell'operatore, se la catena della sega si incastra. Se possibile, si dovrebbe pertanto segare con la parte inferiore della guida, in quanto la sega a catena si muove in allontanamento dal corpo in direzione del legno.
- Occorre tagliare il legno sotto tensione sempre prima sul lato di pressione. Solo successivamente è possibile eseguire il taglio di separazione sul lato di trazione. In questo modo si evita che la guida si incastri.

- Quando si lavora sull'albero, la motosega può cadere e si potrebbero ferire gravemente delle persone e causare danni alle cose. Fissare la motosega tramite il dispositivo di sospensione.
- Prima che la catena della sega entri nell'area di taglio, è possibile che la motosega scivoli via lateralmente o sobbalzi.

## **ATTENZIONE**

### **Elevato rischio di contraccolpi!**

Per mantenere il pieno controllo nel momento della "segatura finale", verso la fine del taglio ridurre la pressione di contatto, senza lasciare la presa salda sulle maniglie della sega a catena. Fare attenzione che la catena della sega non tocchi il terreno. Dopo l'esecuzione del taglio, attendere che la catena della sega si arresti, prima di allontanare la sega dal punto in cui si trova. Spegnerne sempre il motore della sega a catena prima di passare da un albero al successivo.

## **AVVISO**

In caso di utilizzo prolungato, possono presentarsi problemi di vascolarizzazione (fenomeno di Raynaud) in seguito alle vibrazioni nelle mani dell'operatore.

Il fenomeno di Raynaud è un'angiopatia consistente nella costrizione improvvisa dei piccoli vasi sanguigni delle dita delle mani e dei piedi. Le aree interessate non vengono più irrorate di sangue a sufficienza e per questo motivo diventano estremamente pallide. L'utilizzo frequente di dispositivi vibranti può causare danni ai nervi nelle persone che soffrono di problemi di vascolarizzazione (ad es. fumatori, diabetici).

Se si notano delle alterazioni insolite, terminare subito il lavoro e consultare un medico.

Per ridurre i pericoli, osservare le istruzioni qui riportate:

- Tenere il proprio corpo e soprattutto le mani al caldo se fa freddo.
- Fare delle pause ad intervalli regolari e muovere le mani per favorire la vascolarizzazione.
- Ridurre al minimo le vibrazioni della macchina mediante una manutenzione regolare e parti fisse sul dispositivo.

### **7.10 Rischi residui**

## **PERICOLO**

### **PERICOLO DI INFORTUNI!**

Il contatto con la catena della sega può causare lesioni da taglio mortali.

Non inserire mai le mani nella catena della sega in funzione.

### **PERICOLO DI CONTRACCOLPI!**

I contraccolpi possono causare lesioni da taglio mortali.

### **PERICOLO DI USTIONI!**

Durante il funzionamento, la catena e la barra di guida si scaldano.

**L'apparecchio è stato costruito secondo lo stato dell'arte e le regole tecniche di sicurezza riconosciute. Tuttavia, durante il suo impiego, si possono presentare rischi residui.**

Inoltre, nonostante tutte le misure precauzionali adottate, possono comunque venirsi a creare dei rischi residui non evidenti. I rischi residui possono essere minimizzati se si rispettano complessivamente le "Avvertenze di sicurezza", l'"Utilizzo conforme" e le istruzioni per l'uso.

## **8. Dati tecnici**

Macchina senza lama	
Lunghezza x larghezza x altezza	.....270 x 230 x 240 mm
Peso senza carburante, senza utensili di taglio ca.	..... 3,4 kg
Peso senza carburante, con utensili di taglio ca.	..... 3,8 kg
Serbatoio dell'olio lubrificante per la catena	.....0,16 l
Capacità del serbatoio di carburante	.....0,23 l
Miscela di olio e carburante	..... 1:40
Lunghezza di taglio	..... 20 cm
Lunghezza della lama	..... 30 cm
Lubrificazione automatica della catena	.....sì
Passo della catena	..... 3/8" (9,525 mm)
Spessore della maglia della catena	.....1,27 mm
Tipo di catena	..... 3/8LP-40
Numero dei denti della ruota di trasmissione	.....6
Passo dei denti ruota dentata di trasmissione	.....3/8"
Tipo di lama	.....AP10-40-509P
Velocità della catena max.	.....21 m/s
Motore	..... 1 cilindro, 2 tempi raffreddamento ad aria
Cilindrata del motore	..... 25,4 cm <sup>3</sup>
Potenza max del motore secondo ISO 7293	..... 0,7 kW
Velocità di minimo n <sub>0</sub>	.....3300 ± 300 min <sup>-1</sup>
Numero di giri massimo con organi di taglio	..... 11000 min <sup>-1</sup>
Candela di accensione	.....L8RTC

**Il livello di pressione sonora deve venire ridotto a seconda dell'utilizzo e delle attività da compiere in modo da non danneggiare la salute dell'operatore. Il livello di pressione sonora sul luogo di lavoro non può superare gli 80 dB. In tal caso è necessario adottare provvedimenti di protezione dal rumore per l'operatore (ad es. otoprotettori).**

#### **Ridurre al minimo le vibrazioni e l'emissione sonora!**

- Utilizzare soltanto apparecchi che si trovano in uno stato perfetto.
- Eseguire regolarmente la manutenzione e la pulizia dell'apparecchio.
- Adattare il proprio modo di lavorare all'apparecchio.
- Non sovraccaricare l'apparecchio.
- Far eventualmente controllare l'apparecchio.
- Spegnerne l'apparecchio quando non viene utilizzato.
- Indossare un paio di guanti.

Livello di pressione acustica misurato $L_{pA}$ .....	99,2 dB
Incertezza $K_{pA}$ .....	3 dB
Livello di potenza acustica garantito $L_{WA}$ .....	113 dB
Livello di potenza sonora misurato $L_{WA}$ .....	108,7 dB
Incertezza $K_{WA}$ .....	3 dB

Vibrazione, impugnatura anteriore .....	8,98 m/s <sup>2</sup>
Vibrazione, impugnatura posteriore .....	8,03 m/s <sup>2</sup>
Incertezza .....	1,5 m/s <sup>2</sup>

#### **Indossare degli otoprotettori.**

L'esposizione al rumore può provocare la perdita dell'udito.

I valori delle emissioni sonore indicati sono stati misurati con un metodo di prova standardizzato e possono essere utilizzati per confrontare un apparecchio con un altro.

I valori delle emissioni sonore indicati possono essere utilizzati anche per una prima valutazione del carico.

#### **Avviso:**

- I valori delle emissioni sonore possono differire dai valori specificati durante l'uso effettivo dell'apparecchio a seconda del modo in cui esso viene utilizzato e, in particolare, del tipo di pezzo da lavorare.
- Provare a mantenere il carico il più basso possibile. Provvedimento di esempio: la limitazione del tempo di lavoro. A tal fine è necessario prendere in considerazione tutte le parti del ciclo di lavoro (per esempio, i tempi in cui l'apparecchio rimane spento, e quelli in cui, è acceso, ma in assenza di carico).

## **9. Prima della messa in funzione**

1. Aprire l'imballaggio ed estrarre con cautela l'apparecchio.
2. Rimuovere il materiale d'imballaggio nonché le staffe di sicurezza per il trasporto e l'imballaggio (se presenti).
3. Controllare se il contenuto della fornitura è completo.
4. Controllare l'apparecchio e gli accessori per rilevare l'eventuale presenza di danni dovuti al trasporto.
5. Ove possibile, conservare l'imballaggio fino alla scadenza della garanzia.
6. Rimuovere la guida rapida sul cavo di avviamento (8).

#### **ATTENZIONE**

L'apparecchio e il materiale di imballaggio non sono giocattoli per bambini! I bambini non devono giocare con i sacchetti di plastica, pellicole e piccole parti! Sussiste il pericolo di ingerimento e soffocamento!

### **9.1 Montaggio della barra di guida (2) e della catena della sega (1)**

#### **⚠ AVVISIO**

#### **Pericolo di lesioni!**

Indossare sempre guanti di protezione quando si tocca la catena della sega (1). Pericolo di lesioni a causa dei denti di taglio appuntiti!

Utilizzare solo le combinazioni ammesse di catena della sega (1) e barra di guida (2) (vedere il capitolo "Utensili di taglio consentiti").

Eseguire il montaggio sempre a motore spento.

#### **Indicazione**

Una catena della sega (1) nuova tende ad allungarsi e deve essere tesa più di frequente. Controllare regolarmente la tensione della catena e regolarla.

A seconda dell'usura è possibile girare la barra di guida (2).

1. Posizionare la sega a catena su un fondo stabile e piano.
2. Tirare la protezione delle mani anteriore (3) all'indietro fino all'arresto per rilasciare il freno della catena. (fig. 2)
3. Rimuovere i due dadi di fissaggio (16) con la chiave per candele (20).
4. Rimuovere la copertura della ruota dentata (17).
5. Ruotare verso sinistra la vite di messa in tensione della catena (23) (in senso antiorario) finché il perno di messa in tensione della catena (26) non raggiunge la battuta di destra (vedere fig. 3). Utilizzare a tal fine il cacciavite per viti con testa a intaglio (20).



6. Fare scivolare il foro allungato della barra di guida (2) sopra i due bulloni di bloccaggio sporgenti (29).
7. Posizionare la catena della sega (1) sopra la dentatura della ruota dentata (27). Introdurre la catena della sega (1) in modo perfetto nella direzione indicata sulla barra di guida (2). Sulla punta della barra di guida (2) è presente una ruota di guida (30), nella cui dentatura va inserita la catena della sega (1). (fig. 6 e 18)
8. Tirare leggermente sulla barra di guida (2) per tendere leggermente la catena della sega (1) in via preliminare.
9. Riapplicare la copertura della ruota dentata (17). Assicurarsi che la spina elastica della catena (26) si adatti nel relativo foro della barra di guida (2). Regolare all'occorrenza la vite di messa in tensione della catena (23) con il cacciavite per viti con testa a intaglio (20).
10. Avvitare i due dadi di fissaggio (16) con la mano. Assicurarsi però che non sia stretti ancora completamente. I dadi di fissaggio (16) vengono serrati solo dopo aver teso la catena della sega (1).

## 9.2 Tendere e controllare la catena della sega (1)

### **AVVISO**

Indossare guanti di protezione! Pericolo di lesioni a causa dei denti di taglio appuntiti!

Verificare regolarmente la tensione della catena prima di ogni messa in funzione.

Eseguire sempre i controlli prima dell'avviamento e a motore spento.

1. Prima di tenderla, occorre allentare leggermente i due dadi di fissaggio (16) con la chiave per candele (20).
2. Ruotare la vite di messa in tensione della catena (23) con il cacciavite a intaglio (20) in senso antiorario per aumentare la tensione.
3. Stringere bene i due dadi di fissaggio (16) con la chiave per candele (20).
4. La catena della sega (1) deve poggiare sul lato inferiore della lama. Controllare che la catena della sega (1) (con freno della catena allentato, tirare all'indietro la protezione anteriore della mano (3)) possa essere tirata manualmente sulla barra di guida (2).

## **AVVERTENZA**

Una catena della sega (1) nuova tende ad allungarsi e deve essere tesa più di frequente.

## 9.3 Miscelare il carburante

Il motore deve essere azionato con una miscela di benzina e olio motore.

### **AVVISO**

Evitare il contatto diretto della pelle con il carburante e l'inhalazione dei vapori di carburante.

Utilizzare solo una miscela di benzina senza piombo (min. 95 ottani) e di olio speciale per motori a 2 tempi (JASO FD/ISO - L - EGD). Realizzare la miscela di carburante come da tabella di miscelazione del carburante.

Inserire sempre la quantità corretta di benzina ed olio per motore a 2 tempi all'interno del serbatoio di miscelazione in dotazione (22) (vedere "Tabella di miscelazione del carburante"). Scuotere poi bene il contenitore di miscelazione (22).

### 9.3.1 Tabella di miscelazione del carburante

**Procedura di miscelazione: 40 parti di benzina per 1 parte di olio**

**Benzina ..... Olio per motore a 2 tempi  
0,5 litri..... 12,5 ml**

## 9.4 Riempimento del carburante (fig. 8)

### **AVVISO**

Rabboccare con carburante solo a motore spento e freddo. Sussiste il pericolo di incendio!

1. Pulire sempre l'area attorno al tappo del serbatoio del carburante (13) prima del riempimento, affinché non penetri sporco all'interno del serbatoio stesso. Utilizzare a tale proposito un panno asciutto privo di pelucchi.
2. Posizionare il dispositivo su un lato, in modo che il tappo di riempimento del carburante (13) punti verso l'alto.
3. Ruotare il tappo del serbatoio del carburante (13) in senso antiorario e aprirlo. Il tappo del serbatoio del carburante (13) è collegato mediante un fermo di sicurezza e non può dunque cadere.
4. Riempire il serbatoio con la miscela di carburante. Non rovesciare del carburante durante il rifornimento e non riempire il serbatoio del carburante fino all'orlo.
5. Raccogliere subito il carburante versato.
6. Ruotare il tappo del serbatoio del carburante (13) in senso orario per chiuderlo.

## **AVVERTENZA**

Controllare dopo ogni rabbocco con carburante anche il livello dell'olio della catena.

## 9.5 Scaricare il carburante

**Svuotare il serbatoio del carburante solo all'aperto o in locali con ventilazione adeguata. Assicurarsi che il carburante non penetri in alcun modo nel terreno (tutela ambientale). Utilizzare un supporto adeguato.**

1. Tenere un contenitore di raccolta sotto il serbatoio del carburante.
2. Svitare il tappo del serbatoio del carburante (13) e rimuoverlo.
3. Fare uscire la miscela benzina/olio completamente.
4. Stringere di nuovo a mano il tappo del serbatoio del carburante (13).

## 9.6 Riempimento dell'olio per la catena (fig. 8)

### **AVVISO**

Rabboccare con olio per la catena della sega solo a motore spento e freddo. Sussiste il pericolo di incendi!

Non lavorare mai senza lubrificazione della catena! In caso di funzionamento a secco della catena della sega (1), gli utensili da taglio subiscono in breve tempo danni irreparabili.

Prima di iniziare il lavoro, controllare sempre la lubrificazione della catena.

### **AVVERTENZA**

Utilizzare esclusivamente olio per catene di sega. Preferibilmente biodegradabile. Non utilizzare olio usato, olio motore etc.

Controllare durante il lavoro se la lubrificazione della catena funziona.

1. Pulire sempre l'area attorno al tappo del serbatoio dell'olio della catena (11) prima del riempimento, affinché non penetri sporco all'interno del serbatoio stesso. Utilizzare a tale proposito un panno asciutto privo di pelucchi.
2. Posizionare l'apparecchio su un lato, in modo che il tappo dell'olio della catena (11) punti verso l'alto.
3. Ruotare il tappo del serbatoio dell'olio della catena (11) in senso antiorario e aprirlo. Il tappo del serbatoio della catena (11) è collegato mediante un fermo di sicurezza al serbatoio stesso e non può dunque cadere.
4. Riempire il serbatoio dell'olio con olio per catena biologico. Non rovesciare dell'olio per catene durante il rifornimento e non riempire il serbatoio dell'olio per catene fino all'orlo.
5. Raccogliere subito l'olio per catene versato.
6. Ruotare il tappo del serbatoio dell'olio della catena (11) in senso orario per chiuderlo.

## 10. Messa in funzione

### **CAUTELA**

Attenersi alle norme di legge della disposizione sull'inquinamento acustico.

Controllare l'apparecchio prima di ogni messa in funzione:

- Tenuta del sistema del carburante
- Stato impeccabile ed integrità dei dispositivi di protezione e del dispositivo di taglio
- Posizionamento corretto di tutti i collegamenti a vite
- Mobilità di tutte le parti in movimento

### **Istruzioni di lavoro**

Prima dell'impiego, prendere dimestichezza con la gestione della sega a catena.

## 10.1 Avvio del motore

### **ATTENZIONE**

Prima dell'avvio del motore, allontanarsi di almeno 3 metri dal luogo di rifornimento (fig. 9).

Tirare sempre il cavo di avviamento (8) in modo dritto. Tenere stretta la maniglia del cavo di avviamento (8) se il comando stesso (8) tende a rientrare. Non lasciare che il cavo di avviamento (8) scatti all'indietro.

Dopo l'avvio del motore, rilasciare immediatamente la leva dell'acceleratore (5). Assicurarsi che il numero di giri del motore sia sceso al minimo prima di rilasciare il freno della catena (spingere la protezione delle mani anteriore (3) all'indietro). Tirare in fuori la leva di avvio a freddo (valvola dell'aria) (14) solo per l'avvio.

### 10.1.1 Avvio a freddo del motore

#### **AVVISO**

Inserire il freno della catena prima di ogni messa in funzione (premere la protezione delle mani anteriore (3) in avanti).

#### **ATTENZIONE**

Non lasciare mai che il comando a cavo di avviamento (8) scatti all'indietro. Questo può provocare dei danni.

1. Togliere la copertura della barra di guida (21).
2. Posizionare la sega a catena su un fondo stabile e piano. La catena della sega (1) non deve toccare terra.

3. Spingere la protezione delle mani anteriore (3) in avanti fino a quando non si innesta. La catena della sega (1) viene bloccata dal freno della catena.
4. Premere 7 volte sulla pompa del carburante "Primer" (4). (fig. 1)
5. Portare l'interruttore ON/OFF (15) su "ON". (fig. 1)
6. Tirare in fuori la leva di avvio a freddo (valvola dell'aria) (14). (fig. 10.2)
7. Tenere la sega a catena dall'impugnatura anteriore (12) ed estrarre lentamente il cavo di avviamento (8) fino a quando non si avverte una prima resistenza.
8. Tirare a quel punto in un colpo il cavo di avviamento (8) fino all'avvio del motore. Se il motore non si avvia, ripetere il processo. Per il tempo in cui la leva di avvio a freddo (valvola dell'aria) (14) resta estratta, il motore funziona solo per breve tempo e si spegne subito dopo.
9. Quando il motore è spento, azionare insieme il blocco della leva dell'acceleratore (7) e la leva dell'acceleratore (5) stessa. La leva di avvio a freddo (starter) (14) ritorna automaticamente in posizione operativa "Avviamento a caldo". (fig. 10.1)
10. A questo punto tirare di nuovo rapidamente il cavo di avviamento (8) fino all'avvio del motore.

Se il motore non si avvia nemmeno dopo molteplici tentativi, leggere il capitolo "Risoluzione dei guasti".

## AVVERTENZA

In caso di temperature elevate può avvenire che anche a motore freddo l'avviamento debba essere effettuato senza leva di avvio a freddo (valvola dell'aria) (14).

- Allentare il freno della catena tirando all'indietro la protezione delle mani anteriore (3). (fig. 2)
- **CAUTELA!** Il freno della catena è a questo punto rilasciato. Se si aziona la leva dell'acceleratore (5) insieme al blocco della leva dell'acceleratore (7), la catena della sega (1) si mette in moto.

### 10.1.2 Avvio a caldo del motore (L'apparecchio è rimasto fermo per meno di 15-20 minuti.)

#### **AVVISO**

Inserire il freno della catena prima di ogni messa in funzione (premere la protezione delle mani anteriore (3) in avanti).

1. Spingere la protezione delle mani anteriore (3) in avanti fino a quando non si innesta. La catena della sega (1) viene bloccata dal freno della catena.

2. Portare l'interruttore ON/OFF (15) su "ON".
3. La leva di avvio a freddo (valvola dell'aria) (14) non deve essere tirata per l'avvio del motore caldo.
4. Tenere la sega a catena dall'impugnatura anteriore (12) ed estrarre lentamente il cavo di avviamento (8) fino a quando non si avverte una prima resistenza.
5. Tirare ora rapidamente il cavo di avviamento (8). Il dispositivo dovrebbe avviarsi dopo 1-2 colpi. Se il dispositivo continua a non partire dopo 6 colpi, ripetere il processo riportato alla sezione "Avvio a freddo del motore".

## 10.2 Spegnimento del motore

### 10.2.1 Sequenza di arresto d'emergenza

Se è necessario arrestare subito l'apparecchio, posizionare l'interruttore ON/OFF (15) su "OFF". (fig. 1)

### 10.2.2 Sequenza normale

1. Rilasciare la leva dell'acceleratore (5). Il motore passa in velocità di funzionamento al minimo.
2. Portare l'interruttore OFF/OFF (15) su "OFF". (fig. 1)

## 10.3 Esercizio in marcia al minimo

### **ATTENZIONE**

Al minimo la catena della sega (1) deve essere ferma.

## AVVERTENZA

Se la catena della sega (1) si muove a vuoto o il motore si spegne da solo quando si abbassa il gas, occorre eseguire una regolazione del carburatore (vedere capitolo "Impostazione delle regolazioni del carburatore").

1. Sollevare la sega della catena.
2. Tenere stretta l'impugnatura anteriore (12) con la mano sinistra.
3. Tenere stretta l'impugnatura posteriore (6) con la mano destra. In questo caso il palmo della mano appoggia sul blocco della leva dell'acceleratore (7) e il dito indice aziona la leva dell'acceleratore (5).
4. Dopo aver azionato una volta la leva dell'acceleratore (5) il motore si avvia in posizione di minimo.
5. Lasciare riscaldare il motore per breve tempo, facendolo funzionare.

## 10.4 Controllare la lubrificazione della catena e regolarla

### ⚠ ATTENZIONE

- Non lavorare mai senza lubrificazione della catena! In caso di funzionamento a secco della catena della sega (1), gli utensili da taglio subiscono in breve tempo danni irreparabili.
- Prima di iniziare il lavoro, controllare sempre la lubrificazione della catena.

### Indicazione

Utilizzare esclusivamente olio per catene di sega, preferibilmente biodegradabile. Non utilizzare olio usato, olio motore etc.

Tenere la sega della catena in funzionamento, a un numero di giri medio, sopra un ceppo segato o un supporto adatto. Se la lubrificazione è sufficiente, si forma un leggero strato di olio sul ceppo o sul supporto.

- Se necessario, è possibile aumentare o ridurre la lubrificazione della catena mediante la vite di regolazione dell'olio (32) (fig. 11).
- Utilizzare in tal caso il cacciavite per viti con testa a intaglio in dotazione (20):
  - Premere prima e poi ruotare la vite di regolazione dell'olio (32) in senso orario, per ridurre la lubrificazione della catena.
  - Premere prima e poi ruotare la vite di regolazione dell'olio (32) in senso antiorario, per aumentare la lubrificazione della catena.

## 10.5 Controllare la frena della catena

### ⚠ AVVISO

Occorre controllare il freno della catena prima di ogni messa in funzione.

Il freno della catena frena immediatamente la catena della sega (1) in caso di un contraccolpo.

1. Assicurarsi che la protezione per le mani anteriore (3) sia priva di sporco e possa muoversi facilmente.
2. Avviare la sega a catena e accelerare la catena (1) fino alla velocità massima (pieno regime).
3. Con catena della sega (1) in movimento azionare la protezione delle mani anteriore (3). Il freno della catena deve frenare la catena della sega (1) alla velocità massima e bloccarla.

### ⚠ AVVISO

Un numero di giri elevato per un lungo lasso di tempo e con freno della catena bloccato danneggia il motore e l'azionamento della catena.

Qualora la catena della sega (1) continuasse comunque a muoversi, contattare il servizio clienti.

## 11. Utilizzo

### 11.1 Lavori di sramatura

- Fare particolare attenzione al pericolo di rami che presentano contraccolpi.
- Non stare sul tronco durante la sramatura.
- Non segare con la punta della barra. (fig. 7)
- Non segare più rami in una volta.
- Sorreggere la sega a catena durante la sramatura quanto più possibile con la battuta dentata (24).
- Assicurarsi che alla fine del taglio la sega a catena può voltarsi a causa del suo peso proprio. Non viene più supportata nel taglio; tenerla dunque premuta in modo adeguato.
- Assumere una posizione fissa, stabile e sicura durante la sramatura.

#### 11.1.1 Lavori di sramatura in più sezioni parziali

Accorciare i rami lunghi o spessi prima di eseguire il taglio di separazione finale. La catena della sega (1) può altrimenti incastrarsi facilmente.

#### 11.1.2 Lavorazione di legno sottoposto a tensione

Occorre rispettare categoricamente la sequenza di lavorazione corretta del legno sotto tensione. In caso contrario la catena della sega (1) può incastrarsi e generare un contraccolpo.

Occorre tagliare il legno sotto tensione sempre prima sul lato di pressione. Solo successivamente è possibile eseguire il taglio di separazione sul lato di trazione. (fig. 24)

In questo modo si evita che la catena della sega (1) si incastri.

### ⚠ ATTENZIONE

#### Danni materiali!

Il legno posto in orizzontale non può toccare il terreno dalla parte inferiore del punto di taglio, per evitare che la catena della sega (1) subisca dei danni.

#### Rinculo

- Se la catena della sega (1) si incastra in corrispondenza del bordo superiore della barra di guida (2), la sega a catena può arretrare rapidamente e in modo incontrollato nella direzione di comando.

## Trascinamento

- Se la catena della sega (1) si incastra in corrispondenza del bordo inferiore della barra di guida (2), la sega a catena può allontanarsi rapidamente e in modo incontrollato dalla direzione di comando.

## Lavorare in sicurezza

- Tenere il dispositivo in un buon stato di utilizzo per prevenire le lesioni.
- Dopo un'eventuale caduta accidentale del dispositivo, controllare la presenza di danni e difetti su di esso.
- Non utilizzare il dispositivo in piedi su scale o in una posizione instabile.
- Non procedere a tagli sconsiderati. Questo potrebbe mettere in pericolo se stessi e gli altri.
- Cambiare regolarmente la propria posizione di lavoro. Un utilizzo prolungato del dispositivo può provocare problemi di vascolarizzazione delle mani legati alle vibrazioni. Si può tuttavia prolungare la durata di utilizzo mediante guanti adatti o pause regolari. Fare attenzione al fatto che la predisposizione personale alla scarsa vascolarizzazione, le basse temperature esterne o le grandi forze di attrito durante il lavoro riducono la durata di utilizzo.

### 11.2 Il tronco è piegato verso il basso

1. Praticare per prima cosa il taglio di scarico 1 (circa 1/3 del diametro del tronco) sul lato di pressione.
2. Eseguire poi il taglio di scarico 2 (circa 2/3 del diametro del tronco) sul lato di trazione.

### 11.3 Il tronco è piegato verso l'alto

1. Praticare per prima cosa il taglio di scarico 1 (circa 1/3 del diametro del tronco) sul lato di pressione.
2. Eseguire poi il taglio di scarico 2 (circa 2/3 del diametro del tronco) sul lato di trazione.

### 11.4 Uso della sega per arboricoltura per il taglio di alberi in combinazione con le tecniche di sollevamento con corda

La presente appendice presenta metodi di lavoro appropriati per ridurre il pericolo di lesioni derivanti dall'uso di seghe a catena per arboricoltura quando si lavora in altezza con corda e tracolla di trasporto. Sebbene essa possa servire come guida e lettura di formazione, non dovrebbe essere considerata come alternativa alla formazione formale. Le indicazioni fornite nella presente appendice sono solo un esempio di modalità operative ottimali.

Sono applicabili norme nazionali o di altro tipo che potrebbero essere più severe.

L'utente di una sega a catena per arboricoltura, che lavora in altezza con corda e tracolla di trasporto, non dovrebbe mai lavorare da solo, bensì dovrebbe essere presente per assistere un operatore a terra con formazione nelle misure di emergenza appropriate.

L'utente dovrebbe essere addestrato nelle tecniche generali di arrampicata e posizionamento di lavoro sicure, e dovrebbe essere dotato di tracolla di trasporto, corda, imbracatura, moschettoni e altro equipaggiamento atto a mantenere posizioni di lavoro sicure e corrette sia per se stesso che per la sega. Occorre attenersi sempre rigorosamente alle leggi e disposizioni nazionali.

La presente appendice non tratta delle tecniche di controllo dei rami e dei ramoscelli tagliati dalla sega a catena, né contiene i punti già trattati per un uso sicuro.

#### 11.4.1 Requisiti generali

L'utente di una sega a catena per arboricoltura, che lavora in altezza con corda e tracolla di trasporto, non dovrebbe mai lavorare da solo, bensì dovrebbe essere presente per assistere un operatore a terra con formazione nelle misure di emergenza appropriate.

L'utente dovrebbe essere addestrato nelle tecniche generali di arrampicata e posizionamento di lavoro sicure, e dovrebbe essere dotato di tracolla di trasporto, corda, imbracatura, moschettoni e altro equipaggiamento atto a mantenere posizioni di lavoro sicure e corrette sia per se stesso che per la sega.

#### 11.4.2 Preparazione prima dell'uso della sega per arboricoltura sull'albero

La sega a catena deve essere controllata, rifornita, avviata e riscaldata dall'operaio a terra e quindi spenta prima di essere tirata su verso l'utente sull'albero.

La sega a catena deve essere dotata di un'imbracatura in modo che possa essere fissata alla tracolla di trasporto dell'utente (fig. 13):

- L'imbracatura deve essere fissata al dispositivo di sospensione (19) situato sul retro della sega (fig. 12).
- Devono essere previsti moschettoni idonei a consentire il fissaggio indiretto (cioè attraverso l'imbracatura) e diretto (cioè al dispositivo di sospensione della sega a catena (19)) della sega alla tracolla di trasporto dell'utente.
- Accertarsi che la sega a catena sia fissata in modo sicuro quando viene tirata su verso l'utente (fig. 14).
- Verificare che la sega a catena sia agganciata alla tracolla di trasporto prima di staccarla dalla fune di sollevamento.

Grazie alla possibilità di agganciare la sega a catena direttamente alla tracolla di trasporto, si riduce il rischio di danneggiare l'equipaggiamento durante i movimenti attorno all'albero. Spegnere sempre la sega a catena quando è fissata direttamente alla tracolla di trasporto.

La sega a catena deve essere agganciata esclusivamente ai dispositivi di sospensione consigliati presenti sulla tracolla di trasporto. Essi possono essere collocati al centro (davanti o dietro) oppure sui lati. Ove possibile, la sega a catena deve essere fissata al punto centrale posteriore centrato della tracolla di trasporto per tenerla lontana dalle corde da arrampicata e per assorbire il peso nel mezzo sotto la colonna vertebrale dell'utente.

Quando la sega a catena viene spostata da un qualunque dispositivo di sospensione all'altro, l'utente deve accertarsi che questa sia fissata in modo sicuro nella nuova posizione prima di sganciarla dal dispositivo di sospensione precedente.

### 11.5 Uso della sega a catena sull'albero

Un'analisi degli incidenti avvenuti durante i lavori di taglio degli alberi con queste seghe a catena dimostrano che la causa principale è l'utilizzo improprio con una sola mano della sega. Nella maggior parte degli incidenti, gli utenti non assumono una posizione di lavoro sicura che consenta loro di tenere la sega da entrambe le maniglie, con conseguente aumento del pericolo di lesioni a causa di:

- mancanza di una presa salda in caso di contraccolpo della sega a catena.
- mancanza di controllo della sega a catena, quindi può cadere più facilmente che entri in contatto con le corde da arrampicata e con il corpo dell'utente (specialmente con il braccio e la mano sinistri).
- perdita di controllo a causa di una posizione di lavoro non sicura e quindi contatto con la sega a catena (movimenti imprevisti durante il lavoro con la sega a catena).

### 11.6 Posizione di lavoro sicura con uso a due mani

Affinché la sega a catena possa essere tenuta con entrambe le mani, gli utenti dovrebbero sempre cercare di assumere una posizione di lavoro sicura che permetta di tenere la sega come segue:

- all'altezza dei fianchi quando si segano pezzi orizzontali.
  - all'altezza dello stomaco quando si segano pezzi verticali.
- Se l'utente lavora vicino al tronco verticale con basse forze laterali rispetto alla posizione di lavoro, un supporto sicuro per il piede può essere sufficiente per una posizione di lavoro sicura.

Tuttavia, non appena gli utenti si allontanano dal tronco, devono adottare misure aggiuntive per ridurre o contrastare le crescenti forze laterali, ad esempio deviando la fune principale tramite un dispositivo di sospensione aggiuntivo o utilizzando un'imbracatura regolabile che va dalla cintura a un dispositivo di sospensione aggiuntivo (fig. 15 e 16).

### 11.6.1 Avvio della sega per arboricoltura sull'albero

All'avvio della sega a catena sull'albero, l'utente deve:

- azionare il freno della catena prima dell'avvio (premere la protezione delle mani anteriore (3) in avanti).
- tenere la sega a catena a destra o a sinistra del corpo durante l'avvio:
  - tenendo la sega sul lato sinistro con la mano sinistra sulla maniglia anteriore e tenendo la sega lontano dal corpo mentre si tiene la corda di avvio nella mano destra.
  - tenendo la sega sul lato destro con la mano destra su una delle due maniglie e tenendo la sega lontano dal corpo mentre si tiene la corda di avvio nella mano sinistra.

Il freno della catena deve essere sempre attivato prima che la sega a catena in funzione venga abbassata sulla sua fune di trasporto.

Prima di iniziare lavori di taglio difficili, l'utente deve sempre accertarsi che la sega a catena abbia un livello sufficiente di carburante.

### 11.6.2 Uso della sega a catena con una mano

Gli utenti non dovrebbero usare seghe a catena per arboricoltura con una sola mano in posizioni di lavoro instabili o al posto di una sega a mano per tagliare punte di rami di piccolo diametro.

Le seghe a catena per arboricoltura possono essere utilizzate con una sola mano soltanto se

- a. non è possibile per l'utente assumere una posizione di lavoro che consenta di tenere la sega con entrambe le mani.
- b. è necessario fissare la posizione di lavoro con una mano.
- c. la sega a catena viene utilizzata in posizione completamente distesa, ad angolo retto rispetto ed esternamente a una linea relativa al corpo dell'utente.

Gli utenti non devono mai:

- utilizzare la sega con l'area del contraccolpo sulla punta della barra di guida (2) della sega a catena.
- tenersi al ramo che stanno segnando.
- cercare di afferrare parti che cadono.

### 11.6.3 Sblocco di una sega a catena inceppata

Se la sega a catena si blocca durante il taglio, l'utente deve:

1. Spegnerla la sega a catena e fissarla saldamente all'interno dell'albero (cioè verso il tronco dell'albero) o a una corda per attrezzi separata.
2. Estrarre la sega a catena dalla tacca mentre si solleva il ramo per quanto necessario.
3. All'occorrenza, utilizzare una sega a mano o una seconda sega a catena per liberare la sega a catena incastrata effettuando un taglio a una distanza di almeno 30 cm dalla sega a catena incastrata.

Indipendentemente dal fatto che venga utilizzata una sega a mano o una sega a catena per liberare una sega a catena incastrata, i tagli per liberare la sega a catena devono sempre essere fatti all'esterno (verso la punta dei rami) in modo che la sega a catena non venga trascinata con le parti segate e complichino ulteriormente la situazione.

## 12. Trasporto

- Utilizzare sempre la copertura della barra di guida (21) durante il trasporto.
- Spegnerla la sega a catena prima del trasporto, anche su percorsi brevi. Mettere in sicurezza la macchina durante il trasporto (anche all'interno di veicoli) per evitare ribaltamenti, perdite di carburante, danni o lesioni.
- Attivare il freno della catena (premere la protezione delle mani anteriore (3) in avanti).
- Trasportare l'apparecchio solo tirandolo dalla maniglia anteriore (12). La barra di guida (2) punta in questo caso all'indietro, lontana dal corpo.
- Tenere il silenziatore caldo (18) lontano dal corpo. Sussiste il pericolo di ustioni! (Fig. 23)

## 13. Pulizia e manutenzione

### AVVISO

#### Pericolo di lesioni!

Spegnerla sempre l'apparecchio prima di lavori di pulizia ed estrarre la pipetta della candela (35).

(Vedere il capitolo 13.4, Manutenzione della candela di accensione (34)).

#### Indicazione

Dopo ogni utilizzo, si dovrebbe pulire con cura il dispositivo.

Eseguire le operazioni di pulizia e manutenzione solo come indicato nelle presenti istruzioni per l'uso. Le operazioni supplementari devono essere svolte da personale specializzato.

Eseguire regolarmente le operazioni di manutenzione (vedere il capitolo "Intervalli di manutenzione").

### 13.1 Pulizia dell'unità motore

#### AVVISO

#### Pericolo di ustione!

Non toccare il silenziatore caldo, il cilindro o le alette di raffreddamento.

- Mantenere i dispositivi di sicurezza, le feritoie di ventilazione e l'alloggiamento del motore il più possibile privi di polvere e di sporcizia. Pulire soffiando con aria compressa a bassa pressione.
- Pulire regolarmente l'apparecchio con un panno umido e del detergente. Assicurarsi che non possa penetrare acqua all'interno dell'apparecchio.

### 13.2 Pulizia del filtro dell'aria (33) (fig. 17)

Filtri dell'aria sporchi riducono la potenza del motore a causa di un afflusso di aria troppo ridotto al carburatore.

È dunque essenziale un controllo regolare. Il filtro dell'aria (33) dovrebbe essere controllato regolarmente e pulito all'occorrenza.

In caso di aria con grande tenore di polvere, controllare più spesso il filtro dell'aria (33).

1. Allentare la chiusura per la copertura del filtro dell'aria (10) ruotando in senso antiorario.
2. Rimuovere la copertura del filtro dell'aria (9).
3. Prelevare il filtro dell'aria (33).
4. Pulire il filtro dell'aria (33) battendo o soffiando su di esso (con aria compressa).

Il montaggio avviene seguendo la procedura inversa.

#### ATTENZIONE

Non pulire mai il filtro dell'aria (33) con benzina o solventi infiammabili.

### 13.3 Pulizia dell'azionamento della catena

#### AVVISO

#### Pericolo di lesioni!

Indossare sempre guanti di protezione quando si tocca la catena della sega (1). Pericolo di lesioni a causa dei denti di taglio appuntiti!

## Indicazione

Pulire l'azionamento della sega dopo ogni uso.

1. Posizionare la sega a catena su un fondo stabile e piano.
2. Tirare la protezione delle mani anteriore (3) all'indietro fino all'arresto per rilasciare il freno della catena. (fig. 2)
3. Ruotare la vite di messa in tensione della catena (23) con il cacciavite a intaglio (20) in senso antiorario per ridurre la tensione.
4. Rimuovere i due dadi di fissaggio (16) con la chiave per candele (20).
5. Rimuovere la copertura della ruota dentata (17).
6. Rimuovere con cautela la catena della sega (1) dalla barra di guida (2) e dalla ruota dentata (27).
7. Rimuovere la barra di guida (2). Pulirla con un pennello.
8. Pulire a questo punto accuratamente l'area completa di azionamento della catena e la copertura della ruota dentata (17) con un pennello o mediante soffiaggio (con aria compressa).

Il montaggio avviene seguendo la procedura inversa.

## 13.4 Manutenzione della candela di accensione (34) (fig. 19/20)

1. Smontare il filtro dell'aria (33) come descritto al punto 13.2 "Pulizia del filtro dell'aria (33)".
2. Estrarre la pipetta della candela (35), ruotandola verso sinistra e destra e tirandola allo stesso tempo. Tenere e tirare la pipetta della candela (35) esclusivamente dalla spina. Non tirare mai dal cavo!
3. Allentare la candela di accensione (34) con la chiave per candele in dotazione (20).
4. Il montaggio avviene seguendo la procedura inversa.

Distanza degli elettrodi = 0,6 - 0,7 mm (distanza degli elettrodi, tra i quali si genera la scintilla di accensione). Controllare la presenza di sporco sulla candela di accensione (34) una prima volta dopo 10 ore di servizio e pulirla poi all'occorrenza con una spazzola metallica in rame.

Sottoporre poi a manutenzione la candela di accensione (34) ogni 50 ore di servizio.

## 13.5 Manutenzione del sistema di lubrificazione della catena

- Vedere il capitolo "Controllare la lubrificazione della catena e regolarla".

## 13.6 Impostazione delle regolazioni del carburatore

- Se la catena della sega (1) si muove a vuoto o il motore si spegne da solo quando si abbassa il gas, occorre eseguire una regolazione del carburatore.

## Indicazione

Lasciare che sia solo personale specializzato e qualificato a impostare le regolazioni del carburatore (ad es. il numero di giri al minimo), al fine di evitare danni al motore.

## 13.7 Manutenzione della barra di guida (2)

- Rimuovere eventuali bave presenti sul bordo della barra utilizzando una lima metallica.
- Pulire la scanalatura della barra di guida (2) con l'aiuto di un pennello o con aria compressa (fig. 21). Sostituire la barra di guida (2) non appena la scanalatura di guida (28) è usurata.
- Ruotare la barra di guida (2) dopo ogni utilizzo per fare in modo che si usuri in maniera uniforme.
- Controllare la mobilità della ruota dentata (30) sulla punta della barra di guida (2). Lubrificare se necessario con un olio per cuscinetti. Lasciar colare un po' di olio per cuscinetti nell'apertura per il lubrificante (31). (fig. 21)

## 13.8 Controllare la frena della catena

Vedere il capitolo 10.5 "Controllare il freno della catena"

### **AVVISO**

#### **PERICOLO DI CONTRACCOLPI!**

Un freno della catena non funzionante aumenta il rischio di contraccolpo.

Controllare regolarmente il freno della catena.

Un freno della catena funzionante è essenziale per la tua sicurezza.

## 13.9 Tendere e controllare la catena della sega (1)

Vedere il capitolo 9.2. "Tendere e controllare la catena della sega (1)"

## 13.10 Affilatura e cura della catena della sega (1)

### **AVVISO**

#### **Pericolo di lesioni!**

Indossare sempre guanti di protezione quando si tocca la catena della sega (1). Pericolo di lesioni a causa dei denti di taglio appuntiti!



## Indicazione

Una catena della sega (1) curata e affilata in modo ottimale riduce le sollecitazioni sul corpo e l'usura, portando a un buon risultato di taglio.

Pulire, curare e affilare la catena della sega (1) regolarmente.

Controllare regolarmente la presenza di crepe e rivetti danneggiati sulla catena della sega (1).

Si può fissare una smerigliatrice sul relativo supporto per bloccarla durante la smerigliatura.

Utilizzare solo apposite lime rotonde speciali con Ø 4,8 mm (3/16") per la catena della sega (1) inclusa nella fornitura.

All'interno di un kit di affilatura è possibile trovare informazioni dettagliate sul processo di affilatura.

Utilizzare in alternativa uno strumento elettrico per l'affilatura delle catene, attenendosi alle indicazioni del produttore.

In caso di dubbi sull'esecuzione del lavoro, è meglio procedere alla sostituzione della catena della sega (1).

Lasciare eseguire l'affilatura della catena della sega (1) da parte di un'officina specializzata.

- Accessori necessari (non compresi nella fornitura):
  - Lima rotonda per catene di sega Ø 4,8 mm (3/16")
  - Lima piatta
  - Calibro limitatore di profondità

- Limare soltanto con un movimento in avanti per esportare del materiale.
- Limare ad un angolo di limatura di circa 25° con un'angolazione di 10° rispetto alla barra di guida (2).
- Controllare la distanza di limitazione della profondità con l'apposito calibro.
- La distanza corretta del limitatore di profondità dovrebbe essere pari a 0,6 mm (0,024").

## 13.11 Intervalli di manutenzione

Per una durata di vita lunga nonché per evitare danni e per garantire la completa funzione dei dispositivi di sicurezza, è necessario eseguire con regolarità i lavori di manutenzione descritti di seguito. I diritti alla garanzie vengono riconosciuti solo se sono stati effettuati questi lavori con regolarità e in modo corretto. In caso di inosservanza, sussiste il pericolo di incidenti!

Gli utenti delle seghe a catena possono eseguire solo i lavori di manutenzione e cura descritti in queste istruzioni di servizio.

I lavori che esulano da quelli qui descritti possono essere effettuati soltanto da un'officina specializzata.

Informazioni generali	Sega per arboricoltura completa	Pulire all'esterno e controllare l'eventuale presenza di danni. In caso di danni, predisporre subito una riparazione professionale.
	Catena della sega	Eseguire regolarmente le affilature successive, sostituire in modo tempestivo.
	Freno della catena	Fare eseguire regolari controlli da parte di un'officina specializzata
	Barra di guida	Voltare affinché le superfici di scorrimento sotto carico si consumino in modo uniforme. Sostituire per tempo.
Prima di ogni messa in funzione	Catena della sega	Controllare l'eventuale presenza di danni e tagli. Controllare la tensione della catena.
	Barra di guida	Controllare l'eventuale presenza di danni.
	Lubrificazione della catena	Controllo di funzionamento
	Freno della catena	Controllo di funzionamento
	Interruttore ON/OFF, blocco della leva dell'acceleratore, leva dell'acceleratore	Controllo di funzionamento
	Tappo del serbatoio del carburante e dell'olio della catena	Verificare la tenuta.

Ogni giorno	Filtro dell'aria	Pulizia
	Barra di guida	Controllare l'eventuale presenza di danni, pulire i fori di ingresso dell'olio
	Supporto della barra di guida	Pulire, in particolare la scanalatura di guida dell'olio
	Velocità di minimo	Controllare (la catena non deve funzionare)
ogni settimana	Alloggiamento del ventilatore	Pulire per garantire un perfetto convogliamento dell'aria
	Candela di accensione	Controllare e sostituire all'occorrenza
	Silenziatore	Controllare l'eventuale presenza di sollecitazioni
	Supporto della catena	Controllare l'eventuale presenza di danni e sostituire se necessario
	Viti e dadi	Controllare lo stato e il corretto posizionamento
ogni tre mesi	Testa di aspirazione	Sostituire
	Serbatoio del carburante, dell'olio per la catena	Pulizia
Stoccaggio	Sega per arboricoltura completa	Pulire all'esterno e controllare l'eventuale presenza di danni In caso di danni, disporre subito una riparazione professionale
	Catena e guida della catena	Smontare, pulire e lubrificare leggermente Pulire la scanalatura di guida della barra di guida
	Serbatoio del carburante, dell'olio per la catena	Svuotare e pulire
	Carburatore	Fare funzionare a vuoto

### 13.12 Avvertenza importante in caso di riparazione

In caso di restituzione dello strumento per riparazione, tenere presente che lo strumento, per motivi di sicurezza, deve essere rispedito alla stazione di assistenza tecnica senza olio né benzina.

### 13.13 Informazioni sulle riparazioni

Occorre notare che in questo prodotto i seguenti componenti sono soggetti a naturale usura o usura legata all'uso e sono richiesti i seguenti pezzi come materiali di consumo.

Pezzi soggetti a usura\*: catena della sega, barra di guida, olio per la catena, olio per il motore, battuta dentata, perno fermacatena, candela di accensione, filtro dell'aria, filtro del carburante, filtro dell'olio per la catena

\* non necessariamente compreso nell'ambito della fornitura!

### Organi di taglio ammessi

Catena della sega	
Kangxin 3/8LP-40.....	7910100739
Oregon 91P040X.....	3910102032
Barra di guida	
Kangxin AP10-40-509P .....	7910100740
Oregon 100SDEA041 .....	7910100744

## 14. Stoccaggio

La chiave per candele/il cacciavite per viti a intaglio (20) può essere applicato per la conservazione lateralmente sul coperchio della barra di guida (21).

Utilizzare sempre la copertura della barra di guida (21) durante lo stoccaggio.

Per la pulizia e la manutenzione del dispositivo prima di ogni stoccaggio, fare riferimento al capitolo "Pulizia e manutenzione".  
Svuotare completamente il serbatoio dell'olio o del carburante.

## AVVISO

Non rimuovere la benzina in ambienti chiusi, vicino a fiamme libere o fumando. I vapori di gas possono provocare esplosioni o fiamme.

- Avviare il motore e lasciarlo funzionare fino a quando non si è consumata la benzina residua.

Conservare l'apparecchio e i suoi accessori in un luogo buio, asciutto, al riparo dal gelo e non accessibile ai bambini. La temperatura di stoccaggio ideale è compresa tra 5 e 30 °C. Non stoccare né utilizzare la sega a catena a temperature inferiori a 0 °C!

Non stoccare mai una sega a catena per un periodo superiore a 30 giorni senza svolgere i passi seguenti.

Seguire le indicazioni di pulizia e manutenzione prima dello stoccaggio del dispositivo!

### 14.1 Stoccaggio della sega a catena

Se si deve stoccare una sega a catena per un periodo superiore a 30 giorni, occorre predisporre il tutto per fare questo. In caso contrario il carburante residuo presente nel carburatore evapora e lascia un sedimento gommoso. Questo potrebbe rendere difficile l'avvio e comportare costosi lavori di riparazione.

1. Estrarre lentamente il tappo del serbatoio del carburante (13) per rilasciare un'eventuale pressione presente al suo interno. Svuotare con attenzione il serbatoio.
2. Avviare il motore e farlo funzionare fino a quando la sega a catena non si ferma, al fine di rimuovere il carburante dal carburatore.
3. Lasciare raffreddare il motore (circa 5 minuti).
4. Rimuovere la candela di accensione (34).
5. Introdurre 1 cucchiaino di olio pulito per motore a 2 tempi nella camera di combustione. Tirare più volte lentamente il cavo di avviamento (8) per smontare i componenti interni. Reinscrivere la candela di accensione (34).

Stoccare la sega a catena in un locale asciutto e ad una distanza sufficiente da possibili sorgenti di accensione, ad es. forni, boiler dell'acqua calda a gas, asciugatrici a gas, ecc., lontano dalla portata dei bambini.

Fissare sempre il coperchio della barra di guida (21) se la catena della sega (1) e la barra di guida (2) non sono smontate.

### 14.2 Nuova messa in funzione della sega a catena

1. Rimuovere la candela di accensione (34).
2. Tirare rapidamente il cavo di avviamento (8) per rimuovere l'olio in eccesso dalla camera di combustione.
3. Pulire la candela di accensione (34) e osservare la distanza corretta degli elettrodi sulla candela di accensione (34) oppure inserire una nuova candela (34) con distanza degli elettrodi corretta.
4. Predisporre la sega a catena per il funzionamento.
5. Riempire il serbatoio con la miscela corretta di carburante e olio (1:40).

### 14.3 Stoccaggio del carburante

I carburanti si possono immagazzinare solo per periodi limitati. Il carburante e le miscele di carburante invecchiano a causa dell'evaporazione sotto l'influsso di temperature elevate. Il carburante e le miscele di carburante obsolete possono causare problemi di avviamento e danni al motore. Acquistare solo la quantità di carburante che pensi consumare in qualche mese. In caso di alte temperature consumare il carburante miscelato in 6-8 settimane.

**Immagazzinare il carburante in modo sicuro solo in recipienti ammessi, in ambiente asciutto e freddo!**

## AVVISO

### Evitare il contatto con la pelle o gli occhi!

I prodotti con olio minerale, anche gli oli, ingrassano la pelle. In caso di contatto ripetuto e prolungato la pelle si secca. Di conseguenza potrebbero verificarsi diverse malattie della pelle. Inoltre possono rilevarsi reazioni allergiche.

Il contatto dell'olio con gli occhi causa irritazioni. In caso di contatto con gli occhi, sciacquare subito l'occhio coinvolto con acqua pulita. In caso di irritazione persistente rivolgersi immediatamente ad un medico!

## 15. Smaltimento e riciclaggio

### Avvertenze per l'imballaggio



Il materiale d'imballaggio è riciclabile. Si prega di smaltire gli imballaggi nel rispetto dell'ambiente.

**La vostra amministrazione comunale o altri servizi cittadini vi possono fornire informazioni sulle opzioni di smaltimento dell'apparecchio fuori servizio.**

#### **Carburanti e oli**

- Prima dello smaltimento dell'apparecchio, occorre scaricare il serbatoio del carburante e quello dell'olio motore!

- Il carburante e l'olio motore non rientrano nei rifiuti domestici, né possono essere gettati nelle fogne, ma devono essere trattati e smaltiti in modo separato!
- I serbatoi dell'olio e del carburante devono essere smaltiti in modo rispettoso nei confronti dell'ambiente.

## **16. Risoluzione dei guasti**

<b>Guasto</b>	<b>Possibile causa</b>	<b>Rimedio</b>
Il motore non parte oppure parte, ma non continua a funzionare.	Procedimento di avvio errato.	Seguire le indicazioni di questo manuale di istruzioni.
	Miscela del carburatore non dosata correttamente.	Fare regolare il carburatore a un addetto autorizzato del servizio clienti.
	Candela coperta di fuliggine.	Pulire/regolare o sostituire la candela di accensione.
	Filtro del carburante ostruito.	Sostituire il filtro del carburante.
Il motore parte, ma non funziona a piena potenza.	Filtro dell'aria sporco	Rimuovere i filtri, pulirli e reinserirli.
	Miscela del carburatore non dosata correttamente.	Fare regolare il carburatore a un addetto autorizzato del servizio clienti.
Il motore funziona a singhiozzo	Miscela del carburatore non dosata correttamente.	Fare regolare il carburatore a un addetto autorizzato del servizio clienti.
Nessuna potenza sotto carico	Candela di accensione non regolata correttamente.	Pulire/regolare o sostituire la candela di accensione.
Il motore funziona in modo discontinuo	Miscela del carburatore non dosata correttamente.	Fare regolare il carburatore a un addetto autorizzato del servizio clienti.
Quantità eccessiva di fumo.	Miscela di carburante errata.	Utilizzare la miscela di carburante corretta (rapporto 1:40).
Nessuna potenza sotto carico	Catena smussata o lenta	Affilare la catena oppure applicarne una nuova. Tendere la catena.
Il motore si spegne	Serbatoio della benzina vuoto oppure il filtro del carburante nel serbatoio è posizionato in modo errato	Riempire il serbatoio della benzina. Rabboccare completamente il serbatoio della benzina oppure posizionare diversamente il relativo filtro nel serbatoio.
Lubrificazione insufficiente della catena (la lama e la catena si surriscaldano)	Serbatoio dell'olio della catena vuoto	Riempire il serbatoio dell'olio della catena.
	Passaggio dell'olio intasato	Pulire il buco di lubrificazione nella lama. Pulire la scanalatura della lama.

## 17. Certificato di garanzia

### Gentili clienti,

i nostri prodotti sono soggetti ad un rigido controllo di qualità. Se l'apparecchio non dovesse tuttavia funzionare correttamente, ci scusiamo e vi preghiamo di rivolgervi al nostro servizio di assistenza clienti all'indirizzo indicato in questa scheda di garanzia. Siamo a vostra disposizione anche telefonicamente al numero del servizio assistenza sotto indicato. Per la rivendicazione dei diritti di garanzia vale quanto segue:

- Queste condizioni di garanzia regolano ulteriori prestazioni di garanzia. La presente garanzia non tocca i vostri diritti al ricorso di garanzia previsti dalla legge. Le nostre prestazioni di garanzia sono per voi gratuite.
- La prestazione di garanzia riguarda esclusivamente le anomalie riconducibili a difetti del materiale o di produzione ed è limitata all'eliminazione di queste anomalie o alla sostituzione dell'apparecchio. Tenete presente che i nostri apparecchi non sono stati costruiti per l'impiego professionale, artigianale o industriale. Un contratto di garanzia non viene concluso quando l'apparecchio viene usato in imprese commerciali, artigianali o industriali, o con attività equivalenti. Dalla nostra garanzia sono escluse inoltre le prestazioni di risarcimento per danni dovuti al trasporto o danni causati dalla mancata osservanza delle istruzioni per il montaggio o per installazione non corretta, dalla mancata osservanza delle istruzioni per l'uso (come per es. collegamento a tensione di rete o tipo di corrente non corretto), dall'uso improprio o illecito (come per es. sovraccarico dell'apparecchio o utilizzo di utensili o accessori non consentiti), dalla mancata osservanza delle norme di sicurezza e di manutenzione, dalla penetrazione di corpi estranei nell'apparecchio (come per es. sabbia, pietre o polvere), dall'impiego della forza o dall'influsso esterno (come per es. danni dovuti a caduta) e dall'usura normale e dovuta all'impiego.

Il diritti di garanzia decadono quando sono già effettuati interventi sull'apparecchio.

- Il periodo di garanzia è 3 anni e inizia alla data d'acquisto dell'apparecchio. I diritti di garanzia devono essere fatti valere prima della scadenza del periodo di garanzia, entro due settimane dopo avere accertato il difetto. È esclusa la rivendicazione di diritti di garanzia dopo la scadenza del relativo periodo. La riparazione o la sostituzione dell'apparecchio non comporta una proroga del periodo di garanzia e con questa prestazione per l'apparecchio o per pezzi di ricambio eventualmente installati non inizia un nuovo periodo di garanzia. Questo vale anche nel caso si ricorra ad un servizio sul posto.
- Per la rivendicazione dei vostri diritti di garanzia, vi preghiamo di rivolgervi all'indirizzo di assistenza sotto indicato. Se il reclamo perviene entro il periodo di garanzia, sarà messa a vostra disposizione una bolla di reso con la quale potrete restituire gratuitamente l'apparecchio difettoso. Indicate il motivo di reclamo nel modo più dettagliato possibile. Se il difetto dell'apparecchio rientra nella nostra prestazione di garanzia, ricevete l'apparecchio riparato o un apparecchio nuovo a stretto giro di posta.

Naturalmente effettuiamo a pagamento anche riparazioni sull'apparecchio che non rientrano o non rientrano più nella garanzia. A tale scopo inviate l'apparecchio all'indirizzo del servizio assistenza.

La prestazione in garanzia vale per difetti del materiale o di fabbricazione. Questa garanzia non si estende a componenti del prodotto esposti a normale logorio, che possono pertanto essere considerati come componenti soggetti a usura (esempio capacità della batteria, calcificazione, lampade, pneumatici, filtri, spazzole...). La garanzia non si estende altresì a danni che si verificano su componenti delicati (esempio interruttori, batterie, parti realizzate in vetro, schermi, accessori vari) nonché danni derivanti dal trasporto o altri incidenti.

**Numero servizio assistenza (IT):**

00800 4003 4003

(0,00 EUR/Min.)

**Indirizzo e-mail (IT):**

service.IT@scheppach.com

**Indirizzo servizio assistenza (IT):**

TeleMarCom

Am Ziegelweiher 24

DE - 61130 Nidderau

**Service-Hotline (CH):**

00800 4003 4003

(0,00 €/Min.)

**Service-Email (CH):**

service.CH@scheppach.com

**Service-Adresse (CH):**

Klaus-Häberling AG

Industriestraße 6

CH - 8610 Uster



Su [www.lidl-service.com](http://www.lidl-service.com) è possibile scaricare questo e molti altri manuali, video di prodotti e software di installazione.

Con il codice QR si accede direttamente alla pagina di assistenza di Lidl ([www.lidl-service.com](http://www.lidl-service.com)) ed è possibile consultare le istruzioni per l'uso desiderate inserendo il numero di articolo (IAN) 403506\_2204.



---

1.	A készüléken található szimbólumok magyarázata.....	246
2.	Használati útmutató.....	247
3.	Bevezetés.....	248
4.	A készülék leírása.....	248
5.	Szállított elemek.....	248
6.	Rendeltetésszerű használat.....	249
7.	Biztonsági utasítások.....	249
8.	Műszaki adatok.....	254
9.	Üzembe helyezés előtt.....	255
10.	Üzembe helyezés.....	257
11.	Alkalmazás.....	259
12.	Szállítás.....	261
13.	Tisztítás és karbantartás.....	261
14.	Tárolás.....	264
15.	Ártalmatlanítás és újrahasznosítás.....	265
16.	Hibaelhárítás.....	266
17.	Jótállási tájékoztató.....	267
18.	Robbantott ábra.....	398
19.	Megfelelőségi nyilatkozat.....	400

## 1. A készüléken található szimbólumok magyarázata

	Olvassa el, értelmezze és kövesse az összes figyelmeztetést.		A készülék használata előtt olvassa el a teljes kezelési útmutatót.
	Figyelmeztetés! Visszacsapás (kickback) veszélye. Óvakodjon a láncfűrész visszacsapásától, és ne érjen a láncvezető sín csúcsához.		A készüléket tilos esőben vagy nedves körülmények között üzemeltetni.
	Viseljen védőszemüveget. Viseljen hallásvédőt.		Viseljen védősisakot!
	Mindig viseljen munkavédelmi anti-vibrációs kesztyűt, ha a készüléket használja.		Mindig viseljen csúszásmentes biztonsági lábbelit vágásvédelemmel, ha a készüléket használja.
	Fontos, hogy a lábfejet, lábszárat, kézfejet és kart védő védőruházatot viseljen.		A láncfűrész mindig két kézzel kezelje. A láncfűrészrel ne dolgozzon egy kézzel.
	Figyelem! A láncfűrész alkalmazása kötélműszási technikával együtt. Mielőtt megkezdi a munkát, ismerkedjen meg alaposan minden munkavégzési utasítással!		Nyílt láng használata a munkavégzési területen tilos!
	Üzemanyag betöltőnyílása. Olaj- és üzemanyag-keverék 1:40		Forgásirány
	Olajtartályzár lánckenő olajhoz		A láncfék beállítása: Fehér nyíl: Nem aktív láncfék Fekete nyíl: aktív láncfék
	Hidegindító kar (szívató)		Láncfék kioldása
	Láncfék aktiválása		A fűrészlánc beszerelésének iránya
	A lánckenés beállítása		A készülék garantált hangteljesítményszintje.



	<p>Figyelem! Forró alkatrészek.</p>	 <p>push primer 6 times</p> <p>Nyomja meg 6-szer az üzemanyag-szivattyú „Primer” gombját.</p>
<p><b>VESZÉLY</b></p>	<p>Ez a jelzőszó olyan közvetlenül fenyegető veszélyes helyzetre utal, amely súlyos sérülést vagy halálos balesetet okoz, ha nem kerülik el.</p>	
<p><b>FIGYELMEZTETÉS</b></p>	<p>Ez a jelzőszó olyan lehetséges veszélyhelyzetre utal, amely súlyos sérülést vagy halálos balesetet okozhat, ha nem kerülik el.</p>	
<p><b>VIGYÁZAT</b></p>	<p>Ez a jelzőszó olyan lehetséges veszélyhelyzetre utal, amely csekélyebb vagy könnyebb sérülést okozhat, ha nem kerülik el.</p>	
<p><b>MEGJEGYZÉS</b></p>	<p>Ez a jelzőszó olyan lehetséges veszélyhelyzetre utal, amely anyagi járt okozhat a termékben vagy más vagyontárgyakban/tulajdonban, ha nem kerülik el.</p>	

## 2. Használati útmutató

### FIGYELMEZTETÉS:

**Az első üzembe helyezése előtt figyelmesen olvassa el ezt a kezelési útmutatót, és feltétlenül kövesse a biztonsági előírásokat! A favágó fűrész kizárólag a következő személyek kezelhetik: favágó fűrész-kezelők, akik kiegészítő képzést végeztek az emelő- és létrakosarak illetve a kötélmászási technikát illetően.**

**Gondosan őrizze meg az üzemeltetési útmutatót!**

### Megjegyzés:

**Kérjük, vegye figyelembe, hogy a gép használatát korlátozhatja néhány nemzeti előírás.**



Ezt a favágó fűrészét kifejezetten faápolásra és a fák gyógyvágására tervezték. A favágó fűrészszel való minden munkálatot kifejezetten faápolásra és a fák gyógyvágására szántak. A favágó fűrészszel végzendő bármilyen munkálatokat kizárólag képezett favágó fűrész-kezelők végezhetik!

### 3. Bevezetés

#### GYÁRTÓ:

**Schepach GmbH**

Günzburger Straße 69

D-89335 Ichenhausen

#### KEGDVES ÜGYFELÜNKI!

Sok örömet és sikert kívánunk új készüléke használatához.

#### MEGJEGYZÉS:

E gép gyártója a hatályos termékfelelősségi törvény szerint nem felelős a gépen esett vagy a gép által okozott károkért a következő esetekben:

- szakszerűtlen kezelés,
- a kezelési útmutatót be nem tartása,
- harmadik fél által végzett illetéktelen javítás,
- nem eredeti pótalkatrészek beépítése és cseréje,
- nem rendeltetésszerű használat.

#### Vegye figyelembe a következőket:

A szerelés és üzembe helyezés előtt olvassa el a kezelési útmutató teljes szövegét.

Kezelési útmutatónkból megismerheti készülékét, és elsajátíthatja a rendeltetésszerű használatához szükséges ismereteket.

A kezelési útmutató fontos információkat tartalmaz arról, hogyan dolgozhat a géppel biztonságosan, szakszerűen és gazdaságosan, hogyan előzheti meg a baleseteket, csökkentheti a javítási költségeket és az időkieséseket, és növelheti a gép megbízhatóságát és élettartamát.

A jelen kezelési útmutató biztonsági rendelkezésein túl feltétlenül tartsa be az országában a készülék üzemeltetésével kapcsolatosan érvényes előírásokat is.

A szennyeződés és nedvesség ellen műanyag tokba csomagolt kezelési útmutatót tartsa a készülék közelében. Munkába állás előtt minden kezelő olvassa el, és gondosan tartsa be előírásait.

A gépen csak olyan személyek dolgozhatnak, akiket betanítottak a készülék használatára, és megismertettek az előforduló veszélyforrásokkal. Tartsa be a kezelők minimális életkorára vonatkozó rendelkezést.

A jelen kezelési útmutató biztonsági rendelkezésein és országában a készülék üzemeltetésére vonatkozó előírásokon túl feltétlenül tartsa be az azonos kialakítású gépek üzemeltetésére vonatkozó általánosan elismert műszaki szabályokat is. Nem vállalunk felelősséget az olyan balesetekért vagy károkért, amelyek azért keletkeznek, mert nem vették figyelembe a jelen útmutatót és a biztonsági utasításokat.

### 4. A készülék leírása

1. Fűrészlánc
2. Vezetősín
3. Első kézvédő
4. Üzemanyag-szivattyú „primer”
5. Gázkar
6. Hátsó markolat
7. Gázkar zárja
8. Berántó zsinór
9. Légszűrőfedél
10. A légszűrőfedél zárja
11. Lánckenő olaj tartályának zárókupakja
12. Első markolat
13. Üzemanyagtartály zárókupakja
14. Hidegindító kar (szívató)
15. Be-/kikapcsoló
16. Rögzítőanyák
17. Lánckerék burkolata
18. Hangtompító
19. Felfüggesztő berendezés
20. Gyertyakulcs / lapos csavarhúzó
21. A vezetősín borítása
22. Keverőedény
23. Láncceszítő csavar
24. Karmos ütköző
25. Lánccfogó
26. Láncceszítő csap
27. Lánckerék
28. Vezetőhorony
29. Rögzítőcsapszegek
30. Fogaskerék
31. Kenőnyílás
32. Olajsabályzó csavar
33. légszűrő
34. Gyújtógyertya
35. Gyertyapipa
36. Szívófej

### 5. Szállított elemek

- Favágó fűrész
- Fűrészlánc
- Vezetősín
- A vezetősín borítása
- Gyertyakulcs / lapos csavarhúzó
- Keverőedény

## 6. Rendeltetészerű használat

Ez a készülék különösen könnyű, könnyen kezelhető, belső markolattal rendelkező favágó fűrész. A favágó fűrész kifejezetten fák gyógyvágására és ápolására fejlesztették ki. Ezeket a favágó fűrészeket kizárólag a következő személyek kezelhetik: favágó fűrész-kezelők, akik kiegészítő képzést végeztek az emelő- és létrakosarak illetve a kötélvezetési technikát illetően.

Alkalmanként vékony fa, gyümölcsfák ápolása, ágak levágása és darabolása esetén is alkalmazhatók.

Tűzfák kizárólag akkor dolgozhatók fel vele, ha a fa átmérője nem haladja meg a vágáshosszt (20 cm).

Ehhez a munkálatokhoz egy hosszú markolattávolságú illetve vágáshosszú, hagyományos, motoros fűrész ajánlott használni.

Ki nem használhatja a készüléket:

Olyan személyek, akik nem ismerik a kezelési útmutatót, 16 éves kor alatti gyermekek, valamint olyan személyek, akik alkohol, kábítószer, gyógyszer hatása alatt állnak, fáradtak vagy betegek.

A készülék rendeltetészerű használata kizárólag fa fűrészelését foglalja magában. A gyártó nem vállal felelősséget azokért a károkért, amelyeket a nem rendeltetészerű használat vagy a helytelen kezelés okoz.

Csak a rendeltetésének megfelelően használja a készüléket. Minden ettől eltérő használat nem rendeltetészerűnek minősül. Az ebből fakadó minden kárért és sérülésért nem a gyártó, hanem a felhasználó/kezelő viseli a felelősséget.

A rendeltetészerű használat része a biztonsági utasítások betartása, valamint a kezelési útmutatóban foglalt szerelési és üzemeltetési utasítások betartása is.

A készüléket kezelő és karbantartó személyeknek ismerniük kell a készüléket, és tájékozottnak kell lenniük a lehetséges veszélyekről.

Ezenfelül a lehető leghigorúbban be kell tartani a baleset-megelőzési előírásokat.

Vegye figyelembe a további általános érvényű munkaegészségügyi és biztonságtechnikai szabályokat is.

Ha a készüléken módosítást hajt végre, az ebből eredő károkért a gyártó semmilyen felelősséget nem vállal.

Kérjük, vegye figyelembe, hogy készülékeinket rendeltetésük szerint nem kisipari, kéziipari vagy ipari használatra tervezték. A készülékre semmilyen garanciát nem vállalunk, ha kisipari, kéziipari vagy ipari, valamint ezekkel egyenértékű tevékenységekhez használja.

### ⚠ VESZÉLY

E gép gyártója a hatályos termékfelelősségi törvény szerint nem felelős a gépen esett vagy a gép által okozott károkért a következő esetekben:

- nem eredeti pótkatrészek beépítése és cseréje,
- a biztonsági alkotóelemek eltávolítása vagy módosítása.

### 6.1 Nem rendeltetészerű használat

- Ez a készülék kivágási használatra nem alkalmas.
- Ne használja a vezetősínt karként, fatörzsek vagy hasonló mozgására.
- 20 cm-t meghaladó átmérőjű fákat tilos fűrészelni vele.

## 7. Biztonsági utasítások

### 7.1 Általános megjegyzések

#### ⚠ FIGYELMEZTETÉS

Mindig legyen éber, figyeljen oda arra, amit csinál, és ésszel dolgozzon a készülékkel. Ne használja a készüléket, ha beteg vagy fáradt, illetve ha kábítószer, alkohol vagy gyógyszerek befolyása alatt áll. A készülék használata során egy pillanatnyi figyelmetlenség is súlyos sérüléseket okozhat.

Kerülje a helytelen használatot, a gépet mindig a „Rendeltetészerű használat” részben leírtak szerint használja.

A kezelési útmutató fontos megjegyzéseket tartalmaz arra vonatkozóan, hogy hogyan dolgozhat a láncfűrészrel biztonságosan és szakszerűen, valamint hogyan kerülheti el a veszélyeket.

Ha mégis blokkolás lép fel a vágandó anyag és a fűrészlánc között, akkor azonnal kapcsolja ki. Várja meg, hogy a fűrészlánc leálljon. Távolítsa el a gyertyapipát és egyen fel vágásállól kesztyűt a blokkolás eltávolításához. Ha el kell távolítani a vezetősínt (vezetőlemezt), kövesse az „Összeszerelés” fejezetben található utasításokat. A blokkolás elhárítása és az újbóli összeszerelés után próbaüzemet kell végezni.

Ha eközben vibrációt vagy mechanikus zajokat tapasztal, hagyja abba a munkálatokat és forduljon egy meghatalmazott szervizponthoz. Ha ez a veszély gyakrabban lép fel, újbóli képzést ajánlunk.

- Az első üzembe helyezés előtt olvassa el a készülék üzemeltetési útmutatóját, különös tekintettel a biztonsági utasításokra.
- A készüléken elhelyezett figyelmeztető és utasításokat tartalmazó táblák fontos megjegyzésekkel szolgálnak a veszélytelen üzemeltetéshez.
- Az üzemeltetési útmutatóban foglalt megjegyzések mellett figyelembe kell venni a törvényileg szabályozott általános biztonsági és balesetmegelőzési előírásokat is.
- A csomagolófóliát tartsa távol gyermekektől, mert fulladásveszélyt okozhat!
- A nem kellően tájékozott kezelők a szakszerűtlen használat folytán veszélyeztethetik saját magukat és más személyeket. A kezelő felelős a többiek biztonságáért.
- A munkálatok megkezdése előtt ellenőrizze a gázkar működését. Az elengedése után automatikusan üresjáratú helyzetbe kell álljon.
- Egyhuzamban ne dolgozzon a készülékkel 10 percnél hosszabb ideig. Javasoljuk, hogy az egyes munkamennetek között tartson 10 - 20 perc szünetet.
- A készüléket csak olyanoknak adja kölcsön, akik kellő tapasztalattal rendelkeznek a készülékkel kapcsolatban. Ilyen esetben adja át az üzemeltetési útmutatót is.
- Bonyos vágási feladatok különös képzettséget és speciális készségeket igényelnek. Ha bármilyen kétsége van, forduljon szakemberhez.
- A tapasztalatlan felhasználóknak betanításban kell részesülniük, hogy megismerjék a készülék tulajdonságait. Biztonsága érdekében arra kérjük, vegyen részt állami szervezésű fűrészkészítő tanfolyamon.
- Ha nem használja, úgy állítsa le a készüléket, hogy senkit ne veszélyeztessen. Biztosítsa illetéktelen hozzáférés ellen.
- A készülék kezelője felelős minden olyan balesetért és veszélyért, mely más személyeket vagy azok tulajdonát érinti.
- A láncfűrész nem használható gyermek és csökkent fizikai, érzékelési vagy szellemi képességű személyek. Kivételt képeznek a 16 év fölötti, képzésben részt vevő fiatalok, tapasztalt szakember felügyelete mellett.
- A készülék elektromos gyújtása csekély elektromágneses mezőt gerjeszt. Ha Ön szívritmus-szabályzóval vagy hasonló implantátummal rendelkezik, a készülék használata előtt az esetleges kockázatokat elkerülendő érdeklődjön orvosánál.
- Vegye figyelembe, hogy a helytelenül végzett karbantartás, a nem megfelelő pótalkatrészek használata, vagy a biztonsági berendezések eltávolítása, illetve módosítása a készülék károsodásával járhat, és a kezelő személy súlyos sérülését okozhatja.

## 7.2 Egyéni védőfelszerelés (EVE)

### VESZÉLY

Mindig viseljen egyéni védőfelszerelést (PPE), például fára mászáshoz alkalmas szemvédőt (szemellenző vagy védőszemüveg), fej-, kéz-, láb- és lábfejedőt!

- Viseljen arcvédővel vagy védőszemüveggel felszerelt, hallásvédővel rendelkező munkavédelmi sisakot.
- Viseljen vágás elleni védőbetéttel ellátott, szűk védőruházatot.
- Viseljen csúszásmentes munkavédelmi cipőt.
- Viseljen védőkesztyűt.

■ Kerülje a laza ruházat viselését, amely beakadhat.

■ Ne viseljen sálát, nyakkendőket és ékszereket!

■ Ha hosszú a haja, használjon hajhálót!

■ Az erdőben végzett mindenfajta munka során viseljen munkavédelmi sisakot. Ez védelmet biztosít a lehulló ágak ellen. Rendszeresen ellenőrizze, nem sérült-e meg a munkavédelmi sisak. Ezt legkésőbb 5 év elteltével le kell cserélni. Csak bevizsgált munkavédelmi sisakot használjon.

■ Az arcvédő, illetve a védőszemüveg távol tartja a forgácsokat és faszilánkokat. A megsérülések elkerülése érdekében a készülékkel végzett munka során mindig viseljen arcvédőt vagy védőszemüveget.

■ Mindig viseljen hallásvédőt. A készülék által kibocsátott zaj halláskárosodást okozhat.

■ Viseljen erős, ellenálló anyagból készült védőkesztyűt, például bőrkesztyűt.

■ Száraz fa fűrészelésekor viseljen porvédő maszkot. Ilyenkor fűrészpör képződhet.

■ A fán végzett munka során a felhasználó leeshet. A felhasználó súlyosan megsérülhet vagy meghalhat. Viseljen leesés elleni védőfelszerelést.

## 7.3 Tárolás és szállítás

■ Szállítás előtt mindig kapcsolja ki a láncfűrész, akkor is, ha csak rövid szakaszon szállítja. Kapcsolja be a láncfűrész, és tegye fel a láncvédőt.

■ A szállítás és a tárolás során használja a láncvédőt.

■ Szállítás közben (járművön is) biztosítsa a gépet felborulás ellen, hogy elkerülje az üzemanyag kifolyását, valamint a károk és sérülések bekövetkezését.

■ A készüléket csak az első markolatnál fogva hordozza. A vezetőin ilyenkor hátrafelé, a testével ellenkező irányba mutasson.

■ A forró hangtompítót tartsa távol a testétől. Égési sérülések veszélye áll fenn!

■ Tárolás előtt tisztítsa meg a láncfűrész, és végezzen rajta karbantartást.

■ A készüléket száraz és biztonságos helyen tárolja. Biztosítsa illetéktelen hozzáférés ellen.

## 7.4 Környezeti biztonság

- A nemzeti és / vagy önkormányzati szabályozások korlátozhatják a zajt keltő motoros készülékek használati idejét. Érdeklődjön ezzel kapcsolatban a helyben illetékes hatóságnál.
- A készüléket nem szabad beltérben vagy más, rosszul szellőző területen üzemeltetni. A mérgező kipufogógáz/kenőolajpára miatt fulladásveszély áll fenn.
- Csak nappali fényben dolgozzon.
- Szintén ne dolgozzon kedvezőtlen időjárási feltételek mellett, pl. esőben vagy szélben. Ilyenkor fokozott balesetveszély áll fenn.
- Tartsa tisztán és rendben a munkaterületet.
- A munkavégzés során tartsa távol a gyermekeket, más személyeket és állatokat. Ha elvonják a figyelmét, elvezítheti az uralmat a készülék felett.
- A munka megkezdése előtt bizonyosodjon meg arról, hogy a veszélyes területen nem tartózkodnak más személyek vagy állatok, illetve nincsenek veszélyben anyagi értékek.
- Ne dolgozzon drótkerítés mellett, vagy olyan területen, ahol laza, régi huzalok találhatóak.
- Ha gyúlékony környezetben, pl. száraz fűben dolgozik, állítson készenlétbe tűzoltó készüléket. Tűzveszély áll fenn!

## 7.5 Töltősn be üzemanyagot

- A benzin nagyon könnyen gyúlékony. A tankolás során tartson távolságot a nyílt lángtól, és ne dohányozzon. Tűzveszély áll fenn!
- Ügyeljen arra, hogy ne fröcskölje ki a benzint. A benzin és a lánckenő olaj nem juthat a talajba. Segítségként használjon megfelelő alátétet.
- Csak jól szellőző helyiségben tankoljon. A benzingőz könnyen meggyulladhat vagy felrobbanhat.
- Tankolás előtt kapcsolja ki a motort, és hagyja kihűlni a készüléket. Ha kiömlött a benzin, azonnal tisztítsa meg az érintett felületeket. Ne kerüljön üzemanyag a ruházatára, ha mégis, azonnal cserélje le.
- Kerülje el, hogy a benzin vagy a kenőanyagok (olaj) a bőrével vagy a szemével érintkezzen.
- Ne lélegezze be a benzingőzőket/a kenőolaj páráját.
- Ügyeljen a tömítetlenségekre. Ha kifolyt a benzin, ne indítsa be a motort. Égési sérülések veszélye áll fenn.
- Óvatosan nyissa ki a tanksapka zárját, hogy a fennálló túlnyomás lassan távozhasson, és ne fröcsköljön ki a benzin.

## 7.6 Üzembe helyezés előtt

### ▲ FIGYELMEZTETÉS

A felülvizsgálatokat mindig az üzembe helyezés előtt végezze el, amikor a motor ki van kapcsolva.

Minden használat előtt ellenőrizze a készülék üzembiztos állapotát, illetve akkor is, ha a padlóra ejtette.

Ellenőrizze, hogy valamennyi mozgó alkatrész kifogástalanul működik-e. Számos balesetet a rosszul karbantartott szerzők okoznak. A sérült alkatrészeket képzett szakemberrel javíttassa meg.

A láncfűrész és tartozékait csak az itt olvasható utasításoknak megfelelően használja. Közben vegye figyelembe a munkafeltételeket és a végrehajtandó feladatot is. Ha a motoros szerzőt a tervezett alkalmazástól eltérően használja, az veszélyes helyzetet teremthet.

- Rendszeresen ellenőrizze a láncfék működőképességét (elülső kézvédő, lásd a 2. ábrát).
- Ellenőrizze, hogy helyesen van-e felszerelve a vezetősín.
- Ellenőrizze, hogy megfelelő-e a fűrészlánc feszessége. Kövesse a kenésre, a láncfeszítésre és a tartozékok cseréjére vonatkozó utasításokat. A szakszerűtlenül megfeszített vagy kent lánc elszakadhat, vagy növelheti a visszacsapás kockázatát.
- Tartsa élesen és tisztán a vágószerzők. Végezzen rendszeresen utánélezést, és időben cserélje le a kopott alkatrészeket. A gondosan ápoltt, éles vágóélekkel rendelkező vágószerzők kevésbé szorulnak be, és könnyebben vezethetők.
- Ellenőrizze, hogy könnyedén mozog-e a gázkar és a gázkar zárja. A gázkart vissza kell térítenie a rugó a kiindulási pozíciójába.
- Ellenőrizze, hogy elegendő üzemanyag és lánckenő olaj van-e a tartályokban.
- Ellenőrizze, hogy tiszták és szárazak-e a markolatok, illetve nincs-e rajtuk olaj vagy szennyeződés.
- Soha ne dolgozzon egyedül. Vészhelyzet esetén mindig legyen valaki a közelben.
- Csak akkor használja a láncfűrész, ha szilárd, biztos és sík talajon áll. Kerülje a rendellenes testtartást. Ha csúszós a talaj, vagy instabil a támaszték (pl. ha létrán áll), elveszítheti az egyensúlyát, vagy elveszítheti az uralmat a láncfűrész felett. Álljon stabilan a lábán, és mindig őrizze meg egyensúlyát. Így váratlan helyzetekben is jobban uralhatja a láncfűrész.
- A láncfűrészrel ne dolgozzon fára felmászva. Ha fára mászva üzemelteti, akkor sérülésveszély áll fenn.
- Soha ne fűrészeljén vállmagasság fölött.

- A láncfűrész jobb kezével mindig a hátsó fogantyúnál, bal kezével mindig az elülső fogantyúnál megfogva tartsa. Ha munka közben fordítva fogja a láncfűrész, az növeli a sérülésveszélyt, ezért nem szabad úgy használni.
- Amikor jár a láncfűrész, minden testrészét tartsa távol a fűrészlánctól. A láncfűrész indítása előtt győződjön meg arról, hogy a fűrészlánc semmivel nem érintkezik. A láncfűrészsel végzett munkálatok során már egy pillanatnyi figyelmetlenség is a ruházat vagy testrészek fűrészlánc általi megragadásához vezethet.
- Azonnal kapcsolja ki a láncfűrész, ha érezhető változásokat tapasztal a készülék viselkedésében.
- Ha a láncfűrész kőhöz, szögkehez vagy egyéb kemény tárgyhoz ért, azonnal állítsa le a motort, és vizsgálja meg a fűrészláncot és a vezetősínt, nem sérült-e meg.
- Ne ejtse le a láncfűrész, ne üsse neki akadályoknak, és ne használja emelőként a vezetősínt.
- A láncfűrészsel csak fát fűrészljen.
- Megfeszített ág vágásakor számoljon azzal, hogy az ág visszazugózik. Ha felszabadul a fa rostjainak feszültsége, a megfeszült ág megütheti a kezelő személyt, és/vagy kitérít a kezéből a láncfűrész.
- Legyen különösen óvatos, amikor aljnövényzetet és fiatal fákat vág. A vékony anyag beakadhat a fűrészláncba, Önnek csapódhat, vagy kibillentheti az egyensúlyából.

## 7.7 Vibrációk

### **▲ FIGYELMEZTETÉS**

Kerülje a rezgés által okozott kockázatokat, pl. a Raynaud-szindróma (keringési zavar) kialakulását gyakori munkaszünetek beiktatásával, amikor pl. egymáshoz dörzsöli a két kezét.

- Mindig viseljen védőkesztyűt, és ügyeljen rá, hogy melegen tartsa a kezét.
- Ügyeljen arra, hogy a lánc mindig éles legyen.
- Rendszeresen tartson szünetet a munkában.

## 7.8 Óvintézkedések a visszacsapódás ellen

### **▲ FIGYELMEZTETÉS**

Munkavégzés közben ügyeljen a készülék visszacsapására. Sérülésveszély áll fenn. A visszacsapás elővigyázattal és helyes fűrészelési technikával kerülhető el.

- Ha a vezetősín csúcsa hozzáér valaminez, az adott esetben váratlan hátrafelé irányuló reakciót válthat ki, amitől a vezetősín felfelé, a kezelő személy irányába csapódik.

- Visszacsapásra akkor fordulhat elő, ha a vezetősín csúcsa egy tárgyhoz ér, vagy ha meghajlik a fa, és a fűrészlánc beszorul a vágatba.
- Ha a fűrészlánc beszorul a vezetősín felső élénél, akkor a láncfűrész hevesen és uralhatatlanul visszazúghat a kezelő irányába.
- Ha a fűrészlánc beszorul a vezetősín alsó élénél, akkor a láncfűrész hevesen és uralhatatlanul elrúghatja magát a kezelőtől.
- Legyen különösen óvatos, amikor a láncfűrész láncát egy korábban megkezdett vágatba vezeti be, hogy tovább fűrészeltze azt.
- Ne fűrészljen olyan ágakat vagy fadarabokat, melyek helyzete megváltozhat a fűrészelési folyamat közben, illetve hogyha a fűrészelési folyamat során bezáródhat a vágat.
- Ezen reakciók mindegyikének következtében elveszítheti a fűrész feletti uralmat, és akár súlyos sérülést is szenvedhet. Ne hagyatkozzon kizárólag a láncfűrészre szerelt biztonsági berendezésekre. A láncfűrész kezelőjeként hozzon különböző intézkedéseket, melyek révén baleset- és sérülésmentesen dolgozhat.

A visszacsapás a nem megfelelő vagy hibás használat következménye. Ez az alábbiakban ismertetett óvintézkedésekkel megelőzhető:

- Fogja szorosan, két kézzel a fűrész, ujjai fogják körbe a láncfűrész fogantyúit. Tartsa testét és karjait olyan helyzetben, hogy képes legyen a visszalökő erő kelfogására. Ha megfelelő intézkedéseket hoz, a kezelő személy uralma alatt tarthatja a visszalökő erőket. Soha ne engedje el a láncfűrész.
- Kerülje a rendellenes testtartásokat, és ne fűrészljen vállmagasság felett. Ezáltal megakadályozhatja, hogy a lap csúcsa véletlenül hozzáérjen valaminez, és a váratlan helyzetekben jobban uralhatja a láncfűrész.
- Mindig a gyártó által előírt pótlapokat és fűrészláncokat használja. Ha nem megfelelő pótlapot és fűrészláncot használ, elszakadhat a fűrészlánc, és/vagy visszacsapás fordulhat elő.
- Tartsa be a gyártó élezéssel és a fűrészlánc karbantartásával kapcsolatos utasításait. A túl alacsony mélységhatároló növeli a visszacsapás lehetőségét.
- Ne fűrészljen a fűrészlap csúcsával. Visszacsapás veszélye áll fenn! (7. ábra)

- Bizonyosodjon meg arról, hogy a vágási tartományban nincsenek szögek vagy fémdarabok. Különösen ügyeljen a vágási tartomány közelében található szögekre és vasdarabokra. Ha kemény fát fűrészel, legyen különösen óvatos, mert beakadhat a lánc. Ilyenkor visszacsapás fordulhat elő.
- A vágást teljes erővel kezdje, és a fűrészelés közben végig tartsa a legmagasabb sebességen a láncfűrész.
- Gondoskodjon arról, hogy a talajon ne heverjenek botlásveszélyt okozó tárgyak.

## 7.9 Munkaviselkedés- és technika

- Csak jó látási körülmények és fények mellett dolgozzon. Különösen figyeljen a csúszó, nedves, jeges és havas felületekre (az elcsúszás veszélye). Frissen lehántott fa (fakéreg) esetén fokozott csúszásveszély áll fenn.
- Soha ne dolgozzon instabil talajon! A munkaállomáson figyeljen az akadályokra: botlásveszély. Folyamatosan figyelni kell a biztos állásra.
- Soha ne fűrészeljen vállmagasság fölött!
- Soha ne fűrészeljen létrán állva!
- Megfelelő, embereknek és gépeknek szánt rögzítőrendszerek nélkül soha szálljon a láncfűrészrel a fára és soha ne végezzen munkálatokat. Ajánlott folyamatosan munkapatformáról végezni a munkálatokat.
- Ne dolgozzon túlságosan előrehajolva.
- A láncfűrész úgy vezesse, hogy ne legyen testrésze a fűrészlánc meghosszabbított fordítási tartományában.
- A láncfűrészrel csak fát fűrészeljen.
- Futó fűrészláncsal ne érintse meg a talajt.
- Tisztítsa meg a vágás területét a homoktól, kövektől, szegektől stb. Az idegen tárgyak megkárosítják a fűrészelő szerkezetet, veszélyes visszacsapást (Kickback) okozhatnak és kirepülhetnek.
- Fűrészáru fűrészeléskor használjon biztonságos támasztékokat (lehetőség szerint fűrészállványt). A fát tilos lábbal rögzíteni, vagy egy másik személy segítségével.
- A farönköket biztosítani kell, hogy ne fordulhassanak el a vágásban.
- Soha ne dolgozzon karmos ütköző nélkül, a láncfűrész előre ránthatja a kezelőt. A karmos ütközőt a fatörzsek vagy a vastag ágak vágásához használja. A karmos ütköző használata növeli a munkabiztonságot, csökkenti a munka közbeni személyes terhelést, a vibrációk pedig csökkennek.
- Fa kivágása vagy darabolása esetén helyezze a fogazott támasztékokat (karmos ütköző) a vágni kívánt fára kell helyezni. A fogazott támaszték használata a vastag ágak szétfűrészélése esetén is ajánlott.

- Minden darabolási vágás előtt helyezze fel stabilan a fogazott támasztékokat, csak ez után fűrészeljen a működésben lévő fűrészláncsal a fába. A fűrész fel kell húzni a hátsó markolatnál és a fogónál kell vezetni. A fogazott támaszték forgáspontként szolgál. Az utána helyezés a fogóra gyakorolt enyhe nyomással történik. Ekkor a láncfűrész kissé vissza kell húzni. Helyezze fel a fogazott támasztékokat mélyebben, és újra húzza fel a hátsó markolatot.
- Legyen óvatos, amikor hasított fát vág. A lefűrészelt fadarabok elsodródhatnak (sérülésveszély).
- A láncfűrész a vágófelsőrésszel való vágáskor a kezelő felé lökődhet, ha a fűrészlánc beszorul. Ezért lehetőleg a vágófelsőrésszel fűrészeljen, mivel a láncfűrésztest a fa felé kell húzni.
- A feszültség alatt álló fadarabnak először mindig a nyomott oldalát kell átvágni. Csak ezt követően szabad elvégezni a hűzásra terhelt oldal átvágását. Így elkerülhető a sín beszorulása.
- Fa megmunkálásakor a motoros fűrész leeshet. Ez súlyos személyi sérüléseket vagy anyagi károkat okozhat. Biztosítsa a motoros fűrész a felfüggesztő berendezés felett.
- Mielőtt a fűrészláncot a vágástartományba vezetné, akkor a motoros fűrész oldalra csúszhat vagy megugorhat.

### FIGYELEM

#### **Fokozott visszacsapásveszély!**

A vágás végéhez közeledve csökkentse a kifejtett nyomást, de továbbra is tartsa szilárdan a markolatokat, hogy az „átvágás” pillanatában uralni tudja a készüléket. Ügyeljen rá, hogy a fűrészlánc ne érintkezzen a talajjal. A vágás végeztével várja meg, amíg leáll a fűrészlánc, mielőtt eltávolítaná a láncfűrész. Mikor átmegegy az egyik fától a másikhoz, mindig kapcsolja ki a láncfűrész motorját.

### FIGYELMEZTETÉS

Hosszabb idejű munkavégzés esetén a vibrációk miatt a kezelő személy kezeiben keringési zavarok (fehér ujj szindróma) léphetnek fel.

A fehér ujj szindróma egy olyan érrendszeri betegség, amelynek során az ujjak és a lábujjak kis véredényei hirtelen összehúzódnak. Az érintett területek nem kapnak megfelelő vérellátást, és emiatt rendkívül sápadtak lesznek. A vibráló készülékek gyakori használata az olyan személyek esetében, akiknek a vérkeringése gyengébb (például dohányosok, cukorbeteg) idegkárosodást okozhat.

Amennyiben szokatlan negatív hatásokat észlel, akkor azonnal fejezze be a munkát és forduljon orvoshoz.

A veszélyek csökkentése érdekében tartsa be az alábbi utasításokat:

- Hideg időjárás esetén tartsa melegen a testét és főleg a kezeit.
- Rendszeresen tartson szünetet és közben mozgassa a kezeit, hogy elősegítse a vérkeringést.
- Rendszeres karbantartással és a készülék rögzített részével gondoskodjon a gép lehető legkisebb mértékű vibrációjáról.

## 7.10 Fennmaradó kockázatok

### ▲ VESZÉLY

#### SÉRÜLÉSVESZÉLY!

A fűrészlánccal való érintkezés halálos vágási sérüléseket okozhat.

Soha ne nyúljon kézzel a mozgó fűrészlánchoz.

#### VISSZACsapás VESZÉLYE!

A visszacsapás halálos vágási sérüléseket okozhat.

#### ÉGÉSI SÉRÜLÉSEK VESZÉLYE!

Üzem közben a lánccal és a vezetősín felhevül.

**A készülék a technika jelenlegi állása és az elismert biztonságtechnikai előírások szerint készült. Használata közben azonban jelentkező kockázatok fennmaradhatnak.**

Ezen kívül a nem nyilvánvaló fennmaradó kockázatok minden elővigyázatosság ellenére sem szüntethetők meg.

Minimálisra csökkenthetők azonban a „Biztonsági utasítások”, a „Rendeltetésszerű használat” és a kezelési útmutató együttes betartásával.

## 8. Műszaki adatok

A gép vezetőlemez nélkül

Hossz x Szélesség x Magasság	.....270 x 230 x 240 mm
Súly üzemanyag és vágófelszerelés nélkül, kb.	.....3,4 kg
Súly üzemanyag nélkül, vágófelszereléssel, kb.	.....3,8 kg
Lánccenő olaj tartálya	.....0,16 l
Üzemanyagtartály térfogata	.....0,23 l
Olaj- és üzemanyag-keverék	.....1:40
Vágáshossz	.....20 cm
Fűrészlánc hossza	.....30 cm

Automatikus lánccenés	.....igen
Lánccszítás	.....3/8" (9,525 mm)
Lánccszemerősség	.....1,27 mm
Láncc típus	.....3/8LP-40
Meghajtó lánccerék fogszáma	.....6
Meghajtó lánccerék fogkiosztása	.....3/8"
Vezetőlemez-típus	.....API0-40-509P
Maximális lánccsebesség	.....21 m/s
Motor	.....1 hengeres, 2 ütemű léghűtéses
Motor lökettérfogata	.....25,4 cm <sup>3</sup>
Max. motorteljesítmény az ISO 7293 szerint	.....0,7 kW
n <sub>0</sub> üresjáratú fordulatszám	.....3300 ± 300 perc <sup>-1</sup>
Maximális fordulatszám vágókészlettel	.....11000 perc <sup>-1</sup>
Gyújtógyertya	.....L8RTC

**A hangnyomásszintet az alkalmazástól és az elvégzendő tevékenységtől függően olyan mértékben kell csökkenteni, hogy a kezelő egészsége ne legyen veszélyeztetve. A munkaállomáson a hangnyomásszint meghaladhatja a 80 dB értéket. Ebben az esetben zajszökkentő intézkedéseket kell foganatosítani a kezelő számára (pl. hallásvédő viselése).**

**Csökkentse minimális szintre a zajképződést és a vibrációt!**

- Csak kifogástalan állapotban lévő eszközöket használjon.
- Rendszeresen végezze el a készülék karbantartását és tisztítását.
- Munkamódszerét igazítsa a készülékhez.
- Ne terhelje túl a készüléket.
- Szükség szerint ellenőriztesse a készüléket.
- Kapcsolja ki a készüléket, ha nem használja.
- Viseljen kesztyűt.

L <sub>PA</sub> mért hangteljesítményszint	.....99,2 dB
K <sub>PA</sub> bizonytalanság	.....3 dB
Garantált hangteljesítményszint L <sub>WA</sub>	.....113 dB
L <sub>WA</sub> mért hangteljesítményszint	.....108,7 dB
K <sub>WA</sub> bizonytalanság	.....3 dB

Elülső fogantyú vibrációja	.....8,98 m/s <sup>2</sup>
Hátsó fogantyú vibrációja	.....8,03 m/s <sup>2</sup>
Bizonytalanság	.....1,5 m/s <sup>2</sup>

#### Viseljen hallásvédőt.

A zaj következtében hallásvesztésre kerülhet sor.



A megadott zajkibocsátási értékek mérése szabványok által előírt vizsgálati eljárással történt, és az adatok megfelelnek a készülék más készülékkel való összehasonlításához. A megadott zajkibocsátási értékek a terhelés előzetes becsüléséhez is használhatók.

### Figyelmeztetés:

- A zajkibocsátási értékek az készülék tényleges használata során az készülék használatának módjától függően, különösen a munkadarab típusától függően eltérhetnek a megadott értékektől.
- Próbálja meg a terheléseket a lehető legalacsonyabban tartani. Ilyen intézkedés például a munkaidő korlátozása. Eközben az üzemenlési ciklus összes részét vegye figyelembe (például azokat az időket, amikor a készülék ki van kapcsolva, valamint azokat is, amikor be van ugyan kapcsolva, de terhelés nélkül működik).

## 9. Üzembe helyezés előtt

1. Nyissa ki a csomagolást, és óvatosan vegye ki a készüléket.
2. Távolítsa el a csomagolóanyagot, valamint a csomagolási és szállítási biztosítékokat (ha vannak).
3. Ellenőrizze, hogy hiánytalan-e a szállítmány.
4. Ellenőrizze a készülék és a tartozékok szállításból eredő sérüléseit.
5. Lehetőség szerint a jótállási idő leteltéig őrizze meg a csomagolást.
6. Távolítsa el a berántóról (8) a rövid útmutatót.

### FIGYELEM

A készülék és a csomagolóanyag nem játékszer! Ne engedje, hogy a gyermekek a műanyag zacskókkal, fóliákkal és apró részekkel játszanak! Lenyelés és fulladás veszélye áll fenn!

### 9.1 A vezetősín (2) és a fűrészlánc (1) felszerelése

#### FIGYELMEZTETÉS

#### Sérülésveszély!

Amikor a fűrészlánc (1) ér, mindig viseljen védőkesztyűt. Az éles vágófogak miatt sérülésveszély áll fenn!

Csak a fűrészlánc (1) és vezetősín (2) engedélyezett kombinációját használja (lásd az „Engedélyezett vágófelszerelések” fejezetet).

A szerelést mindig csak olyankor végezze, ha a motor ki van kapcsolva.

### Megjegyzés

Az új fűrészlánc (1) nyúlik, és gyakran után kell feszíteni. Rendszeresen ellenőrizze a lánc feszességét, és állítson utána. A kopás mértékének megfelelően a vezetősín (2) megfordítható.

1. Állítsa a láncfűrészstabil, sík felületre.
2. A láncfék kioldásához húzza hátra ütközésig az elülső kézvédőt (3). (2. ábra)
3. Távolítsa el mindkét rögzítőanyát (16) a gyertyakulccsal (20).
4. Vegye le a lánckerék burkolatát (17).
5. Forgassa a láncfeszítő csavart (23) bal felé (az óramutató járásával ellenkező irányba), amíg a láncfeszítő csap (26) a jobb ütközéshez nem kerül (3. ábra). Ehhez használjon csillagfejű csavarhúzó (20).
6. Tolja rá a vezetősín (2) hosszúság furatát a két kiálló rögzítőcsapszegre (29).
7. Fektesse a fűrészláncot (1) a lánckerék (27) fogazatára. Vezesse rá a fűrészláncot (1) pontosan illesztve a vezetősínre (2) az ott megadott irányban. A vezetősín (2) csúcscsánál fogaskerek (30) található, melynek fogazatára rá kell fektetni a fűrészláncot (1). (6. és 18. ábra)
8. Kissé húzza meg a vezetősínt (2), hogy enyhén előfeszítse a fűrészláncot (1).
9. Tegye vissza a lánckerék burkolatát (17). Ügyeljen arra, hogy a belül elhelyezkedő láncfeszítő csap (26) beletaláljon a vezetősín (2) megfelelő furatába. Szükség esetén állítsa át a láncfeszítő csavart (23) a lapos csavarhúzóval (20).
10. Tekerje fel kézzel mindkét rögzítőanyát (16). Viszont figyeljen arra, hogy még ne húzza őket szorosra. A rögzítőanyagokat (16) csak a fűrészlánc (1) befogása után kell meghúzni.

### 9.2 Fűrészlánc (1) megfeszítése és ellenőrzése

#### FIGYELMEZTETÉS

Vegyen fel védőkesztyűt! Az éles vágófogak miatt sérülésveszély áll fenn!

Rendszeresen, minden üzembe helyezés előtt ellenőrizze a láncfeszítést.

Az ellenőrzéseket mindig indítás előtt és leállított motorral végezze el.

1. A feszítés előtt kissé ki kell oldani a rögzítőanyagokat (16) a gyertyakulccsal (20).

2. A feszítés növeléséhez forgassa a láncfeszítő csavart (23) a lapos csavarhúzóval (20) az óramutató járásával megegyező irányba.
3. Húzza meg szorosan a két rögzítőnyát (16) a gyertyakulccsal (20).
4. A fűrészláncnak (1) fel kell feküdnie a fűrészlap alsó oldalára. Ellenőrizze, hogy a fűrészlánc (1) (kioldott láncféknél, ehhez húzza hátra az első kézvédőt (3)) kézzel húzható-e a vezetősínen (2).

## MEGJEGYZÉS

Az új fűrészlánc (1) nyúlik, és gyakran után kell feszíteni.

### 9.3 Üzemanyag bekeverése

A motort benzinnel és motorolajból álló üzemanyagkeveréssel kell üzemeltetni.

#### FIGYELMEZTÉS

Kerülje el, hogy az üzemanyag közvetlenül a bőrrel érintkezzen, illetve ne lélegezze be az üzemanyag gőzét.

Csak ólommentes normál benzin (min. ROZ 95-ös) és speciális, kétütemű motorolaj (JASO FD/ISO - L - EGD) keverékét használja. Az üzemanyagkeveréket az üzemanyag keverési táblázata alapján keverje be.

Tegye a megfelelő mennyiségű benzint és kétütemű olajat a mellékelt keverőedénybe (22) (lásd az „Üzemanyag keverési táblázatát”). Ezután alaposan rázza fel a keverőedényt (22).

#### 9.3.1 Üzemanyag keverési táblázata

**Keverési eljárás: 40 rész benzin 1 rész olajhoz**  
**Benzin.....Kétütemű olaj**  
**0,5 liter ..... 12,5 ml**

### 9.4 Üzemanyag betöltése (8. ábra)

#### FIGYELMEZTÉS

Csak akkor töltsön be üzemanyagot, ha a motor ki van kapcsolva és lehűlt. Tűzveszély áll fenn!

1. Betöltés előtt mindig tisztítsa meg az üzemanyagtartály zárókupakját (13), hogy ne hulljon szennyeződés az üzemanyagtartályba. Ehhez használjon száraz, szálmentes kendőt.
2. Fektesse a készüléket az oldalára, hogy az üzemanyag-tartály zárókupakja (13) felfelé nézzen.

3. Nyitáshoz forgassa az üzemanyagtartály zárókupakját (13) az óramutató járásával ellentétes irányba. Az üzemanyagtartály zárókupakja (13) elvesztés elleni biztosítással az üzemanyagtartályhoz van rögzítve, így nem tud leesni.
4. Tölts be az üzemanyagkeveréket az üzemanyagtartályba. Tankolás közben ne öntse ki az üzemanyagot, és ne töltsé színültig az üzemanyagtartályt.
5. A kifolyt üzemanyagot azonnal törölje fel.
6. Záráshoz forgassa az üzemanyagtartály zárókupakját (13) az óramutató járásával megegyező irányba.

## MEGJEGYZÉS

Minden alkalommal, amikor üzemanyagot tölt be, ellenőrizze a láncenkő olajat is.

### 9.5 Engedje le az üzemanyagot

**Az üzemanyagtartályt csak a szabadban vagy jól szellőző helyiségben ürítse ki. Ügyeljen arra, hogy az üzemanyag ne kerüljön a talajba (környezetvédelem). Használjon megfelelő alátétet.**

1. Állítson egy gyűjtőtartályt az üzemanyagtartály alá.
2. Csavarja fel az üzemanyagtartály (13) zárját, majd leváltsa el azt.
3. Engedje le teljesen a benzin/olaj keveréket.
4. Kézzel csavarozza be újra az üzemanyagtartály zárját (13).

### 9.6 Láncenkő olaj betöltése (8. ábra)

#### FIGYELMEZTÉS

Csak akkor töltsön be fűrészláncolajat, ha a motor ki van kapcsolva és lehűlt. Tűzveszély áll fenn!

Soha ne dolgozzon láncenkés nélkül! Ha szárazon fut a fűrészlánc (1), rövid idő alatt metéhetetlenül tönkremegy az egész vágófelszerelés.

Mielőtt megkezdí a munkát, ellenőrizze a láncenkést.

## MEGJEGYZÉS

Csak fűrészláncolajat használjon. Lehetőleg biológiailag lebomló fajtát. Ne használjon fáradt olajat, motorolajat, stb. A munkavégzés során is ellenőrizze, hogy működik-e a láncenkés.

1. Betöltés előtt mindig tisztítsa meg az láncenkő olaj tartályának zárókupakját (11), hogy ne hulljon szennyeződés a láncenkő olaj tartályába. Ehhez használjon száraz, szálmentes kendőt.
2. Fektesse a készüléket az oldalára, hogy a láncenkő olaj tartályának zárókupakja (11) felfelé nézzen.

- Nyitáshoz forgassa a lánckenő olaj tartályának zárókupakját (11) az óramutató járásával ellentétes irányba. A lánckenő olaj tartályának zárókupakja (11) elvesztés elleni biztosítással a lánckenő olaj tartályához van rögzítve, így nem tud leesni.
- Tölts fel bio lánckenő olajjal a lánckenő olaj tartályát. Tankolás közben ne öntse ki a lánckenő olajat, és ne tölts színüllig a lánckenő olaj tartályát.
- A kifolyt lánckenő olajat azonnal törölje fel.
- Záráshoz forgassa a lánckenő olaj tartályának zárókupakját (11) az óramutató járásával megegyező irányba.

## 10. Üzembe helyezés

### ⚠ VIGYÁZAT

Kérjük, vegye figyelembe a zajvédelmi törvény rendelkezéseit.

Minden üzembe helyezés előtt vizsgálja meg a készüléket az alábbi szempontok szerint:

- az üzemanyagrendszer tömítettsége
- a védőberendezések és a vágóberendezés kifogástalan állapota és hiánytalansága
- az összes csavarkötés szoros illeszkedése
- Minden mozgó alkatrész könnyű mozgását

### Munkavégzési utasítások

Mielőtt használni kezdi a lánccfürészt, ismerje meg alaposan a kezelését.

#### 10.1 A motor indítása

### ⚠ FIGYELEM

A motor beindítása előtt legalább 3 méter távolságra távolodjon el a töltőhelytől (9. ábra).

Mindig egyenesen húzza ki a berántót (8). Tartsa erősen a berántó (8) fogantyúját, amikor a berántó (8) újra behúzódik. Ne hagyja gyorsan visszahúzódni a berántót (8).

A motor elindítása után azonnal engedje el a gázkart (5). Ellenőrizze, hogy az üresjáratban a motorfordulatszám viszszaállt-e, mielőtt elengedné a lánccféket (nyomja hátra az elülső kézvédőt (3)).

Csak az indításhoz húzza ki a hidegindító kart (szívatót) (14).

#### 10.1.1 Indítás hideg motor esetén

### ⚠ FIGYELMEZTETÉS

Minden üzembe helyezés előtt kapcsolja be a lánccféket (nyomja előre az elülső kézvédőt (3)).

### ⚠ FIGYELEM

Soha ne hagyja visszacsapódní a berántót (8). Ez károsodásokhoz vezethet.

- Vegye le a vezetősín (21) borítását.
- A lánccfürészt állítsa stabil és síma felületre. A fűrészlánc (1) nem érintkezhet a talajjal.
- Nyomja előre az elülső kézvédőt (3) addig, amíg be nem kattann. A fűrészláncot (1) a lánccfék blokkolja.
- Nyomja meg 6-szer a „Primer” üzemanyag-szivattyút (4). (1. ábra)
- Állítsa a be-/kikapcsolót (15) „ON” állásba. (1. ábra)
- Húzza ki a hidegindító kart (szívatót) (14). (10.2. ábra)
- Tartsa szorosan a lánccfürészt az elülső markolatnál (12) fogva, és lassan húzza meg a berántót (8), amíg ellenállást nem érez.
- Most hirtelen rántsa meg a berántót (8), hogy a motor elinduljon. Ha a motor nem indul el, ismétlje meg a folyamatot. Amíg a hidegindító kar (szívató) (14) kihúzott állapotban van, a motor csak rövid ideig működik, majd ismét leáll.
- Amint a motor leáll, működtesse együtt a gázkar zárját (7) és a gázkart (5). A hidegindító kar (szívató) (14) automatikusan „Melegindítás” üzemmódba ugrik. (10.1. ábra)
- Most hirtelen rántsa meg újra a berántót (8), hogy a motor beinduljon.

Ha a motor többszöri próbálkozás után sem indul be, akkor olvassa el a „Hibaelhárítás” c. fejezetet.

### MEGJEGYZÉS

Magas külső hőmérsékletek esetén előfordulhat, hogy hideg motor esetén is hidegindító kar (szívató) (14) nélküli indítás kell végezni!

- Oldja ki a lánccféket azzal, hogy hátrahúzza az első kézvédőt (3). (2. ábra)
- **VIGYÁZAT!** A lánccfék most ki van oldva. A gázkar (5) és a gázkar bereteszelő (7) egyidejű megnyomása elindítja a fűrészláncot (1).

### 10.1.2 Indítás meleg motor esetén (A készülék 15 - 20 percnél rövidebb ideig állt.)

#### FIGYELMEZTETÉS

Minden üzembe helyezés előtt kapcsolja be a láncfékét (nyomja előre az elülső kézvédőt (3)).

1. Nyomja előre az elülső kézvédőt (3) addig, amíg be nem kattann. A fűrészláncot (1) a láncfék blokkolja.
2. Állítsa a be-/kikapcsolót (15) „ON” állásba.
3. Meleg motor indításához nem kell meghúznia a hidegin-dító kart (szívatót) (14).
4. Tartsa szorosan a láncfűrész az elülső markolatnál (12) fogva, és lassan húzza meg a berántót (8), amíg ellen-állást nem érez.
5. Ekkor húzza meg hirtelen a berántót (8). A készüléknek 1-2 rántásra be kell indulnia. Ha a készülék ó rántás után még mindig nem indul be, ismétlje meg a folya-matot a „Hideg motor indítása” résznél leírtak szerint.

### 10.2 A motor leállítása

#### 10.2.1 Vészleállítási lépéssorozat

Ha azonnal le kell állítania a készüléket, akkor állítsa a be-/kikapcsolót (15) „OFF” állásba. (1. ábra)

#### 10.2.2 Normál lépéssorozat

1. Engedje el a gázkart (5). A motor átáll üresjáratú for-dulatszámra.
2. Ezt követően állítsa a (15) be-/kikapcsolót „Stop” állás-ba. (1. ábra)

### 10.3 Üzemelés üresjáratban

#### FIGYELEM

Üresjáratban a fűrészláncnak (1) állnia kell.

#### MEGJEGYZÉS

Ha a fűrészlánc (1) üresjáratban mozog, vagy ha a motor gázélvételkor magától leáll, akkor porlasztóbeállítást kell végezni (lásd „A porlasztóbeállítások karbantartása” c. fe-jezetet).

1. Emelje fel a láncfűrész.
2. Bal kezével tartsa erősen az elülső markolatot (12).
3. Jobb kezével tartsa erősen a hátsó markolatot (6). Ekkor a kézbegek a gázkar zárján (7) fekszenek, és a gáz-kart (5) a mutatóujj működtei.
4. A gázkar (5) egyszeri működteése után a motor üres-járatban működteik.
5. Hagyja a motort rövid ideig felmelegedni.

### 10.4 Lánckenés ellenőrzése és beállítása

#### FIGYELEM

- Soha ne dolgozzon lánckenés nélkül! Ha szárazon fut a fűrészlánc (1), rövid idő alatt menthetetlenül tönkremegy az egész vágófelszerelés.
- Mielőtt megkezdi a munkát, ellenőrizze a lánckenést.

#### Megjegyzés

Csak fűrészláncolatot használjon, lehetőleg biológiailag le-bomló fajtát. Ne használjon fáradt olajat, motorolajat, stb.

Tartsa folyamatos üzemben a láncfűrész közepes fordulot-számon, egy már levágot fatönk vagy megfelelő aljzat fö-lött. Ha elegendő a kenés, vékony olajfilm képződik a tönkön vagy az alátéten.

- Ha szükséges, a lánckenés mértékét növelni vagy csök-kenteni lehet az olajszabályzó csavarral (32) (11. ábra).
- Ehhez segítségként használja a mellékelt lapos csavarhú-zót (20):
  - A lánckenés mértékének csökkentéséhez először nyomja be az olajszabályzó csavart (32), majd forgas-sa az óramutató járásával megegyező irányba.
  - A lánckenés mértékének növeléséhez először nyomja be az olajszabályzó csavart (32), majd forgassa az óramutató járásával ellentétes irányba.

### 10.5 A láncfék ellenőrzése

#### FIGYELMEZTETÉS

A láncfék minden egyes üzembe helyezés előtt ellenőrizni kell.

A láncfék visszacsapás esetén azonnal lefékezi a fűrészlánc-ot (1).

1. Ügyeljen arra, hogy az elülső kézvédő (3) ne legyen szennyezett, és könnyen mozgatható legyen.
2. Indítsa be a láncfűrész, és gyorsítsa fel a fűrészláncot a (1) legnagyobb sebességre (teljes gáz).
3. Miközben fut a fűrészlánc (1), működtesse az első ké-zvédőt (3). A láncféknek maximális sebességnél le kell fékeznie és meg kell állítania a fűrészláncot (1).

#### FIGYELMEZTETÉS

Ha túl hosszú ideig magas fordulaton járattja a motort, miköz-ben a láncfék fogja a láncot, az kárt tehet a motorban és a lánchajtásban.

Ha mégis mozog a fűrészlánc (1), forduljon az ügyfélszol-gálatához.

## 11. Alkalmazás

### 11.1 Ágeltávolítási munkálatok

- Alapvetően vegye figyelembe a visszacsapódó ágak okozta veszélyt.
- Az ágak eltávolítása során ne álljon a törzsre.
- Ne fűrészeljen a sín csúcsával. (7. ábra)
- Ne vágjon egyszerre több ágat.
- Az ágak levágása során lehetőleg támassza le a láncfűrészrészét a karmos ütközőre (24).
- Ügyeljen rá, hogy a vágás végén a láncfűrész a saját súlyánál fogva továbbblendülhet. Már nem támasztja a vágat, ezért tartson ellent neki megfelelően.
- Az ágak eltávolítása közben vegyen fel stabil és biztos munkaállást.

#### 11.1.1 Szakaszos ágeltávolítási munkálatok

A hosszú vagy vastag ágakat rövidítse meg, mielőtt elvégezné rajtuk a végső leválasztó vágást. Különbözően a fűrészlánc (1) könnyen beszorulhat.

#### 11.1.2 Munkavégzés feszültség alatt álló fadarabon

A feszültség alatt álló fadarab megmunkálása során feltétlenül be kell tartani a helyes sorrendet. Különbözően a fűrészlánc (1) beszorulhat, vagy visszacsapás fordulhat elő.

A feszültség alatt álló fadarabnak először mindig a nyomott oldalát kell átvágni. Csak ezt követően szabad elvégezni a húzásra terhelt oldal átvágását. (24. ábra)  
Így elkerülhető a fűrészlánc (1) beszorulása.

### FIGYELEM

#### Anyagi károk!

A földön fekvő fa alsó része nem érhet a talajhoz azon a részen, ahol a vágást végzi, különben megsérülhet a fűrészlánc (1).

#### Visszaütés

- Ha a fűrészlánc (1) beszorul a vezetősín felső élénél (2), akkor a láncfűrész hevesen és uralhatatlanul visszarúghat a kezelő irányába.

#### Behúzás

- Ha a fűrészlánc (1) beszorul a vezetősín alsó élénél (2), akkor a láncfűrész hevesen és uralhatatlanul elrúghatja magát a kezelőtől.

### Biztonságos munkavégzés

- A sérülések megelőzése érdekében mindig tartsa jól használható állapotban a készüléket.
- Ha leejtette a készüléket, ellenőrizze, nem szenvedett-e jelentősebb kárt vagy sérülést.
- Ne használja a készüléket letrán vagy bizonytalan helyen állva.
- Ne végezzen egyetlen vágást sem anélkül, hogy előtte jól megfontolta volna. Különbözően veszélybe sodorhatja saját magát és másokat.
- Rendszeresen váltogassa a munkavégzési helyzetét. Ha huzamosabban használja a készüléket, akkor a rezgések keringési zavarokat idézhetnek elő a kezén. Megfelelő kesztyű viselésével vagy rendszeres szünetekkel azonban növelhető a használati időtartam. Vegye figyelembe, hogy a rossz keringésre való egyedi hajlam, az alacsony külső hőmérséklet, valamint a munkavégzés során kifejtett erős szorítóerő csökkenti a használati időtartamot.

#### 11.2 A fatörzs lefelé hajlik

1. Először végezze el az 1-gyel jelölt tehermentesítő vágást (kb. a törzsátmérő 1/3-áig) a nyomásnak kitett oldalon.
2. Ezt követően hajtsa végre a 2-vel jelölt leválasztó vágást (kb. a törzsátmérő 2/3-áig) a húzásra terhelt oldal felől.

#### 11.3 A fatörzs felfelé hajlik

1. Először végezze el az 1-gyel jelölt tehermentesítő vágást (kb. a törzsátmérő 1/3-áig) a nyomásnak kitett oldalon.
2. Ezt követően hajtsa végre a 2-vel jelölt leválasztó vágást (kb. a törzsátmérő 2/3-áig) a húzásra terhelt oldal felől.

#### 11.4 A favágó fűrész alkalmazása fák vágására kötélmászási technikával együtt.

Ez a függelék olyan munkamódszereket mutat be, amelyek csökkentik a láncfűrészek használatából eredő sérülésveszélyt a magasban, kötéllel és hordozó hevederrel végzett munkálatok során. Bár útmutatóként és képzési anyagként szolgálhat, nem helyettesítheti a formális képzést. A függelékben található útmutatások kizárólag példaként szolgál egy megfelelő munkamódszerre.

Alkalmazhatók szigorúbb nemzeti vagy egyéb előírások.

A faápolásra használt láncfűrész kezelője, aki kötéllel és hordozó hevederrel a magasban dolgozik, soha ne dolgozzon egyedül. Egy vészhelyzeti intézkedésekre kiképzett munkásnak a talajon kell tartózkodnia és segíednie kell.

A kezelő képzést kell kapjon az általános, biztonságos mászási és munkapozíció technikákat illetően, és rendelkeznie kell hordozó hevederrel, kötéllel, hurkokkal, karabinerekkel és egyéb felszerelésekkel a saját érdekében és a fűrész biztonságos és helyes munkapozíciójának érdekében.

A nemzeti jogszabályokat és előírásokat mindig szigorúan be kell tartani.

A függelék nem tér ki a láncfűrész által levágott ágak és gallyak ellenőrzésére szolgáló technikákkal, és nem tartalmazza a biztonságos alkalmazásra vonatkozó, már tárgyalt pontokat.

#### 11.4.1 Általános követelmények

A faápolásra használt láncfűrész kezelője, aki kötéllel és hordozó hevederrel a magasban dolgozik, soha ne dolgozzon egyedül. Egy vészhelyzeti intézkedésekre kiképzett munkásnak a talajon kell tartózkodnia és segídenie kell.

A kezelő képzést kell kapjon az általános, biztonságos mászási és munkapozíció technikákat illetően, és rendelkeznie kell hordozó hevederrel, kötéllel, hurkokkal, karabinerekkel és egyéb felszerelésekkel a saját érdekében és a fűrész biztonságos és helyes munkapozíciójának érdekében.

#### 11.4.2 Előkészület a favágó fűrész alkalmazása előtt a fában

A talajon lévő dolgozónak a láncfűrész ellenőrznie, tanfónia kell, működésbe kell hoznia és be kell járátania, majd ki kell kapcsolni, mielőtt felhúzzák a fára a kezelőhöz.

A láncfűrészről el kell látni egy megfelelő hurokkal, hogy fel lehessen helyezni a kezelő hordozó hevederére (13. ábra):

- A hurkot a fűrész hátsó oldalán található felfüggesztő berendezésre (19) kell rögzíteni (12. ábra).
- Megfelelő karabinereket kell biztosítani, amelyek lehetővé teszik a fűrész közvetett (azaz a heveder általi) és közvetlen (azaz a láncfűrész felfüggesztő berendezéséhez (19) történő) rögzítését a kezelő hordozó hevederénél.
- A láncfűrész biztos rögzítésének érdekében óvatosan kell eljárni, amikor felhúzzák a kezelőhöz (14. ábra).
- Ellenőrizni kell, hogy a láncfűrész a hordozó hevederhez van-e rögzítve, mielőtt leoldanák az emelőkötélről.

Azáltal, hogy a láncfűrész közvetlenül a hordozó hevederhez rögzíthető, csökken annak a kockázata, hogy a felszerelés mozgás során a fában megsérül. A láncfűrész mindig ki kell legyen kapcsolva, amikor közvetlenül a hordozó hevederre van rögzítve.

A láncfűrész csak az ajánlott felfüggesztő berendezésekre helyezze a hordozó hevederen. Ezek lehetnek középen (előlről vagy hátulról) vagy oldalt. Ha csak lehetséges, a láncfűrész a hordozó heveder középső hátsó közepére kell elhelyezni, hogy távol legyen a mászókötelektől, és hogy fel fogja a súlyt középen, a kezelő gerince alatt.

Ha a láncfűrész áthelyezik az egyik felfüggesztő berendezésről egy másikra, akkor a kezelőknek ellenőrizniük kell, hogy a láncfűrész az új helyzetben rögzítve van-e, mielőtt az előző leoldanak az előző felfüggesztő berendezésről.

#### 11.5 A láncfűrész alkalmazása a fában

Az ezen láncfűrészekkel végzett faápolási munkálatok során bekövetkezett balesetek elemzése szerint a fő ok a láncfűrész szakszerűtlen, félkezes használata. A legtöbb baleset esetén a kezelők nem olyan biztonságos munkapozíciókat vettek fel, amely lehetővé tette volna számukra, hogy a láncfűrész mindkét markolatnál fogva tartsák, ami fokozott sérülésveszélyhez vezet az alábbiak miatt:

- A biztos markolat hiánya a láncfűrész visszacsapásakor.
- A láncfűrész irányításának hiánya, így könnyebben előfordulhat, hogy hozzáér a mászókötelekhez és a kezelő testéhez (különösképpen a bal kéz és a kar).
- Az irányítás elvesztése egy nem biztonságos munkapozíció által és ezáltal a láncfűrészhez való hozzáférés (váratlan mozgások a láncfűrészrel végzett munkálatok során).

#### 11.6 Biztonságos munkapozíció kétkezes használat során

Hogy a láncfűrész mindkét kezével tarthassa, a kezelőknek mindig törekedniük egy biztonságos munkapozíció felvételére, amely esetén a fűrész a következőképpen kell vezetni:

- derékmagasságban a vízszintes darabok fűrészélése során.
- a has magasságában függőleges darabok fűrészélése során.

Ha a kezelő a függőleges törzs közelében dolgozik, és a munkapozícióra ható oldalsó erők alacsonyok, akkor a biztonságos munkapozícióhoz elegendő lehet a biztonságos lábtartás. Azonban ha a kezelők eltávolodnak a törzstől, további intézkedéseket kell tenniük a növekvő oldalsó erők csökkentése vagy ellensúlyozása érdekében, például a fő kötél áfordítása egy további felfüggesztő berendezés által, vagy egy olyan, állítható hurok alkalmazása, amely a hámtól egy további felfüggesztő berendezéshez vezet (15. és 16. ábra).

### 11.6.1 A favágó fűrész elindítása a fában

A kezelőnek a láncfűrész beindításakor a fában a következőket kell elvégeznie:

- a láncfűrés működésbe hozása az elindítás előtt (nyomja előre az elülső kézvédőt (3)).
- elindításakor a láncfűrész eltartása a testtől balra vagy jobbra:
  - A láncfűrész a bal oldalánál a bal kézzel az elülső markolatnál tartva, és a láncfűrész a testtől eltolva, mialatt az indítókotelet a jobb kezében tartja.
  - A láncfűrész a jobb oldalánál a jobb kézzel az egyik markolatnál tartva, és a láncfűrész a testtől eltolva, mialatt az indítókotelet a bal kezében tartja.

A láncfűrészt mindig be kell kapcsolni, mielőtt a működő láncfűrész a tartókötelenél leengedi.

A kezelőnek a nehéz fűrészelési munkálatok előtt mindig figyelnie kell rá, hogy a láncfűrésznek elegendő üzemanyaga legyen.

### 11.6.2 A láncfűrész félkezes használata

A kezelők nem használhatják a láncfűrész faápolás céljára félkezzel, instabil munkapozícióban vagy kézi fűrész helyett ágvégek lefűrészélése alacsony átmérővel.

Faápolás céljára a láncfűrész kizárólag akkor lehet félkezesen használni, ha

- a. a kezelő nem tud felvenni olyan munkapozíciót, amely lehetővé teszi a kétkézes alkalmazást.
- b. az egyik kezével biztosítania kell a munkapozíciót.
- c. a láncfűrész teljesen kinyújtott helyzetben, a kezelő testéhez képest derékszögben és a vonalon kívül használják.

A kezelőknek tilos:

- Úgy fűrészelni, hogy a láncfűrész vezetősinének (2) csúcsa a visszacsapási tartományban van.
- Fogózkodni az ágba, amelyet fűrész.
- Megpróbálni megfogni a leeső részeket.

### 11.6.3 Beszorult láncfűrész kiengedése

Ha a láncfűrész a vágás közben beszorult, akkor a kezelőnek a következőket kell tennie:

1. A láncfűrész kikapcsolása és a fa belsejéhez (azaz a főtörzshöz) vagy egy külön szerszámkötélhez való rögzítése.
2. A láncfűrész kihúzása a bevágásból, mialatt az ágat a szükséges mértékben megemeli,
3. Szükség esetén kézi fűrész vagy egy másik láncfűrész használata a beszorult láncfűrész kiszabadítására, azáltal, hogy a beszorult láncfűrészről legalább 30 cm távolságra váganak.

Függetlenül attól, hogy kézfűrész vagy láncfűrész használnak a beszorult láncfűrész kiszabadítására, a láncfűrész kiszabadítására szolgáló vágásokat mindig kifelé (az ágvégek felé) kell elvégezni, hogy a láncfűrész ne ragadjon magával a lefűrészelt részeket így bonyolítva tovább a helyzetet.

## 12. Szállítás

- Szállításkor mindig használja a vezetősin borítását (21).
- Szállítás előtt mindig kapcsolja ki a láncfűrész, akkor is, ha csak rövid szakaszon szállítja. Szállítás közben (járművön is) biztosítsa a gépet felborulás ellen, hogy elkerülje az üzemanyag kifolyását, valamint a káros és sérülések bekövetkezését.
- Kapcsolja be a láncfűrészt (nyomja előre az elülső kézvédőt (3)).
- A készüléket csak az első markolatnál (12) fogva hordozza. A vezetősin (2) ilyenkor hátrafelé, a testével ellenkező irányba mutasson.
- A forró hangtompítót (18) tartsa távol a testétől. Égési sérülések veszélye áll fenn! (23. ábra)

## 13. Tisztítás és karbantartás

### FIGYELMEZTETÉS

#### Sérülésveszély!

Tisztítási munkálatok előtt mindig kapcsolja ki a készüléket, és húzza le a gyertyapipát (35). (lásd a 13.4. A gyújtógyertya (34) karbantartása című fejezetet).

#### Megjegyzés

A készüléket minden használat után alaposan meg kell tisztítani.

A tisztítási és karbantartási munkálatokat csak abban a mértékben végezze, ahogyan azokat ez a kezelési útmutató ismerteti. A további munkálatokat bízva szakemberre.

A karbantartási munkálatokat rendszeresen el kell végezni (lásd a „Karbantartási időközök” című fejezetet).

### 13.1 A motoregység tisztítása

### FIGYELMEZTETÉS

#### Égési sérülések veszélye!

Ne érintse meg a forró hangtompítót, a hengert vagy a hűtőbordákat.

- A védőszerkezeteket, a levegőnyílásokat és a motor házát lehetőleg tartsa mentesen a portól és a szennyeződések-től. Fúvassa le sűrített levegővel, alacsony nyomáson.

- Rendszeresen tisztítsa meg a készüléket nedves ronggyal és némi tisztítószerezrel. Ügyeljen arra, hogy ne juthasson víz a készülék belsejébe.

### 13.2 A légszűrő (33) tisztítása (17. ábra)

Ha szennyezett a levegőszűrő, kevesebb levegő jut a porlasztóba, és csökken a motor teljesítménye.

Ezért a rendszeres ellenőrzés elengedhetetlen. Ellenőrizze rendszeresen a légszűrőt (33), és szükség esetén tisztítsa ki. Ha nagyon poros a levegő, gyakrabban ellenőrizze a légszűrőt (33).

1. Oldja ki a légszűrőfedél zárját (10) az óramutató járásával ellentétes irányba forgatva.
2. Távolítsa el a légszűrő fedelét (9).
3. Vegye ki a légszűrőt (33).
4. Tisztítsa meg a légszűrőt (33) kiütőgetéssel vagy kifúvatással (sűrített levegő használatával).

Az összeszerelés fordított sorrendben történik.

#### FIGYELEM

A légszűrőt (33) soha ne tisztítsa benzinnel vagy gyúlékony oldószerekkel.

### 13.3 A lánchajtás tisztítása

#### FIGYELMEZTETÉS

#### Sérülésveszély!

Amikor a fűrészlánchoz (1) ér, mindig viseljen védőkesztyűt. Az éles vágófogak miatt sérülésveszély áll fenn!

#### Megjegyzés

Minden használat után tisztítsa meg a lánchajtást.

1. Állítsa a lánCFűrészrt stabil, sík felületre.
2. A lánCFék kioldásához húzza hátra ütőközéig az első kézvédőt (3). (2. ábra)
3. A feszítés csökkentéséhez forgassa a lánCFeszítő csavart (23) a lapos csavarhúzóval (20) az óramutató járásával ellenkező irányba.
4. Távolítsa el mindkét rögzítőanyát (16) a gyertyakulccsal (20).
5. Vegye le a lánCFerék burkolatát (17).
6. Óvatosan vegye le a fűrészlánchoz (1) a vezetősínről (2) és a lánCFerékről (27).
7. Vegye ki a vezetősínt (2). Tisztítsa meg ecsettel.
8. Tisztítsa meg alaposan a lánCFajtás teljes területét és a lánCFerék burkolatát (17) ecsettel vagy kifúvatással (sűrített levegővel).

Az összeszerelés fordított sorrendben történik.

### 13.4 A gyújtógyertya (34) karbantartása (19 / 20. ábra)

1. Szerelje le a légszűrőt (33) a 13.2 „A légszűrő tisztítása (33)” részben leírtak szerint.
2. Húzza le a gyertyapipát (35) úgy, hogy balra és jobbra forgatja, és közben húzza is. Kizárólag a piparésznel fogja meg és húzza a gyertyapipát (35). Soha ne húzza a kábelnél fogva!
3. Oldja ki a gyújtógyertyát (34) a mellékelt gyertyakulccsal (20).
4. Az összeszerelés fordított sorrendben történik.

Gyertyahézag = 0,6 mm - 0,7 mm (az elektródák közötti távolság, ahol a szikra ívet húz). Először 10 üzemóra után ellenőrizze, hogy a gyújtógyertya (34) nem szennyezett-e, és szükség esetén tisztítsa meg részőrv kefével.

A gyújtógyertya (34) karbantartását ezután 50 üzemóránként végezze.

### 13.5 A lánCFerés ellenőrzése és beállítása

- Lásd a „LánCFerés ellenőrzése és beállítása” című fejezetet.

### 13.6 A porlasztó beállításainak karbantartása

- Ha a fűrészlánc (1) üresjárásban mozog, vagy ha a motor gázszelvéltelkor magától leáll, akkor porlasztóbeállítást kell végezni.

#### Megjegyzés

A porlasztó beállítását (pl. az üresjárati fordulatszám beállítását) csak képzett szakemberrel végeztesse, a motor károsodását elkerülendő.

### 13.7 A vezetősín (2) karbantartása

- Távolítsa el a sín éléről az esetleg lerakódott szennyeződések egy fémreszelővel.
- Tisztítsa meg a vezetősín (2) hornyát ecset vagy sűrített levegő segítségével (21. ábra). Amint elkopott a vezetősín (28), cserélje le a vezetősínt (2).
- Az egyenletes elhasználódás érdekében minden egyes használat után fordítsa meg a vezetősínt (2).
- Ellenőrizze, hogy könnyen mozog-e a vezetősín (2) csúcsánál található fogaskerék (30). Szükség esetén kenje meg csapágyolajjal. Csepegtessen egy kis csapágyolajat a kenőnyílásba (31). (21. ábra)



### 13.8 A láncfék ellenőrzése

Lásd a 10.5 „A láncfék ellenőrzése” fejezetet.

#### **▲ FIGYELMEZTETÉS**

#### **VISSZACsapás veszélye!**

Ha nem működik a láncfék, akkor nagyobb a visszacsapás kockázata.

Rendszeresen ellenőrizze a láncfékét.

A biztonsága érdekében elengedhetetlen, hogy a láncfék megfelelően működjön.

### 13.9 Fűrészlánc (1) megfeszítése és ellenőrzése

Lásd a 9.2 „Fűrészlánc (1) megfeszítése és ellenőrzése” című fejezetet

### 13.10 A fűrészlánc (1) élezése és ápolása

#### **▲ FIGYELMEZTETÉS**

#### **Sérülésveszély!**

Amikor a fűrészlánc (1) ér, mindig viseljen védőkesztyűt.

Az éles vágófogak miatt sérülésveszély áll fenn!

#### **Megjegyzés**

Az optimálisan ápolt és élezett fűrészlánc (1) csökkenti a fizikai terhelést és a kopást, valamint megfelelő vágási eredményt biztosít.

Rendszeresen tisztítsa, ápolja és élezze a fűrészláncot (1).

Rendszeresen ellenőrizze a fűrészláncot (1), nem repedt-e, illetve nem sérült-e a szegecsei.

A csiszolóhoz köszörűbakot lehet a köszörűtámaszra rögzíteni a biztos tartás érdekében.

A szállított elemek közé tartozó fűrészlánc (1) csak speciális fűrészlánc élező kerek reszelőt használjon, Ø 4,8 mm (3/16") méretben.

Az élező készletben részletes információkat talál az élezési művelet menetével kapcsolatban.

Másik lehetőségként használhat elektromos láncélező készüléket is: ilyenkor kövesse a gyártó utasításait.

Ha kétségei vannak a feladat végrehajtásával kapcsolatban, végezze el inkább a fűrészlánc (1) cseréjét.

Szükség esetén végeztesse a fűrészlánc (1) élezését szakmühellyel.

- Szükséges tartozékok (nem tartoznak a szállított elemek közé):
  - Fűrészlánc élező kerek reszelő Ø 4,8 mm (3/16")
  - Lapos reszelő
  - Mélységátaroló idomszer
- Csak előrefelé irányuló mozgással végezze az anyagot lehordó reszelést.
- A reszelést kb. 25°-os élezési szögben, a vezetősínhez (2) képest 10° meredekséggel végezze.
- Ellenőrizze a mélységátarolás távolságát mélységátaroló idomszerrel.
- A mélységátaroló helyes távolságának 0,6 mm-nek (0,024") kell lennie.

### 13.11 Karbantartási intervallumok

A hosszú élettartam, a sérülések elkerülése és a biztonsági berendezések tökéletes működésének biztosítása érdekében rendszeresen el kell végezni az alábbi karbantartási munkálatokat. A garanciaigényeket csak akkor ismerjük el, ha ezeket a munkálatokat rendszeresen és megfelelően elvégezték. Ennek figyelmen kívül hagyása esetén balesetveszély áll fenn!

A láncfűrész kezelő személyek csak olyan karbantartási és ápolási munkálatokat végezhetnek el, amelyek bemutatásra kerülnek a jelen üzemeltetési útmutatóban.

A többi munkálatokat kizárólag szakemberek végezhetik el.

Általános információk	Teljes fávágó fűrész	Tisztítsa meg a külsejét és ellenőrizze, hogy nem sérült-e. Ha sérülést vesz észre, azonnal intézkedjen a szakszerű megjavításáról.
	Fűrészlánc	Rendszeresen élezze meg, időben cserélje ki.
	Láncfék	Rendszeresen ellenőrzés a szakmühelyben
	Vezetősín	Forgassa, hogy a terhelt futófelületek egyenletesen kopjanak. Időben cserélje ki.

Minden egyes üzembe helyezés előtt	Fűrészlánc	Ellenőrizze az esetleges sérüléseket és az élességét. Ellenőrizze a láncfeszítést.
	Vezetősín	Ellenőrizze az esetleges sérüléseket.
	Lánckenés	A működés ellenőrzése
	Láncfék	A működés ellenőrzése
	Be-/kikapcsoló, gázkar zárja, gázkar	A működés ellenőrzése
	Üzemanyag- és lánckenő olaj tartályának zárókupakja	Ellenőrizze a tömítettségét.
Naponta	légszűrő	Tisztítás
	Vezetősín	Az esetleges sérülések ellenőrzése, olajbemeneti nyílás tisztítása
	Sínfelvétel	Tisztítás, különösképpen az olajvezető horony
	Üresjárati fordulatszám	Ellenőrzés (a lánc nem futhat együtt)
Hetente	A ventilátor burkolata	Tisztítás a hűtőlevegő kifogástalan vezetésének biztosítása érdekében
	Gyújtógyertya	Ellenőrzés, szükség esetén csere
	Hangtompító	Az esetleges lerakódások ellenőrzése
	Láncfogó	Az esetleges sérülések ellenőrzése, szükség esetén csere
	Csavarok és anyák	Az állapot és a rögzítettség ellenőrzése
Negyedévente	Szívófej	Kicserélni
	Üzemanyag- és lánckenő-olaj-tartály	Tisztítás
Tárolás	Teljes favágó fűrés	Tisztítsa meg a külsejét és ellenőrizze, hogy nem sérült-e Ha sérülést vesz észre, azonnal intézkedjen a szakszerű megjavításáról
	A fűrészlánc- és sín	Szét szerelés, tisztítás és enyhén beolajozás A vezetősín vezetőhornyának tisztítása
	Üzemanyag- és lánckenő-olaj-tartály	Kiürítés és tisztítás
	Porlasztó	Üresjárat

### 13.12 Fontos megjegyzés javítás esetén

Ha javításra visszaküldi a készüléket, akkor ügyeljen arra, hogy a készüléket biztonsági okokból olaj és a benzin nélkül küldje be a szervizállomásra.

### 13.13 Szervizinformációk

Vegye figyelembe, hogy ennél a terméknél a következő alkatrészek használati vagy természetes kopásnak kitett elemek, illetve a következő alkatrészekre használati anyagokként van szükség. Kopóalkatrészek\*: Fűrészlánc, vezetősín, lánckenő olaj, motorolaj, karmos ütőző, láncfogó, gyújtógyertya, légszűrő, üzemanyagszűrő, lánckenő olaj szűrője

\* nem szerepel kötelezően a szállított elemek között!

### Engedélyezett vágókészlet

Fűrészlánc	
Kangxin 3/8LP-40.....	7910100739
Oregon 91P040X.....	3910102032
Vezetősín	
Kangxin AP10-40-509P.....	7910100740
Oregon 100SDEA041 .....	7910100744

### 14. Tárolás

A gyertyakulcs/csilagfejű csavarhúzó (20) tárolás céljából elhelyezhető a vezetősín (21) borításának oldalán.

Tároláskor mindig használja a vezetősín borítását (21).

Tárolás előtt minden alkalommal tisztítsa meg a készüléket, és végezzen rajta karbantartást, lásd a „Tisztítás és karbantartás” című fejezetet.

Üritse ki teljesen az olaj- és az üzemanyagtartályt.

### FIGYELMEZTETÉS

A benzint ne távolítsa el zárt helyiségben, tűz közelében vagy dohányzás közben. A gázgökök robbanáshoz vezetnek, vagy tüzet okozhatnak.

- Indítsa be a motort, és hagyja járni mindaddig, amíg elhasználja a maradék benzint.

A készüléket és tartozékait sötét, száraz és fagymentes helyen, gyermektől elzárva tárolja. Az optimális tárolási hőmérséklet 5 °C és 30 °C között van.

0 °C alatti hőmérsékleten ne tárolja vagy használja a láncfűrészelt!

Soha ne tárolja 30 napnál hosszabb ideig a fűrészláncot anélkül, hogy elvégezné a következő lépéseket.

A készülék tárolása előtt kövesse a tisztító-, és karbantartó utasításokat!

### 14.1 A láncfűrész tárolása

Ha 30 napnál hosszabb ideig tárol egy láncfűrész, akkor készítse elő. Különben a porlasztóban lévő maradék üzemanyag elpárolog és gumiszzerű lerakódást hagy maga után. Ez megnehezítheti a beindítást, ami kötelező javítási munkálatokat eredményezhet.

1. Az üzemanyagtartályt zárját (13) lassan vegye le, hogy a tartályban esetleg fennálló nyomás eltávozhasson. Óvatosan ürítse ki a tartályt.
2. Indítsa be a motort és hagyja bekapcsolva, amíg le nem áll a láncfűrész, hogy a porlasztóból eltávolítsa az üzemanyagot.
3. Hagyja lehűlni a motort (kb. 5 perc).
4. Távolítsa el a gyújtógyertyát (34).
5. Adjon 1 teáskanál tiszta 2-ütemű olajat az égéskamrába. Többször húzza meg lassan az indítókötelet (8), hogy a belső alkatrészeket is bevonja. Ismét helyezze be a gyújtógyertyát (34).

A láncfűrész tárolásához száraz helyen, a lehetséges gyújtóforrásoktól, pl. tűzhelytől, gázüzemű vízmelegítőtől, gázzárítótól stb. távol, valamint gyermekektől elzárva tárolja.

Mindig helyezze fel a vezetősín (21) borítását, akkor is, ha a fűrészlánc (1) és a vezetősín (2) nincs leszerelve.

### 14.2 A láncfűrész újra üzembe helyezése

1. Távolítsa el a gyújtógyertyát (34).
2. Húzza meg hirtelen a berántót (8), hogy eltávolítsa a felesleges olajat az égéstérből.
3. Tisztítsa meg a gyújtógyertyát (34), és ügyeljen a gyújtógyertyánál (34) az elektródák helyes távolságára; vagy tegyen be egy helyes elektródatávolsággal rendelkező új gyújtógyertyát (34).
4. Készítse elő a láncfűrész az üzemelésre.
5. Tölts fel a tartályt megfelelő olaj- és üzemanyagkeverékkel (1:40).

### 14.3 Üzemanyag tárolás

Az üzemanyag csak korlátozottan tárolható. Az üzemanyag és az üzemanyag keverék párologás miatt sűrűsödik, különösen magas hőmérsékletnek kitéve. A túltárolt üzemanyag és üzemanyag keverék indítási problémákat és motor károsodásokat okozhat. Csak annyi üzemanyagot vásároljon, amennyit néhány hónap alatt felhasznál. Magasabb hőmérsékleten a bekevert üzemanyagot 6-8 hét alatt használja fel.

**Az üzemanyagot csak kijelölt tartályokban, száraz, hűvös és biztonságos helyen tárolja!**

### FIGYELMEZTETÉS

**Kerülje a bőrre és szembe kerülést!**

Az ásványi olaj termékek és az olajok is zsírtalanítják a bőrt. Az ismételt és hosszabb expozíció után a bőr kiszárad. Ennek bőrbetegségek lehetnek a következményei. Ezen kívül allergiás reakciók is felléphetnek.

Az olaj szembe kerülése irritációhoz vezet. Szembe kerülés esetén az érintett szemet azonnal öblítse ki tiszta vízzel. Fennmaradó irritáció esetén keresen fel egy orvost!

## 15. Ártalmatlanítás és újrahasznosítás

### A csomagolásra vonatkozó megjegyzések



A csomagolóanyagok újrahasznosíthatók. Kérjük, ártalmatlanítsa a csomagolásokat környezetbarát módon.

**Az elhasználandó készülék ártalmatlanítási lehetőségeiről a helyi önkormányzatnál tájékozódhat.**

## Üzemanyagok és olajok

- A készülék ártalmatlanítása előtt le kell üríteni az üzemanyagtartályt és a motorolaj tartályát!
- Az üzemanyag és a motorolaj nem minősül kommunális hulladéknak, és nem szabad a csatornába önteni, ezek szelektíven gyűjtendők, illetve le kell adni őket ártalmatlanításra!

- Az üres olajoskannákat és üzemanyagtartályokat ártalmatlanítsa környezetbarát módon.

## 16. Hibaelhárítás

Üzemzavar	Lehetséges ok	Megoldás
Nem indul el a motor, vagy elindul, de nem működik tovább.	Helytelen indítási folyamat.	Vegye figyelembe a jelen útmutató utasításait.
	Helytelenül beállított porlasztókeverék.	Megbízott ügyfélszolgálattal állítsa be a porlasztót.
	Kormos gyújtógyertya.	Tisztítsa meg/állítsa be vagy cserélje ki a gyújtógyertyát.
	Eltömődött üzemanyagszűrő.	Cserélje ki az üzemanyagszűrőt.
Elindul a motor, de nem teljes teljesítménnyel működik.	Szennyezett légszűrő	Távolítsa el, tisztítsa meg és helyezze vissza a szűrőt.
	Helytelenül beállított porlasztókeverék.	Megbízott ügyfélszolgálattal állítsa be a porlasztót.
Akadozik a motor	Helytelenül beállított porlasztókeverék.	Megbízott ügyfélszolgálattal állítsa be a porlasztót.
Terhelésnél nincs teljesítmény	Helytelenül beállított gyújtógyertya.	Tisztítsa meg/állítsa be vagy cserélje ki a gyújtógyertyát.
Ugrálva jár a motor	Helytelenül beállított porlasztókeverék.	Megbízott ügyfélszolgálattal állítsa be a porlasztót.
Túlágoson sok füst.	Helytelen üzemanyag-keverék.	Megfelelő üzemanyag-keveréket (1:40 arány) használjon.
Terhelésnél nincs teljesítmény	Tompa lánc vagy laza lánc	Élezze meg a láncot vagy helyezzen be egy újat. Feszítse meg a láncot.
A motor lefullad	Üres benzintartály vagy az üzemanyagszűrő helytelenül lett elhelyezve a tartályba.	Töltse fel a benzintartályt. Teljesen töltse fel a benzintartályt, vagy másképpen helyezze el az üzemanyagszűrőt a benzintartályban.
Nem elegendő láncketés (a vezetőlemez és a lánc felmelegszik)	Üres lánckenőolaj-tartály	Töltse fel a lánckenő olaj tartályát.
	Eltömődtek az olajozó furatok	Tisztítsa meg a vezetőlemezben lévő olajozó nyílást. Tisztítsa meg a vezetőlemez vágatát.

A termék megnevezése: Benzines faápoló fűrés	Gyártási szám: 403506_2204
A termék típusa: PBBPS 700 A1	
A gyártó cégneve, címe, e-mail címe:  <b>Scheppach GmbH</b> <b>Günzburger Straße 69</b> <b>DE-89335 Ichenhausen</b>  <b>E-mail cím: (HU):</b> service.HU@scheppach.com	Szerviz neve, címe, telefonszáma:  <b>ATISGEP Kft</b> <b>Szentesi út 100</b> <b>HU - 5903 Orosháza</b>  <b>Szerviz forródrót:</b> 00800 4003 4003 (0,00 Ft./perc)
Az importáló/ forgalmazó neve és címe: Lidl Magyarország Kereskedelmi Bt., H-1037 Budapest, Rádl árok 6.	

- A jótállási idő a Magyarország területén, Lidl Magyarország Kereskedelmi Bt. üzletében történt vásárlás napjától számított 1 év, amely jogvesztő. A jótállási idő a fogyasztó részére történő átadással, vagy ha az üzembe helyezést a forgalmazó, vagy annak megbízottja végzi, az üzembe helyezés napjával kezdődik.
- A jótállási igény a jótállási jeggyel és/vagy a vásárlást igazoló blokkal érvényesíthető. A jótállási jegy szabálytalan kiállítás, vagy átadásának elmaradása nem érinti a jótállási kötelezettség-vállalás érvényességét. Kérjük, hogy a vásárlás tényének és időpontjának bizonyítására őrizze meg a pénztári fizetésnél kapott jótállási jegyet és a vásárlást igazoló blokkot.
- A vásárlástól számított három munkanapon belül érvényesített csereigény esetén a forgalmazó köteles a terméket kicserélni, feltéve ha a hiba a rendeltetészerű használatot akadályozza. A jótállási jogokat a termék tulajdonosaként a fogyasztó érvényesítheti az áruházakban, valamint a jótállási tájékoztatóban feltüntetett szervizekben. (A magyar Polgári Törvénykönyv alapján fogyasztónak minősül a szakmája, önálló foglalkozása vagy üzleti tevékenysége körén kívül eljáró természetes személy.)  
A jótállás ideje alatt a fogyasztó hibás teljesítés esetén kérheti a termék kijavítását, kicserélését, vagy ha a termék nem javítható vagy cserélhető, vagy az a forgalmazónak aránytalan többletköltséggel járna, illetve a fogyasztó kijavításához, kicseréléshez fűződő érdeke alapos ok miatt megszűnt, árszállítást kérhet, vagy elállhat a szerződéstől és visszakérheti a vételárat. A kijavítás során a termékbe csak új alkatrész kerülhet beépítésre.
- A fogyasztó a hiba felfedezése után a lehető legrövidebb időn belül köteles a hibát bejelenteni és a terméket a jótállási jogok érvényesítése céljából átadni. A hiba felfedezésétől számított két hónapon belül bejelentett jótállási igényt időben közölnök kell tekinteni. A közlés elmaradásából eredő kárért a fogyasztó felelős. A jótállási igény érvényesíthetőségének határideje a termék, vagy fődarabjának kicserélése esetén a csere napján újraindul.
- A rögzített bekötésű, illetve a 10 kg-nál súlyosabb, vagy tömegközlekedési eszközön nem szállítható terméket az üzemeltetés helyén kell megjavítani. Abban az esetben, ha a javítás a helyszínen nem végezhető el, a termék ki- és visszaszereléséről, valamint szállításáról a forgalmazónak kell gondoskodnia.
- A jótállás nem áll fenn, ha a hiba a nem rendeltetészerű használatból, átalakításból, helytelen tárolásból, vagy a használati utasítástól eltérő kezelésből, vagy bármely a vásárlást követő behatásból fakad, vagy elemi kár okozta, és azt a forgalmazó, vagy a szerviz bizonyítja. A jótállás nem vonatkozik a mozgó kopó alkatrészek (világítótestek, gumiabroncsok stb.) rendeltetészerű elhasználódására. A szerviz és a forgalmazó a kijavítás során nem felel a terméken a fogyasztó vagy harmadik személyek által tárolt adatokért vagy beállításokért.

7. Fogyasztói jogvita esetén a fogyasztó a megyei (fővárosi) kereskedelmi és iparkamarák mellett működő békéltető testület eljárását is kezdeményezheti.  
A jótállás a fogyasztó törvényből eredő szavatossági jogait és azok érvényesíthetőségét nem érinti.



A [www.lidl-service.com](http://www.lidl-service.com) weboldalon lehetősége van ennek és még sok más ismertetőnek, termékvideónak és installációs szoftvernek a letöltésére.

A QR-kóddal közvetlenül a Lidl szervizoldalára jut ([www.lidl-service.com](http://www.lidl-service.com)), ahol a 403506\_2204 cikkszám (IAN) megadásával megnyithatja a termék kezelési útmutatóját.

Kijavítást ellenőrző szelvény:

A jótállási igény bejelentésének időpontja:	A hiba oka:
Javításra átvétel időpontja:	A hiba javításának módja:
A fogyasztó részére történő visszaadás időpontja:	
A szerviz bélyegzője, kelt és aláírás:	

Kicserélést ellenőrző szelvény:

A jótállási igény bejelentésének időpontja:	
Kicserélés időpontja:	
A cserélő bolt bélyegzője, kelt és aláírás:	



---

1.	Razlaga simbolov na napravi .....	271
2.	Napotek za uporabnika.....	272
3.	Uvod .....	273
4.	Opis naprave .....	273
5.	Obseg dostave.....	273
6.	Namenska uporaba.....	274
7.	Varnostni napotki .....	274
8.	Tehnični podatki .....	279
9.	Pred zagonom.....	279
10.	Zagon .....	281
11.	Uporaba.....	283
12.	Prevoz .....	286
13.	Čiščenje in vzdrževanje.....	286
14.	Skladiščenje.....	289
15.	Odlaganje med odpadke in reciklaža .....	290
16.	Pomoč pri motnjah .....	291
17.	Garancijski list.....	292
18.	Eksplodzijska risba.....	398
19.	Izjava o skladnosti .....	400



## 1. Razlaga simbolov na napravi

 <p>Preberite, razumite in upoštevajte vsa opozorila.</p>	 <p>Preden začnete uporabljati napravo, preberite celotna navodila za uporabo.</p>
 <p>Opozorilo! Nevarnost povratnega udara (kickback). Zaščitite se pred povratnim udarcem verižne žage in preprečite stik s konico tirnice.</p>	 <p>Naprave ne uporabljajte v dežju ali vlažnih pogojih.</p>
 <p>Nosite zaščitna očala. Nosite zaščito sluha.</p>	 <p>Nosite zaščitno čelado.</p>
 <p>Kadar uporabljate napravo, vedno nosite varnostne in protivibracijske rokavice.</p>	 <p>Kadar uporabljate napravo, vedno nosite nedrseče varnostne čevlje z zaščito za rezanje.</p>
 <p>Pomembno je, da nosite zaščitna oblačila za stopala, noge, roke in pazduhe.</p>	 <p>Verižno žago vedno upravljajte z obema rokama. Z verižno žago ne delajte z eno roko.</p>
 <p>Pozor! Uporaba verižne žage v kombinaciji s tehnikami plezanja z vrvo. Pred začetkom dela preberite vse napotke za delo!</p>	 <p>Prepovedite odprti ogenj v delovnem območju!</p>
 <p>Odprtna za dolivanje goriva. Mešanica olja in goriva 1 : 40</p>	 <p>Smer vrtenja</p>
 <p>Pokrovček rezervoarja za olje za verigo</p>	 <p>Nastavitev zavore verige: Bela puščica: neaktivirana zavora verige Črna puščica: aktivirana zavora verige</p>
 <p>Zagonska ročica za hladni zagon (dušilka)</p>	 <p>Sprostitev zavore verige</p>
 <p>Aktiviranje zavore verige</p>	 <p>Smer vgradnje verige žage</p>
 <p>Nastavitev mazanja verige</p>	 <p>Zagotovljen nivo moči zvoka naprave.</p>

	<p>Pozor! Vroči deli.</p>	 <p>push primer 6 times</p>	<p>Črpalko za gorivo (Primer) pritisnite 6-krat.</p>
<p><b>NEVARNOST</b></p>	<p>Signalna beseda za označevanje neposredno grozeče nevarne situacije, zaradi katere pride do smrti ali hudih telesnih poškodb, če se ne prepreči.</p>		
<p><b>OPOZORILO</b></p>	<p>Signalna beseda za označevanje možne nevarne situacije, zaradi katere lahko pride do smrti ali hudih telesnih poškodb, če se ne prepreči.</p>		
<p><b>PREVIDNO</b></p>	<p>Signalna beseda za označevanje možne nevarne situacije, zaradi katere lahko pride do majhnih ali zmernih poškodb, če se ne prepreči.</p>		
<p><b>NAPOTEK</b></p>	<p>Signalna beseda za označevanje možne nevarne situacije, zaradi katere lahko pride do materialne škode na izdelku ali lastnini, če se ne prepreči.</p>		

## 2. Napotek za uporabnika

### OPOZORILO:

**Pred prvim zagonom temeljito preberite navodila za uporabo svoje naprave, še posebej upoštevajte varnostne napotke! Žago za nego dreves lahko uporabljajo samo »upravljavci žag za nego dreves z dodatno izobrazbo za delo na višini ali z lestvami s košem oz. v tehnikah plezanja z vrvjo«!**

**Navodila za uporabo shranite na varen način!**

### Napotek:

**Upoštevajte, da nekateri nacionalni predpisi lahko omejijo uporabo stroja.**



Ta žaga za nego dreves je predvidena posebej za nego dreves in drevesno kirurgijo. Vsa dela z žago za nego dreves so predvidena posebej za nego dreves in drevesno kirurgijo. Dela s to žago za nego dreves lahko izvajajo samo usposobljeni upravljavci žag za nego dreves!

### 3. Uvod

#### PROIZVAJALEC:

**Scheppach GmbH**  
Günzburger Straße 69  
D-89335 Ichenhausen

#### SPOŠTOVANI KUPEC,

želimo vam veliko veselja in uspeha pri delu z vašo novo napravo.

#### NAPOTEK:

Proizvajalec te naprave skladno z veljavnim zakonom o odgovornosti za izdelke ne jamči za poškodbe na tej napravi ali poškodbe s to napravo, do katerih pride pri:

- nepravilnem ravnanju,
- neupoštevanju navodil za uporabo,
- popravilih, ki jih izvedejo tretji, nepooblaščen strokovnjaki,
- vgraditvi neoriginalnih nadomestnih delov in zamenjava z njimi,
- nenamenski uporabi.

#### Upošteвайте naslednje:

Pred montažo in zagonom preberite celotno besedilo navodil za uporabo.

Ta navodila za uporabo vam olajšajo spoznati napravo in izkoristiti njene možnosti uporabe, ki so v skladu z določili.

Navodila za uporabo vsebujejo pomembne napotke o varnem, strokovnem in ekonomičnem delu z napravo, o izogibanju nevarnostim, prihranku stroškov za popravila, zmanjšanju časov izpada in povečanju zanesljivosti ter življenjske dobe naprave.

Poleg varnostnih določil v teh navodilih za uporabo morate nujno upoštevati predpise svoje države, ki veljajo za uporabo naprave.

Navodila za uporabo shranite poleg naprave, ovita v plastični ovitek, tako da bodo zaščiteni pred umazanijo in vlago. Pred sprejemom dela mora vsaka upravljalna oseba prebrati in skrbno upoštevati omenjena navodila.

Na napravi lahko delajo samo osebe, ki so poučene o uporabi naprave in o nevarnostih, ki so povezane s tem. Upoštevajte zahtevano najnižjo starost.

Poleg varnostnih napotkov iz teh navodil in posebnih predpisov vaše države morate pri uporabi identičnih strojev upoštevati tudi splošno veljavna tehnična pravila.

Ne prevzemamo nikakršne odgovornosti za nezgode in poškodbe, nastale zaradi neupoštevanja teh navodil in varnostnih napotkov.

### 4. Opis naprave

1. Veriga žage
2. Vodilna tirnica
3. Sprednja zaščita rok
4. Črpalka za gorivo »Primer«
5. Ročica za plin
6. Zadnji ročaj
7. Blokada ročice za plin
8. Zaganjalna vrvica
9. Pokrov zračnega filtra
10. Zapiralo za pokrov zračnega filtra
11. Pokrov rezervoarja za olje za verigo
12. Sprednji ročaj
13. Pokrov rezervoarja za gorivo
14. Zagonka ročica za hladni zagon (dušilka)
15. Stikalo za vklop/izklop
16. Pritrdilne matice
17. Pokrov verižnika
18. Dušilnik zvoka
19. Oprema za obežanje
20. Ključ za vžigalne svečke/ploski izvijač
21. Pokrov vodilne tirnice
22. Posoda za mešanico
23. Vijak za napenjanje verige
24. Omejevalnik grabeža
25. Lovilnik verige
26. Zatič za napenjanje verige
27. Verižnik
28. Vodilni utor
29. Pritrdilni sorniki
30. Zobnik
31. Odprtina za mazanje
32. Vijak za reguliranje olja
33. zračni filter
34. Vžigalna svečka
35. Vtič vžigalne svečke
36. Sesalna glava

### 5. Obseg dostave

- Žaga za nego dreves
- Veriga žage
- Vodilna tirnica
- Pokrov vodilne tirnice
- Ključ za vžigalne svečke/ploski izvijač
- Posoda za mešanico

## 6. Namenska uporaba

Ta naprava je posebej lahka, priročna žaga za nego dreves z zgornjim ročajem. Žaga za nego dreves je bila razvita posebej za nego dreves in drevesno kirurgijo. To žago za nego dreves lahko uporabljajo samo »upravljavci žag za nego dreves z dodatno izobrazbo za delo na višini ali z lestvami s košem oz. v tehnikah plezanja z vrvjo«.

Za priložnostno uporabo na ozkem lesu, za nego sadnih dreves, obrezovanje vej, rezanje na ustrezno dolžino.

Les za kamin se lahko pripravlja samo, če premer lesa ne presega dolžine reza (20 cm).

Za ta dela priporočamo konvencionalno motorno žago z veliko razdaljo med ročaji oz. veliko dolžino reza.

Kdo ne sme uporabljati naprave:

Osebe, ki ne poznajo navodil za uporabo, otroci do 16. leta starosti in osebe, ki so pod vplivom alkohola, mamil ali zdravil, so utrujene ali bolne.

Naprava je skladno z namenom namenjena izključno žaganju lesa! Proizvajalec ne jamči za poškodbe, ki nastanejo zaradi nestrokovne uporabe ali napačnega upravljanja.

Napravo je dovoljeno uporabljati samo v skladu z njenim predvidenim namenom. Kakršna koli drugačna uporaba ni v skladu z namenom. Za škodo ali telesne poškodbe vseh vrst, ki izhajajo iz tega, je odgovoren uporabnik/upravljaec in ne proizvajalec.

Obvezno upoštevajte varnostne napotke in navodila za montažo ter navodila za uporabo v priročniku za uporabo, saj lahko le tako omogočite ustrezno uporabo.

Osebe, ki napravo upravljajo in vzdržujejo, morajo biti z njo seznanjeni in poučeni o morebitnih nevarnostih.

Poleg tega se je treba dosledno držati veljavnih ukrepov za preprečevanje nesreč.

Upoštevati je treba tudi druga splošna navodila s področja delovne medicine in varstva pri delu.

Spremembe na napravi v celoti izključujejo garancijo proizvajalca za poškodbe, do katerih pride kot posledica.

Prosimo, upoštevajte, da naše naprave namensko niso konstruirane za gospodarsko, obrtno ali industrijsko uporabo. Ne prevzemamo nobene odgovornosti, če napravo uporabljate v gospodarskih, obrtnih ali industrijskih obratih ter enakih dejavnostih.

## NEVARNOST

Proizvajalec te naprave skladno z veljavnim zakonom o odgovornosti za izdelke ne jamči za poškodbe na tej napravi ali poškodbe s to napravo, do katerih pride pri:

- vgraditvi neoriginalnih nadomestnih delov in zamenjava z njimi,
- Odstranitve ali spreminjanje varnostnih sestavnih delov.

### 6.1 Nenamenska uporaba

- Ta naprava ni primerna za podiranje dreves.
- Vodilne tirnice ne uporabljajte kot vzvoda za premikanje drevesnih debel in podobnega.
- Žaganje lesa s premerom, ki presega 20 cm, ni dovoljeno.

## 7. Varnostni napotki

### 7.1 Splošni napotki

#### OPOZORILO

Vedno bodite pozorni, pazite, kaj delate, in k delu z napravo pristopite z razumom. Naprave ne uporabljajte, če ste bolni ali utrujeni ali pod vplivom drog, alkohola ali zdravil. Trenutek nepozornosti pri uporabi naprave lahko privede do resnih telesnih poškodb.

Izogibajte se napačni uporabi, stroj uporabljajte le, kot je opisano v poglavju »Pravilna uporaba«.

V navodilih za uporabo so pomembni napotki za varno in strokovno uporabo verižne žage ter preprečevanje nevarnosti.

Če vseeno pride do blokade med rezalnim materialom in verigo žage, žago takoj izklopite. Počakajte, da se veriga žage ustavi. Za odstranitev blokade najprej odstranite vtič vžigalne svečke in si nadenite protivrezne zaščitne rokavice. Če morate vodilno tirnico (meč) odstraniti, upoštevajte navodila, ki so navedena v poglavju »Montaža«. Po odstranitvi blokade in ponovni montaži morate izvesti poskusni tek.

Če med tem zaznate vibracije ali mehaničen hrup, prekinite z delom in se obrnite na pooblaščen servisno mesto. Če se ta nevarnost pojavi pogosteje, vam priporočamo ponovno usposabljanje.

- Pred zagonom preberite navodila za uporabo vaše naprave, še posebej upoštevajte varnostne napotke.
- Opozorilne tablice in tablice z napotki, ki so nameščene na napravi posredujejo pomembne napotke za varno delo.
- Poleg napotkov v navodilih za uporabo je treba upoštevati še zakonsko predpisane splošne varnostne napotke in napotke za varstvo pred nesrečami.
- Pazite, da otroci ne pridejo v stik z embalažno folijo, ker obstaja nevarnost zadušitve!

- Nezadostno informirani upravljalci lahko z nestrokovno uporabo ogrozijo sebe in druge. Upravljavec je odgovoren za tretje osebe.
- Pred začetkom dela preverite delovanje ročice za plin. Ko ročico izpustite, se mora samodejno vrniti nazaj na položaj za prosti tek.
- Ne delajte več kot 10 minut naenkrat. Priporočljivo je, da med delovnimi fazami naredite 10–20 minut premora.
- Napravo posodite le uporabnikom, ki imajo izkušnje s tako napravo. Pri tem predajte tudi navodila za uporabo.
- Nekatere naloge terjajo specialno izobraževanje in posebne spretnosti. Če imate kakršnekoli dvome, se obrnite na strokovnjaka.
- Uporabniki, ki verižno žago uporabljajo prvič, naj se poučijo o lastnostih naprave. Za vašo varnost obiščite uradni tečaj varnega dela z motorno žago.
- Napravo v mirovanju odložite tako, da ne bo nihče ogrožen. Zavarujte pred nepooblaščenim dostopom.
- Za nesreče ali nevarnosti, ki zadevajo druge osebe ali njihovo imetje, je odgovoren upravljalcev.
- Otroci, mladostniki in osebe z zmanjšanimi fizičnimi, senzoričnimi ali mentalnimi sposobnostmi ne smejo uporabljati verižne žage. Izjema so le mladostniki nad 16 leti starosti v okviru izobraževanja pod nadzorom strokovnjaka.
- Električna vžigalna naprava žage ustvarja majhno elektromagnetno polje. Če uporabljate srčni spodbujevalnik ali podobne implantate, se pred uporabo naprave posvetujte s svojim zdravnikom, da se izognete zdravstvenim tveganjem.
- Nepravilno vzdrževanje, uporaba neskladnih nadomestnih delov ali spremembe na varnostnih pripravah lahko privedejo do škode na napravi in hudih poškodb osebe, ki z napravo dela.

## 7.2 Osebna varovalna oprema (OVO)

### ▲ NEVARNOST

Vedno uporabljajte osebno varovalno opremo, kot so zaščitna očala (vizir ali očala), zaščitna glave, rok, nog in stopal, primerne za plezanje po drevesih!

- Vedno nosite zaščitno čelado z zaščito za obraz oz. zaščitna očala in zaščito za sluh.
- Nosite prilagojena se zaščitna oblačila s protiturezno zaščitno plastjo.
- Nosite varnostne čevlje, odporne proti drsenju.
- Nosite zaščitne rokavice.
- Ne uporabljajte širokih oblačil, ki se lahko zataknejo.
- Ne nosite šalov, kravat in nakita!
- Če imate dolge lase, nosite mrežico za lase!

- Pri vseh delih v gozdu nosite zaščitno čelado. Le-ta nudi zaščito pred padajočimi vejami. Redno preverjajte, ali je zaščitna čelada poškodovana. Zamenjajte jo najkasneje po 5 letih. Uporabljajte samo atestirane zaščitne čelade.
- Zaščita za obraz oz. zaščitna očala zadržijo žagine ostružke in lesni drobir. Pri delu z napravo vedno nosite zaščito za obraz oz. zaščitna očala, da ne pride do poškodb oči.
- Vedno nosite zaščito za sluh. Hrup, ki ga oddaja naprava, lahko privede do poškodb sluha.
- Nosite robustne zaščitne rokavice iz odpornega materiala, kot npr. usnje.
- Pri žaganju suhega lesa uporabljajte masko za zaščito pred prahom. Lahko se tvori žagin prah.
- Pri delu na drevesu lahko uporabnik pade. Uporabnik se lahko resno poškoduje ali ubije. Nosite opremo za zaščito pred padci.

## 7.3 Skladiščenje in transport

- Pred vsakim prevažanjem izklopite verižno žago, tudi pri krajših razdaljah. Vključite zavoro verige in namestite zaščito verige.
- Pri prevažanju in skladiščenju uporabljajte zaščito verige.
- Stroj med prevažanjem zavarujte (tudi v vozilih), da preprečite prevračanje, izgubo goriva, materialne škode ali osebne poškodbe.
- Napravo nosite le za sprednji ročaj. Vodilna tirnica je pri tem obrnjena nazaj, proč od vašega telesa.
- Vročo zvočno izolacijo držite proč od telesa. Obstaja nevarnost opeklin!
- Pred skladiščenjem verižno žago očistite in opravite vzdrževanje.
- Napravo skladiščite na varnem in suhem mestu. Zavarujte jo pred nepooblaščenim dostopom.

## 7.4 Okoljska varnost

- Nacionalni in/ali komunalni pravilniki lahko časovno omejujejo uporabo motornih naprav, ki povzročajo hrup. O tem se pozanimajte pri vaši komunalni upravi.
- Naprave ne smete uporabljati v notranjih ali drugih slabo prezračenih prostorih. Obstaja nevarnost zadušitve zaradi strupenih izpušnih plinov/hlapov mazalnega olja.
- Dela izvajajte le pri dnevni svetlobi.
- Ne delajte ob neugodnih vremenskih pogojih, npr. pri dežju ali vetru. V takih razmerah obstaja povečano tveganje za nesreče.
- Vaše delovno mesto mora biti vedno čisto in pospravljen.

- Pred in med delom se vam otroci, druge osebe in živali ne smejo približevati. Če odvrnete pozornost od dela, lahko izgubite nadzor nad napravo.
- Pred začetkom dela zagotovite, da v območju nevarnosti naprave ni nobenih oseb, živali ali vrednih predmetov.
- Ne delajte v bližini žičnih ograj ali na območju, kjer leži stara žica.
- Pripravite sredstvo za gašenje, če delate v lahko vnetljivem območju, kot npr. na suhi travi itd. Obstaja nevarnost požara!

## 7.5 Napolnite rezervoar za gorivo

- Bencin je zelo lahko vnetljiv. Pri dolivanju goriva ostanite na varni razdalji od odprtega ognja in pri tem ne kadite. Obstaja nevarnost požara!
- Pazite, da ne polijete bencina. Bencin ali olje za verigo ne smeta priti v zemlino. V pomoč naj vam bodo primerne podlage.
- Gorivo dolivajte samo v dobro prezračeni območjih. Bencinski hlapi se zlahka vnamejo ali eksplozirajo.
- Pred dolivanjem goriva izklopite motor in počakajte, da se naprava ohladi. Če ste polili bencin, takoj očistite polita mesta. Pazite, da na vašo oblačila ne polijete goriva, sicer oblačila takoj zamenjajte.
- Izogibajte se tudi stiku kože in oči z bencinom ali mazivi (oljem).
- Ne vdihavajte bencinskih hlapov/hlapov mazalnega olja.
- Pazite na netesna mesta. Če izteka bencin, ne zaženite motorja. Obstaja nevarnost zaradi opeklin.
- Pokrov rezervoarja odprite previdno, da počasi sprostite čezmerni nadtlak, in da bencin ne brizga ven.

## 7.6 Pred zagonom

### OPOZORILO

Kontrole izvajajte vedno pred zagonom in pri izklopljenem motorju.

Pred vsako uporabo in po padcu na tla preglejte napravo in se prepričajte, ali je v stanju, ki zagotavlja varno obratovanje. Preverite, ali vsi premični deli brezhibno delujejo. Veliko nesreč se zgodi zaradi slabo vzdrževanih orodij. Poškodovane dele naj popravi kvalificiran strokovnjak.

Verižno žago in pribor uporabljajte samo v skladu s temi navodili. Pri tem upoštevajte delovne pogoje in opravilo, ki ga je treba izvršiti. Uporaba motornih orodij v namene, za katere niso predvidena, lahko vodi do nevarnih situacij.

- Redno preverjajte, ali zavora verige deluje (sprednja zaščita rok, glejte sl. 2).

- Preverite, ali je vodilna tirnica pravilno nameščena.
- Preverite verigo žage, ali je pravilno napeta. Upoštevajte navodila za mazanje, napetost verige in menjavo pribora. Nepravilno napeta ali namaščena veriga se lahko strga ali pa poveča tveganje za povratni udarec.
- Rezalna orodja morajo biti ostra in čista. Redno jih brusite in obrabljene dele pravočasno zamenjajte. Skrbno negovana rezalna orodja z ostrimi rezalnimi robovi se manj zatikajo in jih je mogoče lažje voditi.
- Preverite, ali se ročica za plin in blokada ročice za plin zlahka premikata. Ročica za plin mora sama skočiti nazaj v izhodiščni položaj.
- Preverite, ali je v rezervoarjih dovolj goriva in olja za mazanje verige.
- Preverite, ali so ročaji čisti, suhi, na njih ni olja in umazanije.
- Del nikoli ne izvajajte sami. V nujnem primeru mora biti nekdo v bližini.
- Verižno žago uporabljajte le, ko stojite na trdni, varni in ravni podlagi. Izogibajte se nenaravni telesni drži. Spolzka podlaga ali nestabilne stojne površine (npr. na lestvi) lahko privedejo do izgube ravnotežja ali nadzora nad verižno žago. Pazite, da stojite varno in da vedno ohranjate ravnotežje. Tako lahko verižno žago v nepričakovanih situacijah bolje kontrolirate.
- Z verižno žago ne delajte na drevesu. Pri uporabi na drevesu obstaja nevarnost poškodbe.
- Nikoli ne žagajte nad višino ramen.
- Verižno žago vedno držite z desno roko za zadnji ročaj in z levo roko za sprednji ročaj. Držanje verižne žage v drugem delovnem položaju poveča tveganje za poškodbe, zato ni dovoljeno.
- Ko verižna žaga deluje, držite vse dele telesa proč od verige žage. Pred zagonom verižne žage se prepričajte, da se veriga žage ničesar ne dotika. Pri delu z verižno žago lahko trenutek nepozornosti povzroči, da se v verigo žage ujamejo oblačila ali deli telesa.
- Če opazite občutne spremembe v delovanju naprave, takoj izključite verižno žago.
- Če je verižna žaga prišla v stik s kamni, žebelji ali drugimi trdimi predmeti, takoj zaustavite motor in preverite, ali sta veriga žage in vodilna tirnica poškodovani.
- Pazite, da vam verižna žaga ne pade, ne udarjate ob ovire in nikoli ne uporabljajte vodilne tirnice kot ročico.
- Z verižno žago žagajte le v les.
- Pri žaganju veje, ki je napeta, računajte, da jo bo odneslo nazaj. Ko se napetost v lesnih vlaknih sprosti, lahko napeta veja zadane upravljavca in/ali mu izpod nadzora izbije verižno žago.

- Zlasti bodite pozorni pri žaganju podrastja in mladih dreves. Tanek material se lahko ujame v verigo žage in vas udari ali vam poruši ravnotežje.

## 7.7 Vibracije

### OPOZORILO

Izognite se tveganjem zaradi vibracij, npr. tveganje za sindrom belih prstov (motnje prekrvitve) s pogostimi premori med delom, med katerimi dlani drgnete eno ob drugo.

- Vedno nosite zaščitne rokavice in pazite, da so vaše roke tople.
- Pazite, da je veriga vedno ostra.
- Med delom redno delajte premore.

## 7.8 Previdnostni ukrepi pred povratnim udarcem

### OPOZORILO

Pri delu pazite na povratni udarec naprave. Obstaja nevarnost poškodbe. Povratnim udarcem se izognete s previdnostjo in pravilno tehniko žaganja.

- Dotik s konico tirnice lahko v nekaterih primerih vodi do nepričakovane, nazaj usmerjene reakcije, pri kateri vodilno tirnico vrže navzgor in v smeri upravljavca.
- Do povratnega udarca lahko pride, ko se konica vodilne tirnice dotakne predmeta ali se les upogne in se veriga žage zagozdi v rezu.
- Zagozdena veriga žage na zgornjem robu vodilne tirnice lahko verižno žago hitro in nenadzorovano vrže nazaj v smeri upravljavca.
- Zagozdena veriga žage na spodnjem robu vodilne tirnice lahko verižno žago hitro in nekontrolirano povleče proč od upravljavčeve smeri.
- Bodite zelo previdni, ko verigo verižne žage za nadaljnje žaganje vstavite v že začeti rez.
- Ne žagajte vej ali lesnih kosov, ki bi lahko med žaganjem spremenili svoj položaj ali pri katerih se rez med potekom žaganja zapre.
- Vsaka od teh reakcij lahko povzroči, da izgubite nadzor nad žago in se morda hudo poškodujete. Ne zanašajte se le na varnostne priprave, ki so vgrajene v verižno žago. Kot uporabnik verižne žage izvedite različne ukrepe, da boste delo opravili brez nesreč in poškodb.

Povratni udarec je posledica napačne ali pomanjkljive uporabe. Preprečiti ga je mogoče s primernimi previdnostnimi ukrepi, ki so opisani v nadaljevanju:

- Žago držite z obema rokama, pri čemer naj palec in prsti objemajo ročaje verižne žage. Svoje telo in roke premaknite v položaj, v katerem lahko prestežete sile povratnega udarca. Če so izvedeni ustrezni ukrepi, lahko upravljavac obvlada sile povratnega udarca. Nikoli ne izpustite verižne žage.
- Izogibajte se neobičajni telesni drži in ne žagajte nad višino ramen. Tako se izognete nehotenemu dotiku s konico tirnice, omogočen pa je tudi boljši nadzor verižne žage v nepričakovanih situacijah.
- Uporabljajte samo nadomestne tirnice in verige žage, ki jih je predpisal proizvajalec. Napačne nadomestne tirnice in verige žage lahko vodijo do trganja verige žage in/ali do povratnega udarca.
- Glede brušenja in vzdrževanja verige žage ravnajte skladno z navodili proizvajalca. Prenizki omejevalniki globine povečajo možnost za povratni udarec.
- Ne žagajte s konico meča žage. Obstaja nevarnost povratnega udarca. (sl. 7)
- Zagotovite, da v območju žaganja ni nobenih žebeljev ali kosov kovine. Posebej pazite na žeblje ali železne kose v okolici območja žaganja. Previdni bodite tudi pri žaganju trdega lesa, pri katerem se veriga lahko zatakne. Tako lahko pride do povratnega udarca.
- Rez začinite s polno močjo in med žaganjem vedno vzdružite najvišjo hitrost verižne žage.
- Poskrbite, da na tleh ne ležijo predmeti, prek katerih bi se lahko spotaknili.

## 7.9 Obnašanje in tehnika pri delu

- Delajte samo, če je vidljivost dobra in osvetlitev primerna. Še posebej pazite na poledico, mokre predele, led in sneg (nevarnost zdrsa). Višja nevarnost zdrsa obstaja tudi na sveže olupljenem lesu (lubje).
- Nikoli ne delajte na nestabilnih podlagah. Pazite na ovire v delovnem območju – nevarnost spotikanja. Vedno pazite, da bo vaša drža varna.
- Nikoli ne žagajte nad višino ramen.
- Nikoli ne žagajte iz lestve.
- Z verižno žago ne plezajte na drevo in ne izvajajte del brez ustreznih zadrževalnih sistemov za ljudi in stroj. Priporočamo, da dela vedno izvajate iz delovnega odra.
- Ne delajte v preveč sklonjeni drži.
- Verižno žago vodite tako, da v razširjenem območju obračanja verižne žage ne bo nobenega telesnega dela.
- Z verižno žago žagajte samo les.

- Z delujočo verigo žage se ne dotaknite tal.
- Območje rezanja očistite tujkov, kot so pesek, kamni, žebliji itd. Tujki poškodujejo sistem za žaganje in lahko povzročijo nevarne povratne udarce (kickback) poleg tega pa lahko povzročijo tudi odboj žage vstran.
- Pri žaganju razžaganega lesa uporabljajte varno podlago (če je možno kozo za žaganje). Lesa ne smete zadrževati s stopalom oziroma z drugo osebo.
- Les z okroglo obliko morate nujno zavarovati pred vrtenjem med rezanjem.
- Nikoli ne delajte brez krempljastega naslona, verižna žaga lahko upravljavca sunkovito povleče v smeri naprej. Krempljasti naslon uporabljajte za rezanje drevesnih debel ali debelih vej. Uporaba krempljastega naslona poveča delovno varnost, zmanjša osebno obremenitev pri delih in vibracije.
- Pri rezanju za podiranje in prirezovanje morajo biti nazobčane letve (krempljasti naslon) prislonjene na les, ki ga boste rezali. Uporaba nazobčane letve se priporoča tudi pri žaganju debelih vej.
- Pred vsakim obrezovalnim rezom dobro prislonite nazobčano letvo, šele nato s tekočo verigo žage zarezite v les. Žago pri tem dvigujte za zadnji ročaj in vodite z ločnim ročajem. Nazobčana letvo se uporablja kot vrtilišče. Ponovno prilagajanje izvedete z lahkim pritiskom na ločni ročaj. Verižno žago pri tem povlecite malce nazaj. Nazobčano letvo nastavite globlje in ponovno dvignite zadnji ročaj.
- Pri rezanju lesa, razcepljenega na trske, bodite previdni. Odžagane delce lesa lahko odtrga skupaj z žago (nevarnost poškodb).
- Če se veriga žage pri rezanju z zgornjim delom tirnice zatakne, lahko verižno žago potisne v smer upravljavca. Zaradi tega je treba po možnosti žaganje izvajati s spodnjo stranjo tirnice, ker verižno žago vleče proč od telesa v smeri lesa.
- Les pod napetostjo je treba najprej zarezati na strani pritiska. Šele nato lahko začnete z ločevalnim rezom na strani vleka. S tem se prepreči, da bi se tirnica zataknila.
- Če delate na drevesu, vam lahko motorna žaga pade. Pri tem lahko pride do hudih poškodb ljudi in materialne škode. Motorno žago zavarujte z opremo za obešanje.
- Preden verigo žage speljete v območje rezanja, lahko pride do stranskega potiska ali skoka motorne žage.

## **⚠ POZOR**

### **Povečano tveganje povratnega udara!**

Če želite v trenutku »popolnega prereza« ohraniti popoln nadzor, proti koncu reza zmanjšajte pritiskni tlak, ne da bi popustili trd prijem ročajev verižne žage.

Pazite, da se veriga žage ne dotakne tal. Ko končate z rezom, počakajte, da se veriga žage popolnoma zaustavi, preden odstranite verižno žago. Pred prehodom z enega na drugo drevo vedno zaustavite motor verižne žage.

## **⚠ OPOZORILO**

Pri daljših delih lahko zaradi vibracij pride do motenj prekrvavitve v rokah upravljavca (sindrom belih prstov).

Sindrom belih prstov je bolezen ožilja, pri kateri se majhne krvne žile v prstih na rokah in nogah krčijo, kot da bi prišlo do napada. Prizadeta območja ne dobijo več dovolj krvi in postanejo zelo bleda. Pogosta uporaba vibrirajočih naprav lahko pri osebah, ki imajo ovirano prekrvavitve (npr. kadilci, diabetiki), povzroči poškodbe živcev.

Če opazite nenavadne pojave, takoj končajte z delom in obiščite zdravnika.

Upošteвайте naslednje napotke, da zmanjšate tveganja:

- Ob hladnem vremenu ohranjajte svoje telo in zlasti roke tople.
- Redno delajte premore in pri tem premikajte dlani, da pospešite prekrvavitve.
- Z rednim vzdrževanjem in fiksno pritrjenimi deli na napravi poskrbite za čim manjše vibriranje stroja.

## **7.10 Preostala tveganja**

### **⚠ NEVARNOST**

#### **NEVARNOST POŠKODBE!**

Stik z verižno žago lahko privede do smrtno nevarnih ureznin. Nikoli ne segajte z rokami v delujočo verižno žago.

#### **NEVARNOST POV RATNEGA UDARCA!**

Povratni udarec lahko privede do smrtno nevarnih ureznin.

#### **NEVARNOST OPEKLIN!**

Veriga in vodilna tirnica se med delovanjem segrejata.

**Naprava je izdelana v skladu z naj sodobnejšimi tehnologijami in priznanimi varnostnimi pravili. Kljub temu lahko pride pri delu do pojava ostalih tveganj.**

Kljub vsem ukrepom lahko še vedno obstajajo neočitna preostala tveganja.

Ostala tveganja lahko minimizirate, če skupaj upoštevate »varnostne napotke« in »namensko uporabo« ter navodila za uporabo.



## 8. Tehnični podatki

Stroj brez meča

Dolžina x širina x višina.....	270 x 230 x 240 mm
Teža brez goriva, brez rezalne garniture pribl. ....	3,4 kg
Teža brez goriva, z rezalno garnituro pribl. ....	3,8 kg
Rezervoar olja za mazanje verige .....	0,16 l
Kapaciteta rezervoarja za gorivo .....	0,23 l
Mešanica olja in goriva.....	1:40
Dolžina reza .....	20 cm
Dolžina meča.....	30 cm
Samodejno oljenje verige .....	da
Pogonski korak verige.....	3/8" (9,525 mm)
Debelina člena verige.....	1,27 mm
Vrsta verige .....	3/8LP-40
Število zob pogonskega verižnega kolesa .....	6
Pogonski korak pogonskega verižnega kolesa .....	3/8"
Tip meča.....	AP10-40-509P
Hitrost verige maks.....	21 m/s
Motor.....	1-valjni, 2-taktni, zračno hlajen
Delovna prostornina motorja .....	25,4 cm <sup>3</sup>
Maks. moč motorja v skladu s standardom ISO 7293 .....	0,7 kW
Število vrtljajev v prostem teku n <sub>0</sub> .....	3300 ± 300 min <sup>-1</sup>
Maksimalno število vrtljajev z rezalno garnituro ...	11000 min <sup>-1</sup>
Vžigalna svečka .....	L8RTC

**Raven zvočnega tlaka je treba glede na uporabo in izvajane dejavnosti zmanjšati toliko, da ne bo prišlo do vpliva na zdravje upravljavca. Raven zvočnega tlaka na delovnem mestu lahko preseže 80 dB (A). V tem primeru so za uporabnika potrebni ukrepi za zaščito pred hrupom (nošenje zaščite za sluh).**

**Nastajanje hrupa in vibracij omejite na minimum!**

- Uporabljajte samo brezhibne naprave.
- Redno vzdržujte in čistite napravo.
- Svoj način dela prilagodite napravi.
- Ne preobremenite naprave.
- Po potrebi predajte napravo v pregled.
- Izklopite napravo, ko je ne uporabljate.
- Nosite rokavice.

Izmerjena raven zvočnega tlaka L <sub>pA</sub> .....	99,2 dB
Nezanesljivost K <sub>pA</sub> .....	3 dB
Zajamčeni nivo moči zvoka L <sub>WA</sub> .....	113 dB
Izmerjeni nivo zračne moči L <sub>WA</sub> .....	108,7 dB
Negotovost K <sub>WA</sub> .....	3 dB
Vibracije, sprednji ročaj.....	8,98 m/s <sup>2</sup>
Vibracije, zadnji ročaj.....	8,03 m/s <sup>2</sup>
Negotovost .....	1,5 m/s <sup>2</sup>

### Nosite zaščito za sluh.

Zaradi vpliva hrupa lahko oglušite.

Navedene vrednosti emisij hrupa so bile izmerjene po standardiziranem preizkusnem postopku in jih lahko uporabite za primerjavo naprave z drugo.

Navedene vrednosti emisij hrupa lahko uporabite tudi začasno oceno obremenitve.

### Opozorilo:

- Emisije hrupa lahko med dejansko uporabo električne naprave odstopajo od navedenih vrednosti, odvisno od vrste in načina uporabe električne naprave; še posebej od vrste obdelovanca, s katerim delate.
- Potrudite se, da bo obremenitev čim nižja. Primer ukrepa: omejitev delovnega časa. Pri tem je treba upoštevati vse faze delovnega cikla (na primer čase, ko je naprava izklopljena, in takšne, ko je sicer vklopljena, ampak deluje brez obremenitve).

## 9. Pred zagonom

1. Odprite embalažo in napravo previdno vzemite ven.
2. Odstranite embalažni material ter embalažna in transportna varovala (če obstajajo).
3. Preverite, ali je obseg dostave celovit.
4. Preverite, če so se naprava in deli pribora poškodovali med transportom.
5. Po možnosti embalažo shranite do preteka garancijskega časa.
6. Upoštevajte kratka grafična navodila za zaganjalno vrstico (8).

### POZOR

Naprava in embalažni material nista otroški igrači! Otroci se ne smejo igrati s plastičnimi vrečkami, folijami in majhnimi deli! Obstaja nevarnost, da jih pogoltnjejo in se z njimi zadušijo!

## 9.1 Montaža vodilne tirnice (2) in veriga žage (1)

### OPOZORILO

#### Nevarnost poškodb!

Ko se dotikate verige žage (1), vedno nosite zaščitne rokavice. Nevarnost poškodb zaradi ostrih zobcev za žaganje!

Uporabljajte samo dovoljene kombinacije verige žage (1) in vodilne tirnice (2) (glejte poglavje »Dovoljene rezalne garniture«).

Montažo vedno izvajajte pri izklopljenem motorju.

#### Napetek

Nova veriga žage (1) se podaljšuje, zato jo je treba pogosteje napeti. Redno preverjajte napetost verige in jo ponastavite. Odvisno od obrabe, lahko vodilno tirnico (2) obrnete.

1. Verižno žago postavite na ravno, stabilno podlago.
2. Sprednjo zaščito rok (3) potisnite do omejevalnika nazaj, da sprostite zavoro verige. (Slika 2)
3. S ključem za vžigalne svečke (20) odstranite obe pritrilni matici (16).
4. Snemite pokrov verižnika (17).
5. Vijak za napenjanje žaginega traku (23) obrnite levo (v smeri proti urinemu kazalcu), toliko da bo napenjalni zatič verige (26) ob desnem omejlju (sl. 3). Za ta namen uporabite ploski izvijač (20).
6. Podolgovato luknjo vodilne tirnice (2) potisnite prek obeh izstopajočih pritrilnih sornikov (29).
7. Verigo žage (1) položite prek ozobljenja verižnika (27). Speljite verigo žage (1) natančno in v smeri, ki je označena na vodilni tirnici (2). V konici vodilne tirnice (2) se nahaja zobnik (30), v katerega ozobljenje morate vstaviti verigo žage (1). (Sl. 6 in 18)
8. Nekoliko povlecite za vodilno tirnico (2), da verigo žage (1) rahlo vnaprej napnete.
9. Ponovno namestite pokrov verižnika (17). Poskrbite, da je notranji zatič za napenjanje verige (26) v ustrezno odprtino vodilne tirnice (2). Po potrebi premaknite vijak za napenjanje verige (23) s ploskim izvijačem (20).
10. Z roko privijte obe pritrilni matici (16). Pazite, da ju še ne zategnete. Pritrilni matici (16) zategnite šele po napenjanju verige žage (1).

## 9.2 Napenjanje in preverjanje verige žage (1)

### OPOZORILO

Nadenite si zaščitne rokavice! Nevarnost poškodb zaradi ostrih zobcev za žaganje!

Pred vsakim zagonom redno preverjajte napetost verige.

Pred zagonom in ob ugasnjem motorju vedno opravite pregled.

1. Pred napenjanjem je treba pritrilno matico (16) s ključem za vžigalne svečke (20) nekoliko odviti.
2. Obrčajte vijak za napenjanje verige (23) s ploskim izvijačem (20) v smeri urnega kazalca, da povečate napetost.
3. S ključem za vžigalne svečke (20) trdno privijte obe pritrilni matici (16).
4. Verigo žage (1) je treba namestiti na spodnjo stran meča. Preverite, ali lahko verigo žage (1) (pri sproščeni zavori verige povlecite sprednjo zaščito rok (3) nazaj) ročno povlečete nad vodilno tirnico (2).

#### NAPOTEK

Nova veriga žage (1) se podaljšuje, zato jo je treba pogosteje napeti.

## 9.3 Mešanje goriva

Motor mora delovati z mešanico goriva iz bencina in motornega olja.

### OPOZORILO

Izogibajte se neposrednemu stiku z gorivom in vdihavanju hlapov goriva.

Uporabljajte samo mešanico neosvinčenega bencina (min. ROZ 95) in posebnega 2-taktnega motornega olja (JASO FD/ISO - L - EGD). Mešanico goriva zmešajte skladno s tabelo za mešanje goriva.

V priloženo mešalno posodo (22) vedno dodajte primerno količino bencina in 2-taktnega olja (glejte »Tabelo za mešanje goriva«). Nato mešalno posodo (22) dobro pretresite.

#### 9.3.1 Preglednica goriv

**Postopek mešanja: 40 delov bencina in 1 del olja**  
**Bencin ..... 2-taktno olje**  
**0,5 litra ..... 12,5 ml**

## 9.4 Nalivanje goriva (sl. 8)

### OPOZORILO

Gorivo dolivajte le, ko je motor izklopljen in ohlajen. Obstaja nevarnost požara!

1. Pred dolivanjem vedno očistite območje okoli pokrova rezervoarja za gorivo (13), da v rezervoar za gorivo ne pade umazanija. V ta namen uporabite suho krpo, ki ne pušča kosmov.
2. Napravo obrnite na stran, da pokrov rezervoarja za gorivo (13) gleda navzgor.
3. Pokrov rezervoarja za gorivo (13) obrnite proti smeri urnega kazalca in ga odprite. Pokrov rezervoarja za gorivo (13) je povezan z varovalom proti izgubljanju v rezervoarju za gorivo, da ne more pasti dol.
4. Mešanico goriva nalijte v rezervoar za gorivo. Pri dolivanju ne polivajte goriva in rezervoarja za gorivo ne napolnite do roba.
5. Polito gorivo takoj obrišite.
6. Pokrov rezervoarja za gorivo (13) obrnite v smeri urnega kazalca, da ga zaprete.

### NAPOTEK

Po vsakem polnjenju goriva preverite tudi olje za verigo.

## 9.5 Izpustite gorivo

**Rezervoar za gorivo praznite samo na prostem ali v dobro prezračeni prostorih. Pazite, da gorivo ne izteče v zemljo (varovanje okolja). Uporabite primerno podlago.**

1. Pod rezervoar za gorivo postavite lovilno posodo.
2. Odvijte zaporko rezervoarja za gorivo (13) na rezervoarju za gorivo in ga odstranite.
3. Izpustite celotno mešanico bencina/olja.
4. Zaporko rezervoarja za gorivo (13) zategnite nazaj z roko.

## 9.6 Nalivanje olja za verigo (sl. 8)

### OPOZORILO

Olje za verigo žage dolivajte le, ko je motor izklopljen in ohlajen. Obstaja nevarnost požara!

Nikoli ne izvajajte del brez mazanja verige! Če veriga žage (1) teče na suho, se rezalna garnitura v kratkem času nepopravljivo uniči.

Pred začetkom dela vedno preverite mazanje verige.

### NAPOTEK

Uporabljajte samo olje za verigo žage. Najbolj primerno je biološko razgradljivo. Ne uporabljajte starega olja, motornega olja itd.

Med delom preverite, ali mazanje verige deluje.

1. Pred dolivanjem vedno očistite območje okoli pokrova rezervoarja za olje za verigo (11), da v rezervoar za olje za verigo ne pade umazanija. V ta namen uporabite suho krpo, ki ne pušča kosmov.
2. Napravo obrnite na stran, da pokrov rezervoarja za olje za verigo (11) gleda navzgor.
3. Pokrov rezervoarja za olje za verigo (11) obrnite proti smeri urnega kazalca in ga odprite. Pokrov rezervoarja za olje za verigo (11) je povezan z varovalom proti izgubljanju v rezervoarju za olje za verigo, da ne more pasti dol.
4. Biološko olje za verigo nalijte v rezervoar za olje za verigo. Pri dolivanju ne polivajte olja za verigo in rezervoarja za olje za verigo ne napolnite do roba.
5. Polito olje za verigo takoj obrišite.
6. Pokrov rezervoarja za olje za verigo (11) obrnite v smeri urnega kazalca, da ga zaprete.

## 10. Zagon

### PREVIDNO

Upošteвайте zakonska določila o uredbi o protihrupni zaščiti.

Pred vsakim zagonom preverite napravo glede naslednjih točk:

- Tesnjenje sistema za gorivo
- Brezhibno stanje in celovitost zaščitnih naprav in rezalne priprave
- Dobra pritrditev vseh vijajčnih povezav
- Lahko premikanje vseh premičnih delov

### Delovna navodila

Pred uporabo se morate spoznati z ravnanjem z verižno žago.

## 10.1 Zagon motorja

### POZOR

Pred zagonom motorja se od mesta za dolivanje goriva odmaknite za najmanj 3 metre (sl. 9).

Zaganjalno vrstico (8) vedno povlecite naravnost ven. Ko se zaganjalna vrstica (8) znova uvleče, dobro držite ročaj zaganjalne vrvice (8). Ne dovolite, da bi zaganjalna vrstica (8) sunkovito skočila nazaj.

Takoj po zagonu motorja izpusite ročico za plin (5). Pred sprostitvijo zavore verige (sprednjo zaščito rok (3) povlecite nazaj) zagotovite, da se je število vrtljajev motorja zmanjšalo na število vrtljajev v prostem teku.

Zagonsko ročico za hladni zagon (dušilka) (14) izvlecite samo pri zagonu.

### 10.1.1 Zagon pri hladnem motorju

#### OPOZORILO

Pred vsakim zagonom vklopite zavoro verige (sprednjo zaščito rok (3) potisnite naprej).

#### POZOR

Zaganjalne vrvice (8) nikoli ne izpusite, da bi sunkovito skočila na svoje mesto. S tem lahko povzročite poškodbe.

1. Odstranite pokrov vodilne tirnice (21).
2. Verižno žago postavite na stabilno in ravno podlago. Veriga žage (1) se pri tem ne sme dotikati tal.
3. Sprednjo zaščito rok (3) potisnite naprej, da se zaskoči. Veriga žage (1) je blokirana z zavoro verige.
4. Sedemkrat pritisnite gumb za »Primer« (polnilnik) (4) črpalke za gorivo. (sl. 1)
5. Stikalo za vklop/izklop (15) preklopite v položaj »ON«. (sl. 1)
6. Izvlecite zagonsko ročico za hladni zagon (dušilka) (14). (sl. 10.2)
7. Verižno žago dobro primite za sprednji ročaj (12) in zaganjalno vrvico (8) počasi povlecite, dokler ne začutite prvega upora.
8. Nato zaganjalno vrvico (8) povlecite hitro, da se motor zažene. Če se motor ne zažene, postopek ponovite. Dokler je zagonska ročica za hladni zagon (dušilka) (14) izvlečena, se motor zažene samo kratek čas, nato pa se znova izklopi.
9. Takoj ko se motor izteče, pritisnite blokado ročice za plin (7) in ročico za plin (5) skupaj. Zagonska ročica za hladni zagon (dušilka) (14) se samodejno premakne v delovni položaj »topli zagon«. (sl. 10.1)
10. Nato zaganjalno vrvico (8) ponovno povlecite hitro, dokler se ne zažene motor.

Če se motor ne zažene tudi po več poskusih, glejte poglavje »Pomoč ob motnjah«.

### NAPOTEK

Pri višjih zunanjih temperaturah se lahko zgodi, da je treba motor včasih zagnati v hladnem stanju tudi brez ročice za hladni zagon (dušilka) (14)!

- Sprostite zavoro verige, tako da sprednjo zaščito rok (3) povlečete nazaj. (Slika 2)
- **PREVIDNO!** Zavora verige je zdaj sproščena. Če ročico za plin (5) pritisnete skupaj z blokado ročice za plin (7), se zažene veriga žage (1).

### 10.1.2 Zagon pri toplen motorju (Naprava je mirovala manj kot 15–20 minut.)

#### OPOZORILO

Pred vsakim zagonom vklopite zavoro verige (sprednjo zaščito rok (3) potisnite naprej).

1. Sprednjo zaščito rok (3) potisnite naprej, da se zaskoči. Veriga žage (1) je blokirana z zavoro verige.
2. Stikalo za vklop/izklop (15) preklopite v položaj »ON«.
3. Zagonske ročice za hladni zagon (dušilka) (14) za zagon toplega motorja ni treba povleči.
4. Verižno žago dobro primite za sprednji ročaj (12) in zaganjalno vrvico (8) počasi povlecite, dokler ne začutite prvega upora.
5. Nato zaganjalno vrvico (8) povlecite hitro. Naprava se mora zagnati v 1–2 potegih. Če se naprava po 6 potegih še vedno ne zažene, ponovite postopek, ki je opisan v poglavju »Zagon pri hladnem motorju«.

### 10.2 Zaustavitev motorja

#### 10.2.1 Zaporedje korakov pri izklopu v sili

Če je treba napravo takoj zaustaviti, za to nastavite stikalo za vklop/izklop (15) na »OFF«. (sl. 1)

#### 10.2.2 Običajno zaporedje korakov

1. Spustite ročico za plin (5). Motor preklopi v hitrost prostega teka.
2. Nato nastavite stikalo za vklop/izklop (15) v položaj »OFF«. (sl. 1)

### 10.3 Delovanje v prostem teku

#### POZOR

V prostem teku mora veriga žage (1) mirovati.

## NAPOTEK

Kadar se veriga žage (1) premika v prostem teku ali se motor pri odvzemu plina samodejno zaustavi, je treba nastaviti uplinjač (glejte poglavje »Vzdrževanje nastavitev na uplinjaču«).

1. Verižno žago dvignite.
2. Z levo roko dobro primite sprednji ročaj (12).
3. Z desno roko primite zadnji ročaj (6). Pri tem je kepa mišic palca na blokadi ročice za plin (7), s kazalcem pa upravljate ročico za plin (5).
4. Ko zagonsko ročico (5) pritisnete prvič, se motor zažene v prostem teku.
5. Motor pustite delovati kratek čas, da se segreje.

## 10.4 Preverjanje in nastavev mazanja verige

### ⚠ POZOR

- Nikoli ne izvajajte del brez mazanja verige! Če veriga žage (1) teče na suho, se rezalna garnitura v kratkem času nepopravljivo uniči.
- Pred začetkom dela vedno preverite mazanje verige.

### Napotek

Uporabljajte samo olje za verigo žage, najbolj primerno je biološko razgradljivo. Ne uporabljajte starega olja, motornega olja itd.

Držite verižno žago med delovanjem pri srednjem številu vrtljajev nad odžaganim štorom ali primerno podlago. Če je mazanje zadostno, se na štoru ali na podlagi nabere tanka oljna plast.

- Po potrebi lahko mazanje verige povečate ali zmanjšate z vijakom za reguliranje olja (32) (sl. 11).
- V pomoč naj vam priloženi ploski izvijač (20):
  - Najprej pritisnite in nato obrnite vijak reguliranja olja (32) v smeri urnega kazalca, da zmanjšate mazanje verige.
  - Najprej pritisnite in nato obrnite vijak za reguliranje olja (32) proti smeri urnega kazalca, da povečate mazanje verige.

## 10.5 Preverjanje zavore verige

### ⚠ OPOZORILO

Zavoro verige preverite pred vsakim zagonom.

Zavora verige ob povratnem udarcu takoj zavre verigo žage (1).

1. Pazite, da sprednja zaščita rok (3) ni umazana in se zlahka premika.
2. Zaženite verižno žago in pospešite verigo žage (1) do polne hitrosti (polni plin).

3. Ko se veriga žage (1) premika, uporabljajte sprednjo zaščito rok (3). Zavora žage mora verigo žage (1) pri največji hitrosti zaustaviti in jo blokirati.

### ⚠ OPOZORILO

Dlje časa povišano število vrtljajev pri blokirani zavori verige škodi motorju in pogonu verige.

Če se veriga žage (1) kljub temu vrtili, se obrnite na servisno službo.

## 11. Uporaba

### 11.1 Kleščenje vej

- Vedno upoštevajte možno nevarnost, da bi veje udarile nazaj.
- Pri kleščanju vej ne stojte na hlodu.
- Ne žagajte s konico tirnice. (sl. 7)
- Nikoli ne žagajte več vej hkrati.
- Verižno žago pri kleščanju vej po možnosti podprite s krempljastim naslonom (24).
- Upoštevajte, da na koncu reza lahko verižna žaga zaradi lastne teže zaniha navzdol. Če ni več podprta v rezu, jo ustrezno podprite.
- Za kleščanje vej se trdno, stabilno in varno postavite.

#### 11.1.1 Keščanje vej po delih

Skrajšajte dolge oz. debele veje preden opravite končni ločevalni rez. Sicer se veriga žage (1) zlahka zagozdi.

#### 11.1.2 Obdelava lesa, ki je pod napetostjo

Pri delu z lesom, ki je pod napetostjo obvezno upoštevajte pravo zaporedje. V nasprotnem primeru se veriga žage (1) lahko zagozdi ali pa pride do povratnega udarca.

Les pod napetostjo je treba najprej zarezati na strani pritiska. Šele nato lahko začnete z ločevalnim rezom na strani vleka. (sl. 24)

Tako preprečite, da bi se veriga žage (1) zataknila.

### ⚠ POZOR

#### Materialna škoda!

Ležeč les se na spodnji strani mesta reza ne sme dotikati tal, sicer se veriga žage (1) lahko poškoduje.

#### Povratni sunek

- Zagozdena veriga žage (1) na zgornjem robu vodilne tirnice (2) lahko verižno žago hitro in nenadzorovano vrže nazaj v smeri upravljavca.

## Vlečenje not

- Zagozdena veriga žage (1) na spodnjem robu vodilne tirnice (2) lahko verižno žago hitro in nekontrolirano povleče proč od upravljalčeve smeri.

## Varno delo

- Napravo ohranjajte v dobrem stanju, da preprečite poškodbe.
- Če vam naprava pade, jo preverite, ali je poškodovana ali okvarjena.
- Naprave ne uporabljajte, če stojite na lestvi ali na nezanesljivem mestu.
- Ne pustite se prepričati v nepremišljen rez. Tako bi lahko ogrozili sebe in druge.
- Redno menjajte svoj delovni položaj. Daljša uporaba naprave lahko povzroči motnje prekrvitve, pogojene z vibracijami. Čas uporabe lahko podaljšate z uporabo ustreznih rokavic ali z rednimi premori. Upoštevajte, da osebno nagnjenje k slabši prekrvitvi, nizke zunanje temperature ali velika moč prijema pri delu skrajšujejo čas uporabe.

### 11.2 Drevesno deblo je upognjeno navzdol

1. Najprej zarezite razbremenilni rez 1 (pribl. 1/3 premera debela) na strani pritiska.
2. Nato zarezite ločevalni rez 2 (pribl. 2/3 premera debela) na strani vleka.

### 11.3 Drevesno deblo je upognjeno navzgor

1. Najprej zarezite razbremenilni rez 1 (pribl. 1/3 premera debela) na strani pritiska.
2. Nato zarezite ločevalni rez 2 (pribl. 2/3 premera debela) na strani vleka.

### 11.4 Uporaba verižne žage za nego dreves v kombinaciji s tehnikami plezanja z vrvjo

V tem dodatku so predstavljeni ustrezni načini dela za zmanjšanje nevarnosti poškodb pri uporabi verižnih žag za nego dreves pri delih na višini z vrvjo in nosilnim pasom. Kljub temu, da je uporabno kot navodilo in učna lekcija, je ne smete nikoli zamenjati za formalno izobrazbo. V tem dodatku navedena vodila so namenjena samo kot primer za dober način dela.

V uporabi so lahko nacionalni ali drugi predpisi, ki so lahko strožji.

Uporabnik verižne žage za nego dreves, ki dela na višini z vrvjo in nosilnim pasom, ne sme nikoli delati sam. Prisoten mora biti delavec na tleh, ki je usposobljen za ustrezne ukrepe v sili in pomaga uporabniku.

Uporabnik mora biti na splošno izobražen v varnih plezalnih tehnikah in tehnikah zavzemanja delovnega položaja, poleg tega pa mora biti sposoben uporabljati nosilni pas, vrv, zanke, karabine in ostalo opremo za ohranjanje varnosti in pravnega delovnega položaja zase kot tudi za žago.

Nacionalne zakone in predpise je treba vedno strogo upoštevati.

Ta dodatek se ne ukvarja s tehnikami za nadzor vej in vejic, ki jih odrežete z verižno žago, in ne vsebuje že obdelane točke za varno uporabo.

#### 11.4.1 Splošne zahteve

Uporabnik verižne žage za nego dreves, ki dela na višini z vrvjo in nosilnim pasom, ne sme nikoli delati sam. Prisoten mora biti delavec na tleh, ki je usposobljen za ustrezne ukrepe v sili in pomaga uporabniku.

Uporabnik mora biti na splošno izobražen v varnih plezalnih tehnikah in tehnikah zavzemanja delovnega položaja, poleg tega pa mora biti sposoben uporabljati nosilni pas, vrv, zanke, karabine in ostalo opremo za ohranjanje varnosti in pravnega delovnega položaja zase kot tudi za žago.

#### 11.4.2 Priprave pred uporabo žage za nego dreves na drevesu

Verižno žago je treba pred deli na tleh preveriti, doliti gorivo, zagnati in pustiti delovati, da se ogreje, nato pa zaustaviti, preden jo dvignete na višino do uporabnika na drevesu.

Verižna žaga mora biti opremljena z ustrezno zanko, tako da se lahko namesti na nosilni pas uporabnika (sl. 13):

- Zanko je treba pritrčiti na opremo za obešanje (19) na zadnji strani žage (sl 12).
- Pripraviti morate ustrezne karabine, ki omogočajo posredno (tj. skozi zanko) in neposredno (tj. na opremo za obešanje (19) verižne žage) pritržitev žage na nosilni pas uporabnika.
- Za varno pritržitev verižne žage morate biti pozorni, ko jo dvigujete proti uporabniku (sl. 14).
- Preden verižno žago ločite od dvižne vrvi, morate zagotoviti, da je pritrjena na nosilni pas.

Z možnostjo, da se verižno žago pritrži naravnost na nosilni pas, se nevarnost, da se bo oprema poškodovala med premikanjem na drevesu. Verižna žaga mora biti vedno ugasnjena, kadar je pritrjena naravnost na nosilni pas.

Verižno žago se lahko namesti samo na priporočeno opremo za obešanje na nosilnem pasu. Ta je lahko na sredini (spredaj ali zadaj) ali na straneh. Kadar je mogoče, je treba verižno žago namestiti na centrirano sredinsko točko zadaj na nosilnem pasu, tako da ne bo v bližini plezalne vrvi, da se teža podpre na sredini hrbtenice uporabnika.

Če se verižno žago iz ene opreme za obešanje premakne na drugo, mora uporabnik zagotoviti, da je verižna žaga na novem položaju zavarovana, preden jo sprost iz predhodne opreme za obešanje.

### 11.5 Uporaba verižne žage na drevesu

Analiza nesreč s temi verižnimi žagami pri negovanju dreves kaže, da je glavni vzrok neprimerna enoročna uporaba verižne žage. Uporabniki se pri večini nesreč ne postavijo v zavarovan delovni položaj, ki jim omogoča, da verižno žago držijo za oba ročaja, kar poveča nevarnost za poškodbe zaradi naslednjega:

- Pomanjkanje trdnega oprijema v primeru povratnega udarca verižne žage.
- Pomanjkanje nadzora nad verižno žago, tako da se lahko lažje zgodi, da pride v stik s plezalnimi vrvmi in telesom uporabnika (še posebej levo zgornjo okončino in roko).
- Izguba nadzora zaradi nezavarovanega delovnega položaja in s tem stik z verižno žago (nepričakovani premiki med delom z verižno žago).

### 11.6 Zavarovan delovni položaj pri dvoročni uporabi

Da bi lahko verižno žago držali z obema rokama, mora uporabnik v osnovi poskusiti zavzeti zavarovani delovni položaj, pri katerem se žago vodi, kot je navedeno v nadaljevanju:

- V višini pasu pri žaganju vodoravnih kosov.
- V višini trebuha pri žaganju navpičnih kosov.

Če uporabnik dela na skoraj navpičnem deblu z majhno stransko silo na delovni položaj, lahko najde varno oporo za varen delovni položaj. Če se uporabnik vendarle odmakne od debla, je treba uporabiti dodatne ukrepe, da se sprost povečane stranske sile ali deluje proti njim, npr. s preusmeritvijo glave vrvi prek dodatne opreme za obešanje ali z uporabi premične zanke, ki vodi od jermena do dodatne opreme za obešanje (sl. 15 in 16).

#### 11.6.1 Zagon žage za nego dreves na drevesu

Pri zagonu verižne žage v drevesi mora uporabnik:

- Pred zagonom sprožite zavoro verige (sprednjo zaščitno rok (3) potisnite naprej).

- Verižno žago mejo z obema rokama levo ali desno od telesa:

- Verižno žago na levi strani držite z levo roko za sprednji ročaj, in jo potiskajte od telesa, medtem ko zagonsko vrvico držite v desni roki.
- Verižno žago na desni strani držite z desno roko za enega od obeh ročajev, in jo potiskajte od telesa, medtem ko zagonsko vrvico držite v levi roki.

Zavora verige mora biti vedno sprožena, preden delujočo verižno žago spustite na njeni nosilni vrvi.

Pred težkimi deli žaganja mora uporabnik vedno paziti, da bo imela verižna žaga dovolj goriva.

#### 11.6.2 Enoročna uporaba verižne žage

Uporabniki ne smejo verižne žage za nego dreves uporabljati enoročno v nestabilnih delovnih položajih ali namesto ročne žage za žaganje konic vej z majhnim premerom.

Verižne žage za nego dreves lahko uporabljate enoročno samo, kadar

- a. uporabnik se ne more postaviti v delovni položaj, ki omogoča dvoročno uporabo.
- b. je potrebno delovni položaj zavarovati z eno roko.
- c. se verižno žago uporablja v popolnoma iztegnjeni drži, v pravem kotu in izven črte s telesom uporabnika.

Uporabniki ne smejo nikoli:

- Žagati z delom, kjer pride do povratnega udarca, na koncu vodilne tirnice (2) vodilne tirnice.
- Držati za vejo, na kateri žagate.
- Poskušati ujeti padajoče dele.

#### 11.6.3 Sproščanje zagazdene verižne žage

Če se verižna žaga med žaganjem zagozdi, mora uporabnik:

1. Izklopite verižno žago in jo varno pritrditi na notranjost drevesa (tj. na deblo drevesa) ali na ločeno vrv za orodje.
2. Izvleči žago iz zareze, pri tem pa vejo pogniti, kolikor je potrebno,
3. Če je potrebno, uporabiti ročno žago ali drugo verižno žago, da se sprost zagazdeno verižno žago, tako da zarežete vsaj 30 cm proč od zagazdene verižne žage.

Ne glede na to, ali se za sprostitev zagazdene verižne žage uporablja ročno ali verižno žago, morajo poteka rezi za sprostitev verižne žage vedno navzven (proti konici veje), tako se verižne žage ne zajame z odžaganimi deli in se tako še nadalje zaplete položaj.

## 12. Prevoz

- Pri prevažanju vedno uporabljajte pokrov vodilne tirnice (21).
- Pred vsakim prevažanjem izklopite verižno žago, tudi pri krajših razdaljah. Stroj med prevažanjem zavarujte (tudi v vozilih), da preprečite prevračanje, izgubo goriva, materialne škodo ali osebne poškodbe.
- Aktivirajte zavoro verige (sprednjo zaščito rok (3) potisnite naprej).
- Napravo nosite le za sprednji ročaj (12). Vodilna tirnica (2) je pri tem obrnjena nazaj, proč od vašega telesa.
- Vročo zvočno izolacijo (18) držite proč od telesa. Obstaja nevarnost opeklin! (sl. 23)

## 13. Čiščenje in vzdrževanje

### ⚠ OPOZORILO

#### Nevarnost poškodb!

Pred čiščenjem vedno izklopite napravo in izvlecite vtič vžigalne svečke (35).

(Glejte poglavje 13.4, »Vzdrževanje vžigalne svečke (34)«).

#### Napotek

Po vsaki uporabi temeljito očistite napravo.

Čistilna in vzdrževalna dela izvajajte samo v tistem obsegu, kot je opisano v teh navodilih za uporabo. Ostala dela mora izvesti strokovno osebje.

Vzdrževalna dela je treba izvajati redno (glejte poglavje »Vzdrževalni intervali«).

### 13.1 Čiščenje motorne enote

### ⚠ OPOZORILO

#### Nevarnost opeklin!

Ne dotikajte se vroče zvočne izolacije, cilindrov ali hladilnih reber.

- Na zaščitnih pripravah, prezračevalnih režah in ohišju motorja mora biti čim manj prahu in umazanije. Izpihajte jih s stisnjenim zrakom z nizkim tlakom.
- Napravo redno čistite z vlažno krpo in malo čistila. Pazite, da v notranjost naprave ne vdre voda.

### 13.2 Čiščenje zračnega filtra (33) (sl. 17)

Umazani zračni filtri zmanjšajo motorno moč zaradi manjšega dovajanja zraka v uplinjač.

Zaradi tega je potrebno redno pregledovanje. Zračni filter (33) redno preverjajte in ga po potrebi očistite.

Če je zrak zelo prašen, zračni filter (33) preverjajte pogosteje.

1. Zapiralo za pokrov zračnega filtra (10) odvijte v smeri proti urnemu kazalcu.
2. Odstranite pokrov zračnega filtra (9).
3. Odstranite zračni filter (33).
4. Očistite zračni filter (33), tako da z njim potrkavate ali ga izpihate (s stisnjenim zrakom).

Filter sestavite v obratnem vrstnem redu.

### ⚠ POZOR

Zračnega filtra (33) nikoli ne čistite z bencinom ali vnetljivimi topili.

## 13.3 Čiščenje pogona verige

### ⚠ OPOZORILO

#### Nevarnost poškodb!

Ko se dotikate verige žage (1), vedno nosite zaščitne rokavice. Nevarnost poškodbe zaradi ostrih zobcev za žaganje!

#### Napotek

Pogon verige očistite po vsaki uporabi.

1. Verižno žago postavite na ravno, stabilno podlago.
2. Sprednjo zaščito rok (3) potisnite do omejevalnika nazaj, da sprostite zavoro verige. (Slika 2)
3. Obračajte vijak za napenjanje verige (23) s ploskim izvijačem (20) v smeri proti urnim kazalcem, da zmanjšate napetost.
4. S ključem za vžigalne svečke (20) odstranite obe pritrilni matici (16).
5. Snemite pokrov verižnika (17).
6. Verigo žage (1) previdno snemite z vodilne tirnice (2) in verižnika (27).
7. Odstranite vodilno tirnico (2). Le-to očistite s čopičem.
8. Sedaj temeljito očistite celotno območje pogona verige in pokrov verižnika (17) očistite s čopičem ali izpihajte (s stisnjenim zrakom).

Filter sestavite v obratnem vrstnem redu.

## 13.4 Vzdrževanje vžigalne svečke (34) (sl. 19/20)

1. Demontirajte zračni filter (33), kot je opisano v poglavju 13.2 »Čiščenje zračnega filtra (33)«.
2. Izvlecite vtič vžigalne svečke (35) tako, da ga zasukate v levo in desno ter kratki povlecete. Pridržite vtič vžigalne svečke (35) in ga povlecite samo za vtič. Nikoli ne povlecite za kabl!



3. Vžigalno svečko (34) odvijte s priloženim ključem za vžigalno svečko (20).
4. Filter sestavite v obratnem vrstnem redu.

Razmik med elektrodami = 0,6–0,7 mm (razmik med elektrodama, med katerima se ustvari vžigalna iskra). Vžigalno svečko (34) po 10 obratovalnih urah prvič preverite glede umažanosti in jo po potrebi očistite s krtačo z bakrenimi žicami.

Nato vžigalno svečko (34) vzdržujte vsakih 50 obratovalnih ur.

### 13.5 Vzdrževanje mazanja verige

- Glejte poglavje »Preverjanje in nastavitve mazanja verige«.

### 13.6 Vzdrževanje nastavitve uplinjača

- Kadar se veriga žage (1) premika v prostem teku ali se motor pri odvzemu plina samodejno zaustavi, je treba nastaviti uplinjač.

### Napotek

Nastavitve na uplinjaču (npr. število vrtljajev v prostem teku) dajte nastavljati samo strokovnjakom, da preprečite poškodbe motorja.

### 13.7 Vzdrževanje vodilne tirnice (2)

- Morebitne robove, ki so nastali na robu tirnice odstranite s pomočjo kovinske pile.
- Očistite utor vodilne tirnice (2), s pomočjo čopiča ali s stisnjenim zrakom (sl. 21). Zamenjajte vodilno tirnico (2), takoj ko je vodilni utor (28) obrabljen.
- Vodilno tirnico (2) obračajte po vsaki uporabi, da omogočite enakomerno obrabo.
- Preverite, ali se zobnik (30) na konici vodilne tirnice (2) zlahka premika. Po potrebi ga namažite z oljem za ležaje. Pustite, da v odprtino za mazanje (31) steče nekaj olja za tečaje. (sl. 21)

### 13.8 Preverjanje zavore verige

Glejte poglavje 10.5 »Preverjanje zavore verige«

## OPOZORILO

### NEVARNOST POVRATNEGA UDARCA!

Nedelujoča zavora verige poveča tveganje za povratni udarec.

Zavoro verige preverjajte redno.

Delujoča zavora verige je nujna za vašo varnost.

### 13.9 Napenjanje in preverjanje verige žage (1)

Glejte poglavje 9.2, »Napenjanje in preverjanje verige žage (1)«

### 13.10 Brušenje in nega verige žage (1)

## OPOZORILO

### Nevarnost poškodb!

Ko se dotikate verige žage (1), vedno nosite zaščitne rokavice. Nevarnost poškodbe zaradi ostrih zobcev za žaganje!

### Napotek

Optimalno negovana in nabrušena veriga žage (1) zmanjša telesno obremenitev, obrabo in privede do dobrega rezultata rezanja.

Redno čistite, negujte in brusite verigo žage (1).

Redno preverjajte, ali ima veriga žage (1) razpoke in poškodovane kovice.

Stojalo za brušenje lahko med brušenjem pritrdite na pripomoček za stojalo za brušenje, da varno stoj.

Uporabljajte le posebne okrogle pile za verigo žage s  $\varnothing 4,8$  mm (3/16") za priloženo verigo žage (1).

V kompletu za brušenje najdete podrobne informacije o postopku brušenja.

Alternativno lahko uporabite električno napravo za brušenje verige in pri tem upoštevate navodila proizvajalca.

Če ste glede izvedbe dela v dvomih, je treba verigo žage (1) zamenjati.

Verigo žage (1) naj vam po potrebi nabrusijo v specializirani delavnici.

- Potreben pribor (ni v obsegu dostave):
  - Okrogla pila za verigo žage  $\varnothing 4,8$  mm (3/16")
  - Ploska pila
  - Šablona za omejitev globine
- Pilo vlecite samo naprej, da posnamete material.
- Piliate s kotom ostrenja pribl. 25° pri naklonu 10° na vodilno tirnico (2).
- Preverite odmik omejevalnika globine s šablono za omejitev globine.
- Pravilni odmik omejevalnika globine naj znaša 0,6 mm (0,024").

### 13.11 Intervali vzdrževanja

Za daljšo življenjsko dobo in preprečevanje škode ter zagotovitev popolne funkcionalnosti varnostnih naprav morate redno izvajati vzdrževalna dela, ki so opisana v nadaljevanju. Garancijske zahtevke bomo priznali samo, če se ta dela izvajajo redno in pravilno. Če teh napotkov ne boste upoštevali, obstaja nevarnost nesrečel!

Uporabniki verižnih žag lahko izvajajo samo vzdrževalna in negovalna dela, ki so navedena v teh navodilih za uporabo. Druga dela, ki niso v tem sklopu, lahko izvajajo samo električarji.

Splošni podatki	Celotna žaga za nego dreves	Očistite zunanost in preverite, ali so prisotne poškodbe. V primeru poškodb dajte žago takoj strokovno popraviti.
	Veriga žage	Žago redno brusite in pravočasno zamenjajte.
	Zavora verige	Žago dajte redno pregledati v specializirani delavnici.
	Vodilna tirnica	Z obračanjem poskrbite za enakomerno obrabo obremenjenih tekalnih površin. Pravočasno jo zamenjajte.
Pred vsakim zagonom	Veriga žage	Preverite jo glede poškodb in ostrine. Preverite napetost verige.
	Vodilna tirnica	Preverite, ali so prisotne morebitne poškodbe.
	Mazanje verige	Preverjanje delovanja
	Zavora verige	Preverjanje delovanja
	Stikalo za vklop/izklop, blokada ročice za plin, ročica za plin	Preverjanje delovanja
	Gorivo in pokrovček rezervoarja za olje za verigo	Preverite tesnjenje.
Vsakodnevno	zračni filter	Čiščenje
	Vodilna tirnica	Preverite, ali so prisotne poškodbe, očistite odprtine za dovod olja
	Mesto za namestitev tirnice	Očistite jo, še posebej utor za vodenje olja
	Število vrtljajev v prostem teku	Preverite (veriga se ne sme premikati skupaj)
Tedensko	Ohišje ventilatorja	Očistite ga, da zagotovite brezhibno vodenje hladnega zraka
	Vžigalna svečka	Preverite ga in po potrebi zamenjajte
	Dušilnik zvoka	Preverite zamaščenost
	Lovilnik verige	Preverite glede poškodb in po potrebi zamenjajte
	Vijaki in matice	Preverite stanje in dobro nameščenost
Četrletno	Sesalna glava Rezervoar za gorivo in za olje za verigo	Zamenjava Čiščenje

Skladiščenje	celotna žaga za nego dreves	Očistite zunanost in preverite, ali so prisotne poškodbe V primeru poškodb dajte žago takoj strokovno popraviti
	Veriga žage in tirnica žage	Demontirajte jo, očistite in rahlo naoljite Očistite vodilni utor vodilne tirnice
	Rezervoar za gorivo in za olje za verigo	Izpraznite in očistite
	Uplinjač	Žago pustite delovati, dokler se ne izprazni

### 13.12 Pomemben napotek v primeru popravila

Ko pripravljate napravo za popravilo, pazite, da jo iz varnostnih razlogov na servis pošljete brez olja in bencina.

### 13.13 Informacije o servisu

Upoštevajte, da so pri tem izdelku sledeči deli podvrženi obrabi, ki izhaja iz uporabe, ali naravni obrabi oz. so sledeči deli potrebni kot potrošni material.

Obrabni deli\*: Veriga žage, vodilna tirnica, olje za verigo, motorno olje, krempljasti naslon, lovilec verige, vžigalna svečka, zračni filter, filter za gorivo, filter za olje za verigo

\* Ni nujno v obsegu dostave!

### Dovoljena garnitura za rezanje

Veriga žage

Kangxin 3/8LP-40.....7910100739

Oregon 91PO40X.....3910102032

Vodilna tirnica

Kangxin AP10-40-509P.....7910100740

Oregon 100SDEA041.....7910100744

## 14. Skladiščenje

Gljuč za vžigalne svečke/izvijač (20) lahko za shranjevanje pritrpite na stransko stran pokrova vodilne tirnice (21).

Pri skladiščenju vedno uporabljajte pokrov vodilne tirnice (21).

Pred skladiščenjem napravo očistite in opravite vzdrževanje, glejte poglavje »Čiščenje in vzdrževanje«.

Do konca izpraznite rezervoar za olje oz. gorivo.

### OPOZORILO

Bencina ne črpajte v zaprtih prostorih, v bližini ognja ali medtem ko kadite. Plinski hlapi lahko povzročijo eksplozije ali požar.

- Zaženite motor in pustite, da deluje tako dolgo, dokler ne porabi preostalega bencina.

Napravo in njen pribor hranite na temnem, suhem, otrokom nedostopnem mestu, kjer ni nevarnosti zmrzovanja. Idealna temperatura skladiščenja je med 5 in 30 °C.

Verižne žage ne skladiščite in uporabljajte pri temperaturah pod 0 °C.

Verižne žage nikoli ne spravite za več kot 30 dni, ne da bi izvedli naslednje korake:

Pred uskladiščenjem naprave upoštevajte napotke za čiščenje in vzdrževanje.

### 14.1 Skladiščenje verižne žage

Če verižno žago skladiščite več kot 30 dni, jo je treba za to pripraviti. Drugače preostalo gorivo v uplinjaču izhlapi in pušči gumi podobno usedlino. To lahko oteži zagon in ima za posledico draga popravila.

1. Pokrovček rezervoarja goriva (13) počasi snemite, da sprostite morebiten tlak v rezervoarju. Rezervoar previdno izpraznite.
2. Zaženite motor in ga pustite delovati, dokler se verižna žaga zaustavi, da tako odstranite gorivo iz uplinjača.
3. Počakajte, da se motor ohladi (pribl. 5 minut).
4. Odstranite vžigalno svečko (34).
5. V izgorevalno komoro dolijte 1 čajno žličko čistega 2-taktnega olja. Večkrat počasi povlecite za zagonsko vrstico (8), da tako prevlečete notranje komponente. Vžigalno svečko (34) namestite nazaj.

Verižno žago spravite na suhem mestu, daleč proč od morebitnih virov vžiga, npr. peči, plinskih grelnikov za vodo, plinskih sušilnikov, itd. izven dosega otrok.

Če verige žage (1) in vodilne tirnice (2) ne boste demontirali, vedno namestite pokrov vodilne tirnice (21).

## 14.2 Ponoven zagon verižne žage

1. Odstranite vžigalno svečko (34).
2. Povlecite za zaganjalno vrstico (8), da iz izgorevalne komore odstranite čezmerno olje.
3. Očistite vžigalno svečko (34) in pazite na primeren razmik med elektrodami na vžigalni svečki (34); namesto tega lahko namestite novo vžigalno svečko (34) s primernim razmikom med elektrodami.
4. Verižno žago pripravite za uporabo.
5. Rezervoar napolnite z ustrezno mešanico olja in goriva (1 : 40).

## 14.3 Skladiščenje goriva

Goriva se lahko skladišči samo omejen čas. Gorivo in mešanice goriva se starajo zaradi hlapenja, še posebej pod vplivom višjih temperatur. Predolgo stoječa goriva in mešanice goriv lahko povzročijo težave pri zagonu in do poškodb motorja. Kupite samo toliko goriva, kolikor ga lahko porabite v nekaj mesecih. Gorivo, ki ga zmešate pri višjih temperaturah, porabite v 6–8 mesecih.

**Gorivo natočite samo v dovoljene vsebnike in ga shranite na hladnem in varnem mestu!**

### OPOZORILO

#### Izogibajte se stiku s kožo in očmi!

Izdelke z mineralnim oljem, tudi olja, razmastijo kožo. Pri večkratnem in daljšem stiku se koža izsuši. Zaradi tega lahko pride do različnih bolezni kože. Poleg tega so znane alergijske reakcije.

Stik olja z očmi povzroči draženje. V primeru stika z očmi morate prizadeti očesi sprati s čisto vodo. V primeru draženja takoj poiščite zdravniško pomoč!

## 15. Odlaganje med odpadke in reciklaža

### Napotki za embalažo



Embalažne materiale je mogoče reciklirati. Embalažo zavržite okolju prijazno.

**Več informacij o odlaganju iztrošene naprave med odpadke izveste pri lokalni skupnosti ali občinski upravi.**

## Goriva in olja

- Pred odstranjevanjem naprave med odpadke je treba rezervoar za gorivo in rezervoar za motorno olje izprazniti!
- Gorivo in motorno olje ne sodita med gospodinjske, pač pa ju morate zavreči oz. oddati na zbirno mesto ločeno!
- Prazne posode za olje in gorivo je treba zavreči okolju prijazno.

## 16. Pomoč pri motnjah

Motnja	Mogoč vzrok	Ukrep
Motor se ne zažene, ali pa se zažene vendar noče delovati.	Nepravilen postopek zagona.	Upoštevajte navodila v teh navodilih.
	Napačno nastavljena mešanica za uplinjač.	Pustite, da uplinjač nastavi pooblaščen oddelek storitev za stranke.
	Zarjavela vžigalna svečka.	Očistite/nastavite ali zamenjajte vžigalno svečko.
	Zamašen filter za gorivo.	Zamenjajte filter za gorivo.
Motor se zažene, vendar ne razvije polne moči.	Umazan zračni filter	Odstranite filter, ga očistite in namestite nazaj.
	Napačno nastavljena mešanica za uplinjač.	Pustite, da uplinjač nastavi pooblaščen oddelek storitev za stranke.
Motor pokašljuje	Napačno nastavljena mešanica za uplinjač.	Pustite, da uplinjač nastavi pooblaščen oddelek storitev za stranke.
Pri obremenitvi ni nobene moči	Napačno nastavljena vžigalna svečka.	Očistite/nastavite ali zamenjajte vžigalno svečko.
Motor teče skokovito	Napačno nastavljena mešanica za uplinjač.	Pustite, da uplinjač nastavi pooblaščen oddelek storitev za stranke.
Čezmerna količina dima.	Napačna mešanica goriva.	Uporabite ustrezno mešanico goriva (razmerje 1 : 40).
Pri obremenitvi ni nobene moči	Veriga je otopela ali ohlapna	Verigo nabrusite ali namestite novo verigo. Verigo napnite.
Motor zastaja	Rezervoar za bencin je prazen ali pa je filter za gorivo napačno nameščen v rezervoarju	Napolnite rezervoar za bencin. Rezervoar za bencin napolnite do konca ali pa filter za gorivo namestite drugače.
	Nezadostno mazanje verige (meč in veriga se segrevata)	Rezervoar za olje za verigo je prazen
	Prehod za olje je zamašen	Očistite odprtino za olje v meču. Očistite žleb meča.

## 17. Garancijski list

### **Proizvajalec:**

Scheppach GmbH  
Günzburger Straße 69  
DE-89335 Ichenhausen

### **Pooblaščenih serviser (SI):**

Sbay d.o.o.  
Veliko Mlačevo 59b  
SI - 1290 Grosuplje

### **Telefonska št. servisa (SI):**

00800 4003 4003  
(0,00 €/Min.)

### **E-poštni naslov (SI):**

service.SI@scheppach.com

Garancijski list

1. S tem garancijskim listom Scheppach GmbH jamčimo, da bo izdelek v garancijskem roku ob normalni in pravilni uporabi brezhibno deloval in se zavezujemo, da bomo ob izpolnjenih spodaj navedenih pogojih odpravili morebitne pomanjkljivosti in okvare zaradi napak v materialu ali izdelavi oziroma po svoji presoji izdelek zamenjali ali vrnilli kupnino.
2. Garancija je veljavna na ozemlju Republike Slovenije.
3. Garancijski rok za proizvod je 3 od datuma izročitve blaga. Datum izročitve blaga je razviden iz računa.
4. Kupec je dolžan okvaro javiti pooblaščenemu servisu oziroma se informirati o nadaljnjih postopkih na zgoraj navedeni telefonski številki. Svetujemo vam, da pred tem natančno preberete navodila o sestavi in uporabi izdelka.
5. Kupec je dolžan pooblaščenemu servisu predložiti garancijski list in račun, kot potrdilo in dokazilo o nakupu ter dnevu izročitve blaga.
6. V primeru, da proizvod popravlja nepooblaščen servis ali oseba, kupec ne more uveljavljati zahtevkov iz te garancije.
7. Vzroki za okvaro oziroma nedelovanje izdelka morajo biti lastnosti stvari same in ne vzroki, ki so zunaj proizvajalčeve oziroma prodajalčeve sfere. Kupec ne more uveljavljati zahtevkov iz te garancije, če se ni držal priloženih navodil za sestavo in uporabo izdelka ali če je izdelek kakorkoli spremenjen ali nepravilno vzdrževan.
8. Jamčimo servis in rezervne dele še 3 leta po preteku garancijskega roka.
9. Obrabni deli oz. potrošni material so izvzeti iz garancije.
10. Vsi potrebni podatki za uveljavljanje garancije se nahajajo na dveh ločenih dokumentih (garancijski list, račun).
11. Ta garancija proizvajalca ne izključuje pravic potrošnika, ki izhajajo iz odgovornosti prodajalca za napake na blagu.

Prodajalec:

Lidl Slovenija d.o.o. k.d., Pod lipami 1, SI-1218 Komenda



S spletne strani [www.lidl-service.com](http://www.lidl-service.com) si lahko prenesete ostale priročnike, videoposnetke o izdelkih in namestitveno programsko opremo.

S kodo QR neposredno odprete Lidlovo storitveno spletno stran ([www.lidl-service.com](http://www.lidl-service.com)), kjer lahko z vnosom številke izdelka (IAN) 403506\_2204 odprete ustrezna navodila za uporabo.



---

1.	Objašnjenje simbola na uređaju.....	295
2.	Napomena za korisnika.....	296
3.	Uvod .....	297
4.	Opis uređaja .....	297
5.	Opseg isporuke.....	297
6.	Namjenska uporaba.....	298
7.	Sigurnosne napomene.....	298
8.	Tehnički podatci .....	303
9.	Prije stavljanja u pogon .....	303
10.	Stavljanje u pogon .....	305
11.	Primjena .....	307
12.	Transport.....	310
13.	Čišćenje i održavanje .....	310
14.	Skladištenje.....	313
15.	Zbrinjavanje i recikliranje .....	314
16.	Otklanjanje neispravnosti .....	314
17.	Jamstveni certifikat.....	315
18.	Povećani crtež.....	398
19.	Izjava o sukladnosti .....	400



## 1. Objašnjenje simbola na uređaju

	Pročitajte s razumijevanjem upozoravajuće obavijesti i pridržavajte ih se.		Prije uporabe uređaja pročitajte cijeli priručnik za uporabu.
	Upozorenje! Opasnost od povratnog udarca (kickback). Zaštitite se od povratnog udarca lančane pile i izbjegavajte kontakt s vrhom vodilice.		Ne rabite uređaj po kiši ili u vlažnim uvjetima.
	Nosite zaštitne naočale. Nosite štitnik sluha.		Nosite zaštitnu kacigu.
	Tijekom uporabe uređaja uvijek nosite zaštitne rukavice i rukavice za zaštitu od vibracija.		Tijekom uporabe uređaja uvijek nosite protuklizne zaštitne cipele sa zaštitom od rezanja.
	Važno je nositi zaštitnu odjeću za stopala, šake i podlaktice.		Lančanom pilom uvijek rukujte objema rukama. Lančanom pilom ne rukujte jednom rukom.
	Pozor! Uporaba lančane pile u kombinaciji s tehnikom penjanja s pomoću užeta. Prije početka rada upoznajte se sa svim napomenama za rad!		Zabranjena je otvorena vatra u radnom području!
	Otvor za ulijevanje motornog goriva. Smjesa ulja i motornog goriva 1:40		Smjer vrtnje
	Zatvarač spremnika za ulje za lance		Namještanje kočnice lanca: Bijela strelica: kočnica lanca nije aktivna Crna strelica: kočnica lanca je aktivna
	Poluga za hladno pokretanje (prigušnica)		Otpuštanje kočnice lanca
	Aktivacija kočnice lanca		Smjer ugradnje lanca pile
	Namještanje podmazivanja lanca		Zajamčena razina zvučne snage uređaja.

	<p>Pozor! Vrući dijelovi.</p>	 <p>push primer 6 times</p>	<p>Pritisnite pumpu za gorivo 6x (pokretač).</p>
<p><b>OPASNOST</b></p>	<p>Signalna riječ za označavanje neposredno predstojeće opasne situacije koja će, ako se ne izbjegne, uzrokovati smrt ili teške ozljede.</p>		
<p><b>UPOZORENJE</b></p>	<p>Signalna riječ za označavanje potencijalno opasne situacije koja bi, ako se ne izbjegne, mogla uzrokovati smrt ili teške ozljede.</p>		
<p><b>OPREZ</b></p>	<p>Signalna riječ za označavanje potencijalno opasne situacije koja bi, ako se ne izbjegne, mogla uzrokovati neznatne ili srednje teške ozljede.</p>		
<p><b>NAPOMENA</b></p>	<p>Signalna riječ za označavanje potencijalno opasne situacije koja bi, ako se ne izbjegne, mogla uzrokovati materijalne štete na proizvodu ili vlasništvu/imovini.</p>		

## 2. Napomena za korisnika

### UPOZORENJE:

**Prije prvog stavljanja u pogon temeljito pročitajte ovaj priručnik za uporabu uređaja i obvezno se pridržavajte sigurnosnih propisa! Pilom za orezivanje drveća smiju upravljati samo "rukovatelji pilom s dodatnom izobrazbom za radove u podiznim košarama ili na ljestvama s košarom odn. za tehniku penjanja s pomoću užeta"!**

**Priručnik za uporabu pažljivo čuvajte!**

### Napomena:

**Vodite računa o tome da neki nacionalni propisi mogu ograničavati uporabu stroja.**



Ova je pila za orezivanje drveća predviđena posebno za održavanje i orezivanje drveća. Svi radovi s pilom za orezivanje drveća predviđeni su posebno za održavanje i orezivanje drveća. Sve radove s ovom pilom za orezivanje drveća smiju obavljati samo školovani rukovatelji pilom za orezivanje drveća!

### 3. Uvod

#### PROIZVOĐAČ:

**Scheppach GmbH**

Günzburger Straße 69

D-89335 Ichenhausen

#### CIJENJENI KUPČE,

Želimo vam mnogo zadovoljstva i uspjeha pri radu s novim uređajem.

#### NAPOMENA:

Prema važećem njemačkom Zakonu o odgovornosti za proizvode, proizvođač ovog uređaja ne odgovara za štete koje nastanu na ovom uređaju ili koje ovaj uređaj uzrokuje u slučaju:

- nestručnim rukovanjem
- nepridržavanja priručnika za uporabu,
- popravcima koje obave neovlašteni stručnjaci
- montažom i zamjenom neoriginalnih rezervnih dijelova
- nenamjenskom uporabom.

#### Vodite računa o sljedećem:

Prije montaže i stavljanja u pogon pročitajte cjelokupan tekst priručnika za uporabu.

ovaj priručnik za uporabu pomoći će vam da upoznate uređaj i upotrebljavate ga na propisan način.

Priručnik za uporabu sadržava važne napomene za siguran, ispravan i učinkovit rad s uređajem te za izbjegavanje opasnosti, smanjivanje troškova popravka i prekida rada te povećavanje pouzdanosti i vijeka trajanja uređaja.

Osim sigurnosnih propisa iz ovog priručnika za uporabu svakako se pridržavajte i nacionalnih propisa koji se odnose na rad ovog uređaja.

Čuvajte priručnik za uporabu u blizini uređaja, zaštićenog od prljavštine i vlage u plastičnoj vrećici. Prije početka rada od svi rukovatelji moraju pročitati i pozorno se pridržavati ovog priručnika.

Na uređaju smiju raditi samo osobe koje su podučene u uporabi uređaja i upućene u opasnosti koje su povezane s njegovom uporabom. Strojem smiju rukovati samo osobe odgovarajuće minimalne dobi.

Osim sigurnosnih napomena sadržanih u ovom priručniku za uporabu i posebnih nacionalnih propisa valja se pridržavati i općeprihvaćenih tehničkih pravila za rad konstrukcijski identičnih naprava.

Ne preuzimamo odgovornost za nezgode ili štete koje nastanu zbog nepridržavanja ovog priručnika i sigurnosnih napomena.

### 4. Opis uređaja

1. Lanac pile
2. Vodilica
3. Prednji štitnik za ruke
4. Pumpa za gorivo "pokretač"
5. Poluga gasa
6. Stražnja ručka
7. Blokada poluge gasa
8. Uže pokretača
9. Pokrov filtra zraka
10. Zatvarač za poklopac filtra za zrak
11. Zatvarač spremnika ulja za lance
12. Prednja ručka
13. Zatvarač spremnika goriva
14. Poluga za hladno pokretanje (prigušnica)
15. Sklopka za uključivanje/isključivanje
16. Pritezne matice
17. Pokrov lančanika
18. Prigušivač zvuka
19. Ovjjesna naprava
20. Ključ za svjećice / plosnati odvijač
21. Pokrov vodilice
22. Spremnik za miješanje
23. Vijak za zatezanje lanca
24. Nazubljeni graničnik
25. Hvatač lanca
26. Stezni zatik lanca
27. Lančanik
28. Utor za vođenje
29. Pričvrtni svornjak
30. Zupčanik
31. Otvor za podmazivanje
32. Vijak za regulaciju ulja
33. filter zraka
34. svjećica
35. Utikač svjećice
36. Usisna glava

### 5. Opseg isporuke

- Pila za orezivanje drveća
- Lanac pile
- Vodilica
- Pokrov vodilice
- Ključ za svjećice / plosnati odvijač
- Spremnik za miješanje

## 6. Namjenska uporaba

Ovaj je uređaj posebno lagana, praktična pila za orezivanje drveća s ručkom na gornjoj strani. Pila za orezivanje drveća dizajnirana je posebno za orezivanje i održavanje drveća. Stoga ovim pilama za orezivanje drveća smiju upravljati samo "rukovatelji pilom s dodatnom izobrazbom za radove u podiznim košarama ili na ljestvama s košarom odn. za tehniku penjanja s pomoću užeta".

Za povremenu uporabu u tankom drvu, pri održavanju voćaka, za uklanjanje grana, skraćivanje grana.

Prisprema ogrjevnog drva dopuštena je samo ako promjer drva ne prekoračuje duljinu rezanja (20 cm).

Za te radove preporučujemo uobičajenu motornu pilu s dugim razmakom od ručke odn. dugom duljinom rezanja.

Tko ne smije rabiti uređaj:

Osobe koje nisu upoznate s priručnikom za uporabu, djeca mlađa od 16 godina i osobe pod utjecajem alkohola, narkotika i lijekova te umorne ili bolesne osobe.

Uređaj je namijenjen isključivo za rezanje drva. Proizvođač ne odgovara za štete uzrokovane nenamjenskom uporabom ili pogrešnim rukovanjem.

Uređaj je dopušteno rabiti samo namjenski. Svaka druga uporaba smatra se nenamjenskom. Za štete ili ozljede uzrokovane takvom uporabom odgovoran je korisnik/rukovatelj, a ne proizvođač.

Sastavni je dio namjenske uporabe i pridržavanje sigurnosnih napomena te uputa za montažu i rad u priručniku za uporabu.

Osobe koje uređajem rukuju i koje ga održavaju moraju biti upoznate s njim i podučene o mogućim opasnostima.

Osim toga, valja se strogo pridržavati važećih propisa o sprječavanju nesreća.

Valja se pridržavati ostalih općih pravila iz područja medicinske rada i tehničke sigurnosti.

Proizvođač ne odgovara za izmjene na uređaju i time uzrokovane štete.

Vodite računa o tome da naši uređaji namjenski nisu konstruirani za komercijalnu, obrtničku ili industrijsku uporabu. Ne preuzimamo odgovornost ako se uređaj rabi u komercijalnim, obrtničkim ili industrijskim pogonima te za srodne postupke.

## OPASNOST

Prema važećem njemačkom Zakonu o odgovornosti za proizvode, proizvođač ovog uređaja ne odgovara za štete koje nastanu na ovom uređaju ili koje ovaj uređaj uzrokuje u slučaju:

- montažom i zamjenom neoriginalnih rezervnih dijelova
- Uklanjanje ili izmjena sigurnosnih komponenti.

### 6.1 Nenamjenska uporaba

- Ovaj uređaj nije prikladan za radove obaranja stabala.
- Vodicu ne rabite kao polugu za pomicanje debala ili sličnog.
- Rezanje drva promjera većeg od 20 cm nije dopušteno.

## 7. Sigurnosne napomene

### 7.1 Opće napomene

#### UPOZORENJE

Uvijek budite pozorni, pazite na ono što radite i postupajte razumno prilikom rada s uređajem. Ne rabite uređaj ako ste bolesni ili umorni ili pod utjecajem narkotika, alkohola ili lijekova. Trenutak nepozornosti pri uporabi uređaja može uzrokovati ozbiljne ozljede.

Izbjegavajte pogrešne primjene, rabite stroj samo kao što je opisano u odjeljku "Namjenska uporaba".

Priručnik za uporabu sadržava važne napomene za siguran i ispravan rad s lančanom pilom te za izbjegavanje opasnosti. Ako ipak dođe do blokade između rezane građe i lanca pile, odmah je isključite. Pričekajte da se lanac pile zaustavi. Uklonite utikač svječiće i navucite rukavice otporne na rezanje kako biste uklonili blokadu. Ako treba ukloniti vodicu (mač), slijedite upute opisane u poglavlju "Montaža". Nakon uklanjanja blokade i ponovno montaže valja provesti probni rad. Ako se pritom uoče vibracije i mehanički zvukovi, prekinite rad i obratite se ovlaštenom servisu. Ako se takva opasnost često pojavljuje, preporučujemo ponovnu obuku.

- Prije stavljanja u pogon pročitajte priručnik za uporabu uređaja i naročito se pridržavajte sigurnosnih napomena.
- Pločice s upozorenjem i obavijesne pločice postavljene na uređaju sadržavaju važne napomene za siguran rad.
- Osim napomena iz priručnika za uporabu potrebno je pridržavati se općih sigurnosnih propisa i zakonskih propisa o zaštiti na radu.
- Držite ambalažne folije dalje od djece, postoji opasnost od gušenja!
- Nedovoljno informirani korisnici mogu zbog nepravilne uporabe ugroziti sebe i druge osobe. Rukovatelj je odgovoran za treće osobe.

- Prije početka rada provjerite funkciju poluge gasa. Nakon otpuštanja ona se mora automatski vratiti u položaj praznog hoda.
- Ne radite dulje od 10 minuta na jednom komadu. Savjetujemo da između radnih koraka napravite stanku od 10 do 20 minuta.
- Uređaj posudite samo korisnicima koji imaju iskustva s njim. Pritom valja predati priručnik za uporabu.
- Za pojedine zadatke rezanja potrebni su posebna obuka i posebne vještine. U slučaju dvojbe obratite se stručnjaku.
- Osobe koje prvi put rabe uređaj trebaju zatražiti upute kako bi se upoznale sa značajkama uređaja. Radi vlastite sigurnosti upišite se na nacionalnu obuku za rukovanje motornom pilom.
- U slučaju neuporabe uređaj valja odložiti tako da nikoga ne ugrožava. Zaštitite od neovlaštenog pristupa.
- Korisnik uređaja odgovoran je za sve nezgode i opasnosti koje štete drugim osobama ili njihovoj imovini.
- Djeca, mladi i osobe sa smanjenim tjelesnim, osjetilnim ili mentalnim sposobnostima ne smiju rabiti lančanu pilu. Iznimke postoje samo za mlade starije od 16 godina u okviru izobrazbe pod nadzorom stručnjaka.
- Električni sustav paljenja uređaja proizvodi malo elektromagnetsko polje. Ako ste osoba s elektrostimulatorom srca ili sličnim implantatima, prije uporabe uređaja posavjetujte se sa svojim liječnikom kako biste izbjegli zdravstvene rizike.
- Imajte na umu da nepravilno održavanje, uporaba neodgovarajućih rezervnih dijelova ili uklanjanje ili izmjena sigurnosnih naprava mogu uzrokovati štete na uređaju i teške ozljede osobe koje njime rukuju.

## 7.2 Osobna zaštitna oprema (OZO)

### OPASNOST

Uvijek nosite osobnu zaštitnu opremu (PPE), kao što su zaštitna za oči (vizir ili naočale), zaštita za glavu, ruke, noge i stopala prikladna za penjanje po drveću!

- Nosite zaštitnu kacigu za lice odn. zaštitne naočale i štitnik sluha.
- Nosite usko pripijenu radnu odjeću s umetkom za zaštitu od rezanja.
- Nosite protuklizne zaštitne cipele.
- Nosite zaštitne rukavice.
- Izbjegavajte široku odjeću koja se može zapetljati.
- Ne nosite šal, kravatu ili nakit!
- Ako imate dugu kosu, rabite mrežicu za kosu!
- Prilikom svih radova u šumi nosite zaštitnu kacigu. Ona pruža zaštitu od grana koje padaju. Redovito provjeravajte je li zaštitna kaciga oštećena. Valja je zamijeniti najkasnije nakon 5 godina. Rabite samo provjerene zaštitne kacige.

- Štitnik za lice odn. zaštitne naočale štite od piljevine i iverja. Kako biste izbjegli ozljede očiju, pri radu s uređajem uvijek valja nositi štitnik za lice odn. zaštitne naočale.
- Uvijek nosite zaštitu za sluh. Buka koju uređaj proizvodi može uzrokovati oštećenje sluha.
- Nosite čvrste zaštitne rukavice od otpornog materijala, npr. kože.
- Tijekom rezanja suhog drvca nosite masku protiv prašine. Može doći do stvaranja piljevine.
- Prilikom rada u stablu, korisnik se može srušiti. Korisnik može biti ozbiljno ozlijeđen ili ubijen. Nosite opremu za zaštitu od pada.

## 7.3 Skladištenje i transportiranje

- Prije svakog transporta isključite lančanu pilu, čak i na krćim dionicama. Uključite kočnicu lanca i postavite štitnik lanca.
- Štitnik lanca rabite pri transportu i skladištenju.
- Osigurajte stroj od prevrtanja tijekom transporta (i u vozilima) kako biste izbjegli gubitak goriva, štete ili ozljede.
- Uređaj nosite samo za prednju ruku. Vodilica je pritom okrenuta prema natrag, suprotno od vašeg tijela.
- Vrući prigušivač zvuka držite dalje od tijela. Postoji opasnost od opekline!
- Prije skladištenja provedite čišćenje i održavanje lančane pile.
- Uskladištite uređaj na sigurnom i suhom mjestu. Osigurajte ga od neovlaštenog pristupa.

## 7.4 Sigurnost okoliša

- Nacionalni i/ili komunalni propisi mogu vremenski ograničiti uporabu motornih uređaja koji proizvode buku. O tome se raspitajte u svojim lokalnim tijelima.
- Uređaj se ne smije rabiti u zatvorenim prostorijama ili drugim područjima s lošim prozračivanjem. Postoji opasnost od gušenja zbog otrovnih dimnih plinova / para mazivog ulja.
- Radove obavljate samo pri danjem svjetlu.
- Nemojte raditi ni u nepovoljnim vremenskim uvjetima, npr. po kiši ili vjetru. U tom slučaju postoji povećana opasnost od nezgode.
- Radno mjesto održavajte čistim i urednim.
- Prije i tijekom rada udaljite djecu, druge osobe i životinje. U slučaju odvrćanja pozornosti možete izgubiti kontrolu nad uređajem.
- Prije početka rada uvjerite se u to da u zoni opasnosti nema ljudi, životinja ili predmeta.
- Ne radite u blizini žičanih ograda ili u područjima s labavom starom žicom.

- Kada radite u lako zapaljivoj okolini, npr. na suhoj travi itd., pripremite sredstva za gašenje požara. Postoji opasnost od požara!

## 7.5 Ulijte gorivo

- Benzin je vrlo lakozapaljiv. Pri ulijevanju goriva držite se podalje od otvorene vatre i nemojte pušiti. Postoji opasnost od požara!
- Pazite na to da ne prolijevate benzin. Benzin ili ulje za lance ne smiju dospjeti u zemlju. Kao pomagalo uporabite prikladne podloge.
- Gorivo ulijevajte samo u dobro prozračenim prostorima. Benzinske pare mogu se lako zapaliti ili eksplodirati.
- Prije ulijevanja goriva isključite motor i pustite da se uređaj ohladi. Ako se benzin prolio, odmah očistite zahvaćena mjesta. Pazite na to da motorno gorivo ne dospije ni na vašu odjeću, u protivnom se odmah presvucite.
- Izbjegavajte i kontakt kože i očiju s benzinom ili mazivima (uljem).
- Ne udišite benzinske pare / pare mazivog ulja.
- Vodite računa o propuštanjima. Ako benzin istječe, ne pokrecite motor. Postoji opasnost od opekline.
- Oprezno otvorite zatvarač spremnika kako bi se mogao otpustiti eventualno postojeći pretlak i kako benzin ne bi prskao.

## 7.6 Prije stavljanja u pogon

### UPOZORENJE

Provjere provodite uvijek prije stavljanja u pogon i kada je motor isključen.

Prije svake uporabe i nakon pada na pod provjerite radnu sigurnost uređaja.

Provjerite funkcioniraju li svi pokretni dijelovi besprijekorno. Mnoge nezgode uzrokovane su loše održavanim alatima. Zamjenu oštećenih dijelova prepustite kvalificiranom stručnom osoblju.

Lančanu pilu i pribor rabite samo u skladu s ovim uputama. Pritom vodite računa o radnim uvjetima i zadatku koji valja obaviti. Uporaba motornih alata za primjene za koje nisu predviđeni može uzrokovati opasne situacije.

- Redovito provjeravajte funkcionalnost kočnice lanca (prednji štitnik za ruke, vidi sl. 2).
- Provjerite je li vodilica ispravno montirana.
- Provjerite je li lanac pile ispravno zategnut. Pridržavajte se uputa za podmazivanje, zatezanje lanca i zamjenu pribora. Nepravilno zategnut ili nepravilno podmazan lanac može se otrgnuti ili povećati opasnost od povratnog udarca.

- Alate za rezanje redovito oštrite i čistite. Redovito ga oštrite i pravodobno zamijenite istrošene dijelove. Pozorno održavani alati za rezanje s oštrim reznim rubovima manje će zapinjati i lakše ih je kontrolirati.
- Provjerite mogu li se poluga gasa i blokada poluge gasa laganom pomicati. Poluga gasa mora se samostalno vratiti u početni položaj.
- Provjerite ima li u spremniku dovoljno motornog goriva i ulja za podmazivanje lanca.
- Provjerite jesu li ručke čiste, suhe i bez ulja i prljavštine.
- Nikada ne radite sami. U slučaju nužde netko mora biti u blizini.
- Lančanu pilu rabite samo kada stojite na čvrstoj, stabilnoj i ravnoj podlozi. Izbjegavajte neobičan položaj tijela. Klizava podloga ili nestabilna površina (npr. ljestve) mogu uzrokovati gubitak ravnoteže ili gubitak kontrole nad lančanom pilom. Zauzmite siguran položaj tijela i uvijek održavajte ravnotežu. Na taj način moći ćete lančanu pilu bolje kontrolirati u neočekivanim situacijama.
- Nemojte raditi lančanom pilom na drvetu. U slučaju rada na drvetu postoji opasnost od ozljeda.
- Nikada ne režite iznad visine ramena.
- Lančanu pilu uvijek držite desnom rukom za stražnju ručku i lijevom rukom za prednju ručku. Držanje lančane pile u obrnutom radnom položaju povećava opasnost od ozljeda i ne smije se primjenjivati.
- Kada lančana pila radi, udaljite sve dijelove tijela od lanca pile. Prije pokretanja lančane pile uvjerite se u to da lanac pile ništa ne dodiruje. Tijekom rada lančanom pilom trenutak nepozornosti može dovesti do toga da lanac pile zahvati odjeću ili dijelove tijela.
- Odmah isključite lančanu pilu ako primijetite znatne promjene u ponašanju uređaja.
- Ako lančana pila dođe u kontakt s kamenjem, čavlama ili drugim tvrdim predmetima, odmah zaustavite motor i provjerite jesu li lanac pile i vodilica oštećeni.
- Pazite na to da lančana pila ne padne, ne udarajte njome o prepreke i nikada ne rabite vodilicu kao polugu.
- Lančanom pilom režite samo drvo.
- Pri rezanju grane koja je napeta imajte na umu da će ona poskočiti. Kada se napetost u drvenim vlaknima oslobodi, napeta grana može udariti rukovatelja i/ili lančana pila može se oteći kontroli.
- Budite posebno oprezni prilikom rezanja niskog grmlja i mladih stabala. Tanki materijal može se zapetljati u lancu pile te vas udariti ili vas izbaciti iz ravnoteže.

## 7.7 Vibracije

### **UPOZORENJE**

Izbjegavajte opasnosti uzrokovane vibracijama, npr. opasnost od bolesti bijelih prstiju (smetnje cirkulacije), tako da uzimate česte stanke pri radu tijekom kojih npr. protrljate članove.

- Uvijek nosite zaštitne rukavice i vodite računa o tome da su vam šake tople.
- Vodite računa o tome da je lanac uvijek oštar.
- Pravite redovite stanke pri radu.

## 7.8 Mjere opreza za zaštitu od povratnog udarca

### **UPOZORENJE**

Prilikom rada vodite računa o povratnom udarcu uređaja. Postoji opasnost od ozljeda. Povratne udarce izbjeći ćete opreznom i ispravnom tehnikom piljenja.

- Dodir s vrhom vodilice u nekim slučajevima može uzrokovati neočekivanu reakciju prema natrag, prilikom koje se vodilica odbija prema gore i u smjeru rukovatelja.
- Povratni udarac može se pojaviti kada vrh vodilice dodirne neki predmet ili kada se drvo savine i uklješti lanac pile u rezu.
- Uglavljivanje lanca pile na gornjem rubu vodilice može lančanu pilu brzo i nekontrolirano odbaciti natrag u smjeru rukovanja.
- Uglavljivanje lanca pile na donjem rubu vodilice može lančanu pilu brzo i nekontrolirano povući suprotno od smjera rukovanja.
- Budite izrazito oprezni kada lanac lančane pile rabite za nastavak rezanja već započetog reza.
- Ne režite grane ili komade drva koji bi tijekom postupka piljenja mogli promijeniti svoj položaj ili kod kojih se rez zatvara tijekom postupka piljenja.
- Svaka od tih reakcija može uzrokovati gubitak kontrole nad pilom i teške ozljede. Ne pouzdajte se isključivo u sigurnosne naprave montirane na lančanoj pili. Kao korisnik lančane pile poduzmite razne mjere kako biste mogli raditi bez nezgoda i ozljeda.

Povratni udarac posljedica je pogrešne ili neispravne uporabe. Moguće ga je spriječiti prikladnim mjerama opreza kao što je opisano u nastavku:

- Čvrsto držite pilu objema rukama, pri čemu palac i prsti obuhvaćaju ručke lančane pile. Zauzmite položaj tijela i postavite ruke tako da možete izdržati sile povratnog udarca. Ako se poduzmu prikladne mjere, rukovatelj može svladati sile povratnog udarca. Nikada ne puštajte lančanu pilu.
- Izbjegavajte abnormalni položaj tijela i nikada ne pilite iznad visine ramena. Time se izbjegava nenamjerno dodirivanje vrha vodilice i omogućava se bolja kontrola nad lančanom pilom u neočekivanim situacijama.
- Uvijek rabite rezervne vodilice i lance pile koje je propisao proizvođač. Pogrešne rezervne vodilice i lanci pile mogu uzrokovati otkidanje lanca pile i/ili povratni udarac.
- Pridržavajte se uputa proizvođača za oštrenje i održavanje lanca pile. Preniski granični dubine povećavaju mogućnost povratnog udarca.
- Ne pilite s vrhom mača. Postoji opasnost od povratnog udarca. (Sl. 7)
- Uvjerite se u to da u području rezanja nema čavala ili metalnih predmeta. Posebno vodite računa o čavlima ili željeznim predmetima u okolini područja rezanja. Budite izrazito oprezni i pri piljenju tvrdog drva kod kojeg se lanac može uglaviti. Zbog toga može doći do povratnog udarca.
- Započnite rezanje punom snagom i tijekom rezanja uvijek održavajte maksimalnu brzinu lančane pile.
- Pobrinite se za to da na podu ne leže predmete preko kojih se možete spotaknuti.

## 7.9 Ponašanje tijekom rada i radna tehnika

- Radite samo u uvjetima dobre vidljivosti i dobrog osvjetljenja. Posebno pripazite na poledicu, vlagu, led i snijeg (opasnost od klizanja). Povećana opasnost od klizanja postoji na svježe oguljenom drvu (strugotina).
- Nikada ne radite na nestabilnim podlogama. Vodite računa o preprekama u radnom području, opasnost od spoticanja. Uvijek valja voditi računa o stabilnom položaju.
- Nikada ne pilite iznad visine ramena.
- Nikada ne pilite dok stojite na ljestvama.
- Nikada se ne penjite na drvo i ne radite lančanom pilom bez odgovarajućih sustava za držanje osoba i stroja. Preporučujemo da radove uvijek obavljate s radne platforme.
- Ne radite previše nagnuti prema naprijed.
- Lančanu pilu vodite tako da se nijedan dio tijela ne nalazi u produženom području zakretanja lanca pile.
- Lančanom pilom režite samo drvo.
- Pokrenutim lancem pile ne dodirujte tlo.

- Područje rezanja očistite od stranih tijela poput pijeska, kamenja, čavala itd. Strana tijela oštećuju sklop za piljenje i mogu uzrokovati opasan povratni udarac (kickback) te mogu izletjeti.
- Tijekom piljenja rezanog drva rabite stabilan oslonac (po mogućnosti stalak za piljenje). Drvo se ne smije držati stopalom niti ga smije držati druga osoba.
- Oblovine valja osigurati od izvrtanja u rezu.
- Nikada ne radite bez nazubljenog graničnika, lančana pila može otrgnuti rukovatelja prema naprijed. Nazubljeni graničnik rabite za rezanje debala ili debelih grana. Uporaba nazubljenog graničnika povećava sigurnost na radu, smanjuje osobno opterećenje tijekom rada i vibracije.
- Pri obaranju stabala i skraćivanju grana nazubljenu letvu (nazubljeni graničnik) valja prisloniti uz drvo koje se reže. Uporaba nazubljene letve preporučuje se i za piljenje debelih grana.
- Prije svakog skraćivanja grana čvrsto postavite nazubljenu letvu, tek tada pokrenutim lancem pile započinite piljenje drva. Pritom se pila povlači prema gore za stražnju ručku i vodi s pomoću stremenaste ručke. Nazubljena letva služi kao okretna točka. Upuštanje u drvo provodi se laganim pritiskom na stremenastu ručku. Pritom lančanu pilu povucite malo prema natrag. Nazubljenu letvu postavite dublje pa stražnju ručku ponovno povucite prema gore.
- Oprez pri rezanju rascjepkanog drva. Mogu se istodobno otkinuti otpiljeni komadi drva (opasnost od ozljeda).
- Lančana pila može pri rezanju gornjom stranom vodilice udariti u smjeru rukovatelja ako se lanac pile zaglavi. Stoga bi po mogućnosti trebalo piliti donjom stranom vodilice jer se lančana pila povlači dalje od tijela u smjeru drva.
- Drvo pod pritiskom valja uvijek najprije zarezati na strani pritiska. Tek nakon toga treba napraviti rez na strani koja se povlači. Tako se sprječava zaglavljivanje vodilice.
- Tijekom rada na drvetu motorna pila može pasti. Osobe se mogu teško ozlijediti i može nastati materijalna šteta. Motornu pilu osigurajte s pomoću ovisne naprave.
- Pri uvođenju lanca pile u područje rezanja može doći do bočnog klizanja ili poskakivanja motorne pile.

## **▲ POZOR**

### **Povećana opasnost od povratnog udarca!**

Kako bi se u trenutku "razrezivanja piljenjem" zadržala potpuna kontrola, smanjite silu pritiskanja prema kraju reza i pritom nemojte prestati čvrsto držati ručke lančane pile. Pazite na to da lanac pile ne dodiruje tlo. Nakon završetka reza pričekajte da se lanac pile zaustavi prije nego što uklonite lančanu pilu. Uvijek isključite motor lančane pile prije nego prijedete na sljedeće stablo.

## **▲ UPOZORENJE**

Pri duljem radu zbog vibracija u šakama rukovatelja može doći do cirkulacijskih smetnja (sindrom bijelih prstiju).

Sindrom bijelih prstiju oboljenje je krvnih žila pri kojem se male krvne žile na prstima i nožnim prstima iznenada zgrče. Pogođena mjesta više se ne opskrbljuju s dovoljno krvi i zbog toga izgledaju ekstremno blijeda. Česta uporaba vibrirajućih uređaja kod osoba s oslabljenom cirkulacijom (npr. pušača, dijabetičara) može izazvati oštećenje živaca.

Ako uočite neuobičajene pojave, odmah prekinite rad i potražite liječničku pomoć.

Pridržavajte se sljedećih napomena kako biste smanjili opasnosti:

- Održavajte tijelo, a naročito šake, toplima pri hladnom vremenu.
- Redovito pravite stanke i pritom pomičite šake kako biste potaknuli cirkulaciju.
- Smanjite na minimum vibriranje stroja redovitim održavanjem i nepomičnim dijelovima na uređaju.

## **7.10 Potencijalni rizici**

### **▲ OPASNOST**

#### **OPASNOST OD OZLJEDA!**

Kontakt s lancem pile može uzrokovati smrtonosne posjekotine.

Nikada ne posežite rukama u pokrenuti lanac pile.

#### **OPASNOST OD POVROTNOG UDARCA!**

Povratni udarac može uzrokovati smrtonosne posjekotine.

#### **OPASNOST OD OPEKLINA!**

Lanac i vodilica zagrijavaju se tijekom rada.

**Uređaj je konstruiran prema aktualnom stanju tehnologije i prihvaćenim pravilima tehničke sigurnosti. Unatoč tome, prilikom rada mogu se pojaviti neke potencijalni rizici.**

Osim toga, unatoč svim poduzetim mjerama opreza, mogu postojati skriveni potencijalni rizici.

Potencijalne opasnosti moguće je smanjiti na minimum pridržavanjem uputa iz odjeljaka "Sigurnosne napomene" i "Namjenska uporaba" te cijelog priručnika za uporabu.



## 8. Tehnički podatci

Stroj bez mača

Duljina x širina x visina .....	270 x 230 x 240 mm
Približna težina bez tekućina, bez opreme	
za rezanje .....	3,4 kg
Približna težina bez tekućina, s opremom	
za rezanje .....	3,8 kg
Spremnik za ulje za podmazivanje lanca .....	0,16 l
Zapremnina spremnika goriva .....	0,23 l
Smjesa ulja i motornog goriva .....	1:40
Duljina rezanja .....	20 cm
Duljina mača .....	30 cm
Automatsko podmazivanje lanca .....	da
Korak lanca .....	3/8" (9,525 mm)
Debljina karike lanca .....	1,27 mm
Vrsta lanca .....	3/8LP-40
Broj zuba pogonskog lančanika .....	6
Korak zuba pogonskog lančanika .....	3/8"
Vrsta mača .....	AP10-40-509P
Brzina lanca maks. ....	21 m/s
Motor .....	1-cilindarski, 2-taktni hlađen zrakom
Radni obujam motora .....	25,4 cm <sup>3</sup>
Maks. snaga motora prema normi ISO 7293 .....	0,7 kW
Brzina vrtnje u praznom hodu $n_0$ .....	3300 ± 300 min <sup>-1</sup>
Maksimalna brzina vrtnje s opremom	
za rezanje .....	11000 min <sup>-1</sup>
svječica .....	L8RTC

**Ovisno o uporabi i aktivnostima koje se obavljati, razinu zvučnog tlaka valja smanjiti tako da se ne narušava zdravlje rukovatelja. Razina zvučnog tlaka na radnom mjestu može prekoračiti 80 dB (A). U tom slučaju rukovatelj mora poduzeti mjere za zaštitu od buke (npr. nošenjem štitnika sluha).**

**Ograničite razinu buke i vibracije na minimum!**

- Rabite samo ispravne uređaje.
- Redovito održavajte i čistite uređaj.
- Prilagodite način rada uređaju.
- Ne preopterećujte uređaj.
- Po potrebi zatražite provjeru uređaja.
- Isključite uređaj kada nije u uporabi.
- Nosite rukavice.

Tzmerjena razina zvučnog tlaka $L_{pA}$ .....	99,2 dB
Nesigurnost $K_{pA}$ .....	3 dB
Zajamčena razina zvučne snage $L_{WA}$ .....	113 dB
Izmjerena razina zvučne snage $L_{WA}$ .....	108,7 dB
Nesigurnost $K_{WA}$ .....	3 dB

Vibracija, prednja ručka .....	8,98 m/s <sup>2</sup>
Vibracija, stražnja ručka .....	8,03 m/s <sup>2</sup>
Nesigurnost .....	1,5 m/s <sup>2</sup>

### Nosite štitnik sluha.

Djelovanje buke može uzrokovati gubitak sluha.

Navedene vrijednosti emisije buke izmjerene su normiranim postupkom ispitivanja i mogu se rabiti za uspoređivanje uređaja s nekim drugim uređajem.

Specificirane vrijednosti emisije buke mogu se uporabiti i za preliminarnu procjenu opterećenja.

### Upozorenje:

- Vrijednosti emisije buke tijekom stvarne uporabe uređaja mogu se razlikovati od specificiranih vrijednosti, ovisno o načinu uporabe uređaja, a naročito o vrsti izratka.
- Pokušajte što više smanjiti opterećenje. Primjer takve mjere: ograničavanje vremena rada. Pritom valja uzeti u obzir sve dijelove radnog ciklusa (npr. vremena u kojima je uređaj isključen i vremena u kojima je on uključen, ali radi bez opterećenja).

## 9. Prije stavljanja u pogon

1. Otvorite pakiranje i oprezno izvadite uređaj.
2. Uklonite ambalažni materijal te ambalažne i transporte osigurače (ako postoje).
3. Provjerite je li isporučena oprema kompletna.
4. Provjerite postoje li na uređaju i priboru štete kod transporta.
5. Sačuvajte pakiranje po mogućnosti do isteka jamstvenog razdoblja.
6. Skinite kratke upute s užeta pokretača (8).

### POZOR

Uređaj i ambalažni materijal nisu dječja igračka! Djeca se ne smiju igrati plastičnim vrećicama, folijama i malim dijelovima! Postoji opasnost od gutanja i gušenja!

## 9.1 Montiranje vodilice (2) i lanca pile (1)

### UPOZORENJE

#### Opasnost od ozljeda!

Uvijek nosite zaštitne rukavice kada dodirujete lanac pile (1).  
Opasnost od ozljeda zbog oštrih reznih zuba!

Rabite samo dopuštene kombinacije lanca pile (1) i vodilice (2) (vidi poglavlje "Dopuštena oprema za rezanje").

Montažu provodite uvijek kada je motor isključen.

#### Napomena

Novi lanac pile (1) rasteže se i valja ga često zatezati. Redovito provjeravajte napetost lanca i namjestite je.

Ovisno o trošenju, vodilica (2) se može okrenuti.

1. Postavite lančanu pilu na ravnu, stabilnu podlogu.
2. Povucite prednji štitnik za ruke (3) prema natrag do graničnika kako biste otpustili kočnicu lanca. (Slika 2)
3. Uklonite obje pritezne matice (16) ključem za svjeće (20).
4. Skinite pokrov lančanika (17).
5. Okrećite vijak za zatezanje lanca (23) nalijevo (suprotno od smjera kazaljke na satu) sve dok stezni zatik lanca (26) ne stoji na desnom graničniku (sl. 3). U tu svrhu uporabite plosnati odvijač (20).
6. Pomaknite dugačku rupu vodilice (2) iznad dvaju pričvrstnih svornjaka koji strše (29).
7. Postavite lanac pile (1) preko zuba lančanika (27). Provedite lanac pile (1) precizno u smjeru navedenom na vodilici (2). U vrhu vodilice (2) nalazi se zupčanik (30) u čije se ozubljenje mora umetnuti lanac pile (1). (Sl. 6 i 18)
8. Malo povucite vodilicu (2) kako biste lagano zategnuli lanac pile (1).
9. Ponovno postavite pokrov lančanika (17). Vodite računa o tome da unutarnji stezni zatik lanca (26) stoji u odgovarajućem provrtu vodilice (2). Po potrebi vijak za zatezanje lanca (23) namjestite plosnatim odvijačem (20).
10. Rukom navrnite obje pritezne matice (16). Međutim, vodite računa o tome da ih još ne pritegnete. Pritezne matice (16) pritežu se tek nakon zatezanja lanca pile (1).

## 9.2 Zatezanje i provjera lanca pile (1)

### UPOZORENJE

Navucite zaštitne rukavice! Opasnost od ozljeda zbog oštrih reznih zuba!

Prije svakog stavljanja u pogon redovito provjeravajte napetost lanca.

Uvijek provodite provjere prije rada i s ugašenim motorom.

1. Prije zatezanja obje pritezne matice (16) morate malo otpustiti ključem za svjeće (20).
2. Okrenite vijak za zatezanje lanca (23) plosnatim odvijačem (20) nadesno kako biste povećali zategnutost.
3. Pritegnite obje pritezne matice (16) ključem za svjeće (20).
4. Lanac pile (1) mora nalijegati uz donju stranu mača. Provjerite možete li se lanac pile (1) (kada je kočnica lanca otpuštena, prednji štitnik za ruke (3) povucite prema natrag) rukom povući preko vodilice (2).

#### NAPOMENA

Novi lanac pile (1) rasteže se i valja ga često zatezati.

## 9.3 Miješanje motornog goriva

Motor mora raditi sa smjesom goriva koja se sastoji od benzina i motornog ulja.

### UPOZORENJE

Izbjegavajte izravan dodir kože s motornim gorivom i udisanje para goriva.

Rabite samo smjesu bezolovnog benzina (min. ROZ 95) i specijalnog ulja za dvotaktne motore (JASO FD/ISO - L - EGD). Pomiješajte smjesu goriva prema tablici miješanja motornog goriva. Ulijte ispravnu količinu benzina i ulja za dvotaktne motore u priloženi spremnik za miješanje (22) (vidi "Tablica miješanja motornog goriva"). Zatim dobro protresite spremnik za miješanje (22).

### 9.3.1 Tablica miješanja motornog goriva

**Postupak miješanja: 40 udjela benzina na 1 udio ulja**

**Benzin..... Ulje za 2-taktne motore  
0,5 litara..... 12,5 ml**

#### 9.4 Ulijevanje motornog goriva (sl. 8)

##### UPOZORENJE

Motorno gorivo dolijte samo kada je motor isključen i ohlađen. Postoji opasnost od požara!

1. Prije ulijevanja motornog goriva uvijek očistite područje oko zatvarača spremnika goriva (13) kako prljavština ne bi upala u spremnik goriva. Za to rabite suhu krpu koja ne ostavlja dlačice.
2. Uređaj položite na stranu tako da je zatvarač spremnika goriva (13) okrenut prema gore.
3. Okrenite zatvarač spremnika goriva (13) nalijevo i otvorite ga. Zatvarač spremnika goriva (13) povezan je sa zaštitom od gubitka u spremniku goriva i zbog toga ne može pasti.
4. Ulijte smjesu goriva u spremnik goriva. Tijekom ulijevanja goriva nemojte prolijevati motorno gorivo i nemojte napuniti spremnik goriva skroz do ruba.
5. Odmah obrišite proliveno motorno gorivo.
6. Okrenite zatvarač spremnika goriva (13) nadesno kako biste ga zatvorili.

##### NAPOMENA

Nakon svakog ulijevanja motornog goriva provjerite i ulje za lance.

#### 9.5 Ispuštanje motornog goriva

**Praznite spremnik goriva samo na otvorenom ili u dobro provjetranim prostorijama. Pobrinite se za to da motorno gorivo ne dospije u zemlju (zaštita okoliša). Uporabite prikladnu podlogu.**

1. Postavite prihvatni spremnik ispod spremnika goriva.
2. Odvrnite zatvarač spremnika goriva (13) i skinite ga.
3. Potpuno ispusite smjesu benzina i ulja.
4. Ponovno rukom pritegnite zatvarač spremnika goriva (13).

#### 9.6 Ulijevanje ulja za lance (sl. 8)

##### UPOZORENJE

Ulje za lanac pile dolijte samo kada je motor isključen i ohlađen. Postoji opasnost od požara!

Nikada ne radite bez podmazivanja lanca! Ako lanac pile (1) radi na suho, oprema za rezanje u kratkom će se roku nepovratno uništiti.

Prije rada uvijek provjerite podmazivanje lanca.

##### NAPOMENA

Rabite samo ulje za lanac pile. Po mogućnosti biološki razgradivo. Ne rabite staro ulje, motorno ulje itd.

Tijekom rada provjerite funkcionira li podmazivanje lanca.

1. Prije ulijevanja goriva uvijek očistite područje oko zatvarača spremnika ulja za lance (11) kako prljavština ne bi upala u spremnik ulja za lance. Za to rabite suhu krpu koja ne ostavlja dlačice.
2. Uređaj položite na stranu tako da je zatvarač spremnika ulja za lance (11) okrenut prema gore.
3. Okrenite zatvarač spremnika ulja za lance (11) nalijevo i otvorite ga. Zatvarač spremnika ulja za lance (11) povezan je sa zaštitom od gubitka u spremniku ulja za lance i zbog toga ne može pasti.
4. Ulijte biološko ulje za lance u spremnik ulja za lance. Tijekom ulijevanja goriva nemojte prolijevati ulje za lance i nemojte napuniti spremnik ulja za lance skroz do ruba.
5. Odmah obrišite proliveno ulje za lance.
6. Okrenite zatvarač spremnika ulja za lance (11) nadesno kako biste ga zatvorili.

#### 10. Stavljanje u pogon

##### OPREZ

Pridržavajte se zakonskih odredbi Zakona o zaštiti od buke.

Prije svake uporabe na uređaju provjerite sljedeće:

- Nepropusnost sustava pogonskog goriva
- Ispravnost i cjelovitost zaštitnih naprava i reznog sklopa
- Pritegnutost svih vijčanih spojeva
- Pokretljivost svih pokretnih dijelova

##### Radne upute

Prije uporabe upoznajte se s rukovanjem lančanim pilom.

#### 10.1 Pokretanje motora

##### POZOR

Prije pokretanja motora udaljite se najmanje 3 metra od mjesta ulijevanja goriva (sl. 9).

Uvijek povlačite uže pokretača (8) ravno naprijed. Ručku užeta pokretača (8) držite čvrsto kada se uže pokretača (8) ponovno uvlači. Nikada nemojte dopustiti da se uže pokretača (8) odbije.

Neposredno nakon pokretanja motora otpustite polugu gasa (5). Prije otpuštanja kočnice lanca provjerite je li se brzina vrtnje motora vratila u prazni hod (prednji štitnik za ruke (3) pritisnite prema natrag).

Polugu za hladno pokretanje (prigušnicu) (14) izvucite samo radi pokretanja.

### 10.1.1 Pokretanje s hladnim motorom

#### UPOZORENJE

Prije svakog stavljanja u pogon uključite kočnicu lanca (prednji štitnik za ruke (3) pritisnite prema naprijed).

#### POZOR

Nikada nemojte dopustiti da se uže pokretača (8) odbije. To može uzrokovati oštećenja.

1. Skinite pokrov vodilice (21).
2. Postavite lančanu pilu na stabilnu i ravnu podlogu. Pritom lanac pile (1) ne smije dodirivati tlo.
3. Pritisnite prednji štitnik za ruke (3) prema naprijed sve dok se ne uglavi. Lanac pile (1) blokira se s pomoću kočnice lanca.
4. Pumpu za gorivo "pokretač" pritisnite 7 puta (4). (Sl. 1)
5. Postavite sklopku za uključivanje/isključivanje (15) na "ON". (Sl. 1)
6. Izvucite polugu za hladno pokretanje (prigušnicu) (14). (Sl. 10.2)
7. Čvrsto držite lančanu pilu za prednju ručku (12) i polako izvucite uže pokretača (8) do prvog otpora.
8. Sada naglo povucite uže pokretača (8) sve dok se motor ne pokrene. Ako se motor ne pokrene, ponovite postupak. Sve dok je poluga za hladno pokretanje (prigušnica) (14) izvučena, motor se nakratko pokrene i ponovno se isključuje.
9. Čim se motor isključuje, istodobno pritisnite blokadu poluge gasa (7) i polugu gasa (5). Poluga za hladno pokretanje (prigušnica) (14) automatski prelazi u radni položaj "toplo pokretanje". (Sl. 10.1)
10. Sada ponovno naglo povucite uže pokretača (8) sve dok se motor ne pokrene.

Ako se motor ne pokrene ni nakon više pokušaja, pročitajte poglavlje "Otklanjanje smetnji".

## NAPOMENA

Pri visokim vanjskim temperaturama može se dogoditi da pokretanje hladnog motora također treba obaviti bez poluge za hladno pokretanje (prigušnice) (14)!

- Otpustite kočnicu lanca tako da prednji štitnik za ruke (3) povučete prema natrag. (Slika 2)
- **OPREZ!** Kočnica lanca je sada otpuštena. Ako se poluga gasa (5) pritisne zajedno s blokadom poluge gasa (7), lanac pile će se pokrenuti (1).

### 10.1.2 Pokretanje s toplim motorom (Uređaj nije radio manje od 15 – 20 minuta.)

#### UPOZORENJE

Prije svakog stavljanja u pogon uključite kočnicu lanca (prednji štitnik za ruke (3) pritisnite prema naprijed).

1. Pritisnite prednji štitnik za ruke (3) prema naprijed sve dok se ne uglavi. Lanac pile (1) blokira se s pomoću kočnice lanca.
2. Postavite sklopku za uključivanje/isključivanje (15) na "ON".
3. Za pokretanje zagrijanog motora nije potrebno povući polugu za hladno pokretanje (prigušnicu) (14).
4. Čvrsto držite lančanu pilu za prednju ručku (12) i polako izvucite uže pokretača (8) do prvog otpora.
5. Naglo povucite uže pokretača (8). Uređaj bi se trebao pokrenuti nakon 1 – 2 povlačenja. Ako se uređaj nakon 6 povlačenja još uvijek ne pokrene, ponovite postupak opisan u odjeljku "Pokretanje s hladnim motorom".

## 10.2 Isključite motor.

### 10.2.1 Sigurnosni postupak

Ako je potrebno odmah zaustaviti uređaj, u tu svrhu postavite sklopku za uključivanje/isključivanje (15) na "OFF". (Sl. 1)

### 10.2.2 Normalni postupak

1. Pustite polugu gasa (5). Motor se prebacuje u brzinu praznog hoda.
2. Zatim postavite sklopku za uključivanje/isključivanje (15) na "OFF". (Sl. 1)

## 10.3 Rad u praznom hodu

#### POZOR

U praznom hodu lanac pile (1) mora biti zaustavljen.

## NAPOMENA

Ako se lanac pile (1) u praznom hodu pomiče ili ako se motor samostalno isključuje pri oduzimanju gasa, potrebno je provesti namještanje rasplinjača (vidi poglavlje "Održavanje namještanja rasplinjača").

1. Podignite lančanu pilu.
2. Lijevom rukom čvrsto držite prednju ručku (12).
3. Desnom rukom čvrsto držite stražnju ručku (6). Pritom se palčana uzvisina nalazi na blokadi poluge gasa (7), a kažiprst pritišće polugu gasa (5).
4. Nakon jednog pritiska poluge gasa (5) motor radi u praznom hodu.
5. Pustite da se motor kratko zagrije.

## 10.4 Provjera i namještanje podmazivanja lanca

### ⚠ POZOR

- Nikada ne radite bez podmazivanja lanca! Ako lanac pile (1) radi na suho, oprema za rezanje u kratkom će se roku nepovratno uništiti.
- Prije rada uvijek provjerite podmazivanje lanca.

### Napomena

Rabite samo ulje za lanac pile, po mogućnosti biološki razgrađivo. Ne rabite staro ulje, motorno ulje itd.

Pokrenutu lančanu pilu pri srednjoj brzini vrtnje držite iznad otpiljenog panja ili iznad odgovarajuće podloge. Ako je podmazivanje dostatno, na panju ili na podlozi stvorit će se lagani sloj ulja.

- Ako je potrebno, podmazivanje lanca može se povećati ili smanjiti vijkom za regulaciju ulja (32) (sl. 11).
- U tu svrhu kao pomagalo upotrijebite isporučeni plosnati odvijač (20):
  - Najprije pritisnite vijak za regulaciju ulja (32) pa ga zatim okrenite nadesno kako biste smanjili podmazivanje lanca.
  - Najprije pritisnite vijak za regulaciju ulja (32) pa ga zatim okrenite nalijevo kako biste povećali podmazivanje lanca.

## 10.5 Provjera kočnice lanca

### ⚠ UPOZORENJE

Kočnicu lanca valja provjeriti prije svakog stavljanja u pogon. Kočnica lanca odmah će zakočiti lanac pile (1) u slučaju povratnog udara.

1. Vodite računa o tome da na prednjem štitniku za ruke (3) nema prljavštine i da se može lagano pomicati.

2. Pokrenite lančanu pilu i ubrzajte lanac pile (1) do pune brzine (puni gas).
3. Kada se lanac pile kreće (1), aktivirajte prednji štitnik za ruke (3). Kočnica lanca mora kočiti i blokirati lanac pile (1) pri maksimalnoj brzini.

### ⚠ UPOZORENJE

Povećana brzina vrtnje motora dulje vrijeme kada je kočnica lanca blokirana šteti motoru i lančanom pogonu.

Ako se lanac pile (1) svedjedno kreće, obratite se servisnoj službi.

## 11. Primjena

### 11.1 Radovi uklanjanja grana

- Načelno obratite pozornost na opasnost od grana koje se odbijaju.
- Pri uklanjanju grana nemojte stajati na deblu.
- Ne pilite vrhom vodilice. (Sl. 7)
- Nikada istodobno ne pilite više grana.
- Lančanu pilu pri uklanjanju grana po mogućnosti poduprite nazubljenim graničnikom (24).
- Imajte na umu da se na kraju reza lančana pila može zakrenuti zbog svoje vlastite težine. Više se ne podupire u rezu pa je morate odgovarajuće pridržavati.
- Pri uklanjanju grana zauzmite čvrst, stabilan i siguran položaj tijela.

#### 11.1.1 Radovi uklanjanja grana u pojedinim komadima

Prije završnog reza skratite dugačke odn. debele grane. U protivnom se lanac pile (1) može lako uglatiti.

#### 11.1.2 Obrada drva pod pritiskom

Pri obradi drva pod pritiskom valja se obavezno pridržavati pravilnog redoslijeda. U protivnom se lanac pile (1) može uglatiti ili može doći do povratnog udara.

Drvo pod pritiskom valja uvijek najprije zarezati na strani pritiska. Tek nakon toga treba napraviti rez na strani koja se povlači. (Sl. 24)

Tako se sprječava zaglavljivanje lanca pile (1).

### ⚠ POZOR

#### Materijalna šteta!

Drvo koje leži ne smije s donje strane mjesta reza dodirivati tlo jer se u protivnom može oštetiti lanac pile (1).

## Trzaj

- Uglavljivanje lanca pile (1) na gornjem rubu vodilice (2) može lančanu pilu brzo i nekontrolirano odbaciti natrag u smjeru rukovanja.

## Uvlačenje

- Uglavljivanje lanca pile (1) na donjem rubu vodilice (2) može lančanu pilu brzo i nekontrolirano povući suprotno od smjera rukovanja.

## Siguran rad

- Održavajte uređaj u dobrom stanju za uporabu kako biste izbjegli ozljede.
- Nakon pada na pod provjerite postoje li na njemu znatne štete ili neispravnosti.
- Nikada ne rabite uređaj stojeći na ljestvama ili na nestabilnoj podlozi.
- Ne dajte se navesti na nepromišljeni rez. To bi moglo ugroziti vas i druge osobe.
- Redovito mijenjajte radni položaj. Dulja uporaba uređaja može uzrokovati smetnje u cirkulaciji u šakama uvjetovane vibracijama. Međutim, razdoblje uporabe možete produljiti odgovarajućim rukavicama ili redovitim stankama. Vodite računa o tome da osobna sklonost lošoj cirkulaciji, niske vanjske temperature ili visoke sile stezanja pri radu smanjuju razdoblje uporabe.

### 11.2 Deblo je savijeno prema dolje

1. Najprije napravite rasteretni rez 1 (otprilike 1/3 promjera debbla) na strani pritiska.
2. Zatim napravite razdvojni rez 2 (otprilike 2/3 promjera debbla) na strani koja se povlači.

### 11.3 Deblo je savijeno prema gore

1. Najprije napravite rasteretni rez 1 (otprilike 1/3 promjera debbla) na strani pritiska.
2. Zatim napravite razdvojni rez 2 (otprilike 2/3 promjera debbla) na strani koja se povlači.

### 11.4 Uporaba pile za orezivanje drveća za rezanje stabala u kombinaciji s tehnikom penjanja s pomoću užeta

U ovom prilogu opisani su prikladni načini rada za smanjenje opasnosti od ozljeda pri uporabi lančanih pila za održavanje drveća tijekom rada na visini s užetom i remenom za nošenje. Iako ovaj prilog može poslužiti kao vodič i kao materijal za obuku, ne smije ga se smatrati zamjenom za službenu obuku. Upute navedene u ovom prilogu služe samo kao primjeri dobrog načina rada.

Mogu se primjenjivati nacionalni ili drugi propisi koji mogu biti stroži.

Korisnik lančane pile za održavanje drveća koji radi na visini s užetom i remenom za nošenje ne bi smio nikada raditi sâm. Radnik na tlu koji je prošao obuku za odgovarajuće mjere za slučaj nužde trebao bi biti prisutan i pomagati mu.

Korisnik bi općenito trebao biti obučen o sigurnim tehnikama penjanja i pozicioniranja pri radu te bi trebao biti opremljen remenom za nošenje, užetom, omčama, karabinerima i ostalom opremom u svrhu održavanja sigurnih i pravilnih radnih položaja, kako za sebe samoga, tako i za pilu.

Uvijek se valja strogo pridržavati nacionalnih zakona i propisa.

Ovaj se prilog ne bavi tehnikama provjere grana odrezanih lančanom pilom niti sadržava već obrađene točke o sigurnoj uporabi.

#### 11.4.1 Opći zahtjevi

Korisnik lančane pile za održavanje drveća koji radi na visini s užetom i remenom za nošenje ne bi smio nikada raditi sâm. Radnik na tlu koji je prošao obuku za odgovarajuće mjere za slučaj nužde trebao bi biti prisutan i pomagati mu.

Korisnik bi općenito trebao biti obučen o sigurnim tehnikama penjanja i pozicioniranja pri radu te bi trebao biti opremljen remenom za nošenje, užetom, omčama, karabinerima i ostalom opremom u svrhu održavanja sigurnih i pravilnih radnih položaja, kako za sebe samoga, tako i za pilu.

#### 11.4.2 Priprema prije uporabe pile za održavanje drveća na drvetu

Prije podizanja lančane pile do korisnika na drvetu, radnik na tlu trebao bi je provjeriti, uliti u nju gorivo, pokrenuti je i pričeka da se zagrije na radnu temperaturu te je zatim isključiti.

Lančana pila trebala bi biti opremljena odgovarajućom omčom kako bi se mogla postaviti na korisnikom remen za nošenje (sl. 13):

- Omču valja učvrstiti na ovisnoj napravi (19) koja se nalazi na stražnjoj strani pile (sl. 12).
- Valja pripremiti odgovarajuće karabinere kako bi se omogućilo neizravno (tj. s pomoću omče) i izravno (tj. na ovisnoj napravi (19) lančane pile) pričvršćivanje pile na korisnikovom remenu za nošenje.
- Za sigurno pričvršćivanje lančane pile valja biti oprezan tijekom podizanja pile do korisnika (sl. 14).
- Treba osigurati da je lančana pila pričvršćena za remen za nošenje prije nego što se otpusti s podiznog užeta.

Zahvaljujući mogućnosti izravnog pričvršćivanja lančane pile izravno na remenu za nošenje smanjuje se opasnost od oštećenja opreme prilikom pomicanja na drvetu. Lančana pila trebala bi biti uvijek isključena kada je pričvršćena izravno na remenu za nošenje.

Lančanu pilu treba postaviti samo na preporučene ovisne naprave na remenu za nošenje. One smiju biti na sredini (sprijeda ili straga) ili bočno. Uvijek kada je to moguće, lančanu pilu treba postaviti centrirano na stražnjoj središnjoj točki remena za nošenje kako bi se držala podalje od užadi za penjanje i kako bi se prihvatila težina na sredini ispod korisnikove kralježnice.

Ako se lančana pila premješta iz jedne ovisne naprave u drugu, korisnici bi trebali provjeriti je li lančana pila učvršćena u novom položaju prije nego što se otpusti u prethodnoj ovisnoj napravi.

## 11.5 Uporaba lančane pile na drvetu

Analiza nezgoda s ovim lančanim pilama pri radovima održavanja drveća pokazuje da je glavni uzrok nezgoda nepravilna uporaba lančane pile jednom rukom. U većini nezgoda korisnici ne zauzimaju siguran radni položaj koji im omogućuje da lančanu pilu drže za obje ručke, a to dovodi do povećane opasnosti od ozljeda zbog sljedećeg:

- Nedostatno čvrsto držanje pri povratnom udarcu lančane pile.
- Nepostojanje kontrole nad lančanom pilom zbog čega ona lakše može doći u dodir s užadi za penjanje i korisnikovim tijelom (posebno s lijevom šakom i rukom).
- Gubitak kontrole zbog nestabilnog radnog položaja i zbog toga kontakt s lančanom pilom (neočekivani pokreti tijekom rada s lančanom pilom).

## 11.6 Stabilan radni položaj pri uporabi objema rukama

Da bi se lančana pila mogla držati objema rukama, korisnici bi načelno trebali pokušati zauzeti stabilan radni položaj u kojem se pila vodi na sljedeći način:

- u visini kukova pri piljenju vodoravnih komada
- u visini trbuha pri piljenju okomitih komada.

Ako korisnik radi blizu okomitog debela s malim bočnim silama u odnosu na radni položaj, siguran položaj stopala mogao bi biti dovoljan za siguran radni položaj. Međutim, čim se korisnici udalje od debela, moraju poduzeti dodatne mjere kako bi smanjili ili suzbili bočne sile koje se povećavaju, npr. preumjeravanjem glavnog užeta preko dodatne ovisne naprave ili uporabom pomične omče koja vodi od sigurnosnog pojasa do dodatne ovisne naprave (sl. 15 i 16).

## 11.6.1 Pokretanje pile za održavanje drveća na drvetu

Pri pokretanju lančane pile na drvetu korisnik bi trebao:

- prije pokretanja aktivirati kočnicu lanca (prednji štitnik za ruke (3) pritisnite prema naprijed).
- pri pokretanju držati lančanu pilu lijevo ili desno od tijela:
  - Lančana pila na lijevoj strani drži se lijevom rukom za prednju ručku i okrenuta je od tijela, u desnoj ruci drži se uže za pokretanje.
  - Lančana pila na desnoj strani drži se desnom rukom za jednu od ručki i okrenuta je od tijela, u lijevoj ruci drži se uže za pokretanje.

Kočnica lanca trebala bi biti aktivirana uvijek prije nego što se pokrenuta lančana pila spušta na svojem užetu za nošenje.

Prije teških radova piljenja korisnik bi uvijek trebao paziti na to da u lančanoj pili ima dovoljno motornog goriva.

## 11.6.2 Uporaba lančane pile jednom rukom

Korisnici ne bi smjeli rabiti lančane pile za održavanje drveća jednom rukom u nestabilnim radnim položajima niti umjesto ručne pile za rezanje vrhova grana malog promjera. Lančane pile za održavanje drveća trebala bi rabiti jednom rukom samo kada

- a. korisnici ne mogu zauzeti radni položaj koji dopušta uporabu objema rukama.
- b. je potrebno jednom rukom osiguravati radni položaj.
- c. se lančana pila rabi u potpuno ispruženom položaju, pod pravim kutom u odnosu na tijelo i izvan linije prema tijelu korisnika.

Korisnici nikada ne bi smjeli:

- Piliti područjem povratnog udarca na vrhu vodilice (2) lančane pile.
- Držati se za granu koju pile.
- Pokušavati uhvatiti dijelove koji padaju.

## 11.6.3 Oslobođanje zaglavljene lančane pile

Ako se lančana pila zaglavljiva tijekom rezanja, korisnik bi trebao:

1. Isključiti lančanu pilu i čvrsto je pričvrstiti prema unutrašnjosti drveta (to znači prema deblu) ili na zasebno uže za alat.
2. Izvući lančanu pilu iz ureza dok se grana podiže koliko je potrebno.
3. Ako je potrebno, uporabiti ručnu pilu ili drugu lančanu pilu za oslobađanje uglavljene lančane pile tako da odreže granu najmanje 30 cm od uglavljene lančane pile.

Neovisno o tome rabi li se za oslobađanje uglavljene pile ručna ili lančana pila, rezovi za oslobađanje trebali bi uvijek biti izvana (prema vrhovima grana) kako otpiljeni dijelovi ne bi sa sobom povukli lančanu pilu i time dodatno zakomplicirali situaciju.

## 12. Transport

- Pri transportu uvijek rabite pokrov vodilice (21).
- Prije svakog transporta isključite lančanu pilu, čak i na kraćim dionicama. Osigurajte stroj od prevrtanja tijekom transporta (i u vozilima) kako biste izbjegli gubitak goriva, štete ili ozljede.
- Aktivirajte kočnicu lanca (prednji štitnik za ruke (3) pritisnite prema naprijed).
- Uređaj nosite samo za prednju ručku (12). Vodilica (2) je pritom okrenuta prema natrag, suprotno od vašeg tijela.
- Vrući prigušivač zvuka (18) držite dalje od tijela. Postoji opasnost od opeklin! (Sl. 23)

## 13. Čišćenje i održavanje

### ⚠ UPOZORENJE

#### Opasnost od ozljeda!

Prije radova čišćenja uvijek isključite uređaj i izvucite utikač svjeće (35).

(vidi poglavlje 13.4 Održavanje svjeće (34)).

#### Napomena

Nakon svake uporabe trebalo bi temeljito očistiti uređaj.

Radove čišćenja i održavanja provedite samo kao što je opisano u ovom priručniku za uporabu. Ostale radove mora provesti stručno osoblje.

Radove održavanja valja redovito provoditi (vidi poglavlje "Intervali održavanja").

### 13.1 Čišćenje jedinice motora

### ⚠ UPOZORENJE

#### Opasnost od opeklin!

Ne dirajte vruće prigušivače zvuka, cilindre ili rashladna rebra.

- Zaštitne naprave, ventilacijske proreze i kućište motora čistite od prašine i prljavštine. Uređaj ispušite stlačenim zrakom pri niskom tlaku.
- Uređaj redovito čistite vlažnom krpom i s malo sredstva za pranje posuđa. Pobrinite se za to da voda ne može prodrijeti u unutrašnjost uređaja.

### 13.2 Čišćenje filtra zraka (33) (sl. 17)

Onečišćeni filtri zraka smanjuju snagu motora zbog premlag dovoda zraka u rasplinjač.

Stoga je nužna redovita provjera. Filtar zraka (33) trebalo bi redovito provjeravati i po potrebi očistiti.

Ako je zrak vrlo prašnjav, filtar zraka (33) valja provjeravati češće.

1. Otpustite zatvarač za poklopac filtra zraka (10) tako da ga okrenete nalijevo.
2. Uklonite pokrov filtra zraka (9).
3. Izvadite filtar zraka (33).
4. Očistite filtar zraka (33) isprašivanjem ili ispuhivanjem (stlačenim zrakom).

Sastavljanje se obavlja obrnutim redoslijedom.

### ⚠ POZOR

Filtar zraka (33) nikada ne čistite benzinom ili zapaljivim otapalima.

### 13.3 Čišćenje lančanog pogona

### ⚠ UPOZORENJE

#### Opasnost od ozljeda!

Uvijek nosite zaštitne rukavice kada dodirujete lanac pile (1). Opasnost od ozljeda zbog oštrih reznih zuba!

#### Napomena

Lančani pogon očistite nakon svake uporabe.

1. Postavite lančanu pilu na ravnu, stabilnu podlogu.
2. Povucite prednji štitnik za ruke (3) prema natrag do graničnika kako biste otpustili kočnicu lanca. (Slika 2)
3. Okrenite vijak za zatezanje lanca (23) plosnatim odvijačem (20) nalijevo kako biste smanjili zategnutost.
4. Uklonite obje pritezne matice (16) ključem za svjeće (20).
5. Skinite pokrov lančanika (17).
6. Lanac pile (1) oprezno skinite s vodilice (2) i lančanika (27).
7. Uklonite vodilicu (2). Očistite je kistom.
8. Zatim cijelo područje lančanog pogona i pokrov lančanika (17) temeljito očistite kistom ili ispuhivanjem (stlačenim zrakom).

Sastavljanje se obavlja obrnutim redoslijedom.

### 13.4 Održavanje svjeće (34) (sl. 19/20)

1. Demontirajte filtar zraka (33) kao što je opisano u odjeljku 13.2 "Čišćenje filtra zraka" (33).



- Izvucite utikač svjećice (35) tako da ga okrećete nalijevo i nadesno i istodobno povučete. Držite i povlačite utikač svjećice (35) isključivo za utikač. Nikada ne povlačite kabl!
- Svjećicu (34) otpustite priloženim ključem za svjećice (20).
- Sastavljanje se obavlja obrnutim redoslijedom.

Razmak elektroda = 0,6 mm - 0,7 mm (razmak između elektroda između kojih se stvara iskra paljenja). Provjerite onečišćenost svjećice (34) prvi put nakon 10 radnih sati i po potrebi je očistite bakrenom žičanom četkom. Nakon toga održavajte svjećicu (34) svakih 50 radnih sati.

### 13.5 Održavanje podmazivanja lanca

- Vidi poglavlje "Provjera i namještanje podmazivanja lanca".

### 13.6 Održavanje namještanja rasplinjača

- Ako se lanac pile (1) u praznom hodu pomiče ili ako se motor samostalno isključuje pri oduzimanju gasa, potrebno je provesti namještanje rasplinjača.

#### Napomena

Namještanja rasplinjača (npr. namještanje brzine vrtnje u praznom hodu) prepustite samo kvalificiranom stručnom osoblju kako biste izbjegli oštećenja motora.

### 13.7 Održavanje vodilice (2)

- Metalnom turpijom uklonite eventualno nastale srhove na rubu vodilice.
- Očistite utor vodilice (2) kistom ili stlačenim zrakom (sl. 21). Zamijenite vodilicu (2) čim se utor za vođenje (28) istroši.
- Okrenite vodilicu (2) nakon svake uporabe kako biste osigurali ravnomjerno trošenje.
- Provjerite može li se zupčanik (30) na vrhu vodilice (2) lagano pomicati. Ako je potrebno, podmažite ga uljem za ležajeve. Kapnite nekoliko kapi ulja za ležajeve u otvor za podmazivanje (31). (sl. 21).

### 13.8 Provjera kočnice lanca

Vidi poglavlje 10.5 "Provjera kočnice lanca"

#### UPOZORENJE

#### OPASNOST OD POVRATNOG UDARCA!

Neispravna kočnica lanca povećava opasnost od povratnog udara.

Redovito provjeravajte kočnicu lanca.

Funkcionalna kočnica lanca neophodna je za vašu sigurnost.

### 13.9 Zatezanje i provjera lanca pile (1)

Vidi poglavlje 9.2 "Zatezanje i provjera lanca pile (1)"

### 13.10 Oštrenje i održavanje lanca pile (1)

#### UPOZORENJE

#### Opasnost od ozljeda!

Uvijek nosite zaštitne rukavice kada dodirujete lanac pile (1). Opasnost od ozljeda zbog oštih reznih zuba!

#### Napomena

Optimalno održavani i naoštreni lanac pile (1) smanjuje tjelesno opterećenje, trošenje i omogućuje bolji rezultat rezanja.

Redovito čistite, održavajte i oštrite lanac pile (1).

Redovito provjeravajte postoje li na lancu pile (1) pukotine i oštećene zakovice.

Brusni blok može se pričvrstiti na držač za brusni blok radi sigurnog držanja tijekom brušenja.

Za lanac pile (1) sadržan u opsegu isporuke rabite samo posebne okrugle turpije promjera Ø 4,8 mm (3/16").

U kompletu za oštrenje pronaći ćete detaljne informacije o postupku oštrenja.

Alternativno možete rabiti električni oštrač lanca i pridržavajte se uputa proizvođača.

U slučaju dvojbe o obavljanju radova valja zamijeniti lanac pile (1).

Oštrenje lanca pile (1) po potrebi prepustite specijaliziranoj radionici.

- Potreban pribor (nije sadržan u opsegu isporuke):
  - Okrugla turpija za lanac pile Ø 4,8 mm (3/16")
  - Plosnata turpija
  - Šablona za određivanje dubine
- Turpijajte samo prema naprijed kako biste skinuli materijal.
- Turpijajte pri kutu oštrenja od otprilike 25° pri usponu od 10° u odnosu na vodilicu (2).
- Provjerite razmak graničnika dubine s pomoću šablone za određivanje dubine.
- Ispravan razmak graničnika dubine trebao bi iznositi 0,6 mm (0,024").

### 13.11 Intervali održavanja

Za dugi vijek trajanja te radi izbjegavanja oštećenja i radi osiguravanja potpune funkcije sigurnosnih naprava valja redovito provoditi radove održavanja opisane u nastavku. Jamstveni zahtjevi priznaju se samo ako su ti radovi provedeni redovito i pravilno. U slučaju nepridržavanja postoji opasnost od nezgode!

Korisnici lančanih pila smiju provoditi samo radove održavanja i njege koji su opisani u ovom priručniku za uporabu.

Sve radove izvan tog okvira smije obavljati samo specijalizirana radionica.

Općenito	Cijela pila za orezivanje drveća	Očistite izvana i provjerite postoje li oštećenja. U slučaju oštećenja odmah zatražite stručni popravak.
	Lanac pile	Redovito oštrite, pravodobno zamijenite.
	Kočnica lanca	Redovito odnesite na provjeru u specijaliziranu radionicu
	Vodilica	Preokrenite kako bi se opterećene klizne površine ravnomjerno trošile. Pravodobno zamijenite.
Prije svakog stavljanja u pogon	Lanac pile	Provjerite naoštrenost i postoje li oštećenja. Provjerite napetost lanca.
	Vodilica	Provjerite postoje li oštećenja.
	Podmazivanje lanca	Provjera funkcioniranja
	Kočnica lanca	Provjera funkcioniranja
	Sklopka za uključivanje/isključivanje, blokada poluge gasa, poluga gasa	Provjera funkcioniranja
	Zatvarač spremnika goriva i zatvarač spremnika ulja za lance	Provjerite nepropusnost.
Svakodnevno	filtrar zraka	Čišćenje
	Vodilica	Provjerite postoje li oštećenja, očistite otvor za punjenje ulja
	Prihvat vodilice	Očistite, posebno otvor za vođenje ulja
	Brzina vrtnje u praznom hodu	Provjerite (lanac se ne smije istodobno pomicati)
Tjedno	Kučite ventilatora	Očistite kako biste zajamčili pravilan protok rashladnog zraka
	svjećica	Provjerite, po potrebi zamijenite
	Prigušivač zvuka	Provjerite postoje li naslage
	Hvatač lanca	Provjerite postoje li oštećenja, po potrebi zamijenite
	Vijci i matice	Provjerite stanje i čvrst dosjed
Kvartalno	Usisna glava	Mijenjanje
	Spremnik goriva, spremnik ulja za lance	Čišćenje
Skladištenje	Cijela pila za orezivanje drveća	Očistite izvana i provjerite postoje li oštećenja U slučaju oštećenja odmah zatražite stručni popravak
	Lanac pile i vodilica pile	Demontirajte, očistite i lagano nauljite Očistite otvor za vođenje vodilice
	Spremnik goriva, spremnik ulja za lance	Ispraznite i očistite
	Rasplinjač	Ispraznite

### 13.12 Važna napomena u slučaju popravka

U slučaju vraćanja uređaja radi popravka vodite računa o tome da je uređaj zbog sigurnosti potrebno poslati servisnoj radionici bez ulja i benzina.

### 13.13 Servisne informacije

Valja voditi računa o tome da kod ovog proizvođača sljedeći dijelovi podliježu trošenju zbog uporabe ili prirodnom trošenju, odnosno da su sljedeći dijelovi potrebni kao potrošni materijali.

Potrošni dijelovi\*: lanac pile, vodilica, ulje za lance, motorno ulje, nazubljeni graničnik, zahvatnik lanca, svjećica, filter zraka, filter goriva, filter ulja za lance

\* Nisu nužno uključeni u opseg isporuke!

### Dopuštena oprema za rezanje

Lanac pile

Kangxin 3/8LP-40.....7910100739

Oregon 91PO40X.....3910102032

Vodilica

Kangxin AP10-40-509P.....7910100740

Oregon 100SDEA041.....7910100744

## 14. Skladištenje

Ključ za svjećice / plosnati odvijač (20) moguće je radi čuvanja postaviti bočno na pokrov vodilice (21).

Pri skladištenju uvijek rabite pokrov vodilice (21).

Prije svakog skladištenja provedite čišćenje i održavanje uređaja, vidi poglavlje "Čišćenje i održavanje".

U potpunosti ispraznite spremnik ulja, odn. spremnik goriva.

### UPOZORENJE

Ne ispuštajte benzin u zatvorenim prostorijama, u blizini vatre ili prilikom pušenja. Plinske pare mogu uzrokovati eksploziju ili požar.

- Pokrenite motor i pustite ga da radi sve dok se ne potroši preostali benzin.

Uređaj i njegov pribor uskladištite na tamnom, suhom mjestu koje je zaštićeno od smrzavanja i nepristupačno djeci. Optimalna temperatura skladištenja je između 5 i 30 °C.

Lančanu pilu ne skladištite i ne rabite pri temperaturama ispod 0 °C!

Nikada ne spremajte lančanu pilu na dulje od 30 dana ako niste obavili sljedeće korake.

Prije skladištenja uređaja slijedite upute za čišćenje i napomene za održavanje!

### 14.1 Spremanje lančane pile

Ako lančanu pilu skladištite na dulje od 30 dana, potrebno ju je za to pripremiti. U suprotnom će preostalo motorno gorivo koje se nalazi u rasplinjaču ishlapijeti i ostaviti talog sličan gumi. To bi moglo otežati pokretanje i uzrokovati skupe radove popravljanja.

1. Polako skinite zatvarač spremnika goriva (13) kako biste otpustili eventualni tlak u spremniku. Oprezno ispraznite spremnik.
2. Pokrenite motor i pustite ga da radi sve dok se lančana pila ne zaustavi kako biste uklonili motorno gorivo iz rasplinjača.
3. Pustite motor da se ohladi (cca 5 minuta).
4. Izvadite svjećicu (34).
5. Ulijite 1 čajnu žličicu čistog ulja za dvotaktno motore u komoru za izgaranje. Više puta polako povucite uže pokretača (8) kako bi se premazale unutarnje komponente. Stavite natrag svjećicu (34).

Spremite lančanu pilu na suho mjesto, daleko od mogućih izvora zapaljenja, npr. pećnica, plinskih kotlova s vrućom vodom, plinskih sušilica itd. i izvan dosega djece.

Ako lanac pile (1) i vodilica (2) nisu demontirani, uvijek postavite pokrov vodilice (21).

### 14.2 Ponovno stavljanje lančane pile u pogon

1. Izvadite svjećicu (34).
2. Brzo povucite uže pokretača (8) kako biste uklonili suvišno ulje iz komore izgaranja.
3. Očistite svjećicu (34) i vodite računa o ispravnom razmaku elektroda na svjećici (34) ili stavite novu svjećicu (34) s ispravnim razmakom elektroda.
4. Pripremite lančanu pilu za rad.
5. Napunite spremnik ispravnom smjesom ulja i motornog goriva (1:40).

### 14.3 Skladištenje motornog goriva

Motorna goriva mogu se skladištiti samo ograničeno. Motorno gorivo i smjese goriva stare zbog isparavanja, posebno pod utjecajem visokih temperatura. Predugo skladišteno motorno gorivo i smjese goriva mogu stoga uzrokovati probleme pri pokretanju i oštećenja motora. Kupite samo količinu motornog goriva koju ćete potrošiti u nekoliko mjeseci. Pri visokim temperaturama smjesu goriva potrošite u 6 do 8 tjedana.

**Motorno gorivo skladištite samo u odgovarajućim spremnicima na suhom, hladnom i zaštićenom mjestu!**

## UPOZORENJE

### Izbjegavajte kontakt s kožom i očima!

Naftni derivati, čak i ulja, odmašćuju kožu. U slučaju ope-  
tovanog i duljeg kontakta koža se isušuje. Posljedica mogu  
biti različite kožne bolesti. Osim toga, poznate su alergijske  
reakcije.

Kontakt ulja s očima uzrokuje nadraživanje. U slučaju kontakta  
s očima dotično oko odmah isperite čistom vodom. Ako postoji  
dugotrajna nadražnost, odmah potražite liječničku pomoć!

## 15. Zbrinjavanje i recikliranje

### Napomene o ambalaži



Ambalažni materijali mogu se recikli-  
rati. Molimo zbrinite ambalažu na  
ekološki način.

### O mogućnostima zbrinjavanja starog uređaja raspitajte se kod mjerodavne općinske ili grad- ske službe.

#### Motorna goriva i ulja

- Prije zbrinjavanja uređaja potrebno je isprazniti rezervoar  
goriva i spremnik motornog ulja!
- Gorivo i motorna ulja ne spadaju u kućni otpad ili kanali-  
zaciju, nego ih valja odnijeti na odvojeno mjesto prikuplja-  
nja i zbrinjavanja!
- Prazne spremnike ulja i goriva potrebno je ekološki zbri-  
nuti.

## 16. Otklanjanje neispravnosti

Neispravnost	Mogući uzrok	Rješenje
Motor se ne pokreće ili se po- krene, ali ne nastavlja raditi.	Pogrešan postupak pokretanja.	Pridržavajte se uputa u ovom priručniku.
	Pogrešno namještena smjesa goriva i zraka za rasplinjač.	Namještanje rasplinjača prepustite ovlaštenoj servisnoj službi.
	Začađena svjećica.	Očistite/namjestite ili zamijenite svjećicu.
	Začepljen filter goriva.	Zamijenite filter goriva.
Motor se pokreće, ali ne radi punom snagom.	Onečišćen zračni filter	Uklonite filter, očistite ga i ponovno umetnite.
	Pogrešno namještena smjesa goriva i zraka za rasplinjač.	Namještanje rasplinjača prepustite ovlaštenoj servisnoj službi.
Motor trza	Pogrešno namještena smjesa goriva i zraka za rasplinjač.	Namještanje rasplinjača prepustite ovlaštenoj servisnoj službi.
Nema snage pri opterećenju	Pogrešno namještena svjećica.	Očistite/namjestite ili zamijenite svjećicu.
Motor radi nemirno	Pogrešno namještena smjesa goriva i zraka za rasplinjač.	Namještanje rasplinjača prepustite ovlaštenoj servisnoj službi.
Izrazito puno dima.	Pogrešna smjesa goriva.	Rabite ispravnu smjesu goriva (omjer 1:40).
Nema snage pri opterećenju	Lanac je tup ili labav	Naoštrite lanac ili stavite novi. Zategnite lanac.
Motor se isključuje	Spremnik benzina je prazan ili je filter goriva u spremniku pogrešno pozicioniran	Napunite spremnik benzina. Spremnik benzina napunite u potpunosti ili drugačije pozicionirajte filter goriva u spremniku benzina.
Nedostatan podmazivanje lanca (mač i lanac budu vrući)	Spremnik ulja za lance je prazan	Napunite spremnik ulja za lance.
	Otvori za ulje su začepljeni	Očistite otvor za podmazivanje u maču. Očistite žlijeb mača.

## 17. Jamstveni certifikat

### Poštovani kupci,

Naši proizvodi podliježu strogoj kontroli kvalitete. Ako unatoč tome ovaj uređaj ne funkcionira ispravno, vrlo nam je žao zbog toga i molimo vas da se obratite na adresu navedenu na ovoj jamstvenoj kartici. Rado ćemo vam pomoći i telefonski na dolje navedeni telefonski broj servisne službe. Za ostvarivanje jamstvenih zahtjeva vrijedi sljedeće:

- Ovi jamstveni uvjeti reguliraju dodatne jamstvene usluge. Ovo jamstvo ne umanjuje vaše zakonske jamstvene zahtjeve. Naše jamstvene usluge za vas su besplatne.
- Jamstvo obuhvaća isključivo nedostatke u materijalu ili proizvodnji i ograničene su na otklanjanje tih nedostataka ili na zamjenu uređaja. Imajte na umu da naši uređaji namjenski nisu konstruirani za gospodarsku, obrtničku ili industrijsku uporabu. Jamstveni ugovor stoga prestaje vrijediti ako se uređaj rabi u gospodarskim, obrtničkim ili industrijskim pogonima te za srodne postupke. Naše jamstvo nadalje ne obuhvaća kompenzacije za transportne štete, štete nastale nepoštivanjem priručnika za montažu ili neispravnom montažom, nepoštivanjem priručnika za uporabu (npr. priključivanjem na pogrešan napon ili na pogrešnu jakost struje), zlouporabom ili pogrešnom uporabom (npr. preopterećivanjem uređaja ili uporabom nedopuštenih montažnih alata ili pribora), nepoštivanjem propisa za održavanje i sigurnost, prodiranjem stranih tijela u uređaj (npr. pijeska, kamenja ili prašine), primjenom sile ili vanjskim utjecajima (npr. štete zbog pada s visine) te uobičajenim habanjem koje nastaje tijekom uporabe.

Jamstveni zahtjevi prestaju vrijediti ako se na uređaju poduzmu neodobreni zahvati.

- Jamstveno razdoblje traje 3 godine i započinje s datumom kupnje uređaja. Jamstvene zahtjeve valja uputiti najkasnije dva tjedna prije isteka jamstvenog razdoblja nakon otkrivanja nedostataka.
  - (1) U slučaju manjeg popravka jamstveni rok se produljuje onoliko koliko je kupac bio lišen uporabe stvari.
  - (2) Međutim, kad je zbog neispravnosti stvari izvršena njezina zamjena ili njezin bitni popravak, jamstveni rok počinje teći ponovno od zamjene, odnosno od vraćanja popravljene stvari.
  - (3) Ako je zamijenjen ili bitno popravljen samo neki dio stvari, jamstveni rok počinje teći ponovno samo za taj dio.
- Ostvarivanje jamstvenih zahtjeva nakon isteka jamstvenog razdoblja je isključeno.
- Radi ostvarivanja jamstvenog zahtjeva molimo obratite se na dolje navedenu adresu. Ako reklamaciju uputite unutar garancijskog razdoblja, poslat ćemo vam povratnicu s pomoću koje nam možete besplatno vratiti svoj neispravan uređaj. Što točnije opišite razlog reklamacije. Ako je nedostatak uređaja obuhvaćen našim jamstvom, odmah ćete dobiti natrag popravljen ili nov uređaj.

Naravno da ćemo nedostatke uređaja koji nisu obuhvaćeni jamstvom ili za koje je jamstvo isteklo rado otkloniti uz naknadu troškova. U tu svrhu pošaljite uređaj našem servisnoj službi.

### Usluga-Hotline (HR):

00800 4003 4003

(0,00 €/Min.)

### Usluga-Email (HR):

service.HR@schepach.com

### Usluga-Adresa (HR):

Microtec sistemi d.o.o

Ilirska 33

HR - 10000 Zagreb / Croatia



Na stranici [www.lidl-service.com](http://www.lidl-service.com) možete preuzeti ovaj i mnogo drugih priručnika, filmova o proizvodima i instalacijski softver.

S pomoću QR koda izravno prelazite na stranicu Lidl Service ([www.lidl-service.com](http://www.lidl-service.com)) i unošenjem broja artikla (IAN) 403506\_2204 možete otvoriti svoj priručnik za uporabu.



---

1.	Explicitarea simbolurilor de pe aparat .....	318
2.	Notă pentru utilizator.....	319
3.	Introducere .....	320
4.	Descrierea aparatului .....	320
5.	Pachetul de livrare.....	321
6.	Utilizarea conformă cu destinația .....	321
7.	Indicații de securitate .....	322
8.	Date tehnice .....	327
9.	Înainte de punerea în funcțiune.....	328
10.	Punerea în funcțiune.....	330
11.	Aplica ie.....	332
12.	Transportul.....	335
13.	Curățarea și întreținerea curentă.....	335
14.	Depozitare.....	339
15.	Eliminarea ca deșeu și revalorificarea.....	340
16.	Remediarea avariilor.....	341
17.	Certificatul de garanție .....	342
18.	Vedere explodată .....	398
19.	Declarația de conformitate.....	400

## 1. Explicitarea simbolurilor de pe aparat

	Citiți, înțelegeți și respectați toate indicațiile de avertizare.		Citiți întregul manual de utilizare înainte de utilizarea aparatului.
	Avertizare! Risc de recul (Kickback). Aveți grijă la reculul ferăstrăului cu lanț și evitați contactul cu vârful șinei.		Nu exploatați aparatul la ploaie sau la condiții de umiditate.
	Purtați ochelari de protecție. Purtați căști antifonice.		Purtați casca de protecție.
	Purtați întotdeauna mănuși de siguranță și anti-vibrații atunci când utilizați aparatul.		Purtați întotdeauna încălțăminte de siguranță antiderapantă cu protecție împotriva tăieturilor atunci când utilizați aparatul.
	Este important să purtați îmbrăcăminte de protecție pentru picioare, mâini și antebrațe.		Operați ferăstrăul cu lanț întotdeauna cu ambele mâini. Nu lucrați cu o mână cu ferăstrăul cu lanț.
	Atenție! Utilizarea ferăstrăului cu lanț în combinație cu tehnica de cățărare pe coardă. Înainte de a începe lucrul, familiarizați-vă cu toate instrucțiunile de lucru!		Focul deschis este interzis în zona de lucru!
	Orificiu de umplere pentru carburant. Amestec de ulei și carburant 1:40		Direcția de rotație
	Capacul rezervorului de ulei pentru lanț		Setarea frânei de lanț: Săgeată albă: Frână de lanț inactivă Săgeată neagră: Frână de lanț activă
	Manetă de pornire la rece (șoc)		Eliberați frâna de lanț
	Activați frâna de lanț		Direcția de montare a lanțului ferăstrăului
	Reglarea ungerii lanțului		Nivel de emisii de zgomot al aparatului garantat.



	<p>Atenție! Piese fierbinți.</p>	 <p>push primer 6 times</p> <p>Apăsați 6x pompa de carburant (Starter)</p>
<p><b>PERICOL</b></p>	<p>Cuvânt de semnalizare pentru a indica o situație periculoasă iminentă care, dacă nu este evitată, va avea ca rezultat decesul sau vătămarea gravă.</p>	
<p><b>AVERTIZARE</b></p>	<p>Cuvânt de semnalizare pentru a indica o situație potențial periculoasă care, dacă nu este evitată, ar putea avea ca rezultat decesul sau vătămarea gravă.</p>	
<p><b>PRECAUȚIE</b></p>	<p>Cuvânt de semnalizare pentru a indica o situație potențial periculoasă care, dacă nu este evitată, ar putea avea ca rezultat vătămări minore sau moderate.</p>	
<p><b>INDICAȚIE</b></p>	<p>Cuvânt de semnalizare pentru a indica o situație potențial periculoasă care, dacă nu este evitată, ar putea avea drept rezultat daune materiale la produs sau la proprietate/ posesie.</p>	

## 2. Notă pentru utilizator

### AVERTIZARE:

**Citiți cu atenție acest manual de exploatare înainte de prima punere în funcțiune și asigurați-vă că respectați instrucțiunile de siguranță! Acest ferăstrău pentru îngrijirea arborilor poate fi utilizat numai de „operatori de ferăstrău pentru îngrijirea arborilor cu pregătire suplimentară pentru lucrul în coșuri de ridicare sau scări respectiv pentru tehnica de cățărare pe coardă”!**

**Păstrați manualul de exploatare într-un loc sigur!**

### Indicație:

**Vă rugăm să rețineți că unele reglementări naționale pot restricționa utilizarea mașinii.**



Acest ferăstrău pentru îngrijirea arborilor este special conceput pentru îngrijirea și tăierea arborilor. Toate lucrările cu ferăstrăul pentru îngrijirea arborilor sunt special concepute pentru îngrijirea și tăierea arborilor. Toate lucrările cu acest ferăstrău pentru îngrijirea arborilor trebuie efectuate numai de către operatori calificați!

### 3. Introducere

#### PRODUCĂTOR:

**Scheppach GmbH**

Günzburger Straße 69

D-89335 Ichenhausen

#### STIMATE CLIENT,

Vă dorim să aveți multe satisfacții și mult succes în lucrul cu noul dumneavoastră aparat.

#### INDICAȚIE:

Conform legii privind garantarea produselor, producătorul acestui aparat nu răspunde pentru deteriorările apărute la acest aparat sau din cauza acestui aparat în caz de:

- manevrare improprie,
- nerespectare a instrucțiunilor de operare,
- reparații executate de terțe persoane, specialiști neautorizați,
- montare și schimbare a altor piese de schimb decât cele originale,
- utilizare neconformă cu destinația.

#### Acordați atenție:

Înainte de montajul și punerea în funcțiune citiți întregul text al manualul de utilizare.

Acest manual de utilizare are rolul de a vă facilita cunoașterea aparatului dumneavoastră și utilizarea posibilităților aplicative conforme cu destinația.

Manualul de utilizare conține indicații importante privind modul de lucru sigur, în conformitate cu prescripțiile și economic cu aparatul și cum să evitați pericolele, să economisiți costuri de reparație, să micșorați timpii de nefuncționare și să măriți fiabilitatea și durata de serviciu a aparatului.

Suplimentar față de dispozițiile de siguranță din acest manual de utilizare trebuie să respectați în mod obligatoriu prescripțiile în vigoare referitoare la exploatarea aparatului din țara dumneavoastră.

Păstrați manualul de utilizare într-o husă de plastic protejat de murdărie și umiditate, la aparat. Acestea trebuie citite de personalul de operare înainte de începerea lucrului și respectate riguros.

La aparat au voie să lucreze numai persoane care au fost instruite privitor la utilizarea aparatului și care cunosc pericolele legate de aceasta. Respectați vârsta minimă necesară.

În afară de indicațiile privind securitatea cuprinse în acest manual de utilizare și prevederile speciale ale țării dumneavoastră, trebuie respectate regulamentele tehnice general recunoscute pentru exploatarea mașinilor de acest tip constructiv.

Nu ne asumăm răspunderea pentru accidente sau pagube produse prin nerespectarea acestui manual și a indicațiilor de securitate.

### 4. Descrierea aparatului

1. Lanț ferăstrău
2. Șină de ghidare
3. Apărătoare frontală pentru mână
4. Pompa de carburant „Amorsă”
5. Pârghie de accelerare
6. Mâner posterior
7. Piedică manetă de alimentare
8. Tracțiune prin cablu pentru pornire
9. Scutul filtrului de aer
10. Dop de închidere pentru scutul filtrului de aer
11. Dop de închidere a rezervorului cu ulei de lanț
12. Mâner frontal
13. Dop de închidere a rezervorului de combustibil
14. Manetă de pornire la rece (șoc)
15. Comutator de pornire/oprire
16. Piulițe de fixare
17. Capac al roții de lanț
18. Amortizor zgomot
19. Dispozitiv de suspendare
20. Cheie de bujii / șurubelniță dreaptă
21. Apărătoarea șinei de ghidare
22. Recipient de amestec
23. Șurub de întindere a lanțului
24. Opritor cu gheară
25. Dispozitiv de prindere a lanțului
26. Știft de întindere a lanțului
27. Roată de lanț
28. Canelură de ghidare
29. Bolț de fixare
30. Roată dințată
31. Orificiu de lubrifiere
32. Șurub de reglare a uleiului
33. Filtrul de aer
34. Bujie
35. Fișa bujiilor
36. Cap de aspirație

## 5. Pachetul de livrare

- Ferăstrău pentru îngrijirea arborilor
- Lanț ferăstrău
- Șină de ghidare
- Apărătoarea șinei de ghidare
- Cheie de bujii / șurubelniță dreaptă
- Recipient de amestec

## 6. Utilizarea conformă cu destinația

Acest aparat este un ferăstrău pentru îngrijirea arborilor deosebit de ușor și la îndemână, cu un mâner suspendat. Ferăstrăul pentru îngrijirea arborilor a fost special conceput pentru tăierea și îngrijirea arborilor. Prin urmare, aceste ferăstraie pentru îngrijirea arborilor pot fi utilizate numai de „operatori de ferăstrău pentru îngrijirea arborilor cu pregătire suplimentară pentru lucrul în coșuri de ridicare sau scări respectiv pentru tehnica de cățărare pe coardă”.

Pentru exploatarea ocazională în cazul lemnului subtire, îngrijirea pomilor fructiferi, debransarea, scurtarea.

Pregătirea lemnului de foc poate fi efectuată numai dacă diametrul lemnului nu depășește lungimea de tăiere (20 cm).

Pentru această lucrare vă recomandăm un motoferăstrău convențional cu o distanță mare între mănere sau o lungime de tăiere mare.

Cine nu are permisiunea de a folosi aparatul:

Persoanele care nu sunt familiarizate cu manualul de utilizare, copiii cu vârsta sub 16 ani precum și persoanele care se află sub influența alcoolului, a drogurilor, a medicamentelor, sunt oboșite sau bolnave.

Aparatul este destinat exclusiv tăierii lemnului. Producătorul nu este răspunzător pentru daunele cauzate de utilizarea necorespunzătoare sau de operare incorectă.

Aparatul se va utiliza numai conform destinației. Orice altă utilizare în afară de aceasta nu este conformă cu utilizarea prevăzută. Pentru pagubele materiale și vătămările de orice fel rezultate pe cale de consecință răspunde utilizatorul/operatorul și nu producătorul.

Din utilizarea conformă cu destinația face parte și respectarea indicațiilor de securitate, precum și a manualului de montaj și a indicațiilor de operare din manualul de utilizare.

Persoanele care operează și întrețin aparatul trebuie să fie familiarizate cu acesta și informate cu privire la posibilele pericole.

Suplimentar trebuie respectate strict prescripțiile de prevenire a accidentelor în vigoare.

Țineți cont de celelalte regulamente generale din domeniul de medicină a muncii și tehnica securității. Modificările aduse aparatului exclud complet orice responsabilitate din partea producătorului și orice daune rezultate.

Vă rugăm să aveți în vedere că aparatele noastre nu au fost construite având ca destinație utilizarea profesională sau industrială. Nu preluăm garanția dacă aparatul este utilizat în regim profesional sau industrial, precum și la activități la fel de solicitante.

### PERICOL

Conform legii privind garantarea produselor, producătorul acestui aparat nu răspunde pentru deteriorările apărute la acest aparat sau din cauza acestui aparat în caz de:

- montare și schimbare a altor piese de schimb decât cele originale,
- Îndepărtarea sau modificarea componentelor de siguranță.

#### 6.1 Utilizare neconformă cu scopul prevăzut

- Acest aparat nu este potrivit pentru lucrări de tăiere.
- Nu folosiți șina de ghidare ca pârghie pentru a deplasa trunchiuri de copaci sau altele asemenea.
- Nu este permisă tăierea lemnului cu un diametru mai mare de 20 cm.

## 7. Indicații de securitate

### 7.1 Indicații generale

#### AVERTIZARE

Ridicați în permanență nivelul de atenție, concentrați-vă la fiecare operațiune efectuată și procedați în mod rațional atunci când începeți lucrul cu aparatul. Nu folosiți aparatul dacă sunteți bolnav sau obosit sau vă aflați sub influența drogurilor, alcoolului sau a medicației. Un moment de neatenție în folosirea aparatului poate duce la accidente serioase. Evitați modalitățile de utilizare eronate, utilizați mașina numai așa cum este descris la „Utilizarea conformă cu destinația”.

Manualul de utilizare conține indicații importante despre cum să lucrați în condiții de siguranță și profesionalism cu ferăstrăul cu lanț și cum să evitați pericolle.

Dacă se produce în continuare un blocaj între materialul de tăiere și lanțul ferăstrăului, opriți-l imediat. Așteptați până când lanțul ferăstrăului se oprește. Scoateți fișa bujiilor și puneți-vă mănuși rezistente la tăieturi pentru a îndepărta blocajul. În cazul în care șina de ghidare (lamă) trebuie să fie îndepărtată, urmați instrucțiunile descrise în capitolul „Montaj”. După îndepărtarea blocajului și reasamblarea, trebuie efectuată o probă de funcționare.

Dacă în timpul acestui proces sunt detectate vibrații sau zgomote mecanice, opriți lucrul și contactați un centru de service autorizat. În cazul în care acest pericol apare mai des, vă recomandăm o nouă instruire.

- Înainte de punerea în funcțiune citiți manualul de exploatare al aparatului dumneavoastră și respectați în special indicațiile de securitate.
- Plăcuțele de avertizare și indicatoare aplicate la aparat oferă indicații importante pentru funcționarea în afara oricăror pericolle.
- Pe lângă indicațiile din manualul de exploatare trebuie să fie luate în considerare prevederile de securitate și de prevenire a accidentelor ale legiuitorului.
- Țineți la distanță foliile de ambalare de copii, există pericol de sufocare!
- Operatorii informați insuficient pot fi periclitați și pot periclita alte persoane prin utilizarea necorespunzătoare. Operatorul poartă răspunderea față de persoane terțe.

- Verificați funcționarea pârghiei de accelerare înainte de a începe lucrul. Acesta trebuie să revină automat în poziția de mers în gol după eliberare.
- Nu lucrați mai mult de 10 minute la o bucată. Se recomandă, să faceți o pauză de 10 - 20 minute între treptele de lucru.
- Împrumutați aparatul numai utilizatorilor, care au experiență cu aparatul. Manualul de exploatare trebuie să fie totodată predat.
- Unele activități de tăiere necesită o școlarizare specială și abilități speciale. Dacă aveți incertitudini, adresați-vă unui specialist.
- Primii utilizatori trebuie să fie instruiți, pentru a se familiariza cu proprietățile aparatului. Pentru siguranța dumneavoastră urmați un curs privind ferăstraiele cu motor.
- Aparatul trebuie să fie depus în caz de neutilizare, astfel încât să nu fie nimeni periclitat. Asigurați împotriva accesului neautorizat.
- Operatorul aparatului poartă răspunderea tuturor accidentelor și pericolilor, care periclitează alte persoane sau proprietatea acestora.
- Copiii, tinerii și persoanele cu abilități fizice, senzoriale sau mentale reduse nu au voie să utilizeze ferăstrăul cu lanț. Excepțiile se fac doar pentru tinerii de peste 16 ani în cadrul instruirii sub supravegherea unui specialist.
- Instalația electrică de aprindere a aparatului generează un câmp electromagnetic redus. Dacă purtați un stimulator cardiac sau aveți implanturi asemănătoare, consultați un medic înainte de utilizarea aparatului, pentru a evita riscuri asupra sănătății.
- Aveți în vedere, că la întreținerea curentă neconformă prescripțiilor, la utilizarea pieselor de schimb neconforme sau îndepărtarea sau modificarea dispozitivelor de siguranță se poate ajunge la deteriorări ale aparatului și la vătămări grave ale persoanelor care lucrează cu acesta.

### 7.2 Echipamentul personal de protecție (EPP)

#### PERICOL

Purtați întotdeauna echipament individual de protecție (EIP), cum ar fi protecția ochilor (vizieră sau ochelari de protecție), protecția capului, a mâinilor, a picioarelor și a picioarelor adecvată pentru câțăratul în copaci!

- Purtați o cască de protecție cu apărătoare pentru față, resp. ochelari de protecție și căști antifonice.

- Purtați îmbrăcăminte de protecție strânsă pe corp cu inserție de protecție contra tăieturilor.
- Purtați încălțăminte de siguranță aderentă.
- Purtați mănușile de protecție.
- Evitați îmbrăcăminte largă, care se poate prinde.
- Nu purtați fulare, cravate și bijuterii!
- Dacă aveți părul lung utilizați o plasă pentru păr!
- Purtați o cască de protecție la toate lucrările din pădure. Aceasta oferă protecție împotriva ramurilor care cad. Verificați regulat casca de protecție referitor la deteriorări. Acesta trebuie înlocuit după cel mult 5 ani. Utilizați numai căști de protecție verificate.
- Apărătoarea pentru față, resp. ochelarii de protecție opresc așchiile de tăiere cu ferăstrăul și așchiile de lemn. Pentru a evita vătămările ochilor, se va purta în permanență la lucrările cu aparatul o apărătoare pentru față, resp. ochelari de protecție.
- Purtați întotdeauna căștile antifonice. Zgomotul produs de aparat poate duce la vătămări ale auzului.
- Purtați mănuși de protecție robuste din material rezistent, ca de ex. piele.
- Purtați la tăierea lemnului uscat o masca de protecție împotriva prafului. Se poate ajunge la formarea prafului de tăiere cu ferăstrăul.
- Atunci când lucrează în copac, utilizatorul poate cădea. Utilizatorul poate fi grav rănit sau ucis. Purtați echipament de protecție împotriva căderilor.

### 7.3 Depozitarea și transportul

- Deconectați ferăstrăul cu lanț înainte de fiecare transport, chiar și la tronsoane scurte. Conectați frâna de lanț și aplicați apărătoarea de lanț.
- Utilizați apărătoarea de lanț la transport și depozitare.
- Asigurați mașina pe parcursul transportului (și în autovehicule) împotriva răsturnării, pentru a evita consumul de carburant, deteriorări sau vătămări.
- Transportați aparatul numai la mânerul frontal. Șina de ghidare este îndreptată spre spate, departe de corp.
- Țineți amortizorul de zgomot fierbinte departe de corp. Există pericol de provocare a arsurilor!
- Curățați și întrețineți curent ferăstrăul cu lanț înainte de depozitare.
- Depozitați aparatul într-un loc sigur și uscat. Asigurați-l împotriva accesului neautorizat.

### 7.4 Siguranța mediului

- Reglementările naționale și / sau comunale pot restrânge în timp utilizarea aparatelor antrenate de motor, care generează zgomot. Documentați-vă despre acestea la administrația comunală.
- Aparatul nu trebuie să fie exploatat în spații interioare sau alte domenii aerisite nesatisfăcătoare. Există pericol de asfixiere cauzat de gazele evacuate toxice/vaporii uleiului de lubrifiere.
- Executați lucrările numai pe durata zilei.
- Nu lucrați nici în condiții climatice defavorabile, ca de ex. ploaie sau vânt. Există un risc crescut de accidente în acest caz.
- Păstrați ordinea și curățenia în zona de lucru.
- Țineți la distanță copiii, alte persoane și animale înainte și pe parcursul lucrului. În cazul devierii puteți pierde controlul aparatului.
- Înainte de începerea lucrului încredințați-vă că nu se află persoane, animale sau bunuri materiale în zona de pericol.
- Nu lucrați în apropierea gardurilor de sârmă sau în zone cu sârmă veche desfăcută.
- Pregătiți mijloace extinctoare, dacă lucrați într-un mediu ușor inflamabil, ca de ex. la iarbă uscată etc. Există pericol de incendiu!

### 7.5 Umpleți cu carburant

- Benzina este foarte ușor inflamabilă. La alimentarea cu carburant mențineți distanța față de focul deschis și nu fumați. Există pericol de incendiu!
- Aveți în vedere, să nu se verse benzină. Benzina sau uleiul pentru lanț nu trebuie să ajungă în sol. Apelați la ajutorul documentațiilor adecvate.
- Alimentați cu carburant numai în zone bine aerisite. Vaporii de benzină se pot aprinde ușor sau pot exploda.
- Deconectați motorul înainte de alimentarea cu carburant și lăsați aparatul să se răcească. Dacă a fost vărsată benzină, curățați imediat locurile respective. Nu lăsați să ajungă carburant pe îmbrăcăminte dumneavoastră, în caz contrar, schimbați-o imediat.
- Evitați și contactul cu pielea și ochii cu benzină sau lubrifianții (ulei).
- Nu inhalați vaporii de benzină/vaporii uleiului de lubrifiere.
- Aveți în vedere neatenșeitățile. Dacă se scurge benzină, nu porniți motorul. Există pericol cauzat de arsuri.

- Deschideți cu foarte mare atenție bușonul rezervorului, pentru a elimina ușor suprapresiunea și a evita stropirea cu benzină.

## 7.6 Înainte de punerea în funcțiune

### AVERTIZARE

Executați verificările întotdeauna înainte de punerea în funcțiune și când este deconectat motorul.

Verificați aparatul înainte de fiecare utilizare și după ce a căzut la sol cu privire la starea sigură de funcționare.

Verificați dacă toate piesele mobile funcționează ireproșabil. Multe accidente își au cauza în întreținerea insuficientă a uneltelor. Încredințați reparația pieselor deteriorate personalului de specialitate calificat. Utilizați ferăstrăul cu lanț și accesoriul numai corespunzător acestor instrucțiuni. Totodată luați în considerare condițiile de lucru și activitatea de executat. Utilizarea de unelte cu motor pentru alte aplicații decât cele prevăzute poate să ducă la situații periculoase.

- Verificați în mod regulat buna funcționare a frânei de lanț (apărătoarea frontală pentru mână, a se vedea fig. 2).
- Verificați șina de ghidare, dacă este montată corect.
- Verificați lanțul ferăstrăului, dacă este tensionat corect. Urmați indicațiile referitoare la lubrifiere, tensionarea lanțului și schimbarea accesoriilor. Un lanț tensionat sau lubrifiat în mod necorespunzător poate fi să se rupă sau să crească riscul unui recul.
- Mențineți sculele de tăiere ascuțite și curate. Ascuțiți regulat și schimbați piesele uzate la timp. Sculele de tăiere îngrijite cu atenție și având muchii de tăiere ascuțite se înțepenesc mai puțin și sunt ușor de dirijat.
- Verificați pârghia de accelerare și piedica pârghiei de accelerare cu privire la funcționarea mecanică ușoară. Pârghia de accelerare trebuie să revină în poziția inițială.
- Verificați dacă se află suficient carburant și ulei de lubrifiere a lanțului în rezervor.
- Verificați dacă mânerul este curat, uscat și fără urme de ulei și murdărie.
- Nu executați lucrările niciodată singur. În caz de urgență trebuie să fie cineva în apropiere.

- Utilizați ferăstrăul cu lanț, numai dacă vă găsiți pe un sol sigur, stabil și plan. Evitați o poziție anormală a corpului. Un substrat alunecos sau instabil (de ex. o scară) poate să ducă la pierderea echilibrului și la pierderea controlului asupra ferăstrăului cu lanț. Asigurați-vă o poziție stabilă și mențineți în permanență echilibrul. Astfel puteți controla mai bine ferăstrăul cu lanț în situații neașteptate.
- Nu lucrați cu ferăstrăul cu lanț urcat pe un copac. În cazul utilizării pe un copac există pericol de vătămări și nu trebuie să fie utilizată.
- Nu efectuați operațiuni de tăiere deasupra înălțimii umărului.
- Țineți întotdeauna ferăstrăul cu lanț cu mâna dreaptă pe mânerul din spate și cu mâna stângă pe mânerul din față. Menținerea ferăstrăului cu lanț în poziție de lucru inversă crește riscul de vătămări și nu trebuie să fie utilizată.
- Mențineți toate părțile corpului la distanță de lanțul ferăstrăului, atunci când ferăstrăul cu lanț este în funcțiune. Asigurați-vă înainte de a porni ferăstrăul cu lanț, de faptul că lanțul ferăstrăului nu atinge nimic. Pe parcursul lucrărilor efectuate cu ferăstrăul cu lanț este posibil ca un moment de neatenție să ducă la prinderea vestimentației sau părților corpului de către lanțul ferăstrăului.
- Deconectați imediat ferăstrăul cu lanț, dacă stabiliți modificări sesizabile la comportamentul aparatului.
- Dacă ferăstrăul cu lanț ajunge în contact cu pietre, cuie sau alte obiecte dure, opriți imediat motorul și verificați lanțul ferăstrăului și șina de ghidare cu privire la deteriorări.
- Nu lăsați să cadă ferăstrăul cu lanț, nu-l loviți de obstacole și nu utilizați niciodată șina de ghidare ca pârghie.
- Tăiați cu ferăstrăul cu lanț numai în lemn.
- Luați în calcul faptul că, la tăierea unei crengi aflate sub tensiune, aceasta va avea o mișcare de recul. Dacă este eliberată tensiunea din fibrele lemnoase, este posibil ca creanga detensionată să lovească personalul de operare și/sau să vă scoată ferăstrăul cu lanț de sub control.
- Dovediți o atenție deosebită la tăierea de subarbor sau copaci tineri. Materialul subțire se poate prinde în ferăstrăul cu motor și să fie proiectat în dvs. sau să vă dezechilibreze.

## 7.7 Vibrații

### **AVERTIZARE**

Evitați riscurile de oscilații, de ex. riscul bolii degetelor albe (tulburări circulatorii) din cauza pauzelor de lucru frecvente, de ex. prin frecarea suprafețelor mâinilor.

- Purtați întotdeauna mănușile de protecție și acordați atenție mâinilor calde.
- Aveți în vedere, ca lanțul să fie întotdeauna ascuțit.
- Inserați pauze de lucru regulate.

## 7.8 Măsuri de precauție împotriva reculului

### **AVERTIZARE**

Aveți în vedere reculul aparatului în timpul lucrului. Există pericol de vătămare. Evitați reculul prin precauție și tehnica corectă de tăiere.

- În unele cazuri, contactul cu vârful șinei poate provoca o reacție neașteptată în spate, șina de ghidare fiind lovită în sus și îndreptată spre operator.
- Reculul poate apărea, atunci când vârful șinei de ghidare atinge un obiect sau dacă lemnul se îndoaie, iar lanțul ferăstrăului se blochează în fanta tăiată.
- Înțepenirea lanțului ferăstrăului pe marginea superioară a șinei de ghidare poate împinge rapid ferăstrăul cu lanț înapoi în direcția de funcționare într-un mod necontrolat.
- Înțepenirea lanțului ferăstrăului pe marginea inferioară a șinei de ghidare poate îndepărta rapid ferăstrăul cu lanț de la direcția de funcționare într-un mod necontrolat.
- Aveți extrem de mare atenție, dacă utilizați lanțul ferăstrăului cu lanț pentru tăierea în continuare într-o tăietură începută deja.
- Nu tăiați ramuri sau bucăți de lemn, care își pot modifica poziția pe parcursul procesului de tăiere sau la care se încheie tăietura în timpul procesului de tăiere.
- Oricare dintre aceste reacții poate duce la pierderea controlului asupra ferăstrăului, ceea ce vă poate cauza niște vătămări grave. Nu vă bazați în exclusivitate pe dispozitivele de securitate montate pe ferăstrăul cu lanț. Ca și utilizator al unui ferăstrău cu lanț luați diferite măsuri, pentru a lucra fără pericol de accidentare și vătămare.

Un recul reprezintă urmarea unei utilizări greșite sau eronate. Acesta poate fi prevenit prin măsurile de precauție adecvate, conform descrierii următoare:

- Mențineți ferăstrăul fix cu ambele mâini, situație în care cuprindeți mânerul ferăstrăului cu lanț atât cu degetul mare, cât și cu celelalte degete. Aduceți corpul dvs și mâinile într-o poziție în care să puteți menține controlul în cazul apariției unui recul. Dacă sunt luate măsurile corespunzătoare, operatorul poate să controleze forțele de recul. Nu dați niciodată drumul la ferăstrăul cu lanț.
- Evitați pozițiile anormale ale corpului și nu tăiați deasupra înălțimii umărului. Astfel este evitată o atingere accidentală a vârfului șinei și este menținut un control mai bun asupra ferăstrăului cu lanț în situații neașteptate.
- Utilizați întotdeauna șinele de rezervă și lanțurile de ferăstrău prescrise de către producător. Utilizarea unor șine de schimb și lanțuri de ferăstrău greșite poate duce la ruperea lanțului ferăstrăului și/sau recul.
- Respectați indicațiile producătorului referitoare la ascuțirea și întreținerea curentă a lanțului ferăstrăului. Limitatoarele de profunzime reglate prea jos cresc tendința de recul.
- Nu tăiați cu vârful lamei. Există pericol de recul. (Fig. 7)
- Încredințați-vă că nu se află cuie sau bucăți de metal în zona de tăiere. Aveți în vedere în special cuiele sau bucățile de fier din mediul înconjurător al zonei de tăiere. Aveți atenție la tăierea lemnelor de foioase, la care se poate agăța lanțul. Astfel se poate ajunge la recul.
- Începeți tăietura cu forță totală și mențineți ferăstrăul cu lanț pe parcursul tăierii întotdeauna la viteza maximă.
- Asigurați-vă că nu se află obiecte la sol, de care vă puteți împiedica.

## 7.9 Comportament și tehnică de lucru

- Lucrați numai în condiții bune de vizibilitate și lumină. Acordați o atenție deosebită condițiilor alunecoase, umezeli, gheții și zăpezii (pericol de alunecare). Există un risc crescut de alunecare pe lemnul proaspăt decojit (scoarță).
- Nu lucrați niciodată pe suprafețe instabile. Atenție la obstacolele din zona de lucru, pericol de împiedicare. Trebuie să se acorde atenție continuă în privința poziției sigure.

- Nu tăiați niciodată peste înălțimea umărului.
- Nu tăiați niciodată stând pe scară.
- Nu vă urcați niciodată în copac cu un ferăstrău cu lanț și nu efectuați lucrări fără sisteme de reținere adecvate pentru om și mașină. Vă recomandăm întotdeauna să efectuați lucrările de pe o platformă de lucru.
- Nu lucrați prea aplecat în față.
- Ghidați ferăstrăul cu lanț astfel încât nici o parte a corpului să nu se afle în domeniul de rabatare extinsă a lanțului ferăstrăului.
- Tăiați lemnul doar cu ferăstrăul cu lanț.
- Nu atingeți solul cu lanțul ferăstrăului în funcțiune.
- Curățați zona tăieturii de corpuri străine, cum ar fi nisip, pietre, cuie etc. Corpurile străine deteriorează dispozitivul de tăiere cu ferăstrăul și pot duce la recul (Kickback) periculos, precum și la aruncarea acestuia.
- Atunci când tăiați lemnul, folosiți un suport de așezare sigur (dacă este posibil, o capră de tăiat). Lemnul nu trebuie să fie ținut cu piciorul sau de o altă persoană.
- Lemnul rotund trebuie să fie asigurat împotriva răsucirii în timpul tăierii.
- Nu lucrați niciodată fără un opritor cu gheară, ferăstrăul cu lanț poate trage operatorul înainte. Folosiți opritorul cu gheară pentru tăierea trunchiurilor de copaci sau a crengilor groase. Utilizarea opritorului cu gheară sporește siguranța lucrului, reduce solicitarea personală în timpul lucrului, iar vibrațiile sunt reduse.
- Pentru tăieri și tăieri transversale, rigla dințată (opritor cu gheară) trebuie să fie așezată pe lemnul care urmează să fie tăiat. Exploatarea riglei dințate este, de asemenea, recomandată pentru a tăia crengi groase.
- Înainte de fiecare tăiere transversală, fixați ferm rigla dințată și abia apoi tăiați în lemn cu lanțul ferăstrăului în funcțiune. Ferăstrăul este tras în sus de mânerul din spate și ghidat de mânerul-cadru din față. Rigla dințată servește drept ca punct de pivotare. Repoziționarea se face cu o ușoară presiune pe mânerul-cadru. Trageți ferăstrăul cu lanț înapoi puțin câte puțin. Coborâți rigla dințată și trageți din nou în sus mânerul din spate.
- Aveți grijă când tăiați lemnul cu așchii. Bucățile de lemn tăiate pot fi angrenate în mișcare (Pericol de vătămare).

- În timpul tăierii cu partea superioară a șinei, ferăstrăul cu lanț poate ricoșa spre operator, dacă lanțul ferăstrăului se blochează. Prin urmare, dacă este posibil, tăiați cu partea inferioară a șinei, deoarece ferăstrăul cu lanț este tras dinspre corp spre lemn.
- Lemnul tensionat trebuie să fie tăiat întotdeauna mai întâi pe partea de presiune. Abia apoi se poate realiza tăietura de separare pe partea de tracțiune. Acest lucru împiedică blocarea șinei.
- Atunci când lucrați în copac, motoferăstrăul poate cădea. Oamenii pot fi grav răniți și se pot produce pagube materiale. Fixați motoferăstrăul cu ajutorul dispozitivului de suspendare.
- Înainte ca lanțul ferăstrăului să fie ghidat în zona de tăiere, motoferăstrăul poate aluneca în lateral sau sări.

## ATENȚIE

### Risc înalt de recul!

Pentru a menține controlul deplin în momentul „tăierii”, reduceți presiunea de contact spre sfârșitul tăieturii, fără a slăbi strângerea fermă a mânelor ferăstrăului cu lanț. Asigurați-vă că lanțul ferăstrăului nu atinge solul. După ce ați terminat tăietura, așteptați ca lanțul ferăstrăului să se oprească înainte de a îndepărta ferăstrăul cu lanț. Opriti întotdeauna motorul ferăstrăului cu lanț înainte de a vă deplasa de la un copac la altul.

## AVERTIZARE

În timpul lucrărilor mai lungi, pot apărea tulburări ale circulației la mâinile operatorului (sindromul degetelor albe) din cauza vibrațiilor.

Sindromul degetelor albe este o afecțiune vasculară, în cazul căreia vasele mici de sânge produc crampe subite la degetele de la mâini și de la picioare. Zonele afectate nu mai sunt aprovizionate suficient cu sânge și arată astfel extrem de palide. Utilizarea frecventă de aparate vibratoare poate declanșa deteriorări ale nervilor la persoane, la care este afectată circulația sanguină (de ex., fumători, diabetici). Dacă observați afectări neobișnuite, încetați imediat lucrul și consultați un medic.



Respectați următoarele indicații, pentru a reduce pericolele:

- Păstrați-vă corpul și în special mâinile calde în timpul vremii reci.
- Faceți regulat pauze și mișcați-vă mâinile în timpul acestora pentru a stimula circulația.
- Asigurați o vibrație cât mai redusă posibil a mașinii prin întreținere regulată și piese fixe pe aparat.

## 7.10 Riscuri reziduale

### PERICOL

#### PERICOL DE VĂTĂMARE !

Contactul cu lanțul ferăstrăului poate provoca vătămări mortale prin tăiere.

Nu introduceți niciodată mâinile în lanțul ferăstrăului în funcțiune.

#### PERICOL DE REcul !

Recul poate duce la vătămări mortale prin tăiere.

#### PERICOL DE PROVOCARE A ARSURILOR !

Lanțul și șina de ghidare se încălzesc în funcțiune.

**Aparatul este construit în conformitate cu tehnologia de ultimă oră și cu normele de siguranță recunoscute. Cu toate acestea, în timpul lucrului pot apărea riscuri reziduale.**

În plus, există riscuri reziduale care nu sunt evidente, chiar dacă se întreprind toate măsurile preventive. Riscurile reziduale pot fi minimizate dacă „Indicațiile de securitate” și „Utilizarea conformă cu destinația”, precum și instrucțiunile de operare sunt respectate în totalitate.

## 8. Date tehnice

Mașină fără lamă

Lungime x lățime x înălțime..... 270 x 230 x 240 mm

Masa în stare nealimentată, fără garnitură

de tăiere aprox ..... 3,4 kg

Masa în stare nealimentată, cu garnitură

de tăiere aprox ..... 3,8 kg

Rezervor pentru uleiul de lubrifiere a lanțului ..0,16 l

Rezervor de combustibil Conținut ..... 0,23 l

Amestec de ulei și carburant ..... 1:40

Lungime de tăiere ..... 20 cm

Lungimea lamei..... 30 cm

Ungere automată a lanțului .....	Da
Diviziunea lanțului.....	3/8" (9,525 mm)
Grosimea legăturii în lanț .....	1,27 mm
Tip de lanț .....	3/8LP-40
Număr de dinți pinion de acționare .....	6
Pinion de acționare cu pas de dinte .....	3/8"
Tip de lamă .....	AP10-40-509P
Viteza maximă a lanțului .....	21 m/s
Motorul .....	1 cilindru, 2 timpi, răcit cu aer
Capacitatea motorului.....	25,4 cm <sup>3</sup>
Puterea motorului max. conform ISO 7293 ..	0,7 kW
Turația de mers în gol n <sub>0</sub> .....	3300 ± 300 min <sup>-1</sup>
Viteza maximă cu set de tăiere .....	11000 min <sup>-1</sup>
Bujie .....	L8RTC

**Nivelul presiunii acustice trebuie să fie redus, în funcție de utilizare și de activitățile care urmează să fie efectuate, astfel încât să nu afecteze sănătatea operatorului. Nivelul presiunii acustice la locul de muncă poate depăși 80 dB. În acest caz, sunt necesare măsuri de protecție împotriva zgomotului pentru operator (de exemplu, purtarea unei căști antifonice).**

**Limitați la minim dezvoltarea intensă de zgomote și vibrații!**

- Utilizați numai aparate ireproșabile.
- Întrețineți și curățați regulat aparatul.
- Adaptați modul dumneavoastră de lucru cu aparatul.
- Nu suprasolicitați aparatul.
- Dacă este cazul, permiteți verificarea aparatului.
- Deconectați aparatul când nu este folosit.
- Purtați mănuși de protecție.

Nivelul presiunii acustice L măsurat<sub>PA</sub>..... 99,2 dB

Incertitudinea K<sub>PA</sub>..... 3 dB

Nivelul puterii acustice garantat L<sub>WA</sub>..... 113 dB

Nivelul puterii acustice L măsurat<sub>WA</sub>..... 108,7 dB

Incertitudinea K<sub>WA</sub>..... 3 dB

Vibrații, mâner frontal ..... 8,98 m/s<sup>2</sup>

Vibrații, Mâner posterior ..... 8,03 m/s<sup>2</sup>

Factor de insecuritate ..... 1,5 m/s<sup>2</sup>

#### Purtați căști antiacustice.

Influența zgomotului poate provoca pierderea auzului.

Valorile emisiilor sonore indicate au fost măsurate în conformitate cu un procedeu de verificare standardizat și pot fi utilizate pentru a compara un aparat cu altul.

Valorile indicate ale emisiilor de zgomot pot fi utilizate de asemenea și pentru o estimare a solicitării.

#### **Avertizare:**

- Emisiile sonore în timpul utilizării reale a aparatului pot fi diferite de valorile indicate, în funcție de modul în care este utilizat aparatul, în special de tipul de piesă de lucru.
- Încercați să mențineți solicitarea cât mai redusă posibil. Măsuri exemplificative: pentru limitarea timpului de lucru. Trebuie luate în considerare toate părțile ciclului de funcționare (de exemplu, momentele în care aparatul este oprit și momentele în care este pornit, dar funcționează fără solicitare).

## **9. Înainte de punerea în funcțiune**

1. Deschideți ambalajul și scoateți cu precauție aparatul.
2. Înlăturați materialul de ambalat, precum și siguranțele de ambalare și de transport (dacă există).
3. Verificați dacă pachetul de livrare este complet.
4. Verificați dacă aparatul și accesoriile prezintă deteriorări de la transport.
5. Dacă este posibil, păstrați ambalajul până la expirarea perioadei de garanție.
6. Îndepărtați ghidul de referință rapidă de pe tracțiunea prin cablu pentru pornire (8).

#### **ATENȚIE**

Aparatul și materialele de ambalat nu sunt jucării pentru copii! Copiii nu au voie să se joace cu sacii din plastic, foliile și piesele mici! Există pericol de înghițire și sufocare!

### **9.1 Montarea șinei de ghidare (2) și a lanțului ferăstrăului (1)**

#### **⚠ AVERTIZARE**

#### **Pericol de vătămare!**

Purtați întotdeauna mănuși de protecție atunci când atingeți lanțul ferăstrăului (1). Pericol de vătămare din cauza dinților de tăiere ascuțiți!

Utilizați numai combinații aprobate de lanțul ferăstrăului (1) și șina de ghidare (2) (a se vedea capitolul „Seturi de tăiere aprobate”).

Efectuați montarea întotdeauna cu motorul oprit.

#### **Indicație**

Un lanț de ferăstrău nou (1) se alungește și trebuie să fie retensionat mai des. Verificați și reglați în mod regulat tensionarea corespunzătoare a lanțului.

În funcție de uzură, șina de ghidare (2) poate fi înțoarsă.

1. Așezați ferăstrăul cu lanț pe un substrat plan și stabil.
2. Trageți apăraoarea frontală pentru mână (3) înapoi până la opritor, pentru a elibera frâna de lanț. (Fig. 2)
3. Îndepărtați cele două piulițe de fixare (16) cu ajutorul cheii de bujii (20).
4. Detașați capacul roții de lanț (17).
5. Rotiți șurubul de întindere a lanțului (23) spre stânga (în sens invers acelor de ceasornic), până când știftul de întindere a lanțului (26) se află în dreptul opritorului din partea dreaptă (Fig. 3). Pentru aceasta, utilizați șurubelnița cu fantă (20).
6. Glisați gaura cu fantă a șinei de ghidare (2) peste cele două bolțuri de fixare proeminente (29).
7. Așezați lanțul ferăstrăului (1) peste dinții roții de lanț (27). Introduceți lanțul ferăstrăului (1) exact în direcția indicată pe șina de ghidare (2). În vârful șinei de ghidare (2) se află o roată dințată (30) în dinții căreia trebuie introdus lanțul ferăstrăului (1). (Fig. 6 și 18)
8. Trageți ușor de șina de ghidare (2) pentru a pre-tensiona ușor lanțul ferăstrăului (1).
9. Așezați din nou capacul roții de lanț (17). Asigurați-vă că știftul intern de întindere a lanțului (26) se potrivește în orificiul corespunzător din șina de ghidare (2). Dacă este necesar, corectați șurubul de întindere a lanțului (23) cu ajutorul șurubelniței cu fantă (20).
10. Înșurubați manual cele două piulițe de fixare (16). Aveți în vedere, să nu le strângeți ferm încă. Piulițele de fixare (16) sunt strânse numai după ce se tensionează lanțul ferăstrăului (1).

## 9.2 Întinderea și verificarea lanțului ferăstrăului (1).

### **AVERTIZARE**

Purtați mănuși de protecție! Pericol de vătămare din cauza dinților de tăiere ascuțiți!

Verificați tensionarea lanțurilor regulat înainte de fiecare punere în funcțiune.

Efectuați întotdeauna verificările înainte de pornire și cu motorul oprit.

1. Înainte de tensionare, slăbiți ușor cele două piulițe de fixare (16) cu cheia de bujii (20).
2. Rotiți șurubul de întindere a lanțului (23) cu șurubelnița dreaptă (20) în sens orar, pentru a crește tensionarea.
3. Strângeți ferm cele două piulițe de fixare (16) cu cheia de bujii (20).
4. Lanțul ferăstrăului (1) trebuie să se așeze la partea inferioară a lamei. Verificați dacă lanțul ferăstrăului (1) (la frâna de lanț desfăcută, trageți apărătoarea frontală pentru mână (3) spre înapoi) se poate trage cu mâna peste șina de ghidare (2).

### **INDICAȚIE**

Un lanț de ferăstrău nou (1) se alungește și trebuie să fie retensionat mai des.

## 9.3 Amestecarea carburantului

Motorul trebuie să fie exploatat cu un amestec de carburant din benzină și ulei de motor.

### **AVERTIZARE**

Evitați contactul direct al pielii cu carburantul și inhalarea vaporilor de carburant.

Utilizați numai un amestec din benzină fără plumb (min. ROZ 95) și ulei special de motor în 2 timpi (JASO FD/ISO - L - EGD). Amestecați amestecul de carburant conform tabelului de amestec de carburant.

Puneți cantitatea corectă de benzină și de ulei în 2 timpi în recipientul de amestec (22) inclus (a se vedea „Tabelul de amestecare a carburantului”). Agitați apoi bine recipientul de amestec (22).

## 9.3.1 Tabelul de amestecare a carburantului

**Metoda de amestecare: 40 părți benzină la 1 parte ulei**

**Benzină ..... Ulei în 2 timpi  
0,5 litri ..... 12,5 ml**

## 9.4 Umpleți cu carburant (Fig. 8)

### **AVERTIZARE**

Umpleți carburant numai când motorul este deconectat și răcit. Există pericol de incendiu!

1. Curățați întotdeauna zona din jurul dopului de închidere a rezervorului de combustibil (13) înainte de umplere, astfel încât să nu cadă murdărie în rezervorul de combustibil. În acest scop utilizați o cârpă uscată care nu lasă scame.
2. Amplasați aparatul pe o parte, astfel încât dopul de închidere a rezervorului de combustibil (13) să fie orientat în sus.
3. Rotiți dopul de închidere a rezervorului de combustibil (13) în sens antiorar și deschideți-l. Dopul de închidere a rezervorului de combustibil (13) este îmbinat cu o siguranță de pierdere în rezervorul de combustibil și nu poate cădea.
4. Umpleți amestecul de carburant în rezervorul de combustibil. Nu vărsați la alimentare carburant și nu umpleți rezervorul de combustibil până la refuz.
5. Ștergeți imediat carburantul vărsat.
6. Rotiți dopul de închidere a rezervorului de combustibil (13) în sens orar pentru a-l închide.

### **INDICAȚIE**

Controlați și uleiul pentru lanț după fiecare umplere cu carburant.

## 9.5 Golirea carburantului

**Goliți rezervorul de combustibil numai în aer liber sau în încăperi bine ventilate. Asigurați-vă că niciun carburant nu ajunge în sol (protecția mediului). Utilizați un substrat adecvat.**

1. Țineți un recipient de colectare sub rezervorul de combustibil.
2. Deșurubați capacul rezervorului de combustibil (13) și îndepărtați-l.
3. Scurgeți complet amestecul de benzină/ulei.
4. Înșurubați capacul rezervorului de combustibil (13) din nou cu mâna.

## 9.6 Umpleți cu ulei pentru lanț (Fig. 8)

### ⚠️ AVERTIZARE

Umpleți uleiul pentru pâna de ferăstrău numai când motorul este deconectat și răcit. Există pericol de incendiu!

Nu lucrați niciodată fără ungerea lanțului! Dacă lanțul ferăstrăului (1) funcționează pe uscat, setul de tăiere va fi distrus iremediabil în scurt timp.

Înainte de lucru verificați întotdeauna ungerea lanțului.

### INDICAȚIE

Utilizați numai ulei pentru pâna de ferăstrău. De preferință biodegradabil. Nu utilizați ulei vechi, ulei de motor etc.

Controlați pe parcursul lucrului, dacă funcționează ungerea lanțului.

1. Curățați întotdeauna zona din jurul capacului rezervorului de ulei pentru lanț (11) înainte de umplere, astfel încât să nu cadă murdărie în rezervorul de ulei pentru lanț. În acest scop utilizați o cârpă uscată care nu lasă scame.
2. Amplasați aparatul pe o parte, astfel încât dopul de închidere a rezervorului de ulei pentru lanț (11) să fie orientat în sus.
3. Rotiți dopul de închidere a rezervorului de ulei pentru lanț (11) în sens antiorar și deschideți-l. Dopul de închidere a rezervorului de ulei pentru lanț (11) este îmbinat cu o siguranță de pierdere în rezervorul de ulei pentru lanț și nu poate cădea.
4. Umpleți cu ulei pentru lanț bio rezervorul de ulei pentru lanț. Nu vărsați la alimentare ulei pentru lanț și nu umpleți rezervorul de ulei pentru lanț până la refuz.
5. Ștergeți imediat uleiul pentru lanț vărsat.
6. Rotiți capacul rezervorului de ulei pentru lanț (11) în sensul acelor de ceasornic, pentru a-l închide.

## 10. Punerea în funcțiune

### ⚠️ PRECAUȚIE

Vă rugăm să aveți în vedere dispozițiile legale referitoare la ordonanța privind protecția contra zgomotului.

Verificați aparatul înainte de fiecare punere în funcțiune:

- Etanșeitatea sistemului de carburant
- Starea impecabilă și integralitatea dispozitivelor de protecție și a dispozitivului de tăiere
- Stabilitatea tuturor îmbinărilor filetate
- Funcționarea mecanică ușoară a tuturor pieselor mobile

### Indicații de lucru

Înainte de utilizare, familiarizați-vă cu manevrarea ferăstrăului cu lanț.

## 10.1 Pornirea motorului

### ⚠️ ATENȚIE

Îndepărtați-vă la cel puțin 3 metri de punctul de realimentare înainte de a porni motorul (Fig. 9).

Trageți întotdeauna tracțiunea prin cablu pentru pornire (8) drept în afară. Mențineți ferm mânerul tracțiunii prin cablu pentru pornire (8), dacă tracțiunea prin cablu pentru pornire (8) este trasă din nou în mașină. Nu lăsați să sară înapoi tracțiunea prin cablu pentru pornire (8).

Eliberați pârghia de accelerare (5) imediat după pornirea motorului. Asigurați-vă că turația motorului a revenit la mers în gol înainte de a elibera frâna de lanț (împingeți înapoi apăritoarea frontală pentru mână (3)).

Trageți pârghia de pornire la rece (șoc) (14) numai pentru pornire.

### 10.1.1 Pornirea cu un motor rece

### ⚠️ AVERTIZARE

Activați frâna de lanț înainte de fiecare punere în funcțiune (împingeți înainte apăritoarea frontală pentru mână (3)).

### ⚠️ ATENȚIE

Nu lăsați tracțiunea prin cablu pentru pornire (8) să se arunce înapoi. Acest lucru poate duce la deteriorări.

1. Îndepărtați apăritoarea șinei de ghidare (21).
2. Amplasați ferăstrăul cu lanț pe un substrat stabil și plan. Lanțul ferăstrăului (1) nu trebuie să atingă solul.

3. Apăsați apărătoarea frontală pentru mână (3) spre înainte, până când aceasta se fixează în poziție. Lanțul ferăstrăului (1) este blocat prin frâna de lanț.
4. Apăsați pompa de carburant „Primer” (4) de 7 ori. (Fig. 1)
5. Rotiți comutatorul de pornire/oprire (15) pe „ON”. (Fig. 1)
6. Extrageți pârghia de pornire la rece (șoc) (14). (Fig. 10.2)
7. Țineți ferăstrăul cu lanț de mânerul din față (12) și trageți încet tracțiunea prin cablu pentru pornire (8) până la prima rezistență.
8. Strângeți acum rapid tracțiunea prin cablu pentru pornire (8), până când pornește motorul. Dacă nu pornește motorul, repetați procedeul. Atâta timp cât pârghia de pornire la rece (șoc) (14) este scos afară, motorul funcționează numai scurt și se oprește din nou.
9. După ce motorul s-a oprit, acționați împreună pedica manetei de alimentare (7) și pârghia de accelerare (5). Maneta de pornire la rece (șoc) (14) sare automat în poziția de funcționare „Pornire la cald”. (Fig. 10.1)
10. Acum strângeți din nou rapid tracțiunea prin cablu pentru pornire (8) până când motorul pornește.

Dacă motorul nu pornește nici după mai multe încercări, citiți capitolul „Asistență în caz de defecțiuni”.

#### INDICAȚIE

La temperaturi exterioare ridicate, se poate întâmpla să porniți fără pârghia de pornire la rece (șoc) (14) chiar și atunci când motorul este rece!

- Eliberați frâna de lanț trăgând înapoi apărătoarea frontală pentru mână (3). (Fig. 2)
- **PRECAUȚIE!** Frâna de lanț este desfăcută acum. Dacă pârghia de accelerare (5) este acționată împreună cu pedică manetei de alimentare (7), lanțul ferăstrăului (1) începe să funcționeze.

#### 10.1.2 Pornirea când motorul este cald (Aparatul a stat nemișcat timp de mai puțin de 15–20 minute)

##### ⚠ AVERTIZARE

Activați frâna de lanț înainte de fiecare punere în funcțiune (împingeți înainte apărătoarea frontală pentru mână (3)).

1. Apăsați apărătoarea frontală pentru mână (3) spre înainte, până când aceasta se fixează în poziție. Lanțul ferăstrăului (1) este blocat prin frâna de lanț.
2. Rotiți comutatorul de pornire/oprire (15) pe „ON”.
3. Maneta de pornire la rece (șoc) (14) nu trebuie să fie trasă pentru pornirea motorului cald.
4. Țineți ferăstrăul cu lanț de mânerul din față (12) și trageți încet tracțiunea prin cablu pentru pornire (8) până la prima rezistență.
5. Strângeți acum rapid tracțiunea prin cablu pentru pornire (8). Aparatul trebuie să pornească după 1–2 trageri. În cazul în care aparatul nu pornește după 6 trageri, repetați procedeul de la „Pornirea cu motorul rece”.

#### 10.2 Oprirea motorului

##### 10.2.1 Secvența de oprire de urgență

Dacă este necesară oprirea imediată a aparatului, poziționați comutatorul pornit/oprit (15) pe „OFF”. (Fig. 1)

##### 10.2.2 Secvența normală

1. Eliberați pârghia de accelerare (5). Motorul intră în viteza de mers în gol.
2. Apoi, poziționați comutatorul de pornire/oprire (15) pe „OFF”. (Fig. 1)

#### 10.3 Funcționarea în modul mers în gol

##### ⚠ ATENȚIE

La mersul în gol, lanțul ferăstrăului (1) trebuie să fie staționar.

#### INDICAȚIE

Dacă lanțul ferăstrăului (1) merge în gol sau dacă motorul se oprește singur când se eliberează accelerația, trebuie efectuată o reglare a carburatorului (a se vedea capitolul „Întreținerea curentă a reglajelor carburatorului”).

1. Ridicați ferăstrăul cu lanț.
2. Țineți mânerul din față (12) cu mâna stângă.

- Țineți ferm cu mâna dreaptă mânerul posterior (6). Călcâiul mâinii se sprijină pe piedica manetei de alimentare (7), iar degetul arătător acționează pârghia de accelerare (5).
- După prima acționare a pârghiei de accelerare (5) motorul merge în gol.
- Lăsați motorul să funcționeze scurt la cald.

#### 10.4 Verificați și reglați ungerea lanțului

##### ⚠️ ATENȚIE

- Nu lucrați niciodată fără ungerea lanțului! Dacă lanțul ferăstrăului (1) funcționează pe uscat, setul de tăiere va fi distrus iremediabil în scurt timp.
- Înainte de lucru verificați întotdeauna ungerea lanțului.

##### Indicație

Utilizați numai ulei pentru pâna de ferăstrău, de preferință biodegradabil. Nu utilizați ulei vechi, ulei de motor etc.

Mențineți ferăstrăul cu lanț în regim de funcționare, la turație medie deasupra unui buștean tăiat sau unui substrat potrivit. În cazul în care ungerea este suficientă, se va forma o peliculă ușoară de ulei pe butuc sau bază.

- În cazul în care este necesar, poate fi suplimentată sau diminuată ungerea lanțului prin șurubul de reglare a uleiului (32) (Fig. 11).
- Folosiți în acest scop șurubelnița cu fantă (20) furnizată:
  - Apăsați mai întâi și rotiți apoi șurubul de reglare a uleiului (32) în sens orar, pentru a diminua ungerea lanțului.
  - Apăsați mai întâi și rotiți apoi șurubul de reglare a uleiului (32) în sens antiorar, pentru a ridica ungerea lanțului.

#### 10.5 Verificarea frânei de lanț

##### ⚠️ AVERTIZARE

Frâna de lanț trebuie să fie verificată înainte de fiecare punere în funcțiune.

Frână de lanț frânează lanțul ferăstrăului (1) imediat, în cazul unui recul.

- Asigurați-vă că apărătoarea frontală pentru mână (3) nu este murdară și că se mișcă ușor.
- Porniți ferăstrăul cu lanț și accelerați lanțul ferăstrăului (1) până la viteza maximă (Funcționare în plin).

- Cu lanțul ferăstrăului (1) în funcțiune, acționați apărătoarea frontală pentru mână (3). Frâna de lanț trebuie să frâneze și să blocheze lanțul ferăstrăului (1) la viteza maximă.

##### ⚠️ AVERTIZARE

O turație ridicată a motorului pe un interval lung de timp, la frâna de lanț blocată deteriorează motorul și sistemul de acționare cu lanț.

Dacă lanțul ferăstrăului (1) se mișcă în continuare, contactați serviciul de asistență pentru clienți.

## 11. Aplicație

### 11.1 Lucrări de debransare

- Aveți în vedere în toate cazurile pericolul de ramuri care vă pot lovi.
- La curățarea de ramuri nu stați pe buștean.
- Nu tăiați cu vârful șinei. (Fig. 7)
- Nu tăiați mai multe ramuri în același timp.
- Dacă este posibil, sprijiniți ferăstrăul cu lanț cu ajutorul opritorului cu gheară (24) atunci când debransați.
- Aveți în vedere, că la finalul tăieturii ferăstrăul cu lanț se poate rabata din cauza masei proprii. Acesta nu mai este sprijinit în tăietură, contrați-l corespunzător.
- Luați o poziție stabilă și sigură la curățarea de ramuri.

#### 11.1.1 Lucrări de debransare în secțiuni

Scurtați ramurile lungi sau groase înainte de a face tăierea finală. În caz contrar, lanțul ferăstrăului (1) se poate bloca cu ușurință.

#### 11.1.2 Prelucrați lemnul tensionat

Ordinea corectă la prelucrarea lemnului tensionat trebuie să fie respectată neapărat. În caz contrar, lanțul ferăstrăului (1) se poate bloca sau se poate produce un recul.

Lemnul tensionat trebuie să fie tăiat întotdeauna mai întâi pe partea de presiune. Abia apoi se poate realiza tăietura de separare pe partea de tracțiune. (Fig. 24)

Acest lucru previne blocarea lanțului ferăstrăului (1).

## ATENȚIE

### Prejudicii materiale!

Lemnul așezat nu trebuie să atingă solul la partea inferioară a locului de tăiere, deoarece, în caz contrar, poate fi deteriorat lanțul ferăstrăului (1).

### Lovitură de recul

- Înțepenirea lanțului ferăstrăului (1) pe marginea superioară a șinei de ghidare (2) poate împinge rapid ferăstrăul cu lanț înapoi în direcția de funcționare într-un mod necontrolat.

### Tragerea înăuntru

- Înțepenirea lanțului ferăstrăului (1) pe marginea inferioară a șinei de ghidare (2) poate îndepărta rapid ferăstrăul cu lanț de la direcția de funcționare într-un mod necontrolat.

### Lucrul în siguranță

- Mențineți aparatul într-o stare de utilizare bună, pentru a preveni vătămările.
- Verificați aparatul după doborâre cu privire la deteriorări sau defecte semnificative.
- Nu utilizați aparatul pe o scară sau pe un amplasament nesigur.
- Nu vă lăsați îndrumat să faceți o tăietură negândită. Acest lucru vă poate periclita pe dumneavoastră și pe alții.
- Schimbați-vă regulat poziția dumneavoastră de lucru. O utilizare de lungă durată a aparatului poate provoca blocarea circulației sangvine a mâinilor, datorită vibrațiilor. Puteți prelungi durata de utilizare folosind mănuși de protecție sau făcând pauze la intervale regulate de timp. Acordați atenție faptului că circulația sanguină poate fi afectată în perioade mai scurte de timp în funcție de temperaturile exterioare sau starea terenului pe care se efectuează lucrările.

### 11.2 Trunchiul de lemn este îndoit în jos

1. Mai întâi se face o tăietură de relief 1 (aproximativ 1/3 din diametrul bușteanului) pe partea de presiune.
2. Apoi se face tăietura de separare 2 (aproximativ 2/3 din diametrul trunchiului) pe partea de tragere.

### 11.3 Trunchiul de lemn este îndoit în sus

1. Mai întâi se face o tăietură de relief 1 (aproximativ 1/3 din diametrul bușteanului) pe partea de presiune.
2. Apoi se face tăietura de separare 2 (aproximativ 2/3 din diametrul trunchiului) pe partea de tragere.

### 11.4 Utilizarea ferăstrăului pentru îngrijirea arborilor pentru tăierea copacilor în combinație cu tehnica de cățărare pe coardă

Prezenta anexă prezintă practicile de lucru adecvate pentru a reduce pericolul de vătămare în urma utilizării ferăstrăului cu lanț pentru arboricultură atunci când se lucrează la înălțime cu o frânghie și o centură port-aparat. Deși poate servi drept ghid și lectură de formare, nu trebuie considerat un substitut pentru formarea formală. Orientările din prezenta anexă servesc doar ca exemplu de bune practici.

Se pot aplica reglementări naționale sau de altă natură care pot fi mai stricte.

Utilizatorul unui ferăstrău cu lanț pentru îngrijirea arborilor care lucrează la înălțime cu o frânghie și o centură port-aparat nu trebuie să lucreze niciodată singur. Un lucrător de la sol instruit cu privire la procedurile de urgență adecvate ar trebui să fie prezent pentru a acorda asistență.

Utilizatorul ar trebui să fie instruit în tehnici generale de cățărare și de poziționare în condiții de siguranță la locul de muncă și ar trebui să fie echipat cu o centură port-aparat, frânghii, chingi, carabiniere și alte echipamente pentru a obține poziții de lucru sigure și corecte atât pentru el însuși, cât și pentru ferăstrău. Legile și reglementările naționale trebuie întotdeauna respectate cu strictețe.

Prezenta anexă nu acoperă tehnicile de control al ramurilor și crengilor tăiate de ferăstrăul cu lanț și nici nu include punctele deja abordate cu privire la utilizarea în siguranță.

#### 11.4.1 Cerințe generale

Utilizatorul unui ferăstrău cu lanț pentru îngrijirea arborilor care lucrează la înălțime cu o frânghie și o centură port-aparat nu trebuie să lucreze niciodată singur. Un lucrător de la sol instruit cu privire la procedurile de urgență adecvate ar trebui să fie prezent pentru a acorda asistență.

Utilizatorul ar trebui să fie instruit în tehnici generale de cățărare și de poziționare în condiții de siguranță la locul de muncă și ar trebui să fie echipat cu o centură port-aparat, frânghii, chingi, carabiniere și alte echipamente pentru a obține poziții de lucru sigure și corecte atât pentru el însuși, cât și pentru ferăstrău.

#### 11.4.2 Pregătiri înainte de a utiliza ferăstrăul pentru îngrijirea arborilor în copac

Ferăstrăul cu lanț ar trebui verificat, alimentat, pornit și încălzit de către lucrătorul de la sol și apoi oprit înainte de a fi urcat de către utilizator în copac.

Ferăstrăul cu lanț ar trebui să fie echipat cu o chingă adecvată, astfel încât să poată fi atașat la centura port-aparat a utilizatorului (Fig. 13):

- Fixați chinga la dispozitivul de suspendare (19) situat în partea din spate a ferăstrăului (Fig. 12).
- Trebuie prevăzute carabiniere adecvate pentru a permite fixarea indirectă (adică prin intermediul chingii) și directă (adică la dispozitivul de suspendare (19) al ferăstrăului cu lanț) a ferăstrăului la centura port-aparat a utilizatorului.
- Asigurați-vă că ferăstrăul cu lanț este bine fixat atunci când este tras în sus către utilizator (Fig. 14).
- Asigurați-vă că ferăstrăul cu lanț este atașat de centura port-aparat înainte de a-l elibera de cablul de ridicare.

Posibilitatea de a atașa ferăstrăul cu lanț direct la centura port-aparat reduce riscul de a deteriora echipamentul atunci când îl deplasezi în copac. Ferăstrăul cu lanț trebuie să fie întotdeauna oprit atunci când este atașat direct de centura port-aparat.

Ferăstrăul cu lanț trebuie să fie atașat numai la dispozitivele de suspendare recomandate pe centura port-aparat. Acestea pot fi în mijloc (în față sau în spate) sau pe laterale. Ori de câte ori este posibil, atașați ferăstrăul cu lanț la partea din spate a centurii port-aparat, pentru a-l ține departe de frângiile de cățărare și pentru a susține greutatea în centru, sub coloana vertebrală a utilizatorului.

În cazul în care ferăstrăul cu lanț este mutat de la un dispozitiv de suspendare la altul, utilizatorii trebuie să se asigure că ferăstrăul cu lanț este fixat în noua poziție înainte de a fi eliberat de la dispozitivul de suspendare anterior.

#### 11.5 Exploatarea ferăstrăului cu lanț în copac

O analiză a accidentelor produse cu aceste ferăstraie cu lanț în timpul lucrărilor de îngrijire a copacilor arată că principala cauză este utilizarea necorespunzătoare a ferăstrăului cu lanț, cu o singură mână. În majoritatea accidentelor, utilizatorii nu adoptă o poziție de lucru sigură care să le permită să țină ferăstrăul cu lanț de ambele mâneri, ceea ce duce la un pericol crescut de vătămare din următoarele motive:

- Lipsa strângerii ferme a mânerului la reculul ferăstrăului cu lanț.
- Lipsa de control al ferăstrăului cu lanț, ceea ce facilitează contactul acestuia cu frângiile de cățărare și cu corpul utilizatorului (în special mâna și brațul stâng).
- Pierderea controlului din cauza unei poziții de lucru nesigure și, prin urmare, a contactului cu ferăstrăul cu lanț (mișcări neașteptate în timpul lucrului cu ferăstrăul cu lanț).

#### 11.6 Poziție de lucru sigură pentru utilizarea cu ambele mâini

Pentru a putea ține ferăstrăul cu lanț cu ambele mâini, utilizatorii trebuie să încerce întotdeauna să adopte o poziție de lucru sigură, ghidând ferăstrăul după cum urmează:

- la înălțimea taliei atunci când tăiați bucăți orizontale.
- la nivelul stomacului atunci când se taie bucăți verticale.

În cazul în care utilizatorul lucrează aproape de bușteanul care se deplasează vertical, cu forțe laterale reduse față de poziția de lucru, o fixare sigură a piciorului ar putea fi suficientă pentru o poziție de lucru sigură. Cu toate acestea, de îndată ce utilizatorii se îndepărtează de buștean, trebuie să ia măsuri suplimentare pentru a reduce sau a contracara forțele laterale în creștere, de exemplu, prin devierea frângiei principale printr-un dispozitiv de suspendare suplimentar sau prin exploatarea unei chingi reglabile care să ducă de la ham la un dispozitiv de suspendare suplimentar (figurile 15 și 16).



### 11.6.1 Pornirea ferăstrăului pentru îngrijirea arborilor în copac

Atunci când pornește ferăstrăul cu lanț în copac, utilizatorul trebuie să:

- acționeze frâna de lanț înainte de pornire (împingeți apărătoarea frontală pentru mână (3) spre înainte).
- țină ferăstrăul cu lanț în stânga sau în dreapta corpului la pornire:
  - Țineți ferăstrăul cu lanț pe partea stângă cu mâna stângă pe mânerul din față și împingeți ferăstrăul cu lanț departe de corp, ținând frânghia de pornire în mâna dreaptă.
  - Țineți ferăstrăul cu lanț pe partea dreaptă cu mâna dreaptă pe unul dintre cele două mânere și împingeți ferăstrăul cu lanț departe de corp în timp ce țineți frânghia de pornire în mâna stângă.

Frâna de lanț trebuie să fie întotdeauna activată înainte de a coborî ferăstrăul cu lanț în funcțiune cu ajutorul cablului de suspensie.

Înainte de lucrările dificile de tăiere, utilizatorul trebuie să se asigure întotdeauna că ferăstrăul cu lanț are suficient carburant.

### 11.6.2 Utilizarea cu o singură mână a ferăstrăului cu lanț

Utilizatorii nu ar trebui să folosească ferăstraiele cu lanț pentru îngrijirea arborilor cu o singură mână în poziții de lucru instabile sau în locul unui ferăstrău de mână pentru tăierea vârfurilor de crengi cu diametru mic.

Ferăstraiele cu lanț pentru îngrijirea arborilor trebuie utilizate cu o singură mână numai atunci când

- a. nu este posibil ca utilizatorii să obțină o poziție de lucru care să permită exploatarea cu ambele mâini.
- b. este necesar să se fixeze poziția de lucru cu o singură mână.
- c. ferăstrăul cu lanț este utilizat într-o poziție complet întinsă, în unghi drept și în afara liniei corpului utilizatorului.

Utilizatorii nu ar trebui niciodată:

- Să taie cu zona de recul la vârful șinei de ghidare (2) a ferăstrăului cu lanț.
- Să se țină de creanga pe care o taie.
- Să încerce să prindă bucățile care cad.

### 11.6.3 Eliberarea unui ferăstrău cu lanț înțepenit

În cazul în care ferăstrăul cu lanț rămâne înțepenit în timpul tăierii, utilizatorul trebuie:

1. Să oprească ferăstrăul cu lanț și să-l asigure, în siguranță, spre interiorul copacului (adică spre trunchiul de copac) sau la o frânghie separată pentru unelte.
2. Scoateți ferăstrăul cu lanț din creștătură în timp ce ridicăți creanga atât cât este necesar,
3. Dacă este necesar, folosiți un ferăstrău manual sau un al doilea ferăstrău cu lanț pentru a slăbi ferăstrăul cu lanț blocat, ținând la cel puțin 30 cm distanță de acesta.

Indiferent dacă se folosește un ferăstrău manual sau un fierăstrău cu lanț pentru a elibera un fierăstrău cu lanț prins, tăieturile pentru eliberarea acestuia trebuie făcute întotdeauna în exterior (spre vârfurile crengilor), astfel încât fierăstrăul cu lanț să nu fie luat cu părțile tăiate și să complice și mai mult situația.

## 12. Transportul

- Folosiți întotdeauna apărătoarea șinei de ghidare (21) la transport.
- Deconectați ferăstrăul cu lanț înainte de fiecare transport, chiar și la tronsoane scurte. Asigurați mașina pe parcursul transportului (și în autovehicule) împotriva răsturnării, pentru a evita consumul de carburant, deteriorări sau vătămări.
- Activați frâna de lanț (împingeți înainte apărătoarea frontală pentru mână (3)).
- Transportați aparatul numai de mânerul din față (12). Șina de ghidare (2) este îndreptată spre spate, departe de corp.
- Țineți amortizorul de zgomot fierbinte (18) departe de corp. Există pericol de provocare a arsurilor! (Fig. 23)

## 13. Curățarea și întreținerea curentă

### AVERTIZARE

#### Pericol de vătămare!

Întotdeauna opriți aparatul și deconectați fișa bujiilor (35) înainte de curățare.

(a se vedea capitolul 13.4 Întreținerea curentă a bujiei (34)).

## Indicație

După fiecare utilizare trebuie să fie curățat temeinic aparatul.

Executați lucrările de curățare și de întreținere curentă, așa cum sunt indicate în acest manual de utilizare. Lucrările adiționale trebuie să fie executate de personalul de specialitate.

Lucrările de întreținere curentă trebuie să fie executate regulat (a se vedea capitolul „Intervalele de întreținere curentă”).

### 13.1 Curățarea unității motorului

#### ⚠ AVERTIZARE

#### Pericol de provocare a arsurilor!

Nu atingeți amortizorul de zgomot fierbinte, cilindrul sau nervurile de răcire.

- Feriți dispozitivele de protecție, fantele pentru aer și carcasa motorului cât mai mult posibil de praf și murdărie. Suflați-le cu aerul comprimat cu presiune scăzută.
- Curățați regulat aparatul după fiecare folosire cu o lavetă umedă și puțin detergent. Aveți grijă să nu poată pătrundă apă în interiorul aparatului.

### 13.2 Curățarea filtrului de aer (33) (Fig. 17)

Filtrul de aer murdărit diminuează puterea motorului din cauza admisiei prea scăzute a aerului de la carburator.

De aceea, este indispensabil controlul regulat. Filtrul de aer (33) trebuie să fie controlat regulat și, dacă este necesar, trebuie să fie curățat.

La aer cu foarte mult praf trebuie să fie verificat mai frecvent filtrul de aer (33).

1. Desfaceți capacul filtrului de aer (10), rotindu-l în sens invers acelor de ceasornic.
2. Îndepărtați apărătoarea filtrului de aer (9).
3. Extrageți filtrul de aer (33).
4. Curățați filtrul de aer (33) prin batere sau suflare (cu aer comprimat).

Asamblarea se realizează în ordine inversă.

#### ⚠ ATENȚIE

Nu curățați niciodată filtrul de aer (33) cu benzină sau solvenți inflamabili.

### 13.3 Curățarea transmisiei cu lanț

#### ⚠ AVERTIZARE

#### Pericol de vătămare!

Purtați întotdeauna mănuși de protecție atunci când atingeți lanțul ferăstrăului (1). Pericol de vătămare din cauza dinților de tăiere ascuțiți!

#### Indicație

Curățați sistemul de acționare cu lanț după fiecare utilizare.

1. Așezați ferăstrăul cu lanț pe un substrat plan și stabil.
2. Trageți apărătoarea frontală pentru mână (3) înapoi până la opritor, pentru a elibera frâna de lanț. (Fig. 2)
3. Rotiți șurubul de întindere a lanțului (23) în sens invers acelor de ceasornic cu ajutorul șurubelniței cu fantă (20) pentru a reduce tensiunea.
4. Îndepărtați cele două piulițe de fixare (16) cu ajutorul cheii de bujii (20).
5. Detașați capacul roții de lanț (17).
6. Îndepărtați cu grijă lanțul ferăstrăului (1) de pe șina de ghidare (2) și de pe roata de lanț (27).
7. Îndepărtați șina de ghidare (2). Curățați-o cu o pensulă.
8. Acum curățați bine întreaga zonă de acționare a lanțului și capacul roții de lanț (17) cu o pensulă sau prin suflare (cu aer comprimat).

Asamblarea se realizează în ordine inversă.

### 13.4 Întreținerea curentă a bujiei (34)

#### (Fig. 19 / 20)

1. Demontați filtrul de aer (33) așa cum este descris la punctul 13.2 „Curățarea filtrului de aer (33)”.
2. Îndepărtați fișa bujiilor (35), rotindu-l spre stânga și spre dreapta și trăgându-l în același timp. Țineți și trageți fișa bujiilor (35) numai de fișă. Nu trageți niciodată de cablu!
3. Eliberați bujia (34) cu cheia de bujii (20) furnizată.
4. Asamblarea se realizează în ordine inversă.

Distanța dintre electrozi = 0,6 mm - 0,7 mm (distanța dintre electrozi între care este generată scânteia de aprindere). Verificați bujia (34) pentru prima dată după 10 ore de funcționare pentru a vedea dacă este murdară și curățați-o cu o perie de sârmă de cupru dacă este necesar.

Apoi întrețineți bujia (34) la fiecare 50 de ore de funcționare.

### 13.5 Întreținerea curentă a ungerii lanțului

- A se vedea capitolul „Verificarea și reglarea ungerii lanțului”.

### 13.6 Întreținerea curentă a reglajelor carburatorului

- Dacă lanțul ferăstrăului (1) merge în gol sau dacă motorul se oprește singur când se eliberează accelerația, trebuie efectuată o reglare a carburatorului.

#### Indicație

Încredințați executarea reglajelor carburatorului (de ex. turația de mers în gol) numai personalului de specialitate calificat, pentru a evita deteriorările motorului.

### 13.7 Întreținerea curentă a șinei de ghidare (2)

- Îndepărtați aparatele eventual deteriorate de la muchia șinei cu ajutorul unei pile metalice.
- Curățați canelura șinei de ghidare (2) cu ajutorul unei pensule sau al aerului comprimat (Fig. 21). Înlocuiți șina de ghidare (2) de îndată ce canelura de ghidare (28) este uzată.
- Rotiți șina de ghidare (2) după fiecare exploatare pentru a asigura o uzură uniformă.
- Verificați dacă roata dințată (30) de la vârful șinei de ghidare (2) funcționează fără probleme. Lubrifiați-o, după caz, cu ulei de lagăre. Lăsați să se scurgă puțin ulei pentru rulmenți în orificiul de ungere (31). (Fig. 21)

### 13.8 Verificarea frânei de lanț

Vezi capitolul 10.5 „Verificarea frânei de lanț”

#### **AVERTIZARE**

#### PERICOL DE REcul

O frână de lanț nefuncțională crește riscul de recul.

Verificați periodic frâna de lanț.

O frână de lanț funcțională este esențială pentru siguranța dumneavoastră.

### 13.9 Întinderea și verificarea lanțului ferăstrăului (1).

Vezi capitolul 9.2 „Întinderea și verificarea lanțului ferăstrăului (1)”

### 13.10 Ascuțirea și întreținerea lanțului ferăstrăului (1)

#### **AVERTIZARE**

#### Pericol de vătămare!

Purtați întotdeauna mănuși de protecție atunci când atingeți lanțul ferăstrăului (1). Pericol de vătămare din cauza dinților de tăiere ascuțiți!

#### Indicație

Un lanț de ferăstrău (1) întreținut și ascuțit în mod optim reduce solicitarea fizică, uzura și duce la un rezultat de tăiere bun.

Curățați, îngrijiți și ascuțiți periodic lanțul ferăstrăului (1).

Verificați periodic lanțul ferăstrăului (1) pentru a detecta eventualele fisuri și nituri deteriorate.

Un suport de polizare poate fi atașat la ajutorul suportului de polizare pentru o fixare sigură în timpul polizării.

Utilizați numai pile rotunde pentru lanțul ferăstrăului speciale cu un Ø 4,8 mm (3/16”) pentru lanțul ferăstrăului conținut în pachetul de livrare (1).

Într-un kit de ascuțire veți găsi informații detaliate despre procesul de ascuțire.

Alternativ utilizați un dispozitiv electric de ascuțire lanțuri și urmați instrucțiunile producătorului.

În cazul în care aveți îndoieli cu privire la efectuarea lucrării, înlocuiți lanțul ferăstrăului (1).

Dacă este necesar, lăsați lanțul ferăstrăului (1) să fie ascuțit de un atelier de specialitate.

- Accesoriul necesar (nu este inclus în pachetul de livrare):
  - Pila rotundă pentru lanțul ferăstrăului Ø 4,8 mm (3/16”)
  - Pila lată
  - Șablon de limitare a adâncimii
- Piliți numai în mișcarea spre înainte, pentru a desprinde materialul.
- Șlefuiți cu un unghi de ascuțire de aproximativ 25° la o înclinație de 10° față de șina de ghidare (2).
- Verificați distanța limitării de adâncime cu un șablon de limitare a adâncimii.
- Distanța corectă a limitatorului de adâncime trebuie să fie de 0,6 mm (0,024”).

### 13.11 Intervalele de întreținere

Pentru o durată de serviciu lungă, pentru a evita deteriorarea și pentru a asigura funcționarea completă a dispozitivelor de siguranță, lucrările de întreținere descrise mai jos trebuie efectuate în mod regulat. Cererile de garanție vor fi acceptate numai dacă aceste lucrări au fost efectuate în mod regulat și corespunzător. Există riscul de accident dacă nu se respectă acest lucru!

Utilizatorii ferăstraielelor cu lanț pot efectua numai lucrările de întreținere curentă și îngrijire descrise în acest manual de exploatare.

Orice lucrare care depășește aceste limite poate fi efectuată numai de un atelier de specialitate.

General	Ferăstrău pentru îngrijirea completă a arborilor	Curățați exteriorul și verificați dacă există deteriorări. În caz de deteriorare, solicitați imediat o reparație profesională.
	Lanț ferăstrău	Reascuțiți în mod regulat, reînnoiți în timp util.
	Frână de lanț	Verificați-l în mod regulat la un atelier de specialitate
	Șină de ghidare	Întoarceți astfel încât suprafețele de rulare afectate să se uzeze uniform. Reînnoiți în timp util.
Înainte de fiecare punere în funcțiune	Lanț ferăstrău	Verificați dacă sunt deteriorări și dacă este ascuțit. Verificați tensionarea corespunzătoare a lanțului.
	Șină de ghidare	Verificați dacă există deteriorări.
	Ungerea lanțului	Verificarea funcționării
	Frână de lanț	Verificarea funcționării
	Comutator pornire/oprire, piedică manetă de alimentare, pârghie de accelerare	Verificarea funcționării
	Capacul rezervorului de carburant și de ulei pentru lanț	Verificați etanșeitatea.
Zilnic	Filtrul de aer	Curățare
	Șină de ghidare	Verificați dacă există deteriorări, curățați orificiul de admisie a uleiului
	Suport șină	Curățați, în special canelura de ghidare a uleiului
	Turația de mers în gol	Verificare (lanțul nu trebuie să funcționeze)
Săptămânal	Carcasa ventilatorului	Curățați pentru a asigura un flux de aer de răcire adecvat
	Bujie	Verificați, reînnoiți dacă este necesar
	Amortizor zgomot	Verificați dacă este înfundat
	Dispozitiv de prindere a lanțului	Verificați dacă sunt deteriorări, înlocuiți-le dacă este necesar
	Șuruburi și piulițe	Verificați starea și potrivirea strânsă

Trimestrial	Cap de aspirație Rezervor de carburant și de ulei pentru lanț	Schimbare Curățare
Depozitare	ferăstrău pentru îngrijirea completă a arborilor	Curățați exteriorul și verificați dacă există deteriorări În caz de deteriorare, solicitați imediat o reparație profesională
	Lanț și șină de ferăstrău	Demontați, curățați și ungeți ușor cu ulei Curățați canelura de ghidare a șinei de ghidare
	Rezervor de carburant și de ulei pentru lanț	Goliți și curățați
	Carburator	Mers în gol

### 13.12 Indicație importantă în caz de reparații

În cazul livrării returnate a aparatului pentru reparații, vă rugăm să rețineți că, din motive de securitate, aparatul trebuie trimis la stația service fără ulei și benzină.

### 13.13 Informații cu privire la service

Trebuie menționat faptul că, în cazul acestui produs, următoarele piese sunt supuse uzurii în conformitate cu utilizarea prevăzută sau uzurii naturale, respectiv că următoarele componente sunt necesare drept consumabile.

Piese de uzură\*: Lanț ferăstrău, Șină de ghidare, Ulei pentru lanț, Ulei pentru motor, Opritor cu gheară, Prințator de lanț, Bujie, Filtru de aer, Filtrul de combustibil, Filtru de ulei pentru lanț

\* nu este inclus în mod obligatoriu în pachetul de livrare!

### Set de tăiere aprobat

Lanț ferăstrău

Kangxin 3/8LP-40..... 7910100739

Oregon 91P040X..... 3910102032

Șină de ghidare

Kangxin AP10-40-509P..... 7910100740

Oregon 100SDEA041..... 7910100744

## 14. Depozitare

Cheia de bujii / șurubelnița cu fantă (20) poate fi păstrată pe partea laterală a apărătoarei șinei de ghidare (21).

Folosiți întotdeauna apărătoarea șinei de ghidare (21) la depozitare.

Curățați și întrețineți curent aparatul înainte de fiecare depozitare, a se vedea capitolul „Curățarea și întreținerea curentă”.

Goliți complet rezervorul de ulei, respectiv de combustibil.

### AVERTIZARE

Nu îndepărtați benzina în încăperi închise, în apropierea focului sau când se fumează. Vaporii de gaz pot provoca explozii sau incendii.

- Porniți motorul și lăsați-l să funcționeze până la epuizarea benzinei rămase.

Depozitați aparatul și accesoriile sale într-un loc întunecat, uscat și ferit de îngheț, inaccesibil copiilor. Temperatura optimă de depozitare este între 5 și 30°C.

Nu depozitați și nu utilizați ferăstrăul cu lanț la temperaturi sub 0 °C!

Nu depozitați niciodată un ferăstrău cu lanț pentru mai mult de 30 de zile fără să parcurgeți următorii pași.

Respectați indicațiile de curățare și întreținere curentă înainte de a depozita aparatul!

### 14.1 Depozitarea ferăstrăului cu lanț

Dacă depozitați un ferăstrău cu lanț pentru mai mult de 30 de zile, acesta trebuie să fie pregătit în acest scop. În caz contrar, carburantul rămas în carburator se va evapora și va lăsa în urmă un sediment cauciucat. Acest lucru ar putea îngreuna pornirea și ar putea duce la reparații costisitoare.

1. Scoateți încet capacul rezervorului de combustibil (13) pentru a elibera presiunea din rezervor. Goliți cu grijă rezervorul.
2. Porniți motorul și lăsați-l să funcționeze până când ferăstrăul cu lanț se oprește pentru a elimina carburantul din carburator.
3. Lăsați motorul să se răcească (aprox. 5 minute).
4. Scoateți bujia (34).
5. Adăugați 1 linguriță de ulei curat în 2 timpi în camera de ardere. Trageți încet de câteva ori de tracțiune prin cablu pentru pornire (8) pentru a acoperi componentele interne. Reintroduceți bujia (34).

Depozitați ferăstrăul cu lanț într-un loc uscat și departe de posibilele surse de aprindere, de exemplu, aragaz, încălzitor de apă caldă pe gaz, uscător pe gaz, etc., departe de raza de acțiune a copiilor. Montați întotdeauna apărătoarea șinei de ghidare (21) dacă lanțul ferăstrăului (1) și șina de ghidare (2) nu sunt demontate

#### 14.2 Repunerea în funcțiune a ferăstrăului cu lanț

1. Scoateți bujia (34).
2. Trageți rapid de tracțiunea prin cablu pentru pornire (8) pentru a îndepărta excesul de ulei din camera de ardere.
3. Curățați bujia (34) și asigurați-vă că distanța dintre electrozi de pe bujie (34) este corectă sau montați o bujie nouă (34) cu distanța corectă între electrozi.
4. Pregătiți ferăstrăul cu lanț pentru funcționare.
5. Umpleți rezervorul cu un amestec corect de ulei și carburant (1:40).

#### 14.3 Depozitarea carburantului

Carburanții pot fi depozitați doar pentru o perioadă limitată de timp. Carburantul și amestecurile de carburant îmbătrânesc prin evaporare, în special sub influența temperaturilor ridicate. Carburantul și amestecurile de carburant suprapuse pot duce astfel la probleme de pornire și la deteriorarea motorului. Cumpărați doar atât carburant cât va fi consumat în câteva luni. Utilizați carburantul amestecat la temperaturi mai ridicate în 6-8 săptămâni.

**Depozitați carburantul numai în recipiente aprobate, într-un loc uscat, răcoros și sigur!**

## AVERTIZARE

### Evitați contactul cu pielea și ochii!

Produsele pe bază de uleiuri minerale, inclusiv uleiurile, degresează pielea. Contactul repetat și prelungit usucă pielea. Consecințele pot fi diverse boli de piele. Sunt cunoscute și reacții alergice.

Contactul ochilor cu uleiul provoacă iritații. În caz de contact cu ochii, clătiți imediat ochiul afectat cu apă curată. Dacă iritația persistă, consultați imediat un medic!

## 15. Eliminarea ca deșeu și revalorificarea

### Indicații referitoare la ambalaj



Materialele de ambalare sunt reciclabile. Vă rugăm să eliminați ambalajele ca deșeu, în mod ecologic.

**Posibilitățile de reciclare ale aparatelor casate le puteți afla de la administrația comunală sau municipală.**

### Carburanți și uleiuri

- Înainte de eliminarea ca deșeu a aparatului, rezervorul de combustibil și rezervorul de ulei de motor trebuie golite!
- Carburantul și uleiul de motor nu reprezintă gunoi menajer și nu trebuie aruncate în sistemul de canalizate, ci trebuie colectate separat, respectiv eliminate ca deșeu!
- Rezervoarele goale de ulei și carburant trebuie să fie eliminate ecologic.

## 16. Remedierea avariilor

Defecțiune	Cauza posibilă	Remediere
Motorul nu pornește sau pornește, dar nu continuă să funcționeze.	Procedură de pornire greșită.	Urmați instrucțiunile din acest manual.
	Amestec de carburator reglat incorect.	Solicitați reglarea carburatorului de către un centru de service autorizat.
	Bujie cu funingine.	Curățați/reglați sau înlocuiți bujia.
	Filtru de combustibil înfundat.	Înlocuiți filtrul de combustibil.
Motorul pornește, dar nu funcționează la putere maximă.	Filtru de aer murdar	Scoateți filtrul, curățați-l și reintroduceți-l.
	Amestec de carburator reglat incorect.	Solicitați reglarea carburatorului de către un centru de service autorizat.
Motorul nu merge rotund	Amestec de carburator reglat incorect.	Solicitați reglarea carburatorului de către un centru de service autorizat.
Nici o putere la solicitare	Bujie reglată incorect.	Curățați/reglați sau înlocuiți bujia.
Motorul funcționează neregulat	Amestec de carburator reglat incorect.	Solicitați reglarea carburatorului de către un centru de service autorizat.
Fum excesiv.	Amestec greșit de carburant.	Utilizați amestecul corect de carburant (raport 1:40).
Nici o putere la solicitare	Lanț tocit sau lanț slăbit	Ascuțiți lanțul sau introduceți un lanț nou. Întindeți lanțul.
Motorul moare	Rezervorul de benzină este gol sau filtrul de combustibil din rezervor este poziționat incorect	Umpleți rezervorul de benzină. Umpleți complet rezervorul de benzină sau poziționați diferit filtrul de combustibil în rezervorul de benzină.
Ungere insuficientă a lanțului (Lama și lanțul se încălzesc)	Rezervorul de ulei pentru lanț gol	Umpleți rezervorul de ulei pentru lanț.
	Pasaje de ulei înfundate	Curățați orificiul de ungere din lamă. Curățați canelura lamei.

## 17. Certificatul de garanție

### **Stimată clientă, stimate client,**

toate produsele noastre sunt supuse la verificări stricte de calitate, pentru a avea siguranța că ajung la dvs. în stare perfectă. În cazul puțin probabil în care la dispozitiv apare un defect, contactați departamentul nostru de service la adresa indicată pe această fișă de garanție. Bineînțeles, dacă preferați să ne apelați, ne bucurăm să vă oferim asistență la numărul de service imprimat mai jos. Rețineți următorii termeni sub care pot fi făcute cereri în baza garanției:

- Acești termeni de garanție acoperă drepturi de garanție suplimentare și nu afectează drepturile privind garanția prevăzute de lege. Pentru această garanție nu vă taxăm.
- Garanția noastră acoperă numai problemele cauzate de defecte de material sau de fabricație și se limitează la remedierea acestor defecte sau înlocuirea dispozitivului. Rețineți că dispozitivele noastre nu au fost concepute pentru utilizarea în aplicații comerciale, profesionale sau industriale. În consecință, garanția este invalidată dacă echipamentul este utilizat în activități comerciale, profesionale sau industriale sau în alte activități echivalente. De asemenea, garanția exclude următoarele: compensarea pentru deteriorare la transport, deteriorări cauzate de nerespectarea instrucțiunilor de instalare/asamblare sau deteriorări cauzate de instalarea neprofesională, nerespectarea instrucțiunilor de instalare (de exemplu, conectarea la altă tensiune de rețea sau alt tip de curent), utilizări incorecte sau necorespunzătoare (precum supraîncărcarea dispozitivului sau utilizarea de scule sau accesorii neaprobate), nerespectarea normelor de întreținere și de protecție a muncii, pătrunderea de corpuri străine în dispozitiv (de exemplu, nisip, pietre sau praf), efecte cauzate de forțe sau de influențe externe (de exemplu, deteriorări cauzate de căderea dispozitivului) și uzura normală care rezultă în urma operării corespunzătoare a dispozitivului.

Garanția este declarată nulă și neavenită în cazul oricărei încercări de a modifica dispozitivul.

- Garanția este valabilă pentru o perioadă de 3 ani de la data cumpărării dispozitivului. Cererile în baza garanției trebuie transmise înaintea terminării perioadei de garanție, în interval de două săptămâni de la observarea defectului. După încheierea perioadei de garanție nu vor mai fi acceptate cereri în baza garanției. Perioada inițială de garanție rămâne în vigoare pentru dispozitiv chiar dacă sunt efectuate reparații sau sunt înlocuite componente. În asemenea cazuri, lucrările efectuate sau componentele înlocuite nu vor avea ca rezultat extinderea perioadei de garanție și nu va mai fi activată nicio altă garanție pentru lucrarea efectuată sau componentele montate. Această situație este valabilă și atunci când se utilizează un service la fața locului.
- Pentru solicitări privitoare la drepturile de garanție pentru produs, vă rugăm să vă adresați la adresa de service indicată mai jos. În măsura în care reclamația se află în intervalul perioadei de garanție, vă vom pune la dispoziție un bon de retur, cu care puteți returna fără costuri aparatul dumneavoastră defect. Ne-ar fi de ajutor dacă ați putea descrie natura problemei cât mai detaliat posibil. Dacă defectul este acoperit de garanția noastră, atunci dispozitivul fie vă va fi reparat imediat și returnat, fie vă vom trimite un nou dispozitiv.
- Timpul de nefuncționare din cauza lipsei de conformitate apărute în cadrul termenului de garanție prelungeste termenul de garanție legală de conformitate și cel al garanției comerciale și curge, după caz, din momentul la care a fost adusă la cunoștința vânzătorului lipsa de conformitate a produsului sau din momentul prezentării produsului la vânzător/unitatea service până la aducerea produsului în stare de utilizare normală și, respectiv, al notificării în scris în vederea ridicării produsului sau predării efective a produsului către consumator.
- Produsele de folosință îndelungată care înlocuiesc produsele defecte în cadrul termenului de garanție vor beneficia de un nou termen de garanție care curge de la data preschimbării produsului.

Bineînțeles, putem oferi și servicii de reparații cu plată pentru orice defecte care nu fac parte din aria de acoperire a acestei garanții sau pentru unități care nu mai sunt acoperite. Pentru a beneficia de acest serviciu, trimiteți dispozitivul la adresa noastră de service.



**Hotline serviciu (RO):**

00800 4003 4003

(0,00 EUR/Min.)

**Serviciu de e-mail (RO):**

service.RO@schepbach.com

**Adresa serviciu (RO):**

Machine House S.R.L.

Str. Nicolae Balcescu Nr. 6a

RO - 200676 - Craiova, jud. DOLJ

Romania



De pe [www.lidl-service.com](http://www.lidl-service.com) puteți descărca aceste manuale, video-uri de produs și software de instalare și multe altele de acest fel.

Cu codul QR ajungeți direct pe pagina de service Lidl ([www.lidl-service.com](http://www.lidl-service.com)) și puteți deschide instrucțiunea de operare prin introducerea numărului de articol (IAN) 403506\_2204.

---

1.	Обяснение на символите върху уреда .....	345
2.	Указание за потребителя .....	346
3.	Увод .....	347
4.	Описание на уреда .....	347
5.	Обем на доставката .....	348
6.	Употреба по предназначение .....	348
7.	Указания за безопасност .....	348
8.	Технически данни .....	354
9.	Преди пускане в експлоатация .....	354
10.	Пуск в експлоатация .....	357
11.	Приложение .....	359
12.	Транспортиране .....	362
13.	Почистване и поддръжка .....	362
14.	Съхранение .....	365
15.	Изхвърляне и рециклиране .....	366
16.	Отстраняване на неизправности .....	367
17.	Гаранция .....	368
18.	Изображение в разгъбен вид .....	398
19.	Декларация за съответствие .....	400

## 1. Обяснение на символите върху уреда

 <p>Прочетете, разберете и спазвайте всички предупредителни указания.</p>	 <p>Прочетете цялото ръководство за употреба, преди да използвате уреда.</p>
 <p>Предупреждение! Опасност от откат (обратен удар). Пазете се от откат на верижния трион и избягвайте контакт с върха на шината.</p>	 <p>Не използвайте уреда при дъжд или мокри условия.</p>
 <p>Носете предпазни очила. Носете защита за слуха.</p>	 <p>Носете предпазна каска.</p>
 <p>Винаги носете предпазни и анти-вибрационни ръкавици, когато използвате уреда.</p>	 <p>Винаги носете нехлъзгащи се предпазни обувки със защита от порязване, когато използвате уреда.</p>
 <p>Важно е да носите защитно облекло за стъпалата, краката, ръцете и предмишниците.</p>	 <p>Управлявайте верижния трион винаги с две ръце. Не работете с верижния трион с една ръка.</p>
 <p>Внимание! Използване на верижния трион в комбинация с технология за катерене по въже. Запознайте се с всички инструкции за работа, преди да започнете работата!</p>	 <p>Забранено е използването на открит огън на работното място!</p>
 <p>Отвор за зареждане с гориво. Смес масло и гориво 1:40</p>	 <p>Посока на въртене</p>
 <p>Капачка на резервоара за масло-то за смазване на веригата</p>	 <p>Настройка на спирачката на веригата: Бяла стрелка: спирачка на веригата неактивна Черна стрелка: спирачка на веригата активна</p>
 <p>Лост за студен старт (въздушен заслон на карбуратора)</p>	 <p>Освобождение на спирачката на веригата</p>
 <p>Активиране на спирачката на веригата</p>	 <p>Посока на монтаж на режещата верига</p>

	<p>Настройка на смазването на веригата</p>		<p>Гарантирано ниво на звукова мощност на уреда.</p>
	<p>Внимание! Горещи части.</p>		<p>Натиснете 6x горивната помпа (Primer).</p>
<p><b>ОПАСНОСТ</b></p>	<p>Сигнална дума за обозначаване на непосредствено опасна ситуация, която, ако не бъде избегната, ще доведе до смърт или сериозно нараняване.</p>		
<p><b>ПРЕДУПРЕЖДЕНИЕ</b></p>	<p>Сигнална дума за обозначаване на възможна опасна ситуация, която, ако не бъде избегната, може да доведе до смърт или сериозно нараняване.</p>		
<p><b>ВНИМАНИЕ</b></p>	<p>Сигнална дума за обозначаване на потенциално опасна ситуация, която, ако не бъде избегната, може да доведе до леки или средни наранявания.</p>		
<p><b>УКАЗАНИЕ</b></p>	<p>Сигнална дума за обозначаване на потенциално опасна ситуация, която, ако не бъде избегната, може да доведе до повреждане на продукта или имуществени щети.</p>		

## 2. Указание за потребителя

### ПРЕДУПРЕЖДЕНИЕ:

Преди първи пуск в експлоатация прочетете внимателно настоящото ръководство за експлоатация и задължително спазвайте правилата за техника на безопасност! Този трион за подрязване на дървета може да се обслужва само от „оператори на триони за подрязване на дървета, обучени допълнително за работи в подедни клетки и на стълби с кош, респ. с технология за катерене по въже“!

Съхранявайте грижливо ръководството за експлоатация!

### Указание:

Моля, имайте предвид, че някои национални разпоредби може да ограничават използването на машината.



Този трион за подрязване на дървета е специално проектиран за поддръжка на дърветата и дървесна хирургия. Всички работи с триона за подрязване на дървета са специално проектирани за поддръжка на дървета и дървесна хирургия. Всички работи с този трион за подрязване на дървета трябва да се извършват само от обучени оператори на триони за подрязване на дървета!

### 3. Увод

#### ПРОИЗВОДИТЕЛ:

**Scheppach GmbH**

Günzburger Straße 69

D-89335 Ichenhausen, Германия

#### УВАЖАЕМИ КЛИЕНТИ,

Желаем Ви много приятни моменти и успехи при работата с Вашия нов уред.

#### УКАЗАНИЕ:

Съгласно действащия закон за продуктовата отговорност, производителят на този уред не носи отговорност за щети, възникнали по или поради този уред, при:

- неправилно боравене,
- неспазване на ръководството за обслужване,
- ремонти от неупълномощени специалисти, явяващи се трети лица,
- вграждане и подмяна на не оригинални резервни части,
- употреба не по предназначение.

#### Обърнете внимание:

Преди монтажа и пускането в експлоатация прочетете целия текст на ръководството за обслужване.

Целта на това ръководство за употреба е да Ви улесни при запознаването с Вашия уред и използването на неговите възможности за употреба съгласно предписанията.

Ръководството за употреба съдържа важни указания относно безопасната, правилната и икономичната работа с уреда, избягването на опасности, спестяването на разходи за ремонт, намаляването на времената на престой и увеличаването на надеждността и експлоатационния живот на електрическия инструмент.

В допълнение към указанията за безопасност в това ръководство за употреба, задължително трябва да спазвате отнасящите се до експлоатацията на уреда предписания във Вашата страна.

Съхранявайте ръководството за употреба при уреда, защитено от замърсяване и влага в пластмасова торбичка. То трябва да бъде прочетено и внимателно спазвано от всеки оператор преди започване на работа.

С уреда могат да работят само лица, които са инструктирани относно употребата на уреда и са запознати със свързаните с това опасности. Изискваната минимална възраст трябва да се спазва.

Освен съдържащите се в това ръководство за експлоатация указания за безопасност и специалните разпоредби във Вашата страна, при работата с машини трябва да се спазват и общопризнатите правила на техниката.

Не поемаме отговорност за злополуки или щети, възникнали поради неспазване на това ръководство или на указанията за безопасност.

### 4. Описание на уреда

1. Режеща верига
2. Направляваща шина
3. Предна защита на ръцете
4. Горивна помпа „Primer“
5. Лост за газта
6. Задна ръкохватка
7. Блокировка на лоста за газ
8. Стартова възжена система
9. Капак на въздушния филтър
10. Закопчалка за капака на въздушния филтър
11. Ключалка за резервоара за маслото за смазване на веригата
12. Предна ръкохватка
13. Ключалка за горивния резервоар
14. Лост за студен старт (въздушен заслон на карбуратора)
15. Превключвател за включване/изключване
16. Скрепителни гайки
17. Капак на верижното колело
18. Шумозаглушител
19. Приспособление за окачване
20. Ключ за запалителната свещ / отвертка за винтове с шлицова глава
21. Капак за направляващата шина
22. Смесителен резервоар
23. Винт за обтягане на веригата
24. Зъбчата опора
25. Уловител за верига
26. Щифт за обтягане на веригата
27. Верижно колело
28. Направляващ жлеб
29. Крепежен болт
30. Зъбно колело
31. Отвор за смазване
32. Винт за регулиране на маслото
33. Въздушен филтър
34. Запалителна свещ
35. Лула на запалителна свещ
36. Смукателна глава

## 5. Обем на доставката

- Трион за подрязване на дървета
- Режеща верига
- Направляваща шина
- Капак за направляващата шина
- Ключ за запалителната свещ / отвертка за винтове с шлицова глава
- Смесителен резервоар

## 6. Употреба по предназначение

Този уред е особено лек, удобен трион за подрязване на дървета с ръкохватка отгоре. Този трион за подрязване на дървета в специално разработен за дървесна хирургия и поддръжка на дървета. Следователно тези триони за подрязване на дървета може да се обслужват само от „оператори на триони за подрязване на дървета, обучени допълнително за работи в подземни клетки и на стълби с кош, респ. с технология за катерене по въже“.

За случайна употреба в тънка дървесина, поддръжка на овошни дървета, кастрене, рязане по дължина.

Дървата за огрев могат да се обработват само ако диаметърът на дървото не надвишава дължината на рязане (20 cm).

За тези работи препоръчваме обикновен моторен трион с дълга ръкохватка, респ. дължина на рязане.

Кой не трябва да използва уреда:

Лица, които не са запознати с ръководството за употреба, деца под 16-годишна възраст и лица, които са под влияние на алкохол, наркотици или лекарства, уморени са или са болни.

Уредът е предназначен само за рязане на дървесина. Производителят не носи отговорност за щети, причинени от употреба не по предназначение или неправилно обслужване.

Уредът може да се използва само съгласно своето предназначение. Всяка различаваща се от това употреба не е по предназначение. За всякакъв вид произтичащи от това щети или наранявания отговорност носи потребителят/операторът, а не производителят.

Съставна част от употребата по предназначение е също и спазването на указанията за безопасност, както и ръководството за монтаж и указанията за експлоатация в ръководството за експлоатация.

Лицата, които обслужват и поддържат уреда, трябва да са запознати с него и да са информирани относно възможните опасности.

Освен това трябва да се спазват най-точно и действащите предписания за трудова безопасност.

Други общи правила в областите трудова медицина и техника на безопасност също трябва да се съблюдават. Промените по уреда освобождават изцяло производителя от отговорност за възникнали в резултат от това щети.

Моля, обърнете внимание, че нашите уреди не са конструирани с предназначение за търговска, професионална или промишлена употреба. Не поемаме гаранция, ако уредът се използва в търговски, занаятчийски или промишлени предприятия, както и при равностилни дейности.

### ОПАСНОСТ

Съгласно действащия закон за продуктовата отговорност, производителят на този уред не носи отговорност за щети, възникнали по или поради този уред, при:

- вграждане и подмяна на не оригинални резервни части,
- премахване или модифициране на защитни компоненти.

### 6.1 Употреба не по предназначение

- Този уред не е подходящ за сеч.
- Не използвайте направляващата шина като лост за преместване на стволите на дървета или подобни.
- Не е разрешено рязане на дървесина с диаметър над 20 cm.

## 7. Указания за безопасност

### 7.1 Общи указания

#### ПРЕДУПРЕЖДЕНИЕ

Бъдете внимателни, обръщайте внимание на това, което правите, и подхождайте разумно към работата с уреда. Не използвайте уреда, ако сте болни или уморени, или сте под влиянието на наркотици, алкохол или медикаменти. Момент невнимание при използването на уреда може да доведе до сериозни наранявания.

Избягвайте неправилна експлоатация, използвайте машината само така, както е описано в глава „Използване по предназначение“.

Ръководството за употреба съдържа важни указания за това, как да работите безопасно и професионално с верижния трион и как да избягвате опасности.

Ако въпреки това се стигне до запушване между отрязания материал и режещата верига, незабавно изключете веригата. Изчаквайте режещата верига да спре. Снемете лупата на запалителната свещ и си сложете ръкавици, устойчиви на срязване, за отстранение на запушването. Ако направляващата шина (нож) трябва да се смене, следвайте описаните в глава „Монтаж“ указания. След отстраняване на запушването и повторния монтаж трябва да се извърши повторно пускане.

Ако констатирате вибрации или механичен шум, спрете работа и се свържете с оторизиран сервизен център. Ако тази опасност се появява по-често, препоръчваме повторно обучение.

- Преди пуск в експлоатация прочетете ръководството за експлоатация на Вашия уред и обърнете особено внимание на указанията за безопасност.
- Монтираните на уреда предупредителни и указателни табелки съдържат важна информация за безопасна работа.
- Освен указанията в ръководството за експлоатация трябва да се спазват и общите предписания за безопасност и предотвратяване на нещастни случаи.
- Дръжте опаковъчните фолиа далече от деца, съществува опасност от задушаване!
- Недостатъчно информирани оператори могат да застрашат себе си и другите чрез неправилна употреба. Операторът е отговорен за трети лица.
- Преди да започнете работа, проверете функционирането на лоста за газта. Той трябва автоматично да се върне в неутрално положение след като бъде пуснат.
- Не работете повече от 10 минути непрекъснато. Препоръчително е да правите почивка от 10 до 20 минути между работните цикли.
- Заемайте уреда само на потребители, които имат опит с него. Трябва да му предадете и ръководството за експлоатация.
- Някои задачи за рязане изискват специално обучение и особени умения. Ако имате съмнения, обърнете се към специалист.
- Първите потребители трябва да бъдат инструктирани, за да се запознаят с качествата на уреда. За Ваша безопасност посетете държавен курс за боравене с верижни триони.

- Когато не се използва, уредът трябва да е оставен така, че да не застрашава никого. Осигурете срещу неотроризиран достъп.
- Потребителят на уреда е отговорен за всички злополуки и опасности, които увреждат хората или тяхното имущество.
- Децата, юношите и хора с намалени физически, сензитивни или умствени способности не могат да използват верижния трион. Изключения съществуват само за младежи над 16-годишна възраст като част от обучението им под наблюдението на специалист.
- Системата за електрическо запалване на уреда генерира ниско електромагнитно поле. Ако имате пейсмейкър или други подобни импланти, консултирайте се с Вашия лекар, преди да използвате уреда, за да избегнете рисковете за здравето.
- Имайте предвид, че при неправилна поддръжка, използване на несъвместими резервни части или отстраняване или модификации на предпазните устройства може да се стигне до повреда на уреда или сериозни наранявания на лицето, което работи с него.

## 7.2 Лични предпазни средства (ЛПС)

### ОПАСНОСТ

Винаги носете лични предпазни средства (ЛПС), като защита на очите (козирка или очила), защита на главата, ръцете, краката и стъпалата, подходящи за катерене по дърветата!

- Носете предпазна каска със защита за лицето, респ. защитни очила и защита за слуха.
- Носете плътно прилепнали предпазни дрехи с вложка за защита срещу порязвания.
- Носете предпазни обувки с подметки против подхлъзване.
- Носете предпазни ръкавици.
- Избягвайте широки дрехи, които могат да се заплетат.
- Не носете шалове, вратовръзки или бижута!
- При дълги коси използвайте мрежа за коса!
- Носете предпазна каска, когато работите в гората. Тя предлага защита срещу падащи клони. Редовно проверявайте предпазната каска за повреди. Тя трябва да бъде сменена най-късно след 5 години. Използвайте само проверени предпазни каски.
- Защитата за лице, респ. защитните очила пазят от дървесни стърготини и трески. За да избегнете наранявания на очите, винаги носете защита за лицето, респ. защитни очила, когато работите с уреда.
- Винаги носете защита за слуха. Издаваният от уреда шум може да доведе до увреждане на слуха.
- Носете здрави предпазни ръкавици, произведени от устойчив материал, като напр. кожа.

- При рязане на сух дървесен материал винаги носете прахов респиратор. Може да се стигне до образуване на стърготини.
- При работа на дърво потребителят може да падне. Потребителят може да бъде сериозно наранен или убит. Носете оборудване за защита от падане.

### 7.3 Съхранение и транспортиране

- Изключвайте верижния трион преди всяко транспортиране, дори и на близки разстояния. Включете спиратката на веригата и поставете предпазителя на веригата.
- Използвайте предпазителя на веригата при транспортиране и съхранение.
- По време на транспортиране (дори и в превозни средства) осигурявайте машината срещу преобръщане, за да избегнете загуба на гориво, повреди или наранявания.
- Носете уреда само за предната ръкохватка. При това направляващата шина сочи назад, далеч от тялото ви.
- Дръжте горещия шумозаглушител далеч от тялото си. Съществува опасност от изгаряне!
- Преди съхранение почиствайте и поддържайте верижния трион.
- Съхранявайте уреда на безопасно и сигурно място. Също така го осигурете срещу неоторизиран достъп.

### 7.4 Екологична сигурност

- Националните и / или местните разпоредби могат да ограничат използването на уреди, генериращи шум или задвижвани от двигател. Получете информация от местните власти.
- Уредът не трябва да се използва във вътрешни помещения или в други помещения с лоша вентилация. Съществува риск от задушаване от токсичните отработени газове/парите от смазочното масло.
- Работете само на дневна светлина.
- Освен това не работете при неблагоприятни метеорологични условия, като напр. дъжд или вятър. Съществува повишен риск от злополуки.
- Поддържайте работното си място чисто и подредено.
- Дръжте децата, другите хора и животните далеч преди и по време на работа. При разсейване можете да изгубите контрола върху уреда.
- Преди да започнете работа се уверете, че в опасната зона няма хора, животни или други вещи.
- Не работете в близост до телени огради или в зони с разхлабени телове.

- Осигурете противопожарни средства, когато работите в леснозапалима среда, като напр. при суха трева и т.н. Съществува опасност от пожар!

### 7.5 Пълнене на гориво

- Бензинът е леснозапалим. При зареждане на гориво поддържайте безопасно разстояние до открития огън и не пушете. Съществува опасност от пожар!
- Внимавайте да не разлеее бензин. В почвата не трябва да попадат бензин или масло за смазване на веригата. Използвайте подходящи повърхности като помощни средства.
- Зареждайте с гориво само в добре вентилирани зони. Бенизиновите изпарения могат да се запалят лесно или да експлодират.
- Преди зареждане с гориво изключвайте двигателя и оставете уреда да се охлади. Ако разлеее бензин, незабавно почистете засегнатите места. Не позволявайте върху дрехите Ви да попадне гориво, в противен случай веднага сменете дрехите си.
- Също така избягвайте контакт на кожата и очите с бензина или смазочните материали (масло).
- Не вдихвайте бенизиновите изпарения/парите от смазочното масло.
- Проверете за течове. При теч на бензин не стартирайте двигателя. Съществува опасност от изгаряния.
- Отваряйте капачката на резервоара внимателно, така че съществуващото свръхналягане да се изпусне бавно и да се избегне избликване на бензина.

### 7.6 Преди пускане в експлоатация

#### ПРЕДУПРЕЖДЕНИЕ

Винаги извършвайте проверките преди пуск в експлоатация и при изключен двигател.

Преди всяка употреба или след падане на земята проверявайте уреда за състояние на безопасна експлоатация. Проверете дали всички подвижни части функционират безупречно. Много злополуки са причинени от лошо поддържани инструменти. Повредените части следва да бъдат ремонтирани от квалифицирани специалисти. Използвайте верижния трион и принадлежностите само съгласно настоящите указания. При това вземайте под внимание условията на работа и действието, което трябва да се извърши. Употребата на инструментите, задвижвани от двигател, за различни от предвидените приложения може да доведе до опасни ситуации.



- Редовно проверявайте функционалната способност на спирачката на веригата (предна защита на ръцете, виж Фиг. 2).
- Проверете дали направляващата шина е монтирана правилно.
- Проверете дали режещата верига е обтегната правилно. Следвайте указанията за смазване, обтягане на веригата и смяна на принадлежностите. Неправилно обтегнатата или неправилно смазаната верига може да се скъса или да увеличи риска от откат.
- Поддържайте режещите инструменти наточени и чисти. Редовно донаточвайте или редовно сменяйте износените части. Грижливо поддържаните режещи инструменти с остри режещи ръбове се заклинват по-малко и се водят по-лесно.
- Проверявайте лесноподвижността на лоста за газта или блокировката на лоста за газта. Лостът за газта трябва да отпружира в изходна позиция.
- Проверете дали в резервоара има достатъчно количество гориво и масло за смазване на веригата.
- Проверете дали дръжките са чисти, сухи и чисти от масло и мръсотия.
- Никога не работете сами. В спешен случай трябва да има някого наблизо.
- Използвайте верижния трион само ако седите върху твърда, сигурна и равна основа. Избягвайте неправилна стойка на тялото. Хлъзгавата повърхност или нестабилните опорни повърхности (напр. на стълба) могат да доведат до загуба на равновесие или до загуба на контрол над верижния трион. Осигурете си стабилен стоеж и постоянно пазете равновесие. Така можете да контролирате верижния трион по-добре в неочаквани ситуации.
- Не работете с верижния трион върху дърво. При работа върху дърво съществува опасност от нараняване.
- Никога не режете над височината на раменете.
- Винаги дръжте верижния трион с дясната си ръка на задната дръжка, а лявата - на предната. Държането на верижния трион в противоположно работно положение увеличава риска от нараняване и не трябва да се използва.
- Дръжте всички части на тялото си далеч от режещата верига, докато верижният трион работи. Преди да стартирате верижния трион се уверете, че режещата верига не се докосва до нищо. Момент на невнимание по време на работа с верижния трион може да доведе до захващане на дрехите или части на тялото от режещата верига.

- Изключете незабавно верижния трион, ако забележите видими промени в поведението на уреда.
- Ако верижният трион е влезнал в контакт с камъни, гвоздеи или други твърди предмети, незабавно изключете двигателя и проверете режещата верига и направляващата шина за повреди.
- Не изпускате верижния трион, не го удряйте в препятствия и никога не използвайте направляващата шина като лост.
- С верижния трион режете само дърво.
- Когато режете клон, който е под напрежение, имайте предвид, че той може да отпружира. Когато напрежението в дървесните влакна се освободи, клонът, който е под напрежение, може да удари оператора и/или да извади верижния трион от контрол.
- Бъдете особено внимателни, когато режете хресталаци или млади дървета. Тънкия материал може да се заплете в режещата верига и да Ви удари или извади от равновесие.

## 7.7 Вибрации

### ПРЕДУПРЕЖДЕНИЕ

Избягвайте рисковете от вибрациите, напр. риска от „синдрома на белия пръст“ (нарушения на кръвообращението), правейки чести почивки, по време на които напр. триете дланите си една в друга.

- Винаги носете предпазни ръкавици и се грижете ръцете Ви да са топли.
- Уверете се, че веригата винаги е остра.
- Редовни правете почивки.

## 7.8 Предпазни мерки срещу откат

### ПРЕДУПРЕЖДЕНИЕ

По време на работа следете за откат на уреда. Съществува опасност от нараняване. Ще избегнете откати чрез повишено внимание и правилна техника на рязане.

- В някои случаи докосване с върха на шината може да доведе до неочаквана, насочена назад реакция, при която направляващата шина се отхвърля нагоре и в посока към оператора.
- Може да се появи откат, когато върхът на направляващата шина докосне предмет или когато дървото се огъне и режещата верига се заклини в разреза.

- Заклинването на режещата верига е горния ръб на направляващата шина може бързо и неконтролирано да отблъсне верижния трион в посока на работата.
- Заклинването на режещата верига в долния ръб на направляващата шина може бързо и неконтролирано да издръпа верижния трион от посоката на работата.
- Бъдете изключително внимателни, когато използвате веригата на верижния трион, за да продължите да режете във вече започнатия разрез.
- Не режете клони или парчета дърво, които могат да променят позицията си по време на процеса на рязане или при които разрезът се затваря при рязане.
- Всяка от тези реакции може да доведе до загуба на контрол над триона и евентуално сериозно нараняване. Не разчитайте само на предпазните устройства, монтирани върху верижния трион. Като потребител на верижния трион не предприемайте мерки с цел предотвратяване на злополуки и наранявания.

Откатът е следствие от грешна или неправилна употреба. Той може да бъде избегнат чрез подходящи предпазни мерки, описани по-долу:

- Хванете верижния трион с две ръце, като палецът и пръстите обхващат дръжките на верижния трион. Поставете тялото и ръцете си в положение, в което можете да издръжите на откатните сили. Ако бъдат предприети подходящи мерки, операторът може да контролира откатните сили. Никога не пускайте верижния трион.
- Избягвайте необичайна стойка и никога не режете над височината на раменете. По този начин се избягва неволнен контакт с върха на шината и се гарантира по-добър контрол върху верижния трион при неочаквани ситуации.
- Винаги използвайте само препоръчаните от производителя резервни части и режещи вериги. Грешните резервни шини и режещи вериги могат да доведат до скъсване на режещата верига и/или до откат.
- Придържайте се към инструкциите на производителя за точене и поддръжка на режещата верига. Твърде ниските ограничители на дълбочината увеличават предразположението към образуване на откат.
- Никога не режете с наконечник. Съществува опасност от откат. (Фиг. 7)
- Уверете се, че в зоната на рязане няма гвоздеи или метални парчета. По-специално внимавайте за гвоздеи или железни парчета около зоната на рязане. Внимавайте и при рязането на твърде дървета, при които веригата може да се заплете. Това може да доведе до откат.

- Започнете рязането с пълна сила и по време на рязането поддържайте максимална скорост на верижния трион.
- Уверете се, че на земята няма предмети, в които можете да се спънете.

## 7.9 Подход и техника при работа

- Работете само при добра видимост и светлинни условия. Бъдете особено внимателни при хлъзгав и мокър терен, лед и сняг (опасност от подхлъзване). Има повишен риск от подхлъзване върху прясно обелена дървесина (кора).
- Никога не работете върху нестабилни основи. Внимавайте за препятствия в работната зона, риск от спъване. Винаги, когато работите заемайте стабилна и сигурна стойка.
- Никога не режете над височината на раменете.
- Никога на режете, стойки на стълба.
- Никога не се качвайте на дърво с верижния трион без подходящи системи за обезопасяване на човека и машината. Винаги препоръчваме работата да се извършва от работна платформа.
- Не работете твърде приведени.
- Водете верижния трион така, че нито една част от тялото ви да не се намира в удължената зона на извъртане на режещата верига.
- С верижния трион режете само дървесина.
- Не докосвайте земята с въртяща се режещата верига.
- Почистете зоната на изреза от чужди предмети като пясък, камъни, пирони и т.н. Чуждите тела повреждат устройството за рязане и могат да доведат до опасен откат (обратен удар), както и да бъдат изхвърлени.
- При рязане на бичен дървен материал използвайте сигурна опора (магаре за рязане на дърва, ако е необходимо). Дървесината не бива да се държи с крак или от друго лице.
- Облгат дървен материал трябва да се осигури срещу усукване в изреза.
- Никога не работете без зъбчата опора, верижният трион може да дръгне оператора напред. Използвайте зъбчатата опора за рязане на стволоче или дебели клони. Използването на зъбчатата опора повишава безопасността при работа, намалява личния стрес по време на работа и намалява вибрациите.
- При сечене и рязане по дължина зъбната лайсна (зъбчатата опора) трябва да бъде поставена върху дървото, което ще се реже. Използването на зъбна лайсна също се препоръчва за прерязване на дебели клони.

- Преди всяко рязане по дължина, позиционирайте стабилно зъбната лайдсна, едва след това режете в дървото с работеща режещата верига. При това трионът се повдига за задната дръжка и се направлява с С-образната дръжка. Зъбната лайдсна служи като точка на въртене. Преместването става с леко натискане върху С-образната дръжка. При това дърпайте верижния трион малко назад. Поставете зъбната лайдсна по-надолу и повдигнете отново задната дръжка.
- Внимавайте при рязане на разцепена дървесина. Възможно е да се изхвърлят отрязани парчета дървен материал (опасност от нараняване).
- При рязане с горната част на шината верижният трион може да бъде изхвърлен към оператора, ако режещата верига се заклини. Затова по възможност би следвало да се реже с долната страна на шината, тъй като верижният трион се дърпа от тялото по посока на дървото.
- Намиращото се под напрежение дърво винаги първо трябва да се реже от страната на натиска. Едва след това може да се направи разделящия разрез от страната на обтягане. По този начин се избягва заклиняване на шината.
- Когато работите в дървото, резачката може да падне. Възможно е сериозно нараняване на хора и нанасяне на материални щети. Осигурете моторния трион с помощта на приспособлението за окачване.
- Преди режещата верига да бъде насочена в зоната на рязане, моторният трион може да се плъзне настрани или да скочи.

## ВНИМАНИЕ

### Повишена опасност от откат!

За да поддържате пълен контрол в момента на „прерязване“, намалете натиска към края на разреза, без да разхлабвате здравата хватка на ръкохватките на верижния трион. Уверете се, че режещата верига не докосва земята. След като приключите с рязането, изчакайте режещата верига да спре, преди да свалите верижния трион. Винаги изключвайте двигателя на верижния трион, преди да преминете от дърво на дърво.

## ПРЕДУПРЕЖДЕНИЕ

В случай на продължителна работа може да се стигне до нарушения на кръвообращението (синдром на белия пръст), дължащи се на вибрации в ръцете на оператора.

Синдромът на Рейно е съдово заболяване, при което малките кръвоносни съдове на пръстите на ръцете и краката се свиват спазматично. Засегнатите участъци не се захранват достатъчно с въздух и поради тази причина изглеждат много бледи. Честото използване на вибриращи уреди може да причини увреждане на нервите при лица, чието оросяване на крайниците е нарушено (на пример пушачи, диабетици).

Ако забележите някакво необичайно увреждане, незабавно прекратете работата си и се консултирайте с лекар.

Съблюдавайте следните указания, за да намалите опасностите:

- В студено време дръжте тялото си, и особено ръцете, топли.
- Правете редовни почивки и движете ръцете си, за да стимулирате кръвообращението.
- Осигурете възможно най-ниска вибрация на машината чрез редовна поддръжка и здраво закрепени части на уреда.

## 7.10 Остатъчни рискове

### ОПАСНОСТ

#### ОПАСНОСТ ОТ НАРАНЯВАНЕ!

Контактът с режещата верига може да доведе до смъртоносни прорезни рани.

Никога не посягайте с ръце към движеща се режещата верига.

#### ОПАСНОСТ ОТ ОТКАТ!

Откатът може да доведе до смъртоносни прорезни рани.

#### ОПАСНОСТ ОТ ИЗГАРЯНЕ!

Веригата и направляващата шина се нагряват по време на работа.

**Уредът е конструиран съгласно нивото на развие на техниката и признатите правила на техника на безопасност. Въпреки това, при работа могат да възникнат отделни остатъчни рискове.**

Освен това, въпреки всички взети предпазни мерки, могат да съществуват неяви остатъчни рискове.

Остатъчните рискове могат да бъдат намалени, ако бъдат спазвани „Указанията за безопасност“ и „Употребата по предназначение“, както и ръководството за употреба като цяло.

## 8. Технически данни

Машина без нож

Дължина x Ширина x Височина.....	270 x 230 x 240 mm
Тегло незареден, без режеща гарнитура ок.....	3,4 kg
Тегло зареден, с режеща гарнитура ок.....	3,8 kg
Резервоар за смазочно масло за вериги.....	0,16 l
Вместимост на резервоара за гориво.....	0,23 l
Смес масло и гориво.....	1:40
Дължина на рязане.....	20 cm
Дължина на ножа.....	30 cm
Автоматично смазване на веригата.....	да
Стъпка на веригата.....	3/8" (9,525 mm)
Дебелина на звеното на веригата.....	1,27 mm
Тип на веригата.....	3/8LP-40
Брой зъбци на колелото на задвижващата верига.....	6
Стъпка на зъбците на колелото на задвижващата верига.....	3/8"
Тип на ножа.....	AP10-40-509P
Макс. скорост на веригата.....	21 m/s
Двигател...1 цилиндър, 2 тактов, с въздушно охлаждане	
Работен обем на двигателя.....	25,4 cm <sup>3</sup>
Макс. мощност на двигателя	
съгласно ISO 7293.....	0,7 kW
Обороти на празен ход $n_0$ .....	3300 ± 300 min <sup>-1</sup>
Максимални обороти с режеща гарнитура.....	11000 min <sup>-1</sup>
Запалителна свещ.....	L8RTC

**В зависимост от употребата и дейностите, които трябва да се извършат, нивото на звуковото налягане трябва да бъде намалено до такава степен, че да не се увреди здравето на оператора. Нивото на звуково налягане на работното място може да надвиши 80 dB. В този случай операторът трябва да вземе мерки за защита от шум (напр. носене на защита за слуха).**

**Ограничавайте образуването на шум и вибрации до минимум!**

- Използвайте само изправни уреди.
- Поддържайте и почиствайте редовно уреда.
- Съобразявайте начина си на работа спрямо уреда.
- Не претоварвайте уреда.
- При нужда възлагайте проверка на уреда.
- Изключвайте уреда, когато той не се използва.
- Носете ръкавици.

Измерено ниво на звуково налягане $L_{PA}$ .....	99,2 dB
Неопределеност $K_{PA}$ .....	3 dB
Гарантирани ниво на звукова мощност $L_{WA}$ .....	113 dB
Измерено ниво на звукова мощност $L_{WA}$ .....	108,7 dB
Неопределеност $K_{WA}$ .....	3 dB

Вибрация, предна ръкохватка.....	8,98 m/s <sup>2</sup>
Вибрация, задна ръкохватка.....	8,03 m/s <sup>2</sup>
Неопределеност.....	1,5 m/s <sup>2</sup>

### Носете защита за слуха.

Въздействието на шум може да причини загуба на слуха.

Посочените стойности на шумови емисии са измерени по стандартен метод на изпитване и може да бъдат използвани за сравнение на един уред с друг.

Посочените стойности на шумови емисии могат да се използват и за предварителна оценка на натоварването.

### Предупреждение:

- По време на действителното използване на уреда стойностите на шумови емисии може да се различават от посочената стойност в зависимост от вида и начина, по който уредът се използва, и по-специално какъв вид детайл се обработва.
- Опитайте се да поддържате натоварването възможно най-ниско. Примерни мерки за ограничаване на времето на работа. При това трябва да се вземат под внимание всички части на работния цикъл (например времената, през които уредът е изключен, и такива, в които той е включен, но работи без натоварване).

## 9. Преди пускане в експлоатация

1. Отворете опаковката и внимателно извадете уреда.
2. Отстранете опаковъчния материал, както и опаковъчните и транспортните осигуровки (ако има такива).
3. Проверете дали обемът на доставката е пълен.
4. Проверете уреда и принадлежностите за повреди от транспортирането.
5. По възможност запазете опаковката до изтичане на гаранционния срок.
6. Свалете краткото ръководство на стартовата въже-на система (8).

## ВНИМАНИЕ

Уредът и опаковъчните материали не са играчка за деца! Деца не бива да играят с пластмасови торбички, фолио и дребни части! Съществува опасност от поглъщане и задушаване!

### 9.1 Монтаж на направляващата шина (2) и режещата верига (1)

#### ПРЕДУПРЕЖДЕНИЕ

#### Опасност от нараняване!

Винаги носете предпазни ръкавици, когато докосвате режещата верига (1). Опасност от нараняване поради остри режещи зъби!

Използвайте само одобрени комбинации от режеща верига (1) и направляваща шина (2) (виж глава „Одобрени режещи гарнитури“).

Винаги извършвайте монтажа при изключен двигател.

#### Указание

Новата режеща верига (1) се удължава и трябва често да бъде дообтягана. Проверявайте редовно обтягането на веригата и я донастройвайте.

Направляващата шина (2) може да се обърне според износването.

1. Поставете верижния трион върху равна, стабилна повърхност.
2. Издърпайте предната защита на ръцете (3) до ограничителя назад, за да освободите спирачката на веригата. (Фиг. 2)
3. Свалете двете скрепителни гайки (16) с ключа за запалителната свещ (20).
4. Свалете капака на верижното колело (17).
5. Завъртете винта за обтягане на веригата (23) наляво (обратно на часовниковата стрелка), докато шифтът за обтягане на веригата (26) застане в десния ограничител (Фиг. 3). За да направите това, използвайте отвертка с шлицова глава (20).
6. Плъзнете надлъжния канал на направляващата шина (2) над двата крепежни болта (29).
7. Поставете режещата верига (1) над зъбите на верижното колело (27). Вкарайте режещата верига (1) точно в посоката, посочена върху направляващата шина (2). На върха на направляващата шина (2) има зъбно колело (30), в чийто зъби трябва да се постави режещата верига (1). (Фиг. 6 и 18)

8. Издърпайте леко направляващата шина (2), за да обтегнете леко режещата верига (1).
9. Поставете отново капака на верижното колело (17). Уверете се, че разположеният вътре шифт за обтягане на веригата (26) пасва в съответния отвор на направляващата шина (2). Ако е необходимо, настройте винта за обтягане на веригата (23) с отвертката за винтове с шлицова глава (20).
10. Завинтете двете скрепителни гайки (16) на ръка. Уверете се, че те все още не са затегнати. Закрепващите гайки (16) се затягат само след обтягане на режещата верига (1).

### 9.2 Обтягане и проверка на режещата верига (1)

#### ПРЕДУПРЕЖДЕНИЕ

Носете предпазни ръкавици! Опасност от нараняване поради остри режещи зъби!

Проверявайте редовно обтягането на веригата преди всеки пуск в експлоатация.

Винаги извършвайте проверките преди стартиране на двигателя и при изключен двигател.

1. Преди обтягането трябва леко да разхлабите двете скрепителни гайки (16) с ключа за запалителната свещ (20).
2. Завъртете винта за обтягане на веригата (23) с отвертката за винтове с шлицова глава (20) по посока на часовниковата стрелка, за да увеличите обтягането.
3. Затегнете двете скрепителни гайки (16) с ключа за запалителната свещ (20).
4. Режещата верига (1) трябва да приляга към долната страна на ножа. Проверете дали режещата верига (1) (при освободена спирачката на веригата, дрълнете назад предната защита на ръцете (3)) може да бъде изтеглена на ръка над направляващата шина (2).

#### УКАЗАНИЕ

Новата режеща верига (1) се удължава и трябва често да бъде дообтягана.

### 9.3 Смесване на горивото

Двигателят трябва да се експлоатира с горивна смес от бензин и двигателно масло.

## **⚠ ПРЕДУПРЕЖДЕНИЕ**

Избягвайте директен контакт с горивото и вдишване на горивните изпарения.

Използвайте само смес от безоловен бензин (мин. ROZ 95) и специално 2-тактово двигателно масло (JASO FD/ISO - L - EGD). Смесвайте горивната смес съгласно таблицата за смесване на горивото.

Изсипете правилното количество бензин и 2-тактово масло в приложения смесителен резервоар (22) (виж „Таблица за смесване на горивото“). След това разклатете добре смесителния резервоар (22).

### **9.3.1 Таблица за смесване на горивото**

**Метод на смесване: 40 части бензин към 1 част масло**

**Бензин.....2-тактово масло  
0,5 литра..... 12,5 ml**

### **9.4 Зареждане с гориво (Фиг. 8)**

## **⚠ ПРЕДУПРЕЖДЕНИЕ**

Зареждайте гориво само при изключен и охладен двигател. Съществува опасност от пожар!

1. Винаги почиствайте зоната около капачката на резервоара за гориво (13) преди да заредите с гориво, за да избегнете замърсяване на горивото. За целта използвайте суха кърпа без власинки.
2. Оставете уреда настрана, така че капачката на резервоара за гориво (13) да сочи нагоре.
3. Завъртете капачката на резервоара за гориво (13) обратно на часовниковата стрелка и я отворете. Капачката на резервоара за гориво (13) е свързана със защита срещу изгубване в резервоара за гориво и по този начин не може да падне.
4. Налейте горивна смес в резервоара за гориво. По време на зареждането не разливайте гориво и не пълнете резервоара за гориво догоре.
5. Незабавно избършете разлятото гориво.
6. Завъртете капачката на резервоара за гориво (13) по посока на часовниковата стрелка, за да я затворите.

### **УКАЗАНИЕ**

След всяко зареждане с гориво проверявайте и нивото на маслото за смазване на веригата.

### **9.5 Изпускане на гориво**

**Изпразвайте резервоара за гориво само на открито или в добре проветривани помещения. Внимавайте в почвата да не попадне гориво (опасване на околната среда). Използвайте подходяща подложка.**

1. Дръжте събирателен съд под резервоара за гориво.
2. Развийте и свалете капачката на резервоара за гориво (13).
3. Изпуснете напълно сместа от бензин и масло.
4. Затегнете отново капачката на резервоара за гориво (13) на ръка.

### **9.6 Пълнене на масло за смазване на верига (Фиг. 8)**

## **⚠ ПРЕДУПРЕЖДЕНИЕ**

Наливайте масло за режещата верига само при изключен и охладен двигател. Съществува опасност от пожар! Никога не работете, без да сте смазали веригата! Режещата гарнитура ще се разруши непоправимо за кратко време, ако режещата верига (1) работи на сухо.

Преди да започнете работа винаги проверявайте смазването на веригата.

### **УКАЗАНИЕ**

Използвайте само масло за режещата верига. За предпочитане биоразградимо. Не използвайте старо масло, двигателно масло и т.н.

По време на работа проверявайте дали смазването на веригата функционира.

1. Винаги почиствайте зоната около капачката на резервоара за маслото за смазване на веригата (11) преди да заредите с гориво, за да избегнете замърсяване на резервоара за маслото за смазване на веригата. За целта използвайте суха кърпа без власинки.
2. Оставете уреда настрана, така че капачката на резервоара за маслото за смазване на веригата (11) да сочи нагоре.
3. Завъртете капачката на резервоара за маслото за смазване на веригата (11) обратно на часовниковата стрелка и я отворете. Капачката на резервоара за маслото за смазване на веригата (11) е свързана със защита срещу изгубване в резервоара за маслото за смазване на веригата и по този начин не може да падне.

- Налейте био маслото за смазване на веригата в резервоара за маслото за смазване на веригата. По време на зареждането не разливайте масло за смазване на веригата и не пълнете резервоара за маслото за смазване на веригата догоре.
- Незабавно избършете разлятото масло за смазване на веригата.
- Завъртете капачката на резервоара за маслото за смазване на веригата (11) по посока на часовниковата стрелка, за да я затворите.

## 10. Пуск в експлоатация

### БЛАГОРАЗУМИЕ

Моля, обърнете внимание на законовите разпоредби на наредбата за защита от шум.

Проверявайте уреда преди всеки пуск в експлоатация за:

- течове от горивната система
- безупречно състояние и пълнота на защитните устройства и устройството за рязане
- неподвижността на всички винтови съединения
- подвижността на всички движещи се части

### Указания за работа

Преди употреба се запознайте с начина на боравене с верижния трион.

### 10.1 Стартиране на двигателя

#### ВНИМАНИЕ

Преди стартирането на двигателя се отдалечете най-малко на 3 метра от мястото на зареждане (Фиг. 9).

Винаги дърпайте стартовата въжена система (8) на право. Хванете здраво дръжката на стартовата въжена система (8), когато стартовата въжена система (8) се приближи отново. Никога не позволявайте на стартовата въжена система (8) да се върне обратно.

Веднага след стартиране на двигателя отпуснете лоста за газта (5). Уверете се, че оборотите на двигателя са паднали до обороти на празен ход, преди да освободите спирачката на веригата (бутнете защитата на ръцете (3) назад).

Дърпайте лоста за студен старт (смукач) (14) само за стартиране.

### 10.1.1 Стартиране при студен двигател

#### ПРЕДУПРЕЖДЕНИЕ

Включвайте спирачката на веригата преди всеки пуск в експлоатация (натиснете предната защитата на ръцете (3) напред).

#### ВНИМАНИЕ

Никога не позволявайте на стартовата въжена система (8) да се върне обратно. Това може да доведе до повреда.

- Свалете капака на направляващата шина (21).
- Поставете верижния трион върху стабилна и равна повърхност. Режещата верига (1) не трябва да докосва земята.
- Натискайте предната защита на ръцете (3) напред, докато се фиксира. Режещата верига (1) се блокира от спирачката на веригата.
- Натиснете 6x горивната помпа „Primer“ (4). (Фиг. 1)
- Поставете превключвателя за включване/изключване (15) на „ON“. (Фиг. 1)
- Дръпнете лоста за студен старт (смукач) (14). (Фиг. 10.2)
- Хванете здраво верижния трион за предната ръкохватка (12) и дръпнете стартовата въжена система (8) бавно, докато усетите първото съпротивление.
- Дърпайте бързо стартовата въжена система (8), докато двигателят се стартира. Ако двигателят не се стартира, повторете процеса. Докато лостът за студен старт (смукач) (14) е издърпан, двигателят се стартира за кратко и след това отново изгасва.
- Докато двигателят е изключен, задействайте едновременно блокировката на лоста за газта (7) и лоста за газта (5). Лостът за автоматичен старт (смукач) (14) автоматично отскача в работно положение „Топъл старт“. (Фиг. 10.1)
- Дърпайте отново бързо стартовата въжена система (8), докато двигателят се стартира.

Ако двигателят не се стартира след няколко опита, прочетете глава „Помощ при отстраняване на неизправности“.

#### УКАЗАНИЕ

Ако външната температура е висока, може да се наложи да стартирате двигателя без лоста за студен старт (смукач) (14), дори ако двигателят е студен!

- Освободете спирачката на веригата, като дръпнете назад предната защита на ръцете (3). (Фиг. 2)
- **БЛАГОРАЗУМИЕ!** Спирачката на веригата вече е освободена. Режещата верига (1) ще започне да се движи, ако лостът за газта (5) се задейства заедно с блокировката на лоста за газта (7).

### 10.1.2 Стартиране при топъл двигател (Уредът не е работил за по-малко от 15–20 минути.)

#### ⚠ ПРЕДУПРЕЖДЕНИЕ

Включвайте спирачката на веригата преди всеки пуск в експлоатация (натиснете предната защитата на ръцете (3) напред).

1. Натиснете предната защита на ръцете (3) напред, докато се фиксира. Режещата верига (1) се блокира от спирачката на веригата.
2. Поставете превключвателя за включване/изключване (15) на „ON“.
3. Лостът за студен старт (смукача) (14) не трябва да се дърпа за стартиране на топлия двигател.
4. Хванете здраво верижния трион за предната ръкохватка (12) и дръпнете стартовата въжена система (8) бавно, докато усетите първото съпротивление.
5. Дръпнете бързо стартовата въжена система (8). Уредът трябва да се стартира след 1–2 дръпвания. Ако уредът все още не се стартира след 6 дръпвания, повторете процеса, описан в „Стартиране при студен двигател“.

### 10.2 Спрете двигателя

#### 10.2.1 Последователност от стъпки за аварийно изключване

Ако е необходимо, веднага спрете уреда, за целта поставете превключвателя за включване/изключване (15) на „OFF“. (Фиг. 1)

#### 10.2.2 Нормална последователност от стъпки

1. Пуснете лоста за газта (5). Двигателят превключва в обороти на празен ход.
2. Поставете превключвателя за включване/изключване (15) на „OFF“. (Фиг. 1)

### 10.3 Експлоатация на празен ход

#### ⚠ ВНИМАНИЕ

Режещата верига (1) трябва да спре на празен ход.

#### УКАЗАНИЕ

Карбураторът трябва да се настрои, ако режещата верига (1) се движи на празен ход или двигателят изгасва автоматично при отнемане на газта (виж глава „Поддръжка на настройките на карбуратора“).

1. Вдигнете верижния трион.
2. С лявата ръка хванете здраво предната ръкохватка (12).
3. С дясната ръка хванете здраво задната ръкохватка (6). Дланта е върху блокировката на лоста за газта (7), а показалецът задейства лоста за газта (5).
4. След еднократно задействане на лоста за газта (5) двигателят работи на празен ход.
5. Оставете двигателя да се загрее за кратко.

### 10.4 Проверка и настройване на смазването на веригата

#### ⚠ ВНИМАНИЕ

- Никога не работете, без да сте смазали веригата! Режещата гарнитура ще се разруши непоправимо за кратко време, ако режещата верига (1) работи на сухо.
- Преди да започнете работа винаги проверявайте смазването на веригата.

#### Указание

Използвайте само масло за режещата верига, за предпочитане биоразградимо. Не използвайте старо масло, двигателно масло и т.н.

Докато работи на средни обороти, дръжте верижния трион над отрязания пън или подходяща повърхност. Ако смазването е достатъчно, върху пъна или повърхността се образува тънък маслен слой.

- Ако е необходимо, смазването на веригата може да бъде увеличено или намалено от винта за регулиране на маслото (32) (Фиг. 11).
- За целта използвайте доставената отвертка за винтове с шлицова глава (20):
  - Първо натиснете и след това завъртете винта за регулиране на маслото (32) по посока на часовниковата стрелка, за да намалите смазването на веригата.
  - Първо натиснете и след това завъртете винта за регулиране на маслото (32) обратно на часовниковата стрелка, за да увеличите смазването на веригата.



## 10.5 Проверка на спирачката на веригата

### ПРЕДУПРЕЖДЕНИЕ

Спирачката на веригата трябва да се проверява преди всеки пуск в експлоатация.

Спирачката на веригата спира веднага режещата верига (1) при откат.

1. Внимавайте предната защита на ръцете (3) да не е мръсна и да се движи лесно.
2. Стартирайте верижния трион и ускорете режещата верига (1) до максимална скорост (пълна газ).
3. При движещ се режеща верига (1) задействайте предната защита на ръцете (3). Спирачката на веригата трябва да спре и блокира режещата верига (1) при макс. скорост.

### ПРЕДУПРЕЖДЕНИЕ

Повишени за твърде дълъг период от време обороти на двигателя при блокирана спирачка на веригата водят до повреждане на двигателя и задвижването на веригата.

Свържете се с отдела за обслужване на клиентите, ако режещата верига (1) продължава да се движи.

## 11. Приложение

### 11.1 Кастрене

- Винаги имайте предвид опасността от бързото отскачане назад на клоните.
- По време на кастрене никога не стойте върху стъблото.
- Никога не режете с върха на шината. (Фиг. 7)
- Никога не режете няколко клона наведнъж.
- Ако е възможно, по време на кастренето подпрете верижния трион със зъбчатата опора (24).
- Уверете се, че в края на разреза верижният трион може да се завърти от собственото си тегло. Тя вече не се опира в разреза, така че го придържайте.
- По време на кастренето заемете твърда, стабилна и сигурна позиция.

#### 11.1.1 Кастрене на парчета

Скъсете дългите, респ. дебелите клони, преди да направите финалния разделящ разрез отрязване. В противен случай режещата верига (1) може леко да се заклени.

### 11.1.2 Обработка на намиращо се под напрежение дърво

Задължително трябва да се спазва правилната последователност при обработка на намиращо се под напрежение дърво. В противен случай режещата верига (1) може да се заклени или да се стигне до откат.

Намиращото се под напрежение дърво винаги първо трябва да се реже от страната на натиска. Едва след това може да се направи разделящия разрез от страната на обтягане. (Фиг. 24)

По този начин се избягва заклениване на режещата верига (1).

### ВНИМАНИЕ

#### Материални щети!

Долната страна на мястото на разреза на легналото дърво не трябва да докосва земята, тъй като в противен случай режещата верига (1) може да се повреди.

#### Отскок

- Заклинването на режещата верига (1) е горния ръб на направляващата шина (2) може бързо и неконтролирано да отблъсне верижния трион в посока на работата.

#### Издърпане

- Заклинването на режещата верига (1) в долния ръб на направляващата шина (2) може бързо и неконтролирано да издърпа верижния трион от посоката на работата.

#### Безопасна работа

- Поддържайте уреда в добро експлоатационно състояние, за да предотвратите наранявания.
- След изпускане проверете уреда за значителни повреди или дефекти.
- Не използвайте уреда, ако стоите върху стълба или сте заели нестабилна позиция.
- Не се изкушавайте да направите прибрзан разрез. Това може да застраши Вас самите и останалите.
- Редовно сменяйте работната си позиция. Продължителното използване на уреда може да причини нарушения в кръвообращението на ръцете, причинени от вибрациите. Можете да удължите продължителността на използване с подходящи ръкавици или редовни почивки. Имайте предвид, че личното предразположение към лошо кръвообращение, ниските външни температури и високите сили на захват по време на работа могат да съкратят продължителността на използване.

## 11.2 Стълбото на дървото е огънато надолу

1. Първо отрежете компенсиращ разрез 1 (ок. 1/3 от диаметъра на стълбото) от страната на натиска.
2. След това направете разделящ разрез 2 (ок. 2/3 от диаметъра на стълбото) от страната на обтягане.

## 11.3 Стълбото на дървото е огънато нагоре

1. Първо отрежете компенсиращ разрез 1 (ок. 1/3 от диаметъра на стълбото) от страната на натиска.
2. След това направете разделящ разрез 2 (ок. 2/3 от диаметъра на стълбото) от страната на обтягане.

## 11.4 Трион за подрязване на възета за кастрене на дървета в комбинация с технология за катерене по въже

Това приложение представя правилните работни практики за намаляване на риска от нараняване от използването на верижни триони за поддръжка на дървета при работа на височина с въже и ремък за носене. Въпреки че може да служи като ръководство и образователно четиво, не трябва да се разглежда като заместител на формалното образование. Ръководството, дадено в това приложение, служи само като пример за добра практика.

Може да се прилагат национални или други разпоредби, които може да са по-строги.

Потребителят, който използва верижен трион за поддръжка на дървета, работещ на височина с въже и ремък за носене, никога не трябва да работи сам. Наземен работник, обучен за подходящи аварийни процедури, трябва да присъства и да помага.

Потребителят трябва да бъде обучен на общи, безопасни техники за катерене и работно позициониране и трябва да бъде оборудван с ремък за носене, въже, клуп, карабинери и друго оборудване, за да поддържа безопасни и правилни работни позиции както за себе си, така и за триона.

Винаги трябва стриктно да се спазват националните закони и разпоредби.

Това приложение не обхваща техники за проверка на стъбла и клони, отрязани от верижния трион, нито включва вече обхванатите точки за безопасна употреба.

### 11.4.1 Общи изисквания

Потребителят, който използва верижен трион за поддръжка на дървета, работещ на височина с въже и ремък за носене, никога не трябва да работи сам. Наземен работник, обучен за подходящи аварийни процедури, трябва да присъства и да помага.

Потребителят трябва да бъде обучен на общи, безопасни техники за катерене и работно позициониране и трябва да бъде оборудван с ремък за носене, въже, клуп, карабинери и друго оборудване, за да поддържа безопасни и правилни работни позиции както за себе си, така и за триона.

### 11.4.2 Подготовка преди използване на триона за подрязване на дървета в дървото

Верижният трион трябва да бъде проверен, зареден с гориво, стартиран и загрят от наземния работник и след това изключен, преди да бъде изтеглен нагоре по дървото до потребителя.

Верижният трион трябва да бъде снабден с подходящ клуп за закрепване към ремъка за носене на потребителя (Фиг. 13):

- Клупът трябва да се осигури на намиращото се на гърба на триона приспособление за окачване (19) (Фиг. 12).
- Трябва да се осигурят подходящи карабинери, за да се позволи индиректно (т.е. чрез клупа) и директно (т.е. към приспособлението за закачване (19) на верижния трион) закрепване на триона на ремъка за носене.
- Трябва да се внимава за закрепването на верижния трион, когато го повдигате към потребителя (Фиг. 14).
- Уверете се, че верижният трион е закрепен към ремъка за носене, преди да го откачите от подемното въже.

Възможността за закрепване на верижния трион директно към ремъка за носене намалява риска от повреда на оборудването при движение в дървото. Верижният трион трябва винаги да е изключен, когато е закрепен директно към ремъка за носене.

Верижният трион трябва да бъде закрепен само към препоръчаните приспособления за закачване на ремъка за носене. Те могат да бъдат в средата (отпред или отзад) или отстрани. Когато е възможно, закрепете верижния трион към централната задна средна точка на ремъка за носене, за да го държите далече от възета за катерене и да центрирате тежестта под гръбнака на потребителя.

Ако верижния трион бъде преместен от което и да е приспособление за закачване до друго, потребителите трябва да се уверят, че верижният трион е осигурен в новата позиция, преди да го освободят от предишното приспособление за закачване.

### 11.5 Използване на верижния трион в дървото

Анализът на злополуките с тези верижни триони по време на поддръжката на дърветата показва, че основната причина е неправилното използване на триона с една ръка. При повечето злополуки потребителите не заемат сигурна работна позиция, която им позволява да държат верижния трион за двете дръжки, което води до повишен риск от нараняване от:

- Липса на здраво захващане при откат на верижен трион.
- Липса на контрол върху верижния трион, което прави по-лесен контакт на въжетата за катерене и тялото на потребителя (особено лявата ръка и рамото).
- Загуба на контрол поради небезопасна работна позиция и по този начин контакт с верижния трион (неочаквани движения по време на работа с верижния трион).

### 11.6 Сигурна работна позиция с използване с две ръце

За да могат да държат верижния трион с две ръце, потребителите трябва винаги да се опитват да заемат сигурна работна позиция, в която трионът се ръководи, както следва:

- на височината на хълбока при рязане на хоризонтални парчета.
- на височината на стомаха при рязане на вертикални парчета.

Ако потребителят работи близо до вертикалния ствол с ниски странични сили спрямо работната позиция, сигурната опора за краката може да е достатъчна за безопасна работна позиция. Въпреки това, след като потребителите се отдалечат от ствола, те трябва да приемат допълнителни мерки за разсейване или противодействие на нарастващите странични сили, напр. чрез отклоняване на основното въже върху допълнително приспособление за закачване или чрез използване на регулируем клуп, който води от колана към допълнително приспособление за закачване (Фиг. 15 и 16).

#### 11.6.1 Стартиране на триона за подрязване на дървета в дървото

Когато стартира верижния трион в дървото, потребителят трябва:

- да задейства спирачката на веригата преди стартиране (бутнете защитата на ръцете (3) напред).
- при стартиране да държи верижния трион отляво или отдясно на тялото:
  - Дръжте верижния трион от лявата страна с лявата ръка на предната ръкохватка и избутайте верижния трион от тялото, като държите въжето на стартера в дясната ръка.

- Дръжте верижния трион от дясната страна с дясната ръка за една от двете дръжки и избутайте верижния трион далеч от тялото, като държите въжето на стартера в лявата ръка.

Спирачката на веригата трябва винаги да е задействана, преди да спуснете работещия верижен трион върху носещото въже.

Преди да предприеме трудно рязане, потребителят трябва винаги да се уверява, че във верижния трион има достатъчно гориво.

#### 11.6.2 Използване на верижния трион с една ръка

Потребителите не трябва да използват верижни триони за поддръжка на дървета с една ръка в нестабилни работни позиции или вместо ръчен трион, за да отрязват върховете на клони с малък диаметър.

Верижните триони за поддръжка на дървета трябва да се използват само с една ръка, когато

- a. потребителите не могат да постигнат работна позиция, която позволява използване с две ръце.
- b. е необходимо да осигурите работната позиция с една ръка.
- c. верижният трион се използва в напълно изпънато положение, перпендикулярно и извън линията на тялото на потребителя.

Потребителите никога не трябва:

- Режете със зоната за откат на върха на направляващата шина (2) на верижния трион.
- Хванете се здраво за клона, който режете.
- Опитайте се да хванете падащите парчета.

#### 11.6.3 Освобождаване на заседнал верижен трион

Ако верижният трион се заклеци по време на рязане, потребителят трябва:

1. Да изключи верижния трион и го прикрепи здраво към вътрешността на дървото (т.е. към ствола на дървото) или към отделно въже за инструменти.
2. Да издърпа верижния трион от прореза, докато клонът се повдига доколкото е необходимо,
3. Ако е необходимо, да използва ръчен трион или втори верижен трион, за освобождаване на заседналия верижен трион, като реже на поне 30 cm от заседналия верижен трион.

Независимо дали за освобождаване на заседналия верижен трион се използва ръчен или верижен трион, срезове за освобождаване на верижния трион винаги трябва да се правят от външната страна (към върховете на клоните), за да се избегне вземането на верижния трион с отрязаните части и допълнително усложняване на ситуацията .

## 12. Транспортиране

- При транспортиране винаги използвайте капака на направляващата шина (21).
- Изключвайте верижния трион преди всяко транспортиране, дори и на близки разстояния. По време на транспортиране (дори и в превозни средства) осигурявайте машината срещу преобръщане, за да избегнете загуба на гориво, повреди или наранявания.
- Активирайте спирачката на веригата (бутнете предната защита на ръцете (3) напред).
- Носете уреда само за предната ръкохватка (12). При това направляващата шина (2) сочи назад, далеч от тялото ви.
- Дръжте горещия шумозаглушител (18) далеч от тялото си. Съществува опасност от изгаряне! (Фиг. 23)

## 13. Почистване и поддръжка

### ПРЕДУПРЕЖДЕНИЕ

#### Опасност от нараняване!

Преди почистване винаги изключвайте уреда и издърпайте лулата на запалителната свещ (35).  
(виж глава 13.4 Поддръжка на запалителната свещ (34)).

#### Указание

Уредът трябва да се почиства старателно след всяка употреба.

Извършвайте дейностите по почистване и поддръжка само до степента, посочена в това ръководство за употреба. По нататъшните работи трябва да се извършват от специалисти.

Работите по поддръжката трябва да се извършват редовно (виж глава „Интервали на поддръжка“).

### 13.1 Почистване на блока на двигателя

### ПРЕДУПРЕЖДЕНИЕ

#### Опасност от изгаряне!

Не докосвайте горещите шумозаглушители, цилиндри или охлаждащи ребра.

- Поддържайте предпазните приспособления, вентилационните процепи и корпуса на двигателя възможно най-чисти от прах и замърсявания. Продушайте със състен въздух при ниско налягане.
- Почиствайте уреда редовно с влажна кърпа и малко препарат за измиване. Внимавайте за това, да не може да попадне вода във вътрешността на уреда.

### 13.2 Почистване на въздушния филтър (33) (Фиг. 17)

Замърсеният въздушен филтър намалява мощността на двигателя поради недостатъчно подаване на въздух към карбуратора.

Следователно редовните проверки са от съществено значение. Въздушният филтър (33) трябва да се проверява редовно и при необходимост да се почиства.

При силно запрашен въздух въздушният филтър (33) трябва да се сменя по-често.

1. Освободете закопчалка за капака на въздушния филтър (10), завъртайки я обратно на часовниковата стрелка.
2. Свалете капака на въздушния филтър (9).
3. Извадете въздушния филтър (33).
4. Почистете въздушния филтър (33), като го изтупате или продухате (със състен въздух).

Сглобяването се извършва в обратна последователност.

### ВНИМАНИЕ

Никога не почиствайте въздушния филтър (33) с бензин или горими разтворители.

### 13.3 Почистване на задвижването на веригата

### ПРЕДУПРЕЖДЕНИЕ

#### Опасност от нараняване!

Винаги носете предпазни ръкавици, когато докосвате режещата верига (1). Опасност от нараняване поради остри режещи зъби!

#### Указание

Почиствайте задвижването на веригата след всяка употреба.

1. Поставете верижния трион върху равна, стабилна повърхност.
2. Издърпайте предната защита на ръцете (3) до ограничителя назад, за да освободите спирачката на веригата. (Фиг. 2)

- Завъртете винта за обтягане на веригата (23) с отвертката за винтове с шлицова глава (20) обратно на часовниковата стрелка, за да намалите обтягането.
- Свалете двете скрепителни гайки (16) с ключа за запалителната свещ (20).
- Свалете капака на верижното колело (17).
- Внимателно свалете режещата верига (1) от направляващата шина (2) и верижното колело (27).
- Свалете направляващата шина (2). Почистете я с четка.
- Почистете основно цялата зона на задвижването на веригата и капака на верижното колело (17) с четка или чрез продухване (със сгъстен въздух).

Сглобяването се извършва в обратна последователност.

### 13.4 Поддръжка на запалителната свещ (34) (Фиг. 19 / 20)

- Демонтирайте въздушния филтър (33), както е описано в 13.2 „Почистване на въздушния филтър (33)“.
- Снемете лулата на запалителната свещ (35), завъртайки я наляво и надясно и едновременно с това издърпвайки я. Дръжте и дърпайте лулата на запалителната свещ (35) само за щепсела. Никога не дърпайте кабела!
- Развийте запалителната свещ (34) с приложения ключ за запалителната свещ (20).
- Сглобяването се извършва в обратна последователност.

Разстояние между електродите = 0,6 mm – 0,7 mm (разстояние между електродите, между което се генерира запалителна искра). За първи път проверете запалителната свещ (34) след 10 работни часа за замърсяване и я почистете, ако е необходимо, с медна телена четка. След това обслужвайте запалителната свещ (34) на всеки 50 работни часа.

### 13.5 Поддръжка на смазването на веригата

- Виж глава „Проверка и настройване на смазването на веригата“.

### 13.6 Поддръжка на настройките на карбуратора

- Карбураторът трябва да се настрои, ако режещата верига (1) се движи на празен ход или двигателят изгасва автоматично при отнемане на газта.

### Указание

Настройките на карбуратора (напр. оборотите на празен ход) могат да се извършват само от квалифицирани специалисти, за да се избегнат повреди на двигателя.

### 13.7 Поддръжка на направляващата шина (2)

- С помощта на метална пила отстранете евентуално появилите се по ръба на шината мустаци.
- С помощта на четка или сгъстен въздух почистете канала на направляващата шина (2) (Фиг. 21). Сменете направляващата шина (2), ако направляващият жлеб (28) е износен.
- Завъртайте направляващата шина (2) след всяка употреба, за да гарантирате равномерно износване.
- Проверете лесноподвижността на зъбното колело (30) на върха на направляващата шина (2). Ако е необходимо, смажете го с масло за смазване на лагери. Оставете малко лагерно масло да капне в отвора за смазване (31). (Фиг. 21)

### 13.8 Проверка на спирачката на веригата

Виж глава 10.5 „Проверка на спирачката на веригата“

## ⚠ ПРЕДУПРЕЖДЕНИЕ

### ОПАСНОСТ ОТ ОТКАТ!

Неработеща спирачка на веригата увеличава риска от откат.

Редовно проверявайте спирачката на веригата. Функционираща спирачка на веригата е от съществено значение за вашата безопасност.

### 13.9 Обтягане и проверка на режещата верига (1)

Виж глава 9.2 „Обтягане и проверка на режещата верига (1)“

### 13.10 Заточване и грижа за режещата верига (1)

## ⚠ ПРЕДУПРЕЖДЕНИЕ

### Опасност от нараняване!

Винаги носете предпазни ръкавици, когато докосвате режещата верига (1). Опасност от нараняване поради остри режещи зъби!

### Указание

Оптимално поддържаната и заточена режеща верига (1) намалява физическото натоварване, износване и води до добър резултат от рязането.

Почиствайте, поддържайте и заточвайте редовно режещата верига (1).

Проверявайте редовно режещата верига (1) за пукнатини и повредени нитове.

Към помощното точило може да се закрепите точило за сигурна опора по време на заточването.

Използвайте само подходящи кръгли пили за режещи вериги с  $\varnothing 4,8 \text{ mm}$  (3/16") за режещата верига (1), включена в обема на доставката.

В комплекта за заточване ще намерите подробна информация за процеса на заточване.

Като алтернатива използвайте електрически уред за заточване на вериги и следвайте инструкциите на производителя.

Ако се съмнявате в изпълнението на работата, сменете режещата верига (1).

Ако е необходимо, възложете заточването на режещата верига (1) на специализиран сервиз.

- Необходими принадлежности (не се съдържат в обема на доставката):
  - кръгла пила за режещи вериги  $\varnothing 4,8 \text{ mm}$  (3/16")
  - плоска пила
  - шаблон за ограничаване на дълбочината

- Пилете само напред, за да снемете материал.
- Пилете с ъгъл на заточване от ок. 25° при наклон от 10° спрямо направляващата шина (2).
- Проверете разстоянието на ограничаването на дълбочината с шаблон за ограничаване на дълбочината.
- Правилното разстояние на ограничителя на дълбочината трябва да е 0,6 mm (0,024").

### 13.11 Интервали на поддръжка

Работите по поддръжката, описани по-долу, трябва да се извършват редовно, за да се осигури дълъг експлоатационен живот, да се избегнат повреди и да се гарантира пълната функционалност на предпазните устройства. Гаранционните претенции се признават само ако тази работа е била извършена редовно и правилно. Неспазването на това може да доведе до злополука!

Потребителите на верижни триони могат да извършват само дейности по поддръжка и поддръжка, които са описани в това ръководство за експлоатация.

Работа извън това може да се извършва само от специализиран сервиз.

Обща информация	Общ трион за поддръжане на дървета	Почистете отвън и проверете за повреди. В случай на повреда, организирате незабавно извършване на професионален ремонт.
	Режеща верига	Заточвайте редовно, сменяйте навреме.
	Спирачка на веригата	Проверявайте редовно в специализиран сервиз
	Направляваща шина	Обърнете, така че натоварените работни повърхности да се износят равномерно. Сменяйте редовно.
Преди всяко пускане в експлоатация	Режеща верига	Проверете за повреди и острота. Проверете обтягането на веригата.
	Направляваща шина	Проверете за повреди.
	Смазване на веригата	Функционална проверка
	Спирачка на веригата	Функционална проверка
	Превключвател за вкл./изкл., блокировка на лоста за газ, лост за газта	Функционална проверка
	Капачка на резервоара за гориво и маслото за смазване на веригата	Проверете за течове.

Ежедневно	Въздушен филтър	Почистване
	Направляваща шина	Проверка за повреди, почистване на входния отвор за масло
	Държач на шината	Почистване, особено на направляващия жлеб за маслото
	Обороти на празен ход	Проверка (веригата не трябва да се движи)
Ежеседмично	Корпус на вентилатора	Почистване, за да се осигури подходящ охлаждащ въздушен поток
	Запалителна свещ	Проверка, смяна при нужда
	Шумозаглушител	Проверка за запушване
	Уловител за верига	Проверка за повреди, смяна при нужда
	Винтове и гайки	Проверка на състоянието и за херметичност
На всеки три месеца	Смукателна глава Резервоар за гориво, резервоара за маслото за смазване на веригата	Смяна Почистване
Съхранение	Общ трион за подрязване на дървета	Почистване отън и проверка за повреди В случай на повреда, организиране на незабавно извършване на професионален ремонт
	Режеща верига и режеща шина	Демонтаж, почистване и леко смазване Почистване на направляващия жлеб на направляващата шина
	Резервоар за гориво, резервоара за маслото за смазване на веригата	Изпразване и поддръжка
	Карбуратор	Работа на празен ход

### 13.12 Важно указание в случай на ремонт

При връщане на уреда за ремонт обърнете внимание, че от съображения за сигурност уредът трябва да се изпрати без масло и бензин на сервизната станция.

### 13.13 Сервизна информация

Трябва да се има предвид, че следните части на този продукт са обект на износване поради износване или на естествено износване, респ. следните части са необходими като консумативи.

Бързоизносващи се части\*: режеща верига, направляваща шина, масло за смазване на веригата, двигателно масло, зъбчата опора, приспособление за улавяне на веригата, запалителна свещ, въздушен филтър, горивен филтър, филтър за маслото за смазване на веригата

\* не за включени задължително в обема на доставката!

### Разрешена режеща гарнитура

Режеща верига

Kangxin 3/8LP-40.....7910100739

Oregon 91P040X.....3910102032

Направляваща шина

Kangxin AP10-40-509P.....7910100740

Oregon 100SDEA041 .....7910100744

## 14. Съхранение

Ключът за запалителната свещ/Отвертката за винтове с шлицова глава (20) може да бъде монтиран от страни на капака на направляващата шина (21) за съхранение. При съхранение винаги използвайте капака на направляващата шина (21).

Почиствайте и обслужвайте уреда преди всяко съхранение, виж глава „Почистване и поддръжка“.

Изпразнете изцяло резервоара за масло, респ. гориво.

## ПРЕДУПРЕЖДЕНИЕ

Не източвайте бензина в затворено пространство, близо до огън или докато пушите. Газовите пари могат да причинят експлозии или пожар.

- Стартирайте двигателя и го оставете да работи до изразходване на остатъчния бензин.

Съхранявайте уреда и неговите принадлежности на тъмно, сухо и защитено от замръзване, както и недостъпно за деца място. Оптималната температура на съхранение е между 5 и 30 °C.

Не съхранявайте и не използвайте верижния трион при температури под 0 °C!

Никога не прибирайте верижен трион за по-дълго от 30 дни, без да сте извършили следните стъпки.

Следвайте инструкциите за почистване и указанията за поддръжка, преди да съхранявате уреда!

### 14.1 Прибиране на верижния трион

Ако съхранявате верижния трион за повече от 30 дни, тя трябва да бъде подготвена за това. В противен случай намиращото се в карбуратора останало гориво се изпарява и остава подобна на гума утайка. Това би могло да затрудни стартирането и да доведе до скъпи ремонти.

1. Бавно свалете капачката на резервоара за гориво (13), за да освободите налягането в резервоара. Изпразнете внимателно резервоара.
2. Стартирайте двигателя и го оставете да работи, докато верижния трион спре, за да се отстрани горивото от карбуратора.
3. Оставете двигателя да се охлади (ок. 5 минути).
4. Снемете запалителната свещ (34).
5. Добавете 1 чаена лъжичка чисто масло за 2-тактови двигатели в камерата на карбуратора. Изтеглете няколко пъти бавно стартовата въжена система (8), за да се намажат вътрешните компоненти. Монтирайте отново запалителната свещ (34).

Приберете верижния трион на сухо място и далеч от възможни източници на възпламеняване, напр. фурна, газов бойлер, газова сушилня и т.н., далеч от обсега на деца. Винаги поставяйте капака на направляващата шина (21), ако режещата верига (1) и направляващата шина (2) не са демонтирани

### 14.2 Повторно пускане в експлоатация на верижния трион

1. Снемете запалителната свещ (34).
2. Изтеглете бързо стартовата въжена система (8), за да отстраните излишното масло от горивната камера.
3. Почистете запалителната свещ (34) и се уверете, че разстоянието между електродите на запалителната свещ (34) е правилно; или поставете нова запалителна свещ (34) с правилно разстояние между електродите.
4. Подгответе верижния трион за работа.
5. Напълнете резервоара с правилната смес от масло и гориво (1:40).

### 14.3 Съхраняване на гориво

Горивата могат да се съхраняват само за ограничен период от време. Горивото и горивните смеси стареят чрез изпаряване, особено под въздействието на високи температури. По този начин прекомерните запаси от гориво и горивни смеси могат да доведат до проблеми със стартирането и повреда на двигателя. Купувайте само толкова гориво, колкото ще бъде изразходвано в рамките на няколко месеца. При по-високи температури използвайте смесеното гориво за 6-8 седмици.

**Съхранявайте горивото само в одобрени съдове на сухо, хладно и безопасно място!**

## ПРЕДУПРЕЖДЕНИЕ

### Избягвайте контакт с кожата и очите!

Продуктите с минерални масла, включително маслата, обезмасляват кожата. Повтарящият се и продължителен контакт изсушава кожата. Последствията могат да бъдат различни кожни заболявания. Известни са и алергични реакции.

Контактът с маслото в очите предизвиква дразнене. В случай на контакт с очите, незабавно изплакнете засегнатото око с чиста вода. Ако дразненето продължава, незабавно се консултирайте с лекар!

## 15. Изхвърляне и рециклиране

### Указания за опаковката



Опаковъчните материали са рециклируеми. Моля, изхвърлете опаковката по природосъобразен начин.



**Можете да се информирате относно възможностите за изхвърляне на излезли от употреба уреди от Вашите общински или градски власти.**

#### **Горива и масла**

- Преди да изхвърлите уреда, резервоарът за гориво и резервоарът за моторно масло трябва да бъдат изпразнени!

- Горивото и моторното масло не трябва да се изхвърлят заедно с битовите отпадъци или в канализацията, а трябва да се събират и изхвърлят отделно!
- Празните резервоари за масло и гориво трябва да се изхвърлят по екологичен начин.

## **16. Отстраняване на неизправности**

<b>Неизправност</b>	<b>Възможна причина</b>	<b>Отстраняване</b>
Двигателят не стартира или стартира, но не продължава да работи.	Грешно стартиране.	Следвайте инструкциите в това ръководство.
	Неправилно настроена смес на карбуратора.	Настройте карбуратора в оторизиран сервизен център.
	Покрита със сажди запалителна свещ.	Почистете/Настройте или сменете запалителната свещ.
	Запушен горивен филтър.	Сменете горивния филтър.
Двигателят се стартира, но не работи на пълна мощност.	Замърсен въздушен филтър	Сменете филтъра, почистете го и го поставете отново.
	Неправилно настроена смес на карбуратора.	Настройте карбуратора в оторизиран сервизен център.
Двигателят прекъсва	Неправилно настроена смес на карбуратора.	Настройте карбуратора в оторизиран сервизен център.
Няма мощност при натоварване	Неправилно настроена запалителна свещ.	Почистете/Настройте или сменете запалителната свещ.
Двигателят работи неравномерно	Неправилно настроена смес на карбуратора.	Настройте карбуратора в оторизиран сервизен център.
Прекомерен дим.	Грешна горивна смес.	Използвайте правилната горивна смес (съотношение 1:40).
Няма мощност при натоварване	Веригата е затъпена или разхлабена	Заточете веригата или поставете нова верига. Обтегнете веригата.
Двигателят изгасва	Бензиновият резервоар е празен или горивният филтър е неправилно поставен в резервоара	Напълнете бензиновия резервоар. Напълнете докрай бензиновия резервоар или поставете горивния филтър по друг начин в резервоара за бензин.
Недостатъчно смазване на веригата (ножът и веригата се нагряват)	Празен резервоар за маслото за смазване на веригата	Напълнете резервоара за маслото за смазване на веригата.
	Запушени маслени канали	Почистете отвора за смазване в ножа. Почистете жлеба на ножа.

## 17. Гаранция

Уважаеми клиенти, за този уред получавате 3 години гаранция от датата на покупката. В случай на несъответствие на продукта с договора за продажба Вие имате законно право да предявите рекламация пред продавача на продукта при условията и в сроковете, определени в глава трета, раздел II и III и глава четвърта от Закона за предоставяне на цифрово съдържание и цифрови услуги и за продажба на стоки (ЗПЦСЦУПС)\*.

Вашите права, произтичащи от посочените разпоредби, не се ограничават от нашата по-долу представена търговска гаранция, не са свързани с разходи за потребителите и независимо от нея продавачът на продукта отговаря за липсата на съответствие на потребителската стока с договора за продажба съгласно ЗПЦСЦУПС.

### Гаранционни условия

Гаранционният срок е 3 години от датата на получаване на стоката. Пазете добре оригиналната касова бележка. Този документ е необходим като доказателство за покупката. Ако в рамките на три години от датата на закупуване на този продукт се появи дефект на материала или производствен дефект, продуктът ще бъде безплатно ремонтиран или заменен. Гаранцията предполага в рамките на тригодишния гаранционен срок да се представят дефектния уред, касовата бележка (касовият бон), както и всички други документи, установяващи наличието на дефект и писмено да се обясни в какво се състои дефектът и кога е възникнал. Ако дефектът е покрит от нашата гаранция, Вие ще получите обратно ремонтирания или нов продукт. В случай на замяна на дефектна стока първоначалните гаранционен срок и гаранционни условия се запазват. В случай на ремонт на дефектна стока, срокът на ремонта се прибавя към гаранционния срок. За евентуално наличните и установени повреди и дефекти още при покупката трябва да се съобщи веднага след разпаковането. Евентуалните ремонти след изтичане на гаранционния срок са срещу заплащане.

Ремонтът или замяната на продукта не пораждаат нова гаранция.

### Обхват на гаранцията

Уредът е произведен грижливо според строгите изисквания за качество и добросъвестно изпитан преди доставка. Гаранцията важи за дефекти на материала или производствени дефекти. Гаранцията не обхваща консумативите, както и частите на продукта, които подлежат на нормално износване, поради което могат да бъдат разглеждани като бързо износващи се части (например филтри или приставки) или повредите на чупливи части (например прекъсвачи, батерии или такива произведени от стъкло). Гаранцията отпада, ако уредът е повреден поради неправилно използване или в резултат на неосъществяване на техническа поддръжка. За правилната употреба на продукта трябва точно да се спазват всички указания в упътването за експлоатация. Предназначение и действия, които не се препоръчват от упътването за експлоатация или за които то предупреждава, трябва задължително да се избягват. Продуктът е предназначен само за частна, а не за професионална употреба. При злоупотреба и неправилно третиране, употреба на сила и при интервенции, които не са извършени от клона на нашия оторизиран сервиз, гаранцията отпада.

## Процедура при гаранционен случай

За да се гарантира бърза обработка на Вашия случай, следвайте следните указания:

- За всички запитвания подгответе касовата бележка и идентификационния номер (403506\_2204) като доказателство за покупката.
- Вземете артикулния номер от фабричната табелка.
- При възникване на функционални или други дефекти първо се свържете по телефона или чрез имейл с долупосочения сервизен отдел. След това ще получите допълнителна информация за уреждането на Вашата reklamация.
- След съгласуване с нашия сервиз можете да изпратите дефектния продукт на посочения Ви адрес на сервиза безплатно за Вас, като приложите касовата бележка (касовия бон) и посочите писмено в какво се състои дефектът и кога е възникнал. За да се избегнат проблеми с приемането и допълнителни разходи, задължително използвайте само адреса, който Ви е посочен. Осигурете изпращането да не е като експресен товар или като друг специален товар. Изпратете уреда заедно с всички принадлежности, доставени при покупката, и осигурете достатъчно сигурна транспортна опаковка.

## Ремонтен сервиз / извънгаранционно обслужване

Ремонти извън гаранцията можете да възложите на клона на нашия сервиз срещу заплащане. Той с удоволствие ще Ви направи предварителна калкулация. Можем да обработваме само уреди, които са достатъчно опаковани и изпратени с платени транспортни разходи.

**Внимание:** Изпратете Вашия уред на клона на нашия сервиз почистен и с указание за дефекта.

Уредите, предмет на извънгаранционно обслужване, изпратени с неплатени транспортни разходи – с наложен платеж, като експресен или друг специален товар – не се приемат.

Ние ще извършим безплатно изхвърлянето на изпратените от Вас дефектни уреди.а

## Сервизно обслужване

### България

Тел.: **00800 4003 4003**

Е-мейл: **service.BG@schepach.com**

**IAN 403506\_2204**

### Вносител

Моля, обърнете внимание, че следващият адрес не е адрес на сервиза. Първо се свържете с горепосочения сервизен център.

Provita-92 SD  
2 DABENSKO SHOSE str.  
4300 Karlovo

\* Като физическо лице – потребител, независимо от настоящата търговска гаранция, Вие се ползвате от правата на законовата гаранция, предоставена от Закона за предоставяне на цифрово съдържание и цифрови услуги и за продажбата на стоки /ЗПЦСЦУПС/. По-специално Вие имате право при несъответствие на стоката да бъде извършен ремонт или замяна по Ваш избор, освен ако това е невъзможно или е свързано с непропорционално големи разходи за продавача. Вие имате право на пропорционално намаляване на цената или на разваляне на договора при наличие на условията на чл. 33, ал. 3 от ЗПЦСЦУПС. Условията и сроковете на законовата гаранция са регламентирани в глава трета, раздел II и III и в глава четвърта на ЗПЦСЦУПС



От [www.lidl-service.com](http://www.lidl-service.com) можете да изтеглите тези и много други ръководства, видео-клипове за продукти и инсталационен софтуер.

С QR кода отивате директно на страницата Lidl Service ([www.lidl-service.com](http://www.lidl-service.com)) и можете да отворите Вашето ръководство за експлоатация, въвеждайки артикулния номер (IAN) 403506\_2204.

1.	Εξήγηση των συμβόλων πάνω στη συσκευή .....	372
2.	Υπόδειξη για τον χρήστη .....	373
3.	Εισαγωγή .....	374
4.	Περιγραφή συσκευής .....	374
5.	Παραδοτέο υλικό .....	375
6.	Προβλεπόμενη χρήση .....	375
7.	Υποδείξεις ασφαλείας .....	375
8.	Τεχνικά χαρακτηριστικά .....	381
9.	Πριν από τη θέση σε λειτουργία .....	382
10.	Θέση σε λειτουργία .....	384
11.	Χρήση .....	386
12.	Μεταφορά .....	389
13.	Καθαρισμός και συντήρηση .....	389
14.	Αποθήκευση .....	393
15.	Απόρριψη και ανακύκλωση .....	394
16.	Αντιμετώπιση προβλημάτων .....	395
17.	Εγγυηση .....	396
18.	Διευρυμένο σχέδιο .....	398
19.	Δήλωση συμμόρφωσης .....	400

## 1. Εξήγηση των συμβόλων πάνω στη συσκευή

	<p>Διαβάστε, κατανοήστε και τηρείτε όλες τις προειδοποιητικές υποδείξεις.</p>		<p>Μελετήστε και λάβετε υπόψη ολόκληρο το εγχειρίδιο οδηγιών χειρισμού προτού χρησιμοποιήσετε τη συσκευή.</p>
	<p>Προειδοποίηση! Κίνδυνος για ανάδραση (κλώτσημα). Προστατευτείτε από τυχόν ανάδραση του αλυσοπρίονου και αποφεύγετε την επαφή με τη μύτη λάμας αλυσοπρίονου.</p>		<p>Μην χρησιμοποιείτε τη συσκευή σε βροχή ή σε υγρές συνθήκες.</p>
	<p>Φοράτε προστατευτικά γυαλιά. Φοράτε προστασία ακοής.</p>		<p>Φοράτε προστατευτικό κράνος.</p>
	<p>Φοράτε πάντα γάντια ασφαλείας και κατά των κραδασμών όταν χρησιμοποιείτε τη συσκευή.</p>		<p>Φοράτε πάντα αντιολισθητικά υποδήματα ασφαλείας με προστασία κατά των κοψιμάτων, όταν χρησιμοποιείτε τη συσκευή.</p>
	<p>Είναι σημαντικό να φοράτε προστατευτικό ρουχισμό για τα πόδια, τα πόδια, τις παλάμες και τους πήχεις των χεριών.</p>		<p>Να χειρίζεστε το αλυσοπρίονο πάντα και με τα δύο χέρια. Ποτέ μη χρησιμοποιείτε το αλυσοπρίονο μόνο με το ένα χέρι.</p>
	<p>Προσοχή! Χρήση αλυσοπρίονου σε συνδυασμό με εξοπλισμό αναρρίχησης με σχοινί. Πριν αρχίσετε την εργασία, εξοικειωθείτε με όλες τις υποδείξεις για την εργασία!</p>		<p>Απαγορεύονται ανοιχτές φωτιές στην περιοχή εργασίας!</p>
	<p>Άνοιγμα πλήρωσης για καύσιμο. Μείγμα καυσίμου-λαδιού 1:40</p>		<p>κατεύθυνση περιστροφής</p>
	<p>Τάπα ρεζερβουάρ λαδιού για λάδι αλυσίδας</p>		<p>Ρύθμιση του φρένου αλυσίδας: Λευκό βέλος: Φρένο αλυσίδας ανενεργό Μαύρο βέλος: Φρένο αλυσίδας ενεργό</p>
	<p>Μοχλός ψυχρής εκκίνησης (τσοκ)</p>		<p>Λύσιμο του φρένου αλυσίδας</p>
	<p>Ενεργοποίηση του φρένου αλυσίδας</p>		<p>Κατεύθυνση εγκατάστασης της αλυσίδας πριονιού</p>
	<p>Ρύθμιση λίπανσης αλυσίδας</p>		<p>Εγγυημένη στάθμη ηχητικής ισχύος της συσκευής.</p>



Προσοχή! Καυτά εξαρτήματα.



push  
primer  
6 times

Πιέστε 6 φορές την αντλία καυσίμου (σύστημα αρχικής πλήρωσης).

### ΚΙΝΔΥΝΟΣ

Λέξη επισήμανσης μιας άμεσα επικείμενης επικίνδυνης κατάστασης η οποία, αν δεν αποφευχθεί, θα έχει σαν συνέπεια θάνατο ή βαρύ τραυματισμό.

### ΠΡΟΕΙΔΟ- ΠΟΙΗΣΗ

Λέξη επισήμανσης μιας ενδεχόμενης επικίνδυνης κατάστασης η οποία, αν δεν αποφευχθεί, θα μπορούσε να έχει σαν συνέπεια θάνατο ή βαρύ τραυματισμό.

### ΠΡΟΣΟΧΗ

Λέξη επισήμανσης μιας ενδεχόμενης επικίνδυνης κατάστασης η οποία, αν δεν αποφευχθεί, θα μπορούσε να έχει σαν συνέπεια μικρής ή μέτριας βαρύτητας τραυματισμό.

### ΥΠΟΔΕΙΞΗ

Λέξη επισήμανσης μιας ενδεχόμενης επικίνδυνης κατάστασης η οποία, αν δεν αποφευχθεί, θα μπορούσε να έχει σαν συνέπεια υλικές ζημιές στο προϊόν/σε ιδιοκτησία.

## 2. Υπόδειξη για τον χρήστη

### ΠΡΟΕΙΔΟΠΟΙΗΣΗ:

**Πριν από την πρώτη θέση σε λειτουργία, διαβάστε διεξοδικά αυτές τις οδηγίες χρήσης και τηρείτε απαραίτητα τους κανονισμούς ασφαλείας! Ο χειρισμός αυτού του κλαδευτικού αλυσοπρίονου επιτρέπεται μόνο σε «χειριστές κλαδευτικού αλυσοπρίονου με πρόσθετη εκπαίδευση είτε για εργασίες σε ανυψωτικά καλάθια ή καλάθια με σκάλα, είτε με εξοπλισμό αναρρίχησης με σχοινί»!**

**Φυλάξτε προσεκτικά τις οδηγίες χρήσης!**

### Υπόδειξη:

**Έχετε υπόψη σας ότι ορισμένοι εθνικοί κανονισμοί ενδέχεται να επιβάλλουν περιορισμούς στη χρήση του μηχανήματος.**



Αυτό το κλαδευτικό αλυσοπρίονο προορίζεται ειδικά για τη δενδροκομία και τη χειρουργική δένδρων. Όλες οι εργασίες με κλαδευτικό αλυσοπρίονο προορίζονται ειδικά για τη δενδροκομία και τη χειρουργική δένδρων. Όλες οι εργασίες με αυτό το κλαδευτικό αλυσοπρίονο επιτρέπεται να διενεργούνται μόνο από εκπαιδευμένους χειριστές κλαδευτικού αλυσοπρίονου!

### 3. Εισαγωγή

#### ΚΑΤΑΣΚΕΥΑΣΤΗΣ:

**Schepbach GmbH**

Günzburger Straße 69

D-89335 Ichenhausen

#### ΑΞΙΟΤΙΜΕ ΠΕΛΑΤΗ,

Σας ευχόμαστε πολλή ευχαρίστηση και καλή επιτυχία κατά την εργασία με τη νέα σας συσκευή.

#### ΥΠΟΔΕΙΞΗ:

Ο κατασκευαστής αυτής της συσκευής δεν ευθύνεται σύμφωνα με τον ισχύοντα νόμο περί ευθύνης προϊόντων για ζημιές, που προκαλούνται σε αυτή τη συσκευή ή από αυτή τη συσκευή στις εξής περιπτώσεις:

- ακατάλληλος χειρισμός,
- παράβλεψη του εγχειριδίου χειρισμού,
- επισκευές από τρίτους, μη εξουσιοδοτημένους ειδικούς,
- τοποθέτηση και αντικατάσταση μη γνήσιων ανταλλακτικών,
- μη ενδεδειγμένη χρήση.

#### Προσέξτε:

Διαβάστε πριν από τη συναρμολόγηση και τη θέση σε λειτουργία όλο το κείμενο του εγχειριδίου χειρισμού.

Αυτές οι οδηγίες χειρισμού έχουν σκοπό να σας διευκολύνουν να γνωρίσετε τη συσκευή και να εκμεταλλευτείτε τις ενδεδειγμένες δυνατότητες χρήσης της.

Οι οδηγίες χειρισμού περιέχουν σημαντικές υποδείξεις για να εργάζεστε με τη συσκευή με ασφάλεια, σωστά και οικονομικά και για να αποφεύγετε κινδύνους, να εξοικονομείτε έξοδα επισκευής, να μειώνετε τους χρόνους αδυναμίας λειτουργίας και να αυξάνετε την αξιοπιστία και τη διάρκεια ζωής της συσκευής.

Επιπρόσθετα στους κανόνες ασφαλείας στις παρούσες οδηγίες χειρισμού, πρέπει να λαμβάνετε οπωσδήποτε υπόψη σας τις διατάξεις που ισχύουν στη χώρα σας για τη λειτουργία της συσκευής.

Φυλάξτε τις οδηγίες χειρισμού σε ένα πλαστικό κάλυμμα προστατευμένες από ρύπους και υγρασία, κοντά στη συσκευή. Κάθε ένας από το προσωπικό χειρισμού πρέπει να τις διαβάζει και να τις τηρεί ευλαβικά πριν από την ανάληψη της εργασίας.

Στη συσκευή επιτρέπεται να εργάζονται μόνο πρόσωπα, που έχουν ενημερωθεί για τη χρήση της συσκευής και γνωρίζουν τους κινδύνους που σχετίζονται με αυτή. Πρέπει να τηρείται το απαιτούμενο ελάχιστο όριο ηλικίας.

Εκτός από τις υποδείξεις ασφαλείας που αναφέρονται στο παρόν εγχειρίδιο οδηγιών χρήσης και τις ειδικές διατάξεις της χώρας σας, πρέπει να προσέχετε για τη λειτουργία μηχανημάτων παρόμοιας κατασκευής τους γενικά αναγνωρισμένους τεχνικούς κανόνες.

Δεν αναλαμβάνουμε καμία ευθύνη για ατυχήματα ή ζημιές που οφείλονται σε παράβλεψη αυτών των οδηγιών και των υποδείξεων ασφαλείας.

### 4. Περιγραφή συσκευής

1. Αλυσίδα πριονιού
2. Ράγα-οδηγός
3. Μπροστινή προστασία χεριών
4. Αντλία καυσίμου «Primer»
5. Μοχλός γκαζιού
6. Πίσω χειρολαβή
7. Ασφάλιση μοχλού γκαζιού
8. Μηχανισμός σχοινιού εκκίνησης
9. Κάλυμμα φίλτρου αέρα
10. Ασφάλιση για το κάλυμμα φίλτρου αέρα
11. Τάπα ρεζερβουάρ λαδιού αλυσίδας
12. Μπροστινή χειρολαβή
13. Τάπα ρεζερβουάρ καυσίμου
14. Μοχλός ψυχρής εκκίνησης (τσοκ)
15. Διακόπτης ενεργοποίησης/ απενεργοποίησης
16. Παξιμόδια στερέωσης
17. Κάλυμμα γραναζιού αλυσίδας
18. Σιγαστήρας
19. Διάταξη ανάρτησης
20. Μπουζόκλειδο / Κατασβίδι με ίσια μύτη
21. Κάλυμμα της ράγας-οδηγού
22. Δοχείο ανάμειξης
23. Βίδα τάνυσης αλυσίδας
24. Προφυλακτήρας με νύχια
25. Οδηγός αλυσίδας
26. Πείρος τάνυσης αλυσίδας
27. Γρανάζι αλυσίδας
28. Αυλάκωση καθοδήγησης
29. Πείρος στερέωσης
30. Οδοντωτός τροχός
31. Άνοιγμα λίπανσης
32. Βίδα ρύθμισης λαδιού
33. Φίλτρο αέρα
34. Μπουζί
35. Σύνδεσμος μπουζί
36. Κεφαλή αναρρόφησης



## 5. Παραδοτέο υλικό

- Κλαδευτικό αλυσοπρίονο
- Αλυσίδα πριονιού
- Ράγα-οδηγός
- Κάλυμμα της ράγας-οδηγού
- Μπουζόκλειδο / Κατσαβίδι με ίσια μύτη
- Δοχείο ανάμειξης

## 6. Προβλεπόμενη χρήση

Αυτή η συσκευή είναι ένα ιδιαίτερα ελαφρύ και εύχρηστο κλαδευτικό αλυσοπρίονο με χειρολαβή στο επάνω μέρος του. Το κλαδευτικό αλυσοπρίονο αναπτύχθηκε ειδικά για τη χειρουργική δένδρων και τη δενδροκομία. Επομένως ο χειρισμός αυτών των κλαδευτικών αλυσοπριόνων επιτρέπεται μόνο σε «χειριστές κλαδευτικού αλυσοπριόνου με πρόσθετη εκπαίδευση είτε για εργασίες σε ανυψωτικά καλάθια ή καλάθια με σκάλα, είτε με εξοπλισμό αναρρίχησης με σχοινί». Για περιστασιακή χρήση σε λεπτό ξύλο, περιποίηση οπωροφόρων δένδρων, αποκλάδωση, κοπή σε μικρότερο μήκος.

Η επεξεργασία καυσόξυλων επιτρέπεται μόνο εφόσον η διάμετρος των ξύλων δεν υπερβαίνει το μήκος κοπής (20 cm). Για τις εργασίες αυτές συνιστούμε ένα συμβατικό αλυσοπρίονο που διαθέτει μεγάλη απόσταση λαβής και/ή μήκος κοπής.

Ποιος δεν επιτρέπεται να χρησιμοποιεί τη συσκευή:

Άτομα τα οποία δεν είναι εξοικειωμένα με τις οδηγίες χειρισμού, παιδιά κάτω των 16 ετών καθώς και άτομα τα οποία βρίσκονται υπό την επήρεια οινοπνεύματος, ναρκωτικών ή φαρμάκων, είναι κουρασμένα ή άρρωστα.

Η συσκευή προορίζεται κανονικά αποκλειστικά για την κοπή ξύλου. Ο κατασκευαστής δεν ευθύνεται για ζημιές που έχουν προκληθεί από μη προβλεπόμενη χρήση ή λανθασμένο χειρισμό.

Η συσκευή επιτρέπεται να χρησιμοποιείται μόνο όπως προβλέπεται. Κάθε χρήση πέραν αυτής θεωρείται μη ενδεδειγμένη. Για ζημιές ή τραυματισμούς οποιουδήποτε είδους προκαλούμενες από αυτή, την ευθύνη φέρει ο χρήστης/χειριστής και όχι ο κατασκευαστής.

Συστατικό μέρος της ενδεδειγμένης χρήσης αποτελεί και η τήρηση των υποδείξεων ασφαλείας, καθώς και των οδηγιών συναρμολόγησης και των υποδείξεων λειτουργίας που υπάρχουν στις Οδηγίες χειρισμού.

Τα άτομα τα οποία χειρίζονται και συντηρούν τη συσκευή πρέπει να είναι εξοικειωμένα με αυτή και να έχουν διδαχθεί σχετικά με τους ενδεχόμενους κινδύνους.

Επιπλέον, πρέπει να τηρούνται όσο το δυνατόν πιο αυστηρά οι ισχύοντες κανονισμοί πρόληψης ατυχημάτων.

Πρέπει να τηρούνται και οι λοιποί κανόνες στους τομείς της ιατρικής εργασίας και της τεχνικής ασφάλειας.

Οι τροποποιήσεις στη συσκευή αποκλείουν κάθε ευθύνη του κατασκευαστή καθώς και την ευθύνη για όσες ζημιές προκύψουν από αυτές.

Παρακαλούμε να έχετε υπόψη σας ότι οι συσκευές μας κανονικά δεν έχουν σχεδιαστεί για εμπορική, βιοτεχνική ή βιομηχανική χρήση. Δεν αναλαμβάνουμε καμία ευθύνη αν η συσκευή χρησιμοποιηθεί σε εμπορικές, βιοτεχνικές ή βιομηχανικές επιχειρήσεις καθώς και σε παρόμοιες δραστηριότητες.

### ⚠ ΚΙΝΔΥΝΟΣ

Ο κατασκευαστής αυτής της συσκευής δεν ευθύνεται σύμφωνα με τον ισχύοντα νόμο περί ευθύνων προϊόντων για ζημιές, που προκαλούνται σε αυτή τη συσκευή ή από αυτή τη συσκευή στις εξής περιπτώσεις:

- τοποθέτηση και αντικατάσταση μη γνήσιων ανταλλακτικών,
- Αφαίρεση ή τροποποίηση εξαρτημάτων ασφαλείας.

### 6.1 Μη προβλεπόμενη χρήση

- Αυτή η συσκευή δεν είναι κατάλληλη για εργασίες υλοτομίας.
- Μη χρησιμοποιείτε τη ράγα-οδηγό ως μοχλό για να μετακινήσετε κούτσουρα ή παρόμοια αντικείμενα.
- Δεν επιτρέπεται η κοπή ξύλου διαμέτρου μεγαλύτερη των 20 cm.

## 7. Υποδείξεις ασφαλείας

### 7.1 Γενικές υποδείξεις

#### ⚠ ΠΡΟΕΙΔΟΠΟΙΗΣΗ

Πρέπει να είστε πάντα προσεκτικοί, να προσέχετε τι κάνετε και να χρησιμοποιείτε σύνεση κατά την εργασία με τη συσκευή. Μη χρησιμοποιείτε τη συσκευή όταν είστε άρρωστοι ή κουρασμένοι ή υπό την επίδραση ναρκωτικών, οινοπνεύματος ή φαρμάκων. Μία στιγμή απροσεξίας κατά τη χρήση της συσκευής μπορεί να οδηγήσει σε σοβαρούς τραυματισμούς.

Αποφεύγετε τις λανθασμένες χρήσεις, χρησιμοποιείτε το μηχανήμα μόνο όπως προβλέπεται στην ενότητα «Ενδεικτική χρήση».

Οι οδηγίες χειρισμού περιέχουν σημαντικές υποδείξεις για το πώς μπορείτε να εργαστείτε με το αλυσοπρίονο με ασφάλεια, τεχνικά σωστά και να αποφεύγετε τους κινδύνους.

Αν παρόλα αυτά υπάρξει ακινητοποίηση της αλυσίδας πριονιού μέσα στο υλικό κοπής, απενεργοποιήστε άμεσα το αλυσοπρίονο. Περιμένετε έως ότου ακινητοποιηθεί πλήρως η αλυσίδα πριονιού. Αφαιρέστε τον σύνδεσμο μπουζί και φορέστε γάντια ανθεκτικά σε κοψίματα, για να αποκαταστήσετε το πρόβλημα με το μπλοκάρισμα. Αν πρέπει να απομακρυνθεί η ράγα-οδηγός (λάμα), ακολουθήστε τις οδηγίες στο κεφάλαιο «Συναρμολόγηση». Μετά την αποκατάσταση του προβλήματος με το μπλοκάρισμα και την εκ νέου συναρμολόγηση πρέπει να διενεργηθεί μια δοκιμαστική λειτουργία.

Εάν τότε διαπιστωθούν μηχανικοί θόρυβοι, σταματήστε την εργασία και απευθυνθείτε σε ένα εξουσιοδοτημένο κέντρο σέρβις. Αν αυτός ο κίνδυνος προκύπτει συχνά, συστούμε να λάβετε νέα εκπαίδευση.

- Πριν από τη θέση σε λειτουργία διαβάστε τις οδηγίες χρήσης της συσκευής σας και λαμβάνετε ιδιαίτερες υπόψη σας τις υποδείξεις ασφαλείας.

- Οι πινακίδες προειδοποιήσεων και υποδείξεων που φέρει η συσκευή παρέχουν σημαντικές υποδείξεις για την ακίνδυνη χρήση της.

- Πέραν των υποδείξεων στις οδηγίες χρήσης πρέπει να λαμβάνονται υπόψη οι γενικοί κανονισμοί ασφαλείας και πρόληψης ατυχημάτων που προβλέπονται από τη νομοθεσία.

- Κρατάτε τις μεμβράνες συσκευασίας μακριά από παιδιά, υπάρχει κίνδυνος πρόκλησης ασφυξίας!

- Οι χειριστές με ανεπαρκή πληροφόρηση μπορούν να θέσουν σε κίνδυνο τον εαυτό τους και άλλα άτομα λόγω ακατάλληλης χρήσης της συσκευής. Ο χειριστής είναι υπεύθυνος έναντι τρίτων.

- Πριν από την έναρξη της λειτουργίας ελέγξτε τη λειτουργία του μοχλού γκαζιού. Αυτός πρέπει μετά την απελευθέρωσή του να επιστρέφει αυτόματα στη θέση λειτουργίας ρελατί.

- Μην εργάζεστε περισσότερο από 10 λεπτά χωρίς διάλειμμα. Συνιστάται να κάνετε διάλειμμα 10 - 20 λεπτών μεταξύ των περιόδων εργασίας.

- Δανείτε τη συσκευή μόνο σε χρήστες οι οποίοι έχουν εμπειρία στη χρήση της. Επίσης πρέπει να τους παραδίδετε και τις οδηγίες χρήσης.

- Για ορισμένες εργασίες κοπής χρειάζεται ειδική εκπαίδευση και ιδιαίτερες δεξιότητες. Αν έχετε οποιαδήποτε αμφιβολία, απευθυνθείτε σε έναν εξειδικευμένο τεχνικό.

- Ο πρώτος χρήστης πρέπει να αποκτήσει κατάρτιση ώστε να εξοικειωθεί με τις ιδιότητες της συσκευής. Για τη δική σας ασφάλεια παρακολουθήστε μια κρατικά διοργανωμένη εκμάθηση χρήσης αλυσοπριονίων.

- Σε περίπτωση μη χρήσης της, η συσκευή πρέπει να φυλάσσεται έτσι ώστε να μην τίθεται κανένας σε κίνδυνο. Προστατεύετε την από μη εξουσιοδοτημένη πρόσβαση.

- Ο χρήστης της συσκευής είναι υπεύθυνος για όλα τα ατυχήματα και τους κινδύνους που προκαλούν ζημιές/βλάβες σε άλλους ανθρώπους ή στην ιδιοκτησία τους.

- Παιδιά, νέοι και άτομα με μειωμένες σωματικές, αισθητηριακές ή διανοητικές ικανότητες δεν επιτρέπεται να χρησιμοποιούν το αλυσοπρίονο. Εξαιρέσεις υπάρχουν μόνο για νέους άνω των 16 ετών στο πλαίσιο της εκπαίδευσης υπό την επιτήρηση ειδικευμένου ατόμου.

- Το ηλεκτρικό σύστημα ανάφλεξης της συσκευής παράγει ένα μικρό ηλεκτρομαγνητικό πεδίο. Αν είστε φορέας καρδιακού βηματοδότη ή παρόμοιων εμφυτευμάτων, πριν τη χρήση της συσκευής συμβουλευτείτε τον γιατρό σας, για να αποφεύγετε κινδύνους για την υγεία σας.

- Έχετε υπόψη σας ότι σε περίπτωση μη κανονικής συντήρησης, χρήση μη συμμορφούμενων ανταλλακτικών ή αφαιρέσεων ή τροποποιήσεων των διατάξεων ασφαλείας, μπορεί να προκύψουν ζημιές στη συσκευή και βραβίο τραυματισμού του ατόμου που εργάζεται με αυτή.

## 7.2 Ατομικός εξοπλισμός προστασίας (ΑΕΠ)

### ΚΙΝΔΥΝΟΣ

Φοράτε πάντα εξοπλισμό ατομικής προστασίας (ΜΑΠ), όπως προστασία των ματιών (προσωπίδα ή γυαλιά), προστασία του κεφαλιού, των χεριών, των ποδιών και των ποδιών κατάλληλη για αναρρίχηση σε δέντρα!

- Φοράτε προστατευτικό κράνος με προστασία των ματιών ή προστατευτικά γυαλιά και προστασία ακοής.

- Φοράτε εφαρμοστό προστατευτικό ρουχισμό με ένθετο προστασίας από κοψίματα.

- Φοράτε αντιολισθητικά υποδήματα ασφαλείας.

- Φοράτε προστατευτικά γάντια.

- Αποφεύγετε να φοράτε φαρδιά ρούχα, που μπορούν να πιαστούν.

- Μη φοράτε κασκόλ, γραβάτα και κοσμήματα!

- Αν έχετε μακριά μαλλιά, χρησιμοποιείτε δίχτυ μαλλιών!

- Σε όλες τις εργασίες στο δάσος φοράτε προστατευτικό κράνος. Αυτό προσφέρει προστασία από κλαδιά που πέφτουν. Ελέγχετε το προστατευτικό κράνος τακτικά για ζημιές. Το αργότερο μετά από 5 χρόνια αυτός πρέπει να αντικαθιστάται. Χρησιμοποιείτε μόνο ελεγμένα προστατευτικά κράνη.

- Η προστασία προσώπου και/ή τα προστατευτικά γυαλιά προστατεύουν από πριονίδια και σκλήθρες. Για να αποφεύγετε τραυματισμούς των ματιών, πρέπει πάντα κατά την εργασία με τη συσκευή να φοράτε προστασία προσώπου και/ή προστατευτικά γυαλιά.
- Φοράτε πάντα προστασία ακοής. Ο θόρυβος που προκαλείται από τη συσκευή μπορεί να προκαλέσει βλάβες της ακοής.
- Φοράτε πάντα γερά προστατευτικά γάντια από ανθεκτικό υλικό, όπως π.χ. δέρμα.
- Κατά την κοπή ξηρού ξύλου φοράτε μάσκα προστασίας από σκόνη. Μπορεί να προκύψει σχηματισμός σκόνης πριονιδιού.
- Κατά την εργασία στο δέντρο, ο χρήστης μπορεί να πέσει. Ο χρήστης μπορεί να τραυματιστεί σοβαρά ή να σκοτωθεί. Φοράτε εξοπλισμό για προστασία από πτώσεις.

### 7.3 Αποθήκευση και μεταφορά

- Πριν από κάθε μεταφορά απενεργοποιείτε το αλυσοπρίονο, ακόμα και για μικρές αποστάσεις. Ενεργοποιήστε το φρένο αλυσίδας και τε το προστατευτικό αλυσίδας.
- Χρησιμοποιείτε το προστατευτικό αλυσίδας κατά τη μεταφορά και αποθήκευση.
- Κατά τη διάρκεια της μεταφοράς (ακόμα και μέσα σε οχήματα) προστατεύετε το μηχάνημα από ανατροπή, για να αποφεύγετε απώλεια καυσίμου, ζημιές ή τραυματισμούς.
- Μεταφέρετε τη συσκευή μόνο από την μπροστινή χειρολαβή. Η ράγα-οδηγός τότε είναι στραμμένη προς τα πίσω, αντίθετα από το σώμα σας.
- Κρατάτε τον αυτοί σιγαστήρα μακριά από το σώμα σας. Υπάρχει κίνδυνος εγκαυμάτων!
- Καθαρίστε και συντηρήστε το αλυσοπρίονο πριν την αποθήκευση.
- Αποθηκεύστε τη συσκευή σε ασφαλές και ξηρό μέρος. Προστατεύετε την και από μη εξουσιοδοτημένη πρόσβαση.

### 7.4 Ασφάλεια του περιβάλλοντος

- Εθνικοί και/ή τοπικοί κανονισμοί μπορεί να περιορίζουν χρονικά τη χρήση μηχανοκίνητων συσκευών που παράγουν θόρυβο. Πληροφορηθείτε σχετικά από τις τοπικές σας αρχές.
- Η συσκευή δεν επιτρέπεται να λειτουργήσει σε εσωτερικούς χώρους ή σε άλλες περιοχές με ανεπαρκή αερισμό. Υπάρχει κίνδυνος ασφυξίας από τα δηλητηριώδη καυσαέρια/αναθυμιάσεις λαδιού λιπανσης.
- Διενεργείτε τις εργασίες μόνο με το φως της ημέρας.
- Μην εργάζεστε με δυσμενείς καιρικές συνθήκες, όπως π.χ. βροχή ή άνεμο. Σε αυτή την περίπτωση υπάρχει αυξημένος κίνδυνος ατυχήματος.

- Διατηρείτε την περιοχή εργασίας καθαρή και τακτοποιημένη.
- Κρατάτε μακριά παιδιά, άλλα άτομα και ζώα πριν και κατά τη διάρκεια της εργασίας. Σε περίπτωση εκτροπής μπορεί να χάσετε τον έλεγχο της συσκευής.
- Βεβαιωθείτε πριν την έναρξη της εργασίας ότι δεν βρισκονται στη ζώνη κινδύνου άτομα, ζώα ή περιουσιακά στοιχεία.
- Μην εργάζεστε κοντά σε συμράτινους φράκτες ή σε περιοχές με παλιά σύρματα.
- Έχετε έτοιμα μέσα πυρόσβεσης αν εργάζεστε σε εύφλεκτο περιβάλλον, όπως π.χ. σε ξερά χόρτα. Υπάρχει κίνδυνος πυρκαγιάς!

### 7.5 Προσθήκη καυσίμου

- Η βενζίνη είναι πολύ εύφλεκτη. Κατά τον ανεφοδιασμό κρατάτε απόσταση από γυμνές φλόγες και μην καπνίζετε. Υπάρχει κίνδυνος πυρκαγιάς!
- Προσέχετε να μη σας χυθεί βενζίνη. Η βενζίνη ή το λάδι αλυσίδας δεν επιτρέπεται να καταλήξουν στο έδαφος. Για βοήθεια σας χρησιμοποιείτε κατάλληλα υποθέματα.
- Ο εφοδιασμός καυσίμου πρέπει να γίνεται μόνο σε καλά αεριζόμενες περιοχές. Οι ατμοί βενζίνης μπορεί να αναφλεγούν εύκολα ή να εκραγούν.
- Πριν τον εφοδιασμό καυσίμου σβήνετε το μοτέρ και αφήνετε τη συσκευή να κρυώσει. Σε περίπτωση που χυθεί βενζίνη, καθαρίστε άμεσα τα επηρεαζόμενα σημεία. Μην αφήσετε να πέσει καύσιμο στα ρούχα σας, διαφορετικά αλλάξτε ρούχα άμεσα.
- Αποφεύγετε την επαφή της βενζίνης ή λιπαντικών (λαδιού) με το δέρμα και τα μάτια σας.
- Μην εισπνέετε ατμούς βενζίνης/ ατμούς λιπαντικών.
- Προσέχετε για τυχόν διαρροές. Αν διαρρέει βενζίνη, μη θέσετε σε λειτουργία το μοτέρ. Υπάρχει κίνδυνος εγκαυμάτων.
- Ανοίγετε το πάμα ρεζερβουάρ πολύ προσεκτικά ώστε να μπορεί να διαφύγει αργά η υπερπίεση που υπάρχει και να μην εκτιναχτεί βενζίνη.

### 7.6 Πριν από τη θέση σε λειτουργία

#### ▲ ΠΡΟΕΙΔΟΠΟΙΗΣΗ

Διενεργείτε ελέγχους πάντα πριν από τη θέση σε λειτουργία και με απενεργοποιημένο το μοτέρ. Ελέγχετε τη συσκευή για λειτουργικά ασφαλή κατάσταση πριν από κάθε χρήση και αφού έχει πέσει στο έδαφος. Ελέγξτε αν όλα τα κινητά μέρη λειτουργούν άψογα. Πολλά ατυχήματα έχουν την αιτία τους σε κακοσυντηρημένα εργαλεία. Αναθέτετε σε εξειδικευμένο τεχνικό προσωπικό την επιθετική εξαρτημάτων που έχουν υποστεί ζημιά.

Χρησιμοποιείτε το αλυσοπρίονο και τα αξεσουάρ μόνο σύμφωνα με αυτές τις οδηγίες. Επίσης λαμβάνετε υπόψη σας τις συνθήκες εργασίας και την δραστηριότητα που πρόκειται να εκτελεστεί. Η χρήση μηχανοκίνητων εργαλείων για εφαρμογές άλλες από τις προβλεπόμενες μπορεί να οδηγήσει σε επικίνδυνες καταστάσεις.

- Ελέγχετε τακτικά το φρένο αλυσίδας για λειτουργικότητα (μπροστινή προστασία χεριών, βλ. Εικ. 2).
- Ελέγξτε αν είναι σωστά εγκατεστημένη η ράγα-οδηγός.
- Ελέγξτε την αλυσίδα πριονιού για σωστό τέντωμα. Τηρείτε τις οδηγίες για τη λιπανση, την τάνυση αλυσίδας και την αντικατάσταση των αξεσουάρ. Μια ακατάλληλα τεντωμένη ή λιπασμένη αλυσίδα μπορεί είτε να κοπεί είτε να προκαλέσει αύξηση του κινδύνου ανάδρασης.
- Διατηρείτε τα κοπτικά εργαλεία αιχμηρά και καθαρά. Ακονίζετε τακτικά και αντικαθιστάτε τα φθαρμένα εξαρτήματα. Τα προσεκτικά φροντισμένα κοπτικά εργαλεία με κοφτερές αιχμές έχουν μικρότερη τάση για σφήνωμα και είναι ευκολότερο να καθοδηγηθούν.
- Ελέγξτε το μοχλό γκαζιού και την ασφάλιση μοχλού γκαζιού για ευκολία κίνησης. Ο μοχλός γκαζιού πρέπει να επιστρέφει στην αρχική θέση.
- Ελέγξτε αν υπάρχει αρκετό καύσιμο και λάδι λιπανσης αλυσίδας στο ρεζερβουάρ.
- Ελέγξτε αν η χειρολαβή είναι καθαρή, στεγνή και απαλλαγμένη από λάδια και ακαθαρσίες.
- Ποτέ μη διενεργείτε τις εργασίες μόνοι σας. Πρέπει να υπάρχει κάποιος κοντά για περίπτωση ανάγκης.
- Χρησιμοποιείτε το αλυσοπρίονο μόνο αν πατάτε σε σταθερό, ασφαλές και ομαλό έδαφος. Αποφεύγετε οποιαδήποτε αφύσικη στάση σώματος. Το ολισθηρό έδαφος στήριξης ή οι ασταθείς επιφάνειες πατήματος (π.χ. πάνω σε σκάλα) μπορεί να προκαλέσουν απώλεια της ισορροπίας ή απώλεια του ελέγχου του αλυσοπρίονου. Να φροντίζετε για ασφαλή στήριξη στα πόδια σας και να διατηρείτε πάντα την ισορροπία σας. Έτσι μπορείτε να ελέγχετε καλύτερα το αλυσοπρίονο σε μη αναμενόμενες καταστάσεις.
- Μην εργάζεστε με το αλυσοπρίονο ενώ είστε ανεβασμένοι πάνω σε δέντρο. Σε περίπτωση χρήσης πάνω σε δέντρο υπάρχει κίνδυνος τραυματισμού.
- Ποτέ μην κόβετε με το πριόνι πάνω από το ύψος ώμων.
- Κρατάτε το αλυσοπρίονο πάντα με το δεξί σας χέρι στην πίσω λαβή και το αριστερό σας χέρι στην μπροστινή λαβή. Αν κρατάτε το αλυσοπρίονο σε αντίστροφη στάση εργασίας αυξάνεται ο κίνδυνος τραυματισμών και αυτό δεν επιτρέπεται.

- Όταν είναι σε λειτουργία το αλυσοπρίονο κρατάτε όλα τα μέρη του σώματος μακριά από την αλυσίδα πριονιού. Πριν την εκκίνηση του αλυσοπρίονου, βεβαιωθείτε ότι η αλυσίδα πριονιού δεν έρχεται σε επαφή με τίποτα. Κατά την εργασία με αλυσοπρίονο, μπορεί μια στιγμή απροσεξίας να προκαλέσει εμπλοκή ρουχισμού ή μελών του σώματος από την αλυσίδα πριονιού.
- Απενεργοποιήστε αμέσως το αλυσοπρίονο αν διαπιστώσετε αισθητές μεταβολές στη συμπεριφορά της συσκευής.
- Αν το αλυσοπρίονο έχει έρθει σε επαφή με πέτρες, καρφιά ή άλλα σκληρά αντικείμενα, σταματήστε άμεσα το μοτέρ και ελέγξτε την αλυσίδα πριονιού και τη ράγα-οδηγό για ζημιές.
- Μην αφήνετε το αλυσοπρίονο να πέφτει, μην το χτυπάτε πάνω σε εμπόδια και ποτέ μη χρησιμοποιείτε τη ράγα-οδηγό σαν μοχλό.
- Κόβετε μόνο ξύλο με το αλυσοπρίονο.
- Σε περίπτωση που κόβετε ένα κλαδί που βρίσκεται υπό μηχανική τάση, πρέπει να υπολογίζετε ότι αυτό θα κινηθεί πίσω υπό την επίδραση αυτών των τάσεων. Όταν ελευθερωθεί η μηχανική τάση στις ίνες του ξύλου, μπορεί το κλαδί που βρίσκεται υπό μηχανική τάση να χτυπήσει τον χειριστή και/ή να θέσει το αλυσοπρίονο εκτός ελέγχου.
- Προσέχετε ιδιαίτερα κατά την κοπή Προχωράτε ιδιαίτερα προσεκτικά κατά την κοπή χαμόκλαδων και νεαρών δένδρων. Το λεπτό υλικό μπορεί να πιαστεί στην αλυσίδα πριονιού και να σας χτυπήσει ή να σας κάνει να χάσετε την ισορροπία σας.

## 7.7 Κραδασμοί

### ⚠ ΠΡΟΕΙΔΟΠΟΙΗΣΗ

Αποφεύγετε τους κινδύνους από κραδασμούς, π.χ. τον κίνδυνο συνδρόμου λευκών δακτύλων (διαταραχές της αιμάτωσης) κάνοντας συχνά διαλείμματα κατά την εργασία, στα οποία π.χ. τρίβετε μεταξύ τους τις παλάμες.

- Φοράτε πάντα προστατευτικά γάντια και προσέχετε να είναι πάντα ζεστά τα χέρια σας.
- Προσέχετε να είναι πάντα ακονισμένη η αλυσίδα.
- Κάνετε τακτικά διαλείμματα εργασίας.

## 7.8 Μέτρα προφύλαξης από ανάδραση

### ⚠ ΠΡΟΕΙΔΟΠΟΙΗΣΗ

Κατά την εργασία προσέχετε για ανάδραση της συσκευής. Υπάρχει κίνδυνος τραυματισμού. Αποφεύγετε συμβάντα ανάδρασης αν είστε προσεκτικοί και χρησιμοποιείτε σωστή τεχνική κοπής.

- Τυχόν επαφή με τη μύτη λάμας αλυσοπριονίου μπορεί σε ορισμένες περιπτώσεις να επιφέρει μη αναμενόμενη αντίδραση με κατεύθυνση προς τα πίσω, κατά την οποία η ράγα-οδηγός τινάζεται προς τα πάνω και προς την κατεύθυνση του χειριστή.
- Ανάδραση μπορεί να προκύψει όταν η μύτη της ράγας-οδηγού έρθει σε επαφή με ένα αντικείμενο ή όταν το ξύλο λυγίσει και η αλυσίδα πριονιού σφηνώσει μέσα στην τομή.
- Αν προκύψει σφήνωμα της αλυσίδας πριονιού στην πάνω ακμή της ράγας-οδηγού, το αλυσοπρίονο μπορεί να εκτιναχτεί γρήγορα και ανεξέλεγκτα προς την κατεύθυνση του χειριστή.
- Αν προκύψει σφήνωμα της αλυσίδας πριονιού στην κάτω ακμή της ράγας-οδηγού, το αλυσοπρίονο μπορεί να τραβηχτεί γρήγορα και ανεξέλεγκτα από τον χειριστή.
- Να είστε εξαιρετικά προσεκτικοί όταν χρησιμοποιείτε το αλυσοπρίονο για τη συνέχιση μιας κοπής που είχε αρχίσει πριν.
- Μην κόβετε με το πριόνι κλαδιά ή κομμάτια ξύλου τα οποία θα μπορούσαν να αλλάξουν θέση κατά τη διάρκεια της διαδικασίας κοπής με το πριόνι ή στα οποία η τομή κλείνει κατά την εξέλιξη της διαδικασίας κοπής με το πριόνι.
- Κάθε ένα από αυτά τα είδη αντίδρασης μπορεί να προκαλέσει απώλεια του ελέγχου του πριονιού και ενδεχομένως βαρύ τραυματισμό σας. Μη βασίζεστε αποκλειστικά στις διατάξεις ασφαλείας που είναι ενσωματωμένες στο αλυσοπρίονο. Σαν χρήστης αλυσοπριονίου πρέπει να παίρνετε διάφορα μέτρα για να εργάζεστε χωρίς ατυχήματα και τραυματισμούς.

Μια ανάδραση είναι συνέπεια ακατάλληλης ή λανθασμένης χρήσης. Μπορεί να αποτραπεί με κατάλληλα μέτρα προφύλαξης, όπως περιγράφεται παρακάτω:

- Κρατάτε το πριόνι σταθερά και με τα δύο χέρια, με τους αντίχειρες και τα δάχτυλα να περιβάλλουν τις λαβές του αλυσοπριονίου. Φέρνετε το σώμα και τους βραχίονές σας σε θέση ώστε να μπορείτε να αντισταθείτε στις δυνάμεις ανάδρασης. Αν ληφθούν κατάλληλα μέτρα, μπορεί ο χειριστής να υπερνικήσει τις δυνάμεις ανάδρασης. Ποτέ μην αφήνετε ελεύθερο το αλυσοπρίονο.
- Αποφεύγετε μια μη φυσιολογική στάση σώματος και μην κόβετε πάνω από το ύψος ώμων. Με αυτόν τον τρόπο αποφεύγεται τυχόν αθέλητη επαφή με τη μύτη λάμας αλυσοπριονίου και δίνεται η δυνατότητα για καλύτερο έλεγχο του αλυσοπριονίου σε μη αναμενόμενες καταστάσεις.

- Χρησιμοποιείτε πάντα τις ανταλλακτικές ράγες-οδηγούς και αλυσίδες πριονιού που συνιστά ο κατασκευαστής. Οι λανθασμένες ανταλλακτικές ράγες-οδηγοί και αλυσίδες πριονιού μπορεί να γίνουν αιτία να κοπεί η αλυσίδα πριονιού και/ή να προκληθεί ανάδραση.
- Τηρείτε τις οδηγίες του κατασκευαστή για το ακόνισμα και τη συντήρηση της αλυσίδας πριονιού. Ένας πολύ χαμηλός περιοριστής βάθους αυξάνει την τάση προς ανάδραση.
- Μην κόβετε με τη μύτη της λάμας πριονιού. Υπάρχει κίνδυνος ανάδρασης. (Εικ. 7)
- Βεβαιωθείτε ότι δεν υπάρχουν κανένα καρφί ή άλλα μεταλλικά κομμάτια στην περιοχή κοπής. Προσέχετε ιδιαίτερα για τυχόν καρφί ή μεταλλικό κομμάτι γύρω από την περιοχή κοπής. Να προσέχετε πάντα κατά την κοπή σκληρών ξύλων, στα οποία μπορεί να πιαστεί η αλυσίδα. Με αυτό τον τρόπο μπορεί να προκληθεί ανάδραση.
- Αρχίστε την κοπή με πλήρη ισχύ και διατηρείτε το αλυσοπρίονο πάντα στη μέγιστη ταχύτητα κατά τη διάρκεια της κοπής.
- Φροντίζεται να μην υπάρχουν στο έδαφος αντικείμενα πάνω στα οποία μπορεί να σκοντάψετε.

## 7.9 Συμπεριφορά και τεχνική κατά την εργασία

- Εργάζεστε μόνο σε καλές συνθήκες ορατότητας και φωτισμού. Προσέχετε ιδιαίτερα για γλίτσα, υγρασία, πάγο και χιόνι (κίνδυνος ολίσθησης). Υπάρχει αυξημένος κίνδυνος ολίσθησης πάνω σε φρεσκο-αποφλοιωμένο ξύλο (φλοιό δένδρων).
- Ποτέ μην εργάζεστε σε ασταθές υπόβαθρο. Προσέχετε για εμπόδια στην περιοχή εργασίας, κίνδυνος σκοντάμματος. Πρέπει να προσέχετε συνεχώς για σταθερή στάση σώματος.
- Ποτέ μην κόβετε με το πριόνι πάνω από το ύψος ώμων.
- Ποτέ μην κόβετε με το πριόνι ενώ στέκεστε πάνω σε σκάλες.
- Ποτέ μην ανεβαίνετε με το αλυσοπρίονο στο δένδρο και μη διενεργείτε εργασίες χωρίς κατάλληλα συστήματα συγκράτησης και για τον άνθρωπο και για το μηχανήμα. Συνιστούμε να διενεργείτε πάντα τις εργασίες από μια πλατφόρμα εργασίας.
- Ποτέ μην εργάζεστε σκυμμένοι πολύ προς τα εμπρός.
- Καθοδηγείτε το αλυσοπρίονο με τρόπο ώστε να μη βρισκείται κανένα μέρος του σώματος στο διευρυμένο εύρος στροφής της αλυσίδας πριονιού.
- Κόβετε μόνο ξύλο με το αλυσοπρίονο.
- Μη φέρνετε την κινούμενη αλυσίδα πριονιού σε επαφή με το έδαφος.

- Καθαρίζετε την περιοχή της κοπής από ξένα σώματα όπως άμμο, πέτρες, καρφιά κλπ. Τα ξένα σώματα προξενούν ζημιά στη διάταξη πριονιού και μπορούν να προκαλέσουν επικίνδυνη ανάδραση (κλώτσημα) αλλά και να εκτοξευτούν.
- Κατά την κοπή πιστήρις ξυλείας, χρησιμοποιείτε ασφαλές υποστήριγμα (καβαλέτο πριονιού αν αυτό είναι εφικτό). Το ξύλο δεν επιτρέπεται να συγκρατείται με το πόδι ή από άλλο άτομο.
- Πρέπει να ασφαλιζέτε τα στρογγυλά ξύλα έναντι περιστροφής κατά την κοπή.
- Ποτέ μην εργάζεστε χωρίς προφυλακτήρα με νύχια, το αλυσοπρίονο μπορεί να τραβήξει τον χειριστή προς τα εμπρός. Χρησιμοποιείτε τον προφυλακτήρα με νύχια για την κοπή κούτσουρων ή χονδρών κλαδιών. Η χρήση του προφυλακτήρα με νύχια αυξάνει την ασφάλεια της εργασίας, μειώνει τη σωματική καταπόνηση κατά την εργασία και συμβάλλει στη μείωση των κραδασμών.
- Σε τομές για ρίψη δένδρων και κοπές μείωσης μήκους, πρέπει ο πήχης με δόντια (ο προφυλακτήρας με νύχια) να τοποθετείται στο ξύλο που πρόκειται να κοπεί. Η χρήση του πήχη με δόντια συνιστάται και για τη διαμετρή κοπή χονδρών κλαδιών.
- Πριν από κάθε κοπή μείωσης μήκους, τοποθετήστε σταθερά τον πήχη με δόντια και μόνον τότε κόψτε το ξύλο με την αλυσίδα πριονιού ήδη σε κίνηση. Κρατάτε το πριόνι ψηλά από την πίσω λαβή και καθοδηγείτε το από την πεταλοειδή λαβή. Ο πήχης με δόντια χρησιμεύει ως σημείο περιστροφής. Η προώθηση επιτυγχάνεται με ελαφρά πίεση στην πεταλοειδή λαβή. Ταυτόχρονα τραβάτε το αλυσοπρίονο ελαφρά προς τα πίσω. Τοποθετήστε τον πήχη με δόντια βαθύτερα και πάλι ανυψώστε την πίσω λαβή.
- Προσοχή κατά την κοπή ξύλου που παράγει σχίζες. Μπορεί να τραβηχτούν μαζι και κομμένα κομμάτια ξύλου (κίνδυνος τραυματισμού).
- Κατά την κοπή με την πάνω ακμή της ράγας μπορεί το αλυσοπρίονο να τιναχτεί στην κατεύθυνση του χειριστή, αν σφηνώσει η αλυσίδα πριονιού. Επομένως χρησιμοποιείτε την κάτω πλευρά της ράγας για την κοπή όταν αυτό είναι εφικτό, επειδή σε αυτή την περίπτωση το αλυσοπρίονο έλκεται αντίθετα από το σώμα, προς την κατεύθυνση του ξύλου.
- Το ξύλο υπό μηχανική τάση πρέπει πάντα να κόβεται με τομή πρώτα στην πλευρά πίεσης. Κατόπιν μπορεί να γίνει η τομή διαχωρισμού στην πλευρά εφελκυσμού. Έτσι αποφεύγετε το σφήνωμα της ράγας.

- Κατά την εργασία εντός του φυλλώματος ενός δέντρου, το αλυσοπρίονο μπορεί να σας πέσει κάτω. Μπορεί να προκληθούν σοβαροί τραυματισμοί ατόμων και να προκύψουν υλικές ζημιές. Ασφαλιζέτε το αλυσοπρίονο με τη διάταξη ανάρτησης.
- Πριν καθοδηγήσετε την αλυσίδα πριονιού στην περιοχή κοπής, μπορεί να προκύψει πλευρική ολίσθηση ή αναπήδηση του αλυσοπρίονου.

## ΠΡΟΣΟΧΗ

### **Αυξημένος κίνδυνος ανάδρασης!**

Για να διατηρείτε πλήρως τον έλεγχο κατά τη στιγμή της ολοκλήρωσης «διαμετρικής κοπής», κατά το τέλος της κοπής μειώστε την πίεση που εφαρμόζετε, χωρίς να αφήσετε τη σταθερή λαβή του αλυσοπρίονου από τις λαβές του. Προσέχετε να μην έρθει η αλυσίδα πριονιού σε επαφή με το έδαφος. Μετά την ολοκλήρωση της κοπής, περιμένετε έως ότου ακινητοποιηθεί πλήρως η αλυσίδα πριονιού, πριν απομακρύνετε το αλυσοπρίονο. Πάντα απενεργοποιείτε το μοτέρ του αλυσοπρίονου πριν αλλάξετε δένδρο.

## ΠΡΟΕΙΔΟΠΟΙΗΣΗ

Σε εργασίες σχετικά μεγάλης διάρκειας μπορεί λόγω κραδασμών στα χέρια του χειριστή να προκληθούν αγγειακές διαταραχές (σύνδρομο λευκών δακτύλων).

Το σύνδρομο λευκών δακτύλων είναι μια αγγειακή πάθηση στην οποία τα μικρά αιμοφόρα αγγεία στα δάκτυλα χεριών και ποδιών μπορούν να υποστούν αιφνίδιους σπασμούς. Οι περιοχές που επηρεάζονται δεν τροφοδοτούνται πλέον επαρκώς με αίμα και για το λόγο αυτόν φαίνονται εξαιρετικά ωχρές. Η συχνή χρήση δορυόμενων συσκευών μπορεί να προκαλέσει βλάβες του νευρικού συστήματος σε συστήματα των οποίων η ροή του αίματος είναι υποβαθμισμένη (π.χ. καπνιστές, διαβητικοί).

Αν παρατηρήσετε ασυνήθιστα συμπτώματα, σταματήστε άμεσα την εργασία και επισκεφθείτε ένα γιατρό.

Τηρείτε τις ακόλουθες υποδείξεις για να μειώσετε τους κινδύνους:

- Διατηρείτε το σώμα και ιδιαίτερα τα χέρια σας ζεστά όταν είναι κρύος ο καιρός.
- Κάνετε συχνά διαλείμματα και τότε κινείτε τα χέρια σας για να βελτιώσετε την κυκλοφορία του αίματος.
- Φροντίζετε να υπάρχουν όσο το δυνατόν λιγότεροι κραδασμοί του μηχανήματος με τακτική συντήρηση και σταθερά τοποθετημένα εξαρτήματα στη συσκευή.

## 7.10 Υπολειπόμενοι κίνδυνοι

### ΚΙΝΔΥΝΟΣ

#### ΚΙΝΔΥΝΟΣ ΤΡΑΥΜΑΤΙΣΜΟΥ!

Η επαφή με την αλυσίδα πριονιού μπορεί να προκαλέσει τραυματισμούς λόγω κοπής.

Ποτέ μην πιάνετε με τα χέρια σας την αλυσίδα πριονιού ενώ κινείται.

#### ΚΙΝΔΥΝΟΣ ΑΝΑΔΡΑΣΗΣ!

Η ανάδραση μπορεί να προκαλέσει θανάσιμους τραυματισμούς από κοπή.

#### ΚΙΝΔΥΝΟΣ ΕΓΚΑΥΜΑΤΩΝ!

Η αλυσίδα και η ράγα-οδηγός θερμαίνονται κατά τη λειτουργία.

**Η συσκευή έχει κατασκευαστεί σύμφωνα με τις τελευταίες εξελίξεις της τεχνολογίας και βάσει των καθιερωμένων τεχνικών κανόνων ασφαλείας. Ωστόσο, κατά την εργασία μπορεί να προκύψουν μεμονωμένοι υπολειπόμενοι κίνδυνοι.**

Επιπλέον, μπορεί παρά όλες τις λαμβανόμενες προφυλάξεις να προκύψουν μη προφανείς υπολειπόμενοι κίνδυνοι.

Οι υπολειπόμενοι κίνδυνοι μπορούν να ελαχιστοποιηθούν όταν τηρούνται οι «Υποδείξεις ασφαλείας» και η «Προβλεπόμενη χρήση», καθώς και οι οδηγίες χειρισμού.

## 8. Τεχνικά χαρακτηριστικά

Μηχάνημα χωρίς λάμα

Μήκος x Πλάτος x Ύψος.....270 x 230 x 240 mm

Βάρος με κενά ρεζερβουάρ, χωρίς

κοπτικά εξαρτήματα περ..... 3,4 kg

Βάρος με κενά ρεζερβουάρ, με κοπτικά

εξαρτήματα περ..... 3,8 kg

Ρεζερβουάρ για λάδι λίπανσης αλυσίδας ..... 0,16 l

Χωρητικότητα ρεζερβουάρ καυσίμου.....0,23 l

Μείγμα καυσίμου-λαδιού..... 1:40

Μήκος κοπής..... 20 cm

Μήκος λάμας ..... 30 cm

Αυτόματη λίπανση αλυσίδας.....ναι

Βήμα αλυσίδας.....3/8" (9,525 mm)

Πάχος κρίκων αλυσίδας ..... 1,27 mm

Τύπος αλυσίδας.....3/8LP-40

Αριθμός δοντιών κινητήριου τροχού αλυσίδας.....6

Βήμα δοντιών κινητήριου τροχού αλυσίδας.....3/8"

Τύπος λάμας.....AP10-40-509P

Ταχύτητα αλυσίδας, μέγ. ....	21 m/s
Μοτέρ.....	1 κυλίνδρου, 2 χρόνων αερόψυκτο
Κυβισμός του μοτέρ.....	25,4 cm <sup>3</sup>
Μέγ. ισχύς μοτέρ κατά ISO 7293.....	0,7 kW
Αριθμός στροφών χωρίς φορτίο n <sub>0</sub> .....	3300 ± 300 min <sup>-1</sup>
Μέγιστος αριθμός στροφών με κοπτικά εξαρτήματα .....	11000 min <sup>-1</sup>
Μπουζί.....	L8RTC

**Η στάθμη ηχητικής πίεσης πρέπει να μειώνεται, ανάλογα με τη χρήση και τις προς εκτέλεση εργασίες, τόσο ώστε να μην υπάρξουν επιπτώσεις στην υγεία του χειριστή. Η στάθμη ηχητικής πίεσης στον χώρο εργασίας μπορεί να υπερβαίνει τα 80 dB. Στην περίπτωση αυτή απαιτούνται μέτρα προστασίας από τον θόρυβο (π.χ. χρήση εξοπλισμού για προστασία της ακοής).**

**Περιορίστε στο ελάχιστο την παραγωγή θορύβου και τους κραδασμούς!**

- Χρησιμοποιείτε μόνο συσκευές που είναι σε άψογη κατάσταση.
- Συντηρείτε και καθαρίζετε τακτικά τη συσκευή.
- Προσαρμόζετε τον τρόπο εργασίας σας στη συσκευή.
- Μην υπερφορτώνετε τη συσκευή.
- Αν χρειάζεται δώστε τη συσκευή για έλεγχο.
- Απενεργοποιείτε τη συσκευή όταν δεν χρησιμοποιείται.
- Φοράτε γάντια.

Μετρηθείσα στάθμη ηχητικής πίεσης L<sub>PA</sub>..... 99,2 dB

Αβεβαιότητα K<sub>PA</sub>..... 3 dB

Εγγυημένη στάθμη ηχητικής ισχύος L<sub>WA</sub>..... 113 dB

Μετρημένη επίπεδο στάθμης ήχου L<sub>WA</sub>..... 108,7 dB

Αβεβαιότητα K<sub>WA</sub>..... 3 dB

Κραδασμοί, μπροστινή χειρολαβή..... 8,98 m/s<sup>2</sup>

Κραδασμοί, πίσω χειρολαβή..... 8,03 m/s<sup>2</sup>

Αβεβαιότητα ..... 1,5 m/s<sup>2</sup>

#### Φοράτε ωτασπίδες.

Η επίδραση του θορύβου ενδέχεται να προκαλέσει απώλεια ακοής.

Οι αναφερόμενες τιμές εκπομπών θορύβου έχουν μετρηθεί σύμφωνα με μια τυποποιημένη διαδικασία εξέτασης και μπορούν να χρησιμοποιηθούν για τη σύγκριση μιας συσκευής με μια άλλη.

Οι αναφερόμενες τιμές εκπομπών θορύβου μπορούν να χρησιμοποιηθούν και για μια προσωρινή αξιολόγηση της καταπόνησης.

### Προειδοποίηση:

- Κατά τη χρήση της συσκευής στην πράξη, οι εκπομπές θορύβου μπορεί να αποκλίνουν από τις αναφερόμενες τιμές, ανάλογα με τον τρόπο και μέθοδο χρήσης της συσκευής, και ιδιαίτερας, με τον τρόπο επεξεργασίας του αντικειμένου εργασίας.
- Προσπαθείτε να διατηρείτε όσο το δυνατόν μικρότερη την καταπόνηση. Παράδειγμα μέτρου: ο περιορισμός του χρόνου εργασίας. Για την εκτίμηση της καταπόνησης πρέπει να λαμβάνονται υπόψη όλα τα μέρη του κύκλου λειτουργίας (για παράδειγμα, τα χρονικά διαστήματα κατά τα οποία η συσκευή είναι απενεργοποιημένη, και αυτά κατά τα οποία είναι ενεργοποιημένη αλλά λειτουργεί χωρίς καταπόνηση από φορτίο).

## 9. Πριν από τη θέση σε λειτουργία

1. Ανοίξτε τη συσκευασία και αφαιρέστε προσεκτικά τη συσκευή.
2. Απομακρύνετε το υλικό συσκευασίας καθώς και τα ασφαλιστικά συσκευασίας και μεταφοράς (εφόσον υπάρχουν).
3. Ελέγξτε εάν είναι πλήρης η παράδοση.
4. Ελέγξτε τη συσκευή και τα αξεσουάρ για τυχόν ζημιές από τη μεταφορά.
5. Φυλάξτε τη συσκευασία κατά το δυνατό μέχρι τη λήξη της εγγύησης.
6. Αφαιρέστε τις σύντομες οδηγίες από τον μηχανισμό σχοινιού εκκίνησης (8).

### ΠΡΟΣΟΧΗ

Η συσκευή και τα υλικά συσκευασίας δεν είναι παιδικά παιχνίδια! Τα παιδιά δεν επιτρέπεται να παίζουν με πλαστικές σακούλες, μεμβράνες και μικροεξαρτήματα! Υπάρχει κίνδυνος κατάποσης και ασφυξίας!

### 9.1 Εγκατάσταση της ράγας-οδηγού (2) και της αλυσίδας πριονιού (1)

#### ⚠ ΠΡΟΕΙΔΟΠΟΙΗΣΗ

#### Κίνδυνος τραυματισμού!

Φοράτε πάντα προστατευτικά γάντια όταν αγγίζετε την αλυσίδα πριονιού (1). Κίνδυνος τραυματισμού από αιχμηρά κοπτικά δόντια!

Χρησιμοποιείτε μόνο επιτρεπόμενους συνδυασμούς αλυσίδας πριονιού (1) και ράγας-οδηγού (2) (βλ. κεφάλαιο «Επιτρεπόμενα εξαρτήματα κοπής»).

Διενεργείτε τη συναρμολόγηση πάντα με απενεργοποιημένο το μοτέρ.

### Υπόδειξη!

Μια καινούργια αλυσίδα πριονιού (1) επιμηκώνεται γρήγορα και πρέπει να τεντώνεται πιο συχνά. Ελέγχετε τακτικά την τάση αλυσίδας και ρυθμίζετε τη συμπληρωματικά.

Ανάλογα με τη φθορά μπορεί η ράγα-οδηγός (2) να αντιστραφεί.

1. Αποθέστε το αλυσοπρίονο πάνω σε μια οριζόντια, σταθερή επιφάνεια στήριξης.
2. Τραβήξτε την μπροστινή προστασία χεριών (3) έως τον αναστολέα προς τα πίσω, για να λύσετε το φρένο αλυσίδας. (Εικ. 2)
3. Αφαιρέστε τα δύο παξιμάδια στερέωσης (16) χρησιμοποιώντας το μπουζόκλειδο (20).
4. Αφαιρέστε το κάλυμμα γραναζιού αλυσίδας (17).
5. Περιστρέψτε τη βίδα τάνυσης αλυσίδας (23) αριστερόστροφα (αντίθετα με τη φορά των δεικτών του ρολογιού), έως ότου ο πείρος τάνυσης αλυσίδας (26) βρίσκεται στον δεξιό αναστολέα (Εικ. 3). Για τον σκοπό αυτόν χρησιμοποιήστε το κατσαβίδι με ίσια μύτη (20).
6. Περάστε τη διαμήκη οπή της ράγας-οδηγού (2) πάνω στους δύο προεξέχοντες πείρους στερέωσης (29).
7. Περάστε την αλυσίδα πριονιού (1) πάνω στην οδόντωση του γραναζιού αλυσίδας (27). Περάστε την αλυσίδα πριονιού (1) με καλή εφαρμογή στην κατεύθυνση που αναφέρεται πάνω στη ράγα-οδηγό (2). Μέσα στη μύτη της ράγας-οδηγού (2) υπάρχει ένας οδοντωτός τροχός (30) στην οδόντωση του οποίου πρέπει να εισαχθεί η αλυσίδα πριονιού (1). (Εικ. 6 και 18)
8. Τραβήξτε λίγο τη ράγα-οδηγό (2) για να τεντώσετε ελαφρά προκαταβολικά την αλυσίδα πριονιού (1).
9. Τοποθετήστε πάλι το κάλυμμα γραναζιού αλυσίδας (17). Προσέξτε ώστε ο εσωτερικός πείρος τάνυσης αλυσίδας (26) να εφαρμόσει μέσα στην κατάλληλη οπή διάτρησης της ράγας-οδηγού (2). Αν χρειάζεται, ρυθμίστε τη βίδα τάνυσης αλυσίδας (23) χρησιμοποιώντας το κατσαβίδι με ίσια μύτη (20).
10. Βιδώστε τα δύο παξιμάδια στερέωσης (16) με το χέρι. Προσέξτε να μην τα σφίξετε ακόμα. Συσφίξτε τα παξιμάδια στερέωσης (16) μόνο μετά το τέντωμα της αλυσίδας πριονιού (1).



## 9.2 Τέντωμα και έλεγχος της αλυσίδας πρινιού (1)

### ⚠ ΠΡΟΕΙΔΟΠΟΙΗΣΗ

Φοράτε προστατευτικά γάντια! Κίνδυνος τραυματισμού από αιχμηρά κοπτικά δόντια!

Ελέγχετε τακτικά την τάνυση αλυσίδας πριν από κάθε θέση σε λειτουργία.

Πραγματοποιείτε πάντα ελέγχους πριν από την εκκίνηση και με τον κινητήρα σβηστό.

1. Πριν το τέντωμα πρέπει να λασκάρετε λίγο τα δύο παξιμάδια στερέωσης (16) χρησιμοποιώντας το μπουζόκλειδο (20).
2. Περιστρέψτε τη βίδα τάνυσης αλυσίδας (23) δεξιόστροφα με το καταβίδι με ίσια μύτη (20) για να αυξήσετε την τάνυση.
3. Σφίξτε τα δύο παξιμάδια στερέωσης (16) χρησιμοποιώντας το μπουζόκλειδο (20).
4. Η αλυσίδα πρινιού (1) πρέπει να είναι σε επαφή με την κάτω πλευρά της λάμας. Ελέγξτε αν η αλυσίδα πρινιού (1) (με ελευθερωμένο φρένο αλυσίδας, τραβήξτε την μπροστινή προστασία χεριών (3) προς τα πίσω) μπορεί να τραβηχτεί με το χέρι πάνω από τη ράγα-οδηγό (2).

### ΥΠΟΔΕΙΞΗ

Μια καινούργια αλυσίδα πρινιού (1) επιμηκύνεται γρήγορα και πρέπει να τεντώνεται πιο συχνά.

## 9.3 Ανάμειξη καυσίμου

Το μοτέρ πρέπει να λειτουργεί με μείγμα καυσίμου από βενζίνη και λάδι κινητήρα.

### ⚠ ΠΡΟΕΙΔΟΠΟΙΗΣΗ

Αποφεύγετε την άμεση επαφή του δέρματος με καύσιμο και την εισπνοή ατμών καυσίμου.

Χρησιμοποιείτε μόνο μείγμα που αποτελείται από αμόλυβδη βενζίνη (ελάχ. αρ. οκτανίων 95) και ειδικό λάδι 2χρονων κινητήρων (JASO FD/ISO - L - EGD). Αναμιγνύετε το μείγμα καυσίμου σύμφωνα με τον πίνακα ανάμειξης καυσίμου. Προσθέτετε την εκάστοτε σωστή ποσότητα βενζίνης και λαδιού 2χρονων κινητήρων στο παρεχόμενο δοχείο ανάμειξης (22) (βλ. «Πίνακας ανάμειξης καυσίμου»). Κατόπιν ανακινείτε καλά το δοχείο ανάμειξης (22).

## 9.3.1 Πίνακας ανάμειξης καυσίμου

**Διαδικασία ανάμειξης: 40 μέρη βενζίνη προς 1 μέρος λαδιού**

**Βενζίνη ..... Λάδι 2χρονων κινητήρων  
0,5 λίτρο ..... 12,5 ml**

## 9.4 Προσθήκη καυσίμου (Εικ. 8)

### ⚠ ΠΡΟΕΙΔΟΠΟΙΗΣΗ

Προσθέτετε το καύσιμο μόνο αφού έχει απενεργοποιηθεί και κρυώσει το μοτέρ. Υπάρχει κίνδυνος πυρκαγιάς!

1. Καθαρίζετε πάντα την περιοχή γύρω από την τάπα ρεζερβουάρ καυσίμου (13) πριν την προσθήκη καυσίμου, ώστε να μην πέσουν ακαθαρσίες μέσα στο ρεζερβουάρ καυσίμου. Για το σκοπό αυτό χρησιμοποιείτε ένα στεγνό πανί που δεν αφήνει χνούδι.
2. Αφήστε τη συσκευή στο πλάι της, ώστε η τάπα ρεζερβουάρ καυσίμου (13) να είναι στραμμένη προς τα πάνω.
3. Περιστρέψτε την τάπα ρεζερβουάρ καυσίμου (13) αριστερόστροφα και ανοίξτε την. Η τάπα ρεζερβουάρ καυσίμου (13) συνδέεται με μια ασφάλιση μέσα στο ρεζερβουάρ καυσίμου και έτσι δεν μπορεί να πέσει κάτω.
4. Προσθέστε το μείγμα καυσίμου στο ρεζερβουάρ καυσίμου. Κατά τον ανεφοδιασμό με καύσιμο μη σας χύνεται καύσιμο και μη γεμίζετε τελείως το ρεζερβουάρ καυσίμου.
5. Σκουπίζετε αμέσως το καύσιμο που τυχόν χυθεί.
6. Περιστρέψτε την τάπα ρεζερβουάρ καυσίμου (13) δεξιόστροφα, για να τη σφραγίσετε.

### ΥΠΟΔΕΙΞΗ

Μετά από κάθε προσθήκη καυσίμου ελέγχετε και το λάδι αλυσίδας.

## 9.5 Αποστράγγιση του καυσίμου

**Εκκενώνετε το ρεζερβουάρ καυσίμου μόνο σε ανοικτό χώρο ή σε καλά αεριζόμενους χώρους. Προσέχετε να μην εισχωρήσει καύσιμο στο έδαφος (προστασία του περιβάλλοντος). Χρησιμοποιείτε ένα κατάλληλο υπόθεμα.**

1. Κρατάτε πάντα ένα δοχείο συλλογής κάτω από το ρεζερβουάρ καυσίμου.
2. Ξεβιδώστε την τάπα ρεζερβουάρ καυσίμου (13) και αφαιρέστε τη.
3. Αφήστε να εκρεύσει πλήρως το μείγμα βενζίνης/λαδιού.
4. Βιδώστε πάλι την τάπα ρεζερβουάρ καυσίμου (13) με το χέρι.

## 9.6 Προσθήκη λαδιού αλυσίδας (Εικ. 8)

### ⚠ ΠΡΟΕΙΔΟΠΟΙΗΣΗ

Προσθέστε το λάδι αλυσίδας πριονιού μόνο αφού έχει απενεργοποιηθεί και κρυώσει το μοτέρ. Υπάρχει κίνδυνος πυρκαγιάς!

Μην εργάζεστε ποτέ χωρίς λίπανση αλυσίδας! Αν η αλυσίδα πριονιού (1) λειτουργεί χωρίς λίπανση, πολύ σύντομα θα καταστραφεί ανεπανόρθωτα ο εξοπλισμός κοπής.

Ελέγχετε πάντα τη λίπανση αλυσίδας πριν την εργασία.

### ΥΠΟΔΕΙΞΗ

Χρησιμοποιείτε μόνο λάδι αλυσίδας πριονιού. Κατά προτίμηση βιοαποικοδομήσιμου τύπου. Μη χρησιμοποιείτε μεταχειρισμένο λάδι, λάδι κινητήρα κλπ.

Κατά τη διάρκεια της εργασίας ελέγχεται αν λειτουργεί η λίπανση αλυσίδας.

1. Καθαρίζετε πάντα την περιοχή γύρω από την τάπα ρεζερβουάρ λαδιού αλυσίδας (11) πριν την προσθήκη λαδιού, ώστε να μην πέσουν ακαθαρσίες μέσα στο ρεζερβουάρ λαδιού αλυσίδας. Για το σκοπό αυτό χρησιμοποιείτε ένα στεγνό πανί που δεν αφήνει χνούδι.
2. Αφήστε τη συσκευή στο πλάι της, ώστε η τάπα ρεζερβουάρ λαδιού αλυσίδας (11) να είναι στραμμένη προς τα πάνω.
3. Περιστρέψτε την τάπα ρεζερβουάρ λαδιού αλυσίδας (11) αριστερόστροφα και ανοίξτε την. Η τάπα ρεζερβουάρ λαδιού αλυσίδας (11) συνδέεται με μια ασφάλιση μέσα στο ρεζερβουάρ λαδιού αλυσίδας και έτσι δεν μπορεί να πέσει κάτω.
4. Προσθέστε βιολογικό λάδι αλυσίδας στο ρεζερβουάρ λαδιού αλυσίδας. Κατά τον ανεφοδιασμό με λάδι αλυσίδας μη σας χύνεται λάδι αλυσίδας και μη γεμίζετε τελείως το ρεζερβουάρ λαδιού αλυσίδας.
5. Σκουπίζετε αμέσως το λάδι αλυσίδας που τυχόν χυθεί.
6. Περιστρέψτε την τάπα ρεζερβουάρ λαδιού αλυσίδας (11) δεξιόστροφα, για να τη σφραγίσετε.

## 10. Θέση σε λειτουργία

### ⚠ ΠΡΟΣΟΧΗ

Λαμβάνετε υπόψη σας τις νομικές διατάξεις σχετικά με την προστασία από θόρυβο.

Ελέγχετε τη συσκευή πριν από κάθε θέση σε λειτουργία για τα εξής:

- Στεγανότητα του συστήματος καυσίμου

- άψογη κατάσταση και πληρότητα των προστατευτικών διατάξεων και της διάταξης κοπής
- σταθερή συναρμολογή όλων των βιδωτών συνδέσεων
- Ευκολία κίνησης όλων των κινητών μερών

### Υποδειξιές εργασίας

Πριν τη χρήση εξοικειωθείτε με τον χειρισμό του αλυσοπριονου.

## 10.1 Εκκίνηση του μοτέρ

### ⚠ ΠΡΟΣΟΧΗ

Πριν την εκκίνηση του μοτέρ απομακρυνθείτε τουλάχιστον 3 μέτρα από το σημείο ανεφοδιασμού (Εικ. 9).

Τραβάτε τον μηχανισμό σχοινού εκκίνησης (8) πάντα ίσια έξω. Κρατάτε σταθερά τη λαβή του μηχανισμού σχοινού εκκίνησης (8) όταν τραβιέται πάλι μέσα ο μηχανισμός σχοινού εκκίνησης (8). Μην αφήνετε ποτέ τον μηχανισμό σχοινού εκκίνησης (8) να επιστρέφει ανεξέλεγκτα.

Αμέσως μετά την εκκίνηση του μοτέρ, αφήστε ελευθερώστε τον μοχλό γκαζιού (5). Βεβαιωθείτε ότι ο αριθμός στροφών του μοτέρ έχει επιστρέψει στις στροφές ρελαντί, πριν ελευθερώσετε το φρένο αλυσίδας (πιέστε προς τα πίσω την μπροστινή προστασία χεριών (3)).

Τραβάτε έξω τον μοχλό ψυχρής εκκίνησης (τσοκ) (14) μόνο για την εκκίνηση.

### 10.1.1 Εκκίνηση με κρύο μοτέρ

### ⚠ ΠΡΟΕΙΔΟΠΟΙΗΣΗ

Ενεργοποιείτε το φρένο αλυσίδας πριν από κάθε θέση σε λειτουργία (πιέστε την μπροστινή προστασία χεριών (3) προς τα εμπρός).

### ⚠ ΠΡΟΣΟΧΗ

Ποτέ μην αφήνετε τον μηχανισμό σχοινού εκκίνησης (8) να τινάζεται απότομα πίσω στη θέση του. Αυτό μπορεί να προκαλέσει ζημιές.

1. Αφαιρέστε το κάλυμμα της ράγας-οδηγού (21).
2. Αποθέστε το αλυσοπριονό πάνω σε μια σταθερή και οριζόντια επιφάνεια στήριξης. Η αλυσίδα πριονιού (1) δεν πρέπει να έρθει σε επαφή με το εδαφός.
3. Πιέστε την μπροστινή προστασία χεριών (3) προς τα εμπρός, μέχρι να ασφαλίσει. Η αλυσίδα πριονιού (1) μπλοκάρεται από το φρένο αλυσίδας.
4. Πιέστε 7 φορές την αντλία καυσίμου «Primer» (αρχικής πλήρωσης) (4). (Εικ. 1)

5. Θέστε τον διακόπτη ενεργοποίησης / απενεργοποίησης (15) στη θέση ενεργοποίησης «ON». (Εικ. 1)
6. Τραβήξτε έξω τον μοχλό ψυχρής εκκίνησης (τσοκ) (14). (Εικ. 10.2)
7. Κρατήστε το αλυσοπρίονο σταθερά από την μπροστινή χειρολαβή (12) και τραβήξτε τον μηχανισμό σχοινοίου εκκίνησης (8) αργά έως ότου αισθανθείτε την πρώτη αντίσταση.
8. Τραβήξτε γρήγορα τον μηχανισμό σχοινοίου εκκίνησης (8), μέχρι να ξεκινήσει το μοτέρ. Αν δεν ξεκινήσει το μοτέρ, επαναλάβετε τη διαδικασία. Όσο είναι τραβηγμένος έξω ο μοχλός ψυχρής εκκίνησης (τσοκ) (14), το μοτέρ τίθεται σε λειτουργία για λίγο και μετά σβήνει πάλι.
9. Μόλις σβήσει το μοτέρ, πατήστε την ασφάλιση μοχλού γκαζιού (7) και τον μοχλό γκαζιού (5) μαζί. Ο μοχλός ψυχρής εκκίνησης (τσοκ) (14) μεταβαίνει αυτόματα στη θέση λειτουργίας «Θερμή εκκίνηση». (Εικ. 10.1)
10. Τώρα τραβήξτε πάλι γρήγορα τον μηχανισμό σχοινοίου εκκίνησης (8), μέχρι να ξεκινήσει το μοτέρ.

Αν το μοτέρ δεν ξεκινά μετά από αρκετές προσπάθειες, διαβάστε το κεφάλαιο «Αντιμετώπιση προβλημάτων».

## ΥΠΟΔΕΙΞΗ

Αν επικρατούν υψηλές εξωτερικές θερμοκρασίες, μπορεί να χρειαστεί εκκίνηση χωρίς μοχλό ψυχρής εκκίνησης (τσοκ) (14) ακόμα και με κρύο μοτέρ!

- Λύστε το φρένο αλυσίδας τραβώντας προς τα πίσω την μπροστινή προστασία χεριών (3). (Εικ. 2)
- **ΠΡΟΣΟΧΗ!** Τώρα έχει λυθεί το φρένο αλυσίδας. Αν πατηθεί ο μοχλός γκαζιού (5) μαζί με την ασφάλιση μοχλού γκαζιού (7) αρχίζει να κινείται η αλυσίδα πριονιού (1).

### 10.1.2 Εκκίνηση με ζεστό μοτέρ

**(Η συσκευή έχει ακινητοποιηθεί για λιγότερο από 1520 λεπτά.)**

#### ⚠ ΠΡΟΕΙΔΟΠΟΙΗΣΗ

Ενεργοποιείτε το φρένο αλυσίδας πριν από κάθε θέση σε λειτουργία (πιέστε την μπροστινή προστασία χεριών (3) προς τα εμπρός).

1. Πιέστε την μπροστινή προστασία χεριών (3) προς τα εμπρός, μέχρι να ασφαλίσει. Η αλυσίδα πριονιού (1) μπλοκάρεται από το φρένο αλυσίδας.
2. Θέστε τον διακόπτη ενεργοποίησης / απενεργοποίησης (15) στη θέση ενεργοποίησης «ON».
3. Ο μοχλός ψυχρής εκκίνησης (τσοκ) (14) δεν πρέπει να είναι τραβηγμένος έξω για την εκκίνηση του ζεστού μοτέρ.

4. Κρατήστε το αλυσοπρίονο σταθερά από την μπροστινή χειρολαβή (12) και τραβήξτε τον μηχανισμό σχοινοίου εκκίνησης (8) αργά έως ότου αισθανθείτε την πρώτη αντίσταση.
5. Τραβήξτε γρήγορα τον μηχανισμό σχοινοίου εκκίνησης (8). Η συσκευή θα πρέπει να τεθεί σε λειτουργία μετά από 12 τραβήγματα. Αν η συσκευή δεν ξεκινά ακόμα και μετά από 6 τραβήγματα, επαναλάβετε τη διαδικασία στην ενότητα «Εκκίνηση με κρύο μοτέρ».

## 10.2 Σβήσιμο του μοτέρ

### 10.2.1 Ακολουθία βημάτων για απενεργοποίηση ανάγκης

Αν είναι απαραίτητο να σταματήσετε άμεσα τη λειτουργία της συσκευής, θέστε τον διακόπτη ενεργοποίησης/ απενεργοποίησης (15) στη θέση «OFF». (Εικ. 1)

### 10.2.2 Κανονική ακολουθία βημάτων

1. Αφήστε ελεύθερο τον μοχλό γκαζιού (5). Το μοτέρ μεταβαίνει σε αριθμό στροφών ρελαντί.
2. Κατόπιν θέστε τον διακόπτη ενεργοποίησης/ απενεργοποίησης (15) στη θέση «OFF». (Εικ. 1)

## 10.3 Λειτουργία στο ρελαντί

### ⚠ ΠΡΟΣΟΧΗ

Σε λειτουργία ρελαντί δεν πρέπει να κινείται η αλυσίδα πριονιού (1).

## ΥΠΟΔΕΙΞΗ

Αν η αλυσίδα πριονιού (1) κινείται στο ρελαντί ή αν το μοτέρ σβήνει από μόνο του αν σταματάτε να πατάτε γκάζι, χρειάζεται να ρυθμιστεί το καρμπιρατέρ (βλ. κεφάλαιο «Συντήρηση των ρυθμίσεων καρμπιρατέρ»).

1. Αнуψώστε το αλυσοπρίονο.
2. Κρατήστε σταθερά την μπροστινή χειρολαβή (12) με το αριστερό χέρι.
3. Κρατήστε σταθερά με το δεξιό χέρι την πίσω χειρολαβή (6). Τότε η βάση του αντίχειρα βρίσκεται πάνω στην ασφάλιση μοχλού γκαζιού (7) και ο δείκτης χειρίζεται τον μοχλό γκαζιού (5).
4. Μετά από πάτημα του μοχλού γκαζιού (5) το μοτέρ λειτουργεί στο ρελαντί.
5. Αφήστε το μοτέρ λίγη ώρα να ζεσταθεί.

## 10.4 Έλεγχος και ρύθμιση της λίπανσης αλυσίδας

### ⚠ ΠΡΟΣΟΧΗ

- Μην εργάζεστε ποτέ χωρίς λίπανση αλυσίδας! Αν η αλυσίδα πριονιού (1) λειτουργεί χωρίς λίπανση, πολύ σύντομα θα καταστραφεί ανεπανόρθωτα ο εξοπλισμός κοπής.
- Ελέγχετε πάντα τη λίπανση αλυσίδας πριν την εργασία.

#### Υπόδειξη!

Χρησιμοποιείτε μόνο λάδι αλυσίδας πριονιού, κατά προτίμηση του βιοαποικοδομήσιμου τύπου. Μη χρησιμοποιείτε μεταχειρισμένο λάδι, λάδι κινητήρα κλπ.

Διατηρήστε το αλυσοπρίονο σε λειτουργία, σε μεσαίο αριθμό στροφών πάνω από ένα κομμένο κορμό δέντρου ή ένα κατάλληλο υπόθεμα. Αν η λίπανση είναι επαρκής, σχηματίζεται μια ελαφριά στρώση λαδιού πάνω στον κορμό δέντρου ή στο υπόθεμα.

- Αν χρειαστεί, η λίπανση αλυσίδας μπορεί να αυξηθεί ή να μειωθεί με τη βίδα ρύθμισης λαδιού (32) (Εικ. 11).
- Για το σκοπό αυτό χρησιμοποιήστε το παρεχόμενο κατασβίδι με ίσια μύτη (20):
  - Πρώτα πιέστε και μετά περιστρέψτε τη βίδα ρύθμισης λαδιού (32) δεξιόστροφα, για να μειώσετε τη λίπανση αλυσίδας.
  - Πρώτα πιέστε και μετά περιστρέψτε τη βίδα ρύθμισης λαδιού (32) αριστερόστροφα, για να αυξήσετε τη λίπανση αλυσίδας.

## 10.5 Έλεγχος φρένου αλυσίδας

### ⚠ ΠΡΟΕΙΔΟΠΟΙΗΣΗ

Το φρένο αλυσίδας πρέπει να ελέγχεται πριν από κάθε θέση σε λειτουργία.

Το φρένο αλυσίδας φρενάρει άμεσα την αλυσίδα πριονιού (1) σε περίπτωση που υπάρξει ανάδραση.

1. Προσέξτε η μπροστινή προστασία χεριών (3) να είναι απαλλαγμένη από ακαθαρσίες και να μπορεί να κινείται εύκολα.
2. Θέστε σε λειτουργία το αλυσοπρίονο και επιταχύνετε την αλυσίδα πριονιού (1) σε πλήρη ταχύτητα (πλήρες γκάζι).
3. Με την αλυσίδα πριονιού (1) σε κίνηση ενεργοποιήστε την μπροστινή προστασία χεριών (3). Το φρένο αλυσίδας πρέπει σε μέγ. ταχύτητα να φρενάρει και να μπλοκάρει την αλυσίδα πριονιού (1).

### ⚠ ΠΡΟΕΙΔΟΠΟΙΗΣΗ

Αυξημένος αριθμός στροφών του μοτέρ για μεγάλο χρονικό διάστημα με μπλοκαρισμένο το φρένο αλυσίδας προξενεί ζημιά στο μοτέρ και στο μηχανισμό κίνησης της αλυσίδας.

Αν παρόλα αυτά η αλυσίδα πριονιού (1) κινείται, επικοινωνήστε με την εξυπηρέτηση πελατών.

## 11. Χρήση

### 11.1 Εργασίες αποκλάδωσης

- Λαμβάνετε οπωσδήποτε υπόψη σας τον κίνδυνο ανάδρασης των κλαδιών.
- Μη στέκεστε πάνω στο κούτσουρο κατά την αποκλάδωση.
- Μην κόβετε με τη μύτη λάμας αλυσοπρίονου. (Εικ. 7)
- Ποτέ μην κόβετε περισσότερα από ένα κλαδιά με τη μία.
- Κατά την κοπή κλαδιών στηρίζετε όσο το δυνατόν το αλυσοπρίονο με τον προφυλακτήρα με νύχια (24).
- Προσέχετε στο τέλος της κοπής γιατί το αλυσοπρίονο μπορεί να χαμηλώσει απότομα λόγω του ίδιου του βάρους του. Ο λόγος είναι ότι δεν στηρίζεται πια μέσα στην τομή, γι' αυτό κρατήστε αντίστοιχη αντίσταση.
- Κατά την αποκλάδωση η έχετε ένα σταθερό, ισορροπημένο και ασφαλές πάτημα στα πόδια σας.

#### 11.1.1 Εργασίες αποκλάδωσης κατά τμήματα

Σε περίπτωση κλαδιών μεγάλου μήκους ή πάχους, κοντύνετε τα πριν πραγματοποιήσετε την τελική τομή διαχωρισμού. Διαφορετικά μπορεί να προκύψει εύκολα σφήνωμα της αλυσίδας πριονιού (1).

#### 11.1.2 Επεξεργασία ξύλου που βρίσκεται υπό μηχανική τάση

Πρέπει οπωσδήποτε να τηρείται η σωστή ακολουθία κατά την επεξεργασία ξύλου που βρίσκεται υπό μηχανική τάση. Διαφορετικά μπορεί να προκύψει σφήνωμα της αλυσίδας πριονιού (1) ή μπορεί να προκληθεί ανάδραση.

Το ξύλο υπό μηχανική τάση πρέπει πάντα να κόβεται με τομή πρώτα στην πλευρά πίεσης. Κατόπιν μπορεί να γίνει η τομή διαχωρισμού στην πλευρά εφελκυσμού. (Εικ. 24)

Έτσι αποφεύγετε το σφήνωμα της αλυσίδας πριονιού (1).

### ⚠ ΠΡΟΣΟΧΗ

#### Υλικές ζημιές!

Ένα ξύλο που είναι πεσμένο δεν επιτρέπεται να είναι σε επαφή με το έδαφος στην κάτω πλευρά της θέσης κοπής, γιατί διαφορετικά μπορεί να υποστεί ζημιά ή αλυσίδα πριονιού (1).

## Ανάκρουση

- Αν προκύψει σφήνωμα της αλυσίδας πριονιού (1) στην πάνω ακμή της ράγας-οδηγού (2), το αλυσοπρίονο μπορεί να εκτιναχτεί γρήγορα και ανεξέλεγκτα προς την κατεύθυνση του χειριστή.

## Έλξη προς τα μέσα

- Αν προκύψει σφήνωμα της αλυσίδας πριονιού (1) στην κάτω ακμή της ράγας-οδηγού (2), το αλυσοπρίονο μπορεί να τραβηχτεί γρήγορα και ανεξέλεγκτα μακριά από τον χειριστή.

## Ασφάλεια κατά την εργασία

- Διατηρείτε τη συσκευή σε καλή κατάσταση χρήσης, για να αποτρέψετε τραυματισμούς.
- Μετά από πτώση της συσκευής, ελέγξτε την για σημαντικές ζημιές ή βλάβες.
- Μην χρησιμοποιείτε τη συσκευή ενώ είστε ανεβασμένοι σε σκάλα ή σε μη ασφαλή θέση πατήματος.
- Μην παρασυρθείτε σε μια απερισκεπτη κοπή. Αυτό θα μπορούσε να θέσει σε κίνδυνο τον εαυτό σας και άλλους.
- Αλλάζετε συχνά τη θέση εργασίας σας. Μια παρατεταμένη χρήση της συσκευής μπορεί να προκαλέσει διαταραχές της αιμάτωσης στα χέρια λόγω των κραδασμών. Ωστόσο, μπορείτε να παρατείνετε τη διάρκεια χρήσης με κατάλληλα γάντια ή τακτικά διαλείμματα. Έχετε υπόψη σας ότι τυχόν προσωπική προδιάθεση σε κακή αιμάτωση, οι χαμηλές εξωτερικές θερμοκρασίες ή αυξημένες δυνάμεις κρατήματος της συσκευής κατά την εργασία μειώνουν τη διάρκεια χρήσης.

### 11.2 Το κούτσουρο είναι κυρτωμένο προς τα κάτω

1. Πρώτα κόψτε με το πριόνι την τομή αποφόρτισης 1 (περ. 1/3 της διαμέτρου του κούτσουρου) στην πλευρά πίεσης.
2. Κατόπιν εκτελέστε την τομή διαχωρισμού 2 (περ. 2/3 της διαμέτρου του κούτσουρου) στην πλευρά εφέλκυσμού.

### 11.3 Το κούτσουρο είναι κυρτωμένο προς τα πάνω

1. Πρώτα κόψτε με το πριόνι την τομή αποφόρτισης 1 (περ. 1/3 της διαμέτρου του κούτσουρου) στην πλευρά πίεσης.
2. Κατόπιν εκτελέστε την τομή διαχωρισμού 2 (περ. 2/3 της διαμέτρου του κούτσουρου) στην πλευρά εφέλκυσμού.

## 11.4 Χρήση κλαδευτικού αλυσοπριονίου για κοπή δένδρων σε συνδυασμό με εξοπλισμό αναρρίχησης με σχοινί

Αυτό το παράρτημα παρουσιάζει κατάλληλες μεθόδους εργασίας για μείωση του κινδύνου τραυματισμού από τη χρήση αλυσοπριονίων για τη δενδροκομία κατά την εργασία σε υπερυψωμένη θέση με σχοινί και ιμάντα πρόσδεσης. Αν και μπορεί να χρησιμεύσει ως οδηγός και εκπαιδευτικό ανάγνωσμα, δεν θα πρέπει να θεωρηθεί ως υποκατάστατο της επίσημης κατάρτισης. Ο οδηγός που παρέχεται στο παράρτημα αυτό χρησιμεύει μόνο ως παράδειγμα μιας καλής μεθόδου εργασίας. Ενδεχομένως έχουν εφαρμογή εθνικοί ή άλλοι κανονισμοί οι οποίοι θα μπορούσαν να είναι πιο αυστηροί.

Ο χρήστης ενός αλυσοπριονίου για τη δενδροκομία ο οποίος εργάζεται σε υπερυψωμένη θέση με σχοινί και ιμάντα πρόσδεσης, δεν πρέπει ποτέ να εργάζεται μόνος του. Ένας εργάτης εδάφους εκπαιδευμένος στις κατάλληλες διαδικασίες έκτακτης ανάγκης θα πρέπει να είναι παρών και να τον υποβοηθά.

Ο χρήστης θα πρέπει να είναι εκπαιδευμένος σε γενικές τεχνικές αναρρίχησης και τοποθέτηση εργασίας και θα πρέπει να είναι εξοπλισμένος με ιμάντα πρόσδεσης, σχοινί, αρτάνες, συνδέσμους караμπίνερ και άλλο εξοπλισμό με σκοπό τη διατήρηση ασφαλών και σωστών θέσεων τόσο για τον εαυτό του όσο και για το πριόνι.

Πρέπει πάντα να τηρούνται αυστηρά οι εθνικοί νόμοι και κανονισμοί.

Αυτό το παράρτημα δεν ασχολείται ούτε με τεχνικές ελέγχου των μικρών και μεγάλων κλαδιών που κόβονται από το αλυσοπρίονο ούτε περιέχει τα ήδη αναφερθέντα σημεία σχετικά με την ασφαλή χρήση.

### 11.4.1 Γενικές απαιτήσεις

Ο χρήστης ενός αλυσοπριονίου για τη δενδροκομία ο οποίος εργάζεται σε υπερυψωμένη θέση με σχοινί και ιμάντα πρόσδεσης, δεν πρέπει ποτέ να εργάζεται μόνος του. Ένας εργάτης εδάφους εκπαιδευμένος στις κατάλληλες διαδικασίες έκτακτης ανάγκης θα πρέπει να είναι παρών και να τον υποβοηθά.

Ο χρήστης θα πρέπει να είναι εκπαιδευμένος σε γενικές τεχνικές αναρρίχησης και τοποθέτηση εργασίας και θα πρέπει να είναι εξοπλισμένος με ιμάντα πρόσδεσης, σχοινί, αρτάνες, συνδέσμους караμπίνερ και άλλο εξοπλισμό με σκοπό τη διατήρηση ασφαλών και σωστών θέσεων τόσο για τον εαυτό του όσο και για το πριόνι.

#### 11.4.2 Προετοιμασία πριν τη χρήση του κλαδευτικού αλυσοπρίονου μέσα σε φύλλωμα δένδρου

Ο εργάτης εδάφους θα πρέπει να ελέγξει, να ανεφοδιάσει, να θέσει σε λειτουργία και να ζεστάνει το αλυσοπρίονο και κατόπιν να το απενεργοποιήσει, πριν το ανυψώσει προς τον χρήστη που βρίσκεται μέσα στο φύλλωμα του δένδρου.

Το αλυσοπρίονο θα πρέπει να διαθέτει μια κατάλληλη αρτάνη με την οποία μπορεί να αναρτηθεί στον ιμάντα πρόσδεσης του χρήστη (Εικ. 13):

- Η αρτάνη πρέπει να ασφαλιζεται στη διάταξη ανάρτησης (19) στην πίσω πλευρά του πριονιού (Εικ. 12).
- Πρέπει να υπάρχουν προετοιμασμένοι κατάλληλοι σύνδεσμοι караμπίνερ για τη στερέωση του πριονιού στον ιμάντα πρόσδεσης του χρήστη, έμμεση (δηλ. μέσω της αρτάνης) και απευθείας στερέωση (δηλ. από τη διάταξη ανάρτησης (19) του αλυσοπρίονου).
- Πρέπει να λαμβάνεται μέριμνα για την ασφαλή στερέωση του αλυσοπρίονου όταν αυτό ανυψώνεται προς τον χρήστη (Εικ. 14).
- Πρέπει να διασφαλιζεται ότι το αλυσοπρίονο είναι στερεωμένο στον ιμάντα πρόσδεσης, πριν λυθεί το σχοινί ανύψωσης.

Με τη δυνατότητα στερέωσης του αλυσοπρίονου απευθείας στον ιμάντα πρόσδεσης, μειώνεται ο κίνδυνος να υποστεί ζημιά ο εξοπλισμός από τη μετακίνηση μέσα στο φύλλωμα του δένδρου. Το αλυσοπρίονο θα πρέπει να είναι πάντα απενεργοποιημένο όταν είναι στερεωμένο απευθείας στον ιμάντα πρόσδεσης.

Το αλυσοπρίονο θα πρέπει να τοποθετείται μόνο από τις συνιστώμενες διατάξεις ανάρτησης στον ιμάντα πρόσδεσης. Αυτές επιτρέπεται να βρίσκονται στο μέσον (μπροστά ή πίσω) ή στα πλάγια. Όπου αυτό είναι εφικτό, το αλυσοπρίονο πρέπει να προσαρτάται στο κεντραρισμένο πίσω μεσαίο σημείο του ιμαντα πρόσδεσης, ώστε να διατηρείται μακριά από σχοινιά αναρρίχησης και το βάρος του να αναλαμβάνεται σε κεντρικό σημείο κάτω από τη σπονδυλική στήλη του χρήστη.

Όταν το αλυσοπρίονο μετακινείται από κάποια διάταξη ανάρτησης σε άλλη, ο χρήστης θα πρέπει να εξασφαλιζει ότι το αλυσοπρίονο έχει ασφαλιστεί στη νέα θέση πριν λυθεί από την προηγούμενη διάταξη ανάρτησης.

#### 11.5 Χρήση του κλαδευτικού αλυσοπρίονου μέσα σε φύλλωμα δένδρου

Μια ανάλυση των ατυχημάτων με αυτά τα αλυσοπρίονα κατά τη διάρκεια εργασιών δενδροκομίας δείχνει ότι η κύρια αιτία είναι η ακατάλληλη χρήση του αλυσοπρίονου με το ένα χέρι. Στα περισσότερα ατυχήματα οι χρήστες δεν έχουν λάβει ασφαλισμένη θέση εργασίας που τους επιτρέπει να κρατούν το αλυσοπρίονο και από τις δύο λαβές, πρακτική που έχει σαν συνέπεια αυξημένο κίνδυνο τραυματισμού από τα εξής:

- Έλλειψη σταθερής λαβής κατά την ανάδραση του αλυσοπρίονου.
- Έλλειψη ελέγχου του αλυσοπρίονου, ώστε να μπορεί ευκολότερα να έρθει σε επαφή με σχοινιά αναρρίχησης και με το σώμα του χρήστη (ιδιαιτέρως με τον αριστερό πήχη και τον βραχίονα).
- Απώλεια ελέγχου λόγω μη ασφαλούς θέσης εργασίας και επομένως επαφή με το αλυσοπρίονο (μη αναμενόμενες κινήσεις κατά τη διάρκεια της εργασίας με το αλυσοπρίονο).

#### 11.6 Ασφαλισμένη θέση εργασίας κατά τη χρήση και με τα δύο χέρια

Για να μπορεί να κρατά το αλυσοπρίονο και με τα δύο χέρια, ο χρήστης θα πρέπει κατά βάση να προσπαθεί να λάβει μια ασφαλισμένη θέση εργασίας στην οποία το πριόνι καθοδηγείται ως εξής:

- στο ύψος των ισchiών κατά την κοπή οριζόντιων τεμαχίων.
- στο ύψος της κοιλιάς κατά την κοπή κατακόρυφων τεμαχίων.

Αν ο χρήστης εργάζεται κοντά στον κατακόρυφο κορμό με μικρές πλευρικές δυνάμεις προς τη θέση εργασίας, θα μπορούσε να αρκεί ένα ασφαλές πάτημα για μια ασφαλή θέση εργασίας. Ωστόσο, μόλις ο χρήστης απομακρυνθεί από τον κορμό, πρέπει να λάβετε πρόσθετα μέτρα, για να μειώσετε ή να αντισταθμίσετε τις αυξανόμενες πλευρικές δυνάμεις, π.χ. με εκτροπή του κύριου σχοινού με τη βοήθεια μιας πρόσθετης διάταξης ανάρτησης ή με χρήση μιας ρυθμιζόμενης αρτάνης η οποία οδηγεί από τον εξοπλισμό ιμάντα προς μια πρόσθετη διάταξη ανάρτησης (Εικ. 15 και 16).

#### 11.6.1 Εκκίνηση του κλαδευτικού αλυσοπρίονου μέσα σε φύλλωμα δένδρου

Σε περίπτωση εκκίνησης του αλυσοπρίονου μέσα στο φύλλωμα του δένδρου, ο χρήστης θα πρέπει:

- να ενεργοποιήσει το φρένο αλυσίδας πριν την εκκίνηση (πιέστε την μπροστινή προστασία χεριών (3) προς τα εμπρός).

- να κρατά το αλυσοπρίονο αριστερά ή δεξιά του σώματος κατά την εκκίνηση:
  - Κρατώντας το αλυσοπρίονο στην αριστερή πλευρά με το αριστερό χέρι στην μπροστινή λαβή και σπρώχνοντας το αλυσοπρίονο μακριά από το σώμα ενώ κρατά το σχοινί εκκίνησης στο δεξιό χέρι.
  - Κρατώντας το αλυσοπρίονο στη δεξιά πλευρά με το δεξιό χέρι σε μία από τις δύο λαβές και σπρώχνοντας το αλυσοπρίονο μακριά από το σώμα ενώ κρατά το σχοινί εκκίνησης στο αριστερό χέρι.

Το φρένο αλυσίδας θα πρέπει να είναι πάντα ενεργοποιημένο πριν το αλυσοπρίονο σε λειτουργία χαμηλωθεί από το σχοινί ανάρτησής του.

Πριν από βαριές εργασίες κοπής ο χρήστης θα πρέπει να προσέχει το αλυσοπρίονο να έχει πάντα επαρκή ποσότητα καυσίμου.

### 11.6.2 Χρήση του αλυσοπρίονου με το ένα χέρι

Ο χρήστης δεν θα πρέπει να χρησιμοποιεί αλυσοπρίονα για εργασίες δενδροκομίας με το ένα χέρι σε ασταθείς θέσεις εργασίας ή αντί ενός χειροκίνητου πριονιού για την κοπή άκρων κλαδιών μικρής διαμέτρου.

Τα αλυσοπρίονα για τη δενδροκομία επιτρέπεται να χρησιμοποιούνται με το ένα χέρι μόνον αν

- οι χρήστες δεν μπορούν να λάβουν θέση εργασίας η οποία επιτρέπει τη χρήση και με τα δύο χέρια.
- είναι απαραίτητο το ένα χέρι να χρησιμοποιηθεί για την προστασία της θέσης εργασίας.
- το αλυσοπρίονο χρησιμοποιείται σε πλήρως εκτεταμένη θέση, κάθετα και εκτός μιας γραμμής προς το σώμα του χρήστη.

Ο χρήστης δεν πρέπει ποτέ:

- Να κόβει με την περιοχή ανάδρασης στη μύτη της ράγας-οδηγού (2) του αλυσοπρίονου.
- Να κρατιέται από το κλαδί που κόβει.
- Να προσπαθεί να πιάσει κομμάτια που πέφτουν.

### 11.6.3 Απελευθέρωση ενός σφηνωμένου αλυσοπρίονου

Αν το αλυσοπρίονο σφηνώσει κατά τη διάρκεια της κοπής, ο χρήστης θα πρέπει να κάνει τα εξής:

1. να απενεργοποιήσει το αλυσοπρίονο και να το στερεώσει με ασφάλεια μέσα στο φύλλωμα του δένδρου (π.χ. προς τον κορμό δένδρου) ή σε ένα ξεχωριστό σχοινί εργαλείου.
2. να τραβήξει το αλυσοπρίονο έξω από την εντομή ενώ κρατά το κλαδί όσο πιο ανυψωμένο χρειάζεται,

3. αν χρειάζεται, να χρησιμοποιήσει ένα χειροκίνητο πριόνι ή ένα δεύτερο αλυσοπρίονο για την απελευθέρωση του σφηνωμένου αλυσοπρίονου, με πραγματοποίηση κοπής σε απόσταση τουλάχιστον 30 cm από το σφηνωμένο συρματόσχοινο.

Ανεξάρτητα από το αν χρησιμοποιηθεί χειροκίνητο πριόνι ή αλυσοπρίονο για την απελευθέρωση ενός σφηνωμένου αλυσοπρίονου, θα πρέπει οι κοπές για την απελευθέρωση του συρματόσχοινο να γίνονται πάντα εξωτερικά (προς τις άκρες των κλαδιών), ώστε το πριόνι να μην φύγει με τα κομμένα κομμάτια και με αυτό τον τρόπο περιπλεχθεί περισσότερο η κατάσταση.

## 12. Μεταφορά

- Χρησιμοποιείτε πάντα το κάλυμμα της ράγας-οδηγού (21) κατά τη μεταφορά.
- Πριν από κάθε μεταφορά απενεργοποιείτε το αλυσοπρίονο, ακόμα και για μικρές αποστάσεις. Κατά τη διάρκεια της μεταφοράς (ακόμα και μέσα σε οχήματα) προστατεύετε το μηχάνημα από ανατροπή, για να αποφεύγετε απώλεια καυσίμου, ζημιές ή τραυματισμούς.
- Ενεργοποιείτε το φρένο αλυσίδας (πιέστε την μπροστινή προστασία χεριών (3) προς τα εμπρός).
- Μεταφέρετε τη συσκευή μόνο από την μπροστινή χειρολαβή (12). Η ράγα-οδηγός (2) τότε είναι στραμμένη προς τα πίσω, αντίθετα από το σώμα σας.
- Κρατάτε τον καυτό σιγαστήρα (18) μακριά από το σώμα σας. Υπάρχει κίνδυνος εγκαυμάτων! (Εικ. 23)

## 13. Καθαρισμός και συντήρηση

### ▲ ΠΡΟΕΙΔΟΠΟΙΗΣΗ

#### Κίνδυνος τραυματισμού!

Πάντα απενεργοποιείτε τη συσκευή πριν από εργασίες καθαρισμού και τραβάτε και αποσυνδέετε τον σύνδεσμο μπουζι (35). (βλ. κεφάλαιο 13.4 Συντήρηση του μπουζι (34)).

#### Υπόδειξη!

Μετά από κάθε χρήση, η συσκευή θα πρέπει να καθαρίζεται σχολαστικά.

Εκτελείτε τις εργασίες καθαρισμού και συντήρησης μόνο μέχρι την έκταση που περιγράφεται στις παρούσες οδηγίες χειρισμού. Περαιτέρω εργασίες πρέπει να εκτελούνται από ειδικευμένο προσωπικό.

Οι εργασίες συντήρησης πρέπει να διενεργούνται τακτικά (βλ. κεφάλαιο «Διαστήματα συντήρησης»).

### 13.1 Καθαρισμός της μονάδας μοτέρ

#### ⚠ ΠΡΟΕΙΔΟΠΟΙΗΣΗ

##### Κίνδυνος εγκαυμάτων!

Μην αγγίζετε τον καυτό σιγαστήρα, κύλινδρο ή πτερύγια ψύξης.

- Διατηρείτε τις προστατευτικές διατάξεις, τις σχισμές αερισμού και το περίβλημα μοτέρ όσο το δυνατόν απαλλαγμένα από σκόνη και ακαθαρσίες. Επιπλέον φυσήξτε τα με πεπιεσμένο αέρα χαμηλής πίεσης.
- Καθαρίζετε τη συσκευή τακτικά με ένα ελαφρά υγρό πανί και λίγο απορρυπαντικό. Προσέχετε να μην εισχωρήσει νερό στο εσωτερικό της συσκευής.

### 13.2 Καθαρισμός του φίλτρου αέρα (33) (Εικ. 17)

Τα λερωμένα φίλτρα αέρα μειώνουν την ισχύ μοτέρ λόγω πολύ μικρής τροφοδοσίας αέρα προς το καρμπρατέρ.

Επομένως ο τακτικός έλεγχος είναι απολύτως απαραίτητος.

Το φίλτρο αέρα (33) θα πρέπει να ελέγχεται τακτικά και να καθαρίζεται όταν χρειάζεται.

Σε περίπτωση αέρα με πολύ σκόνη, πρέπει να ελέγχετε πιο συχνά το φίλτρο αέρα (33).

1. Απασφαλίστε την ασφάλιση για το κάλυμμα φίλτρου αέρα (10) περιστρέφοντάς το αριστερόστροφα.
2. Αφαιρέστε το κάλυμμα φίλτρου αέρα (9).
3. Αφαιρέστε το φίλτρο αέρα (33).
4. Καθαρίστε το φίλτρο αέρα (33) με καθαρισμό με χτύπημα ή φύσημα (με πεπιεσμένο αέρα).

Η συναρμολόγηση γίνεται με την αντίστροφη σειρά ενεργειών.

#### ⚠ ΠΡΟΣΟΧΗ

Ποτέ μην καθαρίζετε το φίλτρο αέρα (33) με βενζίνη ή καύσιμους διαλύτες.

### 13.3 Καθαρισμός του μηχανισμού κίνησης της αλυσίδας

#### ⚠ ΠΡΟΕΙΔΟΠΟΙΗΣΗ

##### Κίνδυνος τραυματισμού!

Φοράτε πάντα προστατευτικά γάντια όταν αγγίζετε την αλυσίδα πριονιού (1). Κίνδυνος τραυματισμού από αιχμηρά κοπτικά δόντια!

##### Υπόδειξη!

Καθαρίζετε τον μηχανισμό κίνησης της αλυσίδας μετά από κάθε χρήση.

1. Αποθέστε το αλυσοπρίονο πάνω σε μια οριζόντια, σταθερή επιφάνεια στήριξης.

2. Τραβήξτε την μπροστινή προστασία χεριών (3) έως τον αναστολέα προς τα πίσω, για να λύσετε το φρένο αλυσίδας. (Εικ. 2)
3. Περιστρέψτε τη βίδα τάνυσης αλυσίδας (23) αριστερόστροφα με το κατασβίδι με ίσια μύτη (20) για να μειώσετε την τάνυση.
4. Αφαιρέστε τα δύο παζιμάδια στερέωσης (16) χρησιμοποιώντας το μουτζόκλειδο (20).
5. Αφαιρέστε το κάλυμμα γραναζιού αλυσίδας (17).
6. Αφαιρέστε προσεκτικά την αλυσίδα πριονιού (1) από τη ράγα-οδηγό (2) και το γρανάζι αλυσίδας (27).
7. Απομακρύνετε τη ράγα-οδηγό (2). Καθαρίστε τη με ένα πινέλο.
8. Τώρα καθαρίστε σχολαστικά όλη την περιοχή του μηχανισμού κίνησης της αλυσίδας και το κάλυμμα γραναζιού αλυσίδας (17) με ένα πινέλο ή με φύσημα (με πεπιεσμένο αέρα).

Η συναρμολόγηση γίνεται με την αντίστροφη σειρά ενεργειών.

### 13.4 Συντήρηση του μουτζι (34) (Εικ. 19 / 20)

1. Αφαιρέστε το φίλτρο αέρα (33), όπως περιγράφεται στο σημείο 13.2. «Καθαρισμός του φίλτρου αέρα (33)».
2. Αφαιρέστε τον σύνδεσμο μουτζι (35) περιστρέφοντάς τον αριστερά και δεξιά και ταυτόχρονα τραβώντας τον. Κρατάτε και τραβάτε τον σύνδεσμο μουτζι (35) αποκλειστικά και μόνο από τον σύνδεσμο. Ποτέ μην τραβάτε το καλώδιο!
3. Ξεβιδώστε το μουτζι (34) με το παρεχόμενο μουτζόκλειδο (20).
4. Η συναρμολόγηση γίνεται με την αντίστροφη σειρά ενεργειών.

Διάκενο ηλεκτροδίων μουτζι = 0,6 mm - 0,7 mm (απόσταση μεταξύ των ηλεκτροδίων ανάμεσα στα οποία παράγεται ο σπινθήρας ανάφλεξης). Ελέγξτε το μουτζι (34) πρώτη φορά μετά από 10 ώρες λειτουργίας για ρύπανση και αν χρειάζεται καθαρίστε το με μια βούρτσα με χάλκινες τρίχες. Κατόπιν συντηρείτε το μουτζι (34) κάθε 50 ώρες λειτουργίας.

### 13.5 Συντήρηση του συστήματος για λίπανση αλυσίδας

- Βλ. κεφάλαιο «Έλεγχος και ρύθμιση λίπανσης αλυσίδας».

### 13.6 Συντήρηση των ρυθμίσεων καρμπρατέρ

- Αν η αλυσίδα πριονιού (1) κινείται στο ρελαντί ή αν το μοτέρ σβήνει από μόνο του αν σταματάτε να πατάτε γκάζι, χρειάζεται να ρυθμιστεί το καρμπρατέρ.



## Υπόδειξη!

Αναθέτετε τις ρυθμίσεις στο καρμπιρατέρ (π.χ. αριθμός στροφών χωρίς φορτίο) μόνο σε ειδικευμένο τεχνικό προσωπικό, για να αποφεύγετε ζημιές στο μοτέρ.

### 13.7 Συντήρηση της ράγας-οδηγού (2)

- Αφαιρέστε όλα τα γρέζια που τυχόν έχουν προκύψει στο χείλος της ράγας χρησιμοποιώντας μια μεταλλική λίμα.
- Καθαρίστε την αυλάκωση της ράγας-οδηγού (2) με τη βοήθεια ενός πινέλου ή με πεπιεσμένο αέρα (Εικ. 21). Αντικαταστήστε τη ράγα-οδηγό (2) μόλις φθαρεί η αυλάκωση καθοδήγησης (28).
- Αντιστρέψτε τη ράγα-οδηγό (2) μετά από κάθε χρήση, για να εξασφαλίσετε ομοιόμορφη φθορά.
- Ελέγξτε για ευκολία κίνησης τον οδοντωτό τροχό (30) στη μύτη της ράγας-οδηγού (2). Αν χρειάζεται, λιπάνετε με ένα λάδι εδράνων. Αφήστε λίγο λάδι εδράνων να στάξει μέσα στο άνοιγμα λίπανσης (31). (Εικ. 21)

### 13.8 Έλεγχος φρένου αλυσίδας

Βλ. κεφάλαιο 10.5 «Έλεγχος του φρένου αλυσίδας»

#### ⚠ ΠΡΟΕΙΔΟΠΟΙΗΣΗ

#### ΚΙΝΔΥΝΟΣ ΑΝΑΔΡΑΣΗΣ!

Ένα μη λειτουργικό φρένο αλυσίδας αυξάνει τον κίνδυνο ανάδρασης.

Ελέγχετε τακτικά το φρένο αλυσίδας.

Ένα λειτουργικό φρένο αλυσίδας είναι απολύτως απαραίτητο για την ασφάλειά σας.

### 13.9 Τέντωμα και έλεγχος της αλυσίδας πριονιού (1)

Βλ. κεφάλαιο 9.2 «Τέντωμα και έλεγχος της αλυσίδας πριονιού (1)»

### 13.10 Ακόνισμα και φροντίδα της αλυσίδας πριονιού (1)

#### ⚠ ΠΡΟΕΙΔΟΠΟΙΗΣΗ

#### Κίνδυνος τραυματισμού!

Φοράτε πάντα προστατευτικά γάντια όταν αγγίζετε την αλυσίδα πριονιού (1). Κίνδυνος τραυματισμού από αιχμηρά κοπτικά δόντια!

## Υπόδειξη!

Μια αλυσίδα πριονιού (1) που έχει λάβει τη σωστή φροντίδα και είναι ακονισμένη, μειώνει τη σωματική καταπόνηση, τη φθορά και επιτρέπει καλά αποτελέσματα κοπής.

Καθαρίζετε, φροντίζετε και ακονίζετε τακτικά την αλυσίδα πριονιού (1).

Ελέγχετε τακτικά την αλυσίδα πριονιού (1) για ρωγμές και φθαρμένα πριονίδια.

Μια βόσση λείανσης μπορεί να στερεωθεί στο βοήθημα βάρσης λείανσης για την ασφαλής συγκράτησή της.

Χρησιμοποιείτε μόνο ειδικές στρογγυλές λίμες αλυσίδας πριονιού με Ø 4,8 mm (3/16") για την αλυσίδα πριονιού (1) που περιλαμβάνεται στο παραδοτέο υλικό.

Σε ένα σετ ακονίσματος μπορείτε να βρείτε λεπτομερείς πληροφορίες για τη διαδικασία ακονίσματος.

Εναλλακτικά χρησιμοποιήστε μια ηλεκτρική συσκευή ακονίσματος αλυσίδων πριονιού και τηρείτε τις οδηγίες του κατασκευαστή.

Σε περίπτωση αμφιβολίας σχετικά με την εκτέλεση της εργασίας, πρέπει να αντικαταστήσετε την αλυσίδα πριονιού (1).

Αν χρειάζεται, αναθέτετε σε ένα εξειδικευμένο συνεργείο το ακόνισμα της αλυσίδας πριονιού (1).

- Απαιτούμενο αξεσουάρ (δεν περιλαμβάνεται στο παραδοτέο υλικό):

- Στρογγυλή λίμα αλυσίδας πριονιού Ø 4,8 mm (3/16")
- Επίπεδη λίμα
- Κανόνας περιορισμού βάθους

- Λιπαίνετε μόνο σε κίνηση προς τα εμπρός, για να αφαιρείτε υλικό.

- Λιμάρτε με οξεία γωνία περ. 25° σε κλίση 10° ως προς τη ράγα-οδηγό (2).

- Ελέγξτε την απόσταση του περιορισμού βάθους με ένα κανόνα περιορισμού βάθους.

- Η σωστή απόσταση του περιοριστή βάθους θα πρέπει να είναι 0,6 mm (0,024").

### 13.11 Διαστήματα συντήρησης

Για μεγάλη διάρκεια ζωής καθώς και για την αποφυγή ζημιών και την εξασφάλιση της πλήρους λειτουργικότητας των διατάξεων ασφαλείας, πρέπει να διενεργούνται τακτικά οι εργασίες συντήρησης που περιγράφονται παρακάτω. Οι αξιώσεις επί της εγγύησης γίνονται εφικτές μόνο αν έχουν εκτελεστεί τακτικά και σωστά αυτές οι εργασίες. Σε περίπτωση παράβλεψης υπάρχει κίνδυνος ατυχήματος!

Οι χρήστες αλυσοπριονιών επιτρέπεται να διενεργούν μόνο τις εργασίες συντήρησης και φροντίδας που περιγράφονται στις παρούσες οδηγίες χρήσης.

Οι εργασίες πέραν αυτών επιτρέπεται να εκτελούνται μόνο από ένα εξειδικευμένο συνεργείο.

Γενικά	Το κλαδευτικό αλυσοπρίονο συνολικά	Καθαρίστε το εξωτερικά και ελέγξτε το για ζημιές. Σε περίπτωση που εντοπίσετε ζημιές πρέπει να το παραδώσετε άμεσα για σωστή επισκευή.
	Αλυσίδα πριονιού	Τροχιζετε τακτικά, αντικαθιστάτε έγκαιρα.
	Φρένο αλυσίδας	Αναθέτετε τακτικά τον έλεγχό του σε εξειδικευμένο συνεργείο
	Ράγα-οδηγός	Αντιστρέψτε, ώστε να φθείρονται ομοιόμορφα οι επιφάνειες κίνησης που καταπονούνται. Αντικαθιστάτε έγκαιρα.
Πριν από κάθε θέση σε λειτουργία	Αλυσίδα πριονιού	Ελέγξτε για ζημιές και ακόνισμα. Ελέγξτε την τάνυση αλυσίδας.
	Ράγα-οδηγός	Ελέγξτε για ζημιές.
	Λίπανση αλυσίδας	Έλεγχος λειτουργίας
	Φρένο αλυσίδας	Έλεγχος λειτουργίας
	Διακόπτης ενεργοποίησης / απενεργοποίησης, ασφάλιση μοχλού γκαζιού, μοχλός γκαζιού	Έλεγχος λειτουργίας
	Τάπα ρεζερβουάρ καυσίμου και τάπα ρεζερβουάρ λαδιού	Ελέγξτε για στεγανότητα.
Καθημερινά	Φίλτρο αέρα	Καθαρισμός
	Ράγα-οδηγός	Ελέγξτε για ζημιές, καθαρίστε την οπή εισόδου λαδιού
	Υποστήριξη ράγας-οδηγού	Καθαρίστε, ιδιαίτερος την αυλάκωση καθοδήγησης λαδιού
	Αριθμός στροφών χωρίς φορτίο	Ελέγξτε (η αλυσίδα δεν επιτρέπεται να κινείται μαζί)
Κάθε εβδομάδα	Περιβλήμα ανεμιστήρα	Καθαρίστε, για να διασφαλιστεί απρόσκοπτη κυκλοφορία του αέρα ψύξης
	Μπουζί	Ελέγξτε, αν χρειάζεται αντικαταστήστε
	Σιγαστήρας	Ελέγξτε για έμφραξη
	Οδηγός αλυσίδας	Ελέγξτε για ζημιές, αντικαταστήστε αν χρειάζεται
	Βίδες και παξιμάδια	Ελέγξτε κατάσταση και σφιχτή συναρμογή
Κάθε τρεις μήνες	Κεφαλή αναρρόφησης Ρεζερβουάρ καυσίμου, ρεζερβουάρ λαδιού αλυσίδας	Αντικατάσταση Καθαρισμός
Αποθήκευση	Το κλαδευτικό αλυσοπρίονο συνολικά	Καθαρίστε το εξωτερικά και ελέγξτε το για ζημιές Σε περίπτωση που εντοπίσετε ζημιές πρέπει να το παραδώσετε άμεσα για σωστή επισκευή
	Αλυσίδα πριονιού και ράγα-οδηγός	Αφαιρέστε, καθαρίστε και λαδώστε ελαφρά Καθαρίστε την αυλάκωση καθοδήγησης της ράγας-οδηγού
	Ρεζερβουάρ καυσίμου, ρεζερβουάρ λαδιού αλυσίδας	Εκκενώστε και καθαρίστε
	Καρμπιρατέρ	Εκκένωση με τη λειτουργία

### 13.12 Σημαντική υπόδειξη για την περίπτωση μιας επισκευής

Σε περίπτωση επιστροφής της συσκευής για επισκευή, παρακαλούμε να έχετε υπόψη σας ότι, για λόγους ασφαλείας, η συσκευή πρέπει να αποσταλεί στον σταθμό σέρβις αφού αφαιρεθούν πλήρως το λάδι και η βενζίνη.

### 13.13 Πληροφορίες σέρβις

Πρέπει να έχετε υπόψη σας ότι σε αυτό το προϊόν τα παρακάτω εξαρτήματα υπόκεινται σε φθορά ανάλογα με τη χρήση ή φυσική φθορά, δηλ. τα παρακάτω εξαρτήματα χρειάζονται ως αναλώσιμα.

Φθειρόμενα εξαρτήματα\*: Αλυσίδα πριονιού, ράγα-οδηγός, λάδι αλυσίδας, λάδι μοτέρ, προφυλακτήρας με νύχια, οδηγός αλυσίδας, μπουζί, φίλτρο αέρα, φίλτρο καυσίμου, φίλτρο λαδιού αλυσίδας

\* δεν περιλαμβάνονται υποχρεωτικά στο αντικείμενο παράδοσης!

### Επιτρεπόμενο αξεσουάρ κοπής

Αλυσίδα πριονιού  
Kangxin 3/8LP-40.....7910100739  
Oregon 91P040X.....3910102032  
Ράγα-οδηγός  
Kangxin AP10-40-509P.....7910100740  
Oregon 100SDEA041 .....7910100744

## 14. Αποθήκευση

Το μπουζόκλειδο / κατασβίδι με ίσια μύτη (20) μπορεί να τοποθετηθεί για φύλαξη στο πλάι στο κάλυμμα της ράγας-οδηγού (21).

Χρησιμοποιείτε πάντα το κάλυμμα της ράγας-οδηγού (21) κατά την αποθήκευση.

Καθαρίστε και συντηρήστε τη συσκευή πριν από κάθε αποθήκευση, βλ. κεφάλαιο «Καθαρισμός και συντήρηση».

Αδειάστε πλήρως το ρεζερβουάρ λαδιού και/ή το ρεζερβουάρ καυσίμου.

### ΠΡΟΕΙΔΟΠΟΙΗΣΗ

Μην αφαιρείτε τη βενζίνη σε κλειστούς χώρους, κοντά σε φωτιά ή ενώ καπνίζετε. Οι αέρσιες αναθυμιάσεις μπορούν να προκαλέσουν έκρηξη ή πυρκαγιά.

Θέστε σε λειτουργία το μοτέρ και αφήστε το να λειτουργήσει έως ότου καταναλωθεί η βενζίνη που απομένει.

Αποθηκεύετε τη συσκευή και τα αξεσουάρ της σε χώρο σκοτεινό, στεγνό, χωρίς κίνδυνο παγετού και μη προσβάσιμο σε παιδιά. Η ιδανική θερμοκρασία αποθήκευσης βρίσκεται μεταξύ 5 και 30 °C.

Μη φυλάσσετε και χρησιμοποιείτε το αλυσοπρίονο σε θερμοκρασίες κάτω από 0 °C!

Ποτέ μη φυλάσσετε ένα αλυσοπρίονο για περισσότερο από 30 ημέρες, χωρίς να εκτελείτε τα ακόλουθα βήματα.

Πριν την αποθήκευση της συσκευής τηρείτε τις υποδείξεις καθαρισμού και τις υποδείξεις συντήρησης!

### Πως να φυλάσσετε το αλυσοπρίονο

Όταν φυλάσσετε ένα αλυσοπρίονο για περισσότερο από 30 ημέρες, πρέπει να το προετοιμάσετε κατάλληλα. Διαφορετικά, θα εξατμιστεί το υπολειπόμενο καύσιμο στο καρμπυρατέρ και θα παραμείνει μια κολλώδης απόθεση. Αυτή θα μπορούσε να δυσκολέψει την εκκίνηση και να έχει σαν συνέπεια την ανάγκη για δαπανηρές εργασίες επισκευής.

Αφαιρέστε αργά την τάπα ρεζερβουάρ καυσίμου (13) για να αφήσετε να εκτονωθεί τυχόν πίεση από το ρεζερβουάρ. Εκκενώστε προσεκτικά το ρεζερβουάρ.

Θέστε σε λειτουργία το μοτέρ και αφήστε το να λειτουργήσει μέχρι να σταματήσει το αλυσοπρίονο, για να απομακρύνετε το καύσιμο από το καρμπυρατέρ.

Αφήστε το μοτέρ να κρυώσει (περ. 5 λεπτά).

Αφαιρέστε το μπουζί (34).

Προσθέστε στον θάλαμο καύσης 1 κουταλάκι του γλυκού καθαρό λάδι 2χρονων κινητήρων. Τραβήξτε επανειλημμένα και αργά τον μηχανισμό σχοινιού εκκίνησης (8), ώστε να επιτευχθεί επικάλυψη των εσωτερικών εξαρτημάτων. Εισάγετε πάλι το μπουζί (34).

Φυλάσσετε το αλυσοπρίονο σε ένα ξηρό μέρος μακριά από παιδιά και μακριά από ενδεχόμενες πηγές ανάφλεξης, όπως π.χ. φούρνο, μπόιλερ αερίου για θερμό νερό, στεγνωτήριο με αέριο κλπ.

Τοποθετείτε πάντα το κάλυμμα της ράγας-οδηγού (21) αν δεν έχουν αφαιρεθεί η αλυσίδα πριονιού (1) και η ράγα-οδηγός (2)

### 14.1 Εκ νέου θέση σε λειτουργία του αλυσοπρίονου

Αφαιρέστε το μπουζί (34).

Τραβήξτε γρήγορα το σχοινί στον μηχανισμό σχοινιού εκκίνησης (8) για να απομακρύνετε το πλεονάζον λάδι από τον θάλαμο καύσης.

Καθαρίστε το μπουζί (34) και προσέξτε για το σωστό διάκενο ηλεκτροδίων στο μπουζί (34) ή τοποθετήστε ένα καινούριο μπουζί (34) με το σωστό διάκενο ηλεκτροδίων. Προετοιμάστε το αλυσοπρίονο για τη λειτουργία. Γεμίζετε το ρεζερβουάρ με το σωστό μείγμα καυσίμου-λαδιού (1:40).

### **Αποθήκευση του καυσίμου**

Τα καύσιμα μπορούν να αποθηκεύονται μόνο για περιορισμένο χρόνο. Το καύσιμο και τα μείγματα καυσίμου υφίστανται γήρανση κατά τη φύλαξη, ειδικά υπό την επίδραση υψηλών θερμοκρασιών. Για το λόγο αυτό το καύσιμο και τα μείγματα καυσίμου που έχουν αποθηκευτεί για πολύ χρόνο μπορεί να προκαλέσουν προβλήματα εκκίνησης και ζημιές στο μοτέρ. Αγοράζετε μόνο όσο καύσιμο μπορεί να καταναλωθεί μέσα σε μερικούς μήνες. Σε περίπτωση υψηλών θερμοκρασιών καταναλώνετε το αναμειγμένο καύσιμο μέσα σε 6-8 εβδομάδες.

**Αποθηκεύετε το καύσιμο μόνο σε επιτρεπόμενα δοχεία, σε δροσερό και ασφαλές μέρος!**

### **ΠΡΟΕΙΔΟΠΟΙΗΣΗ**

#### **Αποφεύγετε την επαφή με το δέρμα και τα μάτια!**

Τα προϊόντα πετρελαίου, όπως και τα λάδια, απολπιάνουν το δέρμα. Σε περίπτωση επανειλημμένης και παρατεταμένης επαφής ζηραίνεται το δέρμα. Οι συνέπειες μπορεί να είναι διάφορες δερματικές παθήσεις. Επιπλέον, έχουν σημειωθεί και αλλεργικές αντιδράσεις.

Η επαφή του λαδιού με τα μάτια μπορεί να επιφέρει ερεθισμούς. Σε περίπτωση επαφής με τα μάτια, πλύνετε αμέσως το επηρεαζόμενο μάτι με καθαρό νερό. Αν ο ερεθισμός επιμένει, επισκεφθείτε άμεσα ένα γιατρό!

## **15. Απόρριψη και ανακύκλωση**

### **Υποδείξεις σχετικά με τη συσκευασία**



Τα υλικά συσκευασίας είναι ανακυκλώσιμα. Παρακαλούμε να απορρίψετε τις συσκευασίες με τρόπο φιλικό προς το περιβάλλον.

**Σχετικά με τις δυνατότητες απόρριψης της συσκευής στο τέλος της ωφέλιμης ζωής της μπορείτε να πληροφορηθείτε από τις τοπικές ή δημοτικές σας αρχές.**

### **Καύσιμα και λάδια**

Πριν την απόρριψη της συσκευής πρέπει να εκκενωθούν το ρεζερβουάρ καυσίμου και το δοχείο λαδιού κινητήρα!

Το καύσιμο και το λάδι κινητήρα δεν πρέπει να απορρίπτονται στα οικιακά απορρίμματα, αλλά πρέπει να συλλέγονται ή να απορρίπτονται ξεχωριστά!

Τα κενά δοχεία λαδιού και δοχεία καυσίμου πρέπει να απορρίπτονται με τρόπο φιλικό προς το περιβάλλον.

## 16. Αντιμετώπιση προβλημάτων

Πρόβλημα	Ενδεχόμενη αιτία	Αντιμετώπιση
Το μοτέρ δεν ξεκινά ή ξεκινά αλλά σταματά πάλι.	Λανθασμένη διαδικασία εκκίνησης.	Λάβετε υπόψη σας τις υποδείξεις στις παρούσες οδηγίες χρήσης.
	Λανθασμένα ρυθμισμένο μείγμα καρμπυρατέρ.	Αναθέστε τη ρύθμιση του καρμπυρατέρ σε εξουσιοδοτημένο κέντρο εξυπηρέτησης πελατών.
	Καπνισμένο μπουζί.	Καθαρίστε/ρυθμίστε ή αντικαταστήστε το μπουζί.
	Φραγμένο φίλτρο καυσίμου.	Αντικαταστήστε το φίλτρο καυσίμου.
Το μοτέρ ξεκινά αλλά δεν λειτουργεί με πλήρη ισχύ.	Λερωμένο φίλτρο αέρα	Αφαιρέστε το φίλτρο, καθαρίστε το και τοποθετήστε το πάλι.
	Λανθασμένα ρυθμισμένο μείγμα καρμπυρατέρ.	Αναθέστε τη ρύθμιση του καρμπυρατέρ σε εξουσιοδοτημένο κέντρο εξυπηρέτησης πελατών.
Το μοτέρ ρετάρει	Λανθασμένα ρυθμισμένο μείγμα καρμπυρατέρ.	Αναθέστε τη ρύθμιση του καρμπυρατέρ σε εξουσιοδοτημένο κέντρο εξυπηρέτησης πελατών.
Δεν παράγει ισχύ κατά την επιβολή φορτίου	Λανθασμένα ρυθμισμένο μπουζί.	Καθαρίστε/ρυθμίστε ή αντικαταστήστε το μπουζί.
Το μοτέρ δεν λειτουργεί ομαλά	Λανθασμένα ρυθμισμένο μείγμα καρμπυρατέρ.	Αναθέστε τη ρύθμιση του καρμπυρατέρ σε εξουσιοδοτημένο κέντρο εξυπηρέτησης πελατών.
Υπερβολικά πολύς καπνός.	Λανθασμένο μείγμα καυσίμου.	Χρησιμοποιείτε το σωστό μείγμα καυσίμου-λαδιού (αναλογία 1:40).
Δεν παράγει ισχύ κατά την επιβολή φορτίου	Αλυσίδα στομωμένη ή λασκαρισμένη	Ακονίστε την αλυσίδα ή τοποθετήστε νέα αλυσίδα. Τεντώστε την αλυσίδα.
Το μοτέρ σβήνει μόνο του	Ρεζερβουάρ βενζίνης κενό ή λανθασμένη τοποθέτηση του φίλτρου καυσίμου μέσα στο ρεζερβουάρ	Γεμίστε το ρεζερβουάρ βενζίνης. Γεμίστε πλήρως το ρεζερβουάρ βενζίνης ή τοποθετήστε αλλιώς το φίλτρο καυσίμου μέσα στο ρεζερβουάρ βενζίνης.
Ανεπαρκής λίπανση αλυσίδας (η λάμα και η αλυσίδα θερμαίνονται)	Ρεζερβουάρ λαδιού αλυσίδας κενό	Γεμίστε το ρεζερβουάρ λαδιού αλυσίδας.
	Φραγμένες δίοδοι λαδιού	Καθαρίστε την οπή λαδιού στη λάμα. Καθαρίστε την αυλάκωση της λάμας.

## 17. Εγγύηση

### Αξιότιμη πελάτσια, αξιότιμη πελάτη,

Τα προϊόντα μας υπόκεινται σε αυστηρούς ελέγχους ποιότητας. Εάν παρ'όλα αυτά κάποτε δεν λειτουργήσουν άψογα, λυπούμαστε πολύ και σας παρακαλούμε να αποτανθείτε προς το τμήμα Εξυπηρέτησης Πελατών, στη διεύθυνση που αναφέρετε σε αυτή την εγγύηση. Ευχαριστώ σας βοηθούμε και τηλεφωνικά στον αριθμό που αναφέρετε πιο κάτω. Για την κατίσχυση των αξιώσεων εγγύησης ισχύουν τα εξής:

- Αυτοί οι όροι εγγύησης ρυθμίζουν πρόσθετες παροχές εγγύησης. Από την εγγύηση αυτή δεν θίγονται οι νόμιμες αξιώσεις σας για εγγύηση. Η παροχή της εγγύησής μας είναι για σας δωρεάν
- Η εγγύηση καλύπτει αποκλειστικά και μόνο βλάβες που οφείλονται σε ελαττώματα υλικών ή παραγωγής και περιορίζονται στην αποκατάσταση αυτών των ελαττωμάτων ή την αντικατάσταση της συσκευής. Παρακαλούμε να προσέξετε πως οι συσκευές μας δεν προορίζονται για τη βιομηχανία, τη βιοτεχνία και την επαγγελματική χρήση. Για το λόγο αυτό δεν υφίσταται σύμβαση εγγύησης σε περίπτωση χρήσης της συσκευής στη βιομηχανία, βιοτεχνία, για επαγγελματικό ή άλλο παρόμοιο σκοπό. Από την εγγύησή μας αποκλείονται πέραν τούτου αποζημιώσεις για βλάβες μεταφοράς, βλάβες οφειλόμενες σε μη τήρηση της Οδηγίας συναρμολόγησης, ή σε εσφαλμένη εγκατάσταση, μη τήρηση της Οδηγίας χρήσης (π.χ. σύνδεση σε λάθος τάση δικτύου ή είδος ρεύματος), καταχρηστική ή όχι ορθή χρήση (π.χ. υπερφόρτωση ή χρήση μη εγκεκριμένων ανταλλακτικών εργαλείων ή εξαρτημάτων), μη τήρηση των Υποδείξεων συντήρησης και ασφαλείας, είσοδος ξένων αντικειμένων στη συσκευή (όπως π.χ. άμμος ή σκόνη), χρήση βίας ή εξωτερική επίδραση (όπως π.χ. βλάβες από πτώση) καθώς και βλάβες που οφείλονται σε κοινή φθορά. Η αξίωση εγγύησης εκπίπτει σε περίπτωση που έγιναν ήδη ξένες επεμβάσεις στη συσκευή.

- Η διάρκεια της εγγύησης ανέρχεται σε 3 έτη και αρχίζει από την ημερομηνία αγοράς της συσκευής. Οι αξιώσεις εγγύησης πρέπει να κατισχυθούν πριν την πάροδο της προθεσμίας της εγγύησης εντός δύο εβδομάδων από την διαπίστωση του ελαττώματος. Αποκλείεται η κατίσχυση αξιώσεων εγγύησης μετά την πάροδο της προθεσμίας της εγγύησης. Με την αντικατάσταση της συσκευής, σύμφωνα με το ΝΟΜΟ 2251/1994, ξεκινάει εκ νέου ο χρόνος εγγύησης.

- Για την προβολή της αξίωσής σας έναντι της εγγύησης, παρακαλούμε να απευθυνθείτε στη διεύθυνση σέρβις που αναφέρεται παρακάτω. Εφόσον η απαίτησή σας βρίσκεται εντός της περιόδου εγγύησης, θα θέσουμε στη διάθεσή σας ένα δελτίο επιστροφής, με το οποίο μπορείτε να μας αποστείλετε χωρίς χρέωσή σας την ελαττωματική συσκευή. Παρακαλούμε επίσης να μας περιγράψετε την αιτία για την διαμαρτυρία σας όσο πιο αναλυτικά γίνεται. Εάν το ελάττωμα της συσκευής σας καλύπτεται από την εγγύησή μας, είτε θα σας επιστραφεί ταχύτατα η επισκευασμένη συσκευή σας, είτε θα λάβετε μία νέα συσκευή. Φυσικά επισκευάζουμε ευχαριστώ έναντι αμοιβής και ελαττώματα στη συσκευή σας που δεν καλύπτονται ή δεν καλύπτονται πλέον από την εγγύηση. Για το σκοπό αυτό σας παρακαλούμε να αποστείλετε τη συσκευή σας στη διεύθυνση του τμήματος μας για Εξυπηρέτηση Πελατών

### Ανοικτή γραμμή σέρβις (GR/CY):

00800 4003 4003

(0,00 €/Min.)

### Διεύθυνση e-mail (GR):

service.GR@schepach.com

### Διεύθυνση e-mail (CY):

service.CY@schepach.com

### Διεύθυνση σέρβις (GR/CY):

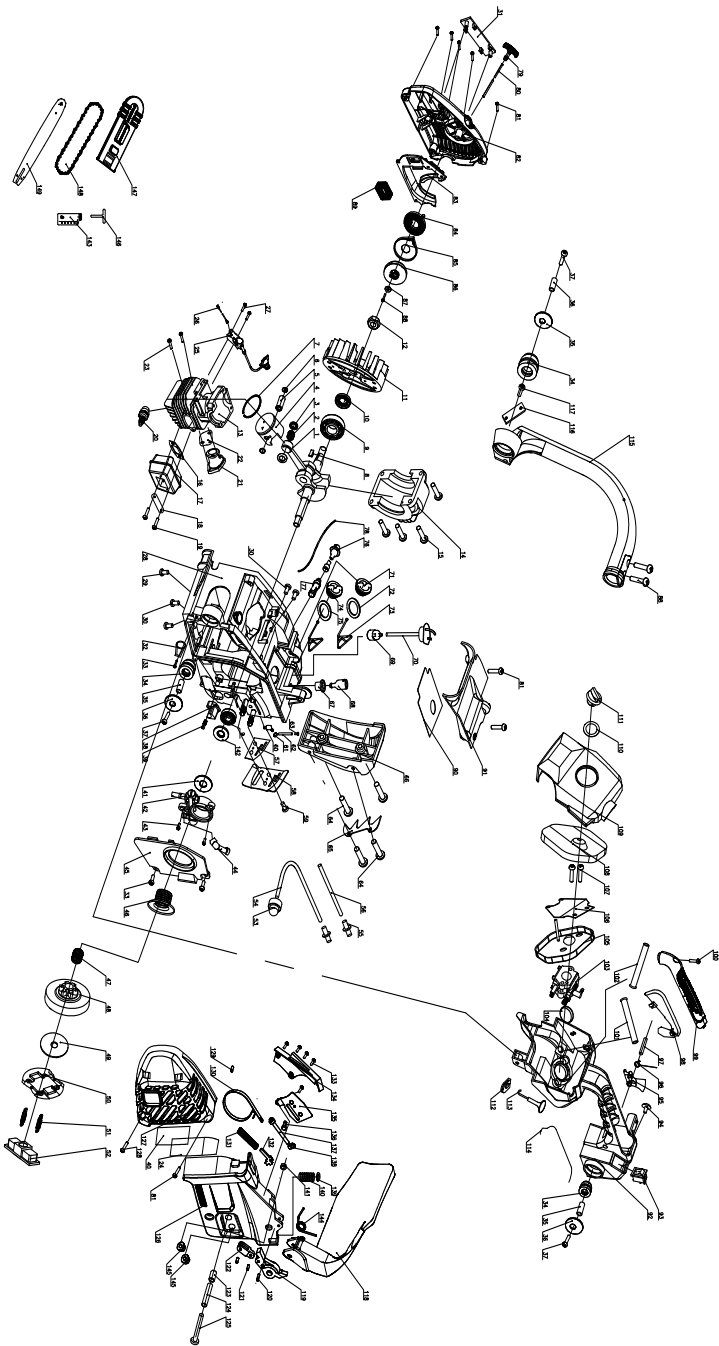
GEORGE C SOLOMONIDES & SON LTD

PO.BOX 56236 / 169, LEONTIOS A'

GR - 3305 LIMASSOL/CYPRUS



Από τη διεύθυνση [www.lidl-service.com](http://www.lidl-service.com) μπορείτε να κατεβάσετε αυτό και πολλά άλλα εγχειρίδια, βίντεο προϊόντων και λογισμικό εγκατάστασης.  
Με τον κώδικα QR μεταβαίνετε απευθείας στη σελίδα εξυπηρέτησης του Lidl ([www.lidl-service.com](http://www.lidl-service.com)) και μπορείτε να ανοίξετε τις οδηγίες χρήσης σας εισάγοντας τον κωδικό προϊόντος (IAN) 403506\_2204.







**EG-Konformitätserklärung** Originalkonformitätserklärung  
**EC Declaration of Conformity** Translation of the original EC declaration of conformity  
**Déclaration de conformité CE** Traduction de la déclaration de conformité EC originale



**Schepbach GmbH, Günzburger Str. 69, D-89335 Ichenhausen**

DE	erklärt folgende Konformität gemäß EU-Richtlinie und Normen für den Artikel	PL	deklaruje, że produkt jest zgodny z następującymi dyrektywami UE i normami
GB	hereby declares the following conformity under the EU Directive and standards for the following article	LT	pareiškia, taip atitiktis pagal ES direktyvos ir standartai šį straipsnį
FR	déclare la conformité suivante selon la directive UE et les normes pour l'article	HU	az EU-irányelv és a vonatkozó szabványok szerinti következo megfeleloségi nyilatkozatot teszi a termékre
IT	dichiara la seguente conformità secondo le direttive e le normative UE per l'articolo	SI	izjavlja slededo skladnost z EU-direktivo in normami za artikel
ES	declara la conformidad siguiente según la directiva la UE y las normas para el artículo	CZ	prohlašuje následující shodu podle směrnice EU a norem pro výrobek
PT	declara o seguinte conformidade com a Directiva da UE e as normas para o seguinte artigo	SK	prehlasuje nasledujúcu zhodu podľa smernice EU a noriem pre výrobok
DK	erklærer hermed, at følgende produkt er i overensstemmelse med nedensående EUdirektiver og standarder	HR	ovime izjavljuje da postoji skladnost prema EU-smjernica i normama za slededeo artikla
NL	verklaart hierbij dat het volgende artikel voldoet aan de daarop betrekking hebbende EG-richtlijnen en normen	RS	potvrđuje slededcu uskladenost prema smernicama EZ i normama za artikal
FI	vakuuttaa täten, että seuraava tuote täyttää ala esitetyt EU-direktiivit ja standardit	RO	declară următoarea conformitate corespunzător directivei UE și normelor UE pentru articolul
SE	försäkras härmed följande överensstämmelse enligt EU-direktiv och standarder för följande artikeln	BG	декларира съответното съответствие съгласно Директива на ЕС и норми за артикул
		GR	δηλώνει την ακόλουθη συμμόρφωση σύμφωνα με την Οδηγία ΕΚ και τα πρότυπα για το προϊόν

Marke / Brand / Marque:

Art.-Bezeichnung:

Article name:

Nom d'article:

Art.-Nr. / Art. no. / Numéro d'article:

IAN-Nr. / IAN no. / N°IAN :

Serien-Nr. / Serial no. / N° série:

**Parkside**

**BENZIN-BAUMPFLLEGESÄGE - PBBPS 700 A1**

**TOP HANDLE PETROL CHAINSAW - PBBPS 700 A1**

**TRONÇONNEUSE D'ÉLAGAGE À ESSENCE - PBBPS 700 A1**

**3910102974-3910102980; 39101029915; 39101029959**

**403506\_2204**

**01001 - 82218**

<input type="checkbox"/>	2014/29/EU	<input type="checkbox"/>	2004/22/EG	<input type="checkbox"/>	89/686/EWG_96/58/EG	<input checked="" type="checkbox"/>	2000/14/EG_2005/88/EG
<input type="checkbox"/>	2014/35/EU	<input type="checkbox"/>	2014/68/EU	<input type="checkbox"/>	90/396/EWG	<input checked="" type="checkbox"/>	<b>Annex V</b>
<input checked="" type="checkbox"/>	2014/30/EU	<input checked="" type="checkbox"/>	2011/65/EU*	<input type="checkbox"/>		<input checked="" type="checkbox"/>	<b>Annex VI</b> Noise: measured $L_{WA} = 110.4$ dB; guaranteed $L_{WA} = 113$ dB P = 0.7 kW Notified Body: Intertek Deutschland GmbH, Stangenstraße 1, 70771 Leinfelden-Echterdingen Notified Body No.: 0905
<input checked="" type="checkbox"/>	2006/42/EG	<input type="checkbox"/>		<input type="checkbox"/>		<input checked="" type="checkbox"/>	2016/1628/EU Emission. No.: e13*2016/1628*2021/1068SHA1/P*0317*01
<input checked="" type="checkbox"/>	<b>Annex IV</b> Notified Body: Intertek Deutschland GmbH, Stangenstraße 1, 70771 Leinfelden-Echterdingen Notified Body No.: 0359 Certificate No.: 22SHW0848.01						

**Standard references:**

**EN ISO 11681-2:2017+A1:2017; EN ISO 14982:2009**

Die alleinige Verantwortung für die Ausstellung dieser Konformitätserklärung trägt der Hersteller.

This declaration of conformity is issued under the sole responsibility of the manufacturer.

Le fabricant assume seul la responsabilité d'établir la présente déclaration de conformité.

\* Der oben beschriebene Gegenstand der Erklärung erfüllt die Vorschriften der Richtlinie 2011/65/EU des Europäischen Parlaments und des Rates vom 8. Juni 2011 zur Beschränkung der Verwendung bestimmter gefährlicher Stoffe in Elektro- und Elektronikgeräten.

\* The object of the declaration described above fulfils the regulations of the directive 2011/65/EU of the European Parliament and Council from 8th June 2011, on the restriction of the use of certain hazardous substances in electrical and electronic equipment.

\* L'appareil décrit ci-dessus dans la déclaration est conforme aux réglementations de la directive 2011/65/EU du Parlement Européen et du Conseil du 8 juin 2011 visant à limiter l'utilisation de substances dangereuses dans la fabrication des appareils électriques et électroniques.

Ichenhausen, 15.09.2022

  
Signature / Andreas Pecher / Head of Project Management

**First CE: 2022**  
**Subject to change without notice**

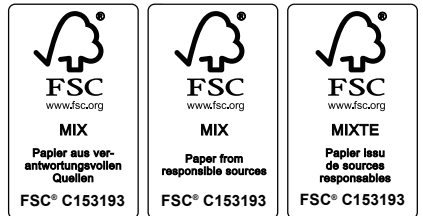
**Documents registrar:** Thomas Schuster  
Günzburger Str. 69, D-89335 Ichenhausen





**SCHEPPACH GMBH**

Günzburger Str. 69  
D-89335 Ichenhausen



Last Information Update · Stand der Informationen · Version des informations · Stand van de informatie · Stav informáci · Stan informacij · Stav informácií · Estado de las informaciones · Tilstand af information · Versione delle informazioni · Információk állása · Stanje informacij · Zadnje informacije · Stadiul informațiilor ·

Дата на информация · Έκδοση των πληροφοριών

Update: 09 / 2022 · Ident.-No.: 403506\_2204\_39101029915

IAN 403506\_2204