



CROSS CUT MITRE SAW PKS 1500 B3

(GB) (IE) (NL)

CROSS CUT MITRE SAW

Operating and Safety Instructions
Translation of Original Operating Manual

(FR) (BE)

SCIE À ONGLET

Consignes d'utilisation et de sécurité
Traduction des instructions d'origine

(GR) (CY)

ΦΑΛΤΣΟΠΡΙΟΝΟ

Οδηγίες χειρισμού και ασφαλείας
Μετάφραση του πρωτοτύπου των οδηγιών χρήσης

(DK)

KAP- OG GERINGSSAV

Drifts- og sikkerhedsinstruktioner
Oversættelse af den originale driftsvejledning

(NL) (BE)

KAP- EN VERSTEKZAAG

Bedienings- en veiligheidsinstructies
Vertaling van de originele handleiding

(DE) (AT) (CH)

KAPP- UND GEHRUNGSSÄGE

Bedienungs- und Sicherheitshinweise
Originalbetriebsanleitung



GB IE NI

Before reading, unfold the page containing the illustrations and familiarise yourself with all functions of the device.

DK

Før du læser, vend siden med billeder frem og bliv bekendt med alle apparatets funktioner.

FR BE

Avant de lire le mode d'emploi, ouvrez la page contenant les illustrations et familiarisez-vous ensuite avec toutes les fonctions de l'appareil.

NL BE

Vouw vóór het lezen de pagina met de afbeeldingen open en maak u vertrouwd met alle functies van het apparaat.

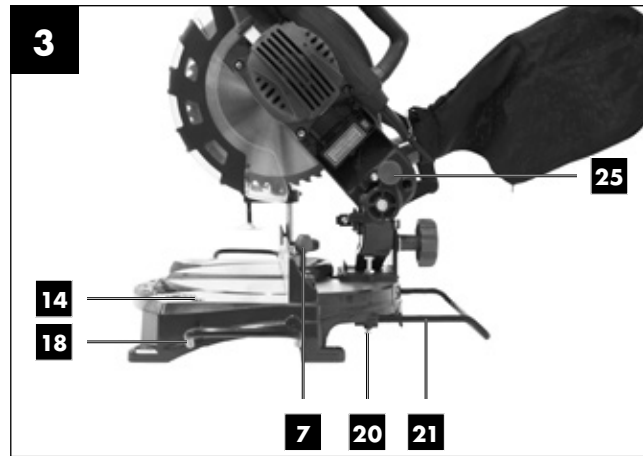
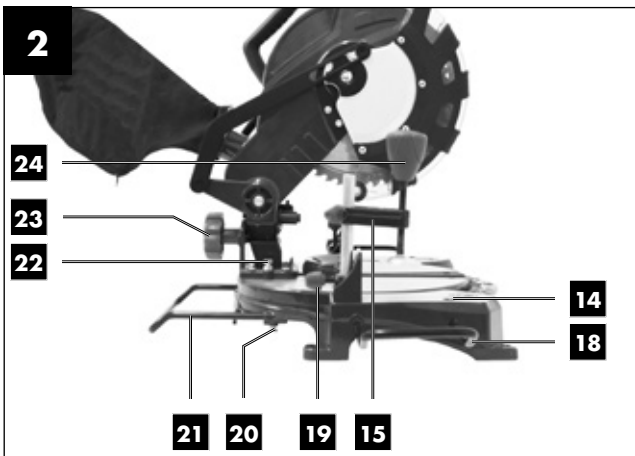
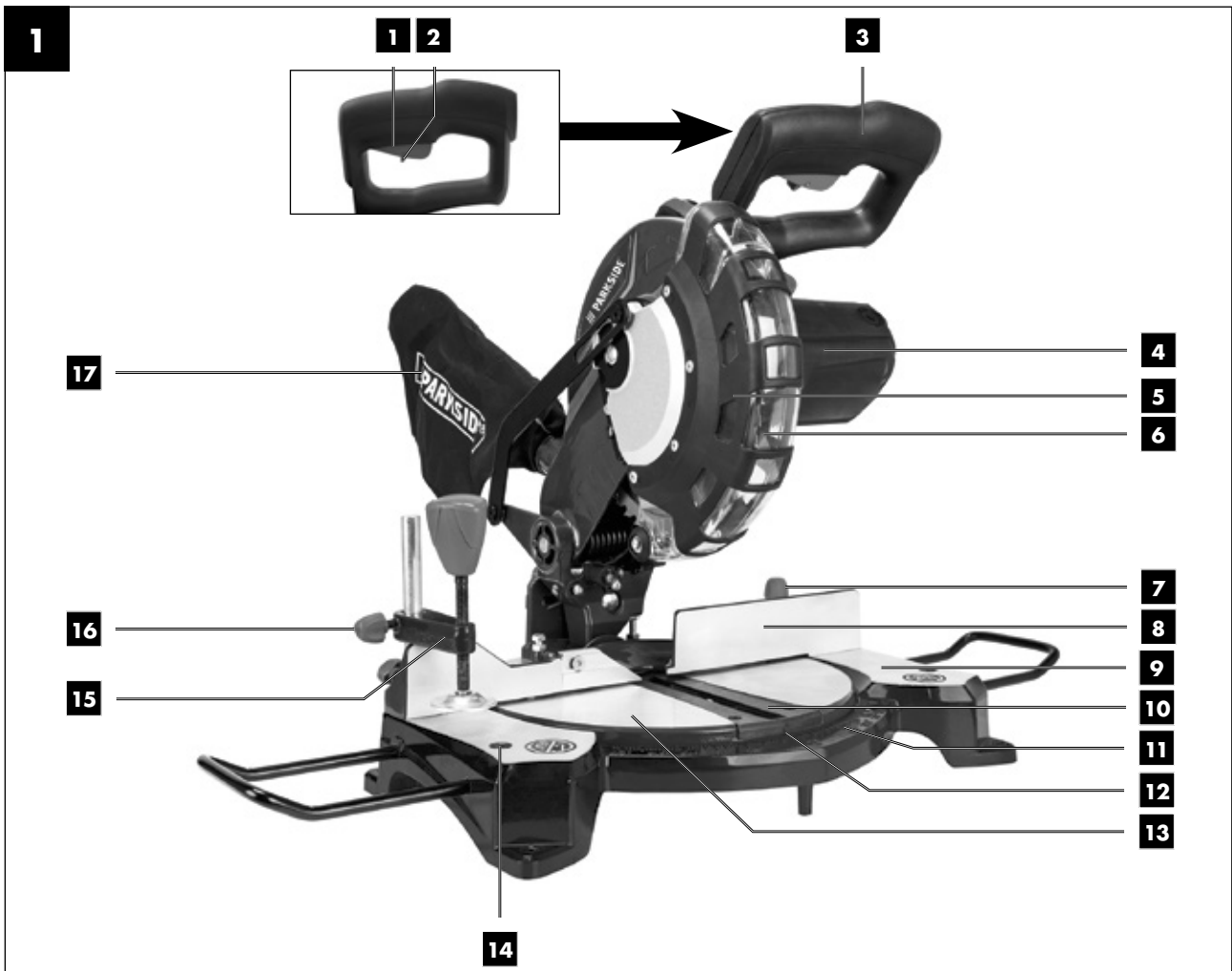
GR CY

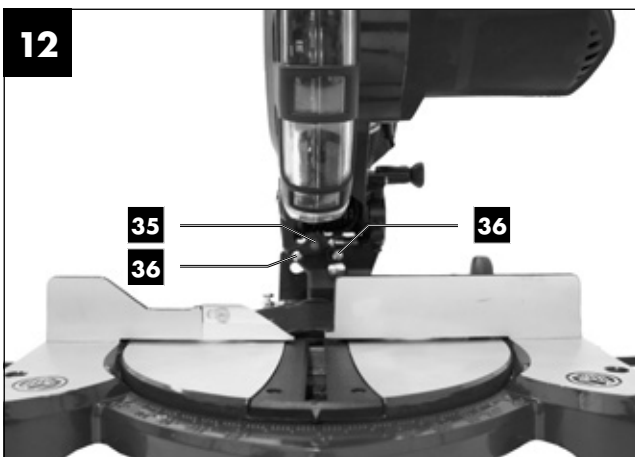
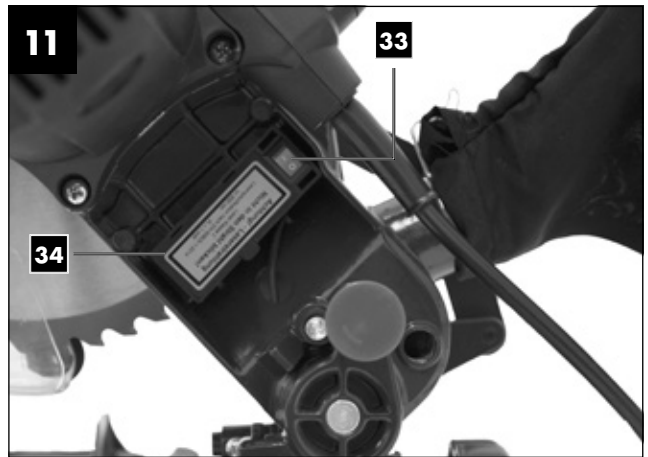
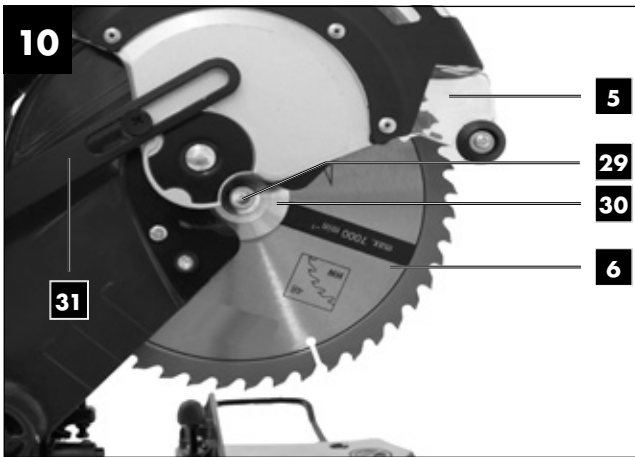
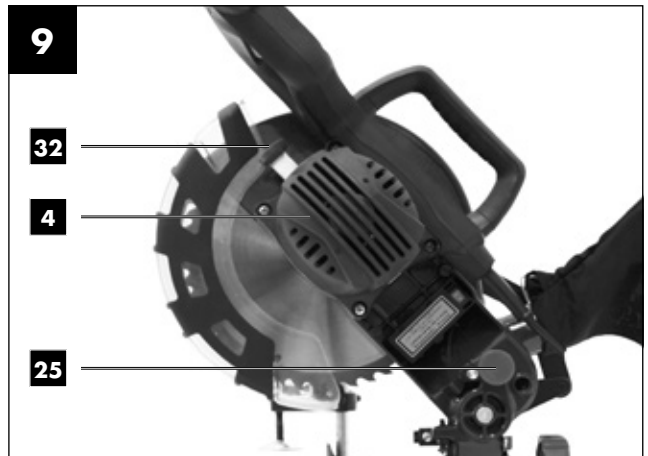
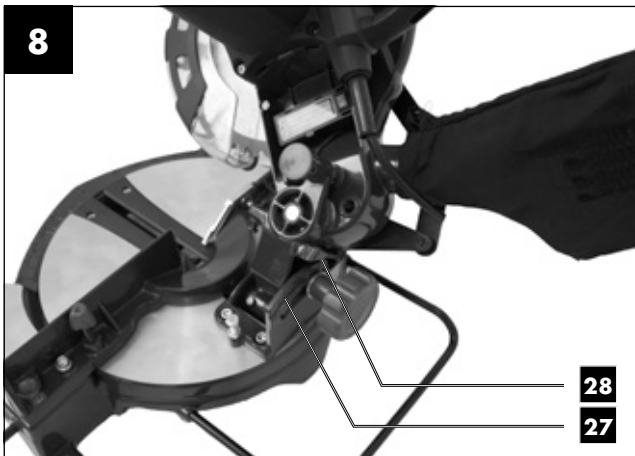
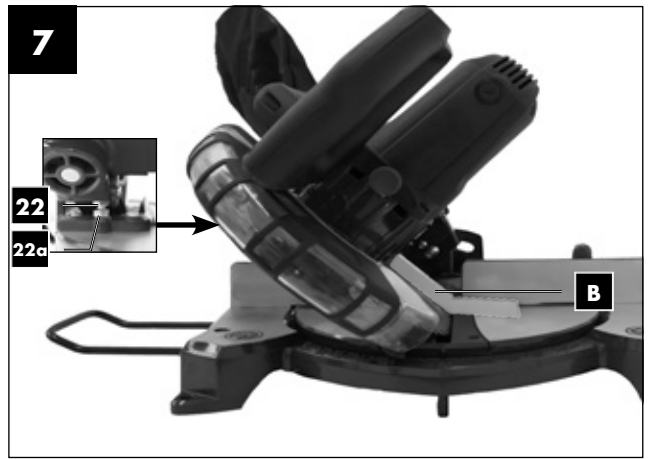
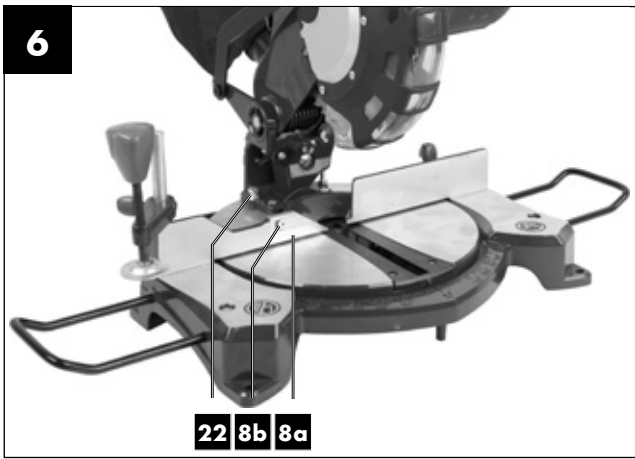
Πριν ξεκινήσετε την ανάγνωση, ανοίξτε τη σελίδα με τις εικόνες και εξοικειωθείτε με όλες τις λειτουργίες της συσκευής.

DE AT CH

Klappen Sie vor dem Lesen die Seite mit den Abbildungen aus und machen Sie sich anschließend mit allen Funktionen des Gerätes vertraut.

GB / IE / NI	Operating and Safety Instructions	Page	01
DK	Drifts- og sikkerhedsinstruktioner	Side	15
FR / BE	Consignes d'utilisation et de sécurité	Page	29
NL / BE	Bedienings- en veiligheidsinstructies	Pagina	44
GR / CY	Οδηγίες χειρισμού και ασφαλείας	Σελίδα	59
DE / AT / CH	Bedienungs- und Sicherheitshinweise	Seite	75





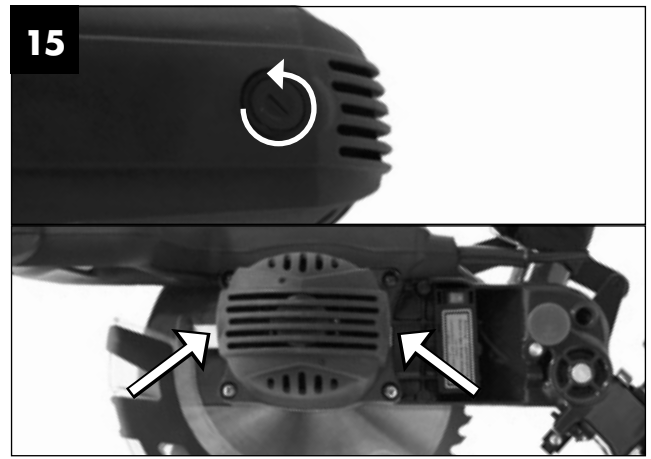
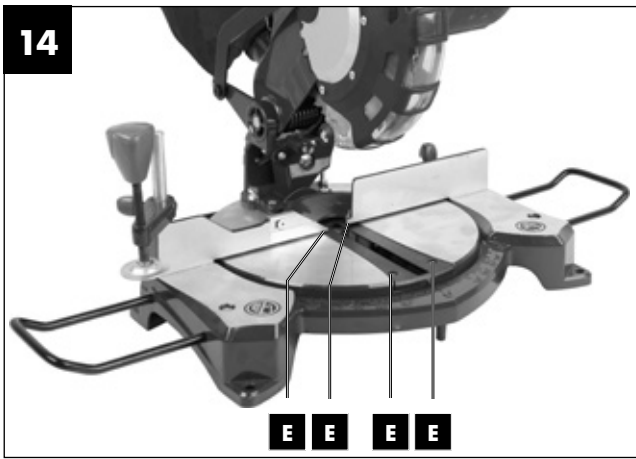


Table of contents:	Page:
1. Explanation of the symbols on the equipment	2
2. Introduction.....	3
3. Device description (fig. 1-13).....	3
4. Scope of delivery	4
5. Proper use.....	4
6. Safety information	4
7. Technical data	8
8. Before starting the equipment	8
9. Attachment and operation.....	9
10. Transport (fig. 13).....	11
11. Maintenance	11
12. Storage	11
13. Electrical connection	12
14. Disposal and recycling	12
15. Troubleshooting.....	13
16. Warranty certificate	14
17. Exploded view.....	90
18. Declaration of conformity	91

1. Explanation of the symbols on the equipment



GB IE NI

Before commissioning, read and observe the operating instructions and safety instructions!



GB IE NI

Wear safety goggles!



GB IE NI

Wear ear-muffs!



GB IE NI

Wear a breathing mask!



GB IE NI

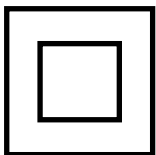
Important! Risk of injury. Never reach into the running saw blade!



Achtung! - Laserstrahlung
Nicht in den Strahl blicken!
Laser Klasse 2
Laserspezifikation nach EN 50825-1:2014
λ = 650 nm P_e < 1 mW

GB IE NI

Important! Laser radiation



GB IE NI

Protection Class II (double insulated)

2. Introduction

Manufacturer:

scheppach

Fabrikation von Holzbearbeitungsmaschinen GmbH
Günzburger Straße 69
D-89335 Ichenhausen

Dear Customer,

we hope your new tool brings you much enjoyment and success.

Note:

According to the applicable product liability laws, the manufacturer of the device does not assume liability for damages to the product or damages caused by the product that occurs due to:

- Improper handling,
- Non-compliance of the operating instructions,
- Repairs by third parties, not by authorized service technicians,
- Installation and replacement of non-original spare parts,
- Application other than specified,
- A breakdown of the electrical system that occurs due to the non-compliance of the electric regulations and VDE regulations 0100, DIN 57113 / VDE0113.

Please consider:

Read through the complete text in the operating instructions before installing and commissioning the device.

The operating instructions are intended to help the user to become familiar with the machine and take advantage of its application possibilities in accordance with the recommendations. The operating instructions contain important information on how to operate the machine safely, professionally and economically, how to avoid danger, costly repairs, reduce downtimes and how to increase reliability and service life of the machine. In addition to the safety regulations in the operating instructions, you have to meet the applicable regulations that apply for the operation of the machine in your country.

Keep the operating instructions package with the machine at all times and store it in a plastic cover to protect it from dirt and moisture. Read the instruction manual each time before operating the machine and carefully follow its information.

The machine can only be operated by persons who were instructed concerning the operation of the machine and who are informed about the associated dangers. The minimum age requirement must be complied with.

In addition to the safety instructions contained in this operating manual and the specific regulations of your country, the technical rules generally accepted for the operation of machines of the same type must be observed.

We accept no liability for damage or accidents which arise due to non-observance of these instructions and the safety information.

3. Device description (fig. 1-13)

1. ON/OFF switch
 2. Lock switch
 3. Handle
 4. Machine head
 5. Moving saw blade guard
 6. Saw blade
 7. Set screw for rotary table
 8. Stop rail
 - 8a. Adjustable stop rail
 - 8b. Set screw
 9. Fixed saw table
 10. Table insert
 11. Scale
 12. Pointer
 13. Rotary table
 14. Locking screw for workpiece support
 15. Clamping device (workpiece clamp)
 16. Set screw
 17. Sawdust bag
 18. Workpiece support
 19. Locking screw for clamping device
 20. Locking screw for drag guide
 21. Support stand
 22. Adjusting screw (45°)
 - 22a. Locknut adjusting screw (45°)
 23. Locking screw
 24. Clamping handle
 25. Locking bolt
 26. Adjusting screw (90°)
 - 26a. Locknut adjusting screw (90°)
 27. Scale
 28. Pointer
 29. Flange screw
 30. Outer flange
 31. Guide bracket
 32. Saw shaft lock
 33. ON/OFF switch laser
 34. Battery cover
 35. Laser
 36. Screw (laser)
 37. Transport handle
- (A) 90° stop angle (not supplied)
(B) 45° stop angle (not supplied)
(C) Allen key, 6 mm
(D) Allen key, 3 mm
(E) Phillips head screw (table insert)

4. Scope of delivery

- Cross cut mitre saw
- Dust bag
- Workpiece clamp
- Allen key 6 mm (C)
- Allen key 3 mm (D)
- 2 work piece supports
- Support stand
- 2 carbon brushes
- 2 batteries (AAA)
- Operating manual

5. Proper use

The cross cut mitre saw is designed to crosscut wood and plastic respective of the machine's size. The saw is not designed for cutting firewood.

Warning!

Do not use the saw to cut materials other than those specified described in manual.

Warning!

The supplied saw blade is only intended for the sawing of wood! Do not use this blade for the sawing of firewood!

The equipment is to be used only for its prescribed purpose. Any other use is deemed to be a case of misuse. The user / operator and not the manufacturer will be liable for any damage or injuries of any kind caused as a result of this.

The equipment is to be operated only with suitable saw blades. It is prohibited to use any type of cutting-off wheel.

To use the equipment properly you must also observe the safety information, the assembly instructions and the operating instructions to be found in this manual.

All persons who use and service the equipment have to be acquainted with this manual and must be informed about the equipment's potential hazards.

It is also imperative to observe the accident prevention regulations in force in your area.

The same applies for the general rules of health and safety at work.

The manufacturer will not be liable for any changes made to the equipment nor for any damage resulting from such changes.

Even when the equipment is used as prescribed it is still impossible to eliminate certain residual risk factors. The following hazards may arise in connection with the machine's construction and design:

- Contact with the saw blade in the uncovered saw zone.
- Reaching into the running saw blade (cut injuries).
- Kick-back of workpieces and parts of workpieces.
- Saw blade fracturing.
- Catapulting of faulty carbide tips from the saw blade.
- Damage to hearing if ear-muffs are not used as necessary.
- Harmful emissions of wood dust when used in closed rooms.

Please note that our equipment has not been designed for use in commercial, trade or industrial applications. Our warranty will be voided if the equipment is used in commercial, trade or industrial businesses or for equivalent purposes.

6. Safety information

General power tool safety information

⚠ WARNING! Read all safety warnings, instructions, illustrations and technical data provided with this power tool. Failure to follow the warnings and instructions may result in electric shock, fire and/or serious injury.

Save all warnings and instructions for future reference.

The term "power tool" in the warnings refers to your mains-operated (corded) power tool or battery-operated (cordless) power tool.

1. Work area safety

- Keep work area clean and well lit.** Cluttered or dark areas invite accidents.
- Do not operate power tools in explosive atmospheres, such as in the presence of flammable liquids, gases or dust.** Power tools create sparks which may ignite the dust or fumes.
- Keep children and bystanders away while operating a power tool.** Distractions can cause you to lose control.

2. Electrical safety

- Power tool plugs must match the outlet. Never modify the plug in any way. Do not use any adapter plugs with earthed (grounded) power tools.** Unmodified plugs and matching outlets will reduce risk of electric shock.
- Avoid body contact with earthed or grounded surfaces, such as pipes, radiators, ranges and refrigerators. There is an increased risk of electric shock if your body is earthed or grounded.**
- Do not expose power tools to rain or wet conditions.** Water entering a power tool will increase the risk of electric shock.
- Do not abuse the cord. Never use the cord for carrying, pulling or unplugging the power tool. Keep cord away from heat, oil, sharp edges or moving parts.** Damaged or entangled cords increase the risk of electric shock.
- When operating a power tool outdoors, use an extension cord suitable for outdoor use.** Use of a cord suitable for outdoor use reduces the risk of electric shock.
- If operating a power tool in a damp location is unavoidable, use a residual current device (RCD) protected supply.** Use of an RCD reduces the risk of electric shock.

3. Personal safety

- a) **Stay alert, watch what you are doing and use common sense when operating a power tool. Do not use a power tool while you are tired or under the influence of drugs, alcohol or medication.** A moment of inattention while operating power tools may result in serious personal injury.
- b) **Use personal protective equipment. Always wear eye protection.** Protective equipment such as a dust mask, non-skid safety shoes, hard hat or hearing protection used for appropriate conditions will reduce personal injuries.
- c) **Prevent unintentional starting. Ensure the switch is in the off-position before connecting to power source and/or battery pack, picking up or carrying the tool.** Carrying power tools with your finger on the switch or energising power tools that have the switch on invites accidents.
- d) **Remove any adjusting key or wrench before turning the power tool on.** A wrench or a key left attached to a rotating part of the power tool may result in personal injury.
- e) **Do not overreach. Keep proper footing and balance at all times.** This enables better control of the power tool in unexpected situations.
- f) **Dress properly. Do not wear loose clothing or jewellery. Keep your hair and clothing away from moving parts.** Loose clothes, jewellery or long hair can be caught in moving parts.
- g) **If devices are provided for the connection of dust extraction and collection facilities, ensure these are connected and properly used.** Use of dust collection can reduce dust-related hazards.
- h) **Do not let familiarity gained from frequent use of tools allow you to become complacent and ignore tool safety principles.** A careless action can cause severe injury within a fraction of a second.

4. Power tool use and care

- a) **Do not force the power tool. Use the correct power tool for your application.** The correct power tool will do the job better and safer at the rate for which it was designed.
- b) **Do not use the power tool if the switch does not turn it on and off. Any power tool that cannot be controlled with the switch is dangerous and must be repaired.**
- c) **Disconnect the plug from the power source and/or remove the battery pack, if detachable, from the power tool before making any adjustments, changing accessories, or storing power tools.** Such preventive safety measures reduce the risk of starting the power tool accidentally.
- d) **Store idle power tools out of the reach of children and do not allow persons unfamiliar with the power tool or these instructions to operate the power tool.** Power tools are dangerous in the hands of untrained users.

- e) **Maintain power tools and accessories. Check for misalignment or binding of moving parts, breakage of parts and any other condition that may affect the power tool's operation. If damaged, have the power tool repaired before use.** Many accidents are caused by poorly maintained power tools.
- f) **Keep cutting tools sharp and clean. Properly maintained cutting tools with sharp cutting edges are less likely to bind and are easier to control.**
- g) **Use the power tool, accessories and tool bits etc. in accordance with these instructions, taking into account the working conditions and the work to be performed.** Use of the power tool for operations different from those intended could result in a hazardous situation.
- h) **Keep handles and grasping surfaces dry, clean and free from oil and grease.** Slippery handles and grasping surfaces do not allow for safe handling and control of the tool in unexpected situations.

5. Service

- a) **Have your power tool serviced by a qualified repair person using only identical replacement parts.** This will ensure that the safety of the power tool is maintained.

Warning!

This electric tool generates an electromagnetic field during operation. This field can impair active or passive medical implants under certain conditions. In order to prevent the risk of serious or deadly injuries, we recommend that persons with medical implants consult with their physician and the manufacturer of the medical implant prior to operating the electric tool.

Safety instructions for mitre saws

- a) **Mitre saws are intended to cut wood or wood-like products, they cannot be used with abrasive cut-off wheels for cutting ferrous material such as bars, rods, studs, etc.** Abrasive dust causes moving parts such as the lower guard to jam. Sparks from abrasive cutting will burn the lower guard, the kerf insert and other plastic parts.
- b) **Use clamps to support the workpiece whenever possible. If supporting the workpiece by hand, you must always keep your hand at least 100 mm from either side of the saw blade. Do not use this saw to cut pieces that are too small to be securely clamped or held by hand.** If your hand is placed too close to the saw blade, there is an increased risk of injury from blade contact.
- c) **The workpiece must be stationary and clamped or held against both the fence and the table. Do not feed the workpiece into the blade or cut "freehand" in any way.** Unrestrained or moving workpieces could be thrown at high speeds, causing injury.

- d) **Push the saw through the workpiece. Do not pull the saw through the workpiece. To make a cut, raise the saw head and pull it out over the workpiece without cutting, start the motor, press the saw head down and push the saw through the workpiece.** Cutting on the pull stroke is likely to cause the saw blade to climb on top of the workpiece and violently throw the blade assembly towards the operator.
- e) **Never cross your hand over the intended line of cutting either in front or behind the saw blade.** Supporting the workpiece “cross handed” i.e. holding the workpiece to the right of the saw blade with your left hand or vice versa is very dangerous.
- f) **Do not reach behind the fence with either hand closer than 100 mm from either side of the saw blade, to remove wood scraps, or for any other reason while the blade is spinning.** The proximity of the spinning saw blade to your hand may not be obvious and you may be seriously injured.
- g) **Inspect your workpiece before cutting. If the workpiece is bowed or warped, clamp it with the outside bowed face toward the fence. Always make certain that there is no gap between the workpiece, fence and table along the line of the cut.** Bent or warped workpieces can twist or shift and may cause binding on the spinning saw blade while cutting. There should be no nails or foreign objects in the workpiece.
- h) **Do not use the saw until the table is clear of all tools, wood scraps, etc., except for the workpiece.** Small debris or loose pieces of wood or other objects that contact the revolving blade can be thrown with high speed.
- i) **Cut only one workpiece at a time.** Stacked multiple workpieces cannot be adequately clamped or braced and may bind on the blade or shift during cutting.
- j) **Ensure the mitre saw is mounted or placed on a level, firm work surface before use.** A level and firm work surface reduces the risk of the mitre saw becoming unstable.
- k) **Plan your work. Every time you change the bevel or mitre angle setting, make sure the adjustable fence is set correctly to support the workpiece and will not interfere with the blade or the guarding system.** Without turning the tool “ON” and with no workpiece on the table, move the saw blade through a complete simulated cut to assure there will be no interference or danger of cutting the fence.
- l) **Provide adequate support such as table extensions, saw horses, etc. for a workpiece that is wider or longer than the table top.** Workpieces longer or wider than the mitre saw table can tip if not securely supported. If the cut-off piece or workpiece tips, it can lift the lower guard or be thrown by the spinning blade.
- m) **Do not use another person as a substitute for a table extension or as additional support.** Unstable support for the workpiece can cause the blade to bind or the workpiece to shift during the cutting operation pulling you and the helper into the spinning blade.
- n) **The cut-off piece must not be jammed or pressed by any means against the spinning saw blade.** If confined, i.e. using length stops, the cut-off piece could get wedged against the blade and thrown violently.
- o) **Always use a clamp or a fixture designed to properly support round material such as rods or tubing.** Rods have a tendency to roll while being cut, causing the blade to “bite” and pull the work with your hand into the blade.
- p) **Let the blade reach full speed before contacting the workpiece.** This will reduce the risk of the workpiece being thrown.
- q) **If the workpiece or blade becomes jammed, turn the mitre saw off. Wait for all moving parts to stop and disconnect the plug from the power source and/or remove the battery pack. Then work to free the jammed material.** Continued sawing with a jammed workpiece could cause loss of control or damage to the mitre saw.
- r) **After finishing the cut, release the switch, hold the saw head down and wait for the blade to stop before removing the cut-off piece.** Reaching with your hand near the coasting blade is dangerous.
- s) **Hold the handle firmly when making an incomplete cut or when releasing the switch before the saw head is completely in the down position.** The braking action of the saw may cause the saw head to be suddenly pulled downward, causing a risk of injury.

Safety Instructions for the handling of saw blades

1. Do not use damaged or deformed saw blades.
2. Do not use any insertion tools with cracks. Sort out cracked insertion tools. Repairs are not permitted.
3. Do not use saw blades made of high speed steel.
4. Check the condition of the saw blades before using the cross cut mitre saw.
5. Make sure that a suitable saw blade for the material to be cut is selected.
6. Only use saw blades recommended by the manufacturer. Saw blades designed to cut wood and similar materials must comply with EN 847-1.
7. Do not use saw blades made of high-speed alloy steel (HSS steel).
8. Only use saw blades for which the maximum permissible speed is not lower than the maximum spindle speed of the cross cut mitre saw and which are suitable for the material to be cut.
9. Observe the saw blade direction of rotation.
10. Only insert the saw blade if you have mastered their use.
11. Observe the maximum speed. The maximum speed specified on the insertion tool may not be exceeded. If specified, observe the speed range.
12. Clean grease, oil and water off of the clamping surfaces.
13. Do not use any loose reducing rings or bushes for the reducing of holes on saw blades.
14. Make sure that fixed reducer rings for securing the insertion tool have the same diameter and have at least 1/3 of the cutting diameter.

15. Make sure that fixed reducer rings are parallel to each other.
16. Handle insertion tool with caution. They are ideally stored in the originally package or special containers. Wear protective gloves in order to improve grip and to further reduce the risk of injury.
17. Prior to the use of insertion tools, make sure that all protective devices are properly fastened.
18. Prior to use, make sure that the insertion tool meets the technical requirements of this electric tool and is properly fastened.
19. Only use the supplied saw blade for cutting wood, never for the processing of metals.
20. Only use saw blade diameters in accordance with the markings on the saw.
21. Use additional workpiece supports, if required for workpiece stability.
22. Workpiece support extensions must always be secured and used during work.
23. Replace table inserts when worn!
24. Avoid overheating of the saw teeth.
25. When sawing plastic, avoid melting of the plastic. Use the appropriate saw blades for this purpose. Replace damaged or worn saw blades immediately. When the saw blade overheats, stop the machine. Allow the saw blade to cool down before using the power tool again.



Attention: Laser radiation
Do not stare into the beam
Class 2 laser



Protect yourself and you environment from accidents using suitable precautionary measures!

- Do not look directly into the laser beam with unprotected eyes.
- Never look into the path of the beam.
- Never point the laser beam towards reflecting surfaces and persons or animals. Even a laser beam with a low output can cause damage to the eyes.
- Caution - methods other than those specified here can result in dangerous radiation exposure.
- Never open the laser module. Unexpected exposure to the beam can occur.
- If you do not use the device for a long time, the batteries should be removed.
- The laser may not be replaced with a different type of laser.
- Repairs of the laser may only be carried out by the laser manufacturer or an authorised representative.

Safety instructions for handling batteries

1. Always make sure that the batteries are inserted with the correct polarity (+ and -), as indicated on the battery.
2. Do not short-circuit batteries.
3. Do not charge non-rechargeable batteries.
4. Do not overcharge batteries!
5. Do not mix old and new batteries or batteries of different types or manufacturers! Replace an entire set of batteries at the same time.


6. Immediately remove used batteries from the device and dispose of them properly! Do not dispose batteries with household waste. Defective or used batteries must be recycled according to Directive 2006/66 / EC. Give back batteries and / or the device has been offered to the collective facilities. About disposal facilities you can inform by your municipal or city government.
7. Do not allow batteries to heat up!
8. Do not weld or solder directly on batteries!
9. Do not dismantle batteries!
10. Do not allow batteries to deform!
11. Do not throw batteries into fire!
12. Keep batteries out of the reach of children.
13. Do not allow children to replace batteries without supervision!
14. Do not keep batteries near fire, ovens or other sources of heat. Do not use batteries in direct sunlight or store them in vehicles in hot weather.
15. Keep unused batteries in the original packaging and keep them away from metal objects. Do not mix unpacked batteries or toss them together! This can lead to a short-circuit of the battery and thus damage, burns or even the risk of fire.
16. Remove batteries from the equipment when it will not be used for an extended period of time, unless it is for emergencies!
17. NEVER handle batteries that have leaked without appropriate protection. If the leaked fluid comes into contact with your skin, the skin in this area should be rinsed off under running water immediately. Always prevent the fluid from coming into contact with the eyes and mouth. In the event of contact, please seek immediate medical attention.
18. Clean the battery contacts and corresponding contacts in the device prior to inserting the batteries.

Residual risks

The machine has been built according to the state of the art and the recognised technical safety requirements. However, individual residual risks can arise during operation.

- Health hazard due to electrical power, with the use of improper electrical connection cables.
- Furthermore, despite all precautions having been met, some non-obvious residual risks may still remain.
- Residual risks can be minimised if the "Safety information" and the "Proper use" are observed along with the whole of the operating instructions.
- Do not load the machine unnecessarily: excessive pressure when sawing will quickly damage the saw blade, which results in reduced output of the machine in the processing and in cut precision.
- When cutting plastic material, please always use clamps: the parts which should be cut must always be fixed between the clamps.
- Avoid accidental starting of the machine: the operating button may not be pressed when inserting the plug in an outlet.
- Use the tool that is recommended in this manual. In doing so, your machine provides optimal performance.
- Hands may never enter the processing zone when the machine is in operation.
- Release the handle button and switch off the machine prior to any operations.

7. Technical data

AC motor.....	220 - 240 V~ 50Hz
Power S1.....	1200 Watt
Operating mode.....	S6 25%* 1500W
Idle speed n_0	5000 min ⁻¹
Carbide saw blade	∅ 210 x ∅ 30 x 2,6 mm
Number of teeth	48
Maximum saw blade tooth width	3 mm
Swivel range.....	-45° / 0° / +45°
Mitre cut.....	0° - 45° to the left
Saw width at 90°	120 x 60 mm
Saw width at 45°	80 x 60 mm
Saw width at 2 x 45° (double mitre cut)	80 x 35 mm
Protection class	II / 
Weight	approx. 7.6 kg
Laser class.....	2
Wavelength of laser.....	650 nm
Laser output	< 1 mW

* S6, continuous operation periodic duty. Identical duty cycles with a period at load followed by a period at no load. Running time 10 minutes; duty cycle is 25% of the running time.

The work piece must have a minimum height of 3 mm and a minimum width of 10 mm. Make sure that the workpiece is always secured with the clamping device.

Noise

Total noise values determined in accordance with EN 62841.	
Sound pressure level L_{pA}	99.6 dB(A)
Uncertainty K_{pA}	3 dB
Sound power level L_{WA}	112.6 dB(A)
Uncertainty K_{WA}	3 dB

Wear hearing protection.

The effects of noise can cause a loss of hearing

The above-mentioned noise emission values were measured in accordance with a standardised test procedure and can be used to compare one power tool with another.

The above-mentioned noise emission values can also be used for the preliminary assessment of exposure.

Warning:

- The noise emissions during the actual use of the power tool may differ from the above-mentioned values depending on the power tool being used, in particular on the type of workpiece being processed.
- Try to keep emissions as low as possible, for example by limiting your working time. In this regard, all the operational cycle phases must be taken into consideration (such as the times when the tool is switched off or running idle).

8. Before starting the equipment

- Open the packaging and remove the device carefully.
- Remove the packaging material as well as the packaging and transport bracing (if available).
- Check that the delivery is complete.
- Check the device and accessory parts for transport damage.
- If possible, store the packaging until the warranty period has expired.

ATTENTION

The device and packaging materials are not toys! Children must not be allowed to play with plastic bags, film and small parts! There is a risk of swallowing and suffocation!

Always ensure that the machine is stable and can stand securely, i. e. bolted down on a workbench.

- The equipment must be set up where it can stand securely. Secure the machine on a workbench or a base frame with 4 screws (not included in delivery) using the holes on the fixed saw table (9).
- All covers and safety devices have to be properly fitted before the equipment is switched on.
- It must be possible for the blade to run freely.
- When working with wood that has been processed before, watch out for foreign bodies such as nails or screws, etc.
- Before you press the ON/OFF switch check that the saw blade is fitted correctly. Moving parts must run smoothly.
- Before you connect the equipment to the power supply make sure the data on the rating plate are identical to the mains data.

8.1 Assembling the work piece clamping device (fig. 2)

- Loosen the locking screw (19) and attach the work piece clamping device (15) to the left or right of the fixed saw bench.
- Afterwards, retighten the locking screws (19).

8.2 Assembling the work piece supports (fig. 2 - 3)

- Loosen the locking screw (14) and guide the work piece support through the specified hole on the side of the fixed saw bench.
- Make sure that the work piece support (18) is also guided through the two plates on the underneath.
- Afterwards, retighten the locking screw (14).
- Repeat this process on the other side.

8.3 Assembling the support stand (fig. 2 - 3)

- Loosen the locking screw (20) on the underneath of the saw and guide the support stand (21) through the specified holes on the back of the saw.
- Afterwards, retighten the locking screw (20).

8.4 Sawdust bag (fig. 4)

The saw is equipped with a sawdust bag (17) for sawdust and chips.

- Squeeze together the metal ring on the dust bag and attach it to the outlet opening in the motor area.
- The sawdust bag (17) can be emptied by means of a zipper at the bottom.

Connection to an external dust extractor

- Connect the vacuum hose with the dust extraction spout.
- The industrial vacuum cleaner must be suitable for the material being worked.
- When vacuuming dust that is especially detrimental to health or carcinogenic, use a special vacuum cleaner.

8.5 Checking the moving saw blade guard safety device (5)

The saw blade guard protects against accidental contact with the saw blade and from chips flying around.

Check function

To do so, fold the saw downwards:

- The saw blade guard must provide free access to the saw blade without touching other parts.
- When folding the saw upwards into the starting position, the saw blade guard must cover the saw blade automatically.

9. Attachment and operation

9.1 Attaching the cross cut mitre saw (fig.1 - 3)

- Release the rotary table (13) by loosening the set screw (7).
- Using the handle (3), set the rotary table (13) to the desired angle.

NOTE

The cross cut mitre saw can be pivoted left and right with the rotary table. Exact angle adjustment is possible on the basis of the scale. The angle can be precisely and quickly adjusted from 0° to 45° with locking positions at 15°, 22.5° and 30°.

- Retighten the set screw (7) in order to secure the rotary table.
- Pressing the machine head (4) lightly downwards and removing the locking bolt (25) from the motor bracket at the same time disengages the saw from the lowest position.
- Swing the machine head (4) up.
- It is possible to secure the clamping device (15) to the left or right on the stationary saw table (9). Insert the clamping device (15) in the hole on the rear side of the stop rail (8) and secure it with the star grip screw (19).
- It is possible to tilt the machine head (4) a max. 45° to the left by loosening the locking screw (23).
- Workpiece supports (18) must always be secured and used during work.

9.2 Precision adjustment of the stop for crosscut at 90° (fig. 5)

No stop angle included.

- Lower the machine head (4) and secure it using the locking bolt (25).
- Loosen the locking screw (23).
- Position the angle stop (A) between the saw blade (6) and the rotary table (13).

- Loosen the lock nut (26a).
- Adjust the adjusting screw (26) until the angle between the saw blade (6) and rotary table (13) is 90°.
- Re-tighten the lock nut (26a).

9.3 Crosscut at 90° and rotary table at 0° (fig. 1/2/3/6)

Important! To make 90° crosscuts, the adjustable stop rail (8a) must be fixed at the inner position.

- Open the set screw (8b) for the adjustable stop rail (8a) and push the adjustable stop rail (8a) inwards.
- The adjustable stop rail (8a) must be fixed far enough in front of the innermost position that the distance between the adjustable stop rail (8a) and the saw blade (6) amounts to a maximum of 8 mm.
- Before making a cut, check that the adjustable stop rail (8a) and the saw blade (6) cannot collide.
- Secure the set screw (8b) again.
- Move the machine head (4) to its upper position.
- Place the piece of wood to be cut at the stop rail (8) and on the rotary table (13).
- Lock the material with the clamping devices (15) on the fixed saw table (9) to prevent the material from moving during the cutting operation. See section 9.12.
- Release the lock switch (2) and press the ON/OFF switch (1) to start the motor.
- Use the handle (3) to move the machine head (4) steadily and with light pressure downwards until the saw blade (6) has completely cut through the work piece.
- When the cutting operation is completed, move the machine head back to its upper (home) position and release the ON/OFF button (1).

Attention!

The machine executes an upward stroke automatically due to the return spring, i.e. do not release the handle (3) after completing the cut; instead allow the machine head to move upwards slowly whilst applying light counter pressure.

9.4 Crosscut at 90° and rotary table between 0° and 45° (fig. 1/2/3/6)

The cross cut mitre saw can be used to make crosscuts of 0° -45° to the left and 0° -45° to the right in relation to the stop rail.

Important!

To make 90° crosscuts, the adjustable stop rail (8a) must be fixed at the inner position.

- Open the set screw (8b) for the adjustable stop rail (8a) and push the adjustable stop rail (8a) inwards.
- The adjustable stop rail (8a) must be fixed far enough in front of the innermost position that the distance between the adjustable stop rail (8a) and the saw blade (6) amounts to a maximum of 8 mm.
- Before making a cut, check that the adjustable stop rail (8a) and the saw blade (6) cannot collide.
- Secure the set screw (8b) again.
- Release the rotary table (13) by loosening the set screw (7).
- Using the handle (3), set the rotary table (13) to the desired angle.
- Retighten the set screw (7) in order to secure the rotary table.
- Cut as described under section 9.3.

9.5 Precision adjustment of the stop for mitre cut at 45° (fig. 1/2/3/6/7/8)

No stop angle included.

- Lower the machine head (4) and secure it using the locking bolt (25).
- Fix the rotary table (13) in the 0° position.
- Important. For mitre cuts, the adjustable stop rail (8a) must be fixed at the inner position.
- Open the set screw (8b) for the adjustable stop rail (8a) and push the adjustable stop rail (8a) outwards.
- The adjustable stop rail (8a) must be fixed far enough in front of the innermost position that the distance between the adjustable stop rail (8a) and the saw blade (6) amounts to a maximum of 8 mm.
- Before making a cut, check that the adjustable stop rail (8a) and the saw blade (6) cannot collide.
- Secure the set screw (8b) again.
- Loosen the locking screw (23) and use the handle (3) to angle the machine head (4) 45° to the left.
- 45° - position angle stop (B) between the saw blade (6) and rotary table (13).
- Loosen the locknut (22a) and adjust the adjusting screw (22) until the angle between the saw blade (6) and the rotary table (13) is precisely 45°.
- Re-tighten the locknut (22a).
- Subsequently check the position of the angle indicator. If necessary, loosen the pointer (28) using a Philips screwdriver, set to position 45° on the angle scale (27) and re-tighten the retaining screw.

9.6 Mitre cut between 0° and 45° and rotary table at 0° (fig. 1/2/3/6)

The cross cut mitre saw can be used to make mitre cuts between 0° and 45° in relation to the work face.

Important!

For mitre cuts, the adjustable stop rail (8a) must be fixed at the inner position.

Attention!

For mitre cuts between 0° and 45°, mount the clamping device (workpiece clamp) (15) only on the right side.

- Open the set screw (8b) for the adjustable stop rail (8a) and push the adjustable stop rail (8a) outwards.
- The adjustable stop rail (8a) must be fixed far enough in front of the innermost position that the distance between the adjustable stop rail (8a) and the saw blade (6) amounts to a maximum of 8 mm.
- Before making a cut, check that the adjustable stop rail (8a) and the saw blade (6) cannot collide.
- Secure the set screw (8b) again.
- Move the machine head (4) to the top position.
- Fix the rotary table (13) in the 0° position.
- Loosen the locking screw (23) and use the handle (3) to angle the machine head (4) to the left, until the pointer (28) indicates the desired angle measurement on the scale (27).
- Re-tighten the locking screw (23).
- Cut as described in section 9.3.

9.7 Mitre cut between 0° and 45° and rotary table between 0° and 45° (fig. 1/2/3/6)

The cross cut mitre saw can be used to make mitre cuts to the left of 0° - 45° in relation to the work face and, at the same time, 0° - 45° to the left or 0° - 45° to the right in relation to the stop rail (double mitre cut).

Attention!

For mitre cuts (inclined saw head), the adjustable stop rail (8a) must be fixed in the outer position.

Attention!

For mitre cuts between 0° and 45°, mount the clamping device (workpiece clamp) (15) only on the right side.

- Open the set screw (8b) for the adjustable stop rail (8a) and push the adjustable stop rail (8a) outwards.
- The adjustable stop rail (8a) must be fixed far enough in front of the innermost position that the distance between the adjustable stop rail (8a) and the saw blade (6) amounts to a maximum of 8 mm.
- Before making a cut, check that the adjustable stop rail (8a) and the saw blade (6) cannot collide.
- Secure the set screw (8b) again.
- Move the machine head (4) to its upper position.
- Release the rotary table (13) by loosening the set screw (7).
- Using the handle (3), set the rotary table (13) to the desired angle.
- Retighten the set screw (7) in order to secure the rotary table.
- Undo the locking screw (23).
- Use the handle (3) to tilt the machine head (4) to the left until it coincides with the required angle value (in this connection see also section 9.6).
- Re-tighten the locking screw (23).
- Cut as described under section 9.3.

9.8 Changing the saw blade (fig. 1/2/3/9/10)

Remove the power plug!

Important!

Wear safety gloves when changing the saw blade.

Risk of injury!

- Swing the machine head (4) upwards and secure with the locking bolt (25).
- Fold the saw blade guard (5) upwards until the saw blade guard (5) is above the flange screw (29).
- With one hand insert the Allen key (C) in the flange screw (29).
- Hold the Allen key (C) and slowly close the saw blade guard (5) until it touches the Allen key (C).
- Firmly press the saw shaft lock (32) and slowly rotate the flange screw (29) in clockwise direction. The saw shaft lock (32) engages after no more than one rotation.
- Now, using a little more force, slacken the flange screw (29) in the clockwise direction.
- Turn the flange screw (29) right out and remove the outer flange (30).
- Take the blade (6) off the inner flange and pull out downwards.
- Carefully clean the flange screw (29), outer flange (30) and inner flange.
- Fit and fasten the new saw blade (6) in reverse order.

- Important! The cutting angle of the teeth, in other words the direction of rotation of the saw blade (6) must coincide with the direction of the arrow on the housing.
- Before continuing your work make sure that all safety devices are in good working condition.
- Important! Every time that you change the saw blade (6), check to see that it spins freely in the table insert (10) in both perpendicular and 45° angle settings.

Important!

The work to change and align the saw blade (6) must be carried out correctly.

9.9 Replacing laser batteries (fig. 11)

- Remove the laser battery cover (34). Remove the 2 batteries.
- Replace both batteries with the same or an equivalent type. Make sure that they are inserted with the same polarity as the used batteries.
- Close the battery cover.

9.10 Switch ON / switch OFF the laser (fig. 11)

To switch on:

Move the ON/OFF switch (33) of the laser to the "1" position. A laser line is projected onto the material you wish to process, providing an exact guide for the cut.

To switch off:

Move the ON/OFF switch of the laser to the "0" position.

9.11 Adjusting the laser (fig. 12)

If the laser (35) ceases to indicate the correct cutting line, you can readjust the laser. To do so, open the screws (36) and set the laser by moving sideways so that the laser beam strikes the teeth of the saw blade (6).

9.12 Using the clamping handle (fig. 1/2)

The height of the clamping device (15) can be adjusted via the set screw (16).

- Lower the clamping device onto the workpiece.
- Tighten the set screw (16) firmly.
- Turn the clamping handle (24) clockwise to clamp the workpiece.
- To release the workpiece, proceed in reverse order.

10. Transport (fig. 13)

- Tighten the set screw (7) in order to lock the rotary table (13)
- Press the machine head (4) downwards and secure with the locking bolt (25). The saw is now locked in the lower position.
- Carry the equipment by the transport handle (37).
- When reassembling the equipment proceed as described under section 8 - 9.

11. Maintenance

⚠ Warning!

Prior to any adjustment, maintenance or service work disconnect the mains power plug!

General maintenance measures

Wipe chips and dust off the machine from time to time using a cloth. In order to extend the service life of the tool, oil the rotary parts once monthly. Do not oil the motor.

When cleaning the plastic do not use corrosive products.

Cleaning the moving saw blade guard safety device (5)

Always check the saw blade guard for debris before using the machine.

Remove old sawdust and splinters using a brush or similar tool.

Replacing the table insert (fig. 14)

Danger!

With a damaged table insert (10) there is a risk of small parts getting stuck between table insert and saw blade, blocking the saw blade.

Immediately replace damaged table inserts!

1. Remove table insert screws (E).
2. Remove table insert.
3. Install new table insert.
4. Tighten the table insert screws (E).

Brush inspection

Check the carbon brushes after the first 50 operating hours with a new machine, or when new brushes have been fitted. After carrying out the first check, repeat the check every 10 operating hours.

If the carbon is worn to a length of 6 mm, or if the spring or contact wire are burned or damaged, it is necessary to replace both brushes. If the brushes are found to be usable following removal, it is possible to reinstall them.

When servicing the carbon brushes, open the two latches counterclockwise (as shown in figure 15). Then remove the carbon brushes.

Replace the carbon brushes in the reverse order.

Service information

Please note that the following parts of this product are subject to normal or natural wear and that the following parts are therefore also required for use as consumables.

Wear parts*: carbon brushes, saw blade, table inserts, sawdust bags

* Not necessarily included in the scope of delivery!

12. Storage

Store the device and its accessories in a dark, dry and frost-proof place that is inaccessible to children. The optimum storage temperature is between 5 and 30°C.

Store the electrical tool in its original packaging.

Cover the electrical tool in order to protect it from dust and moisture.

Store the operating manual with the electrical tool.

13. Electrical connection

The electrical motor installed is connected and ready for operation. The connection complies with the applicable VDE and DIN provisions. The customer's mains connection as well as the extension cable used must also comply with these regulations.

Important information

In the event of an overloading the motor will switch itself off. After a cool-down period (time varies) the motor can be switched back on again.

Damaged electrical connection cable

The insulation on electrical connection cables is often damaged.

This may have the following causes:

- Passage points, where connection cables are passed through windows or doors.
- Kinks where the connection cable has been improperly fastened or routed.
- Places where the connection cables have been cut due to being driven over.
- Insulation damage due to being ripped out of the wall outlet.
- Cracks due to the insulation ageing.

Such damaged electrical connection cables must not be used and are life-threatening due to the insulation damage.

Check the electrical connection cables for damage regularly. Make sure that the connection cable does not hang on the power network during the inspection.

Check the electrical connection cables for damage regularly. Make sure that the connection cable does not hang on the power network during the inspection.

The printing of the type designation on the connection cable is mandatory.

Safety instructions for the replacement of damaged or defective power supply cables

Type X:

If the power cord of this device is damaged, it must be replaced by the manufacturer, their service department or a similarly qualified person to avoid dangers.

AC motor:

The mains voltage must be 220 - 240 V~.

- Extension cables up to 25 m long must have a cross-section of 1.5 mm².
- Connections and repairs of electrical equipment may only be carried out by an electrician.

Please provide the following information in the event of any enquiries:

- Type of current for the motor
- Machine data - type plate

14. Disposal and recycling

The equipment is supplied in packaging to prevent it from being damaged in transit. The raw materials in this packaging can be reused or recycled.

The equipment and its accessories are made of various types of material, such as metal and plastic. Defective components must be disposed of as special waste. Ask your dealer or your local council.



The packaging is wholly composed of environmentally-friendly materials that can be disposed of at a local recycling centre.

Contact your local refuse disposal authority for more details of how to dispose of your worn-out electrical devices.

Old devices must not be disposed of with household waste!



This symbol indicates that this product must not be disposed of together with domestic waste in compliance with the Directive (2012/19/EU) pertaining to waste electrical and electronic equipment (WEEE). This product must be disposed of at a designated collection point. This can occur, for example, by handing it in at an authorised collecting point for the recycling of waste electrical and electronic equipment. Improper handling of waste equipment may have negative consequences for the environment and human health due to potentially hazardous substances that are often contained in electrical and electronic equipment. By properly disposing of this product, you are also contributing to the effective use of natural resources. You can obtain information on collection points for waste equipment from your municipal administration, public waste disposal authority, an authorised body for the disposal of waste electrical and electronic equipment or your waste disposal company.

Batteries and rechargeable batteries do not belong in the household waste!



As the consumer you are required by law to bring all batteries and rechargeable batteries, regardless whether they contain harmful substances* or not, to a collection point run by the local authority or to a retailer, so that they can be disposed of in an environmentally friendly manner.

*labelled with: Cd = cadmium, Hg = mercury, Pb = lead

Remove the batteries from the laser before disposing of the machine and the batteries.

15. Troubleshooting

Fault	Possible cause	Remedy
Motor does not work	Motor, cable or plug defective, fuses burnt	Arrange for inspection of the machine by a specialist. Never repair the motor yourself. Danger! Check fuses and replace as necessary
The motor starts up slowly and does not reach operating speed.	Voltage too low, coils damaged, capacitor burnt	Contact the utility provider to check the voltage. Arrange for inspection of the motor by a specialist. Arrange for replacement of the capacitor by a specialist
Motor makes excessive noise	Coils damaged, motor defective	Arrange for inspection of the motor by a specialist
The motor does not reach its full power.	Circuits in the network are overloaded (lamps, other motors, etc.)	Do not use any other equipment or motors on the same circuit
Motor overheats easily.	Overloading of the motor, insufficient cooling of the motor	Avoid overloading the motor while cutting, remove dust from the motor in order to ensure optimal cooling of the motor
Saw cut is rough or wavy	Saw blade dull, tooth shape not appropriate for the material thickness	Re-sharpen saw blade and/or use suitable saw blade
Workpiece pulls away and/or splinters	Excessive cutting pressure and/or saw blade not suitable for use	Insert suitable saw blade

16. Warranty certificate

Dear Customer,

All of our products undergo strict quality checks to ensure that they reach you in perfect condition. In the unlikely event that your device develops a fault, please contact our service department at the address shown on this guarantee card. Of course, if you would prefer to call us then we are also happy to offer our assistance under the service number printed below. Please note the following terms under which guarantee claims can be made:

- These guarantee terms cover additional guarantee rights and do not affect your statutory warranty rights. We do not charge you for this guarantee.
- Our guarantee only covers problems caused by material or manufacturing defects, and it is restricted to the rectification of these defects or replacement of the device. Please note that our devices have not been designed for use in commercial, trade or industrial applications. Consequently, the guarantee is invalidated if the equipment is used in commercial, trade or industrial applications or for other equivalent activities. The following are also excluded from our guarantee: compensation for transport damage, damage caused by failure to comply with the installation/assembly instructions or damage caused by unprofessional installation, failure to comply with the operating instructions (e.g. connection to the wrong mains voltage or current type), misuse or inappropriate use (such as overloading of the device or use of non-approved tools or accessories), failure to comply with the maintenance and safety regulations, ingress of foreign bodies into the device (e.g. sand, stones or dust), effects of force or external influences (e.g. damage caused by the device being dropped) and normal wear resulting from proper operation of the device.

The guarantee is rendered null and void if any attempt is made to tamper with the device.

- The guarantee is valid for a period of 3 years starting from the purchase date of the device. Guarantee claims should be submitted before the end of the guarantee period within two weeks of the defect being noticed. No guarantee claims will be accepted after the end of the guarantee period. The original guarantee period remains applicable to the device even if repairs are carried out or parts are replaced. In such cases, the work performed or parts fitted will not result in an extension of the guarantee period, and no new guarantee will become active for the work performed or parts fitted. This also applies when an on-site service is used.
- In order to assert your guarantee claim, please contact the service partner shown below. If the complaint is within the guarantee period, we will provide you with a return slip, with which you can return your defective device free of charge to us. It would help us if you could describe the nature of the problem in as much detail as possible. If the defect is covered by our guarantee then your device will either be repaired immediately and returned to you, or we will send you a new device.

Of course, we are also happy offer a chargeable repair service for any defects which are not covered by the scope of this guarantee or for units which are no longer covered. To take advantage of this service, please send the device to our service address.

Service-Hotline (GB/IE/NI):

00800 4003 4003
(0,00 EUR/Min.)

Service-Email (GB):

service.GB@schepach.com

Service-Email (IE/NI):

service.IE@schepach.com

Service Address (GB/IE/NI):

Forest Park & Garden
Coed Court, Taffsmead Road
Treforest, Ind. Estate, Pontypridd CF375SW



At www.lidl-service.com you can download this and many more manuals, product videos plus installation software.

The QR code takes you directly to the Lidl service page (www.lidl-service.com) and you can open your operating manual by entering the article number (IAN) 373880_2104.

1.	Forklaring til symbolerne på maskinen	16
2.	Indledning.....	17
3.	Beskrivelse af apparatet (fig. 1-13)	17
4.	Leveringsomfang	18
5.	Tilsluttet brug	18
6.	Sikkerhedsforskrifter	18
7.	Tekniske data.....	22
8.	Før ibrugtagning.....	22
9.	Opbygning og betjening.....	23
10.	Transport (fig. 13)	25
11.	Vedligeholdelse.....	25
12.	Opbevaring.....	25
13.	El-tilslutning	25
14.	Bortskaffelse og genbrug.....	26
15.	Afhjælpning af fejl.....	27
16.	Garantibevis.....	28
17.	Eksplodingstegning.....	90
18.	Overensstemmelseserklæring.....	91

1. Forklaring til symbolerne på maskinen



DK

Læs og overhold brugsanvisningen og sikkerhedsforskrifterne før ibrugtagning!



DK

Brug beskyttelsesbriller!



DK

Brug høreværn!



DK

Brug åndedrætsværn i støvede omgivelser!



DK

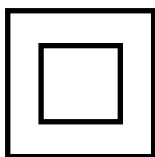
Pas på! Fare for tilskadekomst! Undlad at række hånden ind i den kørende savklinge!



Achtung! - Laserstrahlung
Nicht in den Strahl blicken!
Laser Klasse 2
Laserspezifikation nach EN 60825-1:2014
λ = 650 nm P_e < 1 mW

DK

Pas på! Laserstråling



DK

Kapslingsklasse II (dobbelisolering)

2. Indledning

Producent: scheppach

Fabrikation von Holzbearbeitungsmaschinen GmbH
Günzburger Straße 69
D-89335 Ichenhausen

Kære kunde,

Vi ønsker dig rigtig god fornøjelse og held og lykke med arbejdet med dit nye apparat.

Bemærk:

Iht. den gældende lov om produktansvar hæfter producenten af denne maskine ikke for skader, der opstår på eller i forbindelse med denne maskine i forbindelse med:

- forkert behandling
- manglende overholdelse af betjeningsvejledningen
- reparationer gennemført af tredjemand og/eller af ikke autoriserede fagfolk
- indbygning og udskiftning af ikke originale reservedele
- brug i strid med formålet
- Svigt af det elektriske anlæg som følge af tilsidesættelse af de elektriske forskrifter og VDE-bestemmelserne 0100, DIN 57113 / VDE0113.

Vær opmærksom på følgende:

Læs hele brugsanvisningens tekst igennem før montering og før ibrugtagning.

Formålet med denne brugsanvisning er at gøre det lettere for dig at lære apparatet at kende og benytte det som tilsigtet.

Brugsanvisningen indeholder vigtige oplysninger om, hvordan man bruger apparatet sikkert, professionelt og økonomisk, og hvordan man undgår farer, sparer reparationsomkostninger, reducerer driftsstop og øger apparatets driftssikkerhed og levetid.

Udover sikkerhedsbestemmelserne i denne brugsanvisning skal de forskrifter vedr. brug af apparatet, der måtte gælde i det enkelte land (brugslandet), overholdes til punkt og prikke.

Opbevar brugsanvisningen i nærheden apparatet; pak den ind i en plastikpose, så den er beskyttet mod snavs og fugt. Den skal læses og overholdes nøje af alle betjeningspersoner, før arbejdet startes.

Arbejde på apparatet på kun udføres af personer, der er instrueret i brug af apparatet, og som er informeret om de dermed forbundne farer. Den lovmæssige mindstealder skal overholdes.

Ud over sikkerhedsanvisningerne i denne brugsanvisning og de særlige forskrifter, der gælder i brugslandet, skal de almindeligt anerkendte, tekniske regler, der gælder i forbindelse med brug af træbearbejdningsmaskiner, overholdes.

Vi fraskriver os ethvert ansvar for uheld eller skader, der måtte opstå som følge af manglende overholdelse af denne vejledning og sikkerhedsinstrukserne.

3. Beskrivelse af apparatet (fig. 1-13)

1. Tænd/Sluk-kontakt
 2. Spærrekontakt
 3. Håndtag
 4. Maskinoverdel
 5. Bevægelig savklingebeskyttelse
 6. Savklinge
 7. Låseskrue til drejebord
 8. Anslagskinne
 - 8a. Forskydelig anslagskinne
 - 8b. Låseskrue
 9. Fast savbord
 10. Bordindlæg
 11. Skala
 12. Viser
 13. Drejebord
 14. Låseskrue til emnesupport
 15. Spændeanordning (Emnespænder)
 16. Låseskrue
 17. Spånpose
 18. Emnesupport
 19. Låseskrue til spændeanordning
 20. Låseskrue til kipsikring
 21. Ståbøjle
 22. Justeringsskrue (45°)
 - 22a. Låsemøtrik justeringsskrue (45°)
 23. Låseskrue
 24. Klemmegreb
 25. Låsebolt
 26. Justerskrue (90°)
 - 26a. Låsemøtrik justeringsskrue (90°)
 27. Skala
 28. Viser
 29. Flangeskrue
 30. Yderflange
 31. Føringsbøjle
 32. Savakselspærring
 33. Tænd/Sluk-knap laser
 34. Batteriafdækning
 35. Laser
 36. Skrue (Laser)
 37. Transportgreb
- (A) 90° anslagsvinkel (medfølger ikke)
(B) 45° anslagsvinkel (medfølger ikke)
(C) Unbrakonøgle, 6 mm
(D) Unbrakonøgle, 3 mm
(E) Stjerneskrue (bordindlæg)

4. Leveringsomfang

- Afkorter- og gjaeringssag
- Spånpose
- Emnespænder
- Unbrakonøgle 6 mm (C)
- Unbrakonøgle 3 mm (D)
- 2 underlag til arbejdssemner
- Ståbjøle
- 2 kulbørster
- 2 batterier (AAA)
- Brugsanvisning

5. Tilsigtet brug

Kap- og geringsraven bruges til at skære i træ og kunststoffer, som passer til savens størrelse. Saven egner sig ikke til at skære brænde.

Advarsel!

Brug ikke apparatet til at skære i andre materialer end dem, der er beskrevet i brugsanvisningen.

Advarsel!

Den medfølgende savklinge er udelukkende beregnet til at skære i træ! Brug ikke denne savklinge til at skære brænde! Maskinen må kun bruges til det tilsigtede formål. Enhver anden form for brug falder uden for den korrekte anvendelse. Brugeren, ikke producenten, bærer ansvaret for materielle skader eller personskader af enhver art, der måtte opstå som følge heraf.

Der må kun bruges savklinger, som er egnet til maskinen. Det er forbudt at bruge skæreskiver af enhver art.

Tilsigtet anvendelse omfatter også overholdelse af sikkerhedsanvisningerne og monteringsvejledningen samt driftsanvisningerne i betjeningsvejledningen.

Personer, der betjener og vedligeholder maskinen, skal være fortrolige med denne og være informeret om mulige farer.

Derudover skal de gældende uheldsforebyggende forskrifter overholdes meget nøje.

Andre, generelle regler inden for arbejdsmedicinske og sikkerhedstekniske områder skal overholdes.

Hvis der foretages ændringer på maskinen, bortfalder producentens ansvar for deraf følgende skader.

Selv om maskinen bruges som tilsigtet, kan visse tilbageværende risikofaktorer ikke helt udelukkes. Følgende punkter kan opstå, hvilket skyldes maskinens konstruktion og opbygning:

- Kontakt med savklingen i det ikke-tildækkede savområde.
- Indgreb i den kørende savklinge (snitsår).
- Tilbageslag ("kickback") fra emner og emnele.
- Brud på savklinge.
- Udslyngning af defekte hårdmetaldele af savklingen.
- Høreskader hvis der ikke bruges høreværn.
- Sundhedsskadelige emissioner af træstøv ved brug i lukkede rum.

Vær opmærksom på, at vores maskiner ikke er konstrueret til erhvervsmæssig, håndværksmæssig eller industriel brug. Vi fraskriver os ansvaret, hvis maskinen bruges i erhvervs-, håndværks- eller industrivirksomheder samt til lignende arbejde.

6. Sikkerhedsforskrifter

Generelle sikkerhedsforskrifter for elværktøj

△ ADVARSEL! Læs alle sikkerhedsforskrifter, anvisninger, illustrationer og tekniske data, der følger med dette elværktøj. Følges instruktionerne, navnlig sikkerhedsforskrifterne, ikke nøje som beskrevet, kan dette føre til elektrisk stød, brand og/eller alvorlige personskader.

Opbevar alle sikkerhedsforskrifter og anvisninger til fremtidig brug.

Udtrykket "elværktøj", der er anvendt i sikkerhedsforskrifterne, henviser til lysnet-drevne elværktøjer (med lysnetkabel) eller til batteridrevne elværktøjer (uden lysnetkabel).

1. Arbejdspladssikkerhed

- Hold arbejdsområdet rent og godt oplyst.** Uorden eller uoplyste arbejdsområder kan føre til ulykker.
- Arbejd ikke med elværktøjet i eksplosionsfarlige omgivelser, hvor der findes brændbare væsker, gasser eller støv.** Elværktøj genererer gnister, der kan antænde støv eller dampe.
- Hold børn og andre personer på afstand, når der arbejdes med elværktøjet.** Hvis du bliver distraheret, risikerer du at miste kontrollen over elværktøjet.

2. Elektrisk sikkerhed

- Elværktøjets tilslutningsstik skal passe til stikkontakten.** Stikket må ikke ændres på nogen måde. Undlad brug af adapterstik sammen med elektrisk jordnet elværktøj. Uændrede stik og passende stikkontakter mindsker risikoen for at få stød.
- Undgå kropskontakt med jordede overflader som rør, varmeapparater, komfurer og køleskabe. Der er øget risiko for elektrisk stød, hvis din krop er jordforbundet.**
- Hold elværktøj på afstand af regn og fugt.** Indtrængning af vand i et elværktøj øger risikoen for at få stød.
- Brug ikke tilslutningsledningen til at bære eller ophænge elværktøjet eller til at trække stikket ud af stikkontakten med.** Hold tilslutningsledningen på afstand af varme, olie, skarpe kanter eller bevægelige dele. Beskadigede eller sammenfildrede tilslutningsledninger øger risikoen for at få stød.
- Når du arbejder udendørs med et elværktøj, må du kun bruge forlængerledninger, som også er egnet til udendørs brug.** Brug af forlængerledning, der er egnet til udendørs brug, reducerer risikoen for at få elektrisk stød.
- Hvis brug af elværktøjet i fugtigt miljø er uundgåelig, skal der anvendes fejlstrømsrelæ.** Brug af fejlstrømafbryder mindsker risikoen for at få stød.

3. Personers sikkerhed

- a) **Vær opmærksom, vær agtpågivende på, hvad du gør, og arbejd altid fornuftigt med et elværktøj. Brug ikke et elværktøj, hvis du er træt eller påvirket af narkotika, alkohol eller medikamenter.** Et øjebliks uagtsomhed, mens elværktøjet bruges, kan føre til alvorlige personskader.
- b) **Brug personlige værnemidler og altid beskyttelsesbriller.** Brug af personlige værnemidler såsom støvmaske, skridsikre sikkerhedssko, beskyttelseshjelm eller høreværn, afhængigt af hvad elværktøjet bruges til, mindsker risikoen for personskader.
- c) **Undgå utilsigtet ibrugtagning. Sørg for, at elværktøjet er slukket, før du tilslutter, opsamler eller bærer det hen til strømforsyningen og/eller batteriet.** Hvis du holder fingeren på kontakten, mens du bærer elværktøjet eller tilslutter det til strømforsyningen, kan dette forårsage ulykker.
- d) **Fjern indstillingsværktøj eller skruenøgler, inden du tilslutter elværktøjet.** Værktøj eller nøgler, som måtte befinde sig i en roterende del af elværktøjet, kan medføre personskader.
- e) **Undgå unormale kropsholdninger. Sørg for at stå sikkert, og hold altid ligevægten.** På denne måde kan du bedre kontrollere elværktøjet, hvis der opstår uventede situationer.
- f) **Brug egnet tøj. Brug ikke løstsiddende tøj eller smykker. Hold hår og tøj på afstand af bevægelige dele.** Løstsiddende tøj, smykker eller langt hår kan blive viklet ind i bevægelige dele.
- g) **Hvis der kan monteres støvudsugnings- og opsamlingsudstyr, skal sådant tilsluttes og anvendes korrekt.** Brug af støvudsugning kan mindske faren pga. støv.
- h) **Forlad dig ikke på falsk sikkerhed, og overskrid ikke sikkerhedsreglerne for elværktøjer, selvom du evt. føler dig fortrolig med elværktøjet efter længere tids brug.** Skødesløse handlinger kan føre til alvorlige personskader på en brøkdel af et sekund.

4. Anvendelse og behandling af elværktøjet

- a) **Undlad at overbelaste elværktøjet.** Til arbejdet skal man benytte det hertil beregnede elværktøj. Du arbejder bedre og mere sikkert med det passende elværktøj i det angivne effektområde.
- b) **Brug aldrig et elværktøj med defekt kontakt. Et elværktøj, der ikke kan tændes eller slukkes, er farligt og skal repareres.**
- c) **Træk stikket ud af stikkontakten, og/eller fjern et udtageligt batteri, før du foretager justeringer på enheden, skifter værktøjsdele eller lægger elværktøjet fra dig.** Denne forholdsregel forhindrer utilsigtet start af elværktøjet.
- d) **Opbevar ubenyttet elværktøj utilgængeligt for børn.** Lad ikke personer bruge elværktøjet, som ikke er fortrolige med det, eller som ikke har læst denne vejledning. Elværktøjer er farlige i hænderne på uerfarne personer.

- e) **Elværktøjer og indsatsværktøjer skal plejes omhyggeligt.** Kontrollér med jævne mellemrum, om bevægelige dele fungerer, som de skal, og at de ikke sidder fast, om dele er brækket eller beskadiget på en sådan måde, at elværktøjets funktion er forringet. Få beskadigede dele repareret eller udskiftet, før elværktøjet tages i brug. Mange ulykker skyldes dårligt vedligeholdt elværktøj.
- f) **Hold skæreværktøj skarpt og rent. Omhyggeligt plejet skæreværktøj med skarpe skærekanten sætter sig mindre hyppigt fast og er lettere at føre.**
- g) **Brug elværktøj, tilbehør, indsatsværktøjer osv. i henhold til disse instruktioner.** Tag hensyn til arbejdsvilkårene og den aktivitet, der skal udføres. Brug af elværktøj til andre formål end de tilsigtede kan medføre farlige situationer.
- h) **Hold greb og gribeblader tørre, rene og fri for olie og fedt.** Glatte greb og gribeblader umuliggør sikker betjening af og kontrol med elværktøjet i uforudsete situationer.

5. Service

- a) **Elværktøjet må kun repareres af uddannet fagpersonale, og der må kun bruges originale reservedele.** Dette sikrer, at elværktøjet også fremover er sikker at bruge.

Advarsell

Dette elværktøj fremstiller et elektromagnetisk felt under driften. Dette felt kan under bestemte omstændigheder forringe aktive eller passive medicinske implantater. For at forringe faren for alvorlige kvæstelser eller kvæstelser med døden til følge anbefales det personer med medicinske implantater at gå til læge og kontakte producenten af det medicinske implantat, før elværktøjet betjenes.

Sikkerhedsforskrifter for gerings-/kapsave

- a) **Gerings- og kapsave er designet til at skære træ eller træliggende produkter; de kan ikke bruges til at skære jernmaterialer såsom stænger, bomme, skruer mv.** Slibende støv fører til blokering af bevægelige dele som den nederste beskyttelsesskærm. Skæregnister brænder den nederste beskyttelsesskærm, indsatspladen og andre plastdele.
- b) **Fasthold så vidt muligt emnet med skruetvinger. Hvis du holder emnet med hånden, skal du altid holde hånden mindst 100 mm fra hver side af savklingen. Denne sav må ikke benyttes til skæring af stykker, som er for små til, at de kan fastspændes eller holdes sikkert i hånden.** Hvis din hånd er for tæt på savklingen, er der øget risiko for personskader pga. kontakt med savklingen.
- c) **Emnet skal være ubevægeligt og enten være fastspændt eller presset mod anslaget og bordet. Skub ikke emnet ind i savklingen, og skær det aldrig med "frihånd".** Løse eller bevægelige emner kan blive udslynget med høj hastighed og forårsage personskader.

- d) **Skub saven igennem emnet. Undlad at trække saven igennem emnet. Man udfører en skæring først at løfte overdelen og trække denne hen over emnet uden at skære. Derefter tænder man motoren, svinger overdelen ned og skubber saven igennem emnet.** Ved trækkende skæring er der risiko for, at savklingen kravler op på emnet, hvorved savklingeenheden kastes ind mod operatøren.
- e) **Før aldrig hånden hen over den tilsigtede skærelinje, hverken foran eller bag savklingen.** Afstøtning af emnet "med krydsede hænder", dvs. at man holder emnet til højre for savklingen med venstre hånd, eller omvendt, er meget farligt.
- f) **Undlad at række hånden ind bag anslaget, mens savklingen roterer. Overhold altid en sikkerhedsafstand på 100 mm mellem hånden og den roterende savklinge (dette gælder på begge sider af savklingen, f.eks. ved fjernelse af træaffald).** Du kan muligvis ikke se, hvor tæt din hånd er på den roterende savklinge, og du kan komme alvorligt til skade.
- g) **Kontrollér emnet inden skæringen. Hvis emnet er bøjet eller krummet, skal det fastspændes, så den side, der er krummet udad, vender ind mod anslaget. Sørg altid for, at der ikke er mellemrum mellem emnet, anslaget og bordet langs skærelinjen.** Bøjede eller krummede emner kan vride sig eller forskyde sig og bevirke, at den roterende savklinge sætter sig fast under skæringen. Der må ikke være søm eller fremmedlegemer i emnet.
- h) **Brug ikke saven, før bordet er fri for værktøj, træflis mv.; kun emnet må befinde sig på bordet.** Mindre affaldsstykker, løse træstykker eller andre genstande, der kommer i kontakt med den roterende klinge, kan blive udslynget med høj hastighed.
- i) **Der må altid kun skæres i ét emne ad gangen.** Stabledede emner kan ikke fastspændes eller fastholdes ordentligt og kan bevirke, at klingen sætter sig fast eller skrider.
- j) **Sørg inden brug for, at gerings-/kapsaven står på en plan, fast arbejdsflade.** En plan og fast arbejdsflade reducerer risikoen for, at gerings-/kapsaven bliver ustabil.
- k) **Planlæg arbejdet. Når du justerer savklinge-hældningen eller geringsvinklen, skal du sørge for, at det justerbare anslag er justeret korrekt og understøtter emnet uden at komme i berøring med klingen eller beskyttelsesskærmen.** Uden at tænde maskinen og uden emner på bordet skal du simulere savklingens fulde skærebævegelse for at sikre dig, at klingen ikke går imod forhindringer eller skærer ind i anslaget.
- l) **For emner, der er bredere eller længere end bordoverfladen, skal du sørge for tilstrækkelig afstøtning f.eks. i form af bordforlængelse eller savbukke.** Emner, som er længere eller bredere end gerings-/kapsavens bord, kan vippe uden fast understøttelse. Hvis et afskåret stykke træ eller emnet vipper, kan dette løfte den nederste beskyttelsesskærm eller blive slynget ukontrollabelt væk af den roterende klinge.

- m) **Benyt ikke andre personer som erstatning for bordforlængelse eller som yderligere afstøtning.** Ustabil understøtning af emnet kan medføre, at klingen sætter sig fast. Emnet kan også forskyde sig under skæringen og trække både dig og en evt. hjælper ind i den roterende klinge.
- n) **Det afskårne stykke må ikke presses ind mod den roterende savklinge.** Hvis der er begrænset plads, f.eks. hvis der bruges længdeanslag, kan det afskårne stykke kile sig fast sammen med klingen og blive slynget væk med voldsom kraft.
- o) **Brug altid en skruetvinge eller et egnet fikstur til korrekt understøttelse af rundt materiale såsom stænger eller rør.** Stænger har tendens til at rulle væk under skæringen, hvilket får klingen til at "bide sig fast", hvorved emnet inkl. din hånd kan blive trukket ind i klingen.
- p) **Vent, til klingen har nået den fulde hastighed, inden du skærer i emnet.** Dette reducerer risikoen for, at emnet slynget ud.
- q) **Hvis emnet fastklemmes, eller klingen sætter sig fast, skal man slukke for gerings-/kapsaven. Vent, til alle bevægelige dele er stoppet; træk lysnetstikket ud, og/eller fjern batteriet. Fjern herefter det fastklemte materiale.** Hvis man sårer videre efter en sådan blokering, risikerer man at miste kontrollen eller beskadige gerings-/kapsaven.
- r) **Når du har udført skæringen, skal du slippe kontakten, holde overdelen nede og vente på, at klingen stopper, før du fjerner det afskårne stykke.** Det er meget farligt at række hånden ind i nærheden af den stadig roterende klinge.
- s) **Hold godt fast i håndtaget, hvis du udfører en ufuldstændig skæring, eller hvis du slipper kontakten, før overdelen har nået nederste yderposition.** På grund af savens bremseeffekt kan overdelen blive trukket brat ned, hvilket medfører risiko for personskade.

Sikkerhedsanvisninger vedrørende håndtering af savklinger

1. Anvend ikke beskadigede eller deformerede savklinger.
2. Anvend ikke savklinger med revner. Frasorter revnede savklinger. Reparation er ikke tilladt.
3. Anvend ikke savklinger, der er fremstillet af hurtigstål.
4. Kontrollér savklingernes tilstand, inden du benytter kap- og gerings-saven.
5. Anvend kun savklinger, der er egnet til det materiale, der skal skæres.
6. Anvend kun savklinger, der er foreskrevet af producenten. Savklingerne skal opfylde EN 847-1, hvis de skal benyttes til bearbejdning af træ eller lignende materialer.
7. Anvend ikke savklinger af højlegeret hurtigstål (HSS).
8. Brug kun savklinger, hvis maks. tilladte omdrejningstal ikke er lavere end kap- og gerings-savens maks. spindelomdrejningstal og som er egnet til materialet, der skal sårer i.
9. Vær opmærksom på savklingens omløbsretning.
10. Du må kun montere savklinger, hvis du har erfaring med dette.

11. Overhold det maks. omdrejningstal. Det maks. omdrejningstal, der er angivet på savklingen, må ikke overskrides. Overhold omdrejningstalområdet, hvis et sådant er angivet.
12. Rengør spånfladerne for snavs, fedt, olie og vand.
13. Brug ikke løse reduceringsringe eller -bøsninger til at reducere borer på savklinger.
14. Sørg for, at fastgjorte reduceringsringe til at sikre savklingen har den samme diameter og mindst 1/3 af snitdiameteren.
15. Sørg for, at de fastgjorte reduceringsringe er indbyrdes parallelle.
16. Omgå savklinger med forsigtighed. De skal så vidt muligt opbevares i den originale emballage eller specielle beholdere. Brug beskyttelseshandsker for at forbedre gribesikkerheden og reducere risikoen for personskader.
17. Sørg for, at alle beskyttelsesskærme er fastgjort korrekt, før savklingerne bruges.
18. Kontrollér før brug, at den anvendte savklinge opfylder de tekniske krav, der gælder for denne kap- og gerings-sav, og at den er monteret korrekt.
19. Brug kun den medfølgende savklinge til at skære i træ; aldrig i metal.
20. Anvend kun savklinger med en diameter, der svarer til specifikationerne på saven.
21. Anvend de ekstra emnesupporter, hvis dette er nødvendigt af hensyn til emnets stabilitet.
22. Emnesupportens forlængelser skal altid være monteret og anvendt under arbejdet.
23. Udskift det slidte bordindlæg!
24. Undgå overophedning af savtænderne.
25. Når der saves i kunststoffer, skal man undgå, at disse smelter. Brug de rigtige savklinger til dette. Udskift de beskadigede eller slidte savklinger rettidigt. Hvis savklingen overophedes, skal du stoppe maskinen. Lad savklingen køle af, før du genoptager arbejdet med elværktøjet.



Pas på: Laserstråling
Kig ikke ind i strålen
Laserklasse 2



Beskyt dig og dine omgivelser mod fare for uheld ved at træffe egnede sikkerhedsforanstaltninger!

- Kig ikke direkte ind i laserstrålen med ubeskyttede øjne.
- Kig aldrig direkte ind i strålen.
- Ret aldrig laserstrålen mod reflekterende overflader og personer eller dyr. Også en laserstråle med ringe ydelse kan føre til øjenskader.
- Vær forsigtig - udføres der procedurer, der afviger fra dem, der er angivet her, kan dette føre til en farlig strålingseksponering.
- Åbn aldrig lasermodulet. Dette kan føre til uventet stråleeksponering.
- Bruges enheden ikke i længere tid, bør batterierne fjernes.
- Laseren må ikke erstattes med en laser af en anden type.
- Laseren må kun repareres af laserproducenten eller af en autoriseret repræsentant.

Sikkerhedshenvisninger vedrørende håndtering af batterier

1. Vær altid opmærksom på, at batterierne sættes rigtigt i (+ - og - poler) iht. det, der er angivet på batteriet.
2. Kortslut ikke batterier.
3. Oplad ikke batterier, der ikke er egnet til genopladning.
4. Aflad ikke batteriet for meget!
5. Bland ikke gamle og nye batterier samt batterier af forskellig type eller fra forskellige producenter! Skift alle batterier fra en pool på samme tid.
6. Fjern omgående opbrugte batterier fra apparatet og bortskaf dem korrekt! Bortskaf aldrig batterierne med husholdningsaffaldet. Defekte eller brugte batterier skal genvindes iht. direktivet 2006/66/EF. Indlever batterier og/eller maskinen på genbrugsstationen. Kontakt kommunen for at få nærmere oplysninger om genbrugsstationer og indsamling af genbrug lokalt.
7. Opvarm ikke batterier!
8. Hverken svejs eller lod direkte på batterier!
9. Skil ikke batterier ad!
10. Deformer ikke batterier!
11. Kast ikke batterier i ilden!
12. Opbevar batterier uden for børns rækkevidde.
13. Børn skal være under opsyn, hvis de skifter batterier!
14. Opbevar ikke batterier i nærheden af ild, komfurer eller andre varmekilder. Udsæt ikke batteriet for direkte solstråler og opbevar det ikke i køretøjer, når det er varmt.
15. Opbevar ubrugte batterier i den originale emballage og hold dem væk fra metalgenstande. Bland ikke udpakke de batterier og flyt ikke rundt på dem! Dette kan føre til kortslutning på batteriet og dermed til beskadigelser, forbrændinger eller endda til fare for brand.
16. Tag batterier ud af apparatet, hvis dette ikke bruges i længere tid, medmindre det er til nødstilfælde!
17. Tag ALDRIG fat i batterier, der er løbet ud, uden passende beskyttelse. Kommer den udløbende væske i kontakt med huden, skal dette område af huden straks skylles under rindende vand. Forhind i hvert fald, at øjne og mund kommer i kontakt med væsken. Gå i dette tilfælde straks til læge.
18. Rengør batterikontakter og modkontakter i apparatet, før batterierne lægges i.

Restrisici

Elværktøjet er bygget efter nyeste tekniske niveau og de anerkendte sikkerhedstekniske regler. Alligevel kan der være tilbageværende risici under driften.

- Sundhedsfare som følge af strøm, hvis der bruges elektriske tilslutningsledninger, der ikke lever op til gældende regler.
- Desuden kan der være ikke-åbenbare tilbageværende risici, selv om alle foranstaltninger er truffet.
- Tilbageværende risici kan reduceres til et minimum, hvis "Sikkerhedsanvisningerne" og "Brug i overensstemmelse med formålet" samt betjeningsvejledningen overholdes.
- Undlad at belaste maskinen unødigt: Et for kraftigt tryk under savningen kan hurtigt beskadige savklingen, hvilket medfører en kapacitetsforringelse for maskinen under arbejdet og forringet skærenøjagtighed.

- Ved skæring af plastmateriale skal du altid bruge klemmer: De dele, der skal saves, skal altid fastgøres mellem klemmerne.
- Undgå utilsigtet igangsætning af maskinen: Når stikket sættes i stikkontakten, må Start-knappen ikke være trykket ind.
- Brug det værktøj, der anbefales i denne håndbog. Derved opnår du, at maskinen kører med optimal ydeevne.
- Hold hænderne væk fra arbejdsområdet, når maskinen er i drift.
- Før der gennemføres indstillings- eller vedligeholdelsesarbejde, skal man slippe starttasten og trække lysnetstikket ud.

7. Tekniske data

Vekselstrømsmotor	220 - 240 V ~ 50Hz
Nominal effekt S1	1200 Watt
Driftsfunktion	S6 25%* 1500W
Omdrejningstal i tomgang n_0	5000 min ⁻¹
Hårdmetalsavklinge	∅ 210 x ∅ 30 x 2,6 mm
Antal tænder	48
maks. tandbredde for savklingen	3 mm
Drejeområde	-45° / 0° / +45°
Geringssnit	0° til 45° til venstre
Savebredde ved 90°	120 x 60 mm
Savebredde ved 45°	80 x 60 mm
Savebredde ved 2 x 45° (dobbeltingeringssnit)	80 x 35 mm
Beskyttelsesklasse	II /
Vægt	ca. 7,6 kg
Laserklasse	2
Bølgelængde laser	650 nm
Effekt laser	< 1 mW

* Driftsform S6, uafbrudt, periodisk drift. Driften består af en starttid, en tid med konstant belastning og en tomgangstid. Spilvarigheden er 10 min, den relative driftstid er 25% af spilvarigheden.

Emnet skal som minimum have en højde på 3 mm og en bredde på 10 mm.

Sørg for, at emnet altid sikres med spændeanordningen.

Støj

Støjværdierne er bestemt i overensstemmelse med EN 62841.	
Lydtryksniveau L_{pA}	99,6 dB(A)
Usikkerhed K_{pA}	3 dB
Lydeffektniveau L_{WA}	112,6 dB(A)
Usikkerhed K_{WA}	3 dB

Brug høreværn.

Støjpåvirkning kan føre til høretab.

De angivne støjemissionsværdier er blevet målt iht. en standardiseret testproces og kan bruges til at sammenligne et elværktøj med et andet.

De angivne støjemissionsværdier kan også bruges til at gennemføre en indledende vurdering af belastningen.

Advarsel:

- Støjemissionsværdierne kan afvige fra den angivne værdi, når elværktøjet rent faktisk bruges, afhængigt af hvordan elværktøjet bruges, og af, hvilken type emne der bearbejdes.
- Forsøg at holde belastningen så lav som mulig. Eksempelvis ved at begrænse arbejdstiden. I denne forbindelse skal der tages højde for alle dele af driftscyklussen (f.eks. tider, hvor elværktøjet er slukket, og tider, hvor det godt nok er tændt, men hvor det kører uden belastning).

8. Før ibrugtagning

- Åbn emballagen, og tag forsigtigt maskinen ud.
- Fjern emballeringsmaterialet samt emballage-/transportsikringer (hvis sådanne findes).
- Kontrollér, om leveringsomfanget er fuldstændigt.
- Kontrollér maskinen og tilbehørsdelene for transportskader.
- Opbevar så vidt muligt emballagen frem til udløbet af garantiperioden.

OBS

Apparatet og emballeringsmaterialet er ikke legetøj! Børn må ikke lege med plastposer, folie og smådele! Fare for slugning og kvælning!

Sørg altid for, at maskinen står stabilt og sikkert f.eks. ved at fastgøre den til en arbejdsbænk.

- Maskinen skal opstilles stabilt. Maskinen skal sikres ved at skrue 4 skruer (medfølger ikke) gennem hullerne i det faste savbord (9) ind i en arbejdsbænk, et understel eller lign.
- Før maskinen tages i brug, skal alle skærme og sikkerhedsanordninger være monteret korrekt.
- Savklingen skal kunne køre frit.
- Ved forarbejdet træ skal man være opmærksom på fremmedlegemer som f.eks. søm eller skruer mv.
- Sørg for, at savklingen er monteret korrekt, og at bevægelige dele går ubesværet, inden du aktiverer Tænd/Sluk-kontakten.
- Kontrollér, at dataene på typeskiltet stemmer overens med lysnetdataene, før maskinen tilsluttes.

8.1 Montering af emnespænderen (fig. 2)

- Løsn låseskruen (19) og monter emnespænderen (15) til højre eller venstre på det faststående savbord.
- Spænd herefter låseskruen (19) igen.

8.2 Montering af underlagene til arbejdsemnet (fig. 2 - 3)

- Løsn låseskruen (14) og før underlaget til arbejdsemnet gennem den markerede boring på siden af det faststående savbord.
- Sørg for, at underlaget til arbejdsemnet (18) ligeledes føres gennem de to lasker på undersiden.
- Spænd herefter låseskruen (14) igen.
- Gentag dette arbejde på den anden side.

8.3 Montering af ståbøjlen (fig. 2 - 3)

- Løsn låseskruen (20) på undersiden af saven og før ståbøjlen (21) gennem de markerede boringer bag på saven.
- Spænd herefter låseskruen (20) igen.

8.4 Spånpose (fig. 4)

Saven er udstyret med en spånpose (17) til spåner.

- Pres støvposens metalringsfløje sammen, og anbring posen i udgangsåbningen i motorområdet.
- Spånposen (17) kan tømmes ved at åbne lynlåsen på undersiden.

Tilslutning af en ekstern støvudsugningsanordning

- Tilslut udsugningsslangen til støvudsugningen.
- Støvudsugningen skal være egnet til det materiale, der bearbejdes.
- Brug en speciel udsugningsanordning til udsugning af særligt sundhedsskadeligt eller kræftfremkaldende støv.

8.5 Kontrol af sikkerhedsanordningen bevægelig savklingebeskyttelse (5)

Savklingebeskyttelsen beskytter mod kontakt med savklingen og mod udslyngede spåner.

Kontrollér funktionen.

Dette gøres ved at klappe saven ned:

- Savklingebeskyttelsen skal frigive savklingen under nedvingningen, uden at berøre andre dele.
- Når saven klappes op i udgangsstilling, skal savklingebeskyttelsen automatisk tildække savklingen.

9. Opbygning og betjening

9.1 Opbygning kap- og geringssaven (fig. 1 - 3)

- Løsn drejebordet (13) ved at løsne låseskruen (7).
- Indstil drejebordet (13) med grebet (3) på den ønskede vinkel

BEMÆRK

Kapsaven kan drejes til venstre og højre via drejebordet. Ved hjælp af skalaen er der mulighed for præcis vinkelindstilling. Vinklerne 0° til 45° kan indstilles præcist og hurtigt via rasterindstillinger for hver 15°, 22,5°, 30°.

- Spænd låseskruen (7) igen for at fikse drejebordet.
- Med et let tryk nedad på maskinens overdel (4) og samtidig udtrækning af låsebolten (25) fra motorholderen frigøres saven fra nederste stilling.
- Sving maskinens overdel (4) op.
- Spændeanordningerne (15) kan både fastgøres til venstre og højre på det faste savbord (9). Sæt spændeanordningerne (15) i de dertil beregnede borer på bagsiden af anslagsskinne (8), og sikr dem med stjernegrebskruerne (19).
- Maskinens overdel (4) kan vippe til maks. 45° mod venstre ved at løsne låseskruen (23).
- Emnesupporterne (18) skal altid være monteret og anvendt under arbejdet.

9.2 Finjustering af anlaget til kapskæring 90° (fig. 5)

Anslagsvinkel medfølger ikke.

- Sænk overdelen (4), og fikser den med låsebolten (25).
- Løsn låseskruen (23).
- Anbring anslagsvinklen (a) mellem savklingen (6) og drejebordet (13).
- Løsn låsemøtrikken (26a).
- Juster justerskruen (26), til vinklen mellem savklingen (6) og drejebordet (13) er 90°.
- Spænd låsemøtrikken (26a) fast igen.

9.3 Kapskæring 90° og drejebord 0° (fig. 1/2/3/6)

Pas på! De forskydelige anslagsskinner (8a) skal til 90°-kapskæring fikses i den inderste position

- Åbn låseskruen (8b) på den forskydelige anslagsskinne (8a), og skub anslagsskinne (8a) indad.
- De forskydelige anslagsskinner (8a) skal fastlåses i en afstand til den inderste position, så afstanden mellem anslagsskinnerne (8a) og savklingen (6) er maks. 8 mm.
- Kontrollér før skæring, at der ikke er risiko for kollision mellem anslagsskinnerne (8a) og savklingen (6).
- Spænd låseskruerne (8b) til igen.
- Bring maskinens overdel (4) i øverste position.
- Læg det træ, der skal skæres, an mod anslagsskinne (8) og på drejebordet (13).
- Fasthold materialet med spændeanordningen (15) på det faste savbord (9) for at forhindre, at emnet forskyder sig under skæringen. Se pkt. 9.12.
- Løsn spærrekontakt (2), og tryk på Tænd/Sluk-knappen (1) for at starte motoren.
- Bevæg maskinens overdel (4) jævnt og med et let tryk nedad med håndtaget (3), til savklingen (6) har gennemskåret emnet.
- Efter afslutning af skæringen bringes overdelen igen i den øverste hvilestilling, og Tænd/Sluk-knappen (1) slippes.

Pas på!

Ved hjælp af retur fjederen slår maskinen automatisk ad. Slip ikke håndtaget (3) efter skæringen, men bevæg overdelen langsomt og med et let modtryk opad.

9.4 Kapskæring 90° og drejebord 0° - 45° (fig. 1/2/3/6)

Med kap- og geringssaven kan der foretages kapskæringer fra venstre og højre på 0°-45° i forhold til anslagsskinne.

Pas på!

Den forskydelige anslagsskinne (8a) skal til 90°-kapskæring fikses i den inderste position.

- Åbn låseskruen (8b) på den forskydelige anslagsskinne (8a), og skub anslagsskinne (8a) indad.
- Den forskydelige anslagsskinne (8a) skal stoppes så langt før den inderste position, at afstanden mellem anslagsskinne (8a) og savklingen (6) er mindst 8 mm.
- Kontrollér før skæring, at der ikke er risiko for kollision mellem anslagsskinne (8a) og savklingen (6).
- Spænd låseskruen (8b) igen.
- Løsn drejebordet (13) ved at løsne låseskruen (7).
- Indstil drejebordet (13) med grebet (3) på den ønskede vinkel
- Spænd låseskruen (7) igen for at fikse drejebordet.
- Udfør skæringen som beskrevet i punkt 9.3.

9.5 Finjustering af anlaget til geringsskæring 45° (fig. 1/2/3/6/7/8)

Anslagsvinkel medfølger ikke.

- Sænk overdelen (4), og fikser den med låsebolten (25).
- Fikser drejebordet (13) i 0°-stilling.
- Pas på! Venstre side af de forskydelige anslagsskinner (8a) skal fikses i den yderste position ved geringsskæring (hældet overdel).
- Løsn låseskruen (8b) på den forskydelige anslagsskinne (8a), og skub den forskydelige anslagsskinne (8a) udad.

- Den forskydelige anslagsskinne (8a) skal stoppes så langt før den inderste position, at afstanden mellem anslagsskinne (8a) og savklingen (6) er mindst 8 mm.
- Kontrollér før skæring, at der ikke er risiko for kollision mellem anslagsskinne (8a) og savklingen (6).
- Spænd låseskruen (8b) igen.
- Løsn låseskruen (23), og vip maskinens overdel (4) med håndtaget (3) til venstre, til 45°.
- Anbring 45°-anslagsvinkel (B) mellem savklingen (6) og drejebordet (13).
- Løsn låsemøtrikken (22a) og justerskruen (22), indtil vinklen mellem savklingen (6) og drejebordet (13) er nøjagtig 45°.
- Spænd låsemøtrikken (22a) fast igen.
- Kontrollér derefter vinkelviserens position. Om nødvendigt løsn markøren (28) med en stjerneskruetrækker og sættes på 45°-position på skalaen (27), og holdeskruen spændes fast igen.

9.6 Geringsskæring 0° - 45° og drejebord 0° (fig. 1/2/3/6)

Med kap- og geringssaven kan der foretages geringsskæring til venstre på 0° - 45° i forhold til arbejdsfladen.

Pas på!

Venstre side af de forskydelige anslagsskinner (8a) skal fikseres i den yderste position ved geringsskæring (hældet overdel).

Pas på!

Ved geringsskæring 0° - 45° skal spændeanordningen (emnespænderen) (15) kun monteres i højre side.

- Løsn låseskruen (8b) på den forskydelige anslagsskinne (8a), og skub den forskydelige anslagsskinne (8a) udad.
- Den forskydelige anslagsskinne (8a) skal stoppes så langt før den inderste position, at afstanden mellem anslagsskinne (8a) og savklingen (6) er mindst 8 mm.
- Kontrollér før skæring, at der ikke er risiko for kollision mellem anslagsskinne (8a) og savklingen (6).
- Spænd låseskruen (8b) igen.
- Bring maskinens overdel (4) i den øverste stilling.
- Fikser drejebordet (13) i 0°-stilling.
- Løsn låseskruen (23), og vip overdelen (4) mod venstre med håndtaget (3), til viseren (28) peger på det ønskede vinkel mål på skalaen (27).
- Spænd låseskruen (23) igen.
- Gennemfør skæringen som beskrevet i punkt 9.3.

9.7 Geringsskæring 0° - 45° og drejebord 0° - 45° (fig. 1/2/3/6)

Med kap- og geringssaven kan der foretages geringsskæringer mod venstre på 0° - 45° i forhold til arbejdsfladen og samtidigt på 0° - 45° i forhold til anslagsskinne (dobbeltgeringskæring).

Pas på!

Venstre side af de forskydelige anslagsskinner (8a) skal fikseres i den yderste position ved geringsskæring (hældet overdel).

Pas på!

Ved geringsskæring 0° - 45° skal spændeanordningen (emnespænderen) (15) kun monteres i højre side.

- Løsn låseskruen (8b) på den forskydelige anslagsskinne (8a), og skub den forskydelige anslagsskinne (8a) udad.
- Den forskydelige anslagsskinne (8a) skal stoppes så langt før den inderste position, at afstanden mellem anslagsskinne (8a) og savklingen (6) er mindst 8 mm.
- Kontrollér før skæring, at der ikke er risiko for kollision mellem anslagsskinne (8a) og savklingen (6).
- Spænd låseskruen (8b) igen.
- Bring maskinens overdel (4) i den øverste stilling.
- Løsn drejebordet (13) ved at løsne låseskruen (7).
- Indstil drejebordet (13) med grebet (3) på den ønskede vinkel.
- Spænd låseskruen (7) igen for at fiksere drejebordet.
- Løsn låseskruen (23).
- Vip med håndtaget (3) overdelen (4) mod venstre til det ønskede vinkel mål (se også punkt 9.6).
- Spænd låseskruen (23) igen.
- Udfør skæringen som beskrevet i punkt 9.3.

9.8 Udskiftning af savklinge (fig. 1/2/3/9/10)

Træk netstikket ud!

Pas på!

Brug beskyttelsehandsker ved udskiftning af savklingen! Fare for tilskadecomst!

- Drej maskinens overdel (4) op, og fastlås den med låsebolten (25).
- Klap savklingebeskyttelsen (5) så langt op, at den (5) befinder sig over flangeskruen (29).
- Sæt med den ene hånd unbrakonøglen (C) på flangeskruen (29).
- Hold fast i unbrakonøglen (C), og luk langsomt savklingebeskyttelsen (5), til denne er ved unbrakonøglen (C).
- Tryk savakselspærningen (32) fast, og drej langsomt flangeskruen (29) i urets retning. Efter maks. én omdrejning går savakselspærningen (32) i indgreb.
- Løsn nu flangeskruen (29) ved at dreje den i urets retning med mere kraft.
- Skru flangeskruen (29) helt ud, og tag yderflangen (30) af.
- Tag savklingen (6) af inderflangen, og træk den ned og ud.
- Rengør flangeskruen (29), yderflangen (30) og inderflangen omhyggeligt.
- Indsæt den nye savklinge (6) igen i omvendt rækkefølge, og spænd det fast.
- Pas på! Tændernes skrå retning, dvs. savklingens omløbsretning (6), skal stemme overens med retningen af pilen på huset.
- Før det videre arbejde skal det kontrolleres, at sikkerhedsanordningerne fungerer korrekt.
- Pas på! Efter hver udskiftning af savklingen skal det kontrolleres, om savklingen (6) er vipet i lodret stilling og til 45°, og at den kører frit i bordindlægget (10).

Pas på!

Udskiftning og justering af savklingen (6) skal udføres korrekt.

9.9 Udskiftning af laserbatterier (fig. 11)

- Fjern batteriadækningen (34). Tag de 2 batterier ud.
- Erstat begge batterier med den samme eller lignende type. Husk at sætte dem ind i samme polretning som de brugte batterier.
- Luk batteridækslet.

9.10 Tænd / sluk for laseren (fig. 11)

Tænding:

Flyt tænd-/sluk-knappen (33) laser til stilling "I". Der projiceres en laserlinje på det emne, der skal bearbejdes, og denne linje viser den nøjagtige skærelinje.

Slukning:

Flyt tænd-/sluk-knappen laser til stilling "O".

9.11 Justering af laseren (fig. 12)

Hvis laseren (35) ophører med at indikere den korrekte skærelinjen, kan man justere laseren. For at gøre dette, skal du åbne skrue (36) og indstille laseren ved at flytte sidelæns, at laserstrålen rammer tænderne på savklingens (6).

9.12 Betjening af emnespænderen (fig. 1, 2)

Ved hjælp af låseskruen (16) kan emnespænderen (15) indstilles i højden.

- Sænk emnespænderen ned på emnet.
- Spænd låseskruen (16) igen.
- Drej klemmegrebet (24) i urets retning for at spænde emnet.
- Man løsner emnet ved at gå frem i omvendt rækkefølge.

10. Transport (fig. 13)

- Spænd håndtaget (7) for at låse drejebordet (13).
- Pres overdelen (4) ned, og fastlås den med låsebolten (25). Saven er nu låst i den nederste stilling.
- Bær maskinen i håndtaget (37).
- Ny opstilling af maskinen sker som beskrevet i kapitel 8 - 9.

11. Vedligeholdelse

⚠ Advarsel!

Træk lysnetstikket ud, før der foretages indstillings-, vedligeholdelses- eller reparationsarbejde!

Generelle vedligeholdelsesforanstaltninger

Fra tid til anden skal man tørre spåner og støv af maskinen. For at forlænge værktøjets levetid bør man smøre de roterende dele en gang om måneden. Undlad at smøre motoren. Undgå brug af ætsende midler til rengøring af kunststoffet.

Rengøring af sikkerhedsanordningen bevægelig savklingebeskyttelse (5)

Inden hver ibrugtagning skal man kontrollere savklingebeskyttelsen for forurening.

Fjern gamle savspåner og træsplinter ved hjælp af en børste eller et tilsvarende egnet værktøj.

Skift bordindlæg (fig. 14)

Fare!

Er bordindlægget (10) beskadiget, risikerer man, at mindre genstande kan klemme sig fast mellem bordindlægget og savklingen og blokere sidstnævnte.

Udskift da straks de beskadigede bordindlæg!

1. Skru skrue (E) ud af bordindlægget.
2. Fjern bordindlægget.
3. Indsæt nyt bordindlæg.
4. Spænd skrue (E) i bordindlægget fast.

Børsteinspektion

Kontrollér kulbørsterne på en ny maskine efter de første 50 driftstimer, eller hver gang der er monteret nye børster. Efter den første kontrol skal kontrollen gentages for hver 10 driftstimer.

Hvis kulstoffet er slidt over en længde på 6 mm, fjederen eller shuntråden er brændt eller beskadiget, skal begge børster udskiftes. Hvis man efter at have afmonteret børsterne konstaterer, at de er gode nok, kan de genmonteres.

Man vedligeholder kulbørsterne ved at dreje de to låsemekanismer (som vist i fig. 15) imod urets retning. Fjern herefter kulbørsterne.

Sæt kulbørsterne ind igen i omvendt rækkefølge.

Serviceinformationer

Vær opmærksom på, at følgende dele på dette produkt slides som følge af brug eller naturligt slid, og at der er brug for følgende dele som forbrugsmaterialer.

Sliddele*: kulbørster, savklinge, bordindlæg, savspånsamlingsposer

* følger ikke nødvendigvis med leverancen!

12. Opbevaring

Enheden og dennes tilbehør skal opbevares mærkt, tørt og frostsikkert og utilgængeligt for børn. Den optimale opbevaringstemperatur er mellem 5 og 30°C.

Opbevar elværktøjet i den originale emballage.

Tildæk elværktøjet for at beskytte det mod støv eller fugt.

Opbevar brugsanvisningen sammen med elværktøjet.

13. El-tilslutning

Den installerede elmotor er tilsluttet, så den er driftsklar. Tilslutningen opfylder de relevante VDE- og DIN-bestemmelser. Nettilslutningen hos kunden samt den anvendte forlængerledning skal opfylde disse forskrifter.

Vigtige anvisninger

Hvis motoren overbelastes, slår den fra af sig selv. Efter en afkølingsfase (varierer tidsmæssigt), kan motoren tændes igen.

Defekt elektrisk tilslutningsledning

Der opstår ofte isoleringsskader på elektriske tilslutningsledninger. Årsagerne hertil kan være:

- Tryksteder, når tilslutningsledninger trækkes gennem vinduer eller døråbninger.
- Knæksteder, når tilslutningsledning fastgøres eller trækkes forkert.
- Skæresteder, når tilslutningsledningen køres over.
- Isolationsskader, når stikket trækkes ud af stikkontakten på væggen.
- Revner pga. ældning af isoleringen.

Sådanne defekte elektriske tilslutningsledninger må ikke anvendes og er livsfarlige pga. isoleringskaderne.

Elektriske tilslutningsledninger skal kontrolleres for skader med jævne mellemrum. Sørg for, at tilslutningsledningen ikke hænger i lysnettet, når den kontrolleres.

Elektriske tilslutningsledninger skal opfylde de relevante VDE- og DIN-bestemmelser. Der må kun anvendes tilslutningsledninger med mærkningen "H05VV-F".

Påtryk af typebetegnelsen på tilslutningskablet er et krav.

Sikkerhedsforskrifter for udskiftning af beskadigede eller defekte nettilslutningsledninger

Type X:

Hvis nettilslutningsledningen til denne maskine bliver beskadiget, skal den erstattes af en særlig tilslutningsledning, der fås hos producenten eller dennes kundeservice.

AC motor:

Netspændingen skal være 220 - 240 V~.

- Forlængerledninger op til en længde på 25 m skal have et tværsnit på 1,5 kvadratmillimeter.
- Tilslutning og reparation af elektrisk udstyr må kun forestås af autoriserede elektrikere.

Ved forespørgsler bedes følgende data opgives:

- Motorens strømtype
- Dataene på motorens typeskilt

14. Bortskaffelse og genbrug

Enheden er emballeret for at forhindre transportskader. Denne emballage er råmateriale og kan dermed genanvendes eller kan returneres til råmateriale-kredsløbet.

Enheden og dens tilbehør er fremstillet af forskellige materialer som f.eks. metal og plast. Defekte komponenter skal bortskaffes som specialaffald. Spørg i specialbutikken eller i hos kommunen!



Emballagen består af miljøvenlige materialer, der kan bortskaffes på lokale genbrugsstationer.

Informationer om muligheder for bortskaffelse af gamle apparater fås ved henvendelse til kommunen.

Gamle apparater må ikke smides ud sammen med det almindelige husholdningsaffald!



Dette symbol gør opmærksom på, at dette produkt ikke må smides ud sammen med det almindelige husholdningsaffald iht. WEEE-direktiv (2012/19/EU) og nationale love. Dette produkt skal afleveres til udvalgte samlesteder. Dette kan ske f.eks. ved at returnere det i forbindelse med køb af et lignende produkt eller ved at aflevere det på en autoriseret genbrugsstation, hvor gamle elektriske og elektroniske apparater genbruges. Forkert håndtering af gamle apparater kan have negative følger for miljøet og menneskers sundhed, fordi disse evt. er fremstillet af farlige stoffer, der ofte findes i gamle elektriske og elektroniske apparater. Den korrekte bortskaffelse af produktet bidrager desuden til en effektiv udnyttelse af naturlige ressourcer. Informationer om samlesteder for gamle apparater fås ved henvendelse til kommunen, de offentlige organer til bortskaffelse af affald, et autoriseret sted til bortskaffelse af gamle elektriske og elektroniske apparater eller renovationen.

Batterier og akkuer må ikke smides ud sammen med det almindelige husholdningsaffald!



Som forbruger er du iht. loven forpligtet til at aflevere alle batterier og akkuer, uafhængigt af om de indeholder skadelige stoffer* eller ej, til et samlested i din kommune/dit kvarter eller i handlen, så de bortskaffes miljøvenligt.

* mærket med: Cd = cadmium, Hg = kviksølv, Pb = bly

Tag batterierne ud af laseren, før apparatet og batterierne bortskaffes.

15. Afhjælpning af fejl

Fejl	Mulig årsag	Afhjælpning
Motor fungerer ikke	Motor, kabel eller stik defekt, lysnetsikringer sprunget.	Få maskinen kontrolleret af en fagmand. Du må aldrig selv reparere motoren. Fare! Kontrollér lysnetsikringerne, og udskift dem efter behov
Motoren starter langsomt og når ikke op på driftshastighed.	Spænding for lav, viklinger beskadiget, kondensator brændt sammen.	Få spændingen kontrolleret af elværket. Få motoren kontrolleret af en fagmand. Få kondensatoren udskiftet af en fagmand.
Motor støjer for meget.	Viklinger beskadiget, motor defekt.	Få motoren kontrolleret af en fagmand.
Motor når ikke op på fuld hastighed.	Strømkredse i lysnetanlægget overbelastet (lamper, andre motorer mv.).	Undlad at tilslutte andre enheder eller motorer til samme strømkreds.
Motor bliver let overophedet.	Overbelastning af motor, utilstrækkelig køling af motor.	Undgå, at motoren overbelastes under skæringen, fjern støv fra motoren, så der sikres optimal køling af motoren.
Skæringen er ru eller bølget.	Savklinge uskarp, tandform ikke egnet til materialetykkelsen.	Opslib savklingen, eller benyt egnet savklinge.
Emne rives op eller splintrer.	Skæringstryk for højt, eller savklinge ikke egnet til formålet.	Benyt egnet savklinge.

16. Garantibevis

Kære kunde,

Alle vores produkter gennemgår strenge kvalitetskontrol for at sikre, at de når dig i perfekt stand. I det usandsynlige tilfælde, at enheden udvikler en fejl, bedes du kontakte vores serviceafdeling på den adresse, der vises på dette garantibevis. Selvfølgelig, hvis du foretrækker at ringe til os så er vi også glade for at tilbyde vores bistand under servicenummer trykt nedenfor. Bemærk følgende betingelser, som garantikrav kan gøres:

- Disse garanti vilkår omfatte yderligere garanti rettigheder og påvirker ikke dine lovbestemte rettigheder for garanti. Vi vil ikke debitere dig for denne garanti.
- Vores garanti dækker kun problemer forårsaget af materiale- eller produktionsfejl, og det er begrænset til afhjælpning af disse mangler eller udskiftning af enheden. Bemærk, at vores enheder ikke er designet til brug i kommercielle, handel eller industrielle applikationer. Derfor er garantien ugyldig, hvis udstyret bruges i kommerciel, handel eller industrielle applikationer eller for andre tilsvarende aktiviteter. Følgende er også udelukket fra vores garanti: kompensation for transportskader, skader forårsaget af manglende overholdelse af installations- / monteringsvejledning eller skader forårsaget af uprofessionel installation, manglende overholdelse brugsanvisningen (f.eks tilslutning til den forkerte netspænding eller strøm type), misbrug eller uhensigtsmæssig brug (såsom overbelastning af apparatet eller brug af ikke-godkendte værktøj eller tilbehør), manglende overholdelse af vedligeholdelses- og sikkerhedsforskrifter, indtrængen af fremmedlegemer i apparatet (f.eks sand, sten eller støv) , virkninger af vold eller ydre påvirkninger (f.eks skader forårsaget af enheden bliver droppet) og normal slitage som følge af korrekt funktion af apparatet.

Garantien erklæres ugyldig, hvis der gøres forsøg på at manipulere med enheden.

- Garantien er gyldig i en periode på 3 år fra købsdatoen af enheden. Garantikrav skal indsendes inden udløbet af perioden garanti senest to uger efter defekten blive bemærket. Ingen garantikrav vil blive accepteret efter udløbet af garantiperioden. Den oprindelige garantiperiode fortsat anvendelse til enheden, selvom reparationer udføres eller dele udskiftes. I sådanne tilfælde, det udførte arbejde eller dele monteret vil ikke resultere i en forlængelse af garantiperioden, og ingen ny garanti bliver aktiv for det udførte eller dele monteret arbejde. Dette gælder også, når der anvendes en tjeneste på stedet.
- For at du kan gøre dit garantikrav gældende, bedes du kontakte nedenstående serviceadresse. Hvis reklamationen ligger inden for garantiperioden, vil vi fremsende dig en returmærkat, med hvilken du gratis kan returnere dit defekte apparat til os. Det ville hjælpe os, hvis du kunne beskrive karakteren af problemet så detaljeret som muligt. Hvis fejlen er dækket af vores garanti så din enhed vil enten blive repareret med det samme og returneret til dig, eller vi vil sende dig en ny enhed.

Selvfølgelig er vi også glade tilbyde en afgiftsudløsende reparationservice for eventuelle mangler, der ikke er omfattet af anvendelsesområdet for denne garanti eller til enheder, som ikke længere er dækket. At drage fordel af denne service, skal du sende enheden til vores service-adresse.

Tjeneste-Hotline (DK):

00800 4003 4003
(0,00 €/Min.)

Tjeneste-mail (DK):

service.DK@schepach.com

Tjeneste Adresse (DK):

Sotek
Charlottevej 30 E
DK - 4270 Hong



På www.lidl-service.com kan du downloade disse og mange flere manualer, produktvideoer og installationssoftware.

Med QR-koden kan du få direkte adgang til Lidl-service-siden (www.lidl-service.com) og åbne din betjeningsvejledning ved at indtaste artikelnummeret (IAN) 373880_2104.

1.	Légende des symboles figurant sur l'appareil.....	30
2.	Introduction.....	31
3.	Description de la machine (il. 1-13).....	31
4.	Ensemble de livraison.....	32
5.	Utilisation conforme.....	32
6.	Consignes de sécurité.....	32
7.	Caractéristiques techniques.....	36
8.	Avant la mise en service.....	37
9.	Montage et utilisation.....	37
10.	Transport (il. 13).....	40
11.	Maintenance.....	40
12.	Stockage.....	40
13.	Raccordement électrique.....	40
14.	Mise au rebut et recyclage.....	41
15.	Dépannage.....	42
16.	Certificat de garantie.....	43
17.	Vue éclatée.....	90
18.	Déclaration de conformité.....	91

1. Légende des symboles figurant sur l'appareil



FR BE

Avant la mise en service, lisez le manuel d'utilisation et les consignes de sécurité, et respectez-les!



FR BE

Portez des lunettes de protection!



FR BE

Portez une protection auditive!



FR BE

Portez un masque anti-poussière!



FR BE

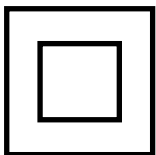
Attention! Risque de blessure! Ne mettez pas vos doigts sur la lame en rotation!



Achtung! - Laserstrahlung
Nicht in den Strahl blicken!
Laser Klasse 2
Laserspezifikation nach EN 60825-1:2014
λ = 650 nm P_e < 1 mW

FR BE

Attention! Rayonnement Laser



FR BE

Classe de protection II (double isolation)

2. Introduction

Fabricant: scheppach

Fabrikation von Holzbearbeitungsmaschinen GmbH
Günzburger Straße 69
D-89335 Ichenhausen

Chers clients,

Nous vous souhaitons beaucoup de plaisir et de succès lors de l'utilisation de votre nouvel appareil.

Remarque:

Selon la loi en vigueur sur la responsabilité du fait des produits, le fabricant n'est pas tenu responsable pour tous les dommages à cet appareil ou pour tous les dommages survenant lors de l'utilisation de cet appareil, dans les cas suivants :

- Mauvaise manipulation,
- Non-respect des instructions d'utilisation,
- Travaux de réparation effectués par des tiers, par des spécialistes non agréés,
- Remplacement et installation de pièces de rechange qui ne sont pas d'origine,
- Utilisation non conforme,
- Lors d'une défaillance du système électrique en cas de non-conformité avec les réglementations électriques et les normes VDE 0100, DIN 57113 / VDE0113.

Nous vous conseillons :

De lire intégralement le manuel d'utilisation, avant d'effectuer le montage et la mise en service.

Le présent manuel d'utilisation vous facilitera la prise en main et la connaissance de la machine, tout en vous permettant d'en utiliser pleinement le potentiel dans le cadre d'une utilisation conforme.

Les instructions importantes qu'il contient vous apprendront comment travailler avec la machine de manière sûre, rationnelle et économique ; comment éviter les dangers, réduire les coûts de réparation et réduire les périodes d'indisponibilité ; comment enfin augmenter la fiabilité et la durée de vie de la machine.

En plus des consignes de sécurité contenues dans ce manuel d'utilisation, vous devez respecter scrupuleusement les réglementations et les lois applicables lors de l'utilisation de la machine dans votre pays.

Conservez le manuel d'utilisation dans une pochette plastique pour le protéger de la saleté et de l'humidité, auprès de la machine. Avant de commencer à travailler avec la machine, chaque utilisateur doit lire le manuel d'utilisation puis le suivre attentivement.

Seules les personnes formées à l'utilisation de la machine et conscientes des risques associés sont autorisées à travailler avec la machine. L'âge minimum requis doit être respecté.

En plus des consignes de sécurité contenus dans cette notice et de la réglementation en vigueur dans votre pays, vous devez respecter les règles de sécurité généralement reconnues et applicables à des machines comparables.

Nous n'assumons aucune responsabilité concernant les accidents et dommages qui surviendraient à la suite du non-respect des instructions du manuel d'utilisation et des consignes de sécurité.

3. Description de la machine (il. 1-13)

1. Interrupteur Marche /Arrêt
 2. Interrupteur de blocage
 3. Poignée
 4. Tête de la machine
 5. Protecteur de lame mobile
 6. Lame
 7. Vis d'arrêt du plateau tournant
 8. Rail de la butée
 - 8a. Butée mobile
 - 8b. Vis de blocage
 9. Table fixe
 10. Insert de table
 11. Graduation
 12. Pointeur
 13. Plateau tournant
 14. Vis d'arrêt du support de pièce rétractable
 15. Presseur (dispositif de serrage des pièces)
 16. Vis de blocage
 17. Sac collecteur
 18. Support de pièce rétractable
 19. Vis de blocage du presseur
 20. Vis de blocage du étrier anti-basculement
 21. Étrier de support
 22. Vis de réglage (45°)
 - 22a. Écrou d'arrêt vis de réglage (45°)
 23. Vis de fixation
 24. Poignée de serrage
 25. Arrêt de sécurité
 26. Vis de réglage (90°)
 - 26a. Écrou d'arrêt vis de réglage (90°)
 27. Graduation
 28. Pointeur
 29. Vis de bride
 30. Bride extérieure
 31. Étrier de guidage
 32. Blocage de l'arbre d'entraînement
 33. Interrupteur Marche/Arrêt du laser
 34. Couvercle de la batterie
 35. Laser
 36. Vis (laser)
 37. Poignée de transport
- (A) Équerre à 90° (non comprise dans la livraison)
(B) Équerre à 45° (non comprise dans la livraison)
(C) Clé Allen, 6 mm
(D) Clé Allen, 3 mm
(E) Vis cruciforme (plateau de table)

4. Ensemble de livraison

- Scie à onglet
- Sac de copeaux
- Dispositif de serrage des pièces
- Clé allen de 6 mm (C)
- Clé allen de 3 mm (D)
- 2 supports de pièce Standbügel
- 2 Balais de charbon
- 2 piles (AAA)
- Notice d'utilisation

5. Utilisation conforme

La scie à onglet et radiale sert à découper le bois et le plastique selon la taille de la machine. La scie ne convient pas pour scier du bois de chauffage.

Avertissement!

N'utilisez pas la machine pour couper d'autres matériaux que ceux spécifiés dans le manuel d'utilisation.

Avertissement!

La lame de scie fournie a pour unique vocation de scier le bois! N'utilisez pas cette lame pour scier du bois de chauffage!

La machine doit exclusivement être utilisée conformément à son affectation. Toute utilisation allant au-delà de cette affectation est considérée comme non conforme. Pour les dommages en résultant ou les blessures en tout genre, le fabricant décline toute responsabilité et l'utilisateur est seul responsable.

Seules des lames de scie adaptées à la machine peuvent être utilisées. Il est interdit d'utiliser des disques à tronçonner.

Une utilisation conforme consiste à respecter les consignes de sécurité, ainsi que les instructions de montage et les consignes d'utilisation du manuel d'utilisation.

Les personnes utilisant la machine et en assurant la maintenance doivent bien la connaître et avoir été informées des dangers encourus.

En outre, les consignes de prévention des accidents doivent être respectées de la manière la plus scrupuleuse possible.

Toutes les autres règles édictées par la médecine du travail et les consignes de sécurité générales doivent être respectées.

Toute modification de la machine annule toute responsabilité du fabricant quant aux dommages en résultant.

Une utilisation conforme ne permet pas d'exclure totalement certains risques résiduels. De par la construction et la structure de la machine, les accidents suivants peuvent se produire :

- Contact avec la lame de scie dans la zone de sciage non protégée.
- Contact avec la lame de scie en cours de fonctionnement (blessure par coupure).
- Mouvement de recul des pièces et chutes.
- Cassure de la lame de scie.
- Projection d'éléments de métal dur défaillants de la lame de scie.
- Perte d'audition en cas de non utilisation d'une protection auditive qui est impérativement nécessaire.
- Émissions de sciure de bois nocives pour la santé lors d'une utilisation en espace clos.

Veillez au fait que nos appareils n'ont pas été conçus pour être utilisés dans un environnement professionnel, industriel ou artisanal. Nous déclinons toute responsabilité si l'appareil venait à être utilisé professionnellement, artisanalement ou par des sociétés industrielles, ainsi que pour toute activité équivalente.

6. Consignes de sécurité

Consignes de sécurité générales relatives aux outils électriques

⚠ AVERTISSEMENT! Lisez et consultez toutes les consignes de sécurité, conseils, photos descriptives et caractéristiques concernant cette machine. Le non-respect des consignes et des instructions de sécurité peut provoquer un choc électrique, un incendie et/ou des blessures graves.

Conservez toutes les consignes de sécurité ainsi que les instructions d'utilisation pour le futur.

Le terme d'« outil électrique » utilisé dans les consignes de sécurité désigne les outils électriques sur secteur (avec câble secteur) et les outils électriques sur batterie (sans câble secteur).

1. Sécurité au poste de travail

- Maintenez votre poste de travail propre et bien éclairé.** Le désordre et les lieux de travail peu éclairés peuvent être à l'origine d'accidents.
- N'utilisez pas l'outil électrique dans des atmosphères explosibles en présence de liquides inflammables, de gaz ou de poussière.** Les outils électriques génèrent des étincelles qui peuvent enflammer la poussière ou les vapeurs.
- Tenez les enfants et autres personnes loin de l'outil pendant son fonctionnement.** Vous pouvez perdre le contrôle de l'outil si vous êtes distrait.

2. Sécurité électrique

- La fiche de l'outil doit s'insérer correctement dans la prise de courant.** Ne modifiez la fiche d'aucune façon. N'utilisez pas d'adaptateur de prise de courant pour les outils mis à la terre. Les fiches non modifiées ainsi que les prises conformes réduisent le risque de choc électrique.
- Évitez tout contact corporel avec les surfaces mises à la terre tels que tuyaux, radiateurs, fours et réfrigérateurs. Il y a un risque accru de choc électrique si votre corps est mis à la terre.**
- Maintenez tous les outils électriques à l'abri de la pluie ou de l'humidité.** Toute pénétration d'eau dans un outil électrique augmente le risque de choc électrique.
- Ne pas utiliser le câble de raccordement pour transporter ou suspendre l'outil électrique, ni pour débrancher le connecteur de la prise de courant.** Maintenir le câble de raccordement à l'abri de la chaleur, de l'huile, des arêtes coupantes ou des pièces mobiles. Des câbles de raccordement endommagés ou emmêlés augmentent le risque de choc électrique.

- e) **Si l'outil électrique est utilisé à l'extérieur, n'utiliser que des rallonges autorisées pour l'extérieur.** Le recours à une rallonge convenant à l'extérieur réduit le risque de choc électrique.
- f) **Si l'utilisation d'un outil électrique dans un environnement humide ne peut être évité, vous devez utiliser un disjoncteur différentiel.** L'utilisation d'un disjoncteur différentiel permettra de réduire le risque de choc électrique.

3. Sécurité des personnes

- a) **Faites attention à ce que vous faites et utilisez les outils électriques de façon appropriée. N'utilisez pas les outils électriques lorsque vous êtes fatigué ou sous l'influence de drogues, d'alcool ou de médicaments.** Un seul moment d'inattention pendant l'utilisation d'outils électriques peut entraîner des blessures graves..
- b) **Portez un équipement de sécurité et des lunettes de protection.** Portez un équipement de protection individuelle, comme un masque anti-poussière, des chaussures de sécurité antidérapantes, un casque de protection ou une protection auditive, choisissez les protections adaptées au type et à l'utilisation de l'outil pour réduire le risque de blessures.
- c) **Faites attention à ne pas mettre l'outil en route par inadvertance. Assurez-vous que l'outil est hors tension avant de le connecter au réseau ou d'insérer une batterie, avant de le saisir ou de le porter.** Si vous avez votre doigt sur l'interrupteur lorsque vous transportez l'outil ou si la machine est en marche lorsque vous la connectez au réseau, il y a risque d'accident.
- d) **Avant d'activer l'outil électrique, retirer les outils de réglage ou clés.** Tout outil ou clé se trouvant dans une pièce rotative de l'outil électrique peut entraîner des blessures.
- e) **Évitez les postures anormales. Tenez-vous correctement et faites attention à votre équilibre.** Ainsi, vous pourrez réagir plus facilement en présence de situations inattendues pendant l'utilisation de l'outil.
- f) **Porter des vêtements adaptés. Ne pas porter de vêtements amples ou de bijoux. Maintenir les cheveux et vêtements à bonne distance des pièces mobiles.** Les vêtements amples, bijoux ou cheveux longs risquent d'être happés par les pièces mobiles.
- g) **Si un dispositif d'aspiration de poussière ou un sac collecteur peuvent être fixés à l'outil, vous devez vous assurer qu'il sont bien et correctement utilisés.** L'utilisation d'un dispositif d'aspiration de poussière peut réduire les risques dus à l'inhalation de poussière.
- h) **Ne vous considérez jamais en sécurité et ne vous surestimez pas en négligeant les règles de sécurité applicables lors de l'utilisation d'outils électriques, même si vous avez une grande habitude d'utilisation de cet outil électrique.** Une négligence lors de l'utilisation de cet outil peut être à l'origine de graves blessures.

4. Utilisation et entretien de l'outil électrique

- a) **Ne pas surcharger l'outil électrique.** Utiliser l'outil électrique qui convient au travail à réaliser. L'outil électrique adapté fonctionne en effet de manière plus satisfaisante et plus sûre dans la plage de puissance indiquée.
- b) **N'utilisez pas les outils électriques qui ont des interrupteurs défectueux. Les outils électriques qui ne peuvent pas être mis en marche ou arrêtés sont dangereux et doivent être réparés.**
- c) **Débranchez l'outil ou retirez la batterie avant d'effectuer des réglages, de remplacer des pièces ou de le ranger.** Ces mesures de précaution éviteront de faire démarrer l'outil involontairement.
- d) **Conservez l'outil hors de portée des enfants.** Ne laissez aucune personne non familiarisée à l'utilisation de cette machine ou n'ayant pas lu ces instructions, utiliser cet outil électrique. Les outils électriques sont dangereux lorsqu'ils sont utilisés par des personnes non expérimentées.
- e) **Entretenez votre outil électrique et sa lame avec précaution.** Vérifiez l'état des éléments mobiles pour assurer un fonctionnement optimal de l'outil. Vérifiez si certaines pièces sont endommagées au point de rendre l'outil inutilisable. Faites réparer les pièces endommagées avant d'utiliser l'outil. De nombreux accidents sont causés par des outils électriques mal entretenus.
- f) **Maintenez vos outils affûtés et propres. Des outils soigneusement entretenus avec des tranchants affûtés sont moins sujets au grippage et sont plus faciles à guider.**
- g) **Utilisez les outils électriques, les pièces détachées etc., en conformité avec ces instructions.** Prenez en compte les conditions de travail et les travaux à effectuer. L'utilisation d'outils électriques pour des applications autres que celles auxquelles ils sont destinés, peut provoquer des situations dangereuses.
- h) **Veillez à ce que les poignées et surfaces de préhension restent sèches, propres et nettes d'huile ou de graisse.** Les poignées et surfaces de préhension glissantes ne permettent pas d'utiliser et de contrôler correctement l'outil électrique dans les situations inattendues.

5. Entretien

- a) **Faites réparer votre outil exclusivement par des réparateurs qualifiés et utilisez toujours des pièces de rechange d'origine pour les réparations.** Ceci permet d'être certain que l'outil conserve ses qualités en matière de sécurité d'utilisation.

Avertissement!

Pendant son fonctionnement, cet outil électrique génère un champ électromagnétique. Ce champ peut dans certaines circonstances nuire aux implants médicaux actifs ou passifs. Pour réduire les risques de blessures graves voire mortelles, nous recommandons aux personnes porteuses d'implants médicaux de consulter leur médecin, ainsi que le fabricant de leur implant avant d'utiliser l'outil électrique.

Instructions de sécurité pour les scies à onglets

- a) **Les scies à onglets sont destinées à couper le bois ou des produits assimilés et ne peuvent pas être utilisées avec un disque à tronçonner pour la coupe de matériaux ferreux tels que des barres, tiges, boulons, etc.** La poussière abrasive provoque le grippage des pièces mobiles telles que le protecteur de lame. Les étincelles générées par une coupe abrasive provoquent l'inflammation du protecteur de lame, de l'insert de table et des autres éléments en plastique.
- b) **Utilisez dans la mesure du possible des presseurs pour maintenir la pièce. Lors du maintien de la pièce à la main, il faut toujours placer la main à une distance d'au moins 100 mm de chaque côté de la lame de scie. N'utilisez pas cette scie pour couper des pièces qui sont trop petites pour pouvoir être maintenues en toute sécurité ou tenues à la main.** Une main placée trop près de la lame de scie augmente le risque de blessure par contact avec la lame.
- c) **La pièce doit être fixe et serrée ou maintenue contre le guide et la table. Ne faites jamais avancer la pièce vers la lame ou sciez jamais "à main levée".** Des pièces non maintenues ou mobiles peuvent être éjectées à des vitesses élevées et provoquer de ce fait des blessures.
- d) **Sciez la pièce en exerçant une pression sur la scie. Ne sciez pas la pièce en exerçant une traction sur la scie. Pour effectuer une coupe, levez la tête de scie et placez-la au-dessus de la pièce sans la couper, lancez le moteur, appuyez sur la tête de la scie et sciez la pièce en exerçant une pression sur la tête de la scie.** Une opération de coupe tirante est susceptible de provoquer le déplacement de la lame de scie vers le dessus de la pièce et de propulser violemment ainsi la lame vers l'opérateur.
- e) **Ne laissez jamais votre main croiser la ligne de coupe prévue que ce soit devant ou derrière la lame de scie.** Maintenir la pièce en la maintenant du côté droit de la lame de scie avec la main gauche ou inversement est très dangereux.
- f) **N'approchez jamais les mains de la partie arrière de la butée à une distance de moins de 100 mm de chaque côté de la lame de scie, afin de retirer des copeaux de bois, ou pour toute autre raison lorsque la lame tourne.** Vous risquez de mal apprécier la distance entre votre main et la lame de scie et vous blesser gravement.
- g) **Examinez la pièce avant de la couper. Si la pièce est courbée ou gauchie, serrez-la en plaçant l'extérieur de la face courbée vers la butée. Veillez toujours à ce qu'il n'y ait pas d'espace entre la pièce, le butée et la table le long du trait de scie.** Les pièces déformées ou gauchies peuvent tourner sur elles-mêmes ou se décaler et provoquer un blocage de la lame de scie en rotation lors de la coupe. La pièce ne doit comporter aucun clou ni aucun corps étranger.
- h) **N'utilisez pas la scie tant que la table n'est pas dégagée de tous les outils, de bois, etc., à l'exception de la pièce.** Les petites chutes, les morceaux de bois détachés ou d'autres objets qui entreraient en contact avec la lame en rotation peuvent être éjectés à une vitesse élevée.
- i) **Ne coupez qu'une seule pièce à la fois.** Plusieurs pièces empilées ne peuvent être serrées ou maintenues de manière appropriée et peuvent bloquer la lame ou se déplacer lors de la coupe.
- j) **Assurez-vous que la scie à onglets est placée sur une surface de travail plate et rigide avant utilisation.** Une surface de travail lisse et rigide réduit le risque d'instabilité de la scie à onglets.
- k) **Planifiez votre travail. A chaque changement de réglage de l'angle de biseau ou d'onglet, assurez-vous que la butée réglable est réglée correctement afin de maintenir la pièce et n'entre pas en collision avec la lame ou le protecteur de lame.** Sans mettre l'outil en "MARCHE" et sans aucune pièce placée sur la table, déplacez la lame de scie en simulant une coupe complète afin de vous assurer de l'absence de tout obstacle ou de tout risque de sectionnement de la butée.
- l) **En présence de pièces plus larges ou plus longues que le plateau de la table, installez des supports tels que des rallonges de table ou des servantes, par exemple, afin de supporter les correctement les pièces.** Des pièces plus longues ou plus larges que la table de la scie à onglets peuvent basculer si elles ne sont pas soutenues de manière sûre. Un basculement de la pièce sciée ou de la pièce à scier peut soulever le protecteur de lame ou la pièce coupée, ou être éjectée par la lame en rotation.
- m) **Ne demandez pas à une tierce personne de supporter la pièce ou de vous aider à la maintenir.** Un support instable de la pièce peut entraîner le blocage de la lame ou le décalage de la pièce lors de la coupe, vous entraînant, de même que l'assistant, vers la lame en rotation.
- n) **La chute de la pièce coupée ne doit pas être poussée contre la lame de scie en rotation.** Lorsqu'il y a peu d'espace, par exemple lors de l'utilisation de la butée parallèle, la chute peut se gripper contre la lame et être éjectée violemment.
- o) **Utilisez toujours un presseur ou un dispositif de serrage conçu pour maintenir correctement les matériaux ronds tels que les tiges ou les tubes.** Les tiges ont tendance à rouler lors de leur coupe et à se gripper dans la lame attirant votre main et la pièce vers la lame.
- p) **Laissez la lame atteindre sa vitesse maximale avant qu'elle n'entre en contact avec la pièce.** Cela réduit le risque d'éjection de la pièce.
- q) **Lorsque la pièce ou la lame est coincée, arrêtez la scie à onglets. Attendez l'arrêt complet de toutes les parties mobiles et débranchez la prise de la source d'alimentation et/ou retirez la batterie. Dégagez ensuite le matériau coincé.** Si vous continuez à scier lorsque la pièce est coincée, vous risquez de perdre le contrôle de la scie ou d'endommager la scie à onglets.

r) Une fois la coupe achevée, relâchez l'interrupteur, abaissez la tête de la scie et attendez l'arrêt de la lame avant de retirer la pièce coupée.

Il est dangereux d'approcher la main de la lame lorsqu'elle est encore en rotation.

s) Maintenez la poignée fermement lors de la réalisation d'une coupe partielle ou lorsque vous relâchez l'interrupteur avant que la tête de la scie ait été ramenée à sa position inférieure.

Lors du freinage de la scie peut provoquer une saccade et faire descendre de la tête de la scie, provoquant de ce fait un risque de blessure.

Consignes de sécurité concernant le maniement des lames de scie

1. N'utilisez pas de lames de scie endommagées ou déformées.
2. N'utilisez pas de lames présentant des fissures. Mettez les lames présentant des fissures hors service. Il est interdit de les réparer.
3. N'utilisez pas de lames en acier rapide.
4. Contrôlez l'état des lames de scie avant d'utiliser la scie à onglet et radiale.
5. Veillez à choisir systématiquement une lame de scie correspondant au matériau à découper.
6. Utilisez uniquement les lames de scie déterminées par le fabricant. Les lames de scies destinées à la coupe du bois et de matériaux assimilés doivent impérativement être conformes à la norme EN 847-1.
7. N'utilisez pas de lames de scie en acier rapide fortement alliés (acier HSS).
8. Utilisez uniquement des lames de scie dont la vitesse maximale autorisée n'est pas inférieure à la vitesse de broche maximale de la scie à onglet et radiale. Elles devront en outre être adaptées au matériau à découper.
9. Respectez le sens de rotation de la lame de scie.
10. Ne remplacez la lame de scie que si vous êtes familiarisé avec son maniement.
11. Respectez la vitesse de rotation maximale. La vitesse de rotation maximale indiquée sur la lame ne doit pas être dépassée. Si une plage de vitesse de rotation est indiquée, respectez-la.
12. Éliminez les impuretés, la graisse, l'huile et l'eau des surfaces de serrage.
13. N'utilisez pas de bagues ou de douilles de réduction indépendantes pour réduire les alésages des lames de scie circulaire.
14. Veillez à ce que les bagues de réduction fixées servant à sécuriser la position de la lame présentent le même diamètre et soient égales à au moins 1/3 du diamètre de coupe.
15. Veillez à ce que les bagues de réduction fixées soient parallèles les unes aux autres.
16. Manipulez les lames avec prudence. Conservez-les de préférence dans leur emballage d'origine ou dans des protections spéciales. Portez des gants pour une prise en main plus sûre et pour réduire encore le risque de blessures.
17. Avant d'utiliser les lames, veillez à ce que tous les dispositifs de protection soient bien fixés.

18. Avant utilisation, assurez-vous que la lame de scie que vous utilisez satisfait aux exigences techniques de cette scie à onglet et radiale et qu'elle est correctement fixée.
19. Utilisez la lame de scie fournie exclusivement pour scier du bois et jamais pour scier du métal.
20. Utilisez exclusivement des lames dont le diamètre correspond aux indications apposées sur la scie à onglet.
21. Utilisez des supports supplémentaires pour maintenir la pièce en position stable lorsque nécessaire.
22. Les supports de pièces rétractables doivent toujours être utilisés et fixés pendant le travail.
23. Remplacez les inserts de table usagés!
24. Évitez une surchauffe des dents de la lame de scie.
25. Éviter que le plastique ne fonde en sciant les plastiques. Pour ce faire, utiliser des lames de scie adaptées. Remplacez à temps les lames de scie endommagées ou usées. Si la lame de scie surchauffe, arrêtez la machine. Laissez d'abord la lame de scie refroidir avant de travailler à nouveau avec l'outil électrique.

Attention: Faisceau laser

Ne regardez pas en direction du faisceau

Laser de classe 2



Protégez-vous et protégez votre environnement en appliquant des mesures de prévention des accidents adaptées !

- Ne fixez pas le rayon laser avec vos yeux sans protection.
- Ne regardez jamais directement dans le faisceau laser.
- Le faisceau laser ne doit jamais être dirigé vers des surfaces réfléchissantes, ni vers des animaux ou des personnes. Même un faisceau laser de faible puissance peut provoquer des dommages aux yeux.
- Attention! - si vous procédez autrement qu'en suivant les présentes recommandations, il y a un risque d'exposition dangereuse au faisceau laser.
- N'ouvrez jamais le module du laser. Une exposition fortuite pourrait se produire.
- Si vous n'utilisez pas la machine pendant une période prolongée, il est conseillé d'enlever les piles.
- Le laser ne doit pas être échangé contre un autre type de laser.
- Les réparations du laser ne peuvent être effectuées que par le fabricant du laser ou un représentant agréé.

Consignes de sécurité relatives à la manipulation des piles

1. À tout moment, veiller à la polarité correcte des piles (+ et -) (indiquée dessus).
2. Ne pas court-circuiter les piles.
3. Ne pas charger les piles non rechargeables.
4. Ne pas charger les piles de manière excessive !
5. Ne pas mélanger piles anciennes et neuves, ni des piles de différents types ou fabricants ! Remplacer en même temps toutes les piles d'un jeu.

6. Retirer immédiatement les piles usées de l'appareil et les mettre au rebut conformément aux dispositions ! Ne jetez pas les batteries avec les ordures ménagères. Les batteries défectueuses ou usagées doivent être recyclées conformément à la directive 2006/66/EC. Remettez les batteries et/ou l'appareil aux centres de tri qui vous sont proposés. Vous pouvez obtenir les informations correspondantes auprès de l'administration de votre commune.
7. Ne pas chauffer les piles !
8. Ne pas souder ou braser directement les piles !
9. Ne pas séparer les piles !
10. Ne pas déformer les piles !
11. Ne pas jeter les piles au feu !
12. Tenir les piles hors de portée des enfants.
13. Ne pas laisser les enfants changer les piles sans surveillance !
14. Ne pas conserver les piles à proximité d'un feu, d'une cuisinière ou d'une autre source de chaleur. Ne pas exposer les piles aux rayons directs du soleil. Ne pas utiliser ou les laisser dans un véhicule lorsqu'il fait chaud.
15. Conserver les piles non utilisées dans leur emballage d'origine et à bonne distance des objets métalliques. Ne pas mélanger les piles déballées ! Cela peut provoquer un court-circuit des piles et par conséquent, leur endommagement, voire provoquer un incendie.
16. Lorsque l'appareil n'est pas utilisé de manière prolongée, retirer les piles de l'appareil sauf en cas d'urgence !
17. Les piles périmées ne doivent JAMAIS être touchées sans une protection adaptée. Si du liquide s'échappe et entre en contact avec la peau, rincer immédiatement la zone concernée à l'eau courante. Éviter tout contact de ce liquide avec les yeux et la bouche. Consulter immédiatement un médecin.
18. Nettoyer les contacts des piles, ainsi que les contacts de l'appareil avant de mettre en place les piles.


Risques résiduels

La machine est construite en l'état des connaissances techniques actuelles et selon les règles techniques de sécurité reconnues. Toutefois, des risques résiduels peuvent subsister lors de son utilisation.

- Danger pour la santé dû au courant électrique lors de l'utilisation de câbles de raccordement électriques non conformes.
- Malgré la mise en application de toutes les mesures préventives, des risques résiduels non évidents peuvent subsister.
- Les risques résiduels peuvent être minimisés en observant les consignes de sécurité, en respectant l'utilisation conforme ainsi que les consignes du manuel d'utilisation.
- Ne surchargez pas la machine inutilement : une pression trop importante lors du sciage endommage rapidement la lame de scie, ce qui peut nuire à la précision de coupe et aux performances de la machine lors de son utilisation.
- Lors du sciage de plastique, utilisez toujours des presseurs : les pièces à scier doivent toujours être fixées entre les presseurs.
- Évitez toute mise en service impromptue de la machine: lors de l'introduction de la fiche dans la prise, la touche de mise en marche ne doit pas être actionnée.
- Utilisez la lame recommandée dans le présent manuel. Votre scie conservera ainsi des performances optimales.

- Faites en sorte de ne pas placer vos mains dans la zone de coupe si la machine est en cours de fonctionnement.
- Avant d'entreprendre une opération de réglage ou d'entretien, relâchez la touche de la poignée et débranchez la machine.

7. Caractéristiques techniques

Moteur à courant alternatif.....	220 - 240 V~ 50Hz
Puissance S1.....	1200 Watt
Type de service.....	S6 25%* 1500W
Vitesse de rotation à vide n_0	5000 min ⁻¹
Lame de scie en métal dur.....	∅ 210 x ∅ 30 x 2,6 mm
Nombre de dents.....	48
Largeur maximale des dents de la lame de scie.....	3 mm
Plage de rotation.....	-45° / 0° / +45°
Coupe d'onglet.....	0° bis 45° vers la gauche
Largeur de coupe à 90°.....	120 x 60 mm
Largeur de coupe à 45°.....	80 x 60 mm
Largeur de coupe à 2 x 45° (coupe à double onglet).....	80 x 35 mm
Classe de protection.....	II / 
Poids.....	env. 7,6 kg
Classe du laser.....	2
Longueur d'ondes du laser.....	650 nm
Puissance laser.....	< 1 mW

* Type de service S6, service périodique à charge intermittente. Le fonctionnement comporte une durée de mise en route, une durée de fonctionnement à régime constant et une durée de fonctionnement à vide. Le cycle de fonctionnement est de 10 minutes, la durée de fonctionnement effective est de 25% du cycle.

La pièce à scier doit avoir une hauteur de 3 mm et une largeur de 10 mm au minimum.

Veillez à ce que la pièce à scier soit toujours fixée avec le dispositif de serrage.

Bruit

Les valeurs du bruit émis ont été déterminées conformément à la norme EN 62841.

Niveau pression acoustique L_{pA}	99,6 dB(A)
Incertitude K_{pA}	3 dB
Niveau de puissance acoustique L_{WA}	112,6 dB(A)
Incertitude K_{WA}	3 dB

Portez une protection auditive.

Les nuisances sonores peuvent entraîner une perte d'audition.

Les valeurs d'émission de bruit ont été mesurées selon un processus d'essai normalisé et peuvent servir à comparer les valeurs d'un outil électrique à un autre.

Les valeurs d'émission de bruit indiquées peuvent également servir à évaluer préalablement les risques encourus lors de l'exposition.

Avertissement:

- Lors de l'utilisation réelle de l'outil électrique, les valeurs d'émission de bruit peuvent différer des valeurs indiquées en fonction de l'utilisation de l'outil électrique et particulièrement en fonction du matériau usiné.
- Essayez de réduire les contraintes au maximum. Par exemple en limitant la durée du travail. Il faut tenir compte de l'ensemble du cycle (par exemple, les temps pendant lesquels la machine est arrêtée et les temps pendant lesquels, la machine est en fonction mais tourne à vide).

8. Avant la mise en service

- Ouvrez l'emballage et sortez-en la machine soigneusement.
- Retirez les matériaux d'emballage ainsi que les sécurités mises en place pour le transport (le cas échéant).
- Vérifiez que les fournitures sont complètes.
- Inspectez l'outil et les accessoires, assurez-vous qu'il n'y a pas eu de dommages liés au transport.
- Conservez l'emballage jusqu'à la fin de la période de garantie, si possible.

ATTENTION

L'appareil et les matériaux d'emballage ne sont pas des jouets ! Les enfants ne doivent en aucun cas jouer avec les sacs en plastique, films d'emballage et pièces de petite taille ! Il y a un risque d'ingestion et d'asphyxie !

Veillez toujours à la stabilité et à la sécurité de la machine, en la fixant à un établi p. ex.

- La machine doit être mise en place de façon à être stable. Fixez la machine en utilisant les orifices de la table de scie fixe (9) à l'aide de 4 vis (non comprises dans la livraison) sur un établi, un support ou autre.
- Avant la mise en service, les protections et dispositifs de sécurité doivent être montés dans les règles de l'art.
- La lame de scie doit pouvoir tourner librement.
- Veillez aux corps étrangers présents dans les bois de récupération, comme par exemple, les clous et vis, etc.
- Avant d'actionner l'interrupteur marche / arrêt, assurez-vous que la lame de scie est montée correctement. Les éléments mobiles doivent fonctionner librement.
- Avant le raccordement, vérifiez si les données de la plaque signalétique correspondent bien aux données du réseau.

8.1 Montage de l'étau à pièce (il. 2)

- Desserrez la vis de blocage (19) et montez l'étau à pièce (15) à gauche ou à droite de la table de scie fixe.
- Resserrez ensuite la vis de blocage (19).

8.2 Montage des supports de pièce (il. 2 - 3)

- Desserrez la vis de blocage (14) et faites passer le support de pièce à travers l'alésage prévu à cet effet sur le côté de la table de scie fixe.
- Veillez à ce que le support de pièce (18) passe également à travers les deux brides au niveau de la partie inférieure.
- Resserrez ensuite la vis de blocage (14).
- Répétez ce processus de l'autre côté.

8.3 Montage de l'étrier de support (il. 2 - 3)

- Desserrez les vis de blocage (20) au niveau de la partie inférieure de la scie et faites passer l'étrier de support (21) à travers les alésages prévus à cet effet au dos de la scie.
- Resserrez ensuite les vis de blocage (20).

8.4 Sac collecteur de sciure (Il. 4)

La scie est équipée d'un sac collecteur (17) pour la sciure.

- Rapprochez les extrémités du collier-ressort du sac collecteur de sciure et placez-le sur l'embouchure de l'embout situé à l'arrière du moteur.
- Le sac collecteur de sciure (17) peut être vidé grâce à une fermeture à glissière située sur sa face arrière.

Raccordement à un dispositif d'aspiration indépendant

- Raccordez le tuyau à l'embouchure d'aspiration de poussière.
- Le dispositif d'aspiration doit être adapté au matériau usiné.
- Pour aspirer les poussières particulièrement nocives ou cancérogènes, utilisez un dispositif d'aspiration spécial.

8.5 Vérification de la mobilité du dispositif de sécurité de protection de la lame (5)

Le protecteur de lame protège d'un contact avec la lame et des projections de sciures rotation.

Vérification du fonctionnement.

Pour ce faire abaissez la tête de la scie vers le bas :

- Le protecteur de lame doit découvrir la lame lorsque l'on abaisse la tête de la scie, sans toucher d'autre élément.
- Lorsque l'on relève la tête de la scie, le protecteur de lame de scie doit recouvrir automatiquement la lame.

9. Montage et utilisation

9.1 Assemblage de la scie à onglet et radiale (il. 1 - 3)

- Desserrez la platine rotative (13) en desserrant la vis de fixation (7).
- À l'aide de la poignée (3), régler la platine rotative (13) sur l'angle souhaité.

REMARQUE

La scie radiale peut être pivotée avec la platine rotative vers la gauche et vers la droite. L'échelle permet de réaliser un réglage d'angle parfaitement exact. Les angles 0° à 45° peuvent être réglés de manière précise et rapide par des réglages de la trame à 15°, 22,5°, 30°.

- Resserrez la vis de fixation (7) pour fixer la platine rotative.
- En appuyant légèrement sur la tête de la machine (4) tout en tirant l'arrêt de sécurité (25) du support-moteur, la scie est déverrouillée de sa position inférieure.
- Relevez la tête de la machine (4).
- Les presseurs (15) peuvent être fixés aussi bien à gauche qu'à droite sur la table de scie fixe (9). Insérez les presseurs (15) dans les orifices prévus à l'arrière de la butée (8) et bloquez-les à l'aide des boutons moletés (19).
- La tête de machine (4) peut être inclinée vers la gauche de max. 45° en desserrant la vis de fixation (23).
- Pendant le travail, les supports de pièce rétractables (18) doivent toujours être fixés et utilisés.

9.2 Réglage de précision de la butée pour coupe à 90° (il. 5)

L'équerre ne fait pas partie de la livraison.

- Abaissez la tête de la machine (4) et fixez-la à l'aide de l'arrêt de sécurité (25).
- Desserrez la vis de blocage (23).
- Placez l'équerre (A) contre la lame de scie (6) et le plateau tournant (13).
- Desserrez l'écrou de sécurité (26a).
- Tournez la vis de réglage (26) jusqu'à ce que l'angle entre la lame de scie (6) et le plateau tournant (13) soit de 90°.
- Resserrez l'écrou de sécurité (26a).

9.3 Coupe à 90° et plateau tournant à 0° (il. 1/2/3/6)

Attention! Les butées mobiles (8a) doivent être fixées à leur position intérieure pour effectuer les coupes pendulaires à 90°.

- Ouvrez la vis de blocage (8b) du rail de butée mobile (8a) et poussez ce même rail (8a) vers l'intérieur.
- Les butées mobiles (8a) doivent être bloquées à leur position intérieure de façon à ce que l'écart entre les butées (8a) et la lame de scie (6) soit de 8 mm maximum.
- Avant d'effectuer une coupe, vérifiez qu'il n'y a pas de collision possible entre la lame de scie (6) et la butée mobile (8a).
- Resserrez les vis de blocage (8b).
- Placez la tête de la machine (4) en position haute.
- Placez le bois à couper contre le rail de butée (8) et sur le plateau tournant (13).
- Fixer le matériau avec les dispositifs de serrage (15) sur la table de scie fixe (9) afin d'empêcher un déplacement pendant le processus de coupe. Voir le point 9.12.
- Déverrouiller la commande de blocage (2) et actionner sur l'interrupteur On/Off (1) pour mettre le moteur en marche.
- Déplacez la tête de la machine (4) à l'aide de la poignée (3) lentement et avec une légère pression vers le bas, jusqu'à ce que la lame de scie (6) coupe la pièce.
- Après avoir terminé la coupe, remplacez la tête de la machine en position haute, de repos et relâchez l'interrupteur Marche/Arrêt (1).

Attention!

Sous l'effet du ressort de rappel, la tête de la machine se déplace automatiquement vers le haut, ne relâchez pas la poignée (3) après la fin de la coupe, mais relevez-la lentement vers le haut en appliquant une légère contre-pression.

9.4 Coupe à 90° et plateau tournant orienté entre 0° et 45° (il. 1/2/3/6)

La scie à onglet et radiale permet de réaliser des coupes de biais vers la gauche et vers la droite de 0° à 45°.

Attention !

La butée mobile (8a) doit être fixée vers l'intérieur pour les coupes à 90°.

- Ouvrez la vis de blocage (8b) du rail de butée mobile (8a) et poussez ce même rail (8a) vers l'intérieur.
- Les butées mobiles (8a) doit être bloquée de manière à ce que l'écart entre la butée (8a) et la lame de scie (6) soit de 8 mm au minimum.
- Avant de procéder à la coupe, vérifiez qu'il n'existe aucun risque de collision entre la butée (8a) et la lame de scie (6).
- Resserrez la vis de blocage (8b).

- Desserrez la platine rotative (13) en desserrant la vis de fixation (7).
- À l'aide de la poignée (3), régler la platine rotative (13) sur l'angle souhaité.
- Resserrez la vis de fixation (7) pour fixer la platine rotative.
- Effectuez la coupe comme décrit au point 9.3.

9.5 Réglage de précision de la butée pour coupe d'onglet à 45° (il. 1/2/3/6/7/8)

L'équerre ne fait pas partie de la livraison.

- Abaissez la tête de la machine (4) et fixez-la à l'aide de l'arrêt de sécurité (25).
- Fixez le plateau tournant (13) en position 0°.
- Attention ! Les butées mobiles (8a) doivent être fixées à leur position extérieure pour effectuer les coupes de biais (tête de la machine inclinée) (côté gauche).
- Desserrez la vis de blocage (8b) de la butée mobile (8a) et faites coulisser la butée mobile (8a) vers l'extérieur.
- La butée mobile (8a) doit être fixée à sa position intérieure de façon à ce que l'écart entre la butée (8a) et la lame de scie (6) soit au minimum de 8 mm.
- Avant d'effectuer une coupe, vérifiez qu'il n'y a pas de collision possible entre la lame de scie (6) et la butée mobile (8a).
- Resserrez les vis de blocage (8b).
- Desserrez la vis de fixation (23) et à l'aide de la poignée (3), incliner la tête de machine (4) de 45° vers la gauche.
- Placez l'équerre 45° (B) contre la lame de scie (6) et le plateau tournant (13).
- Desserrez l'écrou de sécurité (22a) et déplacez la vis de réglage (22) jusqu'à ce que l'angle entre la lame de scie (6) et le plateau tournant (13) soit parfaitement à 45°.
- Resserrez l'écrou de sécurité (22a).
- Vérifiez ensuite la position de l'affichage de l'angle, au besoin, desserrez le pointeur (28) à l'aide d'un tournevis cruciforme, placez-le à la position des 45° de la graduation angulaire (27) et resserrez la vis de maintien.

9.6 Coupe d'onglet de 0° à 45° et plateau tournant à 0° (il. 1/2/3/6)

La scie à onglet et radiale permet de réaliser des coupes d'onglet vers la gauche de 0° à 45° par rapport à la surface de travail.

Attention !

Les butées mobiles (8a) doivent être fixées à leur position extérieure pour effectuer les coupes de biais (tête de la machine inclinée).

Attention !

En principe, en cas de coupes d'onglet de 0° à 45° le presseur (dispositif de serrage des pièces) (15) doit être monté à la droite.

- Desserrez la vis de blocage (8b) de la butée mobile (8a) et faites coulisser la butée mobile (8a) vers l'extérieur.
- La butée mobile (8a) doit être fixée à sa position intérieure de façon à ce que l'écart entre la butée (8a) et la lame de scie (6) soit au minimum de 8 mm.
- Avant d'effectuer une coupe, vérifiez qu'il n'y a pas de collision possible entre la lame de scie (6) et la butée mobile (8a).
- Resserrez la vis de blocage (8b).
- Placez la tête de machine (4) à sa position supérieure.
- Fixez le plateau tournant (13) en position 0°.

- Desserrer la vis de fixation (23) et à l'aide de la poignée (3), incliner la tête de machine (4) vers la gauche jusqu'à ce que le pointeur (28) soit sur la mesure d'angle sélectionnée selon l'échelle (27).
- Resserer la vis de fixation (23).
- Réalisez la coupe comme décrit au point 9.3.

9.7 Coupe d'onglet de 0° à 45° et plateau tournant de 0° à 45° (il. 1/2/3/6)

La scie à onglet et radiale permet de réaliser des coupes d'onglet vers la gauche de 0° à 45° par rapport à la surface de travail et simultanément de 0° à 45° par rapport au rail de butée (double coupe d'onglet).

Attention !

Les butées mobiles (8a) doivent être fixées à leur position extérieure pour effectuer les coupes de biais (tête de la machine inclinée).

Attention !

En principe, en cas de coupes d'onglet de 0° à 45° le presseur (dispositif de serrage des pièces) (15) doit être monté à la droite.

- Desserrer la vis de blocage (8b) de la butée mobile (8a) et faites coulisser la butée mobile (8a) vers l'extérieur.
- La butée mobile (8a) doit être fixée à sa position intérieure de façon à ce que l'écart entre la butée (8a) et la lame de scie (6) soit au minimum de 8 mm.
- Avant de procéder à la coupe, vérifiez qu'il n'existe aucun risque de collision entre la butée (8a) et la lame de scie (6).
- Resserer la vis de blocage (8b).
- Placez la tête de la machine (4) en position haute.
- Desserrer la platine rotative (13) en desserrant la vis de fixation (7).
- À l'aide de la poignée (3), régler la platine rotative (13) sur l'angle souhaité.
- Resserer la vis de fixation (7) pour fixer la platine rotative.
- Desserrer la vis de fixation (23).
- À l'aide de la poignée (3) inclinez la tête de la machine (4) vers la gauche à l'angle souhaité (voir également le point 9.6 à ce sujet).
- Resserer la vis de fixation (23).
- Réalisez la coupe comme décrit au point 9.3.

9.8 Remplacement de la lame de scie (il. 1/2/3/9/10)

Débranchez la fiche de la prise de courant du secteur !

Attention !

Portez des gants de protection pour changer la lame de scie ! Risque de blessure !

- Pivoter la tête de machine (4) vers le haut et la fixer à l'aide du boulon d'arrêt (25).
- Remontez le protecteur de lame (5) jusqu'à ce qu'il passe au-delà de la vis de bride (29).
- De l'autre main, placez la clé Allen (C) sur la vis de bride (29).
- Maintenez la clé Allen (C) et fermez doucement le capot de protection de la lame de la scie (5) jusqu'à ce que celui-ci soit proche de la clé Allen (C).
- Maintenez le blocage de l'arbre de scie (32) enfoncé et tournez lentement la vis de bride (29) dans le sens des aiguilles d'une montre. Après un tour au maximum le dispositif de blocage de scie (32) s'encliquette.

- Desserrez à présent, avec un peu plus de force, la vis de bride (29) en la tournant dans le sens des aiguilles d'une montre.
- Tournez la vis de bride (29) pour la sortir complètement et retirez la bride extérieure (30).
- Enlevez la lame de scie (6) de la bride intérieure en la tirant vers le bas et retirez-la.
- Nettoyez minutieusement la vis de bride (29), la bride extérieure (30) et la bride intérieure.
- Placez la nouvelle lame de scie (6) en procédant dans l'ordre inverse et serrez-la à fond.
- Attention ! L'inclinaison des dents doit correspondre au sens de la flèche située sur le carter, autrement dit au sens de rotation de la lame de scie (6).
- Avant de continuer le travail, vérifiez que le fonctionnement des équipements de protection est correct.
- Attention ! Après chaque changement de lame de scie, il faut contrôler si la lame de scie (6) tourne bien librement sans toucher l'insert de table (10) lorsque la lame est en position verticale et lorsqu'elle est inclinée à 45°.

Attention !

Le remplacement et le réglage de la lame de scie (6) doit être réalisé dans les règles de l'art.

9.9 Remplacement des batteries laser (il. 11)

- Retirez le cache de batterie (34). Retirez les 2 batteries.
- Remplacez les deux batteries par des modèles de même type ou de type comparable. Veillez à respecter la polarité.
- Refermez le couvercle des batteries.

9.10 Marche / Arrêt du laser (il. 11)

Marche:

Placer le bouton marche / arrêt (33) en position « 1 ». Le faisceau laser indiquant le tracé de découpe est projeté sur la pièce à usiner.

Arrêt:

Placer le bouton marche / arrêt en position « 0 ».

9.11 Ajuster le laser (il. 12)

Si le laser (35) n'affiche plus la ligne de coupe correcte, il est possible de le rajuster. A cet effet, ouvrez les vis (36) et réglez le laser en le poussant latéralement de manière que le rayon laser touche les dents de coupe de la lame de scie (6).

9.12 Commande du dispositif de serrage des pièces (il. 1, 2)

La vis de fixation (16) permet de régler en hauteur le dispositif de serrage des pièces (15).

- Abaissez le dispositif de serrage des pièces sur la pièce usinée.
- Serrez à fond la vis de fixation (16).
- Tournez la poignée de serrage (24) dans le sens horaire afin de serrer la pièce usinée.
- Pour desserrer la pièce usinée, procédez dans l'ordre inverse.

10. Transport (il. 13)

- Serrez la poignée (7) afin de verrouiller le plateau tournant (13).
- Abaissez la tête de la machine (4) vers le bas et bloquez-la avec l'arrêt de sécurité (25). La scie est à présent verrouillée en position inférieure.
- Tenir la machine par la poignée (37).
- Pour remettre la machine en place, procédez comme décrit au point 8 - 9.

11. Maintenance

⚠ Avertissement!

Avant tout réglage, entretien ou réparation, débranchez la fiche du secteur!

Mesures de maintenance générales

Essayez de temps en temps la machine à l'aide d'un chiffon afin d'en éliminer la sciure et la poussière. Huilez les pièces mobiles une fois par mois pour prolonger la durée de vie de l'outil. Ne pas huiler le moteur.

Pour nettoyer le plastique, n'utilisez pas de produits corrosifs.

Nettoyage du protecteur de lame mobile (5)

Avant chaque utilisation, vérifiez si le protecteur de lame est encrassé.

Enlevez les éclats de bois et la sciure en utilisant un pinceau ou d'un autre outil approprié.

Remplacement de l'insert de table (il. 14)

Danger!

Lorsque l'insert de table (10) est endommagé, il y a le risque que de petits éléments se coincent entre l'insert et la lame de scie et la bloquent.

Remplacez immédiatement un insert de table endommagé!

1. Dévisser les vis (E) du plateau de table.
2. Retirer le plateau de table.
3. Mettre le nouveau plateau de table en place.
4. Serrer à fond les vis (E) du plateau de table.

Inspection des charbons

En présence d'une machine neuve, vérifiez les charbons après les 50 premières heures de service ou lorsque de nouveaux charbons ont été mis en place. À l'issue du premier contrôle, procédez à un contrôle toutes les 10 heures de service.

Si le carbone est usé sur 6 mm ou si les ressorts ou le fil de connexion de dérivation sont brûlés ou endommagés, les deux charbons doivent être remplacés. Si les charbons sont considérés comme utilisables après démontage, il est possible de les remonter.

Pour effectuer l'entretien des charbons, ouvrez les deux opercules (voir Il. 15) en les tournant dans le sens anti-horaire. Enlevez les charbons et mettez les nouveaux charbons en place dans l'ordre inverse.

Informations concernant le service après-vente

Il faut tenir compte du fait que pour ce produit les pièces suivantes sont soumises à une usure liée à l'utilisation et sont donc des consommables non couverts par la garantie.

Pièces d'usure*: Charbons, lame de scie, insert de table, sac collecteur de sciure

*Ne font pas partie de l'ensemble de livraison !

12. Stockage

Entreposez l'appareil et ses accessoires dans un lieu sombre, sec et à l'abri du gel. Cet emplacement doit être hors de portée des enfants. La température de stockage optimale se situe entre +5° et +30 °C.

Conservez l'outil électrique dans son emballage d'origine.

Recouvrez l'outil électrique afin de le protéger de la poussière ou de l'humidité.

Conservez le manuel d'utilisation à proximité de l'outil électrique.

13. Raccordement électrique

Le moteur électrique installé est prêt à fonctionner une fois raccordé. Le raccordement correspond aux dispositions de la VDE et DIN en vigueur. Le branchement au secteur effectué par le client ainsi que la rallonge électrique utilisée doivent correspondre à ces prescriptions.

Consignes importantes

En cas de surcharge du moteur, ce dernier s'arrête de lui-même. Après un temps de refroidissement (d'une durée variable), le moteur peut être remis en marche.

Câble d'alimentation électrique défectueux

Des détériorations de l'isolation sont souvent présentes sur les câbles de raccordement électriques.

Les causes peuvent en être :

- Des écrasements, si les câbles de raccordement passent par des fenêtres ou interstices de portes.
- Des pliures dues à une fixation ou à un cheminement incorrects des câbles de raccordement.
- Des ruptures si l'on a roulé sur le câble.
- Des détériorations de l'isolation dues à un arrachement hors de la prise murale.
- Des fissures dues au vieillissement de l'isolation.

Des câbles de raccordement électriques endommagés de la sorte ne doivent pas être utilisés et, en raison de leur isolation défectueuse, sont mortellement dangereux.

Vérifiez régulièrement que les câbles de raccordement électriques ne sont pas endommagés. Lors du contrôle, veillez à ce que le câble de raccordement ne soit pas connecté au réseau. Les câbles de raccordement électriques doivent correspondre aux dispositions VDE et DIN en vigueur. N'utilisez que des câbles de raccordement portant le marquage „H05VV-F“.

L'indication de la désignation du type sur le câble de raccordement est obligatoire.

Consignes de sécurité pour le remplacement de câbles de raccordement secteur endommagés ou défectueux

Type X:

Si le câble de raccordement au réseau de cet appareil est endommagé, il doit être remplacé par un câble de raccordement spécial par le fabricant ou son service après-vente.

Moteur à courant alternatif:

La tension du réseau doit être de 220 - 240 V~.

- Les conducteurs des rallonges d'une longueur maxi. de 25 m doivent avoir une section de 1,5 mm².
- Les raccordements et réparations de l'équipement électrique doivent être réalisés par un électricien.

Pour toute question, veuillez indiquer les données suivantes :

- Type de courant du moteur
- Données figurant sur la plaque signalétique de la machine

14. Mise au rebut et recyclage

L'appareil se trouve dans un emballage permettant d'éviter les dommages dus au transport. Cet emballage est une matière première et peut donc être réutilisé ultérieurement ou être réintroduit dans le circuit des matières premières.

L'appareil et ses accessoires sont en matériaux divers, comme par exemple des métaux et matières plastiques. Pour une mise au rebut conforme à la réglementation, l'appareil ou les pièces qui le composent doivent être déposés dans un centre de collecte approprié. Si vous ne connaissez pas de centre de collecte, veuillez vous renseigner auprès de votre revendeur ou de l'administration de votre commune !



L'emballage se compose exclusivement de matières recyclables qui peuvent être mises au rebut dans les déchetteries locales.

Renseignez-vous auprès de votre mairie ou de l'administration municipale concernant les possibilités de mise au rebut des appareils usagés.

Ne jetez pas les anciens appareils avec les déchets ménagers!



Ce symbole indique que conformément à la directive relative aux déchets d'équipements électriques et électroniques (2012/19/UE) et aux lois nationales, ce produit ne doit pas être jeté avec les déchets ménagers. Ce produit doit être remis à un centre de collecte prévu à cet effet. Le produit peut par exemple, être retourné lors de l'achat d'un produit similaire ou être remis à un centre de collecte agréé pour le recyclage d'appareils électriques et électroniques usagés. En raison des substances potentiellement dangereuses souvent contenues dans les appareils électriques et électroniques usagés, la manipulation non conforme des appareils usagés peut avoir un impact négatif sur l'environnement et la santé humaine. Une élimination conforme de ce produit contribue en outre à une utilisation efficace des ressources naturelles. Pour plus d'informations sur les centres de collecte des appareils usagés, veuillez contacter votre municipalité, le service communal d'élimination des déchets, un organisme agréé pour éliminer les déchets d'équipements électriques et électroniques ou le service d'enlèvement des déchets.

Ne pas jeter les piles et accus avec les déchets ménagers!



En tant que consommateur, vous êtes légalement tenu de porter les piles et accus, qu'ils contiennent des polluants* ou non, à un centre de collecte de votre commune/quartier ou du commerce, de sorte qu'ils puissent être éliminés dans le respect de l'environnement.

* marqué par: Cd = cadmium, Hg = mercure, Pb = plomb
Retirez les piles du laser avant d'éliminer la machine et les piles.

15. Dépannage

Problème	Cause possible	Solution
Le moteur ne fonctionne pas	Moteur, câble ou connecteur défectueux, fusibles grillés	Faites vérifier la machine par un spécialiste. Ne jamais réparer le moteur vous-même. Danger ! Contrôlez les fusibles, remplacez-les au besoin
Le moteur fonctionne lentement et n'atteint pas la vitesse de service.	Tension trop faible, bobinages endommagés, condensateur grillé	Faites contrôler la tension par votre fournisseur en électricité. Faites contrôler le moteur par un spécialiste. Faites remplacer le condensateur par un spécialiste.
Le moteur est trop bruyant	Bobinages endommagés, moteur défectueux	Faites contrôler le moteur par un spécialiste.
Le moteur ne fonctionne pas à plein régime.	Circuit de l'installation électrique surchargé (lampes, autres moteurs, etc.)	N'utilisez aucun autre appareil ou moteur sur le même circuit électrique.
Le moteur surchauffe facilement.	Surcharge du moteur, refroidissement insuffisant du moteur	Évitez la surcharge du moteur lors de la coupe, éliminez la poussière du moteur pour assurer un refroidissement optimal du moteur.
Le trait de scie n'est pas net et pas droit	Lame de scie émoussée, forme des dents inadaptée à l'épaisseur du matériau	Ré-affûtez la lame de scie ou utilisez une lame adaptée
La pièce sciée est cassée ou présente des éclats	Pression sur la pièce trop élevée lors de la coupe ou lame de scie inadaptée	Utilisez une lame de scie adaptée.

16. Certificat de garantie

Chère Cliente, Cher Client,

Nos produits sont soumis à un contrôle de qualité très strict. Si cet appareil devait toutefois ne pas fonctionner impeccablement, nous en serions désolés. Dans un tel cas, nous vous prions de bien vouloir prendre contact avec notre service après-vente à l'adresse indiquée sur le bulletin de garantie ou vous adresser au marché de la construction le plus proche. Pour faire valoir une demande de garantie, ce qui suit est valable :

1. Les conditions de garantie règlent les prestations de garantie supplémentaires. Vos droits de garantie légaux ne sont en rien altérés par la garantie présente. Notre prestation de garantie est gratuite.
2. La prestation de garantie s'applique exclusivement aux défauts occasionnés par des vices de fabrication ou de matériau et est limitée à l'élimination de ces défauts ou encore au remplacement de l'appareil. Veillez au fait que nos appareils, conformément à leur affectation, n'ont pas été construits pour être utilisés dans un environnement professionnel, industriel ou artisanal. Un contrat de garantie ne peut avoir lieu dès lors que l'appareil est utilisé à des activités dans des entreprises professionnelles, artisanales ou industrielles ou toute autre activité du même genre. Sont également exclus de notre garantie : les prestations de substitution de dommages dus aux transports, les dommages occasionnés par le non-respect des instructions de montage ou en raison d'une installation non conforme, du non-respect du mode d'emploi (comme par exemple le raccordement à une mauvaise tension réseau ou à un mauvais type de courant), les applications abusives ou non conformes (comme par exemple une surcharge de l'appareil ou encore l'emploi d'accessoires non homologués), le non-respect des prescriptions de maintenance et de sécurité, l'infiltration de corps étrangers dans l'appareil (comme par exemple du sable, des pierres ou de la poussière), l'emploi de la force ou l'influence extérieure (comme par exemple les dommages dus à une chute), ainsi que l'usure normale conforme à l'utilisation. Ceci est particulièrement valable pour les accumulateurs pour lesquels nous offrons toutefois une période de garantie de 12 mois.

Le droit à la garantie disparaît dès lors que des interventions ont lieu sur l'appareil.

3. Le délai de garantie s'élève à 3 ans et commence à la date de l'achat de l'appareil. Les demandes de garanties doivent être présentées avant écoulement du délai de garantie, dans les deux semaines suivant le moment auquel le défaut a été reconnu. Toute reconnaissance de demande de garantie après écoulement du délai de garantie est exclue. La réparation ou l'échange de l'appareil n'entraîne nullement une prolongation de la durée de garantie. Elle ne fait pas non plus commencer un nouveau délai de garantie, en raison de cette prestation, pour l'appareil ou pour toute autre pièce de rechange intégrée. Ceci est également valable lorsqu'un service après-vente sur place a été consulté.
4. Pour faire valoir votre droit à la garantie, contactez le service après-vente à l'adresse indiquée ci-dessous. Si vous formulez votre réclamation pendant la période de validité de la garantie, nous vous ferons parvenir un bon de retour qui vous permettra de nous retourner sans frais l'appareil défectueux. Décrivez la raison de la réclamation le plus précisément possible. Si le défaut de l'appareil est compris dans notre prestation de garantie, nous vous retournerons sans délai un appareil réparé ou encore un nouveau.

Hotline du service (FR):

00800 4003 4003
(0,00 €/Min.)

Service-hotline (BE):

00800 4003 4003
(0,00 €/Min.)

Email du service (FR):

service.FR@schepbach.com

E-mailadres (BE):

service.BE@schepbach.com

Adresse du service (FR):

Schepbach France Strassburg
2, Impasse Jean Millot
FR - 6700 Strasbourg

Serviceadres (BE):

EURO Elektrowerkzeug- und Maschinen Service
Bürgerbuschweg 20
DE - 51381 Leverkusen



À l'adresse www.lidl-service.com, vous pouvez télécharger ce manuel et bien d'autres, les vidéos de produit et les logiciels d'installation.

Le QR-Code vous permet d'accéder directement à la page de service Lidl (www.lidl-service.com) et d'ouvrir votre notice d'utilisation à l'aide du numéro d'article (IAN) 373880_2104.

1.	Verklaring van de symbolen op het apparaat	45
2.	Inleiding	46
3.	Beschrijving van het toestel (afb. 1-13)	46
4.	Meegeleverd	47
5.	Beoogd gebruik	47
6.	Veiligheidsvoorschriften	47
7.	Technische gegevens	51
8.	Voor de ingebruikname	52
9.	Montage en bediening	53
10.	Vervoer (afb. 13)	55
11.	Onderhoud	55
12.	Opslag	55
13.	Elektrische aansluiting	55
14.	Afvalverwerking en hergebruik	56
15.	Verhelpen van storingen	57
16.	Garantiebewijs	58
17.	Explosietekening	90
18.	Conformiteitsverklaring	91

1. Verklaring van de symbolen op het apparaat



NL BE

Lees voorafgaand aan de inbedrijfstelling de gebruikshandleiding en de veiligheidsvoorschriften!



NL BE

Draag een veiligheidsbril



NL BE

Draag gehoorbescherming!



NL BE

Draag een stofmasker!



NL BE

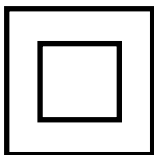
Let op! Gevaar voor letsel! Raak het draaiende zaagblad niet aan!



Achtung! - Laserstrahlung
Nicht in den Strahl blicken!
Laser Klasse 2
Laserspezifikation nach EN 60825-1:2014
λ = 650 nm P_e < 1 mW

NL BE

Let op! Laserstraling



NL BE

Beschermingsklasse II (dubbel geïsoleerd)

2. Inleiding

Fabrikant: scheppach

Fabrikation von Holzbearbeitungsmaschinen GmbH
Günzburger Straße 69
D-89335 Ichenhausen

Geachte klant,

Wij wensen u veel plezier en succes bij het werken met uw nieuwe apparaat.

Aanwijzing:

De fabrikant van dit apparaat is volgens de van kracht zijnde wet inzake productaansprakelijkheid niet aansprakelijk voor schade die aan dit apparaat of door dit apparaat ontstaan bij:

- ondeskundige behandeling,
- veronachtzaming van de instructies voor de bediening,
- reparaties door derden, niet geautoriseerde vakmensen,
- inbouw en vervanging van niet-originele onderdelen,
- niet doelmatig gebruik,
- uitvallen van de elektrische installatie bij het niet in acht nemen van de elektrische voorschriften en VDE-voorschriften 0100, DIN 57113 / VDE0113.

Let op:

Lees voor de montage en voor de ingebruikname de complete tekst van de gebruikshandleiding door.

De gebruiksaanwijzing is bedoeld om het gemakkelijker te maken, uw apparaat te leren kennen en de beoogde toepassingsmogelijkheden van het apparaat te benutten.

De gebruikshandleiding bevat belangrijke aanwijzingen, hoe u met het apparaat veilig, vakkundig en economisch werkt en hoe u gevaren vermijdt, reparatiekosten uitspaart, uitvaltijden vermindert en de betrouwbaarheid en levensduur van het apparaat verhoogt.

Aanvullend op de veiligheidsbepalingen van deze gebruikshandleiding moet u absoluut de voor de werking van het apparaat geldende voorschriften van uw land in acht nemen.

Bewaar de gebruiksaanwijzing bij het apparaat in een plastic hoes, beschermd tegen vuil en vocht. De gebruiksaanwijzing moet door elke bediener van het apparaat voor aanvang van het werk gelezen en zorgvuldig nageleefd worden.

Aan het apparaat mogen alleen personen werken, die voor het gebruik van het apparaat geïnstrueerd en over de daarmee verbonden gevaren geïnformeerd zijn. De vereiste minimumleeftijd moet aangehouden worden.

Naast de in deze gebruikshandleiding opgenomen veiligheidsvoorschriften en de bijzondere voorschriften van uw land moet u de algemeen erkende technische voorschriften in acht nemen voor de werking van machines van hetzelfde type.

Wij kunnen niet aansprakelijk worden gesteld voor ongevallen of schade, veroorzaakt door niet-naleving van deze handleiding of de veiligheidsvoorschriften.

3. Beschrijving van het toestel (afb. 1-13)

1. Aan/uit-schakelaar
 2. Blokkeerschakelaar
 3. Handgreep
 4. Machinekop
 5. Beweegbare zaagbladbescherming
 6. Zaagblad
 7. Borgschroef voor draaitafel
 8. Aanslagrail
 - 8a. Verschuifbare aanslagrail
 - 8b. Vastzetschroef
 9. Vaste zaagtafel
 10. Tafelinzetstuk
 11. Schaalverdeling
 12. Aanwijzer
 13. Draaitafel
 14. Vastzetschroef voor werkstuksteun
 15. Spaninrichting (werkstuklem)
 16. Vastzetschroef
 17. Spaanopvangzak
 18. Werkstuksteun
 19. Vastzetschroef voor spaninrichting
 20. Vastzetschroef voor kantelbeveiliging
 21. Standbeugel
 22. Justeerschroef (45°)
 - 22a. Borgmoer justeerschroef (45°)
 23. Vastzetschroef
 24. Klemgreep
 25. Borgbout
 26. Stelschroef (90°)
 - 26a. Borgmoer justeerschroef (90°)
 27. Schaalverdeling
 28. Aanwijzer
 29. Flensbout
 30. Buitenflens
 31. Geleidebeugel
 32. Zaagasblokkering
 33. Aan/uit-schakelaar laser
 34. Batterijdeksel
 35. Laser
 36. Schroef (laser)
 37. Transportgreep
- (A) 90° aanslagwinkelhaak (niet bij de omvang van de levering begrepen)
- (B) 45° aanslagwinkelhaak (niet bij de omvang van de levering begrepen)
- (C) Inbussleutel 6 mm
- (D) Binnenzeskantsleutel, 3 mm
- (E) Kruiskopschroef (tafelinzetstuk)

4. Meegeleverd

- Afkort- en verstekzaag
- Spaanopvangzak
- Werkstukkleem
- Inbussleutel 6 mm (C)
- Inbussleutel 3 mm (D)
- 2 werkstuksteunen
- Standbeugel
- 2 koolborstels
- 2 batterijen (AAA)
- Gebruikshandleiding

5. Beoogd gebruik

De afkort- en verstekzaag wordt gebruikt voor het afkorten van hout en kunststof, overeenkomstig de machinegrootte. De zaag is niet geschikt voor het zagen van brandhout.

Waarschuwing!

Gebruik het apparaat uitsluitend voor het zagen van materialen die in de gebruikshandleiding zijn gespecificeerd.

Waarschuwing!

Het meegeleverde zaagblad is uitsluitend bestemd voor het zagen van hout! Gebruik deze niet voor het zagen van brandhout!

De machine mag uitsluitend voor het voorgeschreven doel worden gebruikt. Elk ander of verdergaand gebruik is niet volgens de voorschriften. De gebruiker/bediener en niet de fabrikant is aansprakelijk voor ontstane schade of elke vorm van letsel.

Er mogen uitsluitend voor de machine geschikte zaagbladen worden gebruikt. Het gebruik van alle type snijwielen is verboden.

Ook de naleving van de veiligheidsvoorschriften, de montagehandleiding en de aanwijzingen in de gebruikshandleiding maken deel uit van het beoogd gebruik.

Personen die de machine bedienen of die onderhoud aan de machine verrichten, moeten hiermee bekend zijn en op de hoogte zijn van de mogelijke gevaren.

Bovendien moeten de van kracht zijnde voorschriften ter voorkoming van ongevallen strikt worden nageleefd.

Andere algemene arbo-, gezondheids- en veiligheidsvoorschriften moeten in acht worden genomen.

De fabrikant is niet aansprakelijk voor wijzigingen die aan de machine worden aangebracht en de hieruit voortvloeiende schade.

Ondanks beoogd gebruik kunnen bepaalde restrisicofactoren niet volledig worden vermeden. Op grond van de constructie en opbouw van de machine kan het volgende optreden:

- Aanraken van het zaagblad in het niet afgedekte zaaggebied.
- In het draaiende zaagblad grijpen (snijwonden).
- Terugslag van werkstukken en delen van werkstukken.
- Zaagbladbreuk.
- Wegslingeren van slechte hardmetalen delen van het zaagblad.
- Gehoorschade wanneer de vereiste gehoorbescherming niet wordt gedragen.
- Schadelijke emissies van houtstof bij gebruik in afgesloten ruimtes.

Let erop dat onze apparaten volgens het beoogd gebruik niet voor bedrijfsmatige, ambachtelijke of industriële toepassingen zijn ontworpen. Wij aanvaarden geen aansprakelijkheid wanneer het apparaat in bedrijfsmatige, ambachtelijke of industriële ondernemingen of bij soortgelijke werkzaamheden wordt ingezet.

6. Veiligheidsvoorschriften

Algemene veiligheidsvoorschriften voor elektrische apparaten

⚠ WAARSCHUWING! Lees alle veiligheidsvoorschriften, aanwijzingen, afbeeldingen en technische gegevens die bij dit elektrisch apparaat zijn meegeleverd. Het niet naleven van de veiligheidsvoorschriften en -aanwijzingen kunnen elektrische schok, brand en/of ernstige verwondingen veroorzaken.

Bewaar alle veiligheidsvoorschriften en -aanwijzingen voor toekomstig gebruik.

Het in de veiligheidsvoorschriften gebruikte begrip "Elektrisch gereedschap" is van toepassing op netgevoed elektrisch gereedschap (met netsnoer) of op accugevoed elektrisch gereedschap (zonder netsnoer).

1. Veiligheid op de werkplek

- Houd uw werkomgeving schoon en goed verlicht.** Rommel of slecht verlichte werkplaatsen kunnen leiden tot ongevallen.
- Werk met het elektrisch gereedschap niet in een explosiegevaarlijke omgeving, waarin zich brandbare vloeistoffen, gas of stof bevinden.** Elektrisch gereedschap kan vonken veroorzaken, die het stof of de dampen kunnen ontsteken.
- Houd kinderen en andere personen tijdens het gebruik uit de buurt van het elektrische gereedschap.** Bij afbuiging kunt u de controle over het elektrische apparaat verliezen.

2. Elektrische veiligheid

- De aansluitstekker van het elektrische gereedschap moet in het stopcontact passen.** De stekker mag op geen enkele wijze worden gewijzigd. Gebruik geen adapterstekker samen met geaard elektrisch gereedschap. Ongewijzigde stekkers en passende stopcontacten verminderen het risico op elektrische schok.
- Let op dat uw lichaam geen contact maakt met geaarde onderdelen zoals bijv. buizen, radiatoren, elektrische haarden, koelkasten. Er bestaat een verhoogd risico op een elektrische schok als uw lichaam geaard is.**
- Houd elektrisch gereedschap uit de buurt van regen of vocht.** Het indringen van water in een elektrisch apparaat vergroot het risico op een elektrische schok.

- d) **Gebruik het snoer niet om het elektrische gereedschap te dragen, aan op te hangen of om de stekker uit het stopcontact te trekken.** Houd het snoer uit de buurt van hitte, scherpe randen of bewegende delen. Beschadigde of opgewikkelde snoeren verhogen het risico op een elektrische schok.
- e) **Als u met een elektrisch gereedschap in de open lucht werkt, gebruik dan alleen een verlengsnoer dat ook geschikt is voor gebruik buitenshuis.** De toepassing van een voor buitenshuis gebruik geschikt verlengsnoer vermindert het risico op een elektrische schok.
- f) **Als het gebruik van het elektrische gereedschap in een vochtige omgeving niet kan worden vermeden, gebruik dan een aardlekschakelaar.** Het gebruik van een aardlekschakelaar voorkomt het risico op een elektrische schok.

3. Veiligheid van personen

- a) **Wees altijd voorzichtig, let op waar u mee bezig bent en ga verstandig te werk bij werkzaamheden met elektrisch gereedschap. Maak geen gebruik van elektrisch gereedschap als u moe bent of onder invloed bent van drugs, alcohol of medicamenten.** Een moment van onachtzaamheid bij gebruik van het elektrisch gereedschap kan leiden tot ernstig letsel.
- b) **Draag persoonlijke beschermingsmiddelen en ook altijd een veiligheidsbril.** Het dragen van persoonlijke beschermingsmiddelen zoals een stofmasker, antislip-veiligheidsschoenen, een helm of gehoorbescherming, al naar gelang het soort gereedschap en de toepassing ervan, verkleint het risico op verwondingen.
- c) **Voorkom onbedoelde inbedrijfstelling. Controleer of het elektrisch gereedschap is uitgeschakeld voordat u het op de stroomvoorziening en/of de accu aansluit, het gereedschap oppakt of draagt.** Als u tijdens het dragen van het apparaat met de vinger op de schakelaar zit of het elektrisch gereedschap ingeschakeld aan de netvoeding aansluit, kan dit tot ongelukken leiden.
- d) **Verwijder instelgereedschap of steeksleutels voordat u het elektrisch gereedschap inschakelt.** Een gereedschap of sleutel dat/die zich in een draaiend onderdeel van het elektrische gereedschap bevindt, kan verwondingen veroorzaken.
- e) **Voorkom een onnatuurlijke lichaamshouding. Zorg voor een stabiele positie en zorg ervoor dat u altijd stabiel staat.** Daardoor kunt u het elektrische gereedschap in onverwachte situaties beter onder controle houden.
- f) **Draag geschikte kleding. Draag geen wijde kleding of sieraden. Houd haren en kleding uit de buurt van bewegende delen.** Loszittende kleding, sieraden of lange haren kunnen worden vastgegrepen door bewegende delen.
- g) **Als stofafzuig- en -opvanginrichtingen kunnen worden gemonteerd, moeten deze worden aangesloten en juist worden toegepast.** Het gebruik van een stofafzuiging kan gevaar door stof verminderen.
- h) **Voorkom een vals gevoel van zekerheid en houd u altijd aan de veiligheidsvoorschriften voor elektrische apparaten, ook als u ervaren bent met het elektrisch apparaat.** Achteloos handelen kan in een fractie van een seconde tot ernstige verwondingen leiden.

4. Gebruik en behandeling van het elektrisch gereedschap

- a) **Zorg dat het elektrische gereedschap niet overbelast raakt.** Gebruik voor de werkzaamheden het daarvoor bedoelde elektrische gereedschap. Met het juiste elektrisch gereedschap werkt u beter en veiliger in het aangegeven vermogensbereik.
- b) **Gebruik geen elektrisch gereedschap, waarvan de schakelaar defect is. Een elektrisch gereedschap, dat niet meer in- of uitgeschakeld kan worden, is gevaarlijk en moet gerepareerd worden.**
- c) **Trek de stekker uit het stopcontact en/of verwijder de uitneembare accu voordat u de apparaatinstellingen wijzigt, inzetstukken vervangt of het elektrische apparaat weglegt.** Deze voorzorgsmaatregelen voorkomen dat het elektrische gereedschap onbedoeld start.
- d) **Bewaar ongebruikt elektrisch gereedschap buiten het bereik van kinderen.** Laat het elektrisch apparaat niet gebruiken door personen die er niet mee vertrouwd zijn of deze aanwijzingen niet hebben gelezen. Elektrische gereedschappen zijn gevaarlijk als deze door onervaren personen worden gebruikt.
- e) **Voer zorgvuldig onderhoud uit aan elektrische apparaten en inzetstukken.** Controleer of bewegende delen probleemloos functioneren en niet klemmen, of onderdelen gebroken of beschadigd zijn, waardoor de functie van het elektrische gereedschap wordt beïnvloed. Laat beschadigde onderdelen voor gebruik van het elektrische apparaat eerst repareren. Veel ongevallen ontstaan door slecht onderhouden elektrisch gereedschap.
- f) **Houd snijgereedschap scherp en schoon. Zorgvuldig onderhouden snijgereedschap met scherpe snijranden komt minder snel vast te zitten en is makkelijker te gebruiken.**
- g) **Gebruik elektrische apparaten, accessoires en inzetstukken, etc. overeenkomstig deze aanwijzingen.** Houd daarbij rekening met de omstandigheden waarin gewerkt wordt en de uit te voeren werkzaamheden. Het gebruik van elektrisch gereedschap voor andere toepassingen dan het voorgeschreven gebruik kan leiden tot gevaarlijke situaties.
- h) **Houd grepen en greepoppervlakken droog, schoon en vrij van olie en vet.** Als grepen en greepoppervlakken glad zijn, kan het elektrisch gereedschap in onvoorziene situaties niet veilig bediend en onder controle gehouden worden.

5. Service

- a) **Laat uw elektrisch gereedschap uitsluitend door gekwalificeerd deskundig personeel repareren met uitsluitend originele reserveonderdelen.** Hiermee blijft veilig gebruik van het elektrisch gereedschap gewaarborgd.

Waarschuwing!

Dit elektrisch apparaat genereert een elektromagnetisch veld als het is ingeschakeld. Dit veld kan onder bepaalde omstandigheden interfereren met actieve of passieve medische implantaten. Om het risico op ernstig of dodelijk letsel te beperken, raden we personen met medische implantaten aan om hun arts en de fabrikant van het medische implantaat te raadplegen voordat de machine wordt gebruikt.

Veiligheidsvoorschriften voor afkort- en verstekzagen

- a) **Afkort- en verstekzagen zijn bedoeld voor het zagen van hout en houtachtige materialen. Ze zijn niet geschikt voor het zagen van ijzerhoudende materialen, zoals staven, stangen, bouten enz.** Bewegende delen zoals de onderste beschermkap kunnen blokkeren door de schurende werking van het stof. Zaagvonken veroorzaken verbranding van de onderste beschermkap, de inlegplaat en andere kunststof onderdelen.
- b) **Zet het werkstuk indien mogelijk vast met klemmen. Als u het werkstuk met de hand vasthoudt, moet u uw hand altijd minimaal 100 mm verwijderd houden van elke zijde van het zaagblad. Zaag met deze zaag geen werkstukken die te klein zijn om vast te klemmen of met uw hand vast te houden.** Als uw hand te dicht bij het zaagblad is, bestaat er een verhoogd risico op letsel door contact met het zaagblad.
- c) **Het werkstuk mag niet kunnen worden bewogen en moet worden vastgeklemd of tegen de aanslag en de tafel worden aangedrukt. Duw het werkstuk niet in het zaagblad en zaag het nooit uit de vrije hand.** Losse en bewegende werkstukken kunnen met hoge snelheid worden weggeslingerd en letsel veroorzaken.
- d) **Beweeg de zaag door het werkstuk. Voorkom dat u de zaag door het werkstuk trekt. Om een zaagsnede te maken, moet u eerst de zaagkop omhoog bewegen en zonder te zagen over het werkstuk trekken. Schakel vervolgens de motor in, zwenk de zaagkop naar beneden en duw de zaag door het werkstuk.** Bij een trekkende zaagbeweging bestaat het risico dat het zaagblad bij het werkstuk omhoog komt en de gebruiker hard door de zaagbladenheid wordt geraakt.
- e) **Kom nooit met uw hand voorbij de beoogde zaaglijn, noch voor noch achter het zaagblad.** Het is erg gevaarlijk om het werkstuk met gekruiste handen te ondersteunen door het werkstuk met uw linkerhand rechts van het zaagblad vast te houden, of omgekeerd.
- f) **Kom niet met uw hand achter de aanslag als het zaagblad draait. Overschrijd nooit de veiligheidsafstand van 100 mm tussen uw hand en het draaiende zaagblad (dit geldt voor beide zijden van het zaagblad, bijv. om houtresten te verwijderen).** U hebt wellicht niet in de gaten dat uw hand zich dicht bij het draaiende zaagblad bevindt, wat ernstig letsel tot gevolg kan hebben.
- g) **Controleer het werkstuk vóór het zagen. Als het werkstuk gebogen of kromgetrokken is, moet u het met de naar buiten gekromde zijde op de aanslag vastklemmen. Zorg er altijd voor dat er langs de zaaglijn geen spleet is tussen het werkstuk, de aanslag en de tafel.** Gebogen of kromgetrokken werkstukken kunnen verdraaien of verschuiven, waardoor het draaiende zaagblad tijdens het zagen kan vastlopen. In het werkstuk mogen geen spijkers of andere vreemde objecten zitten.
- h) **Gebruik de zaag pas als er geen gereedschappen, houtresten en dergelijke meer op de tafel liggen; alleen het werkstuk mag op de tafel liggen.** Klein afvalresten, losse stukken hout en andere voorwerpen die met het draaiende zaagblad in contact komen, kunnen met hoge snelheid worden weggeslingerd.
- i) **Zaag altijd maar één werkstuk tegelijk.** Als er meerdere op elkaar gestapelde werkstukken worden gezaagd, kunnen ze niet goed vastgeklemd of vastgehouden worden, waardoor het zaagblad kan vastlopen of de werkstukken kunnen wegglijden.
- j) **Zorg ervoor dat de afkort- en verstekzaag vóór gebruik op een vlak en stevig werkoppervlak staat.** Een vlak en stevig werkoppervlak verkleint het risico op instabiliteit van de afkort- en verstekzaag.
- k) **Plan uw werkzaamheden. Let er bij het instellen van de zaagbladhelling of verstekhoek op dat de verstelbare aanslag correct is afgesteld en dat het werkstuk wordt ondersteund, zonder in contact te komen met het zaagblad of de beschermkap.** Simuleer, zonder werkstuk op de tafel en zonder de machine in te schakelen, een volledige zaagbeweging met het zaagblad om te controleren of er geen belemmeringen zijn en er geen gevaar is dat in de aanslag wordt gezaagd.
- l) **Bij werkstukken die breder of langer zijn dan het tafelblad, moet u voor voldoende ondersteuning zorgen, bijvoorbeeld met tafelverlengingen of zaagbokken.** Werkstukken die langer of breder zijn dan de tafel van de afkort- en verstekzaag, kunnen omkantelen als ze niet stevig worden ondersteund. Als een afgezaagd stuk hout of het werkstuk omkantelt, kan het de onderste beschermkap optillen of ongecontroleerd door het draaiende zaagblad worden weggeslingerd.
- m) **Zet geen andere personen in als vervanging van een tafelverlenging of extra ondersteuning.** Bij een instabiele ondersteuning van het werkstuk kan het zaagblad vastlopen. Ook kan het werkstuk dan tijdens de zaagbeweging verschuiven, waardoor u of uw assistent in het draaiende zaagblad wordt getrokken.

- n) **Het afgezaagde deel mag niet tegen het draaiende zaagblad worden gedrukt.** Als er weinig ruimte is, bijvoorbeeld bij gebruik van lengteaanslagen, kan het afgezaagde deel in het zaagblad vastklemmen en met geweld worden weggeslingerd.
- o) **Gebruik altijd een klem of een geschikte voorziening om ronde voorwerpen zoals staven of buizen naar behoren te ondersteunen.** Staven hebben de neiging om weg te rollen tijdens het zagen, waardoor het zaagblad zich vastgrijpt en het werkstuk met uw hand in het zaagblad kan worden getrokken.
- p) **Laat het zaagblad op volle snelheid komen voordat u het in het werkstuk zaagt.** Dit verkleint het risico dat het werkstuk wordt weggeslingerd.
- q) **Als het werkstuk wordt vastgeklemd of het zaagblad vastloopt, moet u de afkort- en verstekzaag uitschakelen. Wacht tot alle bewegende delen tot stilstand zijn gekomen, trek de stekker uit het stopcontact en/of verwijder de accu. Verwijder vervolgens het vastgeklemd materiaal.** Als u bij een dergelijk blokkering doorgaat met zagen, kunt u de controle verliezen of kan de afkort- en verstekzaag beschadigd raken.
- r) **Als de zaagsnede is voltooid, laat u de schakelaar los, houdt u de zaagkop omlaag en wacht u tot het zaagblad is gestopt voordat u het afgezaagde deel verwijdert.** Het is erg gevaarlijk om met uw hand in de buurt van het uitlopende zaagblad te komen.
- s) **Houd de handgreep stevig vast als u een onvolledige zaagsnede uitvoert of als u de schakelaar loslaat voordat de zaagkop de onderste positie heeft bereikt.** Door de remwerking van de zaag kan de zaagkop abrupt omlaag worden getrokken, wat tot verwonding kan leiden.

Veiligheidsvoorschriften voor de behandeling van zaagbladen

1. Gebruik geen beschadigde of vervormde zaagbladen.
2. Gebruik geen zaagbladen met barsten of scheuren. Gooi zaagbladen met barsten weg. Reparatie is niet toegestaan.
3. Gebruik geen zaagbladen die van sneldraaistaal zijn vervaardigd.
4. Controleer de staat van de zaagbladen voordat u de afkort- en verstekzaag gebruikt.
5. Gebruik uitsluitend zaagbladen die geschikt zijn voor het te zagen materiaal.
6. Gebruik uitsluitend de door de fabrikant aanbevolen zaagbladen. De zaagbladen moeten, als ze bedoeld zijn om hout of dergelijk materiaal te bewerken, voldoen aan EN 847-1.
7. Gebruik geen zaagbladen van hooggelegeerd sneldraaistaal (HSS).
8. Gebruik alleen zaagbladen waarvan het maximale toegestane toerental niet lager is dan het maximale spiltorental van de afkort- en verstekzaag en die geschikt zijn voor het te bewerken materiaal.
9. Let op de draairichting van het zaagblad.
10. Gebruik zaagbladen alleen dan, als u ook weet hoe u ermee om moet gaan.

11. Houd rekening met het maximale toerental. Het maximale toerental dat op het zaagblad staat vermeld, mag niet worden overschreden. Houd u, indien aangegeven, aan het toerentalbereik.
12. De klemoppervlakken moeten van vuil, vet, olie en water worden ontdaan.
13. Gebruik geen losse pasringen of -bussen om de boring van zaagbladen te verkleinen.
14. Zorg ervoor dat de bevestigde pasringen voor de boring van het zaagblad dezelfde diameter hebben en dat ze minimaal 1/3 van de snijdiameter hebben.
15. Zorg, dat bevestigde pasringen evenwijdig staan aan elkaar.
16. Wees voorzichtig bij het hanteren van de zaagbladen. Bewaar ze liefst in de originele verpakking of in speciale houders. Draag veiligheidshandschoenen om de grip te vergroten en de kans op persoonlijk letsel nog verder terug te dringen.
17. Controleer voordat u zaagbladen gebruikt, of de veiligheidsvoorzieningen correct zijn bevestigd.
18. Controleer vóór gebruik of het toegepaste zaagblad aan de technische eisen van deze afkort- en verstekzaag voldoet en of het op de juiste wijze bevestigd is.
19. Gebruik het meegeleverde zaagblad alleen voor het zagen van hout en nooit voor het bewerken van metalen.
20. Gebruik alleen zaagbladen met een diameter die op de zaag staat aangegeven.
21. Gebruik extra werkstuksteunen als dit nodig is voor de stabiliteit van het werkstuk.
22. De verlengstukken van de werkstuksteun moeten tijdens de werkzaamheden altijd bevestigd en gebruikt worden.
23. Vervang een versleten tafelinzetstuk!
24. Voorkom oververhitting van de zaagtanden.
25. Voorkom bij het zagen van kunststof dat de kunststof smelt. Gebruik hiervoor de juiste zaagbladen. Vervang beschadigde of versleten zaagbladen tijdig. Stop de machine als het zaagblad oververhit raakt. Laat het zaagblad afkoelen voordat u verder werkt met het elektrische gereedschap.



**Let op: Laserstraling
Niet in de laserstraal kijken
Laserklasse 2**



Bescherm uzelf en uw omgeving door het nemen van de juiste voorzorgsmaatregelen ten behoeve van ongevallenpreventie!

- Niet direct in de laserstraal kijken zonder oogbescherming.
- Nooit direct in de straalbundel kijken.
- Richt de laserstraal nooit op reflecterende oppervlakken en personen of dieren. Ook een laserstraal met een laag vermogen kan oogletsel veroorzaken.
- Let op! Als andere dan de hier aangegeven handelswijzen worden toegepast, kan dit tot een gevaarlijke stralingsexplosie leiden.
- Lasermodule nooit openen. Dit kan tot onverwachte blootstelling aan straling leiden.

- Als u het apparaat langere tijd niet gebruikt, moet u de accu's verwijderen.
- De laser mag niet door laser van een ander type worden vervangen.
- Reparaties aan de laser mogen uitsluitend door de fabrikant van de laser of een bevoegde dealer worden uitgevoerd.

Veiligheidsvoorschriften voor de omgang met accu's


1. Zorg er altijd voor dat de accu's met de juiste polariteit (+ en -) worden geplaatst, zoals aangegeven op de accu.
2. Voorkom dat de accu's worden kortgesloten.
3. Niet-oplaadbare accu's mag u niet opladen.
4. Voorkom dat de accu te veel wordt ontladen!
5. Combineer geen oude en nieuwe accu's of accu's van verschillende typen of fabrikanten! Vervang de set accu's gelijktijdig.
6. Verwijder lege accu's direct uit het apparaat en voer ze op de juiste wijze af! Gooi accu's niet bij het huishoudelijk afval. Defecte of verbruikte accu's moeten overeenkomstig richtlijn 2006/66/EC worden gerecycled. Lever accu's en/of het apparaat in bij de hiertoe bestemde afvalverwerkingsstations. U kunt bij uw gemeente of plaatselijke overheidsinstantie informatie krijgen over afvalverwijdering.
7. Accu's niet verwarmen!
8. Niet rechtstreeks op accu's solderen of lassen!
9. Accu's niet demonteren!
10. Accu's niet vervormen!
11. Accu's niet in open vuur werpen!
12. Bewaar accu's buiten het bereik van kinderen.
13. Voorkom dat kinderen zonder toezicht de accu's kunnen vervangen!
14. Bewaar accu's niet in de buurt van open vuur, kachels of andere warmtebronnen. Plaats de accu niet in direct zonlicht en gebruik of bewaar ze niet bij warm weer in de auto.
15. Bewaar ongebruikte accu's in hun originele verpakking en uit de buurt van metalen voorwerpen. Voorkom dat uitgepakte accu's worden gemengd of bij elkaar worden gelegd! Dit kan kortsluiting van de accu veroorzaken en beschadiging, brandwonden of zelfs brandgevaar tot gevolg hebben.
16. Verwijder de accu's uit het apparaat wanneer ze langere tijd niet wordt gebruikt, tenzij het gaat om noodgevallen!
17. Raak lekkende accu's NOOIT aan zonder adequate beschermingsuitrusting. Indien de gelekte vloeistof in aanraking komt met de huid, moet dat gebied van de huid onmiddellijk onder stromend water worden afgespoeld. Voorkom in ieder geval dat de vloeistof in aanraking komt met de ogen en de mond. Neem in dat geval onmiddellijk contact op met een arts.
18. Reinig de accupolen en de contactpunten in het apparaat voordat u de accu's plaatst.

Restrisico's

Het elektrisch apparaat is vervaardigd volgens de stand van de techniek en de erkende veiligheids-technische regels. Toch kan tijdens de werkzaamheden sprake zijn van enkele restrisico's.

- Gevaar voor de gezondheid, veroorzaakt door elektriciteit bij gebruik van onjuiste snoeren.
- Daarnaast kan er, ondanks alle voorzorgsmaatregelen, sprake zijn van niet-zichtbare restrisico's.
- De restrisico's kunnen tot een minimum worden beperkt wanneer aan de "Veiligheidsmaatregelen" en het "Gebruik volgens bestemming" wordt voldaan en de gebruiksaanwijzing in zijn geheel wordt opgevolgd.
- Voorkom onnodige belasting van de machine: als bij het zagen teveel druk wordt uitgeoefend, zal het zaagblad snel beschadigen, wat leidt tot geringere prestaties van de machine bij de verwerking en minder nauwkeurige zaagsnedes.
- Gebruik altijd klemmen wanneer u kunststof moet zagen: de te zagen delen moeten altijd met klemmen worden vastgezet.
- Voorkom dat u de machine onbedoeld inschakelt: als u de stekker in het stopcontact steekt, mag de startknop niet worden ingedrukt.
- Gebruik gereedschap dat in deze handleiding wordt aanbevolen. U verkrijgt dan optimale prestaties met uw machine.
- Houd uw handen buiten de werkomgeving, wanneer de machine in bedrijf is.
- Voordat u instel- of onderhoudswerkzaamheden uitvoert, laat u de startknop los en trekt u de stekker uit het stopcontact.

7. Technische gegevens

Wisselstroommotor.....	220 - 240 V~ 50Hz
Vermogen S1	1200 Watt
Bedrijfsmodus	S6 25%* 1500 W
Stationair toerental n_0	5000 min ⁻¹
Hardmetalen zaagblad	∅ 210 x ∅ 30 x 2,6 mm
Aantal tanden.....	48
Maximale tandbreedte van het zaagblad	3 mm
Dracibereik	-45° / 0° / +45°
Versteksnede.....	0° tot 45° naar links
Zaagbreedte bij 90°	120 x 60 mm
Zaagbreedte bij 45°	80 x 60 mm
Zaagbreedte bij 2 x 45° (dubbele versteksnede).....	80 x 35 mm
Beschermingsklasse	II / 
Gewicht.....	ca. 7,6 kg
Laserklasse.....	2
Aslengte laser	650 nm
Vermogen laser	< 1 mW

* Bedrijfsmodus S6, ononderbroken periodiek bedrijf. Het gebruik is opgebouwd uit een opstarttijd, een tijd met een constante belasting en een uitlooptijd. De cyclusduur bedraagt 10 minuten en de relatieve inschakelduur bedraagt 25% van de cyclustijd.

Het werkstuk moet minimaal een hoogte van 3 mm en een breedte van 10 mm hebben.

Zorg ervoor dat het werkstuk altijd met de klemrichting is geborgd.

Geluid

Het geluid van deze zaag is bepaald conform EN 62841.

Geluidsdruk niveau L_{pA}	99,6 dB(A)
Onzekerheid K_{pA}	3 dB
Geluidsvermogensniveau L_{WA}	112,6 dB(A)
Onzekerheid K_{WA}	3 dB

Draag gehoorbescherming.

Het effect van lawaai kan gehoorverlies zijn.

De opgegeven geluidsemissiewaarden zijn gemeten volgens een standaardtestmethode en kunnen worden gebruikt om elektrische apparaten met elkaar te vergelijken.

De aangegeven geluidsemissiewaarden kunnen ook worden gebruikt als eerste indicatie van de belasting.

Waarschuwing:

- De geluidsemissies kunnen van de opgegeven waarde afwijken wanneer de machine daadwerkelijk wordt gebruikt. Dit is afhankelijk van de wijze waarop het elektrisch apparaat wordt gebruikt en de aard van het werkstuk dat wordt bewerkt.
- Probeer om de belasting zo gering mogelijk te houden. Zo zijn er maatregelen om de werktijd te beperken. Hierbij moeten alle aspecten van de bedrijfscyclus in aanmerking worden genomen (zoals de tijd dat de machine uitgeschakeld is en de tijd dat deze ingeschakeld is, maar onbelast draait).

8. Voor de ingebruikname

- Open de verpakking en haal het apparaat er voorzichtig uit.
- Verwijder het verpakkingsmateriaal evenals de verpakkings- en transportbeveiligingen (indien voorhanden).
- Controleer of de inhoud van de levering volledig is.
- Controleer het apparaat en de hulpstukken op transport schade.
- Bewaar de verpakking indien mogelijk tot na het verstrijken van de garantietijd.

LET OP

Het apparaat en de verpakkingsmaterialen zijn geen kinderspeelgoed! Kinderen mogen niet met plastic zakken, folies en kleine onderdelen spelen! Er bestaat gevaar voor inslikken en verstikkingsgevaar!

Zorg altijd voor een stabiele positie en zekering van de machine, door deze bijv. op een werkbank te bevestigen.

- De machine moet stabiel staan. Zet de machine via de gaten in de vaste zaagtafel (9) stevig met 4 bouten (niet bij de levering inbegrepen) vast op een werkbank, onderstel of iets dergelijks.
- Voor ingebruikname moeten alle afdekkingen en veiligheidsvoorzieningen conform de voorschriften zijn gemonteerd.
- Het zaagblad moet vrij kunnen draaien.
- Let bij al bewerkt hout op vreemde voorwerpen, zoals bijv. spijkers of schroeven enz.

- Controleer, voordat u op de aan/uit-schakelaar drukt, of het zaagblad correct gemonteerd is en of de bewegende delen soepel lopen.
- Overtuig u voor het aansluiten van de machine, dat de gegevens op het typeplaatje overeenkomen met de netwerkgegevens.

8.1 Montage van de werkstukkleem (afb. 2)

- Draai de borgschroef (19) los en monteer de werkstukkleem (15) links of rechts van de bevestigde zaagtafel.
- Draai vervolgens de borgschroef (19) weer vast.

8.2 Montage van de werkstuksteunen (afb. 2 - 3)

- Draai de borgschroef (14) los en voer de werkstuksteun door het daartoe bestemde gat aan de zijkant van de vaste zaagtafel.
- Zorg ervoor dat de werkstuksteun (18) ook door beide ogen aan de onderkant wordt gevoerd.
- Draai vervolgens de borgschroef (14) weer vast.
- Herhaal deze procedure aan de andere kant.

8.3 Montage van de standbeugel (afb. 2 - 3)

- Draai de borgschroef (20) aan de onderkant van de zaag los en voer de standbeugel (21) door de daartoe bestemde gaten die aan de achterkant van de zaag.
- Draai vervolgens de borgschroef (20) weer vast.

8.4 Spaanopvangzak (afb. 4)

De zaag is voorzien van een opvangzak (17) voor spanen.

- Knijp de uiteinden van de metalen klem van de stofzak samen en breng de zak aan op de uitlaatopening bij de motor.
- De spaanzak (17) kan via de ritssluiting aan de onderkant worden leeggemaakt.

Externe stofafvoerinrichting

- Sluit de zuigslang op de stofafzuiging aan.
- Het afzuigstelsel moet geschikt zijn voor het te bewerken materiaal.
- Gebruik voor het afzuigen van bijzonder schadelijke of kankerverwekkende stofsoorten een speciale afzuiginrichting.

8.5 Veiligheidsvoorziening beweegbare zaagbladbescherming controleren (5)

De zaagbladbescherming biedt bescherming tegen onbedoeld contact met het zaagblad en tegen rondvliegende spanen.

Werking controleren.

Klap hiervoor de zaag naar beneden:

- De zaagbladbescherming moet het zaagblad bij het omhoog zwenken vrijgeven zonder andere delen aan te raken.
- Als de zaag naar de uitgangspositie omhoog wordt geklapt, moet de zaagbladbescherming automatisch het zaagblad afdekken.

9. Montage en bediening

9.1 Afkort- en verstekzaag monteren (afb. 1 - 3)

- De draaitafel (13) losdraaien door de borgschroef (7) los te draaien.
- Met de handgreep (3) de draaitafel (13) op de gewenste hoek instellen.

AANWIJZING

De afkortzaag kan met de draaitafel naar links en rechts gedraaid worden. Met de schaalverdeling is een nauwkeurige hoekinstelling mogelijk. De hoek van 0° tot 45° kan snel en nauwkeurig worden vastgezet op 15°, 22,5° en 30°.

- De borgschroef (7) weer vastdraaien om de draaitafel te fixeren.
- Door de machinekop (4) licht naar beneden te drukken en gelijktijdig de borgpen (25) uit de motorbeugel te trekken, wordt de zaag uit de onderste stand ontgrendeld.
- Draai de machinekop (4) omhoog.
- De klemrichting (15) kan zowel links als rechts aan de vaste zaagtafel (9) bevestigd worden. Steek de klemrichtingen (15) in de hiervoor bedoelde boorgaten aan de achterkant van de aanslagrail (8) en borg deze met behulp van de schroeven met stergreep (19).
- De machinekop (4) kan door de vastzetschroef (23) los te draaien, naar links tot max. 45° schuin geplaatst worden.
- Werkstukhouder (18) moeten altijd worden vastgezet en gebruikt tijdens het werk.

9.2 Fijne instelling van de aanslag voor kapsnede 90° (afb. 5)

De aanslagwinkelhaak is niet bij de levering begrepen.

- De machinekop (4) naar beneden laten zakken en met de borgpen (25) vastzetten.
- De borgschroef (23) losdraaien.
- De aanslaghoek (A) tussen zaagblad (6) en draaitafel (13) plaatsen.
- Draai de borgmoer (26a) los.
- De stelschroef (26) zover verstellen, tot de hoek tussen zaagblad (6) en draaitafel (13) 90° bedraagt.
- Draai de borgmoer (26a) weer vast.

9.3 Kapsnede 90° en draaitafel 0° (afb. 1/2/3/6)

Let op! De verschuifbare aanslagrails (8a) moeten voor afkortbewerkingen van 90° op de binnenste positie worden vastgezet.

- Open de vastzetschroef (8b) van de verschuifbare aanslagrail (8a) en schuif de verschuifbare aanslagrail (8a) naar binnen.
- De verschuifbare aanslagrails (8a) moeten zover voor de binnenste positie worden vastgezet, dat de afstand tussen de aanslagrails (8a) en het zaagblad (6) maximaal 8 mm bedraagt.
- Controleer vóór de zaagsnede of de aanslagrails (8a) en het zaagblad (6) niet met elkaar in botsing kunnen komen.
- Draai de vastzetschroeven (8b) weer vast.
- Machinekop (4) naar de bovenste stand brengen.
- Het te snijden hout tegen de aanslagrail (8) en op de draaitafel (13) leggen.
- Het materiaal met de spaninrichtingen (15) op de vaststaande zaagtafel (9) vastzetten, om verschuiven tijdens het zagen te voorkomen. Zie punt 9.12.

- Ontgrendel de blokkeerschakelaar (2) en druk op de aan/uit-schakelaar (1) om de motor in te schakelen.
- Met de handgreep (3) de machinekop (4) gelijkmatig en met lichte druk omlaag bewegen tot het zaagblad (6) het werkstuk heeft doorsneden.
- Na het zagen de machinekop terug naar zijn bovenste ruststand brengen en AAN / UIT-schakelaar (1) loslaten.

Let op!

Door de terughaalveer slaat de machine vanzelf omhoog, daarom de handgreep (3) aan het einde van de zaagsnede niet loslaten, maar de machinekop langzaam en onder lichte tegendruk omhoog bewegen.

9.4 Afkortsnede 90° en draaitafel 0° - 45° (afb. 1/2/3/6)

Met de afkort- en verstekzaag kunnen schuine zaagsneden naar links en rechts van 0° - 45° worden uitgevoerd.

Let op!

De verschuifbare aanslagrail (8a) moet voor 90° afkortsneden in de binnenste positie worden gefixeerd.

- Open de vastzetschroef (8b) van de verschuifbare aanslagrail (8a) en schuif de verschuifbare aanslagrail (8a) naar binnen.
- De verschuifbare aanslagrail (8a) moet zodanig voor de binnenste positie worden gearêteerd dat de afstand tussen aanslagrail (8a) en zaagblad (6) maximaal 8 mm bedraagt.
- Controleer voor het zagen dat tussen de aanslagrail (8a) en het zaagblad (6) geen botsing mogelijk is.
- Vastzetschroef (8b) terug aanhalen.
- De draaitafel (13) losdraaien door de borgschroef (7) los te draaien.
- Met de handgreep (3) de draaitafel (13) op de gewenste hoek instellen.
- De borgschroef (7) weer vastdraaien om de draaitafel te fixeren.
- De bewerking uitvoeren als onder punt 9.3 beschreven.

9.5 Nauwkeurig instellen van de aanslag voor versteksnede 45° (afb. 1/2/3/6/7/8)

De aanslagwinkelhaak is niet bij de levering begrepen.

- De machinekop (4) naar beneden laten zakken en met de borgpen (25) vastzetten.
- De draaitafel (13) op de 0°-stand fixeren.
- Let op! De linkerzijde van de verschuifbare aanslagrails (8a) moet voor versteksnedes (schuin geplaatste zaagkop) in de buitenste positie worden vastgezet.
- Open de borgschroef (8b) van de verschuifbare aanslagrail (8a) en schuif de verschuifbare aanslagrail (8a) naar buiten.
- De verschuifbare aanslagrail (8a) moet zodanig voor de binnenste positie worden gearêteerd dat de afstand tussen aanslagrail (8a) en zaagblad (6) maximaal 8 mm bedraagt.
- Controleer voor het zagen dat tussen de aanslagrail (8a) en het zaagblad (6) geen botsing mogelijk is.
- Draai de vastzetschroeven (8b) weer vast.
- De vastzetschroef (23) losdraaien en met de handgreep (3) de machinekop (4) naar links, schuin plaatsen op 45°.
- De 45°-aanslaghoek (B) tussen zaagblad (6) en draaitafel (13) plaatsen.

- Maak de borgmoer (22a) los en verstel de stelschroef (22) tot de hoek tussen zaagblad (6) en draaitafel (13) precies 45° bedraagt.
- Draai de borgmoer (22a) weer vast.
- Controleer ten slotte de positie van de hoekweergave. Indien nodig, de naald (28) met een kruiskopschroevendraaier losdraaien, op de 45°-positie van de hoekschaal (27) zetten en de borgschroef weer vastdraaien.

9.6 Versteksneede 0°- 45° en draaitafel 0° (afb. 1/2/3/6)

Met de afkort- en verstekzaag kunnen versteksnedes naar links van 0°- 45° ten opzichte van het werkoppervlak worden uitgevoerd.

Let op!

De linkerzijde van de verschuifbare aanslagrails (8a) moet voor versteksnedes (schuin geplaatste zaagkop) in de buitenste positie worden vastgezet.

Let op!

Voor versteksnedes van 0° tot 45° moet de spanrichting (werkstukkleem) (15) slechts aan rechts worden gemonteerd.

- Open de borgschroef (8b) van de verschuifbare aanslagrail (8a) en schuif de verschuifbare aanslagrail (8a) naar buiten.
- De verschuifbare aanslagrail (8a) moet zodanig voor de binnenste positie worden gearrêteerd dat de afstand tussen aanslagrail (8a) en zaagblad (6) maximaal 8 mm bedraagt.
- Controleer voor het zagen dat tussen de aanslagrail (8a) en het zaagblad (6) geen botsing mogelijk is.
- Fastzetschroef (8b) terug aanhalen.
- De machinekop (4) in de bovenste stand brengen.
- De draaitafel (13) op de 0°-stand fixeren.
- De vastzetschroef (23) losdraaien en met de handgreep (3) de machinekop (4) naar links, schuin plaatsen, tot de aanwijzer (28) naar de gewenste hoek van de schaalverdeling (27) wijst.
- De vastzetschroef (23) weer vastdraaien.
- De bewerking uitvoeren als onder punt 9.3 beschreven.

9.7 Versteksneede 0°- 45° en draaitafel 0°- 45° (afb. 1/2/3/6)

Met de afkort- en verstekzaag kunnen versteksnedes naar links van 0°- 45° ten opzichte van het werkoppervlak en tegelijk van 0°- 45° ten opzichte van de aanslagrail worden uitgevoerd (dubbele versteksneede).

Let op!

De verschuifbare aanslagrails (8a) moet voor versteksnedes (schuin geplaatste zaagkop) in de buitenste positie worden vastgezet.

Let op!

Voor versteksnedes van 0° tot 45° moet de spanrichting (werkstukkleem) (15) slechts aan rechts worden gemonteerd.

- Open de borgschroef (8b) van de verschuifbare aanslagrail (8a) en schuif de verschuifbare aanslagrail (8a) naar buiten.
- De verschuifbare aanslagrail (8a) moet zodanig voor de binnenste positie worden gearrêteerd dat de afstand tussen aanslagrail (8a) en zaagblad (6) maximaal 8 mm bedraagt.
- Controleer voor het zagen dat tussen de aanslagrail (8a) en het zaagblad (6) geen botsing mogelijk is.
- Vastzetschroef (8b) terug aanhalen.

- De machinekop (4) in de bovenste stand brengen.
- De draaitafel (13) losdraaien door de borgschroef (7) los te draaien.
- Met de handgreep (3) de draaitafel (13) op de gewenste hoek instellen.
- De borgschroef (7) weer vastdraaien om de draaitafel te fixeren.
- De vastzetschroef (23) losdraaien.
- Met de handgreep (3) de machinekop (4) naar links buiten en op de gewenste hoek van de schaal instellen (zie daartoe ook punt 9.6).
- De vastzetschroef (23) weer vastdraaien.
- De bewerking uitvoeren als onder punt 9.3 beschreven.

9.8 Verwisselen van zaagblad (afb. 1/2/3/9/10) Netstekker loskoppelen!

Let op!

Draag veiligheidshandschoenen bij het wisselen van het zaagblad! Gevaar voor letsel!

- De machinekop (4) naar boven zwenken en met de borgbout (25) vastzetten.
- Klap de zaagbladbescherming (5) zover omhoog dat de zaagbladbescherming (5) zich boven de flensbout (29) bevindt.
- Zet met de ene hand de binnenzeskant- of inbussleutel (C) op de flensbout (29).
- Inbussleutel (C) vasthouden en de zaagbladsteun (5) langzaam sluiten, tot deze tegen de inbussleutel (C) aan staat.
- Zaagasvergrendeling (32) hard indrukken en flensschroef (29) langzaam met de wijzers van de klok mee draaien. Na maximaal een hele slag klikt de zaagasvergrendeling (32) vast.
- Draai dan met wat meer kracht de flensschroef (29) met de wijzers van de klok mee los.
- Flensschroef (29) er helemaal uit draaien en buitenflens (30) wegnemen.
- Neem het zaagblad (6) van de binnenflens af en trek het naar beneden eruit.
- Flensschroef (29), buitenflens (30) en binnenflens zorgvuldig schoonmaken.
- Het nieuwe zaagblad (6) in omgekeerde volgorde monteren en aanhalen.
- Let op! De afschuining van de tanden, d.w.z. de draairichting van het zaagblad (6), moet overeenkomen met de richting van de pijl op het huis.
- Controleer voor het vervolgen van de werkzaamheden de werking van de veiligheidsvoorzieningen.
- Let op! Telkens na het verwisselen van zaagblad controleren of het zaagblad (6) al loodrecht staande alsook op 45° gekanteld in het tafelinzetstuk (10) vrij draait.

Let op!

Het verwisselen en richten van het zaagblad (6) dient naar behoren te worden uitgevoerd.

9.9 Vervangen van de laserbatterijen (afb. 11)

- Verwijder de batterijdeksel (34). Verwijder de 2 accu's.
- Vervang beide batterijen door dezelfde batterijen of een gelijkwaardig type. Let erop dat ze in dezelfde polariteitsrichting worden geplaatst als de oude batterijen.
- Sluit het batterijdeksel.

9.10 Laser in- en uitschakelen (afb. 11)

Inschakelen:

Aan/Uit-schakelaar (33) naar de stand "1" brengen. Een laserlijn wordt op het te bewerken stuk geprojecteerd die exact aangeeft langs waar het snijden dient te gebeuren.

Uitschakelen:

Aan/Uit-schakelaar naar de stand "0" brengen.

9.11 Justeren van de laser (afb. 12)

Wanneer de laser (35) niet meer de correcte snijlijn aangeeft kan die worden bijgesteld. Draai hiervoor de schroeven (36) los en stel de laser door zijdelingse verschuiving in zodat de laserstraal de snijtanden van het zaagblad (6) raakt.

9.12 Bediening van de werkstukkleem (afb. 1, 2)

Door het verstellen van de vastzetschroef (16) kan de werkstukkleem (15) in de hoogte worden veresteld.

- Laat de werkstukkleem op het werkstuk zakken.
- Haal de vastzetschroef (16) goed aan.
- Draai de klemgreep (24) rechtsom om het werkstuk vast te klemmen.
- Om het werkstuk los te maken, gaat u in omgekeerde volgorde te werk.

10. Vervoer (afb. 13)

- Vastzetgreep (7) aanhalen om de draaitafel (13) te vergrendelen.
- Machinekop (4) omlaagdrukken en arreteren d.m.v. de borgbout (25). De zaag is nu in de onderste positie vergrendeld.
- De machine aan de handgreep (37) dragen.
- Om de machine opnieuw op te bouwen gaat u te werk zoals beschreven onder 8 - 9.

11. Onderhoud

⚠ Waarschuwing!

Trek altijd de stekker uit het stopcontact voordat u instellings-, instandhoudings- of reparatiewerkzaamheden uitvoert!

Algemene onderhoudswerkzaamheden

Veeg van tijd tot tijd met een doek de spaanders en het stof van de machine. Olie om de levensduur van het apparaat te verlengen eenmaal per maand de draaiende delen. De motor niet oliën.

Gebruik voor de reiniging van de kunststof geen bijtende middelen.

Veiligheidsvoorziening beweegbare zaagbladbescherming (5) reinigen

Controleer voor ingebruikname altijd de zaagbladbescherming op vervuiling.

Verwijder oud zaagsel en oude houtsplinters met behulp van een borstel of een vergelijkbaar geschikt gereedschap.

Tafelinzetstuk vervangen (afb. 14)

Gevaar!

Als het tafelinzetstuk (10) beschadigd is, bestaat het risico dat kleine voorwerpen tussen het tafelinzetstuk en het zaagblad vast komen te zitten en het zaagblad blokkeren.

Vervang beschadigde tafelinzetstukken onmiddellijk!

1. Draai de schroeven (E) op het tafelinzetstuk los.
2. Verwijder het tafelinzetstuk.
3. Plaats een nieuw tafelinzetstuk.
4. Draai de schroeven (E) op het tafelinzetstuk vast.

Borstelinspectie

Controleer de borstels van de koolborstels bij een nieuwe machine na de eerste 50 bedrijfsuren, of wanneer er nieuwe borstels gemonteerd zijn. Controleer na de eerste controle om de 10 bedrijfsuren.

Wanneer de koolstof tot een lengte van 6 mm versleten is of de veer of shunt draad verbrand of beschadigd is, moet u beide borstels vervangen. Wanneer de borstels na het demonteren als inzetbaar beschouwd worden, kunt u ze weer inbouwen.

Open beide vergrendelingen linksom (zoals in afbeelding 15 weergegeven) om onderhoud aan de koolborstels te verrichten. Verwijder vervolgens de koolborstels.

Plaats de koolborstels in omgekeerde volgorde terug.

Service-informatie

Let op dat bij dit product de volgende delen onderhevig zijn aan gebruiksmatige of natuurlijke slijtage, resp. de volgende delen als verbruiksmateriaal wordt gebruikt.

Slijtstukken*: koolborstels, zaagblad, tafelinzetstukken, spaanopvangzakken

* niet persé in de leveringsomvang opgenomen!

12. Opslag

Sla het apparaat en de hulpstukken op een donkere, droge en vorstvrije plaats en voor kinderen ontoegankelijke plaats op. De optimale opslagtemperatuur ligt tussen 5 en 30°C.

Bewaar het elektrisch apparaat in de originele verpakking.

Dek het elektrisch apparaat af ter bescherming tegen stof en vocht.

Bewaar de gebruikshandleiding bij het elektrische apparaat.

13. Elektrische aansluiting

De geïnstalleerde elektromotor is bedrijfsklaar aangesloten. De aansluiting voldoet aan de relevante VDE- en DIN-voorschriften. De netaansluiting van de klant en het gebruikte verlengsnoer moeten eveneens aan deze voorschriften voldoen.

Belangrijke aanwijzingen

Bij overbelasting van de motor schakelt deze vanzelf uit. Na een afkoeltijd (deze tijd is verschillend) kan de motor weer worden ingeschakeld.

Defecte elektrische aansluitkabel

Bij elektrische aansluitkabels treedt vaak schade aan de isolatie op.

Mogelijke oorzaken zijn:

- Versleten plekken, als aansluitkabels door venster- of deuropeningen worden geleid.
- Knikken door een onakkundige bevestiging of geleiding van de aansluitkabel.
- Snijplekken omdat over de aansluitkabel is gereden.
- Beschadigde isolatie omdat de stekker uit het stopcontact is getrokken.
- Scheuren door veroudering van de isolatie.

Dergelijke defecte elektrische aansluitkabels mogen niet worden gebruikt en zijn levensgevaarlijk als de isolatie is beschadigd.

Controleer de elektrische aansluitkabels regelmatig op schade. Let erop dat bij het controleren de aansluitkabel niet op het elektriciteitsnet is aangesloten.

Elektrische aansluitkabels moeten aan de relevante VDE- en DIN-voorschriften voldoen. Gebruik uitsluitend netsnoeren met de aanduiding "H05VV-F".

Op de aansluitkabel moet de typeaanduiding vermeld staan.

Veiligheidsvoorschriften voor het vervangen van beschadigde of defecte netsnoeren

Type X:

Als het netsnoer van dit apparaat beschadigd is, moet dit worden vervangen door een speciaal uitgevoerd netsnoer, dat verkrijgbaar is bij de fabrikant of diens klantenservice.

Wisselstroommotor:

De netspanning moet 220 - 240 V~ zijn.

- Verlengsnoeren moeten tot een lengte van 25 m een doorsnede hebben van 1,5 vierkante millimeter.
- Aansluitingen en reparaties van de elektrische uitrusting mogen uitsluitend door een elektromonteur worden uitgevoerd.

Vermeld in geval van vragen de volgende gegevens:

- Stroomtype van de motor
- Gegevens van het typeplaatje van de motor

14. Afvalverwerking en hergebruik

Het apparaat zit in een verpakking om transportschade te voorkomen. Deze verpakking is een grondstof en kan dus opnieuw gebruikt worden of kan terugkeren in de kringloop van grondstoffen.

Het apparaat en de accessoires ervan bestaan uit verschillende soorten materiaal, zoals metaal en kunststoffen. Verwijder defecte componenten als speciaal afval. Informeer hiernaar bij uw speciaalzaak of bij de gemeente!



De verpakking is gemaakt van milieuvriendelijke materialen die u bij lokale recyclingcentra kunt inleveren.

Informatie over het afvoeren van versleten apparatuur kunt u opvragen bij uw gemeente.

Oude apparatuur mag niet bij het huisafval worden gegooid!



Dit symbool geeft aan dat dit product conform de richtlijn inzake verbruikte elektrische en elektronische apparatuur (2012/19/EU) en nationale wettelijke bepalingen niet bij het huishoudelijk vuil mag worden gegooid.

Dit product moet bij een hiervoor bestemde verzamelpunt worden afgegeven. Dit kan bijv. door teruggave bij de aanschaf van een soortgelijk product of door inlevering bij een erkend verzamelpunt voor het recyclen van verbruikte elektrische en elektronische apparatuur. Het onjuist handelen van oude apparatuur kan door mogelijke gevaarlijke stoffen, die veelal in verbruikte elektrische en elektronische apparatuur zijn verwerkt, negatieve effecten op het milieu en de gezondheid van de mens hebben. Door een juiste afvoer van dit product levert u bovendien een bijdrage aan een effectief gebruik van natuurlijke resources. Informatie inzake inzamelpunten voor verbruikte apparatuur kunt u opvragen bij de gemeente, de publieke afvalverwerker, een erkend afvalverwerkingsstation voor het afvoeren van verbruikte elektrische en elektronische apparatuur of uw afvalverwerkingsstation.

Batterijen en accu's horen niet bij het huishoudelijk afval!



Als gebruiker bent u wettelijk verplicht om alle batterijen en accu's, ongeacht of deze schadelijke stoffen* bevatten of niet, bij een inzamelpunt in uw gemeente/district of in de handel af te geven zodat ze milieuvriendelijk kunnen worden afgevoerd.

* aangeduid met: Cd = Cadmium, Hg = kwikzilver, Pb = lood
Haal de batterijen uit de laser voordat u het apparaat en de batterijen weggooit.

15. Verhelpen van storingen

Storing	Mogelijke oorzaak	Oplossing
De motor functioneert niet	Motor, kabel of stekker defect, Netzekering doorgebrand.	Laat de machine door een vakman controleren. Repareer de motor nooit zelf. Gevaar! Netzekeringen controleren, evt. vervangen
De motor draait langzaam en bereikt het bedrijfstoerental niet.	Spanning te laag, wikkelingen beschadigd of condensator doorgebrand.	Laat de spanning controleren door de energiemaatschappij. Laat de motor controleren door een vakman. Laat de condensator vervangen door een vakman.
De motor maakt te veel lawaai.	Wikkelingen beschadigd, motor defect.	Laat de motor controleren door een vakman.
De motor bereikt het maximale vermogen niet.	Groep van stroomnet overbelast (lampen, andere motoren enz.).	Gebruik geen andere apparaten of motoren op de groep.
Motor raakt snel oververhit.	Overbelasting van de motor, ontoereikende koeling van de motor.	Voorkom overbelasting van de motor tijdens het zagen, verwijder stof van de motor om een optimale koeling van de motor te garanderen.
Zaagsnede is ruw of gegolfd.	Zaagblad bot, tandvorm niet geschikt voor materiaaldikte.	Zaagblad slijpen of een geschikt zaagblad plaatsen.
Werkstuk breekt uit of versplintert.	Zaagdruk te hoog of zaagblad niet geschikt voor gebruik.	Plaats een geschikt zaagblad.

16. Garantiebewijs

Geachte klant,

onze producten zijn aan een strenge kwaliteitscontrole onderhevig. Mocht dit apparaat echter ooit niet naar behoren functioneren, spijt het ons ten zeerste en vragen u zich tot onze servicedienst onder het adres vermeld op dit garantiebewijs te wenden. Wij staan ook graag telefonisch tot uw dienst via het hieronder vermelde servicetelefoonnummer. Voor vorderingen in verband met garantie geldt het volgende:

- Deze garantievoorwaarden regelen bijkomende garantieprestaties. Uw wettelijke garantieclaims blijven onaangetast door deze garantie. Onze garantieprestatie is voor uw gratis.
- De garantieprestatie heeft uitsluitend betrekking op gebreken die te wijten zijn aan materiaal- of fabricagefouten en is beperkt tot het verhelpen van deze gebreken of het vervangen van het apparaat. Wij wijzen erop dat onze apparaten overeenkomstig hun bestemming niet geconstrueerd zijn voor commercieel, ambachtelijk of industrieel gebruik. Een garantieovereenkomst komt daarom niet tot stand als het apparaat in ambachtelijke of industriële bedrijven alsmede bij gelijk te stellen activiteiten wordt gebruikt. Uitgesloten van onze garantie zijn verder schadeloosstellingen voor transportschade, schade door nietnaleving van de montage-instructies of op grond van ondeskundige installatie, niet-naleving van de handleiding (zoals door b.v. aansluiting op een verkeerde netspanning of stroomsoort), oneigenlijke of onoordeelkundige toepassingen (zoals b.v. overbelasting van het apparaat of gebruik van niet toegestane inzetgereedschappen of toebehoren), niet-naleving van de onderhouds- en veiligheidsbepalingen, binnendringen van vreemde voorwerpen in het apparaat (zoals b.v. zand, stenen of stof), gebruikmaking van geweld of invloeden van buitenaf (zoals b.v. schade door neervallen) alsmede door normale slijtage die zich bij het doelmatig gebruik van het apparaat voordoet.

Er kan geen aanspraak op garantie worden gemaakt als op het apparaat reeds ingrepen werden uitgevoerd.

- De garantieperiode bedraagt 3 jaar en gaat in op de datum van aankoop van het apparaat. Garantieclaims dienen voor het verloop van de garantieperiode binnen de twee weken na het vaststellen van het defect geldend te worden gemaakt. Het geldend maken van garantieclaims na verloop van de garantieperiode is uitgesloten. De herstelling of vervanging van het apparaat leidt noch tot een verlenging van de garantieperiode noch wordt door deze prestatie een nieuwe garantieperiode voor het apparaat of voor eventueel ingebouwde wisselstukken op gang gebracht. Dit geldt ook bij het ter plaatse uitvoeren van een serviceactiviteit.
- Om een garantieclaim geldend te maken neem contact op met het hieronder vermelde serviceadres. Als de klacht binnen de garantieperiode valt, ontvangt u van ons een retourbon waarmee u uw defecte apparaat gratis naar ons kunt retourneren. Wij verzoeken u de reden van de klacht zo nauwkeurig mogelijk te beschrijven. Valt het defect van het apparaat binnen onze garantieprestatie bezorgen wij u per omgaande een hersteld of nieuw apparaat terug.

Uiteraard staan wij ook tot u dienst om mits betaling van de kosten defecten van het apparaat te verhelpen die buiten de garantieomvang vallen. Te dien einde stuurt u het apparaat aan ons serviceadres op.

Service-hotline / Hotline du service (NL/BE):

00800 4003 4003
(0,00 €/Min.)

E-mailadres / Email du service (NL):

service.NL@scheppach.com

E-mailadres / Email du service (BE):

service.BE@scheppach.com

Serviceadres / Adresse du service (NL/BE):

EURO Elektrowerkzeug- und Maschinen Service
Bürgerbuschweg 20
DE - 51381 Leverkusen



Op www.lidl-service.com kunt u deze en talloze andere handleidingen, productvideo's en installatiesoftware downloaden.

Met de QR-code komt u direct op de Lidl-Service-pagina (www.lidl-service.com) en kunt u met het invoeren van het artikelnummer (IAN) 373880_2104 uw gebruikshandleiding openen.

Περιεχόμενα:	Σελίδα:
1. Εξήγηση των συμβόλων πάνω στη συσκευή	60
2. Εισαγωγή	61
3. Περιγραφή της συσκευής (εικ. 1-13).....	61
4. Παραδοτέο υλικό.....	62
5. Προβλεπόμενη χρήση	62
6. Υποδείξεις ασφαλείας	62
7. Τεχνικά χαρακτηριστικά.....	67
8. Πριν από τη θέση σε λειτουργία	67
9. Τοποθέτηση και χειρισμός.....	68
10. Μεταφορά (εικ. 13)	71
11. Συντήρηση.....	71
12. Αποθήκευση.....	71
13. Ηλεκτρική σύνδεση	71
14. Απόρριψη και ανακύκλωση.....	72
15. Αντιμετώπιση προβλημάτων	73
16. Εγγυηση.....	74
17. Διευρυμένο σχέδιο.....	90
18. Δήλωση συμμόρφωσης	91

1. Εξήγηση των συμβόλων πάνω στη συσκευή



GR CY

Πριν θέσετε τη συσκευή σε λειτουργία, διαβάστε και τηρείτε τις οδηγίες χειρισμού και τις υποδείξεις ασφαλείας!



GR CY

Να φοράτε προστατευτικά γυαλιά!



GR CY

Να φοράτε προστασία ακοής!



GR CY

Σε περίπτωση εκπομπής σκόνης, να φοράτε προστασία αναπνοής!



GR CY

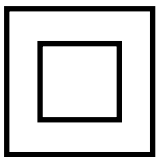
Προσοχή! Κίνδυνος τραυματισμού! Μην τοποθετείτε τα χέρια σας στην περιοχή της κινούμενης λάμας πριονιού!



Achtung! - Laserstrahlung
Nicht in den Strahl blicken!
Laser Klasse 2
Laserspezifikation nach EN 60825-1:2014
λ = 650 nm P < 1 mW

GR CY

Προσοχή! Ακτινοβολία λέιζερ



GR CY

Κλάση προστασίας II (Διπλή μόνωση)

2. Εισαγωγή

Κατασκευαστής: scherrach

Fabrikation von Holzbearbeitungsmaschinen GmbH
Günzburger Straße 69
D-89335 Ichenhausen

Αξιότιμε πελάτη,

Σας ευχόμαστε πολλή ευχαρίστηση και καλή επιτυχία κατά την εργασία με τη νέα σας συσκευή.

Υπόδειξη:

Ο κατασκευαστής αυτής της συσκευής δεν ευθύνεται σύμφωνα με τον ισχύοντα νόμο περί ευθύνης προϊόντων για ζημιές, που προκαλούνται σε αυτή τη συσκευή ή από αυτή τη συσκευή στις εξής περιπτώσεις:

- ακατάλληλος χειρισμός,
- παράβλεψη του εγχειριδίου χειρισμού,
- επισκευές από τρίτους, μη εξουσιοδοτημένους ειδικούς,
- τοποθέτηση και αντικατάσταση μη γνήσιων ανταλλακτικών,
- μη ενδεδειγμένη χρήση,
- βλάβες της ηλεκτρικής εγκατάστασης σε περίπτωση παράβλεψης των ηλεκτρικών κανόνων και των κανονισμών VDE 0100, DIN 57113 / VDE0113.

Προσέξτε:

Διαβάστε πριν από τη συναρμολόγηση και τη θέση σε λειτουργία όλο το κείμενο του εγχειριδίου χειρισμού.

Αυτές οι οδηγίες χειρισμού έχουν σκοπό να σας διευκολύνουν να γνωρίσετε τη συσκευή και να εκμεταλλευτείτε τις ενδεδειγμένες δυνατότητες χρήσης της.

Οι οδηγίες χειρισμού περιέχουν σημαντικές υποδείξεις για να εργάζεστε με τη συσκευή με ασφάλεια, σωστά και οικονομικά και για να αποφεύγετε κινδύνους, να εξοικονομήτε έξοδα επισκευής, να μειώνετε τους χρόνους αδυναμίας λειτουργίας και να αυξάνετε την αξιοπιστία και τη διάρκεια ζωής της συσκευής. Επιπρόσθετα στους κανόνες ασφαλείας στις παρούσες οδηγίες χειρισμού, πρέπει να λαμβάνετε οπωσδήποτε υπόψη σας τις διατάξεις που ισχύουν στη χώρα σας για τη λειτουργία της συσκευής.

Φυλάξτε τις οδηγίες χειρισμού σε ένα πλαστικό κάλυμμα προστατευμένες από ρύπους και υγρασία, κοντά στη συσκευή. Κάθε ένας από το προσωπικό χειρισμού πρέπει να τις διαβάσει και να τις τηρεί ευλαβικά πριν από την ανάληψη της εργασίας. Στη συσκευή επιτρέπεται να εργάζονται μόνο πρόσωπα, που έχουν ενημερωθεί για τη χρήση της συσκευής και γνωρίζουν τους κινδύνους που σχετίζονται με αυτή. Πρέπει να τηρείται το απαιτούμενο ελάχιστο όριο ηλικίας.

Εκτός από τις υποδείξεις ασφαλείας που αναφέρονται στο παρόν εγχειρίδιο οδηγιών χρήσης και τις ειδικές διατάξεις της χώρας σας, πρέπει να προσέχετε για τη λειτουργία μηχανημάτων παρόμοιας κατασκευής τους γενικά αναγνωρισμένους τεχνικούς κανόνες.

Δεν αναλαμβάνουμε καμία ευθύνη για ατυχήματα ή ζημιές που οφείλονται σε παράβλεψη αυτών των οδηγιών και των υποδείξεων ασφαλείας.

3. Περιγραφή της συσκευής (εικ. 1-13)

1. Διακόπτης ενεργοποίησης/ απενεργοποίησης
 2. Διακόπτης ασφάλισης
 3. Χειρολαβή
 4. Κεφαλή του εργαλείου
 5. Προστατευτικό λάμας πριονιού, κινητό
 6. Λάμα πριονιού
 7. Βίδα ακινητοποίησης για περιστρεφόμενη βάση
 8. Ράγα αναστολέα
 - 8a. Κινητή ράγα αναστολέα
 - 8b. Βίδα ακινητοποίησης
 9. Σταθερή βάση πριονιού
 10. Ένθετο βάσης
 11. Κλίμακα
 12. Δείκτης
 13. Περιστρεφόμενη βάση
 14. Βίδα ακινητοποίησης για υπόθεμα αντικειμένου εργασίας
 15. Διάταξη σύσφιξης (Σφιγκτήρας αντικειμένων εργασίας)
 16. Βίδα ακινητοποίησης
 17. Σάκος συλλογής ροκανιδιών
 18. Υπόθεμα αντικειμένου εργασίας
 19. Βίδα ακινητοποίησης για διάταξη σύσφιξης
 20. Βίδα ακινητοποίησης για προστασία έναντι ανατροπής
 21. Βάση στήριξης
 22. Βίδα προσαρμογής (45°)
 - 22a. Παξιμάδι ασφάλισης βίδα προσαρμογής (45°)
 23. Βίδα ακινητοποίησης
 24. Λαβή σύσφιξης
 25. Πείρος ασφάλισης
 26. Βίδα προσαρμογής (90°)
 - 26a. Παξιμάδι ασφάλισης βίδα προσαρμογής (90°)
 27. Κλίμακα
 28. Δείκτης
 29. Βίδα φλάντζας
 30. Εξωτερική φλάντζα
 31. Βραχίονας οδήγησης
 32. Ασφάλιση άξονα πριονιού
 33. Διακόπτης ενεργοποίησης/ απενεργοποίησης λείζερ
 34. Κάλυμμα της μπαταρίας
 35. Λείζερ
 36. Βίδα (Λείζερ)
 37. Λαβή μεταφοράς
- (A) Γωνία οδηγός 90° (δεν περιλαμβάνεται στο παραδοτέο υλικό)
- (B) Γωνία οδηγός 45° (δεν περιλαμβάνεται στο παραδοτέο υλικό)
- (C) Κλειδί Άλεν, 6 mm
- (D) Κλειδί Άλεν 3 mm
- (E) Σταυρόβιδα (ένθετο βάσης)

4. Παραδοτέο υλικό

- Φαλτσοπρίονο
- Σάκος ροκανιδιών
- Σφιγκτήρας αντικειμένων εργασίας
- Κλειδί Άλεν 6 mm (C)
- Κλειδί Άλεν 3 mm (D)
- 2 υποστηρίγματα τεμαχίου εργασίας
- Βάση στήριξης
- 2 ψήκτρες άνθρακα
- 2 μπαταρίες (AAA)
- Οδηγίες χρήσης/Οδηγίες λειτουργίας

5. Προβλεπόμενη χρήση

Το πριόνι εγκάρσιας κοπής-φαλτσοπρίονο χρησιμοποιείται για κοπή ξύλου και πλαστικών, ανάλογα με το μέγεθος του μηχανήματος. Το πριόνι δεν είναι κατάλληλο για κοπή καυσόξυλων.

Προειδοποίηση!

Μη χρησιμοποιήσετε τη συσκευή για την κοπή υλικών διαφορετικών από αυτά που περιγράφονται στις οδηγίες χειρισμού.

Προειδοποίηση!

Η λάμα πριονιού που συμπεριλαμβάνεται προορίζεται αποκλειστικά για την κοπή ξύλου! Μην τη χρησιμοποιείτε για την κοπή καυσόξυλων!

Το μηχάνημα επιτρέπεται να χρησιμοποιείται μόνο όπως προβλέπεται. Κάθε περαιτέρω χρήση πέραν αυτής θεωρείται μη προβλεπόμενη. Για ζημιές ή τραυματισμούς οποιουδήποτε είδους προκαλούμενες από αυτή, την ευθύνη φέρει ο χρήστης/χειριστής και όχι ο κατασκευαστής.

Επιτρέπεται να χρησιμοποιούνται μόνο λάμες πριονιού που είναι κατάλληλες για το μηχάνημα. Απαγορεύεται η χρήση δισκων σχισίματος κάθε είδους.

Συστατικό μέρος της ενδεδειγμένης χρήσης αποτελεί και η τήρηση των υποδείξεων ασφαλείας, καθώς και των οδηγιών συναρμολόγησης και των υποδείξεων λειτουργίας που υπάρχουν στις Οδηγίες χειρισμού.

Τα άτομα τα οποία χειρίζονται και συντηρούν το μηχάνημα πρέπει να είναι εξοικειωμένα με αυτό και να έχουν διδαχθεί σχετικά με τους ενδεχόμενους κινδύνους.

Επιπλέον, πρέπει να τηρούνται όσο το δυνατόν πιο αυστηρά οι ισχύοντες κανονισμοί πρόληψης ατυχημάτων.

Πρέπει να τηρούνται και οι λοιποί κανόνες στους τομείς της ιατρικής εργασίας και της τεχνικής ασφάλειας.

Οι τροποποιήσεις στο μηχάνημα αποκλείουν κάθε ευθύνη του κατασκευαστή για όσες ζημιές προκύψουν από αυτές.

Παρά την προβλεπόμενη χρήση μπορεί ορισμένοι υπολειπόμενοι παράγοντες κινδύνου να μην μπορούν να εξαλειφθούν πλήρως. Ανάλογα με την κατασκευή και τη δομή του μηχανήματος μπορεί να προκύψουν τα εξής σημεία:

- Επαφή με τη λάμα πριονιού στην μη καλυμμένη περιοχή της λάμας.
- Τοποθέτηση του χεριού στην περιοχή της κινούμενης λάμας πριονιού (τραυματισμός από κόψιμο).
- Ανάδραση με εκτίναξη αντικειμένου εργασίας και μερών αυτού.
- Θραύσεις λάμας πριονιού.
- Εκτόξευση ελαστωματικών τμημάτων σκληρού μετάλλου της λάμας πριονιού.
- Βλάβες της ακοής σε περίπτωση μη χρήσης της απαιτούμενης προστασίας ακοής.

- Επιβλαβείς για την υγεία εκπομπή σκόνης ξύλων σε περίπτωση χρήσης σε κλειστούς χώρους.

Παρακαλούμε να έχετε υπόψη σας ότι οι συσκευές μας κανονικά δεν έχουν σχεδιαστεί για εμπορική, βιοτεχνική ή βιομηχανική χρήση. Δεν αναλαμβάνουμε καμία ευθύνη αν η συσκευή χρησιμοποιηθεί σε εμπορικές, βιοτεχνικές ή βιομηχανικές επιχειρήσεις καθώς και σε παρόμοιες δραστηριότητες.

6. Υποδείξεις ασφαλείας

Γενικές υποδείξεις ασφαλείας για ηλεκτρικά εργαλεία

⚠ ΠΡΟΕΙΔΟΠΟΙΗΣΗ! Διαβάστε όλες τις υποδείξεις ασφαλείας, τις οδηγίες, τις απεικονίσεις και τα τεχνικά χαρακτηριστικά που ανήκουν στο ηλεκτρικό σας εργαλείο. Παραλείψεις κατά την τήρηση των υποδείξεων ασφαλείας και των οδηγιών μπορούν να προκαλέσουν ηλεκτροπληξία, φωτιά και/ή βαρείς τραυματισμούς.

Φυλάξτε όλες τις υποδείξεις ασφαλείας και τις οδηγίες για μελλοντική χρήση.

Ο όρος «ηλεκτρικό εργαλείο» που χρησιμοποιείται στις υποδείξεις ασφαλείας αναφέρεται σε ηλεκτρικά εργαλεία που λειτουργούν με ρεύμα (με καλώδιο ρεύματος) και σε ηλεκτρικά εργαλεία που λειτουργούν με επαναφορτιζόμενες μπαταρίες (χωρίς καλώδιο ρεύματος).

1. Ασφάλεια χώρου εργασίας

- α) Διατηρείτε το χώρο εργασίας καθαρό και καλά φωτισμένο.** Η ακαταστασία ή οι μη φωτισμένοι χώροι εργασίας μπορούν να γίνουν αιτίες ατυχημάτων.
- β) Μην εργάζεστε με το ηλεκτρικό εργαλείο σε δυνητικά εκρήξιμο περιβάλλον όπου βρίσκονται καύσιμα υγρά, αέρια ή σκόνες.** Τα ηλεκτρικά εργαλεία παράγουν σπινθήρες οι οποίοι μπορούν να προκαλέσουν ανάφλεξη της σκόνης ή των ατμών.
- γ) Κατά τη χρήση του εργαλείου κρατάτε μακριά παιδιά και άλλα άτομα.** Σε περίπτωση εκτροπής μπορεί να χάσετε τον έλεγχο του ηλεκτρικού εργαλείου.

2. Ασφαλής χρήση ηλεκτρικού ρεύματος

- α) Το φως ρευματοληψίας του ηλεκτρικού εργαλείου πρέπει να ταιριάζει στην πρίζα.** Δεν επιτρέπεται κανενός είδους τροποποίηση του φως. Μη χρησιμοποιείτε φως προσαρμογής με ηλεκτρικά εργαλεία που διαθέτουν προστασία μέσω γείωσης. Τα μη τροποποιημένα φως και οι κατάλληλες πρίζες μειώνουν τον κίνδυνο ηλεκτροπληξίας.
- β) Αποφεύγετε την επαφή του σώματος με γειωμένες επιφάνειες όπως σε σωλήνες, θερμαντικά σώματα, ηλεκτρικές κουζίνες και ψυγεία. Όταν το σώμα σας είναι γειωμένο, υπάρχει αυξημένος κίνδυνος από ηλεκτροπληξία.**
- γ) Διατηρείτε τα ηλεκτρικά εργαλεία μακριά από βροχή ή υγρασία.** Η διείσδυση νερού μέσα σε ένα ηλεκτρικό εργαλείο αυξάνει τον κίνδυνο ηλεκτροπληξίας.

- d) **Μην κακομεταχειρίζεστε τη γραμμή σύνδεσης για να μεταφέρετε ή να αναρτήσετε το ηλεκτρικό εργαλείο ή για να αποσυνδέσετε το φισ από την πρίζα.** Κρατάτε τη γραμμή σύνδεσης μακριά από υπερβολική θερμοκρασία, λάδι, αιχμηρές ακμές ή κινούμενα μέρη. Οι γραμμές σύνδεσης που έχουν υποστεί ζημιά ή είναι μπερδεμένες αυξάνουν τον κίνδυνο ηλεκτροπληξίας.
- e) **Όταν εργάζεστε με ένα ηλεκτρικό εργαλείο σε υπαίθριο χώρο, χρησιμοποιείτε μόνο αγωγούς επέκτασης που είναι και αυτοί κατάλληλοι για χρήση σε εξωτερικούς χώρους.** Η χρήση αγωγού επέκτασης κατάλληλου για χρήση σε εξωτερικούς χώρους μειώνει τον κίνδυνο ηλεκτροπληξίας.
- f) **Αν είναι αναπόφευκτη η λειτουργία του ηλεκτρικού εργαλείου σε περιβάλλον με υγρασία, χρησιμοποιείτε ένα ρελέ προστασίας από ρεύμα διαρροής.** Η χρήση ενός ρελέ προστασίας από ρεύμα διαρροής μειώνει τον κίνδυνο ηλεκτροπληξίας.

3. Ασφάλεια ατόμων

- a) **Πρέπει να είστε προσεκτικοί, να προσέχετε τι κάνετε και να χρησιμοποιείτε σύνεση κατά την εργασία με ένα ηλεκτρικό εργαλείο. Μην χρησιμοποιείτε ηλεκτρικό εργαλείο όταν είστε κουρασμένοι ή υπό την επίδραση ναρκωτικών, οινόπνευματος ή φαρμάκων.** Μία στιγμή απροσεξίας κατά τη χρήση του ηλεκτρικού εργαλείου μπορεί να οδηγήσει σε σοβαρούς τραυματισμούς.
 - b) **Φοράτε ατομικό εξοπλισμό προστασίας και πάντα προστατευτικά γυαλιά.** Η χρήση ατομικού εξοπλισμού προστασίας, όπως μάσκα προστασίας από σκόνη, αντιολισθητικών υποδημάτων ασφαλείας, προστατευτικού κράνους ή προστασίας από θόρυβο, ανάλογα με το είδος και τη χρήση του ηλεκτρικού εργαλείου, μειώνει τον κίνδυνο σωματικών βλαβών.
 - c) **Αποφεύγετε την ακούσια θέση σε λειτουργία. Να βεβαιώνετε ότι το ηλεκτρικό εργαλείο είναι απενεργοποιημένο πριν το συνδέσετε στην τροφοδοσία ρεύματος και/ή συνδέσετε την επαναφορτιζόμενη μπαταρία, το πάρετε στα χέρια σας ή το μεταφέρετε.** Αν κατά τη μεταφορά του ηλεκτρικού εργαλείου έχετε το δάκτυλο στο διακόπτη ή αν συνδέσετε το εργαλείο στην τροφοδοσία ρεύματος ενώ είναι ενεργοποιημένο, μπορεί να προκληθούν ατυχήματα.
 - d) **Απομακρύνετε εργαλεία ρύθμισης ή κλειδιά βιδώματος πριν ενεργοποιήσετε το ηλεκτρικό εργαλείο.** Ένα εργαλείο ή κλειδί το οποίο βρίσκεται σε ένα περιστρεφόμενο μέρος του ηλεκτρικού εργαλείου μπορεί να προκαλέσει τραυματισμούς.
 - e) **Αποφεύγετε οποιαδήποτε αφύσικη στάση σώματος. Να φροντίζετε για ασφαλή στήριξη στα πόδια σας και να διατηρείτε πάντα την ισορροπία σας.** Με αυτόν τον τρόπο μπορείτε να ελέγχετε καλύτερα το ηλεκτρικό εργαλείο σε μη αναμενόμενες καταστάσεις.
 - f) **Φοράτε κατάλληλο ρουχισμό. Μην φοράτε φαρδιά ρούχα ή κοσμήματα. Κρατάτε τα μαλλιά και τα ρούχα μακριά από κινούμενα μέρη.** Τα πιο άνετα ρούχα, τα κοσμήματα ή τα μακριά μαλλιά μπορεί να πιαστούν από κινούμενα μέρη.
 - g) **Αν μπορούν να χρησιμοποιηθούν διατάξεις αναρρόφησης και συλλογής σκόνης, βεβαιωθείτε ότι είναι συνδεδεμένες και ότι χρησιμοποιούνται σωστά.** Η χρήση μιας διάταξης αναρρόφησης σκόνης μπορεί να μειώσει τους κινδύνους από τη σκόνη.
 - h) **Μην έχετε ψευδή αίσθηση της ασφάλειας και μην αφήφατε τους κανόνες ασφαλείας για ηλεκτρικά εργαλεία, ακόμα και αν έχετε εξοικειωθεί με το ηλεκτρικό εργαλείο μετά από επανειλημμένη χρήση του.** Οι απρόσεκτοι χειρισμοί μπορούν σε κλάσματα του δευτερολέπτου να επιφέρουν σοβαρούς τραυματισμούς.
- ### 4. Χρήση και μεταχείριση του ηλεκτρικού εργαλείου
- a) **Μην υπερκαταπονείτε το ηλεκτρικό εργαλείο.** Χρησιμοποιείτε για την εργασία σας το ηλεκτρικό εργαλείο που προορίζεται για αυτή. Με το κατάλληλο ηλεκτρικό εργαλείο εργάζεστε καλύτερα και με ασφάλεια στην προβλεπόμενη περιοχή ισχύος.
 - b) **Μη χρησιμοποιήσετε ποτέ ηλεκτρικό εργαλείο του οποίου ο διακόπτης παρουσιάζει βλάβη. Ένα ηλεκτρικό εργαλείο που δεν μπορεί πλέον να ενεργοποιηθεί ή να απενεργοποιηθεί, είναι επικίνδυνο και πρέπει να επισκευαστεί.**
 - c) **Αφαιρέστε το φισ από την πρίζα και/ή αφαιρέστε την αφαιρούμενη επαναφορτιζόμενη μπαταρία πριν πραγματοποιήσετε ρυθμίσεις στη συσκευή, αλλάζετε ένθετο εργαλείο ή αφήσετε το ηλεκτρικό εργαλείο.** Αυτά τα μέτρα προσοχής αποτρέπουν την αθέλητη εκκίνηση του ηλεκτρικού εργαλείου.
 - d) **Φυλάσσετε μακριά από παιδιά τα ηλεκτρικά εργαλεία που δεν χρησιμοποιείτε.** Μην αφήνετε να χρησιμοποιεί το ηλεκτρικό εργαλείο κανένα άτομο που δεν είναι εξοικειωμένο με αυτό ή δεν έχει διαβάσει τις παρούσες οδηγίες. Τα ηλεκτρικά εργαλεία είναι επικίνδυνα αν χρησιμοποιούνται από άτομα με απειρία.
 - e) **Φροντίζετε με επιμέλεια τα ηλεκτρικά εργαλεία και το ένθετο εργαλείο.** Ελέγχετε αν τα κινητά μέρη λειτουργούν άψογα χωρίς να κολλούν, αν υπάρχουν εξαρτήματα που έχουν σπάσει ή έχουν υποστεί ζημιά τέτοια που να επηρεάζεται η λειτουργία του ηλεκτρικού εργαλείου. Αναθέτετε πριν τη χρήση του ηλεκτρικού εργαλείου την επισκευή των εξαρτημάτων που έχουν υποστεί ζημιά. Πολλά ατυχήματα έχουν την αιτία τους σε κακοσυντηρημένα ηλεκτρικά εργαλεία.
 - f) **Διατηρείτε τα κοπτικά εργαλεία αιχμηρά και καθαρά. Τα προσεκτικά φροντισμένα κοπτικά εργαλεία με κοφτερές αιχμές έχουν μικρότερη τάση για σφήνωμα και είναι ευκολότερο να καθοδηγηθούν.**
 - g) **Χρησιμοποιείτε το ηλεκτρικό εργαλείο, τα αξεσουάρ, τα ένθετα εργαλεία κλπ. σύμφωνα με τις οδηγίες τους.** Επίσης λαμβάνετε υπόψη σας τις συνθήκες εργασίας και την δραστηριότητα που πρόκειται να εκτελεστεί. Η χρήση ηλεκτρικών εργαλείων για εφαρμογές άλλες από τις προβλεπόμενες μπορεί να οδηγήσει σε επικίνδυνες καταστάσεις.

h) **Κρατάτε τις λαβές και τις επιφάνειες κρατήματος στεγνές, καθαρές και απαλλαγμένες από λάδια και γράσα.** Οι ολισθηρές λαβές και οι επιφάνειες κρατήματος δεν επιτρέπουν ασφαλή χειρισμό και έλεγχο του ηλεκτρικού εργαλείου σε απρόβλεπτες καταστάσεις.

5. Σέρβις

a) **Αναθέτετε την επισκευή του ηλεκτρικού εργαλείου σας μόνο σε πιστοποιημένο ειδικό προσωπικό και μόνο με γνήσια ανταλλακτικά.** Με αυτόν τον τρόπο διασφαλίζετε ότι δεν θα διακυβευτεί η ασφάλεια του ηλεκτρικού εργαλείου.

Προειδοποίηση!

Αυτό το ηλεκτρικό εργαλείο παράγει ηλεκτρομαγνητικό πεδίο κατά τη διάρκεια της λειτουργίας του. Αυτό το πεδίο υπό ορισμένες περιστάσεις μπορεί να επηρεάσει ενεργά ή παθητικά ιατρικά εμφυτεύματα. Για να μειώσετε τον κίνδυνο σοβαρών ή θανατηφόρων τραυματισμών, συνιστούμε σε άτομα με ιατρικά εμφυτεύματα να συμβουλευθούν το γιατρό τους και τον κατασκευαστή του ιατρικού εμφυτεύματος, πριν το χειρισμό του ηλεκτρικού εργαλείου.

Υποδείξεις ασφαλείας για φалтσοπρίονα

- a) Τα φалтσοπρίονα προορίζονται για την κοπή ξύλου ή παρόμοιων προϊόντων και δεν μπορούν να χρησιμοποιηθούν για την κοπή υλικών που περιέχουν σίδηρο όπως ραγών, ράβδων, βιδών κλπ. Σκόνη που έχει λειαντικές ιδιότητες προκαλεί μπλοκάρισμα κινητών μερών όπως είναι η κάτω προστατευτική καλύπτρα. Οι σπινθήρες που παράγονται κατά την κοπή θα κάψουν την κάτω προστατευτική καλύπτρα, την ένθετη πλάκα και άλλα πλαστικά εξαρτήματα.
- b) **Αν είναι εφικτό στερεώνετε το αντικείμενο εργασίας με σφιγκτήρες. Αν πρέπει να συγκρατήσετε το αντικείμενο εργασίας με το χέρι, πρέπει να κρατάτε πάντα το χέρι σας σε απόσταση τουλάχιστον 100 mm από κάθε πλευρά της λεπίδας πριονιού. Μη χρησιμοποιείτε αυτό το πριόνι για να κόβετε αντικείμενα που είναι πολύ μικρά για να τα συσφίξετε ή να τα κρατάτε με ασφάλεια με το χέρι.** Αν το χέρι σας είναι πολύ κοντά στη λάμα πριονιού, υπάρχει αυξημένος κίνδυνος τραυματισμού από την επαφή με τη λάμα πριονιού.
- c) **Το αντικείμενο εργασίας πρέπει να είναι ακίνητο και είτε να στερεώνεται με σύσφιξη είτε να πιέζεται πάνω στον αναστολέα και στη βάση. Μη σπρώχνετε το αντικείμενο εργασίας προς τη λάμα πριονιού και ποτέ μην κόβετε «ελεύθερα με το χέρι».** Τα ασύνδετα ή κινητά αντικείμενα εργασίας θα μπορούσαν να εκτοξευτούν με μεγάλη ταχύτητα και να προκαλέσουν τραυματισμούς.
- d) **Σπρώχνετε το πριόνι για να περάσει από το αντικείμενο εργασίας. Αποφεύγετε να τραβάτε το πριόνι για να περάσει από το αντικείμενο εργασίας. Όταν θέλετε να πραγματοποιήσετε μια κοπή, πρώτα ανυψώστε την κεφαλή πριονιού και τραβήξτε την μέσα από το αντικείμενο εργασίας χωρίς να το κόψετε. Κατόπιν ενεργοποιήστε το μοτέρ, στρέψτε την κεφαλή πριονιού**

προς τα κάτω και πιέστε το πριόνι για να διαπεράσει το αντικείμενο εργασίας. Σε περίπτωση κοπής με έλξη υπάρχει ο κίνδυνος να ανέβει η λάμα πριονιού πάνω στο αντικείμενο εργασίας και η μονάδα λάμας πριονιού να εκτιναχτεί βίαια πάνω στον χειριστή.

- e) **Μην περνάτε ποτέ το χέρι πάνω από την προβλεπόμενη γραμμή κοπής, ούτε μπροστά ούτε πίσω από τη λεπίδα πριονιού.** Η υποστήριξη του αντικείμενου εργασίας «με σταυρωτά τα χέρια», δηλ. το να κρατάτε το αντικείμενο εργασίας δεξιά δίπλα στη λεπίδα πριονιού με το αριστερό χέρι ή αντίστροφα, είναι πολύ επικίνδυνο.
- f) **Όταν περιστρέφεται η λεπίδα πριονιού, ποτέ μη βάζετε το χέρι σας πίσω από τον αναστολέα. Ποτέ μην πλησιάζετε το χέρι σας στην περιστρεφόμενη λεπίδα πριονιού πιο κοντά από μια απόσταση ασφαλείας 100 mm (ισχύει και για τις δύο πλευρές της λεπίδας πριονιού, π.χ. κατά την απομάκρυνση άχρηστων κομματιών ξύλου).** Η προσέγγιση της περιστρεφόμενης λάμας πριονιού προς το χέρι σας ενδεχομένως δεν μπορεί να γίνει αντιληπτή και μπορεί να τραυματιστείτε βαριά.
- g) **Ελέγχετε το αντικείμενο εργασίας πριν την κοπή. Αν το αντικείμενο εργασίας είναι λυγισμένο ή στρεβλωμένο, σφίξτε το με την προς τα έξω καμπυλωμένη πλευρά προς τον αναστολέα. Να βεβαιώνετε πάντα ότι κατά μήκος της γραμμής κοπής δεν υπάρχει κανένα διάκενο ανάμεσα στο αντικείμενο εργασίας, στον αναστολέα και στη βάση.** Τα αντικείμενα εργασίας που είναι λυγισμένα ή στρεβλωμένα μπορεί να περιστραφούν ή να μετατοπιστούν και να προκαλέσουν κόλλημα της περιστρεφόμενης λεπίδας πριονιού κατά την κοπή. Δεν επιτρέπεται να υπάρχουν καρφιά ή ξένα σώματα μέσα στο αντικείμενο εργασίας.
- h) **Χρησιμοποιείτε το πριόνι μόνο αν το τραπέζι είναι απαλλαγμένο από εργαλεία, υπολείμματα ξύλου κλπ. - μόνο το αντικείμενο εργασίας επιτρέπεται να βρίσκεται πάνω στο τραπέζι.** Μικρά απόβλητα κομμάτια, μη συσφιγμένα κομμάτια ξύλου ή άλλα αντικείμενα, αν έρθουν σε επαφή με την περιστρεφόμενη λάμα, μπορούν να εκτοξευτούν με υψηλή ταχύτητα.
- i) **Κόβετε ένα μόνο αντικείμενο εργασίας τη φορά.** Τα αντικείμενα εργασίας που είναι στοιβαγμένα το ένα πάνω στο άλλο δεν μπορούν να συσφιχτούν ή να συγκρατηθούν σωστά και μπορεί κατά την κοπή να προκαλέσουν κόλλημα της λεπίδας ή να γλιστρήσουν.
- j) **Προσέχετε ώστε πριν τη χρήση το φалтσοπρίονο να βρίσκεται πάνω σε μια επίπεδη και σταθερή επιφάνεια εργασίας.** Μια επίπεδη και σταθερή επιφάνεια εργασίας μειώνει τον κίνδυνο αποσταθεροποίησης του φалтσοπρίονου.
- k) **Σχεδιάζετε εκ των προτέρων την εργασία σας. Προσέχετε σε κάθε ρύθμιση της κλίσης της λάμας πριονιού ή της γωνίας λοξής κοπής ώστε ο κινητός αναστολέας να έχει ρυθμιστεί σωστά και να υποστηρίζει το αντικείμενο εργασίας, χωρίς να έρχεται σε επαφή με τη λάμα ή με την προστατευτική καλύπτρα.** Χωρίς να ενεργοποιήσετε το μηχάνημα και χωρίς αντικείμενο εργασίας πάνω στη βάση πρέπει να προσομοιώσετε μια πλήρη κίνηση κοπής της λάμας πριονιού, για να διασφαλίσετε ότι δεν θα προκύψουν εμπόδια ή ο κίνδυνος κοπής του αναστολέα.

- l) Σε περίπτωση αντικειμένων εργασίας τα οποία είναι πλατύτερα ή μακρύτερα από την πάνω πλευρά του τραπεζιού, προσέχετε να παρέχετε κατάλληλο στήριγμα, π.χ. με χρήση επεκτάσεων τραπεζιού ή ειδικών καβαλέτων. Τα αντικείμενα εργασίας που είναι μακρύτερα ή πλατύτερα από τη βάση του φάλτσοπριονίου μπορούν να ανατραπούν αν δεν στηρίζονται σταθερά. Σε περίπτωση που ανατραπεί ένα κομμάτι ξύλο που έχει αποκοπεί ή το αντικείμενο εργασίας, αυτό μπορεί να ανυψώσει την κάτω προστατευτική καλύπτρα ή να εκτοξευτεί εκτός ελέγχου από την περιστρεφόμενη λάμα.
- m) **Μη χρησιμοποιήσετε ποτέ άλλο άτομο ως υποκατάστατο επέκτασης βάσης ή ως πρόσθετο στήριγμα.** Μια ασταθής στήριξη του αντικείμενου εργασίας μπορεί να προκαλέσει κόλλημα της λάμας. Επίσης μπορεί το αντικείμενο εργασίας να μετακινηθεί κατά τη διάρκεια της κοπής και να τραβήξει τον βοηθό προς την περιστρεφόμενη λάμα.
- n) **Το κομμάτι που έχει αποκοπεί δεν επιτρέπεται να πιέζεται προς την περιστρεφόμενη λάμα πριονιού.** Αν υπάρχει λίγος χώρος, π.χ. σε περίπτωση χρήσης διαμήκων αναστολέων, μπορεί το αποκομμένο κομμάτι να σφηνώσει στη λάμα και να εκτιναχτεί βίαια.
- o) **Χρησιμοποιείτε πάντα έναν σφιγκτήρα ή κατάλληλη διάταξη για να υποστηρίξετε σωστά υλικό με κυκλική διατομή όπως ράβδους ή σωλήνες.** Οι ράβδοι τείνουν κατά την κοπή να κυλούν και να απομακρύνονται και τότε η λάμα μπορεί να «μαγκώσει» και το αντικείμενο εργασίας με το χέρι σας μπορεί να τραβηχτεί προς τη λάμα.
- p) **Αφήστε να φθάσει η λάμα την πλήρη ταχύτητα περιστροφής της πριν κόψετε το αντικείμενο εργασίας.** Με αυτόν τον τρόπο μειώνεται ο κίνδυνος να εκτοξευτεί το αντικείμενο εργασίας.
- q) **Αν κολλήσει το αντικείμενο εργασίας ή μπλοκαριστεί η λάμα, απενεργοποιήστε το φάλτσοπριονο. Περιμένετε να ακινητοποιηθούν όλα τα κινητά μέρη, αφαιρέστε το φιν από την πρίζα και/ή αφαιρέστε την επαναφορτιζόμενη μπαταρία. Κατόπιν αφαιρέστε το σφηνωμένο υλικό.** Αν σε μια τέτοια περίπτωση μπλοκαρίσματος συνεχίσετε την κοπή με το πριόνι, μπορεί να προκληθεί απώλεια του ελέγχου ή ζημιές στο φάλτσοπριονο.
- r) **Μετά την ολοκλήρωση της κοπής αφήστε ελεύθερο τον διακόπτη, κρατήστε την κεφαλή πριονιού κατεβασμένη και περιμένετε να ακινητοποιηθεί η λάμα πριν αφαιρέσετε το αποκομμένο κομμάτι.** Είναι πολύ επικίνδυνο να πλησιάζετε στο χέρι σας στη λάμα πριονιού που κινείται έως ότου σταματήσει τελείως.
- s) **Κρατάτε καλά τη χειρολαβή αν θέλετε να εκτελέσετε μια μη πλήρη κοπή με το πριόνι ή όταν αφήσετε ελεύθερο τον διακόπτη, πριν φθάσει η κεφαλή πριονιού την κάτω θέση της.** Από τη δράση πέδησης του πριονιού μπορεί η κεφαλή πριονιού να τραβηχτεί απότομα προς τα κάτω, κάτι που προκαλεί κίνδυνο τραυματισμού.

Υποδείξεις ασφαλείας για το χειρισμό των λαμών πριονιού

- Μη χρησιμοποιείτε λάμες πριονιού που έχουν υποστεί ζημιά ή παραμόρφωση.
- Μη χρησιμοποιήσετε λάμα πριονιού με ρωγμές. Να αποσύρετε από τη χρήση λάμες πριονιού που παρουσιάζουν ρωγμές. Δεν επιτρέπεται επισκευή.
- Μη χρησιμοποιείτε λάμες πριονιού από χάλυβα υψηλής ταχύτητας.
- Ελέγχετε την κατάσταση της λάμας πριονιού πριν χρησιμοποιήσετε το πριόνι εγκάρσιας κοπής-φάλτσοπριονο.
- Να χρησιμοποιείτε μόνο λάμες πριονιού οι οποίες είναι κατάλληλες για το υλικό που πρόκειται να κόψετε.
- Χρησιμοποιείτε μόνο τις λάμες πριονιού που καθορίζει ο κατασκευαστής. Οι λάμες πριονιού που προορίζονται για την επεξεργασία ξύλου ή παρόμοιων υλικών πρέπει να συμμορφώνονται με το πρότυπο EN 847-1.
- Μη χρησιμοποιείτε λάμες πριονιού από χάλυβα υψηλής ταχύτητας (HSS).
- Να χρησιμοποιείτε μόνο λάμες πριονιού των οποίων ο μέγιστος επιτρεπόμενος αριθμός στροφών είναι μεγαλύτερος ή ίσος με το μέγιστο αριθμό στροφών της ατράκτου του πριονιού εγκάρσιας κοπής-φάλτσοπριονο και οι οποίες είναι κατάλληλες για το υλικό που πρόκειται να κόψετε.
- Προσέξτε την κατεύθυνση περιστροφής της λάμας πριονιού.
- Να τοποθετείτε λάμες πριονιού μόνον όταν είστε εξοικειωμένος με το χειρισμό τους.
- Να τηρείτε τον περιορισμό του μέγιστου αριθμού στροφών. Δεν επιτρέπεται η υπέρβαση του μέγιστου αριθμού στροφών που αναφέρεται πάνω στη λάμα πριονιού. Αν αναφέρεται, να τηρείτε την περιοχή αριθμού στροφών.
- Να καθαρίζετε τις επιφάνειες σύσφιξης από βρομιές, γράσα, λάδια και νερό.
- Μη χρησιμοποιείτε μη στερεωμένους δακτύλιους ή χιτώνια μείωσης για τη μείωση της διαμέτρου σπών σε λάμες πριονιού.
- Να προσέχετε ώστε οι στερεωμένοι δακτύλιοι μείωσης για την ασφάλιση της λάμας πριονιού να έχουν την ίδια διάμετρο και τουλάχιστον το 1/3 της διαμέτρου κοπής.
- Να βεβαιώνετε ότι οι στερεωμένοι δακτύλιοι μείωσης είναι παράλληλοι μεταξύ τους.
- Να χειρίζεστε με προσοχή τις λάμες πριονιού. Να τις διατηρείτε καλύτερα στην αρχική συσκευασία ή σε ειδικές θήκες. Να φοράτε προστατευτικά γάντια, για βελτιωμένη ασφάλεια λαβής και μειωμένο κίνδυνο τραυματισμού.
- Πριν τη χρήση των λαμών πριονιού να βεβαιώνετε ότι όλες οι προστατευτικές διατάξεις είναι σωστά στερεωμένες.
- Να βεβαιώνετε πριν τη χρήση, ότι η χρησιμοποιούμενη λάμα πριονιού συμμορφώνεται με τις τεχνικές απαιτήσεις αυτού του πριονιού εγκάρσιας κοπής-φάλτσοπριονο και είναι σωστά στερεωμένη.
- Να χρησιμοποιείτε τη συμπεριλαμβανόμενη λάμα πριονιού μόνο για εργασίες κοπής σε ξύλο, ποτέ για επεξεργασία μετάλλων.
- Να χρησιμοποιείτε μόνο λάμα πριονιού με διάμετρο που αντιστοιχεί στα στοιχεία που αναφέρονται πάνω στο πριόνι.

21. Χρησιμοποιείτε πρόσθετα υποθέματα αντικειμένου εργασίας, αν αυτό είναι απαραίτητο για την ευστάθεια του αντικειμένου εργασίας.
22. Οι επεκτάσεις του υποθέματος αντικειμένου εργασίας πρέπει κατά την εργασία να είναι πάντα στερεωμένες και να χρησιμοποιούνται.
23. Αντικαθιστάτε τα ένθετα βάσης που έχουν φθαρεί!
24. Αποφεύγετε την υπερθέρμανση των δοντιών του πριονιού.
25. Αποφεύγετε κατά την κοπή πλαστικών να λιώνετε το πλαστικό. Για το σκοπό αυτόν χρησιμοποιείτε τη σωστή λάμα πριονιού. Αντικαθιστάτε έγκαιρα τις λάμες πριονιού που έχουν υποστεί ζημιά ή φθορά. Αν υπερθερμανθεί η λάμα πριονιού, σταματήστε το μηχάνημα. Αφήστε πρώτα να κρυσώσει η λάμα πριονιού, πριν εργαστείτε πάλι με το ηλεκτρικό εργαλείο.



Προσοχή: Ακτινοβολία λέιζερ
Μην κοιτάζετε μέσα στην ακτίνα
Κατηγορία λέιζερ 2



Προστατεύετε τον εαυτό σας και το περιβάλλον λαμβάνοντας μέτρα προφύλαξης από κινδύνους ατυχημάτων!

- Μην κοιτάζετε απευθείας με απροστάτευτα μάτια μέσα στην ακτίνα λέιζερ.
- Ποτέ μην κοιτάζετε απευθείας μέσα στη διαδρομή της ακτίνας.
- Μην κατευθύνετε ποτέ την ακτίνα λέιζερ σε ανακλαστικές επιφάνειες και σε άτομα ή ζώα. Ακόμα και μια ακτίνα λέιζερ χαμηλής ισχύος μπορεί να προξενήσει ζημιές στο μάτι.
- Προφύλαξη - αν ακολουθείτε μεθόδους εργασίας διαφορετικές από αυτές που αναφέρονται εδώ, αυτό μπορεί να επιφέρει επικίνδυνη έκθεση σε ακτινοβολία.
- Ποτέ μην ανοίξετε τη μονάδα λέιζερ. Θα μπορούσε να προκύψει μη αναμενόμενη έκθεση σε ακτινοβολία.
- Αν δεν χρησιμοποιείτε τη συσκευή για μεγάλο χρονικό διάστημα, πρέπει να αφαιρείτε τις μπαταρίες.
- Το λέιζερ δεν επιτρέπεται να αντικατασταθεί με μονάδα λέιζερ άλλου τύπου.
- Επισκευές στο λέιζερ επιτρέπεται να πραγματοποιούνται μόνο από τον κατασκευαστή του λέιζερ ή από εξουσιοδοτημένο αντιπρόσωπο.

Υποδείξεις ασφαλείας για το χειρισμό μπαταριών

1. Να προσέχετε πάντα οι μπαταρίες να τοποθετούνται με τη σωστή πολικότητα (+ και -), σύμφωνα με τις ενδείξεις πάνω στην κάθε μπαταρία.
2. Μη βραχυκυκλώνετε τις μπαταρίες.
3. Μη φορτίζετε μη επαναφορτιζόμενες μπαταρίες.
4. Μην αποφορτίζετε υπερβολικά τις μπαταρίες!
5. Μη χρησιμοποιείτε μαζί παλιές και καινούργιες μπαταρίες ή μπαταρίες διαφορετικού τύπου ή κατασκευαστή! Να αντικαθιστάτε ταυτόχρονα όλες τις μπαταρίες ενός σετ.
6. Να αφαιρείτε χωρίς καθυστέρηση τις εξαντλημένες μπαταρίες από τη συσκευή και να τις απορρίπτετε με σωστό τρόπο! Μην απορρίπτετε μπαταρίες στα οικιακά απορρίμματα.

Οι ελαττωματικές ή χρησιμοποιημένες μπαταρίες πρέπει να ανακυκλώνονται σύμφωνα με την Οδηγία 2006/66/EK. Παραδώστε τις μπαταρίες και / ή τη συσκευή στο τέλος της ζωής τους στις προσφερόμενες εγκαταστάσεις περισυλλογής. Σχετικά με τις διαθέσιμες δυνατότητες τελικής διάθεσης των αποβλήτων μπορείτε να πληροφορηθείτε από τις αρχές της κοινότητας ή της πόλης σας.

7. Μη θερμαίνετε τις μπαταρίες!
8. Μη κάνετε συγκολλήσεις απευθείας πάνω στις μπαταρίες!
9. Μην αποσυναρμολογείτε τις μπαταρίες!
10. Μην παραμορφώνετε τις μπαταρίες!
11. Μην πετάτε τις μπαταρίες σε φωτιά!
12. Να κρατάτε τις μπαταρίες μακριά από παιδιά.
13. Μην επιτρέπετε σε παιδιά την αντικατάσταση μπαταριών χωρίς επιτήρηση!
14. Μη φυλάσσετε τις μπαταρίες κοντά σε φωτιά, τζάκι ή άλλες πηγές θερμότητας. Μην εκθέτετε τις μπαταρίες σε άμεση ηλιακή ακτινοβολία και μην τις χρησιμοποιείτε ή τις αποθηκεύετε σε οχήματα όταν ο καιρός είναι ζεστός.
15. Να διατηρείτε τις μη χρησιμοποιούμενες μπαταρίες στην αρχική συσκευασία και να τις κρατάτε μακριά από μεταλλικά αντικείμενα. Μην αναμιγνύετε τις αποσυσκευασμένες μπαταρίες και μην τις έχετε ανακατωμένες! Με αυτό τον τρόπο μπορεί να προκληθεί βραχυκύκλωμα των μπαταριών, με αποτέλεσμα ζημιές, εγκαύματα ή ακόμα και κίνδυνο πυρκαγιάς.
16. Να αφαιρείτε τις μπαταρίες από τη συσκευή όταν αυτή δεν χρησιμοποιείται για παρατεταμένο χρονικό διάστημα, εκτός από περιπτώσεις έκτακτης ανάγκης!
17. Μην πιάνετε ΠΟΤΕ χωρίς κατάλληλη προστασία μπαταρίες που έχουν παρουσιάσει διαρροή. Αν το υγρό που έχει διαρρεύσει έλθει σε επαφή με το δέρμα, θα πρέπει να ξεπλύνετε την επηρεαζόμενη περιοχή του δέρματος με τρεχούμενο νερό. Αποτρέπετε οπωσδήποτε την επαφή του υγρού με τα μάτια και το στόμα. Σε μια τέτοια περίπτωση, επισκεφθείτε άμεσα γιατρό.
18. Πριν την τοποθέτηση των μπαταριών, να καθαρίζετε τις επαφές των μπαταριών και τις αντίστοιχες επαφές της συσκευής.

Υπολειπόμενοι κίνδυνοι

Το ηλεκτρικό εργαλείο έχει κατασκευαστεί σύμφωνα με τις τελευταίες εξελίξεις της τεχνολογίας και βάσει των καθιερωμένων τεχνικών κανόνων ασφαλείας. Ωστόσο, κατά την εργασία μπορεί να προκύψουν μεμονωμένοι υπολειπόμενοι κίνδυνοι.

- Διακινδύνευση για την υγεία από ηλεκτρικό ρεύμα σε περίπτωση χρήσης ακατάλληλων καλωδίων ρεύματος.
- Επιπλέον, μπορεί παρά όλες τις λαμβανόμενες προφυλάξεις να προκύψουν μη προφανείς υπολειπόμενοι κίνδυνοι.
- Οι υπολειπόμενοι κίνδυνοι μπορούν να ελαχιστοποιηθούν όταν τηρούνται οι «Υποδείξεις ασφαλείας» και η «Προβλεπόμενη χρήση», καθώς και οι οδηγίες χειρισμού.
- Μην καταπονείτε άσκοπα το μηχάνημα: η πολύ ισχυρή πίεση κατά την κοπή προξενεί γρήγορα ζημιά στη λάμα πριονιού, πράγμα που προκαλεί υποβάθμιση της απόδοσης του μηχανήματος κατά την επεξεργασία και μειωμένη ακρίβεια κοπής.
- Κατά την κοπή πλαστικών υλικών να χρησιμοποιείτε πάντα σφιγκτήρες: τα εξαρτήματα που πρόκειται να κοπούν πρέπει πάντα να στερεώνονται ανάμεσα στους σφιγκτήρες.

- Αποφεύγετε αθλήτη θέση σε λειτουργία του μηχανήματος: κατά την εισαγωγή του φιδ στην πρίζα δεν επιτρέπεται να είναι πατημένο το πλήκτρο έναρξης λειτουργίας.
- Να χρησιμοποιείτε το εργαλείο που συνιστάται στο παρόν εγχειρίδιο. Έτσι απολαμβάνετε πάντα τη μέγιστη απόδοση από το μηχανήμα σας.
- Τα χέρια δεν επιτρέπεται να εισέρχονται στην περιοχή εργασίας, όταν είναι σε λειτουργία το εργαλείο.
- Πριν πραγματοποιήσετε εργασίες ρύθμισης ή συντήρησης, αφήστε το κουμπί εκκίνησης και αποσυνδέστε το φιδ από την πρίζα.

7. Τεχνικά χαρακτηριστικά

Μοτέρ εναλλασσόμενου ρεύματος.....	220 - 240 V~ 50 Hz
Ονομαστική ισχύς S1.....	1200 Watt
Τρόπος λειτουργίας.....	S6 25%* 1500 W
Αριθμός στροφών χωρίς φορτίο n ₀	5000 min ⁻¹
Λεπίδα πριονιού από σκληρό μέταλλο 210 x ø 30 x 2,6 mm	
Αριθμός δοντιών.....	48
Μέγιστο πλάτος δοντιών της λάμας πριονιού.....	3 mm
Εύρος στροφής.....	-45° / 0° / +45°
Φαλτσκοπή.....	0° έως 45° προς τα αριστερά
Πλάτος κοπής στις 90°.....	120 x 60 mm
Πλάτος κοπής στις 45°.....	80 x 60 mm
Πλάτος κοπής στις 2 x 45° (Σύνθετη λοξή κοπή).....	80 x 35 mm
Κλάση προστασίας.....	II /
Βάρος.....	περ. 7,6 kg
Κατηγορία λέιζερ.....	2
Μήκος κύματος λέιζερ.....	650 nm
Ισχύς λέιζερ.....	< 1 mW

* Τρόπος λειτουργίας S6, αδιάλειπτη περιοδική λειτουργία. Η λειτουργία αποτελείται από ένα χρονικό διάστημα εκκίνησης, ένα χρονικό διάστημα με σταθερό φορτίο και ένα χρονικό διάστημα λειτουργίας χωρίς φορτίο. Ο κύκλος δραστηριότητας είναι 10 λεπτά, η σχετική διάρκεια ενεργοποιημένης κατάστασης είναι 25% του κύκλου δραστηριότητας.

Το τεμάχιο εργασίας πρέπει να έχει τουλάχιστον ύψος 3 mm και πλάτος 10 mm.

Προσέχετε το αντικείμενο εργασίας να στερεώνεται πάντα με τη διάταξη σύσφιξης.

Θόρυβος

Οι τιμές θορύβου μετρήθηκαν βάσει του προτύπου EN 62841. Επίπεδο ηχητικής πίεσης L_{PA}..... 99,6 dB(A)
Αβεβαιότητα K_{PA}..... 3 dB
Στάθμη ηχητικής ισχύος L_{WA}..... 112,6 dB(A)
Αβεβαιότητα K_{WA}..... 3 dB

Φοράτε ωτασπίδες.

Η επίδραση του θορύβου ενδέχεται να προκαλέσει απώλεια ακοής.

Οι αναφερόμενες τιμές εκπομπών θορύβου έχουν μετρηθεί σύμφωνα με μια πρότυπη διαδικασία εξέτασης και μπορούν να χρησιμοποιηθούν για τη σύγκριση ενός ηλεκτρικού εργαλείου με ένα άλλο.

Οι αναφερόμενες τιμές εκπομπών θορύβου μπορούν να χρησιμοποιηθούν και για μια προσωρινή αξιολόγηση της καταπόνησης.

Προειδοποίηση:

- Κατά τη χρήση του ηλεκτρικού εργαλείου στην πράξη, οι τιμές εκπομπών θορύβου μπορεί να αποκλίνουν από την αναφερόμενη τιμή, ανάλογα με τον τρόπο και μέθοδο χρήσης του ηλεκτρικού εργαλείου, και ιδιαίτερα, τον τρόπο επεξεργασίας του αντικείμενου εργασίας.
- Προσπαθείτε να διατηρείτε όσο το δυνατόν μικρότερη την καταπόνηση. Παραδείγματα μέτρων για περιορισμό του χρόνου εργασίας. Για την εκτίμηση της καταπόνησης πρέπει να λαμβάνονται υπόψη όλα τα μέρη του κύκλου λειτουργίας (για παράδειγμα, τα χρονικά διαστήματα κατά τα οποία το ηλεκτρικό εργαλείο είναι απενεργοποιημένο, και αυτά κατά τα οποία είναι ενεργοποιημένο αλλά λειτουργεί χωρίς φορτίο).

8. Πριν από τη θέση σε λειτουργία

- Ανοίξτε τη συσκευασία και αφαιρέστε προσεκτικά τη συσκευή.
- Απομακρύνετε το υλικό συσκευασίας καθώς και τις ασφάλειες συσκευασίας/και μεταφοράς (εφόσον υπάρχουν).
- Ελέγξτε εάν είναι πλήρης η παράδοση.
- Ελέγξτε τη συσκευή και τα αξεσουάρ για τυχόν ζημιές από τη μεταφορά.
- Φυλάξτε τη συσκευασία κατά το δυνατό μέχρι τη λήξη της εγγύησης.

ΕΙΔΟΠΟΙΗΣΗ

Η συσκευή και τα υλικά συσκευασίας δεν είναι παιδικά παιχνίδια! Τα παιδιά δεν επιτρέπεται να παίζουν με πλαστικές σακούλες, μεμβράνες και μικροεξαρτήματα! Υπάρχει κίνδυνος κατάποσης και ασφυξίας!

Να φροντίζετε πάντα για την ευστάθεια και την ασφάλεια του μηχανήματος, π.χ. στερεώνοντάς το σε έναν πάγκο εργασίας.

- Το μηχανήμα πρέπει να εγκαθίσταται με σταθερότητα. Ασφαλίστε το μηχανήμα με τη βοήθεια των οπών στη σταθερή βάση πριονιού (9) και 4 βιδών (δεν συμπεριλαμβάνονται στο αντικείμενο παράδοσης) πάνω σε έναν πάγκο εργασίας, ένα πλαίσιο βάσης κλπ.
- Πριν τη θέση σε λειτουργία πρέπει να έχουν εγκατασταθεί κανονικά όλα τα καλύμματα και οι διατάξεις ασφαλείας.
- Η λάμα πριονιού πρέπει να μπορεί να κινείται ελεύθερα.
- Αν επεξεργάζεστε ξύλο που έχει ήδη χρησιμοποιηθεί, προσέχετε για ξένα σώματα όπως π.χ. καρφιά ή βίδες κλπ.
- Πριν πατήσετε το διακόπτη ενεργοποίησης/ απενεργοποίησης, βεβαιωθείτε ότι η λάμα πριονιού έχει εγκατασταθεί σωστά και τα κινητά μέρη μπορούν να κινούνται εύκολα.
- Βεβαιωθείτε πριν από τη σύνδεση του μηχανήματος, ότι τα στοιχεία στην πινακίδα τύπου συμφωνούν με τα στοιχεία του δικτύου τροφοδοσίας.

8.1 Συναρμολόγηση του σφιγκτήρα τεμαχίων εργασίας (εικ. 2)

- Λασκάρετε τη βίδα στερέωσης (19) και συναρμολογήστε το σφιγκτήρα τεμαχίου εργασίας (15) αριστερά ή δεξιά στο σταθερό τραπέζι πριονιού.
- Κατόπιν σφίξτε πάλι τη βίδα στερέωσης (19).

8.2 Συναρμολόγηση των στηριγμάτων τεμαχίου εργασίας (εικ. 2 - 3)

- Λασκάρετε τη βίδα στερέωσης (14) και περάστε το στήριγμα τεμαχίου εργασίας μέσα από την προβλεπόμενη οπή πλευρικά στο σταθερό τραπέζι πριονιού.
- Προσέξτε το στήριγμα τεμαχίου εργασίας (18) να περάσει και από τις δύο θηλιές στην κάτω πλευρά.
- Κατόπιν σφίξτε πάλι καλά τη βίδα στερέωσης (14).
- Επαναλάβετε τη διαδικασία και στην άλλη πλευρά.

8.3 Συναρμολόγηση της βάσης στήριξης (εικ. 2 - 3)

- Λασκάρετε τη βίδα στερέωσης (20) στην κάτω πλευρά του πριονιού και περάστε τη βάση στήριξης (21) μέσα από τις προβλεπόμενες οπές στην πίσω πλευρά του πριονιού.
- Κατόπιν σφίξτε πάλι τη βίδα στερέωσης (20).

8.4 Σάκος συλλογής πριονιδιών (εικ. 4)

Το πριόνι είναι εξοπλισμένο με ένα σάκο συλλογής πριονιδιών (17).

- Πιέστε τα περύγια του μεταλλικού δακτυλίου του σάκου σκόνης και τοποθετήστε τον σάκο στο άνοιγμα εξαγωγής στην περιοχή του μοτέρ.
- Ο σάκος συλλογής πριονιδιών (17) μπορεί να εκκενωθεί μέσω του φερμουάρ στην κάτω πλευρά.

Σύνδεση σε εξωτερική διάταξη αποκονίωσης

- Συνδέστε τον εύκαμπο σωλήνα αναρρόφησης στη διάταξη για αναρρόφηση σκόνης.
- Η διάταξη για αναρρόφηση σκόνης πρέπει να είναι κατάλληλη για το υλικό προς κατεργασία.
- Χρησιμοποιείτε μια ειδική διάταξη αναρρόφησης για την αναρρόφηση ιδιαίτερα επιβλαβούς για την υγεία ή καρκινογόνου σκόνης.

8.5 Έλεγχος διάταξης ασφαλείας κινητού προστατευτικού λάμας πριονιού (5)

Το προστατευτικό λάμας πριονιού προστατεύει από αθλήτη επαφή με τη λάμα πριονιού και από εκτινασόμενα πριονίδια.

Ελέγξτε τη λειτουργία.

Για το σκοπό αυτόν, κατεβάστε το πριόνι προς τα κάτω:

- Το προστατευτικό λάμας πριονιού πρέπει να ελευθερώνει τη λάμα πριονιού κατά το κατέβασμα, χωρίς να αγγίζει άλλα εξαρτήματα.
- Κατά το ανέβασμα του πριονιού στην αρχική θέση, πρέπει το προστατευτικό λάμας πριονιού να καλύπτει αυτόματα τη λάμα πριονιού.

9. Τοποθέτηση και χειρισμός

9.1 Τοποθέτηση πριονιού εγκάρσιας κοπής-φαλτοπριονιού (Εικ.1 - 3)

- Λασκάρετε την περιστρεφόμενη βάση (13) λασκάροντας τη βίδα ακινητοποίησης (7).
- Με τη χειρολαβή (3), ρυθμίστε την περιστρεφόμενη βάση (13) στην επιθυμητή γωνία.

ΥΠΟΔΕΙΞΗ

Το δισκοπρίονο μπορεί να στραφεί προς τα αριστερά και δεξιά με τη βοήθεια του στρεφόμενου τραπέζιου. Με τη βοήθεια της κλίμακας είναι εφικτή η επίτευξη απόλυτης ακριβείας στη ρύθμιση της γωνίας. Οι γωνίες 0° έως 45° μπορούν να ρυθμιστούν με ακρίβεια και ευκολία με τις ενδιάμεσες θέσεις συγκράτησης στις 15°, 22,5° και 30°.

- Σφίξτε ξανά τη βίδα ακινητοποίησης (7) για να στερεώσετε την περιστρεφόμενη βάση.
- Πιέζοντας ελαφρά προς τα κάτω την κεφαλή του εργαλείου (4) και τραβώντας ταυτόχρονα τον πείρο ασφάλισης (25) από τη βάση του κινητήρα, το πριόνι απασφαλίζεται από την χαμηλότερη θέση.
- Μετακινήστε προς τα πάνω την κεφαλή του εργαλείου (4).
- Οι διατάξεις σύσφιξης (15) μπορούν να στερεωθούν και στις δύο πλευρές της σταθερής βάσης πριονιού (9). Τοποθετήστε τις διατάξεις σύσφιξης (15) στις προβλεπόμενες για τον σκοπό αυτόν οπές στην πίσω πλευρά της ράγας αναστολέα (8) και ασφαλίστε τις με τις βίδες αστεροειδούς λαβής (19).
- Μπορείτε να ρυθμίσετε την κλίση της κεφαλής του εργαλείου (4) σε μέγ. 45° προς τα αριστερά, λασκάροντας τη βίδα ακινητοποίησης (23).
- Τα υποθέματα αντικειμένου εργασίας (18) πρέπει κατά την εργασία να είναι πάντα στερεωμένα και να χρησιμοποιούνται.

9.2 Λεπτομερής ρύθμιση του αναστολέα για κάθετη κοπή 90° (εικ. 5)

Η γωνία-οδηγός δεν περιλαμβάνεται στο αντικείμενο παράδοσης.

- Κατεβάστε την κεφαλή του εργαλείου (4) και ακινητοποιήστε τη με τον πείρο ασφάλισης (25).
- Λασκάρετε τη βίδα ακινητοποίησης (23).
- Τοποθετήστε τη γωνία-οδηγό (A) ανάμεσα στη λάμα πριονιού (6) και στην περιστρεφόμενη βάση (13).
- Λασκάρετε το παξιμάδι ασφάλισης (26α).
- Ρυθμίστε τη βίδα ρύθμισης (26) τόσο, μέχρι η γωνία μεταξύ λάμας πριονιού (6) και περιστρεφόμενης βάσης (13) να ανέρχεται στις 90°.
- Σφίξτε πάλι καλά το παξιμάδι ασφάλισης (26α).

9.3 Κάθετη κοπή 90° και περιστρεφόμενη βάση 0° (εικ. 1/2/3/6)

Προσοχή! Οι κινητές ράγες αναστολέα (8α) πρέπει να ακινητοποιούνται στην εσωτερική θέση για εγκάρσιες κοπές 90°.

- Ανοίξτε τη βίδα ακινητοποίησης (8b) της κινητής ράγας αναστολέα (8α) και σπρώξτε την κινητή ράγα αναστολέα (8α) προς τα μέσα.
- Οι κινητές ράγες αναστολέα (8α) πρέπει να ακινητοποιούνται τόσο μακριά από την πιο εσωτερική θέση, ώστε η μέγιστη απόσταση μεταξύ των κινητών ραγών αναστολέα (8α) και της λάμας πριονιού (6) να ανέρχεται σε 8 mm.

- Ελέγξτε πριν από την κοπή, ότι δεν είναι δυνατή μια σύγκρουση μεταξύ των ρυθμιζόμενων ραγών αναστολέα (8a) και της λάμας πριονιού (6).
- Σφίξτε ξανά τις βίδες ακινητοποίησης (8b).
- Φέρτε την κεφαλή του εργαλείου (4) στην ανώτερη θέση.
- Τοποθετήστε το ξύλο που θέλετε να κόψετε σε επαφή με τη ράγα αναστολέα (8) και πάνω στην περιστρεφόμενη βάση (13).
- Ακινητοποιήστε το υλικό με τις διατάξεις σύσφιξης (15) στο σταθερό τραπέζι πριονιού (9), για να αποτρέψετε τη μετακίνηση κατά τη διαδικασία κοπής. Βλ. σημείο 9.12.
- Απασφαλίστε τον διακόπτη ασφάλισης (2) και πατήστε τον διακόπτη ενεργοποίησης/ απενεργοποίησης (1) για να ενεργοποιήσετε το μοτέρ.
- Κινήστε την κεφαλή του εργαλείου (4) με τη χειρολαβή (3) ομαλά και με ελαφρά πίεση προς τα κάτω, έως ότου η λάμα πριονιού (6) ολοκληρώσει την κοπή μέσω του αντικειμένου εργασίας.
- Μετά το τέλος της διαδικασίας κοπής, φέρτε την κεφαλή του εργαλείου ξανά στην επάνω θέση ηρεμίας και αφήστε ελεύθερο τον διακόπτη ενεργοποίησης/ απενεργοποίησης (1).

Προσοχή!

Λόγω του επανατακτικού ελατηρίου η μηχανή μετακινείται αυτόματα προς τα επάνω. Μην αφήνετε τη χειρολαβή (3) μετά το τέλος της κοπής, αλλά μετακινήστε την κεφαλή της μηχανής αργά και ασκώντας ελαφρά πίεση.

9.4 Κάθετη κοπή 90° και περιστρεφόμενη βάση 0°- 45° (εικ. 1/2/3/6)

Με το πριόνι εγκάρσιας κοπής-φάλτσοπριόνιο μπορείτε να πραγματοποιήσετε λοξές κοπές προς τα αριστερά και τα δεξιά σε γωνίες 0°-45°.

Προσοχή!

Η κινητή ράγα αναστολέα (8a) πρέπει να ακινητοποιείται στην εσωτερική θέση για εγκάρσιες κοπές 90°.

- Ανοίξτε τη βίδα ακινητοποίησης (8b) της κινητής ράγας αναστολέα (8a) και σπρώξτε την κινητή ράγα αναστολέα (8a) προς τα μέσα.
- Η κινητή ράγα αναστολέα (8a) πρέπει να ακινητοποιείται τόσο μακριά από την πιο εσωτερική θέση, ώστε η απόσταση μεταξύ ράγας αναστολέα (8a) και λάμας πριονιού (6) να ανέρχεται σε τουλάχιστον 8 mm.
- Ελέγξτε πριν από την κοπή, ότι δεν είναι δυνατή μια σύγκρουση μεταξύ της ράγας αναστολέα (8a) και της λάμας πριονιού (6).
- Σφίξτε ξανά τη βίδα ακινητοποίησης (8b).
- Λασκάρτε την περιστρεφόμενη βάση (13) λασκάροντας τη βίδα ακινητοποίησης (7).
- Με τη χειρολαβή (3), ρυθμίστε την περιστρεφόμενη βάση (13) στην επιθυμητή γωνία.
- Σφίξτε ξανά τη βίδα ακινητοποίησης (7) για να στερεώσετε την περιστρεφόμενη βάση.
- Εκτελέστε την κοπή όπως περιγράφεται στο σημείο 9.3.

9.5 Λεπτομερής ρύθμιση του αναστολέα για λοξή κοπή 45° (εικ. 1/2/3/6/7/8)

Η γωνία-οδηγός δεν περιλαμβάνεται στο αντικείμενο παράδοσης.

- Κατεβάστε την κεφαλή του εργαλείου (4) και ακινητοποιήστε τη με τον πείρο ασφάλισης (25).
- Ακινητοποιήστε την περιστρεφόμενη βάση (13) στη θέση 0°.

- Προσοχή! Η αριστερή πλευρά των κινητών ραγών αναστολέα (8a) πρέπει για λοξές κοπές (κεφαλή πριονιού υπό κλίση) να σταθεροποιείται στην εξωτερική θέση.
- Ανοίξτε τη βίδα ακινητοποίησης (8b) της κινητής ράγας αναστολέα (8a) και σπρώξτε την κινητή ράγα αναστολέα (8a) προς τα έξω.
- Η κινητή ράγα αναστολέα (8a) πρέπει να ακινητοποιείται τόσο μακριά από την πιο εσωτερική θέση, ώστε η απόσταση μεταξύ ράγας αναστολέα (8a) και λάμας πριονιού (6) να ανέρχεται σε τουλάχιστον 8 mm.
- Ελέγξτε πριν από την κοπή, ότι δεν είναι δυνατή μια σύγκρουση μεταξύ της ράγας αναστολέα (8a) και της λάμας πριονιού (6).
- Σφίξτε ξανά τη βίδα ακινητοποίησης (8b).
- Λασκάρτε τη βίδα ακινητοποίησης (23) και με τη χειρολαβή (3) ρυθμίστε την κλίση της κεφαλής του εργαλείου (4) προς τα αριστερά, στις 45°.
- Τοποθετήστε τη γωνία-οδηγό 45° (B) ανάμεσα στη λάμα πριονιού (6) και στην περιστρεφόμενη βάση (13).
- Λασκάρτε το παξιμάδι ασφάλισης (22a) και ρυθμίστε τη βίδα ρύθμισης (22) τόσο, μέχρι η γωνία μεταξύ λάμας πριονιού (6) και περιστρεφόμενης βάσης (13) να ανέρχεται σε ακριβώς 45°.
- Σφίξτε πάλι καλά το παξιμάδι ασφάλισης (22a)
- Τέλος, ελέγξτε τη θέση της ένδειξης της γωνίας. Εφόσον απαιτείται, λασκάρτε τον δείκτη (28) με σταυροκατσάβιδο, τοποθετήστε τον στη θέση 45° της κλίμακας (27) και σφίξτε ξανά τη βίδα συγκράτησης.

9.6 Λοξή κοπή 0° - 45° και περιστρεφόμενη βάση 0° (εικ. 1/2/3/8)

Με το πριόνι εγκάρσιας κοπής-φάλτσοπριόνιο μπορείτε να εκτελέσετε φάλτσες κοπές προς τα αριστερά 0°- 45° ως προς την επιφάνεια εργασίας.

Προσοχή!

Η αριστερή πλευρά των κινητών ραγών αναστολέα (8a) πρέπει για λοξές κοπές (κεφαλή πριονιού υπό κλίση) να σταθεροποιείται στην εξωτερική θέση.

Προσοχή!

Για λοξές κοπές 0° - 45° πρέπει η διάταξη σύσφιξης (σφιγκτήρας αντικειμένων εργασίας) (15) να εγκαθίσταται μόνο στη δεξιά πλευρά.

- Ανοίξτε τη βίδα ακινητοποίησης (8b) της κινητής ράγας αναστολέα (8a) και σπρώξτε την κινητή ράγα αναστολέα (8a) προς τα έξω.
- Η κινητή ράγα αναστολέα (8a) πρέπει να ακινητοποιείται τόσο μακριά από την πιο εσωτερική θέση, ώστε η απόσταση μεταξύ ράγας αναστολέα (8a) και λάμας πριονιού (6) να ανέρχεται σε τουλάχιστον 8 mm.
- Ελέγξτε πριν από την κοπή, ότι δεν είναι δυνατή μια σύγκρουση μεταξύ της ράγας αναστολέα (8a) και της λάμας πριονιού (6).
- Σφίξτε ξανά τη βίδα ακινητοποίησης (8b).
- Φέρτε την κεφαλή του εργαλείου (4) στην υψηλότερη θέση.
- Ακινητοποιήστε την περιστρεφόμενη βάση (13) στη θέση 0°.
- Λασκάρτε τη βίδα ακινητοποίησης (23) και με τη χειρολαβή (3) ρυθμίστε την κλίση της κεφαλής του εργαλείου (4) προς τα αριστερά, μέχρι ο δείκτης (28) να δείξει το επιθυμητό μέγεθος γωνίας στην κλίμακα (27).
- Σφίξτε ξανά τη βίδα σύσφιξης (23).
- Εκτελέστε την κοπή όπως περιγράφεται στο σημείο 9.3.

9.7 Λοξή κοπή 0°- 45° και περιστρεφόμενη βάση 0°- 45° (εικ. 1/2/3/6)

Με το πριόνι εγκάρσιας κοπής-φαλτοσπρίονο μπορείτε να εκτελέσετε φάλτσες κοπές προς τα αριστερά υπό γωνία 0°- 45° ως προς την επιφάνεια εργασίας και ταυτόχρονα 0°- 45° ως προς τη ράγα αναστολέα (σύνθετη λοξή κοπή).

Προσοχή!

Η αριστερή πλευρά των κινητών ραγών αναστολέα (8α) πρέπει για λοξές κοπές (κεφαλή πριονιού υπό κλίση) να σταθεροποιείται στην εξωτερική θέση.

Προσοχή!

Για λοξές κοπές 0° - 45° πρέπει η διάταξη σύσφιξης (σφιγκτήρας αντικειμένων εργασίας) (15) να εγκαθίσταται μόνο στη δεξιά πλευρά.

- Ανοίξτε τη βίδα ακινητοποίησης (8b) της κινητής ράγας αναστολέα (8α) και σπρώξτε την κινητή ράγα αναστολέα (8α) προς τα έξω.
- Η κινητή ράγα αναστολέα (8α) πρέπει να ακινητοποιείται τόσο μακριά από την πιο εσωτερική θέση, ώστε η απόσταση μεταξύ ράγας αναστολέα (8α) και λάμας πριονιού (6) να ανέρχεται σε τουλάχιστον 8 mm.
- Ελέγξτε πριν από την κοπή, ότι δεν είναι δυνατή μια σύγκρουση μεταξύ της ράγας αναστολέα (8α) και της λάμας πριονιού (6).
- Σφίξτε ξανά τη βίδα ακινητοποίησης (8b).
- Φέρτε την κεφαλή του εργαλείου (4) στην υψηλότερη θέση.
- Λασκάρετε την περιστρεφόμενη βάση (13) λασκάροντας τη βίδα ακινητοποίησης (7).
- Με τη χειρολαβή (3), ρυθμίστε την περιστρεφόμενη βάση (13) στην επιθυμητή γωνία.
- Σφίξτε ξανά τη βίδα ακινητοποίησης (7) για να στερεώσετε την περιστρεφόμενη βάση.
- Λασκάρετε τη βίδα ακινητοποίησης (23).
- Με τη χειρολαβή (3), ρυθμίστε την κλίση της κεφαλής του εργαλείου (4) προς τα αριστερά στην επιθυμητή γωνία (βλέπε σχετικά και το σημείο 9.6).
- Σφίξτε ξανά τη βίδα σύσφιξης (23).
- Εκτελέστε την κοπή όπως περιγράφεται στο σημείο 9.3.

9.8 Αντικατάσταση της λάμας πριονιού (εικ. 1/2/3/9/10)

Αποσυνδέστε το φινι από την πρίζα!

Προσοχή!

Φοράτε γάντια για την αλλαγή της λάμας πριονιού! Κίνδυνος τραυματισμού!

- Στρέψτε την κεφαλή του εργαλείου (4) προς τα πάνω και ακινητοποιήστε την με τον πείρο ασφάλισης (25).
- Μετακινήστε το προστατευτικό λάμας πριονιού (5) τόσο προς τα πάνω, ώστε το προστατευτικό λάμας πριονιού (5) να είναι πάνω από τη βίδα φλάντζας (29).
- Με το ένα χέρι τοποθετήστε το κλειδί Άλεν (C) στη βίδα φλάντζας (29).
- Κρατήστε σταθερά το κλειδί Άλεν (C) και κλείστε αργά το προστατευτικό λάμας πριονιού (5), έως ότου αυτό να είναι σε επαφή με το κλειδί Άλεν (C).
- Πιέστε σταθερά την ασφάλιση άξονα πριονιού (32) και περιστρέψτε τη βίδα φλάντζας (29) αργά δεξιόστροφα. Μετά από το πολύ μία στροφή ασφαλίζει η ασφάλιση άξονα πριονιού (32).
- Τώρα χρησιμοποιώντας λίγο περισσότερη δύναμη λασκάρετε τη βίδα φλάντζας (29) δεξιόστροφα.

- Ξεβιδώστε τελείως τη βίδα φλάντζας (29) και αφαιρέστε την εξωτερική φλάντζα (30).
- Αφαιρέστε τη λάμα πριονιού (6) από την εσωτερική φλάντζα και τραβήξτε την προς τα κάτω.
- Καθαρίστε προσεκτικά τη βίδα φλάντζας, (29), την εξωτερική φλάντζα (30) και την εσωτερική φλάντζα.
- Εισάγετε τη νέα λάμα πριονιού (6) με αντίστροφη σειρά ενεργειών και σφίξτε την.
- Προσοχή! Οι λοξομήσεις κοπής των δοντιών δηλ. η κατεύθυνση περιστροφής της λάμας πριονιού (6), πρέπει να συμφωνεί με την κατεύθυνση του βέλους πάνω στο περίβλημα.
- Πριν από την περαιτέρω εργασία, ελέγξτε τη λειτουργικότητα των προστατευτικών διατάξεων.
- Προσοχή! Μετά από κάθε αλλαγή λάμας πριονιού ελέγξτε αν η λάμα πριονιού (6) τόσο σε κατακόρυφη θέση όσο και σε κλίση 45° κινείται ελεύθερα μέσα στο ένθετο βάσης (10).

Προσοχή!

Η αλλαγή και ευθυγράμμιση της λάμας πριονιού (6) πρέπει να γίνει κανονικά.

9.9 Αντικατάσταση των μπαταριών του λείζερ (εικ. 11)

- Αφαιρέστε το κάλυμμα των μπαταριών (34). Αφαιρέστε τις 2 μπαταρίες.
- Αντικαταστήστε και τις δύο μπαταρίες με ίδιες ή ισοδύναμου τύπου. Προσέξτε να τις τοποθετήσετε με την ίδια πολικότητα που είχαν τοποθετηθεί οι χρησιμοποιημένες μπαταρίες.
- Κλείστε το κάλυμμα των μπαταριών.

9.10 Ενεργοποίηση / απενεργοποίηση του λείζερ (εικ. 11)

Ενεργοποίηση:

Κινήστε τον διακόπτη ενεργοποίησης/απενεργοποίησης (33) λείζερ στη θέση „1“. Στο επεξεργαζόμενο αντικείμενο προβάλλεται μία γραμμική λαιζερ, που δείχνει την ακριβή διαδρομή της κοπής.

Απενεργοποίηση:

Κινήστε τον διακόπτη ενεργοποίησης/απενεργοποίησης λείζερ στη θέση „0“.

9.11 Προσαρμογή του λείζερ (εικ. 12)

Εάν το λείζερ (35) δεν δείχνει πλέον τη σωστή γραμμή κοπής, μπορείτε να το ρυθμίσετε σωστά. Για το σκοπό αυτό ανοίξτε τις βίδες (36) και ρυθμίστε το λείζερ με ελαφριά πλευρική μετατόπιση έτσι, ώστε η ακτίνα λείζερ να πέφτει στα δόντια της πριονολάμας (6).

9.12 Χειρισμός του σφιγκτήρα αντικειμένων εργασίας (εικ. 1, 2)

Με τη βίδα ακινητοποίησης (16) μπορεί να ρυθμιστεί ο σφιγκτήρας αντικειμένων εργασίας (15) ως προς το ύψος.

- Χαμηλώστε τον σφιγκτήρα αντικειμένων εργασίας πάνω στο αντικείμενο εργασίας.
- Σφίξτε καλά τη βίδα ακινητοποίησης (16).
- Περιστρέψτε τη λαβή σύσφιξης (24) δεξιόστροφα, για να συσφίξετε το αντικείμενο εργασίας.
- Για να ελευθερώσετε το αντικείμενο εργασίας, κάνετε την αντίστροφη σειρά ενεργειών.

10. Μεταφορά (εικ. 13)

- Σφίξτε τη βίδα ασφάλισης (7) για να ασφαλίσετε την περιστεφόμενη πλάκα (13).
- Πιέστε την κεφαλή του εργαλείου (4) προς τα κάτω και ακινητοποιήστε την με τον πείρο ασφάλισης (25). Το πριόνι έχει τώρα ασφαλίσει στην κάτω θέση.
- Μεταφέρετε το μηχάνημα κρατώντας το από τη λαβή κρατήματος (37).
- Για το νέο στήσιμο του μηχανήματος, προχωρήστε όπως περιγράφεται στο κεφάλαιο 8 - 9.

11. Συντήρηση

⚠ Προσοχή!

Πριν από κάθε ρύθμιση, σέρβις ή επισκευή, αποσυνδέετε το φως από την πρίζα ρεύματος δικτύου!

Γενικά μέτρα συντήρησης

Σκουπίζετε περιστασιακά με ένα πανί ροκανίδια και σκόνη από το εργαλείο. Λαδώνετε μία φορά τον μήνα τα περιστρεφόμενα μέρη για παράταση της διάρκειας ζωής του εργαλείου. Μη λαδώνετε το μοτέρ.

Για τον καθαρισμό των πλαστικών, μην χρησιμοποιείτε καυστικά υλικά.

Καθαρισμός διάταξης ασφαλείας κινητού προστατευτικού λάμας πριονιού (5)

Πριν από κάθε θέση σε λειτουργία ελέγχετε το προστατευτικό λάμας πριονιού για ακαθαρσίες.

Απομακρύνετε τα πριονίδια και τα θραύσματα ξύλου με τη βοήθεια ενός πινέλου ή παρόμοιου κατάλληλου εργαλείου.

Αλλαγή ενθέτου βάσης (εικ. 14)

Κίνδυνος!

Αν έχει υποστεί ζημιά το ένθετο βάσης (10), υπάρχει κίνδυνος να σφηνώσουν μικρά αντικείμενα ανάμεσα στο ένθετο βάσης και στη λάμα πριονιού και να μπλοκάρουν τη λάμα πριονιού.

Να αντικαθιστάτε άμεσα τα ένθετα βάσης που έχουν υποστεί ζημιά!

1. Ξεβιδώστε τις βίδες (E) του ενθέτου βάσης.
2. Αφαιρέστε το ένθετο βάσης.
3. Τοποθετήστε νέο ένθετο βάσης.
4. Σφίξτε τις βίδες (E) στο ένθετο βάσης.

Επιθεώρηση ψηκτρών

Ελέγχετε τις ψηκτρες σε ένα καινούργιο εργαλείο μετά τις πρώτες 50 ώρες λειτουργίας ή όταν τοποθετούνται καινούργιες ψηκτρες. Μετά τον πρώτο έλεγχο, ελέγχετε κάθε 10 ώρες λειτουργίας.

Εάν το καρβουνάκι έχει φθαρεί και έχει φτάσει σε μήκος 6 mm, εάν έχει καεί ή έχει υποστεί ζημιά το ελατήριο ή το σύρμα, πρέπει να αντικαταστήσετε και τις δύο ψηκτρες. Εάν οι ψηκτρες θεωρηθούν μετά την αφαίρεση ικανές για χρήση, μπορείτε να τις επανατοποθετήσετε.

Για τη συντήρηση των ψηκτρών άνθρακα ανοίξτε και τις δύο ασφαλίσεις (όπως απεικονίζεται στην εικόνα 15) περιστρέφοντας αριστερόστροφα. Κατόπιν αφαιρέστε τις ψηκτρες άνθρακα. Εισάγετε πάλι τις ψηκτρες άνθρακα με αντίστροφη σειρά ενεργειών.

Πληροφορίες σέρβις

Πρέπει να έχετε υπόψη σας ότι σε αυτό το προϊόν τα παρακάτω εξαρτήματα υπόκεινται σε φθορά ανάλογα με τη χρήση ή φυσική φθορά, δηλ. τα παρακάτω εξαρτήματα χρειάζονται ως αναλώσιμα.

Φθιρόμενα εξαρτήματα*: Ψηκτρες άνθρακα, λάμα πριονιού, ένθετα βάσης, σάκοι συλλογής πριονιδιού

* δεν περιλαμβάνονται υποχρεωτικά στο αντικείμενο παράδοσης!

12. Αποθήκευση

Φυλάτε το εργαλείο και τα αξεσουάρ του σε σκοτεινό, στεγνό χώρο χωρίς παγετό και μη προσβάσιμο σε παιδιά. Η ιδανική θερμοκρασία αποθήκευσης βρίσκεται μεταξύ 5 και 30 °C.

Φυλάτε το ηλεκτρικό εργαλείο στη γνήσια συσκευασία.

Καλύψτε το ηλεκτρικό εργαλείο, για προστασία από σκόνη ή υγρασία.

Φυλάσσετε τις οδηγίες χειρισμού μαζί με το ηλεκτρικό εργαλείο.

13. Ηλεκτρική σύνδεση

Ο εγκατεστημένος ηλεκτροκινητήρας έχει συνδεθεί ώστε να είναι έτοιμος για λειτουργία. Η σύνδεση συμμορφώνεται με τις ισχύουσες διατάξεις VDE και DIN. Η σύνδεση στο δίκτυο από την πλευρά του πελάτη καθώς και το χρησιμοποιούμενο καλώδιο επέκτασης πρέπει να συμμορφώνονται με αυτές τις προδιαγραφές.

Σημαντικές υποδείξεις

Σε περίπτωση υπερφόρτωσης του μοτέρ, διακόπτεται αυτόματα η λειτουργία του. Μετά από κάποιο χρόνο ψύξης (μεταβλητής διάρκειας) το μοτέρ μπορεί να ενεργοποιηθεί πάλι.

Καλώδιο ηλεκτρικής σύνδεσης με ζημιά

Στα καλώδια ηλεκτρικής σύνδεσης συχνά προκύπτουν ζημιές στη μόνωση.

Οι σχετικές αιτίες μπορεί να είναι:

- Θέσεις πίεσης, όταν καλώδια σύνδεσης περνούν μέσα από διάκενα παραθύρου ή πόρτας.
- Θέσεις τσακίσματος λόγω ακατάλληλης στερέωσης ή διέλευσης του καλωδίου σύνδεσης.
- Θέσεις διακοπής συνέχειας λόγω κοψίματος του καλωδίου σύνδεσης.
- Ζημιές στη μόνωση λόγω τραβήγματος από την πρίζα του τοίχου.
- ρηγματώσεις λόγω γήρανσης της μόνωσης.

Καλώδια ηλεκτρικής σύνδεσης με τέτοιες ζημιές δεν επιτρέπεται να χρησιμοποιηθούν και αποτελούν κίνδυνο για τη ζωή, λόγω των ζημιών στη μόνωση.

Ελέγχετε τακτικά τα καλώδια ηλεκτρικής σύνδεσης για τυχόν ζημιές. Προσέχετε ώστε κατά τον έλεγχο το καλώδιο σύνδεσης να μην είναι συνδεδεμένο στο δίκτυο ρεύματος.

Τα καλώδια ηλεκτρικής σύνδεσης πρέπει να συμμορφώνονται με τις ισχύουσες διατάξεις VDE και DIN. Χρησιμοποιείτε μόνο καλώδια σύνδεσης με τη σήμανση «H05VV-F».

Μια ετικέτα της ονομασίας τύπου πάνω στο καλώδιο σύνδεσης είναι υποχρεωτική.

Υποδείξεις ασφαλείας για την αντικατάσταση αγωγών ρεύματος δικτύου που έχουν υποστεί ζημιά ή βλάβη

Τύπος X:

Αν υποστεί ζημιά ο αγωγός ρεύματος δικτύου αυτής της συσκευής, αυτός πρέπει να αντικατασταθεί με ειδική γραμμή σύνδεσης, η οποία είναι διαθέσιμη από τον κατασκευαστή ή από κέντρο εξυπηρέτησης πελατών του.

Μοτέρ εναλλασσόμενου ρεύματος:

Η τάση ηλεκτρικού δικτύου πρέπει να είναι 220 - 240 V~.

- Τα καλώδια επέκτασης μέχρι μήκος 25 m πρέπει να έχουν διατομή 1,5 τετραγωνικού χιλιοστού.
- Συνδέσεις και επισκευές του ηλεκτρικού εξοπλισμού επιτρέπεται να γίνονται μόνο από εξειδικευμένο ηλεκτρολόγο.

Σε περίπτωση ερωτήσεων, να αναφέρετε τα εξής δεδομένα:

- Τύπος ρεύματος του μοτέρ
- Στοιχεία της πινακίδας τύπου του μοτέρ

14. Απόρριψη και ανακύκλωση

Η συσκευή είναι μέσα σε μια συσκευασία για την αποτροπή ζημιών από τη μεταφορά. Αυτή η συσκευασία είναι πρώτη ύλη και επομένως ανακυκλώσιμη ή μπορεί να τροφοδοτηθεί στον κύκλο πρώτων υλών.

Η συσκευή και τα αξεσουάρ της αποτελούνται από διάφορα υλικά, όπως π.χ. μέταλλα και πλαστικά. Πετάτε τα ελαττωματικά εξαρτήματα στους χώρους συλλογής ειδικών απορριμμάτων. Ρωτήστε στο κατάστημα ή στις υπηρεσίες του δήμου!



Η συσκευασία αποτελείται από υλικά φιλικά προς το περιβάλλον, τα οποία μπορείτε να απορρίψετε μέσω των τοπικών υπηρεσιών ανακύκλωσης.

Σχετικά με τις δυνατότητες απόρριψης της συσκευής στο τέλος της ωφέλιμης ζωής της μπορείτε να πληροφορηθείτε από τις τοπικές ή δημοτικές σας αρχές.

Οι παλιές συσκευές δεν επιτρέπεται να καταλήγουν στα οικιακά απορρίμματα!



Αυτό το σύμβολο υποδεικνύει ότι σύμφωνα με την Οδηγία περί αποβλήτων ηλεκτρικού και ηλεκτρονικού εξοπλισμού (2012/19/EE) και την εθνική νομοθεσία, αυτό το προϊόν δεν επιτρέπεται να απορριφθεί μέσω των οικιακών απορριμμάτων. Αυτό το προϊόν πρέπει να παραδοθεί σε σημείο συλλογής που προβλέπεται για το σκοπό αυτόν. Αυτό μπορεί να γίνει π.χ. με επιστροφή του κατά την αγορά ενός παρόμοιου προϊόντος ή με παράδοση σε εξουσιοδοτημένη θέση συλλογής για την ανακύκλωση αποβλήτων ηλεκτρικού και ηλεκτρονικού εξοπλισμού. Ο ακατάλληλος χειρισμός των παλιών συσκευών μπορεί να έχει αρνητικές επιπτώσεις στο περιβάλλον και στην ανθρώπινη υγεία, λόγω δυνητικά επικίνδυνων ουσιών οι οποίες συχνά περιέχονται στις μεταχειρισμένες ηλεκτρικές και ηλεκτρονικές συσκευές. Με τη σωστή απόρριψη αυτού του προϊόντος συμβάλλετε επιπλέον στην αποτελεσματική χρήση των φυσικών πόρων. Πληροφορίες σχετικά με τις εγκαταστάσεις συλλογής για μεταχειρισμένες συσκευές μπορείτε να λάβετε από τις δημοτικές σας αρχές, από τον αρμόδιο δημόσιο φορέα διαχείρισης αποβλήτων, από μια εξουσιοδοτημένη εγκατάσταση για την απόρριψη αποβλήτων ηλεκτρικού και ηλεκτρονικού εξοπλισμού ή από την υπηρεσία αποκομιδής απορριμμάτων.

Οι κοινές και οι επαναφορτιζόμενες μπαταρίες δεν επιτρέπεται να καταλήγουν στα οικιακά απορρίμματα!



Ως καταναλωτές έχετε τη νομική υποχρέωση, να παραδίδετε όλες τις κοινές και επαναφορτιζόμενες μπαταρίες, ανεξάρτητα αν περιέχουν επιβλαβείς ουσίες* ή όχι, σε μια θέση συλλογής στην κοινότητα/τη συνοικία σας ή σε κατάστημα, ώστε να μπορούν να οδηγηθούν προς απόρριψη με τρόπο φιλικό προς το περιβάλλον.

* επισημαίνονται με: Cd = κάδμιο, Hg = υδράργυρος, Pb = μόλυβδος

Αφαιρέστε τις μπαταρίες από τη συσκευή λέιζερ, πριν απορρίψετε τη συσκευή και τις μπαταρίες.

15. Αντιμετώπιση προβλημάτων

Πρόβλημα	Ενδεχόμενη αιτία	Αντιμετώπιση
Δεν λειτουργεί το μοτέρ	Βλάβη σε μοτέρ, καλώδιο ή φως, καμένες ασφάλειες δικτύου ρεύματος.	Αναθέστε τον έλεγχο του μηχανήματος σε εξειδικευμένο τεχνικό. Σε καμία περίπτωση μην επισκευάσετε μόνοι σας το μοτέρ. Κίνδυνος! Ελέγξτε τις ασφάλειες δικτύου ρεύματος, αντικαταστήστε αν χρειάζεται
Το μοτέρ ξεκινά αργά και δεν φθάνει την ταχύτητα λειτουργίας.	Τάση πολύ χαμηλή, ζημιές στις περιελίξεις, καμένος πυκνωτής.	Ζητήστε από την εταιρεία παροχής ρεύματος να ελέγξει την τάση. Αναθέστε τον έλεγχο του μοτέρ σε εξειδικευμένο τεχνικό. Αναθέστε την αντικατάσταση του πυκνωτή σε εξειδικευμένο τεχνικό.
Το μοτέρ παράγει πολύ θόρυβο.	Ζημιές στις περιελίξεις, βλάβη στο μοτέρ.	Αναθέστε τον έλεγχο του μοτέρ σε εξειδικευμένο τεχνικό.
Το μοτέρ δεν επιτυγχάνει την πλήρη ισχύ.	Υπερφορτωμένο ηλεκτρικό κύκλωμα στην εγκατάσταση ρεύματος δικτύου (φώτα, άλλα μοτέρ κλπ.).	Μη χρησιμοποιείτε άλλες συσκευές ή μοτέρ στο ίδιο ηλεκτρικό κύκλωμα.
Το μοτέρ υπερθερμαίνεται ελαφρά.	Υπερφόρτωση του μοτέρ, ανεπαρκής ψύξη του μοτέρ.	Αποτρέψτε την υπερφόρτωση του μοτέρ κατά την κοπή, αφαιρέστε τη σκόνη από το μοτέρ, ώστε να εξασφαλιστεί βέλτιστη ψύξη του μοτέρ.
Η κοπή είναι τραχιά ή κυματοειδής.	Στομωμένη λάμα πριονιού, ακατάλληλη μορφή δοντιών για το πάχος του υλικού.	Τροχίστε τη λάμα πριονιού ή χρησιμοποιήστε κατάλληλη λάμα πριονιού.
Το αντικείμενο εργασίας σχίζεται ή σπάζει.	Πολύ υψηλή πίεση κοπής ή λάμα πριονιού ακατάλληλη για τη χρήση.	Χρησιμοποιήστε κατάλληλη λάμα πριονιού.

16. Εγγύηση

Αξιοτίμη πελάτισσα, αξιοτίμη πελάτη,

Τα προϊόντα μας υπόκεινται σε αυστηρούς ελέγχους ποιότητας. Εάν παρ'όλα αυτά κάποτε δεν λειτουργήσουν άψογα, λυπούμαστε πολύ και σας παρακαλούμε να αποτανθείτε προς το τμήμαμας Εξυπηρέτησης Πελατών, στη διεύθυνση που αναφέρετε σε αυτή την εγγύηση. Ευχαρίσως σας βοηθούμε και τηλεφωνικά στον αριθμό που αναφέρετε πιο κάτω. Για την κατίσχυση των αξιώσεων εγγύησης ισχύουν τα εξής:

- Αυτοί οι όροι εγγύησης ρυθμίζουν πρόσθετες παροχές εγγύησης. Από την εγγύηση αυτή δεν θίγονται οι νόμιμες αξιώσεις σας για εγγύηση. Η παροχή της εγγύησής μας είναι για σας δωρεάν
- Η εγγύηση καλύπτει αποκλειστικά και μόνο βλάβες που οφείλονται σε ελατώματα υλικών ή παραγωγής και περιορίζονται στην αποκατάσταση αυτών των ελαττωμάτων ή την αντικατάσταση της συσκευής. Παρακαλούμε να προσέξετε πως οι συσκευές μας δεν προορίζονται για τη βιομηχανία, τη βιοτεχνία και την επαγγελματική χρήση. Για το λόγο αυτό δεν υφίσταται σύμβαση εγγύησης σε περίπτωση χρήσης της συσκευής στη βιομηχανία, βιοτεχνία, για επαγγελματικό ή άλλο παρόμοιο σκοπό. Από την εγγύησή μας αποκλείονται πέραν τούτου αποζημιώσεις για βλάβες μεταφοράς, βλάβες οφειλόμενες σε μη τήρηση της Οδηγίας συναρμολόγησης, ή σε εσφαλμένη εγκατάσταση, μη τήρηση της Οδηγίας χρήσης (π.χ. σύνδεση σε λάθος τάση δικτύου ή είδος ρεύματος), καταχρηστική ή όχι ορθή χρήση (π.χ. υπερφόρτωση ή χρήση μη εγκεκριμένων ανταλλακτικών εργαλείων ή εξαρτημάτων), μη τήρηση των Υποδείξεων συντήρησης και ασφαλείας, είσοδος ξένων αντικειμένων στη συσκευή (όπως π.χ. άμμος ή σκόνη), χρήση βίας ή εξωτερική επίδραση (όπως π.χ. βλάβες από πτώση) καθώς και βλάβες που οφείλονται σε κοινή φθορά.

Η αξίωση εγγύησης εκπίπτει σε περίπτωση που έγιναν ήδη ξένες επεμβάσεις στη συσκευή.

- Η διάρκεια της εγγύησης ανέρχεται σε 3 έτη και αρχίζει από την ημερομηνία αγοράς της συσκευής. Οι αξιώσεις εγγύησης πρέπει να κατασχυθούν πριν την πάροδο της προθεσμίας της εγγύησης εντός δύο εβδομάδων από την διαπίστωση του ελαττώματος. Αποκλείεται η κατίσχυση αξιώσεων εγγύησης μετά την πάροδο της προθεσμίας της εγγύησης. Με την αντικατάσταση της συσκευής, σύμφωνα με το ΝΟΜΟ 2251/1994, ξεκινάει εκ νέου ο χρόνος εγγύησης.
- Για την προβολή της αξίωσής σας έναντι της εγγύησης, παρακαλούμε να απευθυνθείτε στη διεύθυνση σέρβις που αναφέρεται παρακάτω. Εφόσον η αίτησή σας βρίσκεται εντός της περιόδου εγγύησης, θα θέσουμε στη διάθεσή σας ένα δελτίο επιστροφής, με το οποίο μπορείτε να μας αποστείλετε χωρίς χρέωσή σας την ελαττωματική συσκευή. Παρακαλούμε επίσης να μας περιγράψετε την αιτία για την διαμαρτυρία σας όσο πιο αναλυτικά γίνεται. Εάν το ελάττωμα της συσκευής σας καλύπτεται από την εγγύησή μας, είτε θα σας επιστραφεί ταχύτατα η επισκευασμένη συσκευή σας, είτε θα λάβετε μία νέα συσκευή

Φυσικά επισκευάζουμε ευχαρίστως έναντι αμοιβής και ελαττώματα στη συσκευή σας που δεν καλύπτονται ή δεν καλύπτονται πλέον από την εγγύηση. Για το σκοπό αυτό σας παρακαλούμε να αποστείλετε τη συσκευή σας στη διεύθυνση του τμήματος μας για Εξυπηρέτηση Πελατών

Ανοικτή γραμμή σέρβις (GR/CY):

00800 4003 4003

(0,00 €/Min.)

Διεύθυνση e-mail (GR):

service.GR@schepbach.com

Διεύθυνση e-mail (CY):

service.CY@schepbach.com

Διεύθυνση σέρβις (GR/CY):

GEORGE C SOLOMONIDES & SON LTD

PO.BOX 56236 / 169, LEONTIOS A'

GR - 3305 LIMASSOL/CYPRUS



Από τη διεύθυνση www.lidl-service.com μπορείτε να κατεβάσετε αυτό και πολλά άλλα εγχειρίδια, βίντεο προϊόντων και λογισμικό εγκατάστασης.

Με τον κώδικα QR μεταβαίνετε απευθείας στη σελίδα εξυπηρέτησης του Lidl (www.lidl-service.com) και μπορείτε να ανοίξετε τις οδηγίες χρήσης σας εισάγοντας τον κωδικό προϊόντος (IAN) 373880_2104.

Inhalt:	Seite:
1. Erklärung der Symbole auf dem Gerät.....	76
2. Einleitung	77
3. Gerätebeschreibung (Abb. 1-13).....	77
4. Lieferumfang	78
5. Bestimmungsgemäße Verwendung.....	78
6. Sicherheitshinweise	78
7. Technische Daten	82
8. Vor Inbetriebnahme	83
9. Aufbau und Bedienung.....	84
10. Transport (Abb. 13).....	86
11. Wartung.....	86
12. Lagerung.....	86
13. Elektrischer Anschluss.....	87
14. Entsorgung und Wiederverwertung.....	87
15. Störungsabhilfe	88
16. Garantiekunde	89
17. Explosionszeichnung.....	90
18. Konformitätserklärung.....	91

1. Erklärung der Symbole auf dem Gerät



DE AT CH

Vor Inbetriebnahme Bedienungsanleitung und Sicherheitshinweise lesen und beachten!



DE AT CH

Schutzbrille tragen!



DE AT CH

Gehörschutz tragen!



DE AT CH

Atemschutz tragen!



DE AT CH

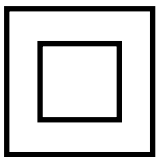
Achtung! Verletzungsgefahr! Nicht in das laufende Sägeblatt greifen!



Achtung! - Laserstrahlung
Nicht in den Strahl blicken!
Laser Klasse 2
Laserspezifikation nach EN 60825-1:2014
λ = 650 nm P_e < 1 mW

DE AT CH

Achtung! Laserstrahlung



DE AT CH

Schutzklasse II (Doppelisolierung)

2. Einleitung

Hersteller:

scheppach

Fabrikation von Holzbearbeitungsmaschinen GmbH
Günzburger Straße 69
D-89335 Ichenhausen

Verehrter Kunde,

Wir wünschen Ihnen viel Freude und Erfolg beim Arbeiten mit Ihrem neuen Gerät.

Hinweis:

Der Hersteller dieses Gerätes haftet nach dem geltenden Produkthaftungsgesetz nicht für Schäden, die an diesem Gerät oder durch dieses Gerät entstehen bei:

- unsachgemäßer Behandlung,
- Nichtbeachtung der Bedienungsanweisung,
- Reparaturen durch Dritte, nicht autorisierte Fachkräfte,
- Einbau und Austausch von nicht originalen Ersatzteilen,
- nicht bestimmungsgemäßer Verwendung,
- Ausfällen der elektrischen Anlage bei Nichtbeachtung der elektrischen Vorschriften und VDE-Bestimmungen 0100, DIN 57113 / VDE0113.

Beachten Sie:

Lesen Sie vor der Montage und vor Inbetriebnahme den gesamten Text der Bedienungsanleitung durch.

Diese Bedienungsanleitung soll es Ihnen erleichtern, Ihr Gerät kennenzulernen und dessen bestimmungsgemäßen Einsatzmöglichkeiten zu nutzen.

Die Bedienungsanleitung enthält wichtige Hinweise, wie Sie mit dem Gerät sicher, fachgerecht und wirtschaftlich arbeiten, und wie Sie Gefahren vermeiden, Reparaturkosten sparen, Ausfallzeiten verringern und die Zuverlässigkeit und Lebensdauer des Gerätes erhöhen.

Zusätzlich zu den Sicherheitsbestimmungen dieser Bedienungsanleitung müssen Sie unbedingt die für den Betrieb des Gerätes geltenden Vorschriften Ihres Landes beachten.

Bewahren Sie die Bedienungsanleitung, in einer Plastikhülle geschützt vor Schmutz und Feuchtigkeit, bei dem Gerät auf. Sie muss von jeder Bedienungsperson vor Aufnahme der Arbeit gelesen und sorgfältig beachtet werden.

An dem Gerät dürfen nur Personen arbeiten, die im Gebrauch des Gerätes unterwiesen und über die damit verbundenen Gefahren unterrichtet sind. Das geforderte Mindestalter ist einzuhalten.

Neben den in dieser Bedienungsanleitung enthaltenen Sicherheitshinweisen und den besonderen Vorschriften Ihres Landes sind die für den Betrieb von baugleichen Maschinen allgemein anerkannten technischen Regeln zu beachten.

Wir übernehmen keine Haftung für Unfälle oder Schäden, die durch Nichtbeachten dieser Anleitung und den Sicherheitshinweisen entstehen.

3. Gerätebeschreibung (Abb. 1-13)

1. Ein-/Ausschalter
 2. Sperrschalter
 3. Handgriff
 4. Maschinenkopf
 5. Sägeblattschutz beweglich
 6. Sägeblatt
 7. Feststellschraube für Drehtisch
 8. Anschlagsschiene
 - 8a. Verschiebbare Anschlagsschiene
 - 8b. Feststellschraube
 9. Feststehender Sägefisch
 10. Tischeinlage
 11. Skala
 12. Zeiger
 13. Drehtisch
 14. Feststellschraube für Werkstückauflage
 15. Spannvorrichtung (Werkstückspanner)
 16. Feststellschraube
 17. Spänefangsack
 18. Werkstückauflage
 19. Feststellschraube für Spannvorrichtung
 20. Feststellschraube für Kippssicherung
 21. Standbügel
 22. Justierschraube (45°)
 - 22a. Sicherungsmutter Justierschraube (45°)
 23. Feststellschraube
 24. Klemmgriff
 25. Sicherungsbolzen
 26. Justierschraube (90°)
 - 26a. Sicherungsmutter Justierschraube (90°)
 27. Skala
 28. Zeiger
 29. Flanschschrabe
 30. Außenflansch
 31. Führungsbügel
 32. Sägewellensperre
 33. Ein-/Ausschalter Laser
 34. Batterieabdeckung
 35. Laser
 36. Schraube (Laser)
 37. Transportgriff
- (A) 90° Anschlagwinkel (Im Lieferumfang nicht enthalten)
(B) 45° Anschlagwinkel (Im Lieferumfang nicht enthalten)
(C) Innensechskantschlüssel, 6 mm
(D) Innensechskantschlüssel, 3 mm
(E) Kreuzschlitzschraube (Tischeinlage)

4. Lieferumfang

- Kapp- und Gehrungssäge
- Spänesack
- Werkstückspanner
- Innensechskantschlüssel 6 mm (C)
- Innensechskantschlüssel 3 mm (D)
- 2x Werkstückauflagen
- Standbügel
- 2x Kohlebürsten
- 2x Batterien (AAA)
- Bedienungsanleitung

5. Bestimmungsgemäße Verwendung

Die Kapp- und Gehrungssäge dient zum Kappen von Holz und Kunststoff, entsprechend der Maschinengröße. Die Säge ist nicht zum Schneiden von Brennholz geeignet.

Warnung!

Verwenden Sie das Gerät nicht zum Schneiden anderer Materialien als in der Bedienungsanleitung beschrieben.

Warnung!

Das mitgelieferte Sägeblatt ist ausschließlich zum Sägen von Holz bestimmt! Verwenden Sie dieses nicht zum Sägen von Brennholz!

Die Maschine darf nur nach ihrer Bestimmung verwendet werden. Jede weitere darüber hinausgehende Verwendung ist nicht bestimmungsgemäß. Für daraus hervorgerufene Schäden oder Verletzungen aller Art haftet der Benutzer/Bediener und nicht der Hersteller.

Es dürfen nur für die Maschine geeignete Sägeblätter verwendet werden. Die Verwendung von Trennscheiben aller Art ist untersagt.

Bestandteil der bestimmungsgemäßen Verwendung ist auch die Beachtung der Sicherheitshinweise, sowie die Montageanleitung und Betriebshinweise in der Bedienungsanleitung.

Personen, welche die Maschine bedienen und warten, müssen mit dieser vertraut und über mögliche Gefahren unterrichtet sein.

Darüber hinaus sind die geltenden Unfallverhütungsvorschriften genauestens einzuhalten.

Sonstige allgemeine Regeln in arbeitsmedizinischen und sicherheitstechnischen Bereichen sind zu beachten.

Veränderungen an der Maschine schließen eine Haftung des Herstellers und daraus entstehende Schäden gänzlich aus.

Trotz bestimmungsmäßiger Verwendung können bestimmte Restrisikofaktoren nicht vollständig ausgeräumt werden. Bedingt durch Konstruktion und Aufbau der Maschine können folgende Punkte auftreten:

- Berührung des Sägeblattes im nicht abgedeckten Sägebereich.
- Eingreifen in das laufende Sägeblatt (Schnittverletzung).
- Rückschlag von Werkstücken und Werkstückteilen.
- Sägeblattbrüche.
- Herausschleudern von fehlerhaften Hartmetallteilen des Sägeblattes.
- Gehörschäden bei Nichtverwendung des nötigen Gehörschutzes.
- Gesundheitsschädliche Emissionen von Holzstäuben bei Verwendung in geschlossenen Räumen.

Bitte beachten Sie, dass unsere Geräte bestimmungsgemäß nicht für den gewerblichen, handwerklichen oder industriellen Einsatz konstruiert wurden. Wir übernehmen keine Gewährleistung, wenn das Gerät in Gewerbe-, Handwerks- oder Industriebetrieben sowie bei gleichzusetzenden Tätigkeiten eingesetzt wird.

6. Sicherheitshinweise

Allgemeine Sicherheitshinweise für Elektrowerkzeuge

⚠ WARNUNG! Lesen Sie alle Sicherheitshinweise, Anweisungen, Bebilderungen und technischen Daten, mit denen dieses Elektrowerkzeug versehen ist. Versäumnisse bei der Einhaltung der Sicherheitshinweise und Anweisungen können elektrischen Schlag, Brand und/oder schwere Verletzungen verursachen.

Bewahren Sie alle Sicherheitshinweise und Anweisungen für die Zukunft auf.

Der in den Sicherheitshinweisen verwendete Begriff „Elektrowerkzeug“ bezieht sich auf netzbetriebene Elektrowerkzeuge (mit Netzleitung) oder auf akkubetriebene Elektrowerkzeuge (ohne Netzleitung).

1. Arbeitsplatzsicherheit

- Halten Sie Ihren Arbeitsbereich sauber und gut beleuchtet.** Unordnung oder unbeleuchtete Arbeitsbereiche können zu Unfällen führen.
- Arbeiten Sie mit dem Elektrowerkzeug nicht in explosionsgefährdeter Umgebung, in der sich brennbare Flüssigkeiten, Gase oder Stäube befinden.** Elektrowerkzeuge erzeugen Funken, die den Staub oder die Dämpfe entzünden können.
- Halten Sie Kinder und andere Personen während der Benutzung des Elektrowerkzeugs fern.** Bei Ablenkung können Sie die Kontrolle über das Elektrowerkzeug verlieren.

2. Elektrische Sicherheit

- Der Anschlussstecker des Elektrowerkzeuges muss in die Steckdose passen.** Der Stecker darf in keiner Weise verändert werden. Verwenden Sie keine Adapterstecker gemeinsam mit schutzgeerdeten Elektrowerkzeugen. Unveränderte Stecker und passende Steckdosen verringern das Risiko eines elektrischen Schlages.
- Vermeiden Sie Körperkontakt mit geerdeten Oberflächen wie von Rohren, Heizungen, Herden und Kühlschränken. Es besteht ein erhöhtes Risiko durch elektrischen Schlag, wenn Ihr Körper geerdet ist.**
- Halten Sie Elektrowerkzeuge von Regen oder Nässe fern.** Das Eindringen von Wasser in ein Elektrowerkzeug erhöht das Risiko eines elektrischen Schlages.

- d) **Zweckentfremden Sie die Anschlussleitung nicht, um das Elektrowerkzeug zu tragen, aufzuhängen oder um den Stecker aus der Steckdose zu ziehen.** Halten Sie die Anschlussleitung fern von Hitze, Öl, scharfen Kanten oder sich bewegenden Teilen. Beschädigte oder verwickelte Anschlussleitungen erhöhen das Risiko eines elektrischen Schlages.
- e) **Wenn Sie mit einem Elektrowerkzeug im Freien arbeiten, verwenden Sie nur Verlängerungsleitungen, die auch für den Außenbereich geeignet sind.** Die Anwendung einer für den Außenbereich geeigneten Verlängerungsleitung verringert das Risiko eines elektrischen Schlages.
- f) **Wenn der Betrieb des Elektrowerkzeuges in feuchter Umgebung nicht vermeidbar ist, verwenden Sie einen Fehlerstromschutzschalter.** Der Einsatz eines Fehlerstromschutzschalters vermindert das Risiko eines elektrischen Schlages.

3. Sicherheit von Personen

- a) **Seien Sie aufmerksam, achten Sie darauf, was Sie tun, und gehen Sie mit Vernunft an die Arbeit mit einem Elektrowerkzeug. Benutzen Sie kein Elektrowerkzeug, wenn Sie müde sind oder unter dem Einfluss von Drogen, Alkohol oder Medikamenten stehen.** Ein Moment der Unachtsamkeit beim Gebrauch des Elektrowerkzeuges kann zu ernsthaften Verletzungen führen.
- b) **Tragen Sie persönliche Schutzausrüstung und immer eine Schutzbrille.** Das Tragen persönlicher Schutzausrüstung, wie Staubmaske, rutschfeste Sicherheitsschuhe, Schutzhelm oder Gehörschutz, je nach Art und Einsatz des Elektrowerkzeuges, verringert das Risiko von Verletzungen.
- c) **Vermeiden Sie eine unbeabsichtigte Inbetriebnahme. Vergewissern Sie sich, dass das Elektrowerkzeug ausgeschaltet ist, bevor Sie es an die Stromversorgung und/oder den Akku anschließen, es aufnehmen oder tragen.** Wenn Sie beim Tragen des Elektrowerkzeuges den Finger am Schalter haben oder das Elektrowerkzeug eingeschaltet an die Stromversorgung anschließen, kann dies zu Unfällen führen.
- d) **Entfernen Sie Einstellwerkzeuge oder Schraubenschlüssel, bevor Sie das Elektrowerkzeug einschalten.** Ein Werkzeug oder Schlüssel, der sich in einem drehenden Teil des Elektrowerkzeuges befindet, kann zu Verletzungen führen.
- e) **Vermeiden Sie eine abnormale Körperhaltung. Sorgen Sie für einen sicheren Stand und halten Sie jederzeit das Gleichgewicht.** Dadurch können Sie das Elektrowerkzeug in unerwarteten Situationen besser kontrollieren.
- f) **Tragen Sie geeignete Kleidung. Tragen Sie keine weite Kleidung oder Schmuck. Halten Sie Haare und Kleidung fern von sich bewegenden Teilen.** Lockere Kleidung, Schmuck oder lange Haare können von sich bewegenden Teilen erfasst werden.
- g) **Wenn Staubabsaug- und -auffangeinrichtungen montiert werden können, sind diese anzuschließen und richtig zu verwenden.** Verwendung einer Staubabsaugung kann Gefährdungen durch Staub verringern.
- h) **Wiegen Sie sich nicht in falscher Sicherheit und setzen Sie sich nicht über die Sicherheitsregeln für Elektrowerkzeuge hinweg, auch wenn Sie nach vielfachem Gebrauch mit dem Elektrowerkzeug vertraut sind.** Achtloses Handeln kann binnen Sekundenbruchteilen zu schweren Verletzungen führen.

4. Verwendung und Behandlung des Elektrowerkzeuges

- a) **Überlasten Sie das Elektrowerkzeug nicht.** Verwenden Sie für Ihre Arbeit das dafür bestimmte Elektrowerkzeug. Mit dem passenden Elektrowerkzeug arbeiten Sie besser und sicherer im angegebenen Leistungsbereich.
- b) **Benutzen Sie kein Elektrowerkzeug, dessen Schalter defekt ist. Ein Elektrowerkzeug, das sich nicht mehr ein- oder ausschalten lässt, ist gefährlich und muss repariert werden.**
- c) **Ziehen Sie den Stecker aus der Steckdose und/oder entfernen Sie einen abnehmbaren Akku, bevor Sie Geräteeinstellungen vornehmen, Einsatzwerkzeugteile wechseln oder das Elektrowerkzeug weglegen.** Diese Vorsichtsmaßnahme verhindert den unbeabsichtigten Start des Elektrowerkzeuges.
- d) **Bewahren Sie unbenutzte Elektrowerkzeuge außerhalb der Reichweite von Kindern auf.** Lassen Sie keine Personen das Elektrowerkzeug benutzen, die mit diesem nicht vertraut sind oder diese Anweisungen nicht gelesen haben. Elektrowerkzeuge sind gefährlich, wenn sie von unerfahrenen Personen benutzt werden.
- e) **Pflegen Sie Elektrowerkzeuge und Einsatzwerkzeug mit Sorgfalt.** Kontrollieren Sie, ob bewegliche Teile einwandfrei funktionieren und nicht klemmen, ob Teile gebrochen oder so beschädigt sind, dass die Funktion des Elektrowerkzeuges beeinträchtigt ist. Lassen Sie beschädigte Teile vor dem Einsatz des Elektrowerkzeuges reparieren. Viele Unfälle haben ihre Ursache in schlecht gewarteten Elektrowerkzeugen.
- f) **Halten Sie Schneidwerkzeuge scharf und sauber. Sorgfältig gepflegte Schneidwerkzeuge mit scharfen Schneidkanten verklemmen sich weniger und sind leichter zu führen.**
- g) **Verwenden Sie Elektrowerkzeug, Zubehör, Einsatzwerkzeuge usw. entsprechend diesen Anweisungen.** Berücksichtigen Sie dabei die Arbeitsbedingungen und die auszuführende Tätigkeit. Der Gebrauch von Elektrowerkzeugen für andere als die vorgesehenen Anwendungen kann zu gefährlichen Situationen führen.
- h) **Halten Sie Griffe und Griffflächen trocken, sauber und frei von Öl und Fett.** Rutschige Griffe und Griffflächen erlauben keine sichere Bedienung und Kontrolle des Elektrowerkzeuges in unvorhergesehenen Situationen.

5. Service

- a) **Lassen Sie Ihr Elektrowerkzeug nur von qualifiziertem Fachpersonal und nur mit Original-Ersatzteilen reparieren.** Damit wird sichergestellt, dass die Sicherheit des Elektrowerkzeuges erhalten bleibt.

Warnung!

Dieses Elektrowerkzeug erzeugt während des Betriebes ein elektromagnetisches Feld. Dieses Feld kann unter bestimmten Umständen aktive oder passive medizinische Implantate beeinträchtigen. Um die Gefahr von ernsthaften oder tödlichen Verletzungen zu verringern, empfehlen wir Personen mit medizinischen Implantaten ihren Arzt und den Hersteller vom medizinischen Implantat zu konsultieren, bevor das Elektrowerkzeug bedient wird.

Sicherheitshinweise für Gehrungskappsägen

- a) **Gehrungskappsägen sind zum Schneiden von Holz oder holzartigen Produkten vorgesehen, sie können nicht zum Schneiden von Eisenwerkstoffen wie Stäben, Stangen, Schrauben usw. verwendet werden.** Abrasiver Staub führt zum Blockieren von beweglichen Teilen wie der unteren Schutzhaube. Schneidfunken verbrennen die untere Schutzhaube, die Einlegeplatte und andere Kunststoffteile.
- b) **Fixieren Sie das Werkstück nach Möglichkeit mit Zwingen. Wenn Sie das Werkstück mit der Hand festhalten, müssen Sie ihre Hand immer mindestens 100 mm von jeder Seite des Sägeblatts entfernt halten. Verwenden Sie diese Säge nicht zum Schneiden von Stücken, die zu klein sind, um sie einzuspannen oder mit der Hand zu halten.** Wenn ihre Hand zu nahe am Sägeblatt ist, besteht ein erhöhtes Verletzungsrisiko durch Kontakt mit dem Sägeblatt.
- c) **Das Werkstück muss unbeweglich sein und entweder festgespannt oder gegen den Anschlag und den Tisch gedrückt werden. Schieben Sie das Werkstück nicht in das Sägeblatt und schneiden Sie nie „freihändig“.** Lose oder sich bewegende Werkstücke könnten mit hoher Geschwindigkeit herausgeschleudert werden und zu Verletzungen führen.
- d) **Schieben Sie die Säge durch das Werkstück. Vermeiden Sie es, die Säge durch das Werkstück zu ziehen. Für einen Schnitt heben Sie den Sägekopf und ziehen ihn über das Werkstück, ohne zu schneiden. Dann schalten Sie den Motor ein, schwenken den Sägekopf nach unten und drücken die Säge durch das Werkstück.** Bei ziehendem Schnitt besteht die Gefahr, dass das Sägeblatt am Werkstück aufsteigt und die Sägeblatteinheit dem Bediener gewaltsam entgegengeschleudert wird.
- e) **Kreuzen Sie nie die Hand über die vorgesehene Schnittlinie, weder vor noch hinter dem Sägeblatt.** Abstützen des Werkstücks „mit gekreuzten Händen“, d. h. Halten des Werkstücks rechts neben dem Sägeblatt mit der linken Hand oder umgekehrt, ist sehr gefährlich.

- f) **Greifen Sie bei rotierendem Sägeblatt nicht hinter den Anschlag. Unterschreiten Sie nie einen Sicherheitsabstand von 100 mm zwischen Hand und rotierendem Sägeblatt (gilt auf beiden Seiten des Sägeblatts, z. B. beim Entfernen von Holzabfällen).** Die Nähe des rotierenden Sägeblatts zu ihrer Hand ist möglicherweise nicht erkennbar, und Sie können schwer verletzt werden.
- g) **Prüfen Sie das Werkstück vor dem Schneiden. Wenn das Werkstück gebogen oder verzogen ist, spannen Sie es mit der nach außen gekrümmten Seite zum Anschlag. Stellen Sie immer sicher, dass entlang der Schnittlinie kein Spalt zwischen Werkstück, Anschlag und Tisch ist.** Gebogene oder verzogene Werkstücke können sich verdrehen oder verlagern und ein Klemmen des rotierenden Sägeblatts beim Schneiden verursachen. Es dürfen keine Nägel oder Fremdkörper im Werkstück sein.
- h) **Verwenden Sie die Säge erst, wenn der Tisch frei von Werkzeugen, Holzabfällen usw. ist; nur das Werkstück darf sich auf dem Tisch befinden.** Kleine Abfälle, lose Holzstücke oder andere Gegenstände, die mit dem rotierenden Blatt in Berührung kommen, können mit hoher Geschwindigkeit weggeschleudert werden.
- i) **Schneiden Sie jeweils nur ein Werkstück.** Mehrfach gestapelte Werkstücke lassen sich nicht angemessen spannen oder festhalten und können beim Sägen ein Klemmen des Blatts verursachen oder verrutschen.
- j) **Sorgen Sie dafür, dass die Gehrungskappsäge vor Gebrauch auf einer ebenen, festen Arbeitsfläche steht.** Eine ebene und feste Arbeitsfläche verringert die Gefahr, dass die Gehrungskappsäge instabil wird.
- k) **Planen Sie ihre Arbeit. Achten Sie bei jedem Verstellen der Sägeblattneigung oder des Gehrungswinkels darauf, dass der verstellbare Anschlag richtig justiert ist und das Werkstück abstürzt, ohne mit dem Blatt oder der Schutzhaube in Berührung zu kommen.** Ohne die Maschine einzuschalten und ohne Werkstück auf dem Tisch ist eine vollständige Schnittbewegung des Sägeblatts zu simulieren, um sicherzustellen, dass es nicht zu Behinderungen oder der Gefahr des Schneidens in den Anschlag kommt.
- l) **Sorgen Sie bei Werkstücken, die breiter oder länger als die Tischoberseite sind, für eine angemessene Abstützung, z. B. durch Tischverlängerungen oder Sägeböcke.** Werkstücke, die länger oder breiter als der Tisch der Gehrungskappsäge sind, können kippen, wenn sie nicht fest abgestützt sind. Wenn ein abgeschnittenes Stock Holz oder das Werkstück kippt, kann es die untere Schutzhaube anheben oder unkontrolliert vom rotierenden Blatt weggeschleudert werden.
- m) **Ziehen Sie keine anderen Personen als Ersatz für eine Tischverlängerung oder zur zusätzlichen Abstützung heran.** Eine instabile Abstützung des Werkstücks kann zum Klemmen des Blatts führen. Auch kann sich das Werkstück während des Schnitts verschieben und Sie und den Helfer in das rotierende Blatt ziehen.

- n) **Das abgeschnittene Stück darf nicht gegen das rotierende Sägeblatt gedrückt werden.** Wenn wenig Platz ist, z. B. bei Verwendung von Längsanschlägen, kann sich das abgeschnittene Stück mit dem Blatt verkeilen und gewaltsam weggeschleudert werden.
- o) **Verwenden Sie immer eine Zwinde oder eine geeignete Vorrichtung, um Rundmaterial wie Stangen oder Rohre ordnungsgemäß abzustützen.** Stangen neigen beim Schneiden zum Wegrollen, wodurch sich das Blatt „festbeißen“ und das Werkstück mit Ihrer Hand in das Blatt gezogen werden kann.
- p) **Lassen Sie das Blatt die volle Drehzahl erreichen, bevor Sie in das Werkstück schneiden.** Dies verringert das Risiko, dass das Werkstück fortgeschleudert wird.
- q) **Wenn das Werkstück eingeklemmt wird oder das Blatt blockiert, schalten Sie die Gehungskappsäge aus. Warten Sie, bis alle beweglichen Teile zum Stillstand gekommen sind, ziehen Sie den Netzstecker und/oder nehmen Sie den Akku heraus. Entfernen Sie anschließend das eingeklemmte Material.** Wenn Sie bei einer solchen Blockierung weitersägen, kann es zum Verlust der Kontrolle oder zu Beschädigungen der Gehungskappsäge kommen.
- r) **Lassen Sie nach beendetem Schnitt den Schalter los, halten Sie den Sägekopf unten und warten Sie den Stillstand des Blatts ab, bevor Sie das abgeschnittene Stück entfernen.** Es ist sehr gefährlich, mit der Hand in die Nähe des auslaufenden Blatts zu reichen.
- s) **Halten Sie den Handgriff gut fest, wenn Sie einen unvollständigen Sägeschnitt ausführen oder wenn Sie den Schalter loslassen, bevor der Sägekopf seine untere Lage erreicht hat.** Durch die Bremswirkung der Säge kann der Sägekopf ruckartig nach unten gezogen werden, was zu einem Verletzungsrisiko führt.

Sicherheitshinweise für den Umgang mit Sägeblättern

1. Verwenden Sie keine beschädigten oder deformierten Sägeblätter.
2. Verwenden Sie keine Sägeblätter mit Rissen. Mustern Sie gerissene Sägeblätter aus. Eine Instandsetzung ist nicht zulässig.
3. Verwenden Sie keine aus Schnellarbeitsstahl gefertigten Sägeblätter.
4. Kontrollieren Sie den Zustand der Sägeblätter, bevor Sie die Kapp- und Gehungssäge benutzen.
5. Verwenden Sie ausschließlich Sägeblätter, die für den zu schneidenden Werkstoff geeignet sind.
6. Verwenden Sie nur die vom Hersteller festgelegten Sägeblätter. Die Sägeblätter müssen, wenn Sie zum Bearbeiten von Holz oder ähnlichen Werkstoffen vorgesehen sind, EN 847-1 entsprechen.
7. Verwenden Sie keine Sägeblätter aus hochlegiertem Schnellarbeitsstahl (HSS).
8. Verwenden Sie nur Sägeblätter, deren höchstzulässige Drehzahl nicht geringer ist als die maximale Spindeldrehzahl der Kapp- und Gehungssäge und die für den zu schneidenden Werkstoff geeignet sind.

9. Beachten Sie die Drehrichtung des Sägeblatts.
10. Setzen Sie nur Sägeblätter ein, wenn Sie den Umgang damit beherrschen.
11. Beachten Sie die Höchstdrehzahl. Die auf dem Sägeblatt angegebene Höchstdrehzahl darf nicht überschritten werden. Halten Sie, falls angegeben, den Drehzahlbereich ein.
12. Reinigen Sie die Spannflächen von Verschmutzungen, Fett, Öl und Wasser.
13. Verwenden Sie keine losen Reduzierringe oder -buchsen zum Reduzieren von Bohrungen bei Sägeblättern.
14. Achten Sie darauf, dass fixierte Reduzierringe zum Sichern des Sägeblatts den gleichen Durchmesser und mindestens 1/3 des Schnittdurchmessers haben.
15. Stellen Sie sicher, dass fixierte Reduzierringe parallel zueinander sind.
16. Handhaben Sie Sägeblätter mit Vorsicht. Bewahren Sie sie am besten in der Originalverpackung oder speziellen Behältnissen auf. Tragen Sie Schutzhandschuhe, um die Griffsicherheit zu verbessern und das Verletzungsrisiko weiter zu mindern.
17. Stellen Sie vor der Benutzung von Sägeblättern sicher, dass alle Schutzvorrichtungen ordnungsgemäß befestigt sind.
18. Vergewissern Sie sich vor dem Einsatz, dass das von Ihnen benutzte Sägeblatt den technischen Anforderungen dieser Kapp- und Gehungssäge entspricht und ordnungsgemäß befestigt ist.
19. Benutzen Sie das mitgelieferte Sägeblatt nur für Sägearbeiten in Holz, niemals zum Bearbeiten von Metallen.
20. Verwenden Sie nur eine Sägeblatt mit einem Durchmesser entsprechend den Angaben auf der Säge.
21. Verwenden Sie zusätzliche Werkstück-Auflagen, wenn dies für die Stabilität des Werkstück notwendig ist.
22. Die Verlängerungen der Werkstückauflage müssen während der Arbeit immer befestigt und verwendet werden.
23. Ersetzen Sie die abgenutzte Tischeinlage!
24. Vermeiden Sie ein Überhitzen der Sägezähne.
25. Vermeiden Sie beim Sägen von Kunststoffen, dass der Kunststoff schmilzt. Verwenden Sie dazu die richtigen Sägeblätter. Tauschen Sie die beschädigten oder abgenutzten Sägeblätter rechtzeitig aus. Wenn sich das Sägeblatt überhitzt, stoppen Sie die Maschine. Lassen Sie das Sägeblatt zuerst abkühlen, bevor Sie mit dem Elektrowerkzeug erneut arbeiten.



Achtung: Laserstrahlung
Nicht in den Strahl blicken
Laserklasse 2



Schützen Sie sich und Ihre Umwelt durch geeignete Vorsichtsmaßnahmen vor Unfallgefahren!

- Nicht direkt mit ungeschütztem Auge in den Laserstrahl blicken.
- Niemals direkt in den Strahlengang blicken.
- Den Laserstrahl nie auf reflektierende Flächen und Personen oder Tiere richten. Auch ein Laserstrahl mit geringer Leistung kann Schäden am Auge verursachen.

- Vorsicht - wenn andere als die hier angegebenen Verfahrensweisen ausgeführt werden, kann dies zu einer gefährlichen Strahlungsexposition führen.
- Lasermodul niemals öffnen. Es könnte unerwartet zu einer Strahlenexposition kommen.
- Wenn Sie das Gerät längere Zeit nicht benutzen, sollten die Batterien entfernt werden.
- Der Laser darf nicht gegen einen Laser anderen Typs ausgetauscht werden.
- Reparaturen am Laser dürfen nur vom Hersteller des Lasers oder einem autorisierten Vertreter vorgenommen werden.

Sicherheitshinweise zum Umgang mit Batterien


1. Jederzeit darauf achten, dass die Batterien mit der richtigen Polarität (+ und -) eingesetzt werden, wie sie auf der Batterie angegeben ist.
2. Batterien nicht kurzschließen.
3. Nicht wiederaufladbare Batterien nicht laden.
4. Batterie nicht überentladen!
5. Alte und neue Batterien sowie Batterien unterschiedlichen Typs oder Herstellers nicht mischen! Alle Batterien eines Satzes gleichzeitig wechseln.
6. Verbrauchte Batterien unverzüglich aus dem Gerät entfernen und richtig entsorgen! Werfen Sie Batterien nicht in den Hausmüll. Defekte oder verbrauchte Batterien müssen gemäß Richtlinie 2006/66/EC recycelt werden. Geben Sie Batterien und / oder das Gerät über die angebotene Sammeleinrichtungen zurück. Über Entsorgungsmöglichkeiten können Sie sich bei Ihrer Gemeinde- oder Stadtverwaltung informieren.
7. Batterien nicht erhitzen!
8. Nicht direkt an Batterien schweißen oder löten!
9. Batterien nicht auseinander nehmen!
10. Batterien nicht deformieren!
11. Batterien nicht ins Feuer werfen!
12. Batterien außerhalb der Reichweite von Kindern aufbewahren.
13. Kindern nicht ohne Aufsicht das Wechseln von Batterien gestatten!
14. Bewahren Sie Batterien nicht in der Nähe von Feuer, Herden oder anderen Wärmequellen auf. Legen Sie die Batterie nicht in direkte Sonneneinstrahlung, benutzen oder lagern Sie diese nicht bei heißem Wetter in Fahrzeugen.
15. Unbenutzte Batterien in der Originalverpackung aufbewahren und von Metallgegenständen fern halten. Ausgepackte Batterien nicht mischen oder durcheinander werfen! Dies kann zum Kurzschluss der Batterie und damit zu Beschädigungen, zu Verbrennungen oder gar zu Brandgefahr führen.
16. Batterien aus dem Gerät entnehmen, wenn dieses für längere Zeit nicht benutzt wird, außer es ist für Notfälle!
17. Batterien, die ausgelaufen sind NIEMALS ohne entsprechenden Schutz anfassen. Wenn die ausgelaufene Flüssigkeit mit der Haut in Berührung kommt, sollten Sie die Haut in diesem Bereich sofort unter laufendem Wasser abspülen. Verhindern Sie in jedem Fall, dass Augen und Mund mit der Flüssigkeit in Berührung kommen. Suchen Sie in einem solchen Fall bitte umgehend einen Arzt auf.
18. Batteriekontakte und auch die Gegenkontakte im Gerät vor dem Einlegen der Batterien reinigen.

Restrisiken

Das Elektrowerkzeug ist nach dem Stand der Technik und den anerkannten sicherheitstechnischen Regeln gebaut. Dennoch können beim Arbeiten einzelne Restrisiken auftreten.

- Gefährdung der Gesundheit durch Strom bei Verwendung nicht ordnungsgemäßer Elektro-Anschlussleitungen.
- Desweiteren können trotz aller getroffener Vorkehrungen nicht offensichtliche Restrisiken bestehen.
- Restrisiken können minimiert werden, wenn die „Sicherheitshinweise“ und die „Bestimmungsgemäße Verwendung“, sowie die Bedienungsanweisung insgesamt beachtet werden.
- Belasten Sie die Maschine nicht unnötig: zu starker Druck beim Sägen beschädigt das Sägeblatt schnell, was zu einer Leistungsverminderung der Maschine bei der Verarbeitung und in der Schnittgenauigkeit führt.
- Beim Schneiden von Plastikmaterial verwenden Sie bitte immer Klemmen: die Teile, die gesägt werden sollen, müssen immer zwischen den Klemmen fixiert werden.
- Vermeiden Sie zufällige Inbetriebsetzungen der Maschine: beim Einführen des Steckers in die Steckdose darf die Starttaste nicht gedrückt werden.
- Verwenden Sie das Werkzeug, das in diesem Handbuch empfohlen wird. So erreichen Sie, dass Ihre Maschine optimale Leistungen erbringt.
- Halten Sie Ihre Hände vom Arbeitsbereich fern, wenn die Maschine in Betrieb ist.
- Bevor Sie Einstell- oder Wartungsarbeiten vornehmen, lassen Sie die Starttaste los und ziehen den Netzstecker.

7. Technische Daten

Wechselstrommotor.....	220 - 240 V~ 50Hz
Nennleistung S1	1200 Watt
Betriebsart.....	S6 25%* 1500W
Leerlaufdrehzahl n ₀	5000 min ⁻¹
Hartmetallsägeblatt.....	∅ 210 x ∅ 30 x 2,6 mm
Anzahl der Zähne	48
Maximale Zahnbreite des Sägeblattes.....	3 mm
Schwenkbereich	-45° / 0° / +45°
Gehrungsschnitt.....	0° bis 45° nach links
Sägebreite bei 90°	120 x 60 mm
Sägebreite bei 45°	80 x 60 mm
Sägebreite bei 2 x 45° (Doppelgehrungsschnitt).....	80 x 35 mm
Schutzklasse	II / 
Gewicht.....	ca. 7,6 kg
Laserklasse.....	2
Wellenlänge Laser	650 nm
Leistung Laser.....	< 1 mW

* Betriebsart S6, ununterbrochener periodischer Betrieb. Der Betrieb setzt sich aus einer Anlaufzeit, einer Zeit mit konstanter Belastung und einer Leerlaufzeit zusammen. Die Spieldauer beträgt 10 min, die relative Einschaltzeitdauer beträgt 25% der Spieldauer.

Das Werkstück muss mindestens eine Höhe von 3 mm und eine Breite von 10 mm haben. Achten Sie darauf, dass das Werkstück immer mit der Spannvorrichtung gesichert wird.

Geräusch

Die Geräuschwerte wurden entsprechend EN 62841 ermittelt.

Schalldruckpegel L_{pA} 99,6 dB(A)

Unsicherheit K_{pA} 3 dB

Schalleistungspegel L_{WA} 112,6 dB(A)

Unsicherheit K_{WA} 3 dB

Tragen Sie einen Gehörschutz.

Die Einwirkung von Lärm kann Gehörverlust bewirken.

Die angegebenen Geräuschemissionswerte sind nach einem genormten Prüfverfahren gemessen worden und können zum Vergleich eines Elektrowerkzeugs mit einem anderen verwendet werden.

Die angegebenen Geräuschemissionswerte können auch zu einer vorläufigen Einschätzung der Belastung verwendet werden.

Warnung:

- Die Geräuschemissionen können während der tatsächlichen Benutzung des Elektrowerkzeugs von den Angabewerten abweichen, abhängig von der Art und Weise, in der das Elektrowerkzeug verwendet wird, insbesondere, welche Art von Werkstück bearbeitet wird.
- Versuchen Sie, die Belastung so gering wie möglich zu halten. Beispielhafte Maßnahmen die Begrenzung der Arbeitszeit. Dabei sind alle Anteile des Betriebszyklus zu berücksichtigen (beispielsweise Zeiten, in denen das Elektrowerkzeug abgeschaltet ist, und solche, in denen es zwar eingeschaltet ist, aber ohne Belastung läuft).

8. Vor Inbetriebnahme

- Öffnen Sie die Verpackung und nehmen Sie das Gerät vorsichtig heraus.
- Entfernen Sie das Verpackungsmaterial sowie Verpackungs- und Transportsicherungen (falls vorhanden).
- Überprüfen Sie, ob der Lieferumfang vollständig ist.
- Kontrollieren Sie das Gerät und die Zubehörteile auf Transportschäden.
- Bewahren Sie die Verpackung nach Möglichkeit bis zum Ablauf der Garantiezeit auf.

ACHTUNG

Gerät und Verpackungsmaterialien sind kein Kinderspielzeug! Kinder dürfen nicht mit Kunststoffbeutel, Folien und Kleinteilen spielen! Es besteht Verschluckungs- und Erstickungsgefahr!

Sorgen Sie immer für Standsicherheit und Sicherung der Maschine, indem Sie diese z.B. an einer Werkbank befestigen.

- Die Maschine muss standsicher aufgestellt werden. Sichern Sie die Maschine durch die Bohrungen am feststehenden Sägefisch (9) mit 4 Schrauben (nicht im Lieferumfang enthalten) auf einer Werkbank, einem Untergestell o. ä..
- Vor Inbetriebnahme müssen alle Abdeckungen und Sicherheitsvorrichtungen ordnungsgemäß montiert sein.
- Das Sägeblatt muss frei laufen können.

- Bei bereits bearbeitetem Holz auf Fremdkörper, wie z.B. Nägel oder Schrauben, usw. achten.
- Bevor Sie den Ein-/Ausschalter betätigen, vergewissern Sie sich, ob das Sägeblatt richtig montiert ist und bewegliche Teile leichtgängig sind.
- Überzeugen Sie sich vor dem Anschließen der Maschine, dass die Daten auf dem Typenschild mit den Netzdaten übereinstimmen.

8.1 Montage des Werkstückspanners (Abb. 2)

- Lösen Sie die Feststellschraube (19) und montieren den Werkstückspanner (15) links oder rechts am feststehenden Sägefisch.
- Anschließend ziehen Sie die Feststellschraube (19) wieder an.

8.2 Montage der Werkstückauflagen (Abb. 2 - 3)

- Lösen Sie die Feststellschraube (14) und führen die Werkstückauflage durch die vorgesehene Bohrung seitlich am feststehenden Sägefisch.
- Achten Sie darauf, dass die Werkstückauflage (18) ebenso durch die beiden Laschen an der Unterseite geführt wird.
- Anschließend ziehen Sie die Feststellschraube (14) wieder fest.
- Diesen Vorgang wiederholen Sie ebenso auf der anderen Seite.

8.3 Montage des Standbügels (Abb. 2 - 3)

- Lösen Sie die Feststellschraube (20) an der Unterseite der Säge und führen den Standbügel (21) durch die vorgesehenen Bohrungen an der Rückseite der Säge.
- Anschließend ziehen Sie die Feststellschraube (20) wieder an.

8.4 Spänefangsack (Abb. 4)

Die Säge ist mit einem Spänefangsack (17) für Späne ausgestattet.

- Drücken Sie die Metallringflügel des Staubbeutels zusammen und bringen Sie ihn an der Auslassöffnung im Motorbereich an.
- Der Spänefangsack (17) kann über den Reißverschluss auf der Unterseite entleert werden.

Anschluss an eine externe Staubabsaugung

- Schließen Sie den Absaugschlauch an die Staubabsaugung an.
- Die Staubabsaugung muss für das zu bearbeitende Material geeignet sein.
- Benutzen Sie zum Absaugen von besonders gesundheitsschädlichen oder krebserregenden Stäuben eine spezielle Absaugvorrichtung.

8.5 Prüfung Sicherheitseinrichtung Sägeblattschutz beweglich (5)

Der Sägeblattschutz schützt vor versehentlichem Berühren des Sägeblattes und vor herumfliegenden Spänen.

Funktion überprüfen.

Dazu die Säge nach unten klappen:

- Der Sägeblattschutz muss das Sägeblatt beim Herunterschwenken freigeben, ohne andere Teile zu berühren.
- Beim Hochklappen der Säge in die Ausgangsstellung muss der Sägeblattschutz automatisch das Sägeblatt abdecken.

9. Aufbau und Bedienung

9.1 Kapp- und Gehrungssäge aufbauen (Abb. 1 - 3)

- Den Drehtisch (13) durch Lockern der Feststellschraube (7) lösen.
- Mit dem Handgriff (3) den Drehtisch (13) auf den gewünschten Winkel einstellen.

HINWEIS

Die Kappsäge kann mit dem Drehtisch nach links und rechts gedreht werden. Anhand der Skala ist eine absolut exakte Winklereinstellung möglich. Die Winkel 0° bis 45° können durch Rastereinstellungen nach jeweils 15° , $22,5^\circ$, 30° präzise und schnell eingestellt werden.

- Die Feststellschraube (7) wieder festziehen, um den Drehtisch zu fixieren.
- Durch leichtes Drücken des Maschinenkopfes (4) nach unten und gleichzeitiges Herausziehen des Sicherungsbolzens (25) aus der Motorhalterung, wird die Säge aus der unteren Stellung entriegelt.
- Maschinenkopf (4) nach oben schwenken.
- Die Spannvorrichtung (15) kann sowohl links als auch rechts an dem feststehenden Sägefisch (9) befestigt werden. Stecken Sie die Spannvorrichtung (15) in die dafür vorgesehene Bohrung an der Hinterseite der Anschlagsschiene (8) und sichern diese über die Feststellschraube (19).
- Der Maschinenkopf (4) kann durch Lösen der Feststellschraube (23), nach links auf max. 45° geneigt werden.
- Die Werkstückauflagen (18) müssen während der Arbeit immer befestigt und verwendet werden.

9.2 Feinjustierung des Anschlags für Kappschnitt 90° (Abb. 5)

Anschlagwinkel nicht im Lieferumfang enthalten.

- Den Maschinenkopf (4) nach unten senken und mit dem Sicherungsbolzen (25) fixieren.
- Feststellschraube (23) lockern.
- Anschlagwinkel (A) zwischen Sägeblatt (6) und Drehtisch (13) anlegen.
- Lösen Sie die Sicherungsmutter (26a).
- Die Justierschraube (26) soweit verstellen, bis der Winkel zwischen Sägeblatt (6) und Drehtisch (13) 90° beträgt.
- Ziehen Sie die Sicherungsmutter (26a) wieder fest.

9.3 Kappschnitt 90° und Drehtisch 0°

(Abb. 1/2/3/6)

Achtung! Die verschiebbare Anschlagsschiene (8a) muss für 90° - Kappschnitte in der inneren Position fixiert werden.

- Öffnen Sie die Feststellschraube (8b) der verschiebbaren Anschlagsschiene (8a) und schieben Sie die verschiebbare Anschlagsschiene (8a) nach innen.
- Die verschiebbare Anschlagsschiene (8a) muss soweit vor der innersten Position arretiert werden, dass der Abstand zwischen Anschlagsschiene (8a) und Sägeblatt (6) maximal 8 mm beträgt.
- Prüfen Sie vor dem Schnitt, dass zwischen der Anschlagsschiene (8a) und dem Sägeblatt (6) keine Kollision möglich ist.
- Feststellschraube (8b) wieder anziehen.
- Maschinenkopf (4) in die obere Position bringen.
- Legen Sie das zu schneidende Holz an die Anschlagsschiene (8) und auf den Drehtisch (13).

- Das Material mit den Spannvorrichtungen (15) auf dem feststehenden Sägefisch (9) feststellen, um ein Verschieben während des Schneidvorgangs zu verhindern. Siehe Punkt 9.12.
- Sperrschalter (2) entriegeln und Ein-/Ausschalter (1) drücken, um den Motor einzuschalten.
- Maschinenkopf (4) mit dem Handgriff (3) gleichmäßig und mit leichtem Druck nach unten bewegen, bis das Sägeblatt (6) das Werkstück durchgeschnitten hat.
- Nach Beendigung des Sägevorgangs Maschinenkopf wieder in die obere Ruhestellung bringen und Ein-/Ausschalter (1) loslassen.

Achtung!

Durch die Rückholfeder schlägt die Maschine automatisch nach oben. Handgriff (3) nach Schnittende nicht loslassen, sondern Maschinenkopf langsam und unter leichtem Gegenruck nach oben bewegen.

9.4 Kappschnitt 90° und Drehtisch 0° - 45° (Abb. 1/2/3/6)

Mit der Kapp- und Gehrungssäge können Schrägschnitte nach links und rechts von 0° - 45° ausgeführt werden.

Achtung!

Die verschiebbare Anschlagsschiene (8a) muss für 90° -Kappschnitte in der inneren Position fixiert werden.

- Öffnen Sie die Feststellschraube (8b) der verschiebbaren Anschlagsschiene (8a) und schieben Sie die verschiebbare Anschlagsschiene (8a) nach innen.
- Die verschiebbare Anschlagsschiene (8a) muss soweit vor der innersten Position arretiert werden, dass der Abstand zwischen Anschlagsschiene (8a) und Sägeblatt (6) maximal 8 mm beträgt.
- Prüfen Sie vor dem Schnitt, dass zwischen der Anschlagsschiene (8a) und dem Sägeblatt (6) keine Kollision möglich ist.
- Feststellschraube (8b) wieder anziehen
- Den Drehtisch (13) durch Lockern der Feststellschraube (7) lösen.
- Mit dem Handgriff (3) den Drehtisch (13) auf den gewünschten Winkel einstellen
- Die Feststellschraube (7) wieder festziehen, um den Drehtisch zu fixieren.
- Schnitt wie unter Punkt 9.3 beschrieben ausführen.

9.5 Feinjustierung des Anschlags für Gehrungsschnitt 45° (Abb. 1/2/3/6/7/8)

Anschlagwinkel nicht im Lieferumfang enthalten.

- Den Maschinenkopf (4) nach unten senken und mit dem Sicherungsbolzen (25) fixieren.
- Den Drehtisch (13) auf 0° Stellung fixieren.
- Achtung! Die verschiebbare Anschlagsschiene (8a) muss für Gehrungsschnitte (geneigter Sägekopf) in der äußeren Position fixiert werden.
- Öffnen Sie die Feststellschraube (8b) der verschiebbaren Anschlagsschiene (8a) und schieben Sie die verschiebbaren Anschlagsschiene (8a) nach außen.
- Die verschiebbare Anschlagsschiene (8a) muss soweit vor der innersten Position arretiert werden, dass der Abstand zwischen Anschlagsschiene (8a) und Sägeblatt (6) maximal 8 mm beträgt.

- Prüfen Sie vor dem Schnitt, dass zwischen der Anschlagsschiene (8a) und dem Sägeblatt (6) keine Kollision möglich ist.
- Feststellschraube (8b) wieder anziehen.
- Die Feststellschraube (23) lösen und mit dem Handgriff (3) den Maschinenkopf (4) nach links, auf 45° neigen.
- 45°-Anschlagwinkel (B) zwischen Sägeblatt (6) und Drehtisch (13) anlegen.
- Sicherungsmutter (22a) lösen und Justierschraube (22) so weit verstellen, bis der Winkel zwischen Sägeblatt (6) und Drehtisch (13) genau 45° beträgt.
- Ziehen Sie die Sicherungsmutter (22a) wieder fest.
- Überprüfen Sie abschließend die Position der Winkelanzeige. Falls erforderlich, Zeiger (28) mit Kreuzschlitzschraubendreher lösen, auf 45°-Position der Skala (27) setzen und Halteschraube wieder festziehen.

9.6 Gehrungsschnitt 0° - 45° und Drehtisch 0° (Abb. 1/2/3/6)

Mit der Kapp- und Gehrungssäge können Gehrungsschnitte nach links von 0° - 45° zur Arbeitsfläche ausgeführt werden.

Achtung!

Die verschiebbare Anschlagsschiene (8a) muss für Gehrungsschnitte (geneigter Sägekopf) in der äußeren Position fixiert werden.

Achtung!

Bei Gehrungsschnitten 0° - 45° ist die Spannvorrichtung (Werkstückspanner) (15) nur rechts zu montieren.

- Öffnen Sie die Feststellschraube (8b) der verschiebbaren Anschlagsschienen (8a) und schieben Sie die verschiebbaren Anschlagsschienen (8a) nach außen.
- Die verschiebbare Anschlagsschiene (8a) muss soweit vor der innersten Position arretiert werden, dass der Abstand zwischen Anschlagsschiene (8a) und Sägeblatt (6) maximal 8 mm beträgt.
- Prüfen Sie vor dem Schnitt, dass zwischen der Anschlagsschiene (8a) und dem Sägeblatt (6) keine Kollision möglich ist.
- Feststellschraube (8b) wieder anziehen
- Maschinenkopf (4) in die obere Stellung bringen.
- Den Drehtisch (13) auf 0° Stellung fixieren.
- Die Feststellschraube (23) lösen und mit dem Handgriff (3) den Maschinenkopf (4) nach links neigen, bis der Zeiger (28) auf das gewünschte Winkelmaß an der Skala (27) zeigt.
- Feststellschraube (23) wieder festziehen.
- Schnitt wie unter Punkt 9.3 beschrieben durchführen.

9.7 Gehrungsschnitt 0° - 45° und Drehtisch 0° - 45° (Abb. 1/2/3/6)

Mit der Kapp- und Gehrungssäge können Gehrungsschnitte nach links von 0° - 45° zur Arbeitsfläche und gleichzeitig 0° - 45° zur Anschlagsschiene ausgeführt werden (Doppelgehrungsschnitt).

Achtung!

Die verschiebbare Anschlagsschiene (8a) muss für Gehrungsschnitte (geneigter Sägekopf) in der äußeren Position fixiert werden.

Achtung!

Bei Gehrungsschnitten 0° - 45° ist die Spannvorrichtung (Werkstückspanner) (15) nur rechts zu montieren.

- Öffnen Sie die Feststellschraube (8b) der verschiebbaren Anschlagsschienen (8a) und schieben Sie die verschiebbaren Anschlagsschienen (8a) nach außen.
- Die verschiebbare Anschlagsschiene (8a) muss soweit vor der innersten Position arretiert werden, dass der Abstand zwischen Anschlagsschiene (8a) und Sägeblatt (6) maximal 8 mm beträgt.
- Prüfen Sie vor dem Schnitt, dass zwischen der Anschlagsschiene (8a) und dem Sägeblatt (6) keine Kollision möglich ist.
- Feststellschraube (8b) wieder anziehen
- Maschinenkopf (4) in die obere Stellung bringen.
- Den Drehtisch (13) durch Lockern der Feststellschraube (7) lösen.
- Mit dem Handgriff (3) den Drehtisch (13) auf den gewünschten Winkel einstellen
- Die Feststellschraube (7) wieder festziehen, um den Drehtisch zu fixieren.
- Die Feststellschraube (23) lösen.
- Mit dem Handgriff (3) den Maschinenkopf (4) nach links, auf das gewünschte Winkelmaß neigen (siehe hierzu auch Punkt 9.6).
- Feststellschraube (23) wieder festziehen.
- Schnitt wie unter Punkt 9.3 beschrieben ausführen.

9.8 Austausch des Sägeblatts (Abb. 1/2/3/9/10) Netzstecker ziehen!

Achtung!

Tragen Sie zum Wechseln des Sägeblatts Schutzhandschuhe! Verletzungsgefahr!

- Den Maschinenkopf (4) nach oben schwenken und mit dem Sicherungsbolzen (25) arretieren.
- Sägeblattschutz (5) soweit nach oben klappen, dass der Sägeblattschutz (5) über der Flanschschraube (29) ist.
- Mit einer Hand den Innensechskantschlüssel (C) auf die Flanschschraube (29) setzen.
- Innensechskantschlüssel (C) festhalten und Sägeblattschutz (5) langsam schließen, bis dieser am Innensechskantschlüssel (C) ansteht.
- Sägewellensperre (32) fest drücken und Flanschschraube (29) langsam im Uhrzeigersinn drehen. Nach max. einer Umdrehung rastet die Sägewellensperre (32) ein.
- Jetzt mit etwas mehr Kraftaufwand Flanschschraube (29) im Uhrzeigersinn lösen.
- Flanschschraube (29) ganz heraus drehen und Außenflansch (30) abnehmen.
- Das Sägeblatt (6) vom Innenflansch abnehmen und nach unten herausziehen.
- Flanschschraube (29), Außenflansch (30) und Innenflansch sorgfältig reinigen.
- Das neue Sägeblatt (6) in umgekehrter Reihenfolge wieder einsetzen und festziehen.
- Achtung! Die Schnittrichtung der Zähne d.h. die Drehrichtung des Sägeblattes (6), muss mit der Richtung des Pfeils auf dem Gehäuse übereinstimmen.
- Vor dem Weiterarbeiten die Funktionsfähigkeit der Schutzeinrichtungen prüfen.

- Achtung! Nach jedem Sägeblattwechsel prüfen, ob das Sägeblatt (6) in senkrechter Stellung sowie auf 45° gekippt, frei in der Tischeinlage (10) läuft.

Achtung!

Das Wechseln und Ausrichten des Sägeblattes (6) muss ordnungsgemäß ausgeführt werden.

9.9 Wechseln der Laserbatterien (Abb. 11)

- Entfernen Sie die Batterieabdeckung (34). Entnehmen Sie die 2 Batterien.
- Ersetzen Sie beide Batterien durch die gleichen oder gleichwertige Batterietypen. Achten Sie darauf, dass sie in der gleichen Polrichtung eingesetzt sind wie die verbrauchten Batterien.
- Schließen Sie die Batterieabdeckung.

9.10 Ein- / Ausschalten des Lasers (Abb. 11)

Einschalten:

Ein- / Ausschalter (33) Laser in Stellung „I“ bewegen. Auf das zu bearbeitende Werkstück wird eine Laserlinie projiziert, welche die genaue Schnittführung anzeigt.

Ausschalten:

Ein- / Ausschalter Laser in Stellung „0“ bewegen.

9.11 Justieren des Lasers (Abb. 12)

Falls der Laser (35) nicht mehr die korrekte Schnittlinie anzeigt, kann dieser nachjustiert werden. Öffnen Sie hierzu die Schrauben (36) und stellen Sie den Laser durch seitliches verschieben so ein, dass der Laserstrahl die Schneidzähne des Sägeblattes (6) trifft.

9.12 Bedienung des Werkstückspanners (Abb. 1/2)

Über die Feststellschraube (16) kann der Werkstückspanner (15) in der Höhe eingestellt werden.

- Senken Sie den Werkstückspanner auf das Werkstück ab.
- Ziehen Sie die Feststellschraube (16) fest an.
- Klemmgriff (24) im Uhrzeigersinn drehen, um das Werkstück zu spannen.
- Um das Werkstück zu lösen, gehen Sie in umgekehrter Reihenfolge vor.

10. Transport (Abb. 13)

- Feststellschraube (7) festziehen, um den Drehtisch (13) zu verriegeln.
- Maschinenkopf (4) nach unten drücken und mit Sicherungsbolzen (25) arretieren. Die Säge ist nun in der unteren Stellung verriegelt.
- Maschine am Transportgriff (37) tragen.
- Zum erneuten Aufbau der Maschine, wie unter Kapitel 8 - 9 beschrieben vorgehen.

11. Wartung

⚠ Warnung!

Vor jeglicher Einstellung, Instandhaltung oder Instandsetzung Netzstecker ziehen!

Allgemeine Wartungsmaßnahmen

Wischen Sie von Zeit zu Zeit mit einem Tuch Späne und Staub von der Maschine ab. Ölen Sie zur Verlängerung des Werkzeuglebens einmal pro Monat die Drehteile. Ölen Sie nicht den Motor.

Benutzen Sie zur Reinigung des Kunststoffes keine ätzenden Mittel.

Reinigung Sicherheitseinrichtung Sägeblattschutz beweglich (5)

Prüfen Sie vor jeglicher Inbetriebnahme den Sägeblattschutz auf Verunreinigungen.

Entfernen Sie alte Sägespäne sowie Holzsplitter unter Zuhilfenahme eines Pinsels oder eines ähnlich geeigneten Werkzeuges.

Tischeinlage wechseln (Abb. 14)

Gefahr!

Bei einer beschädigten Tischeinlage (10) besteht die Gefahr, dass sich kleine Gegenstände zwischen Tischeinlage und Sägeblatt verklemmen und das Sägeblatt blockieren.

Tauschen Sie beschädigte Tischeinlagen sofort aus!

1. Schrauben (E) der Tischeinlage herausdrehen.
2. Tischeinlage abnehmen.
3. Neue Tischeinlage einsetzen.
4. Schrauben (E) an Tischeinlage festziehen.

Bürsteninspektion

Prüfen Sie die Kohlebürsten bei einer neuen Maschine nach den ersten 50 Betriebsstunden, oder wenn neue Bürsten montiert wurden. Prüfen Sie sie nach der ersten Prüfung alle 10 Betriebsstunden.

Wenn der Kohlenstoff auf 6 mm Länge abgenutzt ist, die Feder oder der Nebenschlußdraht verbrannt oder beschädigt sind, müssen Sie beide Bürsten ersetzen. Wenn die Bürsten nach dem Ausbau für einsatzfähig befunden werden, können Sie sie wieder einbauen.

Zur Wartung der Kohlebürsten öffnen Sie die beiden Verriegelungen (wie in Abbildung 15 dargestellt) entgegen dem Uhrzeigersinn. Entnehmen Sie anschließend die Kohlebürsten. Setzen Sie die Kohlebürsten in umgedrehter Reihenfolge wieder ein.

Service-Informationen

Es ist zu beachten, dass bei diesem Produkt folgende Teile einem gebrauchsgemäßen oder natürlichen Verschleiß unterliegen bzw. folgende Teile als Verbrauchsmaterialien benötigt werden.

Verschleißteile*: Kohlebürsten, Sägeblatt, Tischeinlagen, Spänefangsäcke

* nicht zwingend im Lieferumfang enthalten!

12. Lagerung

Lagern Sie das Gerät und dessen Zubehör an einem dunklen, trockenen und frostfreiem sowie für Kinder unzugänglichem Ort. Die optimale Lagertemperatur liegt zwischen 5 und 30°C. Bewahren Sie das Elektrowerkzeug in der Originalverpackung auf.

Decken Sie das Elektrowerkzeug ab, um es vor Staub oder Feuchtigkeit zu schützen.

Bewahren Sie die Bedienungsanleitung bei dem Elektrowerkzeug auf.

13. Elektrischer Anschluss

Der installierte Elektromotor ist betriebsfertig angeschlossen. Der Anschluss entspricht den einschlägigen VDE- und DIN-Bestimmungen. Der kundenseitige Netzanschluss sowie die verwendete Verlängerungsleitung müssen diesen Vorschriften entsprechen.

Wichtige Hinweise

Bei Überlastung des Motors schaltet dieser selbständig ab. Nach einer Abkühlzeit (zeitlich unterschiedlich) lässt sich der Motor wieder einschalten.

Schadhafte Elektro-Anschlussleitung

An elektrischen Anschlussleitungen entstehen oft Isolationsschäden.

Ursachen hierfür können sein:

- Druckstellen, wenn Anschlussleitungen durch Fenster oder Türspalten geführt werden.
- Knickstellen durch unsachgemäße Befestigung oder Führung der Anschlussleitung.
- Schnittstellen durch Überfahren der Anschlussleitung.
- Isolationsschäden durch Herausreißen aus der Wandsteckdose.
- Risse durch Alterung der Isolation.

Solch schadhafte Elektro-Anschlussleitungen dürfen nicht verwendet werden und sind aufgrund der Isolationsschäden lebensgefährlich.

Elektrische Anschlussleitungen regelmäßig auf Schäden überprüfen. Achten Sie darauf, dass beim Überprüfen die Anschlussleitung nicht am Stromnetz hängt.

Elektrische Anschlussleitungen müssen den einschlägigen VDE- und DIN-Bestimmungen entsprechen. Verwenden Sie nur Anschlussleitungen mit Kennzeichnung „H05VV-F“.

Ein Aufdruck der Typenbezeichnung auf dem Anschlusskabel ist Vorschrift.

Sicherheitshinweise für den Austausch beschädigter oder defekter Netzanschlussleitungen

Typ X:

Wenn die Netzanschlussleitung dieses Gerätes beschädigt wird, muss sie durch eine besondere Anschlussleitung ersetzt werden, die vom Hersteller oder seinem Kundendienst erhältlich ist.

Wechselstrommotor:

Die Netzspannung muss 220 - 240 V~ betragen.

- Verlängerungsleitungen bis 25 m Länge müssen einen Querschnitt von 1,5 Quadratmillimeter aufweisen.
- Anschlüsse und Reparaturen der elektrischen Ausrüstung dürfen nur von einer Elektro-Fachkraft durchgeführt werden.

Bei Rückfragen bitte folgende Daten angeben:

- Stromart des Motors
- Daten des Motor-Typenschildes

14. Entsorgung und Wiederverwertung

Das Gerät befindet sich in einer Verpackung um Transportschäden zu verhindern. Diese Verpackung ist Rohstoff und ist somit wieder verwendbar oder kann dem Rohstoffkreislauf zurückgeführt werden.

Das Gerät und dessen Zubehör bestehen aus verschiedenen Materialien, wie z.B. Metall und Kunststoffe. Führen Sie defekte Bauteile der Sondermüllentsorgung zu. Fragen Sie im Fachgeschäft oder in der Gemeindeverwaltung nach!



Die Verpackung besteht aus umweltfreundlichen Materialien, die Sie über die örtlichen Recyclingstellen entsorgen können.

Möglichkeiten zur Entsorgung des ausgedienten Gerätes erfahren Sie bei Ihrer Gemeinde- oder Stadtverwaltung.

Altgeräte dürfen nicht in den Hausmüll!



Dieses Symbol weist darauf hin, dass dieses Produkt gemäß Richtlinie über Elektro- und Elektronik-Altgeräte (2012/19/EU) und nationalen Gesetzen nicht über den Hausmüll entsorgt werden darf. Dieses Produkt muss bei einer dafür vorgesehenen Sammelstelle abgegeben werden. Dies kann z. B. durch Rückgabe beim Kauf eines ähnlichen Produkts oder durch Abgabe bei einer autorisierten Sammelstelle für die Wiederaufbereitung von Elektro- und Elektronik-Altgeräten geschehen. Der unsachgemäße Umgang mit Altgeräten kann aufgrund potentiell gefährlicher Stoffe, die häufig in Elektro und Elektronik-Altgeräten enthalten sind, negative Auswirkungen auf die Umwelt und die menschliche Gesundheit haben. Durch die sachgemäße Entsorgung dieses Produkts tragen Sie außerdem zu einer effektiven Nutzung natürlicher Ressourcen bei. Informationen zu Sammelstellen für Altgeräte erhalten Sie bei Ihrer Stadtverwaltung, dem öffentlich-rechtlichen Entsorgungsträger, einer autorisierten Stelle für die Entsorgung von Elektro- und Elektronik-Altgeräten oder Ihrer Müllabfuhr.

Batterien und Akkus dürfen nicht in den Hausmüll!



Als Verbraucher sind Sie gesetzlich verpflichtet, alle Batterien und Akkus, egal ob sie Schadstoffe* enthalten oder nicht, bei einer Sammelstelle in Ihrer Gemeinde/Ihrem Stadtteil oder im Handel abzugeben, damit sie einer umweltschonenden Entsorgung zugeführt werden können.

* gekennzeichnet mit: Cd = Cadmium, Hg = Quecksilber, Pb = Blei

Entnehmen Sie die Batterien aus dem Laser, bevor Sie das Gerät und die Batterien entsorgen.

15. Störungsabhilfe

Störung	Mögliche Ursache	Abhilfe
Motor funktioniert nicht	Motor, Kabel oder Stecker defekt, Netzsicherungen durchgebrannt.	Maschine vom Fachmann überprüfen lassen. Nie Motor selbst reparieren. Gefahr! Netzsicherungen kontrollieren, evtl. austauschen
Der Motor geht langsam an und erreicht die Betriebsgeschwindigkeit nicht.	Spannung zu niedrig, Wicklungen beschädigt, Kondensator durchgebrannt.	Spannung durch Elektrizitätswerk kontrollieren lassen. Motor durch einen Fachmann kontrollieren lassen. Kondensator durch einen Fachmann austauschen lassen.
Motor macht zu viel Lärm.	Wicklungen beschädigt, Motor defekt.	Motor durch einen Fachmann kontrollieren lassen.
Motor erreicht volle Leistung nicht.	Stromkreise in Netzanlage überlastet (Lampen, andere Motoren, etc.).	Verwenden Sie keine andere Geräte oder Motoren auf demselben Stromkreis.
Motor überhitzt sich leicht.	Überlastung des Motors, ungenügende Kühlung des Motors.	Überlastung des Motors beim Schneiden verhindern, Staub vom Motor entfernen, damit eine optimale Kühlung des Motors gewährleistet ist.
Sägeschnitt ist rau oder gewellt.	Sägeblatt stumpf, Zahnform nicht geeignet für die Materialdicke.	Sägeblatt nachschärfen bzw. geeignetes Sägeblatt einsetzen.
Werkstück reißt aus bzw. splittert.	Schnittdruck zu hoch bzw. Sägeblatt für Einsatz nicht geeignet.	Geeignetes Sägeblatt einsetzen.

16. Garantieurkunde

Sehr geehrte Kundin, sehr geehrter Kunde,

unsere Produkte unterliegen einer strengen Qualitätskontrolle. Sollte dieses Gerät dennoch einmal nicht einwandfrei funktionieren, bedauern wir dies sehr und bitten Sie, sich an unseren Servicedienst unter der auf dieser Garantiekarte angegebenen Adresse zu wenden. Gern stehen wir Ihnen auch telefonisch über die unten angegebene Servicrufnummer zur Verfügung. Für die Geltendmachung von Garantieansprüchen gilt Folgendes:

- Diese Garantiebedingungen regeln zusätzliche Garantieleistungen. Ihre gesetzlichen Gewährleistungsansprüche werden von dieser Garantie nicht berührt. Unsere Garantieleistung ist für Sie kostenlos.
- Die Garantieleistung erstreckt sich ausschließlich auf Mängel, die auf Material- oder Herstellungsfehler zurückzuführen sind und ist auf die Behebung dieser Mängel bzw. den Austausch des Gerätes beschränkt. Bitte beachten Sie, dass unsere Geräte bestimmungsgemäß nicht für den gewerblichen, handwerklichen oder industriellen Einsatz konstruiert wurden. Ein Garantievertrag kommt daher nicht zustande, wenn das Gerät in Gewerbe-, Handwerks- oder Industriebetrieben sowie bei gleichzusetzenden Tätigkeiten eingesetzt wird. Von unserer Garantie sind ferner Ersatzleistungen für Transportschäden, Schäden durch Nichtbeachtung der Montageanleitung oder aufgrund nicht fachgerechter Installation, Nichtbeachtung der Gebrauchsanleitung (wie durch z. B. Anschluss an eine falsche Netzspannung oder Stromart), missbräuchliche oder unsachgemäße Anwendungen (wie z. B. Überlastung des Gerätes oder Verwendung von nicht zugelassenen Einsatzwerkzeugen oder Zubehör), Nichtbeachtung der Wartungs- und Sicherheitsbestimmungen, Eindringen von Fremdkörpern in das Gerät (wie z. B. Sand, Steine oder Staub), Gewaltanwendung oder Fremdeinwirkungen (wie z. B. Schäden durch Herunterfallen) sowie durch verwendungsgemäßen, üblichen Verschleiß ausgeschlossen.

Der Garantieanspruch erlischt, wenn an dem Gerät bereits Eingriffe vorgenommen wurden.

- Die Garantiezeit beträgt 3 Jahre und beginnt mit dem Kaufdatum des Gerätes. Garantieansprüche sind vor Ablauf der Garantiezeit innerhalb von zwei Wochen, nachdem Sie den Defekt erkannt haben, geltend zu machen. Die Geltendmachung von Garantieansprüchen nach Ablauf der Garantiezeit ist ausgeschlossen. Die Reparatur oder der Austausch des Gerätes führt weder zu einer Verlängerung der Garantiezeit noch wird eine neue Garantiezeit durch diese Leistung für das Gerät oder für etwaige eingebaute Ersatzteile in Gang gesetzt. Dies gilt auch bei Einsatz eines Vor-Ort-Services.
- Für die Geltendmachung Ihres Garantieanspruches wenden Sie sich bitte an die unten angegebene Service-Adresse. Sofern die Reklamation innerhalb der Garantiezeit liegt, werden wir Ihnen einen Retourenschein zur Verfügung stellen, mit dem Sie Ihr defektes Gerät kostenfrei an uns zurücksenden können. Beschreiben Sie uns bitte den Reklamationsgrund möglichst genau. Ist der Defekt des Gerätes von unserer Garantieleistung erfasst, erhalten Sie umgehend ein repariertes oder neues Gerät zurück.

Selbstverständlich beheben wir gegen Erstattung der Kosten auch gerne Defekte am Gerät, die vom Garantiumfang nicht oder nicht mehr erfasst sind. Dazu senden Sie das Gerät bitte an unsere Serviceadresse.

Service-Hotline (DE):

00800 4003 4003
(0,00 EUR/Min.)

Service-Hotline (AT):

00800 4003 4003
(0,00 EUR/Min.)

Service-Hotline (CH):

00800 4003 4003
(0,00 EUR/Min.)

Service-E-Mail (DE):

service.DE@scheppach.com

Service-E-Mail (AT):

service.AT@scheppach.com

Service-E-Mail (CH):

service.CH@scheppach.com

Service-Adresse (DE):

scheppach Fabrikation von
Holzbearbeitungsmaschinen GmbH
Günzburger Str. 69
DE - 89335 Ichenhausen

Service-Adresse (AT):

Gausch Hubert
Bairisch Kölldorf 267
AT - 8344 Bad Gleichenberg

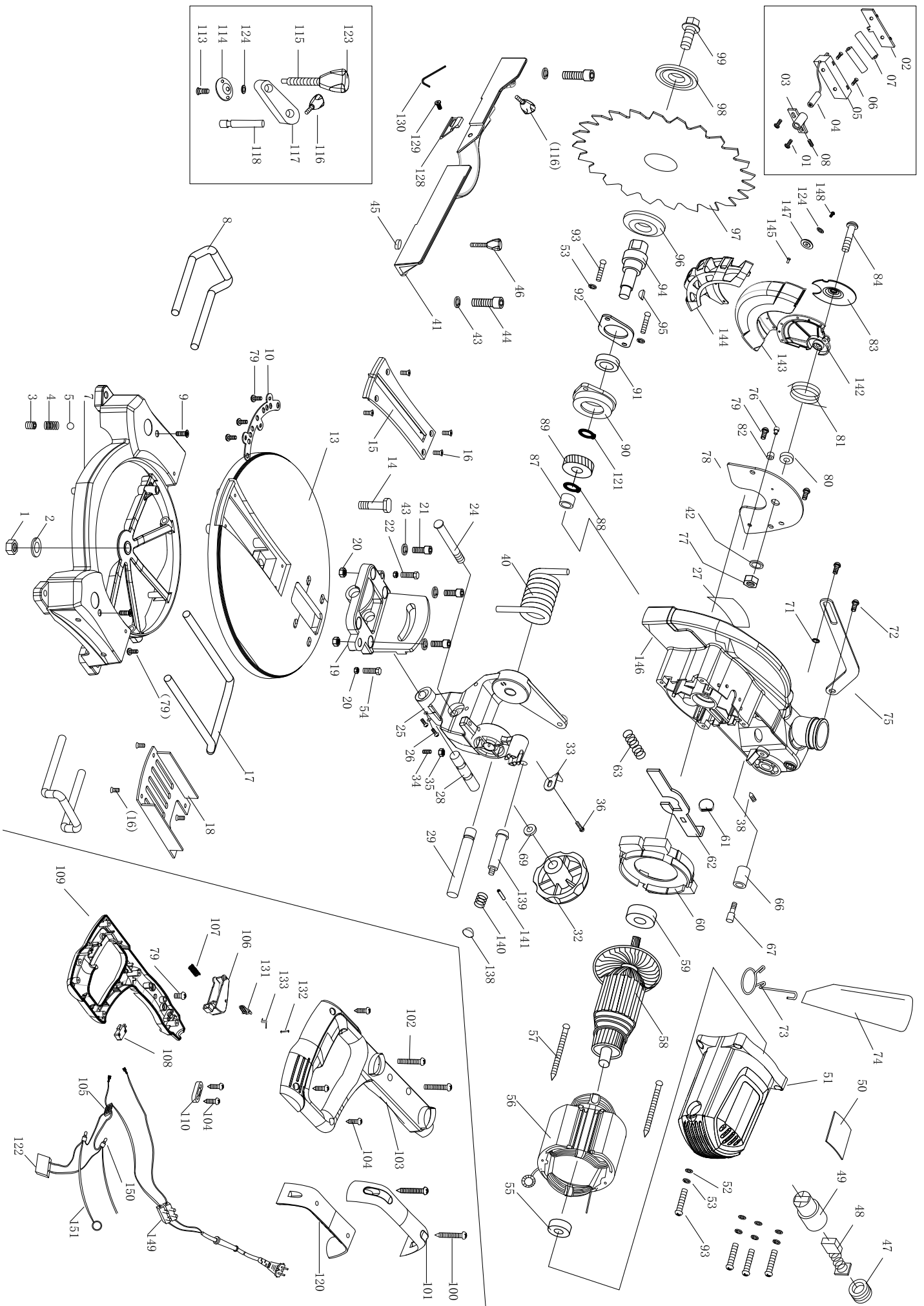
Service-Adresse (CH):

Klaus-Häberling AG
Industriestraße 6
CH - 8610 Uster



Auf www.lidl-service.com können Sie diese und viele weitere Handbücher, Produktvideos und Installationssoftware herunterladen.

Mit dem QR-Code gelangen Sie direkt auf die Lidl-Service-Seite (www.lidl-service.com) und können mittels der Eingabe der Artikelnummer (IAN) 373880_2104 ihre Bedienungsanleitung öffnen.



CE Declaration of Conformity
Translation of the original CE declaration of conformity
CE-Konformitätserklärung
Originalkonformitätserklärung



scheppach Fabrikation von Holzbearbeitungsmaschinen GmbH, Günzburger Str. 69, D-89335 Ichenhausen

DE	erklärt folgende Konformität gemäß EU-Richtlinie und Normen für den Artikel	PL	deklaruje, że produkt jest zgodny z następującymi dyrektywami UE i normami
GB	hereby declares the following conformity under the EU Directive and standards for the following article	LT	pareiškia, taip atitiktis pagal ES direktyvos ir standartai šį straipsnį
FR	déclare la conformité suivante selon la directive UE et les normes pour l'article	HU	az EU-irányelv és a vonatkozó szabványok szerinti következő megfeleléségi nyilatkozatot teszi a termékre
IT	dichiara la seguente conformità secondo le direttive e le normative UE per l'articolo	SI	izjavlja slededco skladnost z EU-direktivo in normami za artikel
ES	declara la conformidad siguiente según la directiva la UE y las normas para el artículo	CZ	prohlašuje následující shodu podle smernice EU a norem pro výrobek
PT	declara o seguinte conformidade com a Directiva da UE e as normas para o seguinte artigo	GR	δηλώνει την ακόλουθη συμμόρφωση σύμφωνα με την Οδηγία ΕΚ και τα πρότυπα για το προϊόν
DK	erklærer hermed, at følgende produkt er i overensstemmelse med nedenstående EUDirektiver og standarder	HR	ovime izjavljuje da postoji skladnost prema EU-smjernica i normama za sljedece artikle
NL	verklaart hierbij dat het volgende artikel voldoet aan de daarop betrekking hebbende EG-richtlijnen en normen	RS	potvrđuje sledeću usklađenost prema smernicama EZ i normama za artikal
FI	vakuuttaa täten, että seuraava tuote täyttää ala esitettyt EU-direktiivit ja standardit	RO	declară următoarea conformitate corespunzător directivelor și normelor UE pentru articolul
SE	försäkrar härmed följande överensstämmelse enligt EU-direktiv och standarder för följande artikeln	BG	декларира съответното съответствие съгласно Дирек-тива на ЕС и норми за артикул

Brand / Marke:

Parkside

Article name:

CROSS CUT MITRE SAW - PKS 1500 B3

Art.-Bezeichnung:

KAPP- UND GEHRUNGSSÄGE - PKS 1500 B3

Art. no. / Art.-Nr.:

3901240974 - 3901240980; 39012409915 - 39012409916

Ident. no. / Ident.-Nr.:

01001 - 236967

<input type="checkbox"/> 2014/29/EU	<input type="checkbox"/> 2004/22/EC	<input type="checkbox"/> 89/686/EC_96/58/EC	<input type="checkbox"/> 2000/14/EC_2005/88/EC
<input type="checkbox"/> 2014/35/EU	<input type="checkbox"/> 2014/68/EU	<input type="checkbox"/> 90/396/EC	Annex V
<input checked="" type="checkbox"/> 2014/30/EU	<input checked="" type="checkbox"/> 2011/65/EU*		Annex VI Noise: measured $L_{WA} = xx$ dB(A); guaranteed $L_{WA} = xx$ dB(A) P = xx KW; L/Ø = cm Notified Body: Notified Body No.:
<input checked="" type="checkbox"/> 2006/42/EC			<input type="checkbox"/> 2010/26/EC
Annex IV Notified Body: Notified Body No.: Certificate No.:			Emission. No:

Standard references:

**EN 62841-1:2015; EN 62841-3-9:2015/A11:2017;
EN 55014-1:2017; EN 55014-2:2015; EN 61000-3-2:2014; EN 61000-3-3:2013**

This declaration of conformity is issued under the sole responsibility of the manufacturer.
Die alleinige Verantwortung für die Ausstellung dieser Konformitätserklärung trägt der Hersteller.

- * The object of the declaration described above fulfils the regulations of the directive 2011/65/EU of the European Parliament and Council from 8th June 2011, on the restriction of the use of certain hazardous substances in electrical and electronic equipment.
- * Der oben beschriebene Gegenstand der Erklärung erfüllt die Vorschriften der Richtlinie 2011/65/EU des Europäischen Parlaments und des Rates vom 8. Juni 2011 zur Beschränkung der Verwendung bestimmter gefährlicher Stoffe in Elektro- und Elektronikgeräten.

Ichenhausen, den 28.07.2021

Unterschrift / Andreas Pecher / Head of Project Management

First CE: 2019
Subject to change without notice

Documents registrar: Thomas Schuster
Günzburger Str. 69, D-89335 Ichenhausen



UKCA - Declaration of Conformity

In accordance with UK Government guidance



scheppach Fabrikation von Holzbearbeitungsmaschinen GmbH, Günzburger Str. 69, D-89335 Ichenhausen

This declaration of conformity is issued under the sole responsibility of the manufacturer.

Object of the declaration:

Brand: **Parkside**
Article name: **CROSS CUT MITRE SAW - PKS 1500 B3**
Art. no.: **3901240974 - 3901240980; 39012409915 - 39012409916**
Ident. no.: **01001 - 236967**

The object of the declaration described above is in conformity with the relevant UK Statutory Instruments (and their amendments):

<input type="checkbox"/>	2017 No. 1206	Radio Equipment Regulations 2017	<input checked="" type="checkbox"/>	2008 No. 1597	Supply of Machinery (Safety) Regulations 2008
<input checked="" type="checkbox"/>	2016 No. 1091	Electromagnetic Compatibility Regulations 2016			Annex IV Notified Body: Notified Body No.: Certificate No.:
<input type="checkbox"/>	2016 No. 1101	Electrical Equipment (Safety) Regulations 2016			
<input type="checkbox"/>	2017 No. 1206	Radio Equipment Regulations 2017			
<input type="checkbox"/>	2016 No. 1105	Pressure Equipment (Safety) Regulations 2016		2001 No. 1701 2001 No. 3958	Noise Emission in the Environment by Equipment for use Outdoors Regulations 2001
<input type="checkbox"/>		Personal Protective Equipment Regulations (Regulation (EU) 2016/425 as brought into UK law and amended)			Annex V
<input checked="" type="checkbox"/>	2012 No. 3032	The Restriction of the Use of Certain Hazardous Substances in Electrical and Electronic Equipment Regulations 2012*			Annex VI Noise: measured $L_{WA} = xx$ dB(A); guaranteed $L_{WA} = xx$ dB(A) $P = xx$ KW; $L/\varnothing = cm$ Notified Body: Notified Body No.:

References of the relevant designated standards used or references to the other technical specifications in relation to which conformity is declared:

**EN 62841-1:2015; EN 62841-3-9:2015/A11:2017;
EN 55014-1:2017; EN 55014-2:2015; EN 61000-3-2:2014; EN 61000-3-3:2013**

* The object of the declaration described above fulfils the regulations of the restriction of the use of certain hazardous substances in Electrical and Electronic Equipment Regulations 2012.

The technical documentation for the machinery is available from:

Name: Mr. Robert McEwen

Address: NMA (Agencies) LTD
NEIL MCEWEN & ASS.
1 Unit
Brookfoot Business Park
GB-HD6 2SD BRIGHOUSE West Yorks.

Ichenhausen, den 28.07.2021


Unterschrift / Andreas Pecher / Head of Project Management

Subject to change without notice



SCHEPPACH FABRIKATION VON HOLZBEARBEITUNGSMASCHINEN GMBH

Günzburger Str. 69
D-89335 Ichenhausen



Last Information Update · Tilstand af information · Version des informations · Stand van de informatie · Έκδοση των πληροφοριών · Stand der Informationen
Update: 07 / 2021 · Ident.-No.: 373880_2104_3901240979 / 39012409916

IAN 373880_2104