

# SILVERCREST®



## MINI CHOPPER SMZE 500 C2

GB IE NI CY

### MINI CHOPPER

Operating instructions

GR CY

### ΜΠΛΕΝΤΕΡ

Οδηγίες χρήσης

DE AT CH

### MULTIZERKLEINERER

Bedienungsanleitung

IAN 364985\_2101

GB IE NI  
CY



GB IE NI CY

Before reading, unfold the page containing the illustrations and familiarise yourself with all functions of the device.

---

GR CY

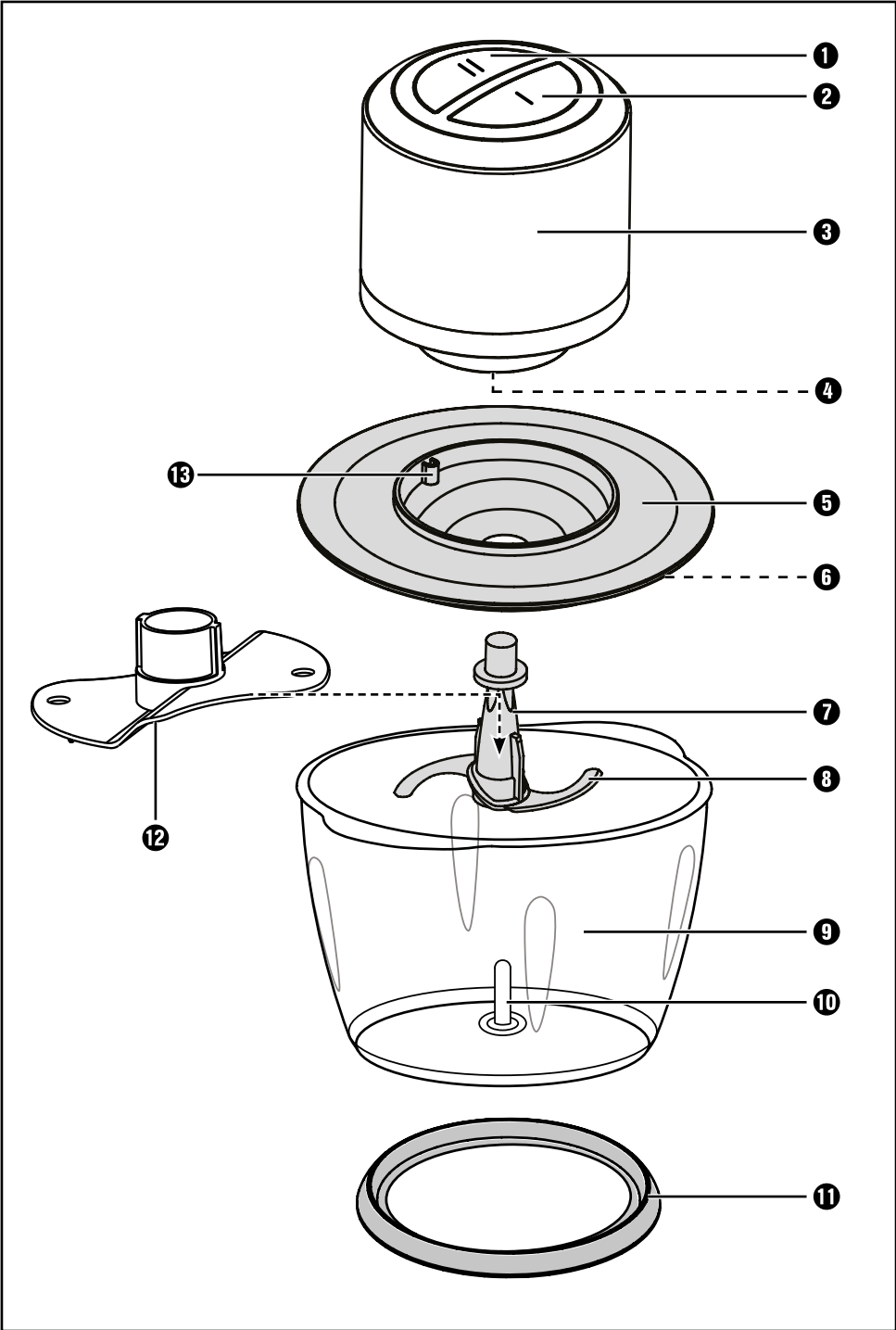
Πριν ξεκινήσετε την ανάγνωση, ανοίξτε τη σελίδα με τις εικόνες και εξοικειωθείτε με όλες τις λειτουργίες της συσκευής.

---

DE AT CH

Klappen Sie vor dem Lesen die Seite mit den Abbildungen aus und machen Sie sich anschließend mit allen Funktionen des Gerätes vertraut.

GB/IE/NI/CY	Operating instructions	Page	1
GR/CY	Οδηγίες χρήσης	Σελίδα	17
DE/AT/CH	Bedienungsanleitung	Seite	33



## Contents

<b>Introduction</b> .....	<b>2</b>
<b>Intended use</b> .....	<b>2</b>
<b>Package contents</b> .....	<b>2</b>
<b>Unpacking</b> .....	<b>2</b>
Disposal of the packaging .....	3
<b>Appliance description</b> .....	<b>3</b>
<b>Technical data</b> .....	<b>4</b>
<b>Safety information</b> .....	<b>4</b>
<b>Before first use</b> .....	<b>7</b>
<b>Operation</b> .....	<b>8</b>
Chopping .....	8
Whipping cream .....	10
<b>Cleaning and care</b> .....	<b>11</b>
<b>Storage</b> .....	<b>12</b>
<b>Troubleshooting</b> .....	<b>13</b>
<b>Disposal of the appliance</b> .....	<b>13</b>
<b>Kompernass Handels GmbH warranty</b> .....	<b>14</b>
Service .....	15
Importer .....	16



Read these operating instructions carefully before using the appliance for the first time and retain them for future reference. Please pass these operating instructions on to any future owner(s) of the appliance.

## Introduction

Congratulations on the purchase of your new appliance!

You have chosen a modern, high-quality product. These operating instructions are part of the product. They contain important information about safety, usage and disposal. Before using the product, please familiarise yourself with all operating and safety instructions. This appliance may only be used as described and for the purposes indicated. Please also pass these operating instructions on to any future owner.

## Intended use

This appliance is intended for the chopping of foods in small amounts or for whipping cream and emulsifying liquids. This appliance is intended exclusively for use in domestic households. This includes observing all the information in these operating instructions, especially the safety information. All other uses are deemed to be improper and may result in property damage or even in personal injury. No liability will be accepted for damages which result from improper use of the appliance.

## Package contents

The appliance is supplied with the following components as standard:

- Motor unit
- Lid
- Bowl
- Blade holder with blade
- Emulsifying disc
- Non-slip ring
- Operating instructions

## Unpacking

- 1) Remove all parts of the appliance and the operating instructions from the box.
- 2) Remove all packaging materials from the appliance.

### NOTE

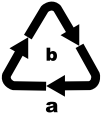
- ▶ Check the package for completeness and signs of visible damage.
- ▶ If the delivery is incomplete or damage has occurred as a result of defective packaging or during transport, contact the Service hotline (see section **Service**).

## Disposal of the packaging

The packaging protects the appliance from damage during transport. The packaging materials have been selected for aspects of environmental friendliness and disposal, and they are therefore recyclable.



Returning the packaging to the material cycle conserves raw materials and reduces the amount of waste that is generated. Dispose of packaging materials which are no longer needed in accordance with applicable local regulations.



Dispose of the packaging in an environmentally friendly manner. Note the labelling on the packaging and separate the packaging material components for disposal if necessary. The packaging material is labelled with abbreviations (a) and numbers (b) with the following meanings:

- 1 - 7: Plastics,
- 20 - 22: Paper and cardboard,
- 80 - 98: Composites



### NOTE

- ▶ If possible, keep the original device packaging for the entire duration of the warranty period so that the device can be packed properly for return shipment in the event of a warranty claim.

## Appliance description

- ❶ Speed button - Level II
- ❷ Speed button - Level I
- ❸ Motor unit
- ❹ Blade holder fitting
- ❺ Lid
- ❻ Sealing ring
- ❼ Blade holder
- ❽ Blade
- ❾ Bowl
- ❿ Guide axis
- ⓫ Non-slip ring
- ⓬ Emulsifying disc
- ⓭ Catch

## Technical data

Mains voltage	220-240 V ~ (AC), 50 Hz
Rated power	500 W
Protection class	II  (Double insulation)
CO time	30 seconds when working with the blade <b>8</b>
	2 minutes when working with the emulsifying disc <b>12</b>
Bowl capacity <b>9</b>	1200 ml
Max. capacity	up to the 500 ml marking
	All parts of this appliance that come into contact with food are food-safe.



This mark confirms that the product complies with the product safety requirements applicable in the UK.

### CO TIME


The CO time (continuous operation time) is the amount of time an appliance can be operated without the motor overheating and becoming damaged. After the appliance has been operated for the given CO time, switch it off until the motor has cooled down.

## Safety information

### RISK OF ELECTRIC SHOCK

- ▶ Connect the appliance only to correctly installed mains power sockets that supply a current rating of 220 - 240 V~, at 50 Hz.
- ▶ To avoid potential risks, if the appliance power cable is damaged, it must be replaced by the manufacturer, its customer service or by a qualified technician.
- ▶ In event of operating malfunctions and before cleaning the appliance, remove the power plug from the mains power socket.

**⚠ RISK OF ELECTRIC SHOCK**

- ▶ Always remove the power cable from the socket by pulling on the plug, not on the power cable itself.
  - ▶ Do not kink or crush the power cable, and route the cable so that it cannot be stepped on or tripped over.
  - ▶ Do not expose the appliance to humidity and do not use it outdoors. If any liquid gets into the housing, disconnect the appliance from the mains power socket immediately and have it repaired by a qualified technician.
  - ▶ Never hold the appliance, power cable or power plug with wet hands.
  - ▶ If the power cable or the motor unit are damaged, you must have the appliance repaired by qualified technicians before using it again. Do not attempt to open the motor unit housing. This can lead to risks and also invalidates the warranty.
  - ▶ Disconnect the appliance from the mains power source immediately after use. The appliance is completely free of electrical power only when unplugged.
-  Never immerse the motor unit in liquid and do not allow any liquids to enter the motor unit casing.

**⚠ WARNING! RISK OF INJURY!**

- ▶ Before replacing any accessories or additional parts that move during operation, the appliance must be switched off and disconnected from mains power.
- ▶ Never use the appliance for purposes other than those described in these instructions. There is a risk of injury if the appliance is misused!
- ▶ Take care when emptying the bowl! The blade is extremely sharp!

## **⚠ WARNING! RISK OF INJURY!**

- ▶ Take care when cleaning the appliance! The blade is extremely sharp!
- ▶ The appliance must always be disconnected from the mains when left unsupervised and before assembly, disassembly or cleaning.
- ▶ This appliance may not be used by children.
- ▶ The appliance and its connecting cable must be kept away from children.
- ▶ This appliance may be used by persons with limited physical, sensory or mental capabilities or lack of experience and knowledge, provided that they are under supervision or have been told how to use the appliance safely and are aware of the potential risks.
- ▶ Do not allow children to use the appliance as a plaything.
- ▶ Children should be supervised to ensure that they do not play with the appliance.
- ▶ Handle the extremely sharp blade with caution as it can cause injuries. Reassemble the appliance after using and/or cleaning it so that you do not injure yourself with the exposed blade. Keep the blade out of the reach of children.
- ▶ Never attempt to remove foodstuffs from the bowl as long as the blade is still rotating. Risk of injury!
- ▶ Wait until the blade has stopped rotating before removing the motor unit.
- ▶ Never try to grasp the blade if it is still rotating!  
Risk of injury!
- ▶ Do not operate the appliance for longer than 30 seconds with the blade or 2 minutes with the emulsifying disc. Afterwards, allow it to cool down.

## **CAUTION – APPLIANCE DAMAGE!**

- ▶ Do not use the appliance to process boiling or hot food.
- ▶ Do not use the appliance to chop or grind bones, coffee beans, cereals, nutmeg or frozen food. The only exception to this rule is ice cubes.
- ▶ See the table on the recommended fill quantities in the section "Chopping". Otherwise, there is a risk of contamination due to leaking contents.
- ▶ Do not clean the motor unit in the dishwasher, as this will damage it.
- ▶ Never operate the appliance when it is empty.

## **Before first use**

Thoroughly clean all component parts as described in the section **Cleaning and care** before using the appliance for the first time.

## Operation

### Chopping

- 1) Place the bowl ⑨ on the non-slip ring ⑪.
- 2) Place the blade holder ⑦ with the blade ⑧ onto the guide axis ⑩.
- 3) Prepare the food:

#### CAUTION – PROPERTY DAMAGE!

► Particularly hard foods should be cut into small pieces (approx. 2 cm) before processing. Otherwise, the motor unit could block. Use a pulsing processing method when working with hard foods. To do this, press the relevant speed button ①/② several times.

- Chop solid food into pieces approx. 2 cm in size.
- Removes stems and stalks from herbs.
- Remove the shell from nuts, e.g. walnuts.
- Remove bones, skin and sinew from meat.

- 4) Add the food to the bowl ⑨. For optimum results, we recommend the following maximum filling quantities:

Food	Max. filling quantity	Processing time	Speed
Garlic	250 g	pulse approx. 5 x 2 sec.	Level II
Onions	250 g	pulse approx. 5 x 1 sec.	Level I
Carrots	250 g	2 x 5 sec.	Level I
Almonds	250 g	coarse: 1 x 10 sec. medium: 1 x 15 sec. fine: 3 x 15 sec.	Level II
Meat (cubed 2 x 2 cm)	300 g	6 x 5 sec.	Level II
Ice cubes	100 g	pulse coarse 10 x 1 sec. fine 20 x 1 sec.	Level II

The times and quantities listed in this table are guide values and can vary depending on the composition of the processed food!

- 5) Place the lid ⑤ onto the bowl ⑨ so that the sealing ring ⑥ rests on the edge of the bowl ⑨ and the blade holder ⑦ protrudes through the opening of the lid ⑤. One of the two catches ⑬ that are located on the inner ring of the lid ⑤ should point forwards, towards you.

- 6) Place the motor unit **3** onto the lid **5** so that the logo is facing it. The two catches **13** on the inner ring of the lid **5** now engage into the two recesses on the bottom of the motor unit **3**. If the catches **13** do not slide immediately into the recesses on the bottom of the motor unit **3**, turn the motor unit **3** a little until it rests flush on the lid **5** and the catches **13** have slid into the recesses.
- 7) Insert the plug into a mains power socket.

## NOTE

- ▶ Hold the bowl **9** firmly with one hand and the motor unit **3** with the other hand while processing food.

- 8) Press the required speed button **1/2**. The blade rotates **8** as long as you keep the speed button **1/2** pressed. The motor stops as soon as it is released.

## CAUTION – PROPERTY DAMAGE!

- ▶ If the blade **8** stops and starts or does not turn at all, release of the speed button **1/2** immediately and pull out the mains plug. Check whether the blade **8** is jammed as a result of too hard/tough food and free this. Otherwise, the motor unit could overheat.

## NOTE

- ▶ If food remains stuck on the inside of the bowl **9** and the blade **8** cannot reach it any more, open the lid **5** and push the food back down with a spatula or similar.

- 9) Once the food is fully chopped, release of the speed button **1/2**.
- 10) Remove the power plug from the socket.

## ⚠ WARNING – RISK OF INJURY!

- ▶ Never attempt to remove food from the bowl **9** while the blade **8** is still turning. There is a risk of injury and food can also spray out and make a mess.

- 11) Wait until the blade **8** has come to a complete standstill.
- 12) Lift the motor unit **3** off the lid **5**.
- 13) Remove the lid **5**.

## **⚠ WARNING – RISK OF INJURY!**

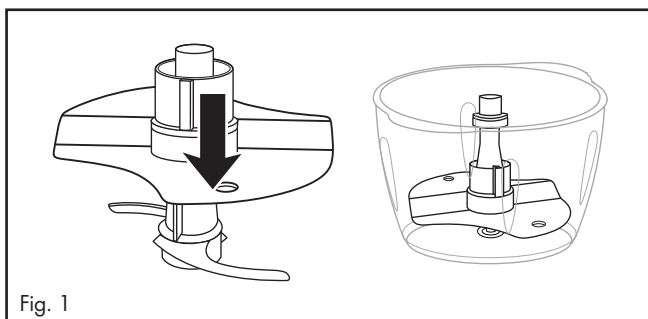
- ▶ Handle the extremely sharp blade **8** with caution as it can cause injuries. Keep the blade **8** out of the reach of children.

- 14) Pull the blade holder **7** with the blade **8** carefully out of the bowl **9**.
- 15) Remove the food.

## **Whipping cream**

You can also use the appliance to whip cream (min. 200 ml, max. 400 ml) with the help of the emulsifying disc **12**:

- 1) Place the bowl **9** on the non-slip ring **11**.
- 2) Push the emulsifying disc **12** onto the blade holder **7**:
  - To whip 200–400 ml of cream, place the emulsifying disc **12** onto the blade holder **7** so that the emulsifying disc **12** is in contact with both parts of the blade **8** and clicks into place (fig. 1):



- 3) Place the blade holder **7** with the emulsifying disc **12** onto the guide axis **10**.
- 4) Add the cream.
- 5) Place the lid **5** onto the bowl **9** so that the sealing ring **6** rests on the edge of the bowl **9** and the blade holder **7** protrudes through the opening of the lid **5**.  
One of the two catches **13** that are located on the inner ring of the lid **5** should point forwards, towards you.


- 6) Place the motor unit **3** onto the lid **5** so that the logo is facing it. The two catches **13** on the inner ring of the lid **5** now engage into the two recesses on the bottom of the motor unit **3**. If the catches **13** do not slide immediately into the recesses on the bottom of the motor unit **3**, turn the motor unit **3** a little until it rests flush on the lid **5** and the catches **13** have slid into the recesses.
- 7) Insert the plug into a mains socket.

## NOTE

- ▶ To whip cream, you should make sure that it is chilled well before whipping (max. 8°C/fridge temperature).
- ▶ For 200 ml of cream, we recommend a whipping time of around 30–40 seconds at speed level I **2**.
- ▶ For 400 ml of cream, we recommend a whipping time of around 40 seconds at speed level I **2**.
- ▶ The whipping time can vary, however, depending on the amount and various factors, such as fat content or the ambient temperature. Keep an eye on the cream while you are whipping it and adjust the whipping time to suit your needs.

## Cleaning and care

### **WARNING – RISK OF ELECTRIC SHOCK!**

- ▶ Always remove the plug from the mains power socket before cleaning the appliance.
- ▶  You must never immerse the appliance in water or hold it under running water when cleaning it.

### **WARNING – RISK OF INJURY!**

- ▶ Handle the extremely sharp blade **8** with caution as it can cause injuries. Reassemble the appliance after using and/or cleaning it so that you do not injure yourself with the exposed blade **8**. Keep the blade **8** out of the reach of children.

### **CAUTION – PROPERTY DAMAGE!**

- ▶ Do not clean the motor unit **3** in the dishwasher, as this will damage it.

- 1) Remove the power plug from the socket.
- 2) Dismantle the appliance for cleaning. Pull the sealing ring **6** off the lid **5**. Remove the small rubber disc located on the upper end of the blade holder **7**.
- 3) Clean the motor unit **3** with a moist cloth. If necessary, add a little mild detergent onto the cloth. Wipe off with a cloth moistened only with clear water so that all detergent residues are removed.
- 4) Clean the bowl **9**, emulsifying disc **12**, lid **5** sealing ring **6**, blade holder **7** with blade **8**, the small rubber disc of the blade holder **7** and the non-slip ring **11** in warm water with a little mild detergent. Rinse all the parts using clean water to remove any detergent residues. Dry all parts well.

## NOTE



Alternatively, you can clean the bowl **9**, emulsifying disc **12**, blade holder **7** with blade **8** and the lid **5** with the sealing ring **6** in the dishwasher. If possible, place the parts in the top basket of the dishwasher. Ensure that the parts are not trapped in any way.

- 5) After cleaning, push the sealing ring **6** back onto the flange of the lid **5**. Ensure that the flat side of the sealing ring **6** rests flat on the lid **5**.
  - 6) Place the small rubber ring back on the upper end of the blade holder **7**.
- You can now reassemble the appliance.

## Storage

- Store the cleaned appliance in a clean and dry location.

## Troubleshooting

PROBLEM	POSSIBLE CAUSE	POSSIBLE SOLUTIONS
The appliance is not working.	The appliance is not connected to a mains power socket.	Connect the appliance to a mains power socket.
	The appliance is damaged.	Contact the Customer Service department.
	A household fuse has blown.	Check the household fuses and replace them if necessary.
	The appliance is possibly defective.	Contact the Customer Service department.
	The motor unit <b>3</b> is not placed correctly on the blade holder <b>7</b> .	Place the motor unit <b>3</b> correctly on the blade holder <b>7</b> .

If the malfunction cannot be corrected using one of the suggestions above, or if you have found some other kind of malfunction, please contact our Customer Service department.

## Disposal of the appliance



**Never dispose of the appliance in your normal domestic waste. This product is subject to the provisions of European Directive 2012/19/EU.**

Dispose of the appliance through an approved disposal facility or your municipal waste facility. Please comply with all applicable regulations. Please contact your waste disposal centre if you are in any doubt.



Your local community or municipal authorities can provide information on how to dispose of the worn-out product.

## Kompernass Handels GmbH warranty

Dear Customer,

This appliance has a 3-year warranty valid from the date of purchase. If this product has any faults, you, the buyer, have certain statutory rights. Your statutory rights are not restricted in any way by the warranty described below.

### Warranty conditions

The warranty period starts on the date of purchase. Please keep your receipt in a safe place. This will be required as proof of purchase.

If any material or manufacturing fault occurs within three years of the date of purchase of the product, we will either repair or replace the product for you or refund the purchase price (at our discretion). This warranty service requires that you present the defective appliance and the proof of purchase (receipt) within the three-year warranty period, along with a brief written description of the fault and of when it occurred.

If the defect is covered by the warranty, your product will either be repaired or replaced by us. The repair or replacement of a product does not signify the beginning of a new warranty period.

### Warranty period and statutory claims for defects

The warranty period is not prolonged by repairs effected under the warranty. This also applies to replaced and repaired components. Any damage and defects present at the time of purchase must be reported immediately after unpacking. Repairs carried out after expiry of the warranty period shall be subject to a fee.

### Scope of the warranty

This appliance has been manufactured in accordance with strict quality guidelines and inspected meticulously prior to delivery.

The warranty covers material faults or production faults. The warranty does not extend to product parts subject to normal wear and tear or to fragile parts which could be considered as consumable parts such as switches, batteries or parts made of glass.

The warranty does not apply if the product has been damaged, improperly used or improperly maintained. The directions in the operating instructions for the product regarding proper use of the product are to be strictly followed. Uses and actions that are discouraged in the operating instructions or which are warned against must be avoided.

This product is intended solely for private use and not for commercial purposes. The warranty shall be deemed void in cases of misuse or improper handling, use of force and modifications / repairs which have not been carried out by one of our authorised Service centres.

## Warranty claim procedure

To ensure quick processing of your case, please observe the following instructions:

- Please have the till receipt and the item number (e.g. IAN 123456\_7890) available as proof of purchase.
- You will find the item number on the type plate on the product, an engraving on the product, on the front page of the operating instructions (below left) or on the sticker on the rear or bottom of the product.
- If functional or other defects occur, please contact the service department listed either by **telephone** or by **e-mail**.
- You can return a defective product to us free of charge to the service address that will be provided to you. Ensure that you enclose the proof of purchase (till receipt) and information about what the defect is and when it occurred.



You can download these instructions along with many other manuals, product videos and installation software at [www.lidl-service.com](http://www.lidl-service.com).

This QR code will take you directly to the Lidl service page ([www.lidl-service.com](http://www.lidl-service.com)) where you can open your operating instructions by entering the item number (IAN) 364985\_2101.

## Service

### **GB** Service Great Britain

Tel.: 0800 404 7657

E-Mail: [kompernass@lidl.co.uk](mailto:kompernass@lidl.co.uk)

### **IE** Service Ireland

Tel.: 1890 930 034

(0,08 EUR / Min., (peak))

(0,06 EUR / Min., (off peak))

E-Mail: [kompernass@lidl.ie](mailto:kompernass@lidl.ie)

### **CY** Service Cyprus

Tel.: 8009 4409

E-Mail: [kompernass@lidl.com.cy](mailto:kompernass@lidl.com.cy)

IAN 364985\_2101

## Importer

Please note that the following address is not the service address. Please use the service address provided in the operating instructions.

### For EU market



KOMPERNASS HANDELS GMBH  
BURGSTRASSE 21  
44867 BOCHUM  
GERMANY  
[www.kompernass.com](http://www.kompernass.com)

### For GB market

Lidl Great Britain Ltd  
Lidl House 14 Kingston Road  
Surbiton  
KT5 9NU

## Περιεχόμενα

<b>Εισαγωγή</b> . . . . .	<b>18</b>
<b>Προβλεπόμενη χρήση</b> . . . . .	<b>18</b>
<b>Παραδοτέος εξοπλισμός</b> . . . . .	<b>18</b>
<b>Αποσυσκευασία</b> . . . . .	<b>18</b>
Απόρριψη της συσκευασίας . . . . .	19
<b>Περιγραφή συσκευής</b> . . . . .	<b>19</b>
<b>Τεχνικά χαρακτηριστικά</b> . . . . .	<b>20</b>
<b>Υποδείξεις ασφαλείας</b> . . . . .	<b>20</b>
<b>Πριν από την έναρξη λειτουργίας</b> . . . . .	<b>23</b>
<b>Χειρισμός</b> . . . . .	<b>24</b>
Τεμαχισμός . . . . .	24
Χτύπημα κρέμας . . . . .	26
<b>Καθαρισμός και φροντίδα</b> . . . . .	<b>27</b>
<b>Αποθήκευση</b> . . . . .	<b>28</b>
<b>Αντιμετώπιση σφαλμάτων</b> . . . . .	<b>29</b>
<b>Απόρριψη συσκευής</b> . . . . .	<b>29</b>
<b>Εγγύηση της Kompernass Handels GmbH</b> . . . . .	<b>30</b>
Σέρβις . . . . .	31
Εισαγωγέας . . . . .	31



Διαβάστε προσεκτικά τις οδηγίες χρήσης πριν από την πρώτη χρήση και φυλάξτε τις για μελλοντική χρήση. Σε περίπτωση παράδοσης της συσκευής σε τρίτους, παραδώστε μαζί και τις οδηγίες χρήσης.

## Εισαγωγή

Συγχαρητήρια για την αγορά της νέας σας συσκευής!

Με αυτήν την αγορά αποφασίσατε την απόκτηση ενός μοντέρνου και υψηλής ποιότητας προϊόντος. Οι οδηγίες χρήσης αποτελούν τμήμα αυτού του προϊόντος. Περιλαμβάνουν σημαντικές υποδείξεις για την ασφάλεια, τη χρήση και την απόρριψη. Πριν από τη χρήση του προϊόντος, εξοικειωθείτε με όλες τις υποδείξεις χειρισμού και ασφάλειας. Χρησιμοποιείτε το προϊόν μόνο όπως περιγράφεται και για τα αναφερόμενα πεδία χρήσης. Παραδώστε όλα τα έγγραφα σε περίπτωση παράδοσης του προϊόντος σε τρίτους.

## Προβλεπόμενη χρήση

Η παρούσα συσκευή προορίζεται αποκλειστικά για τον τεμαχισμό τροφίμων σε μικρές ποσότητες ή για το χτύπημα κρέμας και την ανάδευση υγρών. Η συσκευή αυτή προορίζεται αποκλειστικά για οικιακή χρήση. Στην προβλεπόμενη χρήση περιλαμβάνεται, επίσης, η τήρηση όλων των πληροφοριών στις παρούσες οδηγίες χρήσης, κυρίως των υποδείξεων ασφαλείας. Οποιαδήποτε άλλη χρήση θεωρείται μη προβλεπόμενη και μπορεί να οδηγήσει σε υλικές ζημιές ή ακόμη και σε σωματικές βλάβες. Δεν αναλαμβάνουμε ευθύνη για ζημιές που προκαλούνται από μη προβλεπόμενη χρήση.

## Παραδοτέος εξοπλισμός

Η συσκευή παραδίδεται με τα ακόλουθα εξαρτήματα:

- Μοτέρ
- Καπάκι
- Μπολ
- Στήριγμα λεπίδας με λεπίδα
- Εξάρτημα ανάδευσης
- Αντιολισθητικός δακτύλιος
- Οδηγίες χρήσης

## Αποσυσκευασία

- 1) Αφαιρέστε όλα τα εξαρτήματα της συσκευής και τις οδηγίες χρήσης από το κουτί.
- 2) Απομακρύνετε όλα τα υλικά συσκευασίας από τη συσκευή.

## ΥΠΟΔΕΙΞΗ

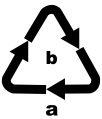
- ▶ Ελέγξτε την πληρότητα του παραδοτέου εξοπλισμού και ελέγξτε για τυχόν εμφανείς φθορές.
- ▶ Σε περίπτωση ελλιπούς παραδοτέου εξοπλισμού ή ζημιών λόγω ελλιπούς συσκευασίας ή λόγω της μεταφοράς, απευθυνθείτε στη γραμμή εξυπηρέτησης πελατών (βλέπε κεφάλαιο **Σέρβις**).

## Απόρριψη της συσκευασίας

Η συσκευασία προστατεύει τη συσκευή από ζημιές κατά τη μεταφορά. Τα υλικά συσκευασίας έχουν επιλεγεί σύμφωνα με τους κανόνες προστασίας του περιβάλλοντος και τις τεχνικές απόρριψης και, ως εκ τούτου, είναι ανακυκλώσιμα.



Η επιστροφή της συσκευασίας σε σημεία ανακύκλωσης εξοικονομεί πρώτες ύλες και μειώνει την ποσότητα των απορριμμάτων. Απορρίπτετε τα υλικά συσκευασίας που δεν χρησιμοποιούνται πλέον σύμφωνα με τις κατά τόπους ισχύουσες προδιαγραφές.



Απορρίπτετε τη συσκευασία με φιλικό τρόπο προς το περιβάλλον. Λαμβάνετε υπόψη τη σήμανση στα διαφορετικά υλικά συσκευασίας και, εφόσον απαιτείται, ξεχωρίζετε τα. Τα υλικά συσκευασίας φέρουν σήμανση με συντομογραφίες (a) και ψηφία (b) με την εξής σημασία:

- 1-7: Πλαστικά,
- 20-22: Χαρτί και χαρτόνι,
- 80-98: Συνθετικά υλικά



## ΥΠΟΔΕΙΞΗ

- ▶ Εφόσον είναι δυνατό, φυλάξτε την αρχική συσκευασία καθ' όλη τη διάρκεια της εγγύησης, για να μπορείτε, σε περίπτωση εγγύησης, να συσκευάσετε τη συσκευή σωστά.

## Περιγραφή συσκευής

- 1 Πλήκτρο ταχύτητας - Βαθμίδα II
- 2 Πλήκτρο ταχύτητας - Βαθμίδα I
- 3 Μοτέρ
- 4 Υποδοχή στηρίγματος λεπίδας
- 5 Καπάκι
- 6 Στεγανοποιητικός δακτύλιος
- 7 Στήριγμα λεπίδας
- 8 Λεπίδα
- 9 Μπολ
- 10 Άξονας-οδηγός
- 11 Αντιολισθητικός δακτύλιος
- 12 Εξάρτημα ανάδευσης
- 13 Ασφάλεια

## Τεχνικά χαρακτηριστικά

Τάση δικτύου	220 - 240 V ~ (Εναλλασσόμενο ρεύμα), 50 Hz
Ονομαστική ισχύς	500 W
Κατηγορία προστασίας	II  (Διπλή μόνωση)
Χρόνος σύντομης λειτουργίας (ΣΛ)	30 δευτερόλεπτα σε περίπτωση εργασίας με τη λεπίδα <b>8</b> 2 λεπτά σε περίπτωση εργασίας με το εξάρτημα ανάδευσης <b>12</b>
Χωρητικότητα μπολ <b>9</b>	1200 ml
Μέγ. ποσότητα πλήρωσης	μέχρι το σημάδι 500 ml
	Όλα τα εξαρτήματα αυτής της συσκευής που έρχονται σε επαφή με τρόφιμα μπορούν να χρησιμοποιούνται με ασφάλεια σε τρόφιμα.



Με αυτό το σύμβολο επιβεβαιώνεται ότι το προϊόν πληροί τις απαιτήσεις περί ασφάλειας προϊόντων που ισχύουν στη Μεγάλη Βρετανία.

### ΧΡΟΝΟΣ ΣΥΝΤΟΜΗΣ ΛΕΙΤΟΥΡΓΙΑΣ (ΣΛ)


Ο χρόνος σύντομης λειτουργίας (ΣΛ) δείχνει για πόσο χρόνο μπορεί κανείς να λειτουργεί μια συσκευή, χωρίς να υπερθερμανθεί το μοτέρ και χωρίς να υποστεί βλάβες. Μετά τον αναγραφόμενο χρόνο σύντομης λειτουργίας, η συσκευή πρέπει να απενεργοποιηθεί έως ότου να κρυώσει το μοτέρ.

## Υποδείξεις ασφαλείας

### ΚΙΝΔΥΝΟΣ ΗΛΕΚΤΡΟΠΛΗΞΙΑΣ

- ▶ Συνδέετε τη συσκευή αποκλειστικά σε μια σωστά εγκατεστημένη πρίζα με τάση δικτύου 220 - 240 V~, 50 Hz.
- ▶ Εάν το καλώδιο σύνδεσης δικτύου της συσκευής υποστεί βλάβη, πρέπει να αντικατασταθεί από τον κατασκευαστή ή το τμήμα εξυπηρέτησης πελατών ή ένα αντίστοιχα εξειδικευμένο άτομο, ώστε να αποφευχθούν τυχόν κίνδυνοι.
- ▶ Σε περίπτωση βλαβών λειτουργίας και πριν από τον καθαρισμό της συσκευής αποσυνδέετε το βύσμα από την πρίζα.

**⚠ ΚΙΝΔΥΝΟΣ ΗΛΕΚΤΡΟΠΛΗΞΙΑΣ**

- ▶ Αφαιρείτε πάντα το καλώδιο δικτύου από την πρίζα, τραβώντας το βύσμα και όχι το ίδιο το καλώδιο.
  - ▶ Μην τσακίζετε ή συμπιέζετε το καλώδιο δικτύου και τοποθετείτε το κατά τέτοιο τρόπο, ώστε να μην μπορεί κανείς να το πατήσει ή να σκοντάψει σε αυτό.
  - ▶ Απαγορεύεται η έκθεση της συσκευής σε υγρασία, καθώς και η χρήση της σε εξωτερικούς χώρους. Στην περίπτωση που εισχωρήσει υγρό στο περίβλημα της συσκευής, αποσυνδέστε αμέσως το βύσμα της συσκευής από την πρίζα και αναθέστε την επισκευή σε εξειδικευμένο προσωπικό.
  - ▶ Μην αγγίζετε ποτέ τη συσκευή, το καλώδιο δικτύου και το βύσμα με βρεγμένα χέρια.
  - ▶ Εάν υποστούν βλάβη το καλώδιο δικτύου ή το μοτέρ, πρέπει να αναθέσετε την επισκευή της συσκευής σε εξειδικευμένο προσωπικό, προτού την χρησιμοποιήσετε ξανά. Μην ανοίγετε το περίβλημα του μοτέρ. Διαφορετικά, δεν διασφαλίζεται πλέον η ασφαλής λειτουργία και ακυρώνεται η εγγύηση.
  - ▶ Μετά τη χρήση, αποσυνδέετε τη συσκευή αμέσως από το δίκτυο ρεύματος. Μόνο όταν αφαιρείτε το βύσμα από την πρίζα διακόπτεται πλήρως η τροφοδοσία ρεύματος στη συσκευή.
-  Δεν επιτρέπεται σε καμία περίπτωση να βυθίζετε το μοτέρ σε υγρά, ούτε να εισχωρούν υγρά στο περίβλημα του μοτέρ.

**⚠ ΠΡΟΕΙΔΟΠΟΙΗΣΗ! ΚΙΝΔΥΝΟΣ ΤΡΑΥΜΑΤΙΣΜΟΥ!**

- ▶ Πριν από την αντικατάσταση κινούμενων αξεσουάρ ή πρόσθετων εξαρτημάτων, η συσκευή πρέπει να απενεργοποιηθεί και να αποσυνδεθεί από το δίκτυο.

## **⚠ ΠΡΟΕΙΔΟΠΟΙΗΣΗ! ΚΙΝΔΥΝΟΣ ΤΡΑΥΜΑΤΙΣΜΟΥ!**

- ▶ Μην χρησιμοποιείτε τη συσκευή για άλλους σκοπούς από τους περιγραφόμενους στις παρούσες οδηγίες. Σε περίπτωση εσφαλμένης χρήσης της συσκευής, υφίσταται κίνδυνος τραυματισμού!
- ▶ Να αδειάζετε το μπολ με προσοχή! Η λεπίδα είναι πολύ κοφτερή!
- ▶ Να καθαρίζετε τη συσκευή με προσοχή! Η λεπίδα είναι πολύ κοφτερή!
- ▶ Η συσκευή πρέπει να αποσυνδέεται πάντα από το δίκτυο όταν δεν επιτηρείται και πριν από τη συναρμολόγηση, την αποσυναρμολόγηση ή τον καθαρισμό.
- ▶ Απαγορεύεται η χρήση της συσκευής από παιδιά.
- ▶ Η συσκευή και το καλώδιο σύνδεσής της πρέπει να φυλάσσονται μακριά από παιδιά.
- ▶ Επιτρέπεται η χρήση της συσκευής από άτομα με μειωμένες φυσικές, αισθητηριακές ή νοητικές ικανότητες ή με έλλειψη εμπειρίας ή/και γνώσεων, εφόσον επιτηρούνται ή έχουν εκπαιδευτεί αναφορικά με την ασφαλή χρήση της συσκευής και έχουν κατανοήσει τους επακόλουθους κινδύνους.
- ▶ Απαγορεύεται η χρήση της συσκευής από παιδιά ως παιχνίδι.
- ▶ Τα παιδιά πρέπει να επιτηρούνται, ώστε να διασφαλίζεται ότι δεν χρησιμοποιούν τη συσκευή ως παιχνίδι.
- ▶ Κίνδυνος τραυματισμού κατά τον χειρισμό της εξαιρετικά κοφτερής λεπίδας. Συναρμολογείτε εκ νέου τη συσκευή μετά τη χρήση και τον καθαρισμό, ώστε να αποφευχθεί τυχόν τραυματισμός από την ακάλυπτη λεπίδα. Κρατάτε τη λεπίδα μακριά από παιδιά.
- ▶ Μην αφαιρείτε ποτέ τρόφιμα από το μπολ ενώ περιστρέφεται η λεπίδα. Κίνδυνος τραυματισμού!
- ▶ Πριν από την αφαίρεση του μοτέρ, περιμένετε μέχρι να ακινητοποιηθεί η λεπίδα.

**⚠ ΠΡΟΕΙΔΟΠΟΙΗΣΗ! ΚΙΝΔΥΝΟΣ ΠΥΡΚΑΓΙΑΣ!**

- ▶ Μην έρχεστε ποτέ σε επαφή με τη λεπίδα όσο αυτή περιστρέφεται!  
Κίνδυνος τραυματισμού!
- ▶ Δεν επιτρέπεται η λειτουργία της συσκευής για περισσότερο από 2 λεπτά κατά τον χειρισμό με το εξάρτημα ανάδευσης και για περισσότερο από 30 δευτερόλεπτα κατά τον χειρισμό με τη λεπίδα. Στη συνέχεια, αφήστε τη να κρυώνει.

**ΠΡΟΣΟΧΗ - ΖΗΜΙΕΣ ΣΤΗ ΣΥΣΚΕΥΗ!**

- ▶ Μην χρησιμοποιείτε τη συσκευή για επεξεργασία τροφίμων που βράζουν ή καυτών τροφίμων.
- ▶ Μην χρησιμοποιείτε τη συσκευή για τεμαχισμό οστών, κόκκων καφέ, δημητριακών, μοσχοκάρυδου ή παγωμένων τροφίμων. Εξαιρούνται τα παγάκια.
- ▶ Λαμβάνετε υπόψη τον πίνακα ποσοτήτων πλήρωσης στο κεφάλαιο «Τεμαχισμός». Διαφορετικά, ενδέχεται να λερωθείτε εσείς ή ο γύρω χώρος από εκτοξευόμενο υλικό.
- ▶ Μην πλένετε το μοτέρ στο πλυντήριο πιάτων, καθώς θα υποστεί βλάβη.
- ▶ Μην λειτουργείτε ποτέ τη συσκευή όταν είναι άδεια.

**Πριν από την έναρξη λειτουργίας**

Καθαρίστε τη συσκευή πριν από την έναρξη λειτουργίας, όπως περιγράφεται στο κεφάλαιο **Καθαρισμός και φροντίδα**.

## Χειρισμός

### Τεμαχισμός

- 1) Τοποθετήστε το μπολ 9 στον αντιολισθητικό δακτύλιο 11.
- 2) Τοποθετήστε το στήριγμα λεπίδας 7 με τη λεπίδα 8 στον άξονα-οδηγό 10.
- 3) Προετοιμάστε το υλικό:

#### ΠΡΟΣΟΧΗ - ΥΛΙΚΕΣ ΖΗΜΙΕΣ!

► Πριν από την επεξεργασία τους, τα ιδιαίτερα σκληρά τρόφιμα πρέπει να κόβονται σε μικρότερα τεμάχια (περ. 2 cm). Διαφορετικά, ενδέχεται να μπλοκάρει το μοτέρ.  
Σε περίπτωση σκληρών τροφίμων, επιλέγεται η διακοπόμενη επεξεργασία. Πατήστε στιγμιαία για περισσότερες φορές το εκάστοτε πλήκτρο ταχύτητας 1/2.

- Κόβετε τα στέρεα τρόφιμα σε τεμάχια μεγέθους περ. 2 cm.
  - Αφαιρείτε τα κοτσάνια από βότανα.
  - Σε περίπτωση ξηρών καρπών, π.χ. καρυδιών, αφαιρείτε τα σόφλια.
  - Αφαιρείτε τα οστά, την πέτσα και τους τένοντες από το κρέας.
- 4) Εισαγάγετε το υλικό στο μπολ 9. Για τα καλύτερα αποτελέσματα συστήνουμε τις εξής μέγιστες ποσότητες πλήρωσης:

Τρόφιμα	Μέγ. ποσότητα πλήρωσης	Χρόνος επεξεργασίας	Ταχύτητα
Σκόρδα	250 g	Διακοπόμενα περ. 5 x 2 δευτ.	Βαθμίδα II
Κρεμμύδια	250 g	Διακοπόμενα περ. 5 x 1 δευτ.	Βαθμίδα I
Καρότα	250 g	2 x 5 δευτ.	Βαθμίδα I
Αμύγδαλα	250 g	χοντρά: 1 x 10 δευτ. μέτρια: 1 x 15 δευτ. λεπτά: 3 x 15 δευτ.	Βαθμίδα II
Κρέας (σε κύβους 2 x 2 cm)	300 g	6 x 5 δευτ.	Βαθμίδα II
Παγάκια	100 g	Διακοπόμενα χοντρά, 10 x 1 δευτ. λεπτά, 20 x 1 δευτ.	Βαθμίδα II

Τα αναγραφόμενα σε αυτόν τον πίνακα χρονικά διαστήματα και οι ποσότητες αποτελούν τιμές αναφοράς και ενδέχεται να διαφέρουν ανάλογα με το εκάστοτε τρόφιμο προς επεξεργασία!

- 5) Τοποθετήστε το καπάκι **5** στο μπολ **9** κατά τέτοιο τρόπο, ώστε ο στεγανοποιητικός δακτύλιος **6** να εφαρμόζει στο άκρο του μπολ **9** και το στήριγμα λεπίδας **7** να προεξέχει από το άνοιγμα του καπακιού **5**. Μία από τις δύο ασφάλειες **13**, που βρίσκονται στον εσωτερικό δακτύλιο του καπακιού **5**, πρέπει να έχει φορά προς τα μπροστά, δηλαδή προς τα εσάς.
- 6) Τοποθετήστε το μοτέρ **3** κεντραρισμένα στο καπάκι **5**, ώστε το λογότυπο να έχει φορά προς τα εσάς. Οι δύο ασφάλειες **13** στον εσωτερικό δακτύλιο του καπακιού **5** εφαρμόζουν στις δύο εσοχές στο κάτω μέρος του μοτέρ **3**. Εάν οι ασφάλειες **13** δεν εφαρμόσουν αμέσως στις εσοχές στο κάτω μέρος του μοτέρ **3**, περιστρέψτε ελαφρώς το μοτέρ **3**, μέχρι να εφαρμοστεί στο καπάκι **5** και να είναι δυνατή η εφαρμογή των ασφαλειών **13** στις εσοχές.
- 7) Συνδέστε το βύσμα με μια πρίζα.

## ΥΠΟΔΕΙΞΗ

- ▶ Κατά τη διάρκεια της επεξεργασίας των τροφίμων, κρατάτε το μπολ **9** σταθερά με το ένα χέρι και το μοτέρ **3** με το άλλο.

- 8) Πατήστε το επιθυμητό πλήκτρο ταχύτητας **1/2**. Η λεπίδα **8** περιστρέφεται για όσο κρατάτε πατημένο το πλήκτρο ταχύτητας **1/2**. Μόλις το αφήσετε, διακόπεται η λειτουργία του μοτέρ.

## ΠΡΟΣΟΧΗ - ΥΛΙΚΕΣ ΖΗΜΙΕΣ!

- ▶ Σε περίπτωση που η λεπίδα **8** περιστρέφεται με δυσκολία ή καθόλου, αφήστε αμέσως το πλήκτρο ταχύτητας **1/2** και αποσυνδέστε το βύσμα. Ελέγξτε εάν η λεπίδα **8** έχει μαγκώσει από υπερβολικά σκληρά τρόφιμα και απελευθερώστε την. Διαφορετικά, ενδέχεται να υπερθερμανθεί το μοτέρ.

## ΥΠΟΔΕΙΞΗ

- ▶ Εάν τα τρόφιμα κολλήσουν στην εσωτερική πλευρά του μπολ **9** και δεν έρχονται πλέον σε επαφή με τη λεπίδα **8**, ανοίξτε το καπάκι **5** και πιέστε τα με ένα ξέστρο ζύμης ή παρόμοιο αντικείμενο προς τα κάτω.

- 9) Μόλις τεμαχιστεί το υλικό, αφήστε το πλήκτρο ταχύτητας **1/2**.
- 10) Αποσυνδέστε το βύσμα.

## ⚠ ΠΡΟΕΙΔΟΠΟΙΗΣΗ - ΚΙΝΔΥΝΟΣ ΤΡΑΥΜΑΤΙΣΜΟΥ!

- ▶ Μην αφαιρείτε ποτέ τρόφιμα από το μπολ **9** όσο περιστρέφεται ακόμη η λεπίδα **8**. Υπάρχει κίνδυνος τραυματισμού και ενδέχεται να λερωθείτε εσείς ή ο γύρω χώρος από εκτοξευόμενο περιεχόμενο.

- 11) Περιμένετε μέχρι να ακινητοποιηθεί η λεπίδα **8**.
- 12) Ανασηκώστε το μοτέρ **3** από το καπάκι **5**.
- 13) Αφαιρέστε το καπάκι **5**.

## ⚠ ΠΡΟΕΙΔΟΠΟΙΗΣΗ - ΚΙΝΔΥΝΟΣ ΤΡΑΥΜΑΤΙΣΜΟΥ!

► Κατά τον χειρισμό της εξαιρετικά κοφτερής λεπίδας **8**, παρατηρείται κίνδυνος τραυματισμού. Διατηρείτε τη λεπίδα **8** μακριά από τα παιδιά.

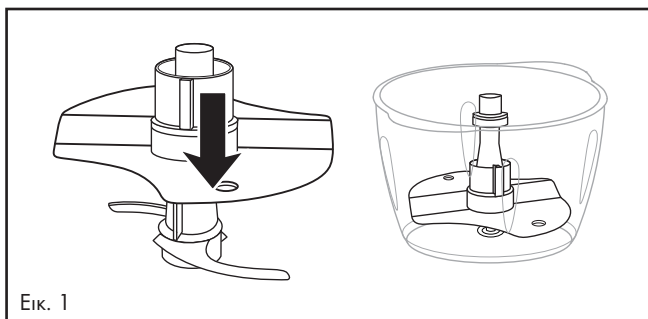
14) Αφαιρέστε το στήριγμα λεπίδας **7** με τη λεπίδα **8** προσεχτικά από το μπολ **9**.

15) Αφαιρέστε το υλικό.

## Χτύπημα κρέμας

Με το εξάρτημα ανάδευσης **12** μπορείτε, επίσης, να χτυπήσετε κρέμα (ελάχ. 200 ml, μέγ. 400 ml) με αυτήν τη συσκευή:

- 1) Τοποθετήστε το μπολ **9** στον αντιολισθητικό δακτύλιο **11**.
- 2) Ωθήστε το εξάρτημα ανάδευσης **12** στο στήριγμα λεπίδας **7**:
  - Για 200 - 400 ml κρέμας, ωθήστε το εξάρτημα ανάδευσης **12** κατά τέτοιο τρόπο στο στήριγμα λεπίδας **7**, ώστε το εξάρτημα ανάδευσης **12** να εφαρμόζει και να ασφαλίζει και στα δύο τμήματα της λεπίδας **8** (εικ. 1):



- 3) Τοποθετήστε το στήριγμα λεπίδας **7** με το εξάρτημα ανάδευσης **12** στον άξονα-οδηγό **10**.
- 4) Συμπληρώστε την κρέμα.
- 5) Τοποθετήστε το καπάκι **5** στο μπολ **9** κατά τέτοιο τρόπο, ώστε ο στεγανοποιητικός δακτύλιος **6** να εφαρμόζει στο άκρο του μπολ **9** και το στήριγμα λεπίδας **7** να προεξέχει από το άνοιγμα του καπακιού **5**. Μία από τις δύο ασφάλειες **13**, που βρίσκονται στον εσωτερικό δακτύλιο του καπακιού **5**, πρέπει να έχει φορά προς τα μπροστά, δηλαδή προς τα εσάς.


- 6) Τοποθετήστε το μοτέρ **3** κεντραρισμένα στο καπάκι **5**, ώστε το λογότυπο να έχει φορά προς τα εσάς. Οι δύο ασφάλειες **13** στον εσωτερικό δακτύλιο του καπακιού **5** εφαρμόζουν στις δύο εσοχές στο κάτω μέρος του μοτέρ **3**. Εάν οι ασφάλειες **13** δεν εφαρμόσουν αμέσως στις εσοχές στο κάτω μέρος του μοτέρ **3**, περιστρέψτε ελαφρώς το μοτέρ **3**, μέχρι να εφαρμόσει στο καπάκι **5** και να είναι δυνατή η εφαρμογή των ασφαλειών **13** στις εσοχές.
- 7) Συνδέστε το βύσμα σε μια πρίζα.

## ΥΠΟΔΕΙΞΗ

- ▶ Για το χτύπημα της κρέμας, πρέπει προηγουμένως να έχει κρυώσει (μέγ. 8 °C/θερμοκρασία ψυγείου).
- ▶ Για 200 ml κρέμας, προτείνεται χτύπημα για περ. 30 - 40 δευτερόλεπτα στη βαθμίδα ταχύτητας I **2**.
- ▶ Για 400 ml κρέμας, προτείνεται χτύπημα για περ. 40 δευτερόλεπτα στη βαθμίδα ταχύτητας I **2**.
- ▶ Ο χρόνος χτυπήματος μπορεί να διαφέρει ανάλογα με την ποσότητα και λοιπούς παράγοντες, όπως π.χ. την περιεκτικότητα σε λιπαρά της κρέμας ή την εξωτερική θερμοκρασία! Κατά το χτύπημα, παρατηρήστε την κρέμα και προσαρμόστε το χρόνο χτυπήματος στις ανάγκες σας.

## Καθαρισμός και φροντίδα

### ΠΡΟΕΙΔΟΠΟΙΗΣΗ - ΚΙΝΔΥΝΟΣ ΗΛΕΚΤΡΟΠΛΗΞΙΑΣ!

- ▶ Πριν από τον καθαρισμό της συσκευής, αποσυνδέετε πάντα το βύσμα από την πρίζα.
- ▶  Κατά τον καθαρισμό, δεν επιτρέπεται να βυθίζετε τη συσκευή σε νερό ή να την κρατάτε κάτω από τρεχούμενο νερό.

### ΠΡΟΕΙΔΟΠΟΙΗΣΗ - ΚΙΝΔΥΝΟΣ ΤΡΑΥΜΑΤΙΣΜΟΥ!

- ▶ Κατά τον χειρισμό της εξαιρετικά κοφτερής λεπίδας **8**, παρατηρείται κίνδυνος τραυματισμού. Συναρμολογείτε εκ νέου τη συσκευή μετά τη χρήση και τον καθαρισμό, ώστε να αποφευχθεί τυχόν τραυματισμός από την κινούμενη λεπίδα **8**. Διατηρείτε τη λεπίδα **8** μακριά από τα παιδιά.

### ΠΡΟΣΟΧΗ - ΥΛΙΚΕΣ ΖΗΜΙΕΣ!

- ▶ Μην πλένετε το μοτέρ **3** στο πλυντήριο πιάτων, καθώς θα υποστεί βλάβη.

- 1) Αποσυνδέστε το βύσμα.
- 2) Αποσυναρμολογήστε τη συσκευή για τον καθαρισμό. Αφαιρέστε τον στεγανοποιητικό δακτύλιο **6** από το καπάκι **5**. Αφαιρέστε τον μικρό ελαστικό δίσκο που βρίσκεται στο επάνω άκρο του στηρίγματος λεπίδας **7**.
- 3) Καθαρίστε το μοτέρ **3** με ένα νωπό πανί. Εφόσον απαιτείται, προσθέτετε λίγο ήπιο απορρυπαντικό στο πανί. Σκουπίστε με ένα νωπό πανί με καθαρό νερό, ώστε να απομακρυνθούν όλα τα υπολείμματα απορρυπαντικού.
- 4) Καθαρίστε το μπολ **9**, το εξάρτημα ανάδευσης **12**, το καπάκι **5** με τον στεγανοποιητικό δακτύλιο **6**, το στηρίγμα λεπίδας **7** με λεπίδα **8**, τον μικρό ελαστικό δίσκο του στηρίγματος λεπίδας **7** και τον αντιολισθητικό δακτύλιο **11** με ζεστό νερό προσθέτοντας ήπιο απορρυπαντικό. Ξεπλύντε όλα τα εξαρτήματα με καθαρό νερό, ώστε να μην υπάρχουν πλέον υπολείμματα απορρυπαντικού. Στεγνώστε όλα τα εξαρτήματα καλά.

## ΥΠΟΔΕΙΞΗ



Εναλλακτικά, μπορείτε να πλύνετε το μπολ **9**, το εξάρτημα ανάδευσης **12**, το στηρίγμα λεπίδας **7** με λεπίδα **8** και το καπάκι **5** με τον στεγανοποιητικό δακτύλιο **6** στο πλυντήριο πιάτων. Εφόσον είναι δυνατό, τοποθετείτε τα εξαρτήματα στο επάνω καλάθι του πλυντηρίου πιάτων. Προσέχετε ώστε τα εξαρτήματα να μην μαγκώσουν.

- 5) Μετά τον καθαρισμό, ωθείτε τον στεγανοποιητικό δακτύλιο **6** ξανά στο καπάκι **5**. Φροντίζετε ώστε η επίπεδη πλευρά του στεγανοποιητικού δακτύλιου **6** να εφαρμόζει στο καπάκι **5**.
- 6) Εισαγάγετε τον μικρό ελαστικό δακτύλιο ξανά στο επάνω άκρο του στηρίγματος λεπίδας **7**.

Τώρα, μπορείτε να συναρμολογήσετε ξανά τη συσκευή.

## Αποθήκευση

- Αποθηκεύετε την καθαρή συσκευή σε ένα στεγνό μέρος χωρίς σκόνη.

## Αντιμετώπιση σφαλμάτων

ΠΡΟΒΛΗΜΑ	ΠΙΘΑΝΗ ΑΙΤΙΑ	ΠΙΘΑΝΕΣ ΛΥΣΕΙΣ
Η συσκευή δεν λειτουργεί.	Η συσκευή δεν είναι συνδεδεμένη σε πρίζα.	Συνδέστε τη συσκευή σε μια πρίζα.
	Η συσκευή παρουσιάζει βλάβη.	Απευθυνθείτε στο τμήμα σέρβις.
	Μια οικιακή ασφάλεια είναι ελαττωματική.	Ελέγξτε τις οικιακές ασφάλειες και, εφόσον απαιτείται, αντικαταστήστε τις.
	Η συσκευή ενδέχεται να είναι ελαττωματική.	Απευθυνθείτε στο τμήμα σέρβις.
	Το μοτέρ <b>3</b> δεν εφαρμόζει σωστά στο στήριγμα λεπίδας <b>7</b> .	Τοποθετήστε το μοτέρ <b>3</b> σωστά στο στήριγμα λεπίδας <b>7</b> .

Εάν δεν είναι δυνατή η αντιμετώπιση βλαβών με τις παραπάνω προτάσεις αντιμετώπισης σφαλμάτων, ή εάν διαπιστώσετε άλλα είδη βλαβών, απευθυνθείτε στο τμήμα σέρβις της εταιρείας μας.

## Απόρριψη συσκευής



**Σε καμία περίπτωση μην απορρίπτετε τη συσκευή στα οικιακά απορρίμματα. Αυτό το προϊόν υπόκειται στην ευρωπαϊκή οδηγία 2012/19/ΕΥ.**

Απορρίπτετε τη συσκευή μέσω μιας εγκεκριμένης επιχείρησης απόρριψης ή μέσω της κοινοτικής επιχείρησης απόρριψης. Τηρείτε τις ισχύουσες προδιαγραφές. Σε περίπτωση αμφιβολιών, επικοινωνείτε με την αρμόδια επιχείρηση απόρριψης.



Για πληροφορίες σχετικά με τις δυνατότητες απόρριψης του προϊόντος που δεν χρησιμοποιείται πλέον, απευθυνθείτε στις αρμόδιες υπηρεσίες της κοινότητας ή του δήμου σας.

## Εγγύηση της Kompnass Handels GmbH

Αξιότιμη πελάτισσα, αξιότιμε πελάτη,  
Η παρούσα συσκευή διαθέτει 3 χρόνια εγγύηση από την ημερομηνία αγοράς.  
Στην περίπτωση ελλείψεων στο προϊόν έχετε νομικά δικαιώματα έναντι του  
πωλητή του προϊόντος. Αυτά τα νομικά δικαιώματα δεν περιορίζονται μέσω της  
κατωτέρω αναφερόμενης εγγύησης.

### Προϋποθέσεις εγγύησης

Η περίοδος εγγύησης ξεκινά την ημερομηνία αγοράς. Φυλάσσετε την απόδειξη  
αγοράς. Απαιτείται ως αποδεικτικό αγοράς.

Εάν, εντός τριών ετών από την ημερομηνία αγοράς, παρατηρηθεί κάποιο σφάλ-  
μα υλικού ή κατασκευής στο προϊόν, θα επισκευάσουμε ή θα αντικαταστήσουμε  
(κατόπιν κρίσης μας) το προϊόν δωρεάν ή θα σας επιστραφεί το ποσό αγοράς.  
Η παρούσα εγγύηση προϋποθέτει ότι η ελαττωματική συσκευή και η απόδειξη  
αγοράς θα υποβληθούν μαζί με μια σύντομη περιγραφή αναφορικά με το πού  
βρίσκεται η έλλειψη και τότε παρατηρήθηκε, εντός της περιόδου των τριών ετών.

Εάν το ελάττωμα καλύπτεται από την εγγύησή μας, θα λάβετε το επισκευασμένο  
ή ένα νέο προϊόν. Η αντικατάσταση του προϊόντος συνεπάγεται, σύμφωνα με τον  
ΝΟΜΟΣ 2251/1994, ανανέωση του χρόνου εγγύησης. Για την Κύπρο ισχύει:  
Η επισκευή ή η αντικατάσταση του προϊόντος δε συνεπάγεται ανανέωση του  
χρόνου εγγύησης.

### Περίοδος εγγύησης και νομικές απαιτήσεις λόγω ελλείψεων

Ο χρόνος εγγύησης δεν παρατείνεται μέσω της παροχής εγγύησης. Αυτό ισχύει  
και για εξαρτήματα, τα οποία έχουν αντικατασταθεί και επισκευαστεί. Ενδεχόμε-  
νες ήδη υπάρχουσες ζημιές και ελλείψεις κατά την αγορά πρέπει να γνωστοποι-  
ούνται αμέσως μετά την αποσυσκευασία. Μετά τη λήξη του χρόνου εγγύησης,  
τυχόν εμφανιζόμενες επισκευές χρεώνονται.

### Εύρος εγγύησης

Η συσκευή κατασκευάστηκε σύμφωνα με αυστηρές οδηγίες ποιότητας και ελέγ-  
χθηκε προσεκτικά πριν από την αποστολή.

Η εγγύηση ισχύει για σφάλματα υλικού ή κατασκευής. Η παρούσα εγγύηση δεν  
καλύπτει εξαρτήματα του προϊόντος που υπόκεινται σε φυσιολογική φθορά  
και, ως εκ τούτου, θεωρούνται αναλώσιμα εξαρτήματα ή ζημιές σε εύθραυστα  
εξαρτήματα, π.χ. διακόπτες, συσσωρευτές ή γυάλινα εξαρτήματα. Η παρούσα  
εγγύηση ακυρώνεται εάν προκληθεί ζημιά στο προϊόν, εάν δεν γίνεται σωστή  
χρήση ή συντήρηση. Για μια σωστή χρήση του προϊόντος πρέπει να τηρούνται  
επακριβώς οι αναφερόμενες υποδείξεις στις οδηγίες χειρισμού. Σκοποί χρήσης  
και χειρισμοί που δεν συνιστώνται ή για τους οποίους υπάρχει προειδοποίηση  
πρέπει απαραίτητα να αποφεύγονται. Το προϊόν προορίζεται μόνο για ιδιωτική  
και όχι για επαγγελματική χρήση. Σε περίπτωση κακής μεταχείρισης και ακατά-  
λληλης χρήσης, χρήσης βίας και παρεμβάσεων, οι οποίες δεν διεξήχθησαν από  
το εξουσιοδοτημένο μας τμήμα σέρβις, η εγγύηση παύει να ισχύει.

## Διαδικασία σε περίπτωση εγγύησης

Για την εξασφάλιση γρήγορης επεξεργασίας του ζητήματός σας, τηρείτε τις ακόλουθες υποδείξεις:

- Για όλες τις ερωτήσεις έχετε έτοιμη την απόδειξη αγοράς και τον κωδικό προϊόντος (π.χ. IAN 123456\_7890) ως απόδειξη για την αγορά.
- Για τον κωδικό προϊόντος, ανατρέξτε στην πινακίδα τύπου στο προϊόν, σε μια ετικέτα στο προϊόν, στο εξώφυλλο των οδηγιών χρήσης (κάτω αριστερά) ή σε ένα αυτοκόλλητο στην πίσω ή κάτω πλευρά του προϊόντος.
- Εάν προκύψουν σφάλματα λειτουργίας ή άλλες ελλείψεις, επικοινωνήστε κατ' αρχήν με το ακόλουθο αναφερόμενο τμήμα σέρβις **τηλεφωνικά ή με E-Mail**.
- Ένα προϊόν που θεωρείται ελαττωματικό μπορείτε να το αποστείλετε ατελώς στην αναφερόμενη διεύθυνση του σέρβις επισυνάπτοντας την απόδειξη αγοράς (απόδειξη ταμείου) και αναφέροντας που βρίσκεται η έλλειψη και πότε εμφανίστηκε.



Στην ιστοσελίδα [www.lidl-service.com](http://www.lidl-service.com) μπορείτε να πραγματοποιήσετε λήψη των παρόντων ή άλλων οδηγιών χρήσης, βίντεο προϊόντων και λογισμικού.

Με αυτόν τον κωδικό QR μεταβαίνετε απευθείας στη σελίδα εξυπηρέτησης Lidl ([www.lidl-service.com](http://www.lidl-service.com)) και εισαγάγοντας τον κωδικό προϊόντος (IAN) 364985\_2101 μπορείτε να ανοίξετε τις αντίστοιχες οδηγίες χρήσης.

## Σέρβις

**GR** Σέρβις Ελλάδα  
Tel.: 801 5000 019 (0,03 EUR/Min.)  
E-Mail: [kompernass@lidl.gr](mailto:kompernass@lidl.gr)

**CY** Σέρβις Κύπρος  
Tel.: 8009 4409  
E-Mail: [kompernass@lidl.com.cy](mailto:kompernass@lidl.com.cy)

IAN 364985\_2101

## Εισαγωγείας

Η ακόλουθη διεύθυνση δεν είναι διεύθυνση σέρβις. Επικοινωνήστε, κατ' αρχήν, με την αναφερόμενη υπηρεσία σέρβις.

Για την αγορά της EE



KOMPERNASS HANDELS GMBH  
BURGSTRASSE 21  
44867 BOCHUM  
GERMANIA  
[www.kompernass.com](http://www.kompernass.com)

Για την αγορά της MB

Lidl Great Britain Ltd  
Lidl House 14 Kingston Road  
Surbiton  
KT5 9NU



## Inhaltsverzeichnis

<b>Einleitung</b> .....	<b>34</b>
<b>Bestimmungsgemäße Verwendung</b> .....	<b>34</b>
<b>Lieferumfang</b> .....	<b>34</b>
<b>Auspacken</b> .....	<b>34</b>
Verpackung entsorgen .....	35
<b>Gerätebeschreibung</b> .....	<b>35</b>
<b>Technische Daten</b> .....	<b>36</b>
<b>Sicherheitshinweise</b> .....	<b>37</b>
<b>Vor der ersten Inbetriebnahme</b> .....	<b>39</b>
<b>Bedienen</b> .....	<b>40</b>
Zerkleinern .....	40
Sahne schlagen .....	42
<b>Reinigung und Pflege</b> .....	<b>43</b>
<b>Lagerung</b> .....	<b>44</b>
<b>Fehlerbehebung</b> .....	<b>45</b>
<b>Gerät entsorgen</b> .....	<b>45</b>
<b>Garantie der Kompernaß Handels GmbH</b> .....	<b>46</b>
Service .....	47
Importeur .....	47



Lesen Sie die Bedienungsanleitung vor der ersten Verwendung aufmerksam durch und heben Sie diese für den späteren Gebrauch auf. Händigen Sie bei Weitergabe des Gerätes an Dritte auch die Anleitung aus.

## Einleitung

Herzlichen Glückwunsch zum Kauf Ihres neuen Gerätes!

Sie haben sich damit für ein modernes und hochwertiges Produkt entschieden. Die Bedienungsanleitung ist Bestandteil dieses Produktes. Sie enthält wichtige Hinweise für Sicherheit, Gebrauch und Entsorgung. Machen Sie sich vor der Benutzung des Produkts mit allen Bedien- und Sicherheitshinweisen vertraut. Benutzen Sie dieses Produkt nur wie beschrieben und für die angegebenen Einsatzbereiche. Händigen Sie alle Unterlagen bei Weitergabe des Produkts an Dritte mit aus.

## Bestimmungsgemäße Verwendung

Dieses Gerät dient ausschließlich dem Zerkleinern von Lebensmitteln in kleinen Mengen oder dem Schlagen von Sahne und Emulgieren von Flüssigkeiten. Dieses Gerät ist ausschließlich für die Benutzung im privaten Haushalt bestimmt. Dazu gehört auch die Beachtung aller Informationen in dieser Bedienungsanleitung, insbesondere die Sicherheitshinweise. Jede andere Verwendung gilt als nicht bestimmungsgemäß und kann zu Sachschäden oder sogar zu Personenschäden führen. Es werden keine Haftungen für Schäden, die durch nicht bestimmungsgemäßen Gebrauch entstehen, übernommen.

## Lieferumfang

Das Gerät wird standardmäßig mit folgenden Komponenten geliefert:

- Motorblock
- Deckel
- Schüssel
- Messerhalter mit Messer
- Emulgierscheibe
- Antirutschring
- Bedienungsanleitung

## Auspacken

- 1) Entnehmen Sie alle Teile des Gerätes und die Bedienungsanleitung aus dem Karton.
- 2) Entfernen Sie sämtliches Verpackungsmaterial vom Gerät.

### HINWEIS

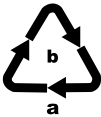
- ▶ Prüfen Sie die Lieferung auf Vollständigkeit und auf sichtbare Schäden.
- ▶ Bei einer unvollständigen Lieferung oder Schäden infolge mangelhafter Verpackung oder durch Transport wenden Sie sich an die Service-Hotline (siehe Kapitel **Service**).

## Verpackung entsorgen

Die Verpackung schützt das Gerät vor Transportschäden. Die Verpackungsmaterialien sind nach umweltverträglichen und entsorgungstechnischen Gesichtspunkten ausgewählt und deshalb recyclebar.



Die Rückführung der Verpackung in den Materialkreislauf spart Rohstoffe und verringert das Abfallaufkommen. Entsorgen Sie nicht mehr benötigte Verpackungsmaterialien gemäß den örtlich geltenden Vorschriften.



Entsorgen Sie die Verpackung umweltgerecht.

Beachten Sie die Kennzeichnung auf den verschiedenen Verpackungsmaterialien und trennen Sie diese gegebenenfalls gesondert. Die Verpackungsmaterialien sind gekennzeichnet mit Abkürzungen (a) und Ziffern (b) mit folgender Bedeutung:  
1-7: Kunststoffe,  
20-22: Papier und Pappe,  
80-98: Verbundstoffe.



### HINWEIS

- Heben Sie, wenn möglich, die Originalverpackung während der Garantiezeit des Gerätes auf, um das Gerät im Garantiefall ordnungsgemäß verpacken zu können.

## Gerätebeschreibung

- 1 Geschwindigkeitstaste - Stufe II
- 2 Geschwindigkeitstaste - Stufe I
- 3 Motorblock
- 4 Messerhalter-Aufnahme
- 5 Deckel
- 6 Dichtungsring
- 7 Messerhalter
- 8 Messer
- 9 Schüssel
- 10 Führungsschnecke
- 11 Antirutschring
- 12 Emulgierscheibe
- 13 Arretierung

## Technische Daten

Netzspannung	220-240 V ~ (Wechselstrom), 50 Hz
Nennleistung	500 W
Schutzklasse	II  (Doppelisolierung)
KB-Zeit	30 Sekunden beim Arbeiten mit dem Messer <b>8</b>
	2 Minuten beim Arbeiten mit der Emulgierscheibe <b>12</b>
Fassungsvermögen Schüssel <b>9</b>	1200 ml
Max. Einfüllmenge	bis zur 500 ml-Markierung
	Alle Teile dieses Gerätes, die mit Lebensmitteln in Berührung kommen, sind lebensmittelecht.




Dieses Zeichen bestätigt, dass das Produkt den in Großbritannien geltenden Anforderungen an die Produktsicherheit entspricht.

### KB-ZEIT

Die KB-Zeit (Kurzzeitbetrieb) gibt an, wie lange man ein Gerät betreiben kann, ohne dass der Motor überhitzt und Schaden nimmt. Nach der angegebenen KB-Zeit muss das Gerät so lange ausgeschaltet werden, bis sich der Motor abgekühlt hat.

## Sicherheitshinweise

### STROMSCHLAGGEFAHR

- ▶ Schließen Sie das Gerät nur an eine vorschriftsmäßig installierte Netzsteckdose mit einer Netzspannung von 220–240 V~, mit 50 Hz an.
  - ▶ Wenn die Netzanschlussleitung dieses Gerätes beschädigt wird, muss sie durch den Hersteller oder seinen Kundendienst oder eine ähnlich qualifizierte Person ersetzt werden, um Gefährdungen zu vermeiden.
  - ▶ Ziehen Sie bei Betriebsstörungen und bevor Sie das Gerät reinigen den Netzstecker aus der Netzsteckdose.
  - ▶ Ziehen Sie das Netzkabel stets am Stecker aus der Netzsteckdose, ziehen Sie nicht am Kabel selbst.
  - ▶ Knicken oder quetschen Sie das Netzkabel nicht und verlegen Sie das Netzkabel so, dass niemand darauf treten oder darüber stolpern kann.
  - ▶ Sie dürfen das Gerät keiner Feuchtigkeit aussetzen und nicht im Freien benutzen. Falls doch einmal Flüssigkeit in das Gerätegehäuse gelangt, ziehen Sie sofort den Netzstecker des Geräts aus der Netzsteckdose und lassen Sie es von qualifiziertem Fachpersonal reparieren.
  - ▶ Fassen Sie Gerät, Netzkabel und -stecker nie mit nassen Händen an.
  - ▶ Wenn das Netzkabel oder der Motorblock beschädigt sind, müssen Sie das Gerät vom Fachpersonal reparieren lassen, bevor Sie es erneut verwenden. Sie dürfen das Motorblockgehäuse nicht öffnen. In diesem Falle ist die Sicherheit nicht gegeben und die Gewährleistung erlischt.
  - ▶ Trennen Sie das Gerät sofort nach dem Gebrauch vom Stromnetz. Nur wenn Sie den Netzstecker aus der Netzsteckdose ziehen, ist es vollständig stromfrei.
-  Sie dürfen den Motorblock keinesfalls in Flüssigkeit tauchen und keine Flüssigkeiten in das Gehäuse des Motorblocks gelangen lassen.

## **⚠️ WARNUNG! VERLETZUNGSGEFAHR!**

- ▶ Vor dem Auswechseln von Zubehör oder Zusatzteilen, die im Betrieb bewegt werden, muss das Gerät ausgeschaltet und vom Netz getrennt werden.
- ▶ Missbrauchen Sie das Gerät nicht für andere Zwecke, als in dieser Anleitung beschrieben. Bei Missbrauch des Gerätes besteht Verletzungsgefahr!
- ▶ Gehen Sie vorsichtig beim Leeren der Schüssel vor! Das Messer ist sehr scharf!
- ▶ Gehen Sie vorsichtig beim Reinigen des Gerätes vor! Das Messer ist sehr scharf!
- ▶ Das Gerät ist bei nicht vorhandener Aufsicht und vor dem Zusammenbau, dem Auseinandernehmen oder Reinigen stets vom Netz zu trennen.
- ▶ Das Gerät darf nicht von Kindern benutzt werden.
- ▶ Das Gerät und seine Anschlussleitung sind von Kindern fernzuhalten.
- ▶ Dieses Gerät kann von Personen mit reduzierten physischen, sensorischen oder mentalen Fähigkeiten oder Mangel an Erfahrung und/oder Wissen benutzt werden, wenn sie beaufsichtigt oder bezüglich des sicheren Gebrauchs des Gerätes unterwiesen wurden und die daraus resultierenden Gefahren verstanden haben.
- ▶ Kinder dürfen nicht mit dem Gerät spielen.
- ▶ Kinder müssen beaufsichtigt werden, um sicherzustellen, dass sie nicht mit dem Gerät spielen.
- ▶ Beim Umgang mit dem extrem scharfen Messer besteht Verletzungsgefahr. Setzen Sie das Gerät nach Benutzung und Reinigung wieder zusammen, damit Sie sich nicht am freiliegenden Messer verletzen. Halten Sie das Messer für Kinder unzugänglich.

## **⚠️ WARNUNG! VERLETZUNGSGEFAHR!**

- ▶ Entnehmen Sie niemals die Lebensmittel aus der Schüssel, solange sich das Messer noch dreht. Verletzungsgefahr!
- ▶ Warten Sie, bis das Messer steht, bevor Sie den Motorblock abnehmen.
- ▶ Greifen Sie niemals in das noch rotierende Messer! Verletzungsgefahr!
- ▶ Sie dürfen das Gerät beim Arbeiten mit der Emulgierscheibe nicht länger als 2 Minuten und beim Arbeiten mit dem Messer 30 Sekunden laufen lassen. Lassen Sie es danach abkühlen.

## **ACHTUNG - GERÄTESCHÄDEN!**

- ▶ Benutzen Sie das Gerät nicht, um kochende oder heiße Lebensmittel zu verarbeiten.
- ▶ Benutzen Sie das Gerät nicht, um Knochen, Kaffeebohnen, Getreide, Muskatnüsse oder gefrorene Lebensmittel zu zerkleinern. Ausgenommen hiervon sind Eiswürfel.
- ▶ Beachten Sie die Tabelle über die Füllmengen im Kapitel "Zerkleinern". Andernfalls besteht Verschmutzungsgefahr durch herausquellendes Füllgut.
- ▶ Sie dürfen den Motorblock nicht in der Geschirrspülmaschine reinigen, dieser würde dadurch beschädigt.
- ▶ Betreiben Sie das Gerät niemals im Leerzustand.

## **Vor der ersten Inbetriebnahme**

Reinigen Sie das Gerät vor der ersten Inbetriebnahme wie im Kapitel **Reinigung und Pflege** beschrieben.

## Bedienen Zerkleinern

- 1) Setzen Sie die Schüssel **9** auf den Antirutschring **11**.
- 2) Stecken Sie den Messerhalter **7** mit dem Messer **8** auf die Führungssache **10**.
- 3) Bereiten Sie das Füllgut vor:

### ACHTUNG - SACHSCHADEN!

- ▶ Besonders harte Lebensmittel müssen vor der Bearbeitung in kleinere Stücke zerteilt werden (ca. 2 cm). Ansonsten kann der Motor blockieren. Wählen Sie eine pulsierende Bearbeitung bei harten Lebensmitteln. Drücken Sie hierzu mehrfach kurzzeitig die jeweilige Geschwindigkeits-Taste **1/2**.
  - Schneiden Sie feste Lebensmittel in ca. 2 cm große Stücke.
  - Entfernen Sie Stängel und Stiele von Kräutern.
  - Entfernen Sie bei Nüssen, z. B. Walnüsse, die Außenschale.
  - Entfernen Sie Knochen, Haut und Sehnen vom Fleisch.

- 4) Geben Sie das Füllgut in die Schüssel **9**. Für optimale Ergebnisse empfehlen wir folgende maximale Füllmengen:

Lebensmittel	Max. Füllmenge	Bearbeitungszeit	Geschwindigkeit
Knoblauch	250 g	pulsierend ca. 5 x 2 Sek.	Stufe II
Zwiebeln	250 g	pulsierend ca. 5 x 1 Sek.	Stufe I
Karotten	250 g	2 x 5 Sek	Stufe I
Mandeln	250 g	grob: 1 x 10 Sek. mittel: 1 x 15 Sek. fein: 3 x 15 Sek.	Stufe II
Fleisch (gewürfelt, 2 x 2 cm)	300 g	6 x 5 Sek.	Stufe II
Eiswürfel	100 g	pulsierend grob 10 x 1 Sek. fein 20 x 1 Sek.	Stufe II

Die angegebenen Zeiten und Mengen in dieser Tabelle sind Richtwerte und können je nach Beschaffenheit der verarbeiteten Lebensmittel variieren!

- 5) Legen Sie den Deckel **5** so auf die Schüssel **9**, dass der Dichtungsring **6** auf dem Rand der Schüssel **9** aufliegt und der Messerhalter **7** durch die Öffnung des Deckels **5** ragt. Eine der beiden Arretierungen **13**, die sich am inneren Ring des Deckels **5** befinden, sollte dabei nach vorne, zu Ihnen, weisen.

- 6) Setzen Sie den Motorblock **3** mittig auf den Deckel **5**, so dass das Logo zu Ihnen weist. Die beiden Arretierungen **13** am inneren Ring des Deckels **5** greifen nun in die beiden Aussparungen an der Unterseite des Motorblocks **3**. Sollten die Arretierungen **13** nicht sofort in die Aussparungen an der Unterseite des Motorblocks **3** rutschen, drehen Sie den Motorblock **3** ein wenig, bis dieser bündig auf dem Deckel **5** sitzt und die Arretierungen **13** in die Aussparungen gerutscht sind.
- 7) Verbinden Sie den Netzstecker mit einer Netzsteckdose.

## HINWEIS

- ▶ Halten Sie während der Verarbeitung der Lebensmittel mit der einen Hand die Schüssel **9** fest und mit der anderen den Motorblock **3**.
- 8) Drücken Sie die gewünschte Geschwindigkeitstaste **1/2**. Das Messer **8** dreht sich, solange Sie die Geschwindigkeitstaste **1/2** gedrückt halten. Sobald Sie diese lösen, stoppt der Motor.

## ACHTUNG - SACHSCHADEN!

- ▶ Falls sich das Messer **8** nur stockend oder gar nicht dreht, lösen Sie sofort die Geschwindigkeitstaste **1/2** und ziehen Sie den Netzstecker. Kontrollieren Sie, ob das Messer **8** durch zu harte/zähe Lebensmittel eingeklemmt ist und lösen Sie diese. Ansonsten kann der Motor überhitzen.

## HINWEIS

- ▶ Sollten Lebensmittel an der Innenseite der Schüssel **9** hängen bleiben und nicht mehr von dem Messer **8** erfasst werden, öffnen Sie den Deckel **5** und schieben Sie die Lebensmittel mit einem Teigschaber o. Ä. wieder nach unten.

- 9) Wenn das Füllgut zerkleinert worden ist, lassen Sie die Geschwindigkeitstaste **1/2** los.
- 10) Ziehen Sie den Netzstecker.

## ⚠ WARNUNG - VERLETZUNGSGEFAHR!

- ▶ Entnehmen Sie niemals die Lebensmittel aus der Schüssel **9**, solange sich das Messer **8** noch dreht. Es besteht Verletzungsgefahr und herausspritzender Inhalt könnte zu Verschmutzungen führen.

- 11) Warten Sie, bis das Messer **8** stillsteht.
- 12) Heben Sie den Motorblock **3** vom Deckel **5**.
- 13) Nehmen Sie den Deckel **5** ab.

## ⚠️ WARNUNG - VERLETZUNGSGEFAHR!

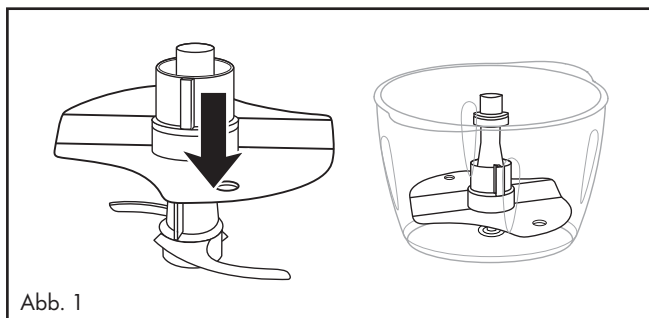
- Beim Umgang mit dem extrem scharfen Messer **8** besteht Verletzungsgefahr. Machen Sie das Messer **8** für Kinder unzugänglich.

- 14) Ziehen Sie den Messerhalter **7** mit dem Messer **8** vorsichtig aus der Schüssel **9**.
- 15) Entnehmen Sie das Füllgut.

## Sahne schlagen

Mit der Emulgierscheibe **12** können Sie mit diesem Gerät auch Sahne schlagen (min. 200 ml, max. 400 ml):

- 1) Setzen Sie die Schüssel **9** auf den Antirutschring **11**.
- 2) Schieben Sie die Emulgierscheibe **12** auf den Messerhalter **7**:
  - Um 200–400 ml Sahne zu schlagen, stecken Sie die Emulgierscheibe **12** so auf den Messerhalter **7**, dass die Emulgierscheibe **12** auf beiden Teilen des Messers **8** aufliegt und einrastet (Abb. 1):



- 3) Stecken Sie den Messerhalter **7** mit der Emulgierscheibe **12** auf die Führungsachse **10**.
- 4) Füllen Sie die Sahne ein.
- 5) Legen Sie den Deckel **5** so auf die Schüssel **9**, dass der Dichtungsring **6** auf dem Rand der Schüssel **9** aufliegt und der Messerhalter **7** durch die Öffnung des Deckels **5** ragt. Eine der beiden Arretierungen **13**, die sich am inneren Ring des Deckels **5** befinden, sollte dabei nach vorne, zu Ihnen, weisen.


- 6) Setzen Sie den Motorblock **3** mittig auf den Deckel **5**, so dass das Logo zu Ihnen weist. Die beiden Arretierungen **13** am inneren Ring des Deckels **5**, greifen nun in die beiden Aussparungen an der Unterseite des Motorblocks **3**. Sollten die Arretierungen **13** nicht sofort in die Aussparungen an der Unterseite des Motorblocks **3** rutschen, drehen Sie den Motorblock **3** ein wenig, bis dieser bündig auf dem Deckel **5** sitzt und die Arretierungen **13** in die Aussparungen gerutscht sind.
- 7) Stecken Sie den Netzstecker in eine Netzsteckdose.

## HINWEIS

- ▶ Um Sahne zu schlagen, sollte diese vor dem Steifschlagen gut gekühlt sein (max. 8 °C/Kühlschranktemperatur).
- ▶ Wir empfehlen bei 200 ml Sahne eine Schlagzeit von ca. 30–40 Sekunden bei Geschwindigkeitsstufe I **2**.
- ▶ Bei 400 ml Sahne empfehlen wir eine Schlagzeit von ca. 40 Sekunden bei Geschwindigkeitsstufe I **2**.
- ▶ Bedingt durch die Menge und verschiedene Einflüsse, wie z. B. Fettgehalt der Sahne oder die Außentemperatur, kann die Schlagzeit variieren! Beobachten Sie die Sahne während des Steifschlagens und passen Sie die Schlagzeit Ihren Bedürfnissen an.

## Reinigung und Pflege

### **WARNUNG - STROMSCHLAGGEFAHR!**

- ▶ Bevor Sie das Gerät reinigen, ziehen Sie immer den Netzstecker aus der Netzsteckdose.
- ▶  Sie dürfen das Gerät bei der Reinigung keinesfalls in Wasser tauchen oder unter fließendes Wasser halten.

### **WARNUNG - VERLETZUNGSGEFAHR!**

- ▶ Beim Umgang mit dem extrem scharfen Messer **8** besteht Verletzungsgefahr. Setzen Sie das Gerät nach Benutzung und Reinigung wieder zusammen, damit Sie sich nicht am freiliegenden Messer **8** verletzen. Machen Sie das Messer **8** für Kinder unzugänglich.

### **ACHTUNG - SACHSCHADEN!**

- ▶ Sie dürfen den Motorblock **3** nicht in der Geschirrpülmaschine reinigen, dieser würde dadurch beschädigt.

- 1) Ziehen Sie den Netzstecker.
- 2) Nehmen Sie das Gerät zum Reinigen auseinander. Ziehen Sie den Dichtungsring **6** vom Deckel **5**. Entfernen Sie die kleine Gummischeibe, die sich am oberen Ende des Messerhalters **7** befindet.
- 3) Reinigen Sie den Motorblock **3** mit einem feuchten Tuch. Geben Sie gegebenenfalls ein mildes Spülmittel auf das Tuch. Wischen Sie mit einem nur mit klarem Wasser befeuchteten Tuch nach, so dass alle Spülmittelreste entfernt werden.
- 4) Reinigen Sie die Schüssel **9**, die Emulgierscheibe **12**, den Deckel **5** mit Dichtungsring **6**, den Messerhalter **7** mit Messer **8**, die kleine Gummischeibe des Messerhalters **7** und den Antirutschring **11** in warmem Wasser und geben Sie ein mildes Spülmittel hinzu. Spülen Sie alle Teile mit klarem Wasser nach, so dass keine Spülmittelreste daran haften. Trocknen Sie alle Teile gut ab.

## HINWEIS



Alternativ können die Schüssel **9**, die Emulgierscheibe **12**, der Messerhalter **7** mit Messer **8** und der Deckel **5** mit Dichtungsring **6** in der Geschirrspülmaschine gereinigt werden. Legen Sie die Teile möglichst in den oberen Korb der Spülmaschine. Achten Sie darauf, dass die Teile nicht eingeklemmt werden.

- 5) Schieben Sie nach der Reinigung den Dichtungsring **6** wieder auf den Bund des Deckels **5**. Achten Sie darauf, dass die flache Seite des Dichtungsringes **6** plan auf dem Deckel **5** aufliegt.
- 6) Stecken Sie den kleinen Gummiring wieder auf das obere Ende des Messerhalters **7**.

Sie können das Gerät nun wieder zusammenstecken.

## Lagerung

- Lagern Sie das gereinigte Gerät an einem trockenen und staubfreien Ort.

## Fehlerbehebung

PROBLEM	MÖGLICHE URSACHE	MÖGLICHE LÖSUNGEN
Das Gerät funktioniert nicht.	Das Gerät ist nicht mit einer Netzsteckdose verbunden.	Schließen Sie das Gerät an eine Netzsteckdose an.
	Das Gerät ist beschädigt.	Wenden Sie sich an den Service.
	Eine Haushaltssicherung ist defekt.	Überprüfen Sie die Haushaltssicherungen und erneuern Sie diese gegebenenfalls.
	Das Gerät ist möglicherweise defekt.	Wenden Sie sich an den Service.
	Der Motorblock ③ sitzt nicht korrekt auf dem Messerhalter ⑦.	Setzen Sie den Motorblock ③ korrekt auf den Messerhalter ⑦.

Sollten sich die Störungen nicht mit oben stehenden Fehlerbehebungen beheben lassen oder wenn Sie andere Arten von Störungen feststellen, wenden Sie sich bitte an unseren Service.

## Gerät entsorgen



**Werfen Sie das Gerät keinesfalls in den normalen Hausmüll. Dieses Produkt unterliegt der europäischen Richtlinie 2012/19/EU.**

Entsorgen Sie das Gerät über einen zugelassenen Entsorgungsbetrieb oder über Ihre kommunale Entsorgungseinrichtung. Beachten Sie die aktuell geltenden Vorschriften. Setzen Sie sich im Zweifelsfall mit Ihrer Entsorgungseinrichtung in Verbindung.



Möglichkeiten zur Entsorgung des ausgedienten Produkts erfahren Sie bei Ihrer Gemeinde- oder Stadtverwaltung.

## Garantie der Kompernaß Handels GmbH

Sehr geehrte Kundin, sehr geehrter Kunde,

Sie erhalten auf dieses Gerät 3 Jahre Garantie ab Kaufdatum. Im Falle von Mängeln dieses Produkts stehen Ihnen gegen den Verkäufer des Produkts gesetzliche Rechte zu. Diese gesetzlichen Rechte werden durch unsere im Folgenden dargestellte Garantie nicht eingeschränkt.

### Garantiebedingungen

Die Garantiefrist beginnt mit dem Kaufdatum. Bitte bewahren Sie den Kassenbonn gut auf. Dieser wird als Nachweis für den Kauf benötigt.

Tritt innerhalb von drei Jahren ab dem Kaufdatum dieses Produkts ein Material- oder Fabrikationsfehler auf, wird das Produkt von uns – nach unserer Wahl – für Sie kostenlos repariert, ersetzt oder der Kaufpreis erstattet. Diese Garantieleistung setzt voraus, dass innerhalb der Dreijahresfrist das defekte Gerät und der Kaufbeleg (Kassenbonn) vorgelegt und schriftlich kurz beschrieben wird, worin der Mangel besteht und wann er aufgetreten ist.

Wenn der Defekt von unserer Garantie gedeckt ist, erhalten Sie das reparierte oder ein neues Produkt zurück. Mit Reparatur oder Austausch des Produkts beginnt kein neuer Garantiezeitraum.

### Garantiezeit und gesetzliche Mängelansprüche

Die Garantiezeit wird durch die Gewährleistung nicht verlängert. Dies gilt auch für ersetzte und reparierte Teile. Eventuell schon beim Kauf vorhandene Schäden und Mängel müssen sofort nach dem Auspacken gemeldet werden. Nach Ablauf der Garantiezeit anfallende Reparaturen sind kostenpflichtig.

### Garantieumfang

Das Gerät wurde nach strengen Qualitätsrichtlinien sorgfältig produziert und vor Auslieferung gewissenhaft geprüft.

Die Garantieleistung gilt für Material- oder Fabrikationsfehler. Diese Garantie erstreckt sich nicht auf Produktteile, die normaler Abnutzung ausgesetzt sind und daher als Verschleißteile angesehen werden können oder für Beschädigungen an zerbrechlichen Teilen, z. B. Schalter, Akkus oder Teile, die aus Glas gefertigt sind.

Diese Garantie verfällt, wenn das Produkt beschädigt, nicht sachgemäß benutzt oder gewartet wurde. Für eine sachgemäße Benutzung des Produkts sind alle in der Bedienungsanleitung aufgeführten Anweisungen genau einzuhalten. Verwendungszwecke und Handlungen, von denen in der Bedienungsanleitung abgeraten oder vor denen gewarnt wird, sind unbedingt zu vermeiden.

Das Produkt ist nur für den privaten und nicht für den gewerblichen Gebrauch bestimmt. Bei missbräuchlicher und unsachgemäßer Behandlung, Gewaltanwendung und bei Eingriffen, die nicht von unserer autorisierten Serviceniederlassung vorgenommen wurden, erlischt die Garantie.

## Abwicklung im Garantiefall

Um eine schnelle Bearbeitung Ihres Anliegens zu gewährleisten, folgen Sie bitte den folgenden Hinweisen:

- Bitte halten Sie für alle Anfragen den Kassensbon und die Artikelnummer (z. B. IAN 123456\_7890) als Nachweis für den Kauf bereit.
- Die Artikelnummer entnehmen Sie bitte dem Typenschild am Produkt, einer Gravur am Produkt, dem Titelblatt der Bedienungsanleitung (unten links) oder dem Aufkleber auf der Rück- oder Unterseite des Produktes.
- Sollten Funktionsfehler oder sonstige Mängel auftreten, kontaktieren Sie zunächst die nachfolgend benannte Serviceabteilung **telefonisch** oder per **E-Mail**.
- Ein als defekt erfasstes Produkt können Sie dann unter Beifügung des Kaufbelegs (Kassensbon) und der Angabe, worin der Mangel besteht und wann er aufgetreten ist, für Sie portofrei an die Ihnen mitgeteilte Serviceanschrift übersenden.



Auf [www.lidl-service.com](http://www.lidl-service.com) können Sie diese und viele weitere Handbücher, Produktvideos und Installationssoftware herunterladen.

Mit diesem QR-Code gelangen Sie direkt auf die Lidl-Service-Seite ([www.lidl-service.com](http://www.lidl-service.com)) und können mittels der Eingabe der Artikelnummer (IAN) 364985\_2101 Ihre Bedienungsanleitung öffnen.

## Service

### DE Service Deutschland

Tel.: 0800 5435 111 (kostenfrei aus dem dt. Festnetz/Mobilfunknetz)

E-Mail: [kompernass@lidl.de](mailto:kompernass@lidl.de)

### AT Service Österreich

Tel.: 0820 201 222 (0,15 EUR/Min.)

E-Mail: [kompernass@lidl.at](mailto:kompernass@lidl.at)

### CH Service Schweiz

Tel.: 0842 665566 (0,08 CHF/Min., Mobilfunk max. 0,40 CHF/Min.)

E-Mail: [kompernass@lidl.ch](mailto:kompernass@lidl.ch)

IAN 364985\_2101

## Importeur

Bitte beachten Sie, dass die folgende Anschrift keine Serviceanschrift ist. Kontaktieren Sie zunächst die benannte Servicestelle.

### Für den EU-Markt



KOMPERNASS HANDELS GMBH

BURGSTRASSE 21

44867 BOCHUM

DEUTSCHLAND

[www.kompernass.com](http://www.kompernass.com)

### Für den GB-Markt

Lidl Great Britain Ltd

Lidl House 14 Kingston Road

Surbiton

KT5 9NU



**KOMPERNASS HANDELS GMBH**

BURGSTRASSE 21

44867 BOCHUM

GERMANY

[www.kompennass.com](http://www.kompennass.com)

Last Information Update · Έκδοση των πληροφοριών · Stand der Informationen:  
03 / 2021 · Ident.-No.: SMZE500C2-032021-1

---

IAN 364985\_2101