

# SILVERCREST®



## MINI CHOPPER SMZ 260 I4

GB IE NI CY

### MINI CHOPPER

Operating instructions

DE AT CH

### MULTIZERKLEINERER

Bedienungsanleitung

GR CY

### ΜΠΛΕΝΤΕΡ

Οδηγίες χρήσης

IAN 326512\_1904

GB IE  
NI CY



GB IE NI CY

Before reading, unfold the page containing the illustrations and familiarise yourself with all functions of the device.

---

GR CY

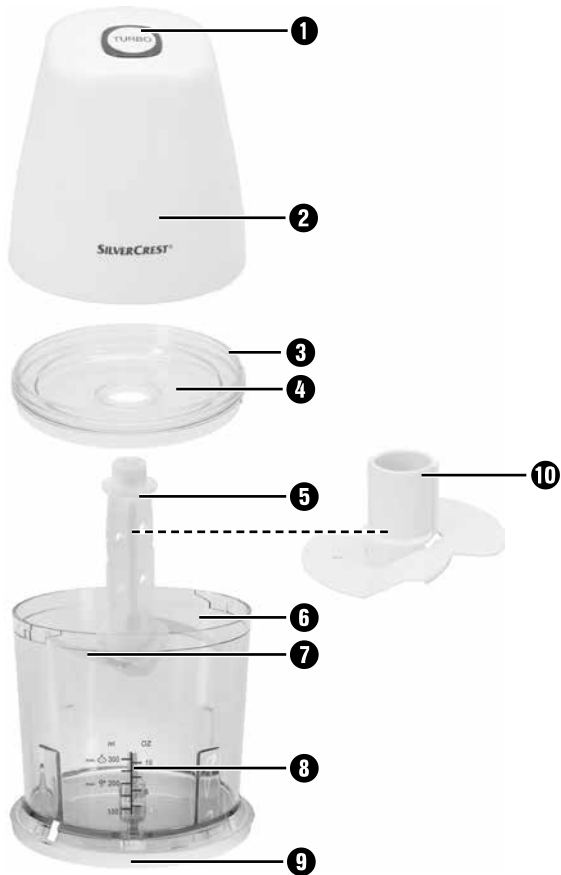
Πριν ξεκινήσετε την ανάγνωση, ανοίξτε τη σελίδα με τις εικόνες και εξοικειωθείτε με όλες τις λειτουργίες της συσκευής.

---

DE AT CH

Klappen Sie vor dem Lesen die Seite mit den Abbildungen aus und machen Sie sich anschließend mit allen Funktionen des Gerätes vertraut.

GB/IE/NI/CY	Operating instructions	Page	1
GR/CY	Οδηγίες χρήσης	Σελίδα	15
DE/AT/CH	Bedienungsanleitung	Seite	29

**A****B****C**

## Contents

<b>Introduction</b> .....	<b>2</b>
<b>Intended use</b> .....	<b>2</b>
<b>Package contents</b> .....	<b>2</b>
<b>Unpacking</b> .....	<b>2</b>
Disposal of the packaging .....	3
<b>Appliance description</b> .....	<b>3</b>
<b>Technical details</b> .....	<b>4</b>
<b>Safety information</b> .....	<b>4</b>
<b>Operation</b> .....	<b>7</b>
Chopping .....	7
Whipping cream .....	10
<b>Cleaning and care</b> .....	<b>11</b>
<b>Troubleshooting</b> .....	<b>12</b>
<b>Appendix</b> .....	<b>12</b>
Disposal of the appliance .....	12
Kompernass Handels GmbH warranty .....	13
Service .....	14
Importer .....	14



Read these operating instructions carefully before using the appliance for the first time and retain them for future reference. Please pass these operating instructions on to any future owner(s).

## Introduction

Congratulations on the purchase of your new appliance!

You have chosen a modern, high-quality product. These operating instructions are part of the product. They contain important information about safety, usage and disposal. Before using the product, please familiarise yourself with all operating and safety instructions. This appliance may only be used as described and for the purposes indicated. Please also pass these operating instructions on to any future owner.

## Intended use

This appliance is intended for the chopping of boneless foods in small amounts or for whipping cream. This appliance is intended exclusively for use in domestic households.

All other uses are deemed to be improper and may result in property damage or even in personal injury. No liability will be accepted for damages which result from improper use of the appliance.

This appliance is not intended for use in companies or for other commercial uses.

## Package contents

The appliance is supplied with the following components as standard:

- Mini Chopper
- Blade holder with blade
- Whisk attachment
- Stand
- Operating instructions

## Unpacking

- 1) Remove all parts of the appliance and the operating instructions from the box.
- 2) Remove all packaging materials from the appliance.

### NOTE

- ▶ Check the package for completeness and for signs of visible damage.
- ▶ If the delivery is incomplete or damage has occurred as a result of defective packaging or during transport, contact the Service hotline (see section **Service**).

## Disposal of the packaging

The packaging protects the appliance from damage during transport. The packaging materials have been selected for their environmental friendliness and ease of disposal, and are therefore recyclable.



Returning the packaging to the material cycle conserves raw materials and reduces the amount of waste that is generated. Dispose of packaging materials that are no longer needed in accordance with applicable local regulations.



Dispose of the packaging in an environmentally friendly manner.

Note the labelling on the packaging and separate the packaging material components for disposal if necessary. The packaging material is labelled with abbreviations (a) and numbers (b) with the following meanings:

1 - 7: Plastics,

20 - 22: Paper and cardboard,

80 - 98: Composites.

### NOTE

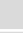
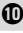

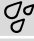

- ▶ If possible, keep the original packaging of the appliance for the entire duration of the warranty period so that the appliance can be packed properly for return shipment in the event of a warranty claim.

## Appliance description

Figure A:

- 1 Turbo button
- 2 Motor unit
- 3 Lid flange
- 4 Lid
- 5 Blade holder
- 6 Bowl
- 7 Blade
- 8 Bearing
- 9 Stand
- 10 Whisk attachment

## Technical details

Mains voltage	220 - 240 V ~ (alternating current), 50 Hz
Rated power	260 W
Protection class	II /  (double insulation)
CO time	1 minute ( with whisk attachment  )
Max. filling quantity	Food products up to the 300 ml marking 
	Liquids up to the 200 ml marking 
	All parts of this appliance which come into contact with food are food-safe.

### CO TIME

The CO time (continuous operation time) is the amount of time an appliance can be operated without the motor overheating and becoming damaged. After the appliance has been operated for this duration of time, switch it off until the motor has cooled down.

## Safety information

### **WARNING! RISK OF ELECTRIC SHOCK!**

- ▶ Connect the appliance only to a correctly installed power socket supplying a mains power voltage of 220 - 240 V ~, at 50 Hz.
- ▶ To prevent accidents, have defective plugs and/or power cables replaced immediately by an authorised specialist technician or our Customer Service department.
- ▶ In event of operating malfunctions and before cleaning the appliance, remove the power plug from the mains power socket.
- ▶ Always remove the power cable from the socket by pulling on the plug, not on the power cable itself.

## **WARNING! RISK OF ELECTRIC SHOCK!**

- ▶ Do not kink or crush the power cable, and route the cable so that it cannot be stepped on or tripped over.
- ▶ Do not expose the appliance to humidity and do not use it outdoors. If any liquid gets into the housing, disconnect the appliance from the mains power socket immediately and have it repaired by a qualified technician.
- ▶ Never hold the appliance, power cable or power plug with wet hands.
- ▶ If the power cable or the motor unit are damaged, you must have the appliance repaired by qualified technicians before using it again. Do not attempt to open the motor unit housing. This can lead to risks and also invalidates the warranty.
- ▶ Disconnect the appliance from the mains power source immediately after use. The appliance is completely free of electrical power only when unplugged.



Never immerse the motor unit in liquid and do not allow any liquids to enter the motor unit casing.

## **WARNING! RISK OF INJURY!**

- ▶ Before changing any accessories or additional parts which move during operation, the appliance must be switched off and disconnected from mains power.
- ▶ Never use the appliance for purposes other than those described in these instructions.
- ▶ Take care when emptying the bowl! The blade is extremely sharp!
- ▶ Take care when cleaning the appliance! The blade is extremely sharp!



## **⚠ WARNING! RISK OF INJURY!**

- ▶ The appliance must always be disconnected from the mains when left unsupervised and before assembly, disassembly or cleaning.
- ▶ This appliance may not be used by children.
- ▶ The appliance and its connecting cable must be kept away from children.
- ▶ This appliance may be used by persons with limited physical, sensory or mental capabilities or lack of experience and knowledge, provided that they are under supervision or have been told how to use the appliance safely and are aware of the potential risks.
- ▶ Do not allow children to use the appliance as a plaything.
- ▶ Children should be supervised to ensure that they do not play with the appliance.
- ▶ Handle the extremely sharp blade with caution as it can cause injuries. Reassemble the appliance after using and/or cleaning it so that you do not injure yourself with the exposed blade. Keep the blade out of the reach of children.
- ▶ Never attempt to remove foodstuffs from the bowl for as long as the blade is still rotating. Risk of injury!
- ▶ Wait until the blade has stopped rotating before removing the motor unit.
- ▶ Never try to grasp the blade if it is still rotating!  
Risk of injury!

## **⚠ WARNING! RISK OF FIRE!**

- ▶ Do not allow the appliance to run for more than 1 minute. Afterwards, allow it to cool down.

## CAUTION! APPLIANCE DAMAGE!

- ▶ See the table on the recommended fill quantities in the section "Chopping". Otherwise, there is a risk of contamination due to leaking contents.
- ▶ Do not clean the motor unit in the dishwasher, as this will damage it.
- ▶ Never fill the appliance with hot liquids! Otherwise the appliance could be damaged!

## Operation

### Chopping

#### NOTE

- ▶ Before first use, you must clean the appliance thoroughly as described in the section on cleaning.

- 1) Place the bowl **6** on the stand **9**.
- 2) Insert the blade holder **5** with the blade **7** onto the bearing **8**.
- 3) Prepare the food by chopping larger pieces into pieces (approx. 2 cm) which will fit better into the bowl **6**.
- 4) Add the food to the bowl **6**. Please note the following table:

Food	Fill level	Processing time	Speed
Onions Garlic	100 g	pulse	turbo
Tomatoes	200 g	10 sec.	normal
Hazelnuts	200 g	3 x 8 sec.	turbo
Almonds	200 g	coarse: 1 x 15 sec. medium: 2 x 15 sec. fine: 3 x 15 sec.	turbo
Cheese (Gouda, young, fridge temperature)	150 g	2 x 15 sec.	turbo

Eggs (hard-boiled)	3 (150 g)	2 x 4 sec.	turbo
Meat	200 g	4 x 12 sec.	turbo
Ice cubes	100 g	15 x 1 sec. pulse	turbo

- 5) Close the bowl **6** with the lid **4**. Place it onto the bowl **6** so that the lugs on the lid **4** grip into the guides on the bowl **6**. Turn the lid **4** so that the lugs slide into the guides below.
  - 6) Place the motor unit **2** on the lid flange **3**.
  - 7) Press the motor unit **2** downwards as shown in fig. B. The motor starts at normal speed.
- For a higher processing speed (Turbo) for the food, press on both the motor unit **2** and the Turbo button **1** and keep both pressed down as shown in Fig. C.

## NOTES

- ▶ If larger pieces start collecting on the wall of the bowl during processing, lift the motor unit **2** off the lid flange **3**. Give the bowl **6** a firm shake and restart the processing. Any residues can be removed with a spatula.
  - ▶ Particularly hard foods should be cut into small pieces (approx. 2 cm) before processing. Otherwise, the motor unit could block. Use a pulsing processing method when working with hard foods. To do this, press the Turbo button **1** several times briefly (in addition to the motor unit **2**). If the food is not completely chopped, you can either cut it into smaller pieces or lift the motor unit **2** off of the lid flange **3**. Give the bowl **6** a firm shake and restart the processing.
- 8) If the food is fully chopped, let go of the motor unit **2** and, if applicable, the Turbo button **1**.
  - 9) Remove the power plug from the socket.

## **⚠ WARNING! RISK OF INJURY!**

- ▶ Never attempt to remove food from the bowl **6** while the blade **7** is still turning. There is a risk of injury and food can also spray out and make a mess.

10) Wait until the blade **7** has come to a complete standstill.

11) Lift the motor unit **2** off the lid flange **3**.

12) Remove the lid **4**.

## **⚠ WARNING! RISK OF INJURY!**

- ▶ Handle the extremely sharp blade **7** with caution as it can cause injuries. Keep the blade **7** out of the reach of children.

13) Pull the blade holder **5** with the blade **7** carefully out of the bowl **6**.

14) Remove the food.

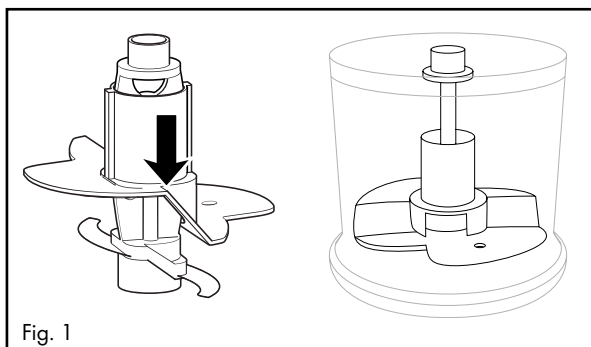
## **NOTES**

- ▶ Chopping harder, abrasive foods can cause the bowl **6** to take on a dull appearance. This is normal and will not impair the functioning of the appliance.
- ▶ After you have finished processing the food, you can use the stand **9** as a lid for the bowl **6** to keep the food fresh for longer.
  - Take the motor unit **2** and the lid **4** off the bowl **6**.
  - The blade holder **5** with the blade **7** can, if so desired, remain in the bowl **6**.
  - Remove the stand **9** from the underside of the bowl **6**. Turn the stand **9**. You can now place the stand **9** on the bowl **6** so that it closes off the bowl **6**.

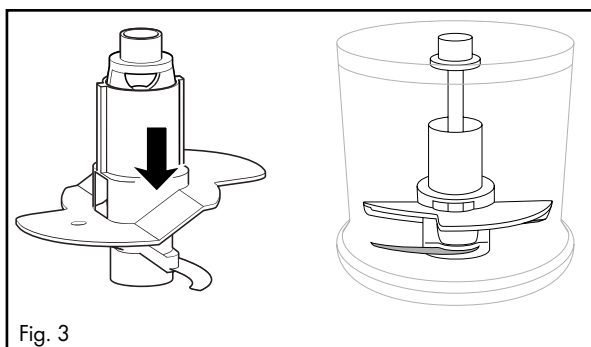
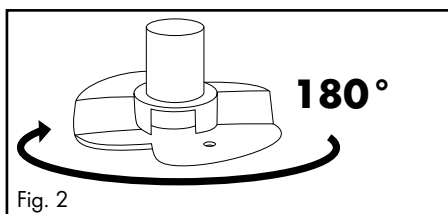
## Whipping cream

You can also use the appliance to whip cream with the help of the whisk attachment **10**:

- 1) Place the bowl **6** on the stand **9**.
- 2) Push the whisk attachment **10** onto the blade holder **5**:
  - For 100 ml of cream, place it onto the blade holder **5** so that the whisk attachment **10** is in contact with both blades **7** and clicks into place (fig. 1):



- For 200 ml of cream, turn the whisk attachment **10** horizontally by 180° (fig. 2), so that it is in contact with only one blade **7** and clicks into place (fig. 3). It then churns higher through the cream.



- 3) Attach the blade holder **5** together with the whisk attachment **10** to the bearing **8**.
- 4) Add the cream.
- 5) Close the bowl **6** with the lid **4**: Place it onto the bowl **6** so that the lugs on the lid **4** grip into the guides on the bowl **6**. Turn the lid **4** so that the lugs slide into the guides below.
- 6) Place the motor unit **2** on the lid flange **3**.
- 7) Press the motor unit **2** downwards as shown in fig. B. The motor starts at normal speed.

## NOTE

- ▶ To whip cream, you should make sure that it is well chilled before whipping (max. 8 °C/fridge temperature).
- ▶ For 100 ml of cream, we recommend a whipping time of around 30 seconds at normal speed.
- ▶ For 200 ml of cream, we recommend a whipping time of around 30 - 50 seconds at normal speed.
- ▶ Depending on certain factors, such as fat content or the ambient temperature, the whipping time can vary. Keep an eye on the cream while you are whipping it and adjust the whipping time to fit your needs.

## Cleaning and care

### **WARNING! RISK OF ELECTRIC SHOCK**

- ▶ Always remove the plug from the mains power socket before cleaning the appliance.



- ▶ You must never immerse the appliance in water when cleaning it or hold it under running water.

### **WARNING! RISK OF INJURY!**

- ▶ Handle the extremely sharp blade **7** with caution as it can cause injuries. Reassemble the appliance after using and/or cleaning it so that you do not injure yourself with the exposed blade **7**. Keep the blade **7** out of the reach of children.

## CAUTION! PROPERTY DAMAGE!

- ▶ Do not clean the motor unit ② in the dishwasher, as this will damage it.
- Remove the power plug from the socket.
- Clean the motor block ② and the blade holder ⑤ and the blade ⑦ with a well-wrung-out sponge.
- Clean the bowl ⑥, the whisk attachment ⑩, the lid ④ and the stand ⑨ in warm water with a little mild detergent. Rinse all the parts afterwards using fresh water and dry them with a tea towel.



Alternatively, you can clean all of the parts apart from the motor unit ② in the dishwasher. If possible, place the parts in the top basket of the dishwasher. Ensure that the parts are not trapped in any way.

## Troubleshooting

PROBLEM	POSSIBLE CAUSE	POSSIBLE SOLUTIONS
The appliance is not working.	The appliance is not connected to a mains power socket.	Connect the appliance to a mains power socket.
	The appliance is damaged.	Contact the Customer Service department.
	A household fuse has blown.	Check the household fuses and replace them if necessary.
	The appliance is possibly defective.	Contact the Customer Service department.

If the malfunction cannot be corrected using one of the suggestions above, or if you have found some other kind of malfunction, please contact our Customer Service department.

## Appendix

### Disposal of the appliance



**Never dispose of the appliance in your normal domestic waste. This product is subject to the provisions of European Directive 2012/19/EU.**

Dispose of the appliance via an approved disposal company or your municipal waste facility. Please comply with all applicable regulations. Please contact your waste disposal centre if you are in any doubt.



Your local community or municipal authorities can provide information on how to dispose of the worn-out product.

## **Kompernass Handels GmbH warranty**

Dear Customer,

This appliance has a 3-year warranty valid from the date of purchase. If this product has any faults, you, the buyer, have certain statutory rights. Your statutory rights are not restricted in any way by the warranty described below.

### **Warranty conditions**

The warranty period starts on the date of purchase. Please keep your receipt in a safe place. This will be required as proof of purchase.

If any material or manufacturing fault occurs within three years of the date of purchase of the product, we will either repair or replace the product for you or refund the purchase price (at our discretion). This warranty service requires that you present the defective appliance and the proof of purchase (receipt) within the three-year warranty period, along with a brief written description of the fault and of when it occurred.

If the defect is covered by the warranty, your product will either be repaired or replaced by us. The repair or replacement of a product does not signify the beginning of a new warranty period.

### **Warranty period and statutory claims for defects**

The warranty period is not prolonged by repairs effected under the warranty. This also applies to replaced and repaired components. Any damage and defects present at the time of purchase must be reported immediately after unpacking. Repairs carried out after expiry of the warranty period shall be subject to a fee.

### **Scope of the warranty**

This appliance has been manufactured in accordance with strict quality guidelines and inspected meticulously prior to delivery.

The warranty covers material faults or production faults. The warranty does not extend to product parts subject to normal wear and tear or to fragile parts which could be considered as consumable parts such as switches, batteries or parts made of glass.

The warranty does not apply if the product has been damaged, improperly used or improperly maintained. The directions in the operating instructions for the product regarding proper use of the product are to be strictly followed. Uses and actions that are discouraged in the operating instructions or which are warned against must be avoided.

This product is intended solely for private use and not for commercial purposes. The warranty shall be deemed void in cases of misuse or improper handling, use of force and modifications/repairs which have not been carried out by one of our authorised Service centres.



## Warranty claim procedure

To ensure quick processing of your case, please observe the following instructions:

- Please have the till receipt and the item number (e.g. IAN 12345) available as proof of purchase.
- You will find the item number on the type plate on the product, an engraving on the product, on the front page of the operating instructions (below left) or on the sticker on the rear or bottom of the product.
- If functional or other defects occur, please contact the service department listed either by **telephone** or by **e-mail**.
- You can return a defective product to us free of charge to the service address that will be provided to you. Ensure that you enclose the proof of purchase (till receipt) and information about what the defect is and when it occurred.



You can download these instructions along with many other manuals, product videos and installation software at [www.lidl-service.com](http://www.lidl-service.com).

This QR code will take you directly to the Lidl service page ([www.lidl-service.com](http://www.lidl-service.com)) where you can open your operating instructions by entering the item number (IAN) 123456.

## Service

### **GB** Service Great Britain

Tel.: 0800 404 7657

E-Mail: [kompernass@lidl.co.uk](mailto:kompernass@lidl.co.uk)

### **IE** Service Ireland

Tel.: 1890 930 034

(0,08 EUR/Min., (peak))

(0,06 EUR/Min., (off peak))

E-Mail: [kompernass@lidl.ie](mailto:kompernass@lidl.ie)

### **CY** Service Cyprus

Tel.: 8009 4409

E-Mail: [kompernass@lidl.com.cy](mailto:kompernass@lidl.com.cy)

IAN 326512\_1904

## Importer

Please note that the following address is not the service address. Please use the service address provided in the operating instructions.

KOMPERNASS HANDELS GMBH

BURGSTRASSE 21

44867 BOCHUM

GERMANY

[www.kompernass.com](http://www.kompernass.com)

## Περιεχόμενα

<b>Εισαγωγή</b> . . . . .	<b>16</b>
<b>Προβλεπόμενη χρήση</b> . . . . .	<b>16</b>
<b>Παραδοτέος εξοπλισμός</b> . . . . .	<b>16</b>
<b>Αποσυσκευασία</b> . . . . .	<b>16</b>
Απόρριψη της συσκευασίας . . . . .	17
<b>Περιγραφή συσκευής</b> . . . . .	<b>17</b>
<b>Τεχνικά χαρακτηριστικά</b> . . . . .	<b>18</b>
<b>Υποδείξεις ασφαλείας</b> . . . . .	<b>18</b>
<b>Χειρισμός</b> . . . . .	<b>21</b>
Τεμαχισμός . . . . .	21
Χτύπημα κρέμας . . . . .	24
<b>Καθαρισμός και φροντίδα</b> . . . . .	<b>25</b>
<b>Διόρθωση σφαλμάτων</b> . . . . .	<b>26</b>
<b>Παράρτημα</b> . . . . .	<b>26</b>
Απόρριψη συσκευής . . . . .	26
Εγγύηση της Kompernass Handels GmbH . . . . .	27
Σέρβις . . . . .	28
Εισαγωγέας . . . . .	28



Διαβάστε προσεκτικά τις οδηγίες χρήσης πριν από την πρώτη χρήση και φυλάξτε τις για μελλοντική χρήση. Σε περίπτωση παράδοσης της συσκευής σε τρίτους παραδώστε μαζί και τις οδηγίες χρήσης.

## Εισαγωγή

Συγχαρητήρια για την αγορά της νέας σας συσκευής!

Αποφασίσατε έτσι για την απόκτηση ενός προϊόντος υψηλής ποιότητας. Οι οδηγίες χρήσης αποτελούν τμήμα αυτού του προϊόντος. Περιέχουν σημαντικές υποδείξεις για την ασφάλεια, τη χρήση και την απόρριψη. Πριν από τη χρήση του προϊόντος, εξοικειωθείτε με όλες τις υποδείξεις χειρισμού και ασφάλειας. Χρησιμοποιείτε αυτό το προϊόν μόνο όπως περιγράφεται και για τα αναφερόμενα πεδία χρήσης. Παραδώστε όλα τα έγγραφα σε περίπτωση παράδοσης του προϊόντος σε τρίτους.

## Προβλεπόμενη χρήση

Η παρούσα συσκευή εξυπηρετεί αποκλειστικά στο κομμάτισμα τροφίμων χωρίς κόκαλα σε μικρές ποσότητες ή για το χτύπημα κρέμας. Η συσκευή αυτή προορίζεται αποκλειστικά για χρήση στο ιδιωτικό νοικοκυριό.

Κάθε άλλη χρήση ισχύει ως μη σύμφωνη με τους κανονισμούς και μπορεί να οδηγήσει σε υλικές ζημιές ή ακόμη και σε σωματικές βλάβες. Δεν αναλαμβάνουμε καμία ευθύνη για βλάβες που προκαλούνται από χρήση μη σύμφωνη με τους κανονισμούς.

Η συσκευή δεν προβλέπεται για τη λειτουργία σε επιχειρήσεις ή για επαγγελματική χρήση.

## Παραδοτέος εξοπλισμός

Η συσκευή παραδίδεται κανονικά με τα εξής στοιχεία:

- Μπλέντερ
- Στήριγμα λεπίδας με λεπίδα
- Εξάρτημα ανάδευσης
- Βάση στήριξης
- Οδηγίες χρήσης

## Αποσυσκευασία

- 1) Αφαιρέστε όλα τα εξαρτήματα της συσκευής και τις οδηγίες χρήσης από το κουτί.
- 2) Απομακρύνετε όλα τα υλικά συσκευασίας από τη συσκευή.

### ΥΠΟΔΕΙΞΗ

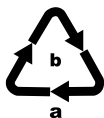
- ▶ Ελέγξτε τον παραδοτέο εξοπλισμό ως προς την πληρότητα και για εμφανείς φθορές.
- ▶ Σε περίπτωση ελλιπούς παραδοτέου εξοπλισμού ή ζημιών λόγω ελλιπούς συσκευασίας ή λόγω μεταφοράς, απευθυνθείτε στην ανοικτή τηλεφωνική γραμμή εξυπηρέτησης (βλ. κεφάλαιο **Σέρβις**).

## Απόρριψη της συσκευασίας

Η συσκευασία προστατεύει τη συσκευή από φθορές κατά τη μεταφορά. Τα υλικά συσκευασίας έχουν επιλεγεί σύμφωνα με τους οικολογικούς παράγοντες και τους παράγοντες της τεχνικής απόρριψης και για το λόγο αυτό είναι ανακυκλώσιμα.



Η επιστροφή της συσκευασίας στο κύκλωμα υλικών εξοικονομεί πρώτες ύλες και μειώνει την ποσότητα των απορριμμάτων. Απορρίψτε τα υλικά συσκευασίας που δεν χρησιμοποιούνται πλέον σύμφωνα με τις τοπικές ισχύουσες προδιαγραφές.



Απορρίψτε τη συσκευασία με φιλικό τρόπο προς το περιβάλλον. Λαμβάνετε υπόψη τη σήμανση στα διαφορετικά υλικά συσκευασίας και, εφόσον απαιτείται, ξεχωρίζετε τα. Τα υλικά συσκευασίας φέρουν σήμανση με συντομογραφίες (a) και ψηφία (b) με την εξής σημασία:

1-7: Πλαστικά,  
20-22: Χαρτί και χαρτόνι,  
80-98: Συνθετικά υλικά.

### ΥΠΟΔΕΙΞΗ






- ▶ Εάν είναι δυνατόν, φυλάξτε τη γνήσια συσκευασία κατά τη διάρκεια της εγγύησης, για να μπορείτε, σε περίπτωση εγγύησης, να συσκευάσετε τη συσκευή σωστά.

## Περιγραφή συσκευής

Εικόνα A:

- 1 Πλήκτρο τούρμπο
- 2 Μοτέρ
- 3 Σύνδεση καπακιού
- 4 Καπάκι
- 5 Στήριγμα λεπίδας
- 6 Μπολ
- 7 Λεπίδα
- 8 Έδρανο
- 9 Βάση στήριξης
- 10 Εξάρτημα ανάδευσης

## Τεχνικά χαρακτηριστικά

Τάση δικτύου	220 - 240 V ~ (εναλλασσόμενο ρεύμα), 50 Hz
Ονομαστική ισχύς	260 W
Κατηγορία προστασίας	II /  (διπλή θωράκιση)
Χρόνος σύντομης λειτουργίας (ΣΛ)	1 λεπτό ( με Εξάρτημα ανάδευσης  )
Μέγ. ποσότητα πλήρωσης	Τρόφιμα έως τη σήμανση 300 ml 
	Υγρά έως τη σήμανση 200 ml 
	Όλα τα εξαρτήματα αυτής της συσκευής που έρχονται σε επαφή με τρόφιμα μπορούν να χρησιμοποιούνται με ασφάλεια στα τρόφιμα.

### ΧΡΟΝΟΣ ΣΥΝΤΟΜΗΣ ΛΕΙΤΟΥΡΓΙΑΣ (ΣΛ)

Ο χρόνος σύντομης λειτουργίας δείχνει για πόσο χρόνο μπορεί κανείς να λειτουργεί μια συσκευή χωρίς να υπερθερμανθεί το μοτέρ και χωρίς να υποστεί βλάβες. Μετά τον δοθέντα χρόνο σύντομης λειτουργίας η συσκευή πρέπει να απενεργοποιηθεί έως ότου το μοτέρ κρυώσει.

## Υποδείξεις ασφαλείας

### ΚΙΝΔΥΝΟΣ ΗΛΕΚΤΡΟΠΛΗΞΙΑΣ!

- ▶ Συνδέστε τη συσκευή μόνο σε μία σύμφωνα με τις προδιαγραφές σωστά εγκατεστημένη πρίζα με τάση δικτύου 220 - 240 V ~, με 50 Hz.
- ▶ Τα βύσματα ή τα καλώδια που έχουν υποστεί βλάβη πρέπει να αντικαθίστανται αμέσως από εξουσιοδοτημένο εξειδικευμένο προσωπικό ή από το τμήμα εξυπηρέτησης πελατών, ώστε να αποφεύγονται κίνδυνοι.
- ▶ Σε περίπτωση δυσλειτουργιών και πριν από τον καθαρισμό της συσκευής αποσυνδέετε το βύσμα από την πρίζα.
- ▶ Αφαιρείτε πάντα το καλώδιο δικτύου από την πρίζα, τραβώντας το βύσμα και όχι το ίδιο το καλώδιο.

**⚠ ΚΙΝΔΥΝΟΣ ΗΛΕΚΤΡΟΠΛΗΞΙΑΣ!**

- ▶ Μην τσακίζετε ή συμπιέζετε το καλώδιο και τοποθετείτε το κατά τέτοιο τρόπο, ώστε να μην μπορεί κανείς να το πατήσει ή να σκοντάψει σε αυτό.
- ▶ Απαγορεύεται η έκθεση της συσκευής σε υγρασία, καθώς και η χρήση της σε εξωτερικούς χώρους. Στην περίπτωση που εισχωρήσει, πάντως, υγρό στο περίβλημα της συσκευής, αποσυνδέστε αμέσως το βύσμα της συσκευής από την πρίζα και αναθέστε την επισκευή σε εξειδικευμένο προσωπικό.
- ▶ Ποτέ μην πιάνετε τη συσκευή, το καλώδιο και το βύσμα με βρεγμένα χέρια.
- ▶ Εάν το καλώδιο δικτύου ή το μοτέρ υποστούν βλάβη, πρέπει να αναθέσετε την επισκευή της συσκευής σε εξειδικευμένο προσωπικό, προτού τη χρησιμοποιήσετε εκ νέου. Δεν επιτρέπεται να ανοίγετε το περίβλημα του μοτέρ. Σε αυτήν την περίπτωση δεν διασφαλίζεται πλέον η ασφαλής λειτουργία και ακυρώνεται η εγγύηση.
- ▶ Μετά τη χρήση, αποσυνδέετε αμέσως τη συσκευή από το δίκτυο ρεύματος. Μόνο όταν αφαιρείτε το βύσμα από την πρίζα διακόπτεται πλήρως η τροφοδοσία ρεύματος στη συσκευή.



Δεν επιτρέπεται σε καμία περίπτωση να βυθίζετε το μοτέρ σε υγρά, ούτε και να εισχωρούν υγρά μέσα στο περίβλημα του μοτέρ.

**⚠ ΠΡΟΕΙΔΟΠΟΙΗΣΗ! ΚΙΝΔΥΝΟΣ ΤΡΑΥΜΑΤΙΣΜΟΥ!**

- ▶ Πριν από την αντικατάσταση αξεσουάρ ή πρόσθετων εξαρτημάτων, τα οποία κινούνται κατά τη λειτουργία, η συσκευή πρέπει να απενεργοποιηθεί και να αποσυνδεθεί από το δίκτυο.
- ▶ Μη χρησιμοποιείτε τη συσκευή για άλλους σκοπούς από τους περιγραφόμενους στις παρούσες οδηγίες.
- ▶ Να είστε προσεκτικοί κατά το άδειασμα του μπολ! Η λεπίδα είναι πολύ κοφτερή!

## **⚠ ΠΡΟΕΙΔΟΠΟΙΗΣΗ! ΚΙΝΔΥΝΟΣ ΤΡΑΥΜΑΤΙΣΜΟΥ!**

- ▶ Να είστε προσεκτικοί κατά τον καθαρισμό της συσκευής!  
Η λεπίδα είναι πολύ κοφτερή!
- ▶ Η συσκευή πρέπει να αποσυνδέεται πάντα από το δίκτυο όταν δεν επιτηρείται και πριν από τη συναρμολόγηση, την αποσυναρμολόγηση ή τον καθαρισμό.
- ▶ Η συσκευή δεν επιτρέπεται να χρησιμοποιείται από παιδιά.
- ▶ Η συσκευή και το καλώδιο σύνδεσής της πρέπει να φυλάσσονται μακριά από τα παιδιά.
- ▶ Επιτρέπεται χρήση αυτής της συσκευής από άτομα με μειωμένες φυσικές, αισθητηριακές ή νοητικές ικανότητες ή με έλλειψη εμπειρίας και/ή γνώσεων, εφόσον επιτηρούνται ή έχουν εκπαιδευτεί αναφορικά με την ασφαλή χρήση της συσκευής και έχουν κατανοήσει τους επακόλουθους κινδύνους.
- ▶ Τα παιδιά δεν επιτρέπεται να παίζουν με τη συσκευή.
- ▶ Τα παιδιά πρέπει να επιτηρούνται, ώστε να είναι βέβαιο ότι δεν παίζουν με τη συσκευή.
- ▶ Κίνδυνος τραυματισμού κατά το χειρισμό της υπερβολικά κοφτερής λεπίδας. Συναρμολογείτε εκ νέου τη συσκευή μετά τη χρήση και τον καθαρισμό, ώστε να αποφευχθεί τυχόν τραυματισμός από την κινούμενη λεπίδα. Κρατάτε τη λεπίδα μακριά από παιδιά.
- ▶ Ποτέ να μην αφαιρείτε τρόφιμα από το δοχείο όσο περιστρέφεται η λεπίδα. Κίνδυνος τραυματισμού!
- ▶ Περιμένετε μέχρι να ακινητοποιηθεί η λεπίδα προτού αφαιρέσετε το μοτέρ.
- ▶ Ποτέ μην έρχεστε σε επαφή με τη λεπίδα όσο αυτή περιστρέφεται! Κίνδυνος τραυματισμού!

## **⚠ ΠΡΟΕΙΔΟΠΟΙΗΣΗ! ΚΙΝΔΥΝΟΣ ΠΥΡΚΑΓΙΑΣ!**

- ▶ Δεν επιτρέπεται η λειτουργία της συσκευής για παραπάνω από 1 λεπτό. Κατόπιν, αφήνετέ την να κρυώνει.

## ΠΡΟΣΟΧΗ! ΖΗΜΙΕΣ ΣΤΗ ΣΥΣΚΕΥΗ!

- ▶ Προσέχετε τον πίνακα για τις ποσότητες πλήρωσης στο κεφάλαιο «Τεμαχισμός». Αλλιώς, υπάρχει κίνδυνος να λερωθείτε εσείς ή ο γύρω χώρος από προϊόν πλήρωσης που εκτοξεύεται.
- ▶ Δεν επιτρέπεται να καθαρίζετε το μοτέρ στο πλυντήριο πιάτων, διότι έτσι θα καταστραφεί.
- ▶ Μη γεμίζετε με καυτά υγρά τη συσκευή! Αλλιώς, η συσκευή μπορεί να πάθει βλάβη!

## Χειρισμός

### Τεμαχισμός

#### ΥΠΟΔΕΙΞΗ

- ▶ Πριν την πρώτη χρήση, πρέπει να καθαρίσετε λεπτομερώς τη συσκευή σύμφωνα με τις οδηγίες στο κεφάλαιο για τον καθαρισμό.

- 1) Τοποθετήστε το μπολ ❹ στη βάση στήριξης ❸.
- 2) Εισάγετε το στήριγμα της λεπίδας ❺ με τη λεπίδα ❷ στο έδρανο ❸.
- 3) Προετοιμάστε το είδος πλήρωσης, ψιλοκόβοντας μεγάλα τεμάχια (περ. 2 εκ.), ώστε να χωράνε στο μπολ ❹.
- 4) Βάλτε το είδος πλήρωσης μέσα στο μπολ ❹. Προσέξτε τον ακόλουθο πίνακα:

Τρόφιμα	Ποσότητα πλήρωσης	Χρόνος επεξεργασίας	Ταχύτητα
Κρεμμύδια Σκόρδο	100 γρ.	παλμική λειτουργία	turbo
Τομάτες	200 γρ.	10 δευτ.	κανονικό
Φουντούκια	200 γρ.	3 x 8 δευτ.	turbo
Αμύγδαλα	200 γρ.	χοντρά: 1 x 15 δευτ. μέτρια: 2 x 15 δευτ. λεπτά: 3 x 15 δευτ.	turbo
Τυρί (Γκούντα, νέας παραγωγής, θερμοκρασία ψυγείου)	150 γρ.	2 x 15 δευτ.	turbo
Αυγά (σφιχτά)	3 τεμάχια (150 γρ.)	2 x 4 δευτ.	turbo



Κρέας	200 γρ.	4 x 12 δευτ.	turbo
Παγάκια	100 γρ.	15 x 1 δευτ. παλμική λειτουργία	turbo

- 5) Κλείστε το μπολ **6** με το καπάκι **4**: Τοποθετήστε το έτσι επάνω στο μπολ **6**, ώστε οι προεξοχές στο καπάκι **4** να πιάνουν στις ράγες στο μπολ **6**. Περιστρέψτε, στη συνέχεια, το καπάκι **4** έτσι ώστε οι μύτες να ολισθαίνουν προς τα κάτω στις ράγες.
  - 6) Τοποθετήστε το μοτέρ **2** στη σύνδεση καπακιού **3**.
  - 7) Πιέστε το μοτέρ **2** προς τα κάτω, όπως φαίνεται στην εικόνα Β. Το μοτέρ ξεκινάει με την κανονική ταχύτητα επεξεργασίας.
- Για να έχετε μια υψηλότερη ταχύτητα επεξεργασίας «Τούρμπο» για το είδος πλήρωσης, πατήστε επιπλέον στο μοτέρ **2** το πλήκτρο Turbo **1** και κρατήστε το πατημένο, όπως φαίνεται στην εικόνα C.

## ΥΠΟΔΕΙΞΕΙΣ

- ▶ Εάν, κατά την επεξεργασία, συγκεντρωθούν μεγαλύτερα κομμάτια από το είδος πλήρωσης στα τοιχώματα του μπολ, σηκώστε το μοτέρ **2** από τη σύνδεση καπακιού **3**. Ανακινήστε δυνατά το μπολ **6** και επανεκκινήστε κατόπιν την επεξεργασία. Απομακρύνετε τυχόν υπολείμματα με ένα ξέστρο ζύμης.
  - ▶ Τα ιδιαίτερα σκληρά τρόφιμα πρέπει να κοπούν σε μικρότερα τεμάχια πριν την επεξεργασία (περ. 2 εκ.). Αλλιώς, το μοτέρ μπορεί να μπλοκάρει. Επιλέξτε μια παλμική επεξεργασία σε σκληρά τρόφιμα. Πιέστε πολλές φορές σύντομα το πλήκτρο Turbo **1** (επιπρόσθετα στο μοτέρ **2**). Εάν το είδος πλήρωσης δεν ψιλοκόβεται εντελώς, μπορείτε είτε να το κόψετε σε μικρότερα κομμάτια είτε να σηκώσετε το μοτέρ **2** από τη σύνδεση καπακιού **3**. Ανακινήστε δυνατά το μπολ **6** και επανεκκινήστε κατόπιν την επεξεργασία.
- 8) Όταν το είδος πλήρωσης κοπεί σε μικρά κομμάτια, αφήστε το μοτέρ **2** και εφόσον απαιτείται το πλήκτρο Turbo **1**.
  - 9) Αποσυνδέστε το βύσμα.

## **⚠ ΠΡΟΕΙΔΟΠΟΙΗΣΗ! ΚΙΝΔΥΝΟΣ ΤΡΑΥΜΑΤΙΣΜΟΥ!**

- ▶ Ποτέ να μην αφαιρείτε τρόφιμα από το μπολ **6** όσο περιστρέφεται ακόμα η λεπίδα **7**. Υπάρχει κίνδυνος τραυματισμού και μπορεί να λερωθείτε εσείς ή ο γύρω χώρος από εκτοξευόμενο περιεχόμενο.

- 10) Περιμένετε έως ότου ακινητοποιηθεί η λεπίδα **7**.
- 11) Σηκώστε το μοτέρ **2** από τη σύνδεση καπακιού **3**.
- 12) Απομακρύνετε το καπάκι **4**.

## **⚠ ΠΡΟΕΙΔΟΠΟΙΗΣΗ! ΚΙΝΔΥΝΟΣ ΤΡΑΥΜΑΤΙΣΜΟΥ!**

- ▶ Κίνδυνος τραυματισμού κατά το χειρισμό της υπερβολικά κοφτερής λεπίδας **7**. Διατηρείτε τη λεπίδα **7** μακριά από τα παιδιά.

- 13) Τραβήξτε το στήριγμα της λεπίδας **5** με τη λεπίδα **7** προσεκτικά έξω από το μπολ **6**.
- 14) Απομακρύνετε το είδος πλήρωσης.

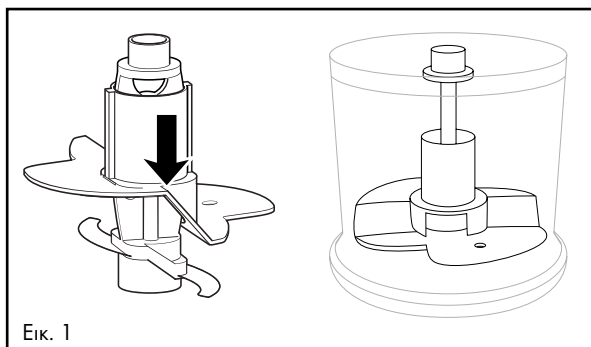
## **ΥΠΟΔΕΙΞΕΙΣ**

- ▶ Ψιλοκόβοντας και τρίβοντας σκληρότερα τρόφιμα, το μπολ **6** μπορεί με την πάροδο του χρόνου να αποκτήσει θολή όψη. Αυτό είναι φυσιολογικό και δεν επηρεάζει τη λειτουργία της συσκευής.
- ▶ Αφότου ολοκληρώσετε την επεξεργασία των τροφίμων, μπορείτε να χρησιμοποιήσετε τη βάση στήριξης **9** σαν καπάκι για το μπολ **6**, για να διατηρείτε τα τρόφιμα φρέσκα για μεγαλύτερο χρονικό διάστημα.
  - Αφαιρέστε το μοτέρ **2** και το καπάκι **4** από το μπολ **6**.
  - Το στήριγμα της λεπίδας **5** με τη λεπίδα **7** μπορεί, εφόσον επιθυμείτε, να παραμείνει μέσα στο μπολ **6**.
  - Χαλαρώστε τη βάση στήριξης **9** από την κάτω πλευρά του μπολ **6**. Γυρίστε τη βάση στήριξης **9** ανάποδα. Τώρα, μπορείτε να τοποθετήσετε τη βάση στήριξης **9** επάνω στο μπολ **6**, έτσι ώστε η βάση να ασφαλιζεί το μπολ **6**.

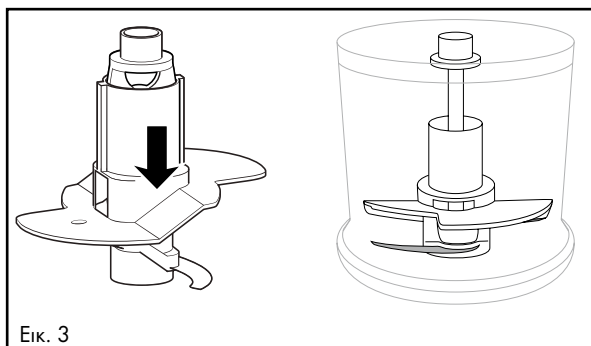
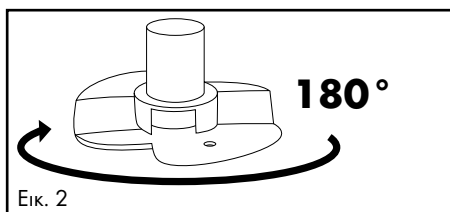
## Χτύπημα κρέμας

Με το εξάρτημα ανάδευσης **10** μπορείτε, επίσης, να χτυπήσετε και κρέμα σε αυτή τη συσκευή:

- 1) Τοποθετήστε το μπολ **6** στη βάση στήριξης **9**.
- 2) Ωθήστε το εξάρτημα ανάδευσης **10** στο στήριγμα της λεπίδας **5**:
  - Για 100 ml κρέμα, τοποθετήστε το έτσι στο στήριγμα της λεπίδας **5**, ώστε το εξάρτημα ανάδευσης **10** να εδράζεται και στις δύο λεπίδες **7** και να κουμπώνει (Εικ. 1):



- Για 200 ml κρέμας, περιστρέψτε το εξάρτημα ανάδευσης **10** οριζόντια κατά  $180^\circ$  (εικ. 2), ώστε να εδράζεται και να ασφαλίσει μόνο σε μία λεπίδα **7** (εικ. 3). Περνάει τότε πιο ψηλά μέσα από την κρέμα:




- 3) Εισάγετε το στήριγμα της λεπίδας **5** με το εξάρτημα ανάδευσης **10** επάνω στο έδρανο **8**.
- 4) Γεμίστε με την κρέμα.
- 5) Κλείστε το μπολ **6** με το καπάκι **4**: Τοποθετήστε το έτσι επάνω στο μπολ **6**, ώστε οι προεξοχές στο καπάκι **4** να πιάνουν στις ράγες στο μπολ **6**. Περιστρέψτε, στη συνέχεια, το καπάκι **4** έτσι ώστε οι μύτες να ολισθαίνουν προς τα κάτω στις ράγες.
- 6) Τοποθετήστε το μοτέρ **2** στη σύνδεση καπακιού **3**.
- 7) Πιέστε το μοτέρ **2** προς τα κάτω, όπως φαίνεται στην εικόνα Β. Το μοτέρ ξεκινάει με την κανονική ταχύτητα επεξεργασίας.

## ΥΠΟΔΕΙΞΗ

- ▶ Για να χτυπήσετε κρέμα πρέπει προηγουμένως να έχει κρυώσει καλά (μέγ. 8°C/θερμοκρασία ψυγείου).
- ▶ Για 100 ml κρέμα συστήνουμε ένα χρόνο χτυπήματος περ. 30 δευτερολέπτων σε κανονική ταχύτητα.
- ▶ Για 200 ml κρέμα συστήνουμε ένα χρόνο χτυπήματος περ. 30 – 50 δευτερολέπτων σε κανονική ταχύτητα.
- ▶ Ωστόσο, ο χρόνος χτυπήματος μπορεί να ποικίλει ανάλογα με διάφορους παράγοντες, όπως π.χ. περιεκτικότητα σε λιπαρά της κρέμας ή εξωτερική θερμοκρασία! Κατά το χτύπημα, παρατηρείτε την κρέμα και προσαρμόστε το χρόνο χτυπήματος στις ανάγκες σας.

## Καθαρισμός και φροντίδα

### ΠΡΟΕΙΔΟΠΟΙΗΣΗ! ΚΙΝΔΥΝΟΣ ΗΛΕΚΤΡΟΠΛΗΞΙΑΣ!

- ▶ Πριν από τον καθαρισμό της συσκευής, τραβάτε πάντα το βύσμα από την πρίζα.
-  Κατά τον καθαρισμό, δεν επιτρέπεται να βυθίζετε τη συσκευή στο νερό ή να την κρατάτε κάτω από τρεχούμενο νερό.

### ΠΡΟΕΙΔΟΠΟΙΗΣΗ! ΚΙΝΔΥΝΟΣ ΤΡΑΥΜΑΤΙΣΜΟΥ!

- ▶ Κίνδυνος τραυματισμού κατά το χειρισμό της υπερβολικά κοφτερής λεπίδας **7**. Συναρμολογείτε εκ νέου τη συσκευή μετά τη χρήση και τον καθαρισμό, ώστε να μην τραυματιστείτε από την κινούμενη λεπίδα **7**. Διατηρείτε τη λεπίδα **7** μακριά από τα παιδιά.

## ΠΡΟΣΟΧΗ! ΥΛΙΚΕΣ ΖΗΜΙΕΣ!

- ▶ Δεν επιτρέπεται να καθαρίζετε το μοτέρ ② στο πλυντήριο πιάτων, διότι έτσι θα καταστραφεί.
- Αποσυνδέστε το βύσμα.
- Καθαρίζετε το μοτέρ ② και το στήριγμα της λεπίδας ⑤ με τη λεπίδα ⑦ με ένα σφουγγάρι που έχετε στείψει καλά.
- Καθαρίζετε το μπολ ⑥, το εξάρτημα ανάδευσης ⑩, το καπάκι ④ και τη βάση στήριξης ⑨ με ζεστό νερό και ήπιο απορρυπαντικό. Ξεπλένετε όλα τα εξαρτήματα με καθαρό νερό και στεγνώνετε τα με ένα στεγνό πανί.



Εναλλακτικά, όλα τα εξαρτήματα, εκτός του μοτέρ ②, μπορούν να πλυθούν στο πλυντήριο πιάτων. Τοποθετείτε, εάν είναι δυνατό, τα εξαρτήματα στο επάνω καλάθι του πλυντηρίου πιάτων. Προσέχετε ώστε τα εξαρτήματα να μη μαγκώσουν.

## Διόρθωση σφαλμάτων

ΠΡΟΒΛΗΜΑ	ΠΙΘΑΝΗ ΑΙΤΙΑ	ΠΙΘΑΝΕΣ ΛΥΣΕΙΣ
Η συσκευή δε λειτουργεί.	Η συσκευή δεν είναι συνδεδεμένη σε πρίζα.	Συνδέστε τη συσκευή σε μια πρίζα.
	Η συσκευή παρουσιάζει βλάβη.	Απευθυνθείτε στο τμήμα σέρβις.
	Μια οικιακή ασφάλεια είναι ελαττωματική.	Ελέγξτε τις οικιακές ασφάλειες και αντικαταστήστε τις εφόσον απαιτείται.
	Η συσκευή είναι πιθανώς ελαττωματική.	Απευθυνθείτε στο τμήμα σέρβις.

Εάν οι βλάβες δε διορθώνονται με τις ανωτέρω αναφερόμενες προτάσεις αντιμετώπισης σφαλμάτων, ή εάν εξακριβώσετε άλλα είδη βλαβών, απευθυνθείτε στο τμήμα σέρβις μας.

## Παράρτημα

### Απόρριψη συσκευής



**Σε καμία περίπτωση μην απορρίπτετε τη συσκευή στα οικιακά απορρίμματα. Αυτό το προϊόν υπόκειται στην Ευρωπαϊκή Οδηγία 2012/19/ΕΥ.**

Απορρίπτετε τη συσκευή μέσω μιας εγκεκριμένης επιχείρησης απόρριψης ή μέσω της κοινοτικής επιχείρησης απόρριψης. Τηρείτε τις ισχύουσες προδιαγραφές. Σε περίπτωση αμφιβολιών, επικοινωνείτε με την αρμόδια επιχείρηση απόρριψης.



Για πληροφορίες σχετικά με τις δυνατότητες απόρριψης του προϊόντος που δεν χρησιμοποιείται πλέον, απευθυνθείτε στις αρμόδιες υπηρεσίες της κοινότητας ή του δήμου σας.

## Εγγύηση της Kompernass Handels GmbH

Αξιότιμη πελάτισσα, αξιότιμε πελάτη,

Η παρούσα συσκευή διαθέτει 3 χρόνια εγγύηση από την ημερομηνία αγοράς. Στην περίπτωση ελλείψεων στο προϊόν έχετε νομικά δικαιώματα έναντι του πωλητή του προϊόντος. Αυτά τα νομικά δικαιώματα δεν περιορίζονται μέσω της κατωτέρω αναφερόμενης εγγύησης.

### Προϋποθέσεις εγγύησης

Η περίοδος εγγύησης ξεκινά την ημερομηνία αγοράς. Φυλάσσετε την απόδειξη αγοράς. Απαιτείται ως αποδεικτικό αγοράς.

Εάν, εντός τριών ετών από την ημερομηνία αγοράς, παρατηρηθεί κάποιο σφάλμα υλικού ή κατασκευής στο προϊόν, θα επισκευάσουμε ή θα αντικαταστήσουμε (κατόπιν κρίσης μας) το προϊόν δωρεάν ή θα σας επιστραφεί το ποσό αγοράς. Η παρούσα εγγύηση προϋποθέτει ότι η ελαττωματική συσκευή και η απόδειξη αγοράς θα υποβληθούν μαζί με μια σύντομη περιγραφή αναφορικά με το πού βρίσκεται η έλλειψη και τότε παρατηρήθηκε, εντός της περιόδου των τριών ετών.

Εάν το ελάττωμα καλύπτεται από την εγγύησή μας, θα λάβετε το επισκευασμένο ή ένα νέο προϊόν.

### Περίοδος εγγύησης και νομικές απαιτήσεις λόγω ελλείψεων

Ο χρόνος εγγύησης δεν παρατείνεται μέσω της παροχής εγγύησης. Αυτό ισχύει και για εξαρτήματα, τα οποία έχουν αντικατασταθεί και επισκευαστεί. Ενδεχόμενες ήδη υπάρχουσες ζημιές και ελλείψεις κατά την αγορά πρέπει να γνωστοποιούνται αμέσως μετά την αποσυσκευασία. Μετά τη λήξη του χρόνου εγγύησης, τυχόν εμφανιζόμενες επισκευές χρεώνονται.

### Εύρος εγγύησης

Η συσκευή κατασκευάστηκε σύμφωνα με αυστηρές οδηγίες ποιότητας και ελέγχθηκε προσεκτικά πριν από την αποστολή.

Η εγγύηση ισχύει για σφάλματα υλικού ή κατασκευής. Η παρούσα εγγύηση δεν καλύπτει εξαρτήματα του προϊόντος που υπόκεινται σε φυσιολογική φθορά και, ως εκ τούτου, θεωρούνται αναλώσιμα εξαρτήματα ή ζημιές σε εύθραυστα εξαρτήματα, π.χ. διακόπτες, συσσωρευτές ή γυάλινα εξαρτήματα.

Η παρούσα εγγύηση ακυρώνεται εάν προκληθεί ζημιά στο προϊόν, εάν δεν γίνει σωστή χρήση ή συντήρηση. Για μια σωστή χρήση του προϊόντος πρέπει να τηρούνται επακριβώς οι αναφερόμενες υποδείξεις στις οδηγίες χειρισμού. Σκοποί χρήσης και χειρισμοί που δεν συνιστώνται ή για τους οποίους υπάρχει προειδοποίηση πρέπει απαραίτητα να αποφεύγονται.

Το προϊόν προορίζεται μόνο για ιδιωτική και όχι για επαγγελματική χρήση. Σε περίπτωση κακής μεταχείρισης και ακατάλληλης χρήσης, χρήσης βίας και παρεμβάσεων, οι οποίες δεν διεξήχθησαν από το εξουσιοδοτημένο μας τμήμα σέρβις, η εγγύηση παύει να ισχύει.

## Διαδικασία σε περίπτωση εγγύησης

Για την εξασφάλιση γρήγορης επεξεργασίας του ζητήματός σας, τηρείτε τις ακόλουθες υποδείξεις:

- Για όλες τις ερωτήσεις έχετε έτοιμη την απόδειξη αγοράς και τον κωδικό προϊόντος (π.χ. IAN 12345) ως απόδειξη για την αγορά.
- Για τον κωδικό προϊόντος, ανατρέξτε στην πινακίδα τύπου στο προϊόν, σε μια ετικέτα στο προϊόν, στο εξώφυλλο των οδηγιών χρήσης (κάτω αριστερά) ή σε ένα αυτοκόλλητο στην πίσω ή κάτω πλευρά του προϊόντος.
- Εάν προκύψουν σφάλματα λειτουργίας ή άλλες ελλείψεις, επικοινωνήστε κατ' αρχήν με το ακόλουθο αναφερόμενο τμήμα σέρβις **τηλεφωνικά ή με E-Mail**.
- Ένα προϊόν που θεωρείται ελαττωματικό μπορείτε να το αποστείλετε ατελώς στην αναφερόμενη διεύθυνση του σέρβις επισυνάπτοντας την απόδειξη αγοράς (απόδειξη ταμείου) και αναφέροντας που βρίσκεται η έλλειψη και πότε εμφανίστηκε.



Στην ιστοσελίδα [www.lidl-service.com](http://www.lidl-service.com) μπορείτε να πραγματοποιήσετε λήψη των παρόντων ή άλλων οδηγιών χρήσης, βίντεο προϊόντων και λογισμικού.

Με αυτόν τον κωδικό QR μεταβαίνετε απευθείας στη σελίδα εξυπηρέτησης Lidl ([www.lidl-service.com](http://www.lidl-service.com)) και εισαγάγοντας τον κωδικό προϊόντος (IAN) 123456 μπορείτε να ανοίξετε τις αντίστοιχες οδηγίες χρήσης.

## Σέρβις

**GR** Σέρβις Ελλάδα  
Tel.: 801 5000 019 (0,03 EUR/Min.)  
E-Mail: [kompnass@lidl.gr](mailto:kompnass@lidl.gr)

**CY** Σέρβις Κύπρος  
Tel.: 8009 4409  
E-Mail: [kompnass@lidl.com.cy](mailto:kompnass@lidl.com.cy)

IAN 326512\_1904

## Εισαγωγέας

Η ακόλουθη διεύθυνση δεν είναι διεύθυνση σέρβις. Επικοινωνήστε, κατ' αρχήν, με την αναφερόμενη υπηρεσία σέρβις.

KOMPERNASS HANDELS GMBH  
BURGSTRASSE 21  
44867 BOCHUM  
GERMANIA  
[www.kompnass.com](http://www.kompnass.com)

## Inhaltsverzeichnis

<b>Einleitung</b> .....	<b>30</b>
<b>Bestimmungsgemäße Verwendung</b> .....	<b>30</b>
<b>Lieferumfang</b> .....	<b>30</b>
<b>Auspacken</b> .....	<b>30</b>
Entsorgung der Verpackung .....	31
<b>Gerätebeschreibung</b> .....	<b>31</b>
<b>Technische Daten</b> .....	<b>32</b>
<b>Sicherheitshinweise</b> .....	<b>32</b>
<b>Bedienen</b> .....	<b>35</b>
Zerkleinern .....	35
Sahne schlagen .....	38
<b>Reinigung und Pflege</b> .....	<b>39</b>
<b>Fehlerbehebung</b> .....	<b>40</b>
<b>Anhang</b> .....	<b>40</b>
Gerät entsorgen .....	40
Garantie der Kompernaß Handels GmbH .....	41
Service .....	42
Importeur .....	42



Lesen Sie die Bedienungsanleitung vor der ersten Verwendung aufmerksam durch und heben Sie diese für den späteren Gebrauch auf. Händigen Sie bei Weitergabe des Gerätes an Dritte auch die Anleitung aus.



## Einleitung

Herzlichen Glückwunsch zum Kauf Ihres neuen Gerätes!

Sie haben sich damit für ein modernes und hochwertiges Produkt entschieden. Die Bedienungsanleitung ist Bestandteil dieses Produktes. Sie enthält wichtige Hinweise für Sicherheit, Gebrauch und Entsorgung. Machen Sie sich vor der Benutzung des Produkts mit allen Bedien- und Sicherheitshinweisen vertraut. Benutzen Sie dieses Produkt nur wie beschrieben und für die angegebenen Einsatzbereiche. Händigen Sie alle Unterlagen bei Weitergabe des Produkts an Dritte mit aus.

## Bestimmungsgemäße Verwendung

Dieses Gerät dient ausschließlich dem Zerkleinern von knochenlosen Lebensmitteln in kleinen Mengen oder dem Schlagen von Sahne. Dieses Gerät ist ausschließlich für die Benutzung im privaten Haushalt bestimmt.

Jede andere Verwendung gilt als nicht bestimmungsgemäß und kann zu Sachschäden oder sogar zu Personenschäden führen. Es werden keine Haftungen für Schäden, die durch nicht bestimmungsgemäßen Gebrauch entstehen, übernommen. Dieses Gerät ist nicht für den Betrieb in einem Unternehmen bzw. den gewerblichen Einsatz vorgesehen.

## Lieferumfang

Das Gerät wird standardmäßig mit folgenden Komponenten geliefert:

- Multizerkleinerer
- Messerhalter mit Messer
- Quirlaufsatz
- Standfuß
- Bedienungsanleitung

## Auspacken

- 1) Entnehmen Sie alle Teile des Gerätes und die Bedienungsanleitung aus dem Karton.
- 2) Entfernen Sie sämtliches Verpackungsmaterial vom Gerät.

### HINWEIS

- ▶ Prüfen Sie die Lieferung auf Vollständigkeit und auf sichtbare Schäden.
- ▶ Bei einer unvollständigen Lieferung oder Schäden infolge mangelhafter Verpackung oder durch Transport wenden Sie sich an die Service-Hotline (siehe Kapitel **Service**).

## Entsorgung der Verpackung

Die Verpackung schützt das Gerät vor Transportschäden. Die Verpackungsmaterialien sind nach umweltverträglichen und entsorgungstechnischen Gesichtspunkten ausgewählt und deshalb recyclebar.



Die Rückführung der Verpackung in den Materialkreislauf spart Rohstoffe und verringert das Abfallaufkommen. Entsorgen Sie nicht mehr benötigte Verpackungsmaterialien gemäß den örtlich geltenden Vorschriften.



Entsorgen Sie die Verpackung umweltgerecht.

Beachten Sie die Kennzeichnung auf den verschiedenen Verpackungsmaterialien und trennen Sie diese gegebenenfalls gesondert. Die Verpackungsmaterialien sind gekennzeichnet mit Abkürzungen (a) und Ziffern (b) mit folgender Bedeutung:

1 - 7: Kunststoffe,  
20 - 22: Papier und Pappe,  
80 - 98: Verbundstoffe.

### HINWEIS

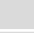


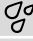

- Heben Sie, wenn möglich, die Originalverpackung während der Garantiezeit des Gerätes auf, um das Gerät im Garantiefall ordnungsgemäß verpacken zu können.

## Gerätebeschreibung

Abbildung A:

- 1 Turbo-Taste
- 2 Motorblock
- 3 Deckel-Bund
- 4 Deckel
- 5 Messerhalter
- 6 Schüssel
- 7 Messer
- 8 Lager
- 9 Standfuß
- 10 Quirlaufsatz

## Technische Daten

Netzspannung	220 - 240 V ~ (Wechselstrom) , 50 Hz
Nennleistung	260 W
Schutzklasse	II /  (Doppelisolierung)
KB-Zeit	1 Minute (mit Quirlaufsatz  )
Max. Einfüllmengen	Lebensmittel bis zur 300 ml-Markierung 
	Flüssigkeiten bis zur 200 ml-Markierung 
	Alle Teile dieses Gerätes, die mit Lebensmitteln in Berührung kommen, sind lebensmittelecht.

### KB-ZEIT


Die KB-Zeit (Kurzzeitbetrieb) gibt an, wie lange man ein Gerät betreiben kann, ohne dass der Motor überhitzt und Schaden nimmt. Nach der angegebenen KB-Zeit muss das Gerät solange ausgeschaltet werden, bis sich der Motor abgekühlt hat.

## Sicherheitshinweise

### STROMSCHLAGGEFAHR!

- ▶ Schließen Sie das Gerät nur an eine vorschriftsmäßig installierte Netzsteckdose mit einer Netzspannung von 220 - 240 V ~, mit 50 Hz an.
- ▶ Lassen Sie beschädigte Netzstecker oder Netzkabel sofort von autorisiertem Fachpersonal oder dem Kundenservice austauschen, um Gefährdungen zu vermeiden.
- ▶ Ziehen Sie bei Betriebsstörungen und bevor Sie das Gerät reinigen den Netzstecker aus der Netzsteckdose.
- ▶ Ziehen Sie das Netzkabel stets am Stecker aus der Netzsteckdose, ziehen Sie nicht am Kabel selbst.

## **STROMSCHLAGGEFAHR!**

- ▶ Knicken oder quetschen Sie das Netzkabel nicht und verlegen Sie das Netzkabel so, dass niemand darauf treten oder darüber stolpern kann.
  - ▶ Sie dürfen das Gerät keiner Feuchtigkeit aussetzen und nicht im Freien benutzen. Falls doch einmal Flüssigkeit in das Gerätegehäuse gelangt, ziehen Sie sofort den Netzstecker des Geräts aus der Netzsteckdose und lassen Sie es von qualifiziertem Fachpersonal reparieren.
  - ▶ Fassen Sie Gerät, Netzkabel und -stecker nie mit nassen Händen an.
  - ▶ Wenn das Netzkabel oder der Motorblock beschädigt sind, müssen Sie das Gerät von Fachpersonal reparieren lassen, bevor Sie es erneut verwenden. Sie dürfen das Motorblockgehäuse nicht öffnen. In diesem Falle ist die Sicherheit nicht gegeben und die Gewährleistung erlischt.
  - ▶ Trennen Sie das Gerät sofort nach dem Gebrauch vom Stromnetz. Nur wenn Sie den Netzstecker aus der Netzsteckdose ziehen, ist es vollständig stromfrei.
-  Sie dürfen den Motorblock keinesfalls in Flüssigkeit tauchen und keine Flüssigkeiten in das Gehäuse des Motorblocks gelangen lassen.

## **WARNUNG! VERLETZUNGSGEFAHR!**

- ▶ Vor dem Auswechseln von Zubehör oder Zusatzteilen, die im Betrieb bewegt werden, muss das Gerät ausgeschaltet und vom Netz getrennt werden.
- ▶ Missbrauchen Sie das Gerät nicht für andere Zwecke, als in dieser Anleitung beschrieben.
- ▶ Gehen Sie vorsichtig beim Leeren der Schüssel vor!  
Das Messer ist sehr scharf!

## **⚠️ WARNUNG! VERLETZUNGSGEFAHR!**

- ▶ Gehen Sie vorsichtig beim Reinigen des Gerätes vor!  
Das Messer ist sehr scharf!
- ▶ Das Gerät ist bei nicht vorhandener Aufsicht und vor dem Zusammenbau, dem Auseinandernehmen oder Reinigen, stets vom Netz zu trennen.
- ▶ Das Gerät darf nicht von Kindern benutzt werden.
- ▶ Das Gerät und seine Anschlussleitung sind von Kindern fernzuhalten.
- ▶ Dieses Gerät kann von Personen mit reduzierten physischen, sensorischen oder mentalen Fähigkeiten oder Mangel an Erfahrung und/oder Wissen benutzt werden, wenn sie beaufsichtigt oder bezüglich des sicheren Gebrauchs des Gerätes unterwiesen wurden und die daraus resultierenden Gefahren verstanden haben.
- ▶ Kinder dürfen nicht mit dem Gerät spielen.
- ▶ Kinder sollten beaufsichtigt werden, um sicherzustellen, dass sie nicht mit dem Gerät spielen.
- ▶ Beim Umgang mit dem extrem scharfen Messer besteht Verletzungsgefahr. Setzen Sie das Gerät nach Benutzung und Reinigung wieder zusammen, damit Sie sich nicht am freiliegenden Messer verletzen. Halten Sie das Messer für Kinder unzugänglich.
- ▶ Entnehmen Sie niemals die Lebensmittel aus der Schüssel, solange sich das Messer noch dreht. Verletzungsgefahr!
- ▶ Warten Sie, bis das Messer steht, bevor Sie den Motorblock abnehmen.
- ▶ Greifen Sie niemals in das noch rotierende Messer!  
Verletzungsgefahr!

## **⚠️ WARNUNG! BRANDGEFAHR!**

- ▶ Sie dürfen das Gerät nicht länger als 1 Minute laufen lassen. Lassen Sie es danach abkühlen.

## **ACHTUNG! GERÄTESCHÄDEN!**

- ▶ Beachten Sie die Tabelle über die Füllmengen im Kapitel "Zerkleinern". Andernfalls besteht Verschmutzungsgefahr durch herausquellendes Füllgut.
- ▶ Sie dürfen den Motorblock nicht in der Geschirrspülmaschine reinigen, dieser würde dadurch beschädigt.
- ▶ Füllen Sie keine heißen Flüssigkeiten in das Gerät! Ansonsten kann das Gerät beschädigt werden!

## **Bedienen**

### **Zerkleinern**

#### **HINWEIS**

- ▶ Vor der ersten Benutzung müssen Sie das Gerät entsprechend den Anweisungen im Reinigungskapitel gründlich reinigen.
- 1) Setzen Sie die Schüssel **6** in den Standfuß **9**.
  - 2) Stecken Sie den Messerhalter **5** mit dem Messer **7** auf das Lager **8**.
  - 3) Bereiten Sie das Füllgut vor, indem Sie große Stücke soweit zerkleinern (ca. 2 cm), dass diese in die Schüssel **6** passen.
  - 4) Geben Sie das Füllgut in die Schüssel **6**. Beachten Sie dabei folgende Tabelle:

<b>Lebensmittel</b>	<b>Füllmenge</b>	<b>Bearbeitungszeit</b>	<b>Geschwindigkeit</b>
Zwiebeln Knoblauch	100 g	pulsierend	turbo
Tomaten	200 g	10 Sek.	normal
Haselnüsse	200 g	3 x 8 Sek.	turbo
Mandeln	200 g	grob: 1 x 15 Sek. mittel: 2 x 15 Sek. fein: 3 x 15 Sek.	turbo

Lebensmittel	Füllmenge	Bearbeitungszeit	Geschwindigkeit
Käse (Gouda, jung, Kühlschrank- temperatur)	150 g	2 x 15 Sek.	turbo
Eier (hart gekocht)	3 Stück (150 g)	2 x 4 Sek.	turbo
Fleisch	200 g	4 x 12 Sek.	turbo
Eiswürfel	100 g	15 x 1 Sek. pulsierend	turbo

- 5) Verschließen Sie die Schüssel **6** mit dem Deckel **4**: Setzen Sie ihn so auf die Schüssel **6**, dass die Nasen am Deckel **4** in die Schienen an der Schüssel **6** greifen. Drehen Sie den Deckel **4** dann so, dass die Nasen in den Schienen nach unten gleiten.
  - 6) Setzen Sie den Motorblock **2** auf den Deckel-Bund **3**.
  - 7) Drücken Sie den Motorblock **2** nach unten, wie in der Abbildung B gezeigt. Der Motor startet mit der normalen Bearbeitungsgeschwindigkeit.
- Um eine höhere Bearbeitungsgeschwindigkeit „Turbo“ für das Füllgut zu erhalten, drücken Sie zusätzlich zum Motorblock **2** die Turbo-Taste **1** und halten Sie diese gedrückt, wie in der Abbildung C gezeigt.

## HINWEISE

- ▶ Sollten sich während der Bearbeitung größere Stücke des Füllguts an der Schüsselwand ansammeln, heben Sie den Motorblock **2** vom Deckel-Bund **3** ab. Schütteln Sie die Schüssel **6** kräftig durch und beginnen Sie anschließend mit der Bearbeitung von vorne. Entfernen Sie eventuelle Rückstände mit einem Teigschaber.
- ▶ Besonders harte Lebensmittel müssen vor der Bearbeitung in kleinere Stücke zerteilt werden (ca. 2 cm). Ansonsten kann der Motor blockieren. Wählen Sie eine pulsierende Bearbeitung bei harten Lebensmitteln. Drücken Sie hierzu mehrfach kurzzeitig die Turbo-Taste **1** (zusätzlich zum Motorblock **2**). Sollte das Füllgut nicht vollständig zerkleinert werden, können Sie es entweder in kleinere Stücke schneiden oder heben Sie den Motorblock **2** vom Deckel-Bund **3** ab. Schütteln Sie die Schüssel **6** kräftig durch und beginnen Sie anschließend mit der Bearbeitung von vorne.

- 8) Wenn das Füllgut zerkleinert worden ist, lassen Sie Motorblock **2** und gegebenenfalls die Turbo-Taste **1** los.
- 9) Ziehen Sie den Netzstecker.

## **⚠ WARNUNG! VERLETZUNGSGEFAHR!**

- ▶ Entnehmen Sie niemals die Lebensmittel aus der Schüssel **6**, solange sich das Messer **7** noch dreht. Es besteht Verletzungsgefahr und herausspritzender Inhalt könnte zu Verschmutzungen führen.

- 10) Warten Sie, bis das Messer **7** still steht.
- 11) Heben Sie den Motorblock **2** vom Deckel-Bund **3**.
- 12) Nehmen Sie den Deckel **4** ab.

## **⚠ WARNUNG! VERLETZUNGSGEFAHR!**

- ▶ Beim Umgang mit dem extrem scharfen Messer **7** besteht Verletzungsgefahr. Machen Sie das Messer **7** für Kinder unzugänglich.

- 13) Ziehen Sie den Messerhalter **5** mit dem Messer **7** vorsichtig aus der Schüssel **6**.
- 14) Entnehmen Sie das Füllgut.

## **HINWEISE**

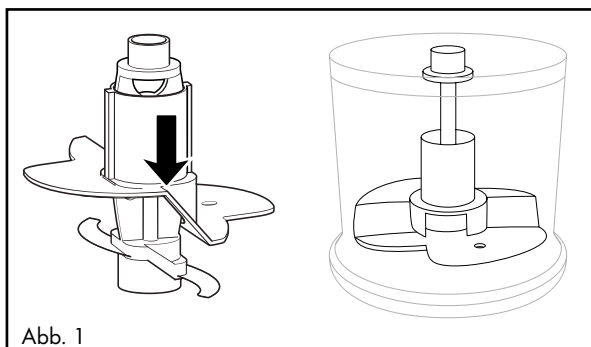
- ▶ Durch das Zerkleinern von härteren, reibenden Lebensmitteln kann die Schüssel **6** mit der Zeit ein trübes Aussehen bekommen. Dies ist normal und beeinträchtigt die Funktion des Gerätes nicht.
- ▶ Sie können den Standfuß **9**, nachdem Sie die Bearbeitung der Lebensmittel beendet haben, als Deckel für die Schüssel **6** verwenden, um die Lebensmittel länger frisch zu halten.
  - Nehmen Sie den Motorblock **2** und den Deckel **4** von der Schüssel **6** ab.
  - Der Messerhalter **5** mit dem Messer **7** kann, wenn Sie wünschen, in der Schüssel **6** verbleiben.
  - Lösen Sie den Standfuß **9** von der Unterseite der Schüssel **6**. Drehen Sie den Standfuß **9** um. Sie können den Standfuß **9** nun auf die Schüssel **6** setzen, so dass dieser die Schüssel **6** verschließt.



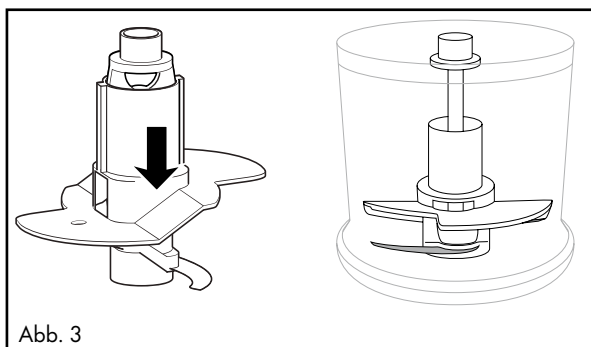
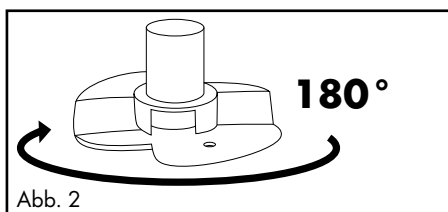
## Sahne schlagen

Mit dem Quirlaufsatz **10** können Sie mit diesem Gerät auch Sahne schlagen:

- 1) Setzen Sie die Schüssel **6** in den Standfuß **9**.
- 2) Schieben Sie den Quirlaufsatz **10** auf den Messerhalter **5**:
  - Für 100 ml Sahne stecken Sie ihn so auf den Messerhalter **5**, dass der Quirlaufsatz **10** auf beiden Messern **7** aufliegt und einrastet (Abb.1):



- Für 200 ml Sahne drehen Sie den Quirlaufsatz **10** horizontal um  $180^\circ$  (Abb.2), so dass dieser nur noch auf einem Messer **7** aufliegt und einrastet (Abb.3). Er pflügt dann höher durch die Sahne:




- 3) Stecken Sie den Messerhalter **5** mit dem Quirlaufsatz **10** auf das Lager **8**.
- 4) Füllen Sie die Sahne ein.
- 5) Verschließen Sie die Schüssel **6** mit dem Deckel **4**: Setzen Sie ihn so auf die Schüssel **6**, dass die Nasen am Deckel **4** in die Schienen an der Schüssel **6** greifen. Drehen Sie den Deckel **4** dann so, dass die Nasen in den Schienen nach unten gleiten.
- 6) Setzen Sie den Motorblock **2** auf den Deckel-Bund **3**.
- 7) Drücken Sie den Motorblock **2** nach unten, wie in der Abbildung B gezeigt. Der Motor startet mit der normalen Bearbeitungsgeschwindigkeit.

## HINWEIS

- ▶ Um Sahne zu schlagen, sollte diese vor dem Steifschlagen gut gekühlt sein (max. 8 °C/Kühlschranktemperatur).
- ▶ Wir empfehlen bei 100 ml Sahne eine Schlagzeit von ca. 30 Sekunden bei normaler Geschwindigkeit.
- ▶ Bei 200 ml Sahne empfehlen wir eine Schlagzeit von ca. 30 – 50 Sekunden bei normaler Geschwindigkeit.
- ▶ Bedingt durch verschiedene Einflüsse, wie z. B. Fettgehalt der Sahne oder die Außentemperatur, kann die Schlagzeit jedoch variieren! Beobachten Sie die Sahne während des Steifschlagens und passen Sie die Schlagzeit Ihren Bedürfnissen an.

## Reinigung und Pflege

### STROMSCHLAGGEFAHR!

- ▶ Bevor Sie das Gerät reinigen, ziehen Sie immer den Netzstecker aus der Netzsteckdose.
-  Sie dürfen das Gerät bei der Reinigung keinesfalls in Wasser tauchen oder unter fließendes Wasser halten.

### WARNUNG! VERLETZUNGSGEFAHR!

- ▶ Beim Umgang mit dem extrem scharfen Messer **7** besteht Verletzungsgefahr. Setzen Sie das Gerät nach Benutzung und Reinigung wieder zusammen, damit Sie sich nicht am freiliegenden Messer **7** verletzen. Machen Sie das Messer **7** für Kinder unzugänglich.

### ACHTUNG! SACHSCHADEN!

- ▶ Sie dürfen den Motorblock **2** nicht in der Geschirrpülmaschine reinigen, dieser würde dadurch beschädigt.
- Ziehen Sie den Netzstecker.

- Reinigen Sie den Motorblock **2** und den Messerhalter **5** mit dem Messer **7** mit einem gut ausgedrückten Schwamm.
- Reinigen Sie die Schüssel **6**, den Quirlaufsatz **10**, den Deckel **4** und den Standfuß **9** in warmem Wasser und geben Sie ein mildes Spülmittel hinzu. Spülen Sie alle Teile mit klarem Wasser ab und trocknen Sie diese mit einem Trockentuch.



Alternativ können alle Teile, bis auf den Motorblock **2**, in der Geschirrspülmaschine gereinigt werden. Legen Sie die Teile dabei, wenn möglich, in den oberen Korb der Spülmaschine. Achten Sie darauf, dass die Teile nicht eingeklemmt werden.

## Fehlerbehebung

PROBLEM	MÖGLICHE URSACHE	MÖGLICHE LÖSUNGEN
Das Gerät funktioniert nicht.	Das Gerät ist nicht mit einer Netzsteckdose verbunden.	Schließen Sie das Gerät an eine Netzsteckdose an.
	Das Gerät ist beschädigt.	Wenden Sie sich an den Service.
	Eine Haushaltssicherung ist defekt.	Überprüfen Sie die Haushaltssicherungen und erneuern Sie diese gegebenenfalls.
	Das Gerät ist möglicherweise defekt.	Wenden Sie sich an den Service.

Sollten sich die Störungen nicht mit oben stehenden Fehlerbehebungen beheben lassen oder, wenn Sie andere Arten von Störungen feststellen, wenden Sie sich bitte an unseren Service.

## Anhang

### Gerät entsorgen



**Werfen Sie das Gerät keinesfalls in den normalen Hausmüll. Dieses Produkt unterliegt der europäischen Richtlinie 2012/19/EU.**

Entsorgen Sie das Gerät über einen zugelassenen Entsorgungsbetrieb oder über Ihre kommunale Entsorgungseinrichtung. Beachten Sie die aktuell geltenden Vorschriften. Setzen Sie sich im Zweifelsfall mit Ihrer Entsorgungseinrichtung in Verbindung.



Möglichkeiten zur Entsorgung des ausgedienten Produkts erfahren Sie bei Ihrer Gemeinde- oder Stadtverwaltung.

## Garantie der Kompernaß Handels GmbH

Sehr geehrte Kundin, sehr geehrter Kunde,

Sie erhalten auf dieses Gerät 3 Jahre Garantie ab Kaufdatum. Im Falle von Mängeln dieses Produkts stehen Ihnen gegen den Verkäufer des Produkts gesetzliche Rechte zu. Diese gesetzlichen Rechte werden durch unsere im Folgenden dargestellte Garantie nicht eingeschränkt.

## Garantiebedingungen

Die Garantiefrist beginnt mit dem Kaufdatum. Bitte bewahren Sie den Kassenbonn gut auf. Dieser wird als Nachweis für den Kauf benötigt.

Tritt innerhalb von drei Jahren ab dem Kaufdatum dieses Produkts ein Material- oder Fabrikationsfehler auf, wird das Produkt von uns – nach unserer Wahl – für Sie kostenlos repariert, ersetzt, oder der Kaufpreis erstattet. Diese Garantieleistung setzt voraus, dass innerhalb der Dreijahresfrist das defekte Gerät und der Kaufbeleg (Kassenbonn) vorgelegt und schriftlich kurz beschrieben wird, worin der Mangel besteht und wann er aufgetreten ist.

Wenn der Defekt von unserer Garantie gedeckt ist, erhalten Sie das reparierte oder ein neues Produkt zurück. Mit Reparatur oder Austausch des Produkts beginnt kein neuer Garantiezeitraum.

## Garantiezeit und gesetzliche Mängelansprüche

Die Garantiezeit wird durch die Gewährleistung nicht verlängert. Dies gilt auch für ersetzte und reparierte Teile. Eventuell schon beim Kauf vorhandene Schäden und Mängel müssen sofort nach dem Auspacken gemeldet werden. Nach Ablauf der Garantiezeit anfallende Reparaturen sind kostenpflichtig.

## Garantieumfang

Das Gerät wurde nach strengen Qualitätsrichtlinien sorgfältig produziert und vor Auslieferung gewissenhaft geprüft.

Die Garantieleistung gilt für Material- oder Fabrikationsfehler. Diese Garantie erstreckt sich nicht auf Produktteile, die normaler Abnutzung ausgesetzt sind und daher als Verschleißteile angesehen werden können oder für Beschädigungen an zerbrechlichen Teilen, z. B. Schalter, Akkus oder Teile, die aus Glas gefertigt sind.

Diese Garantie verfällt, wenn das Produkt beschädigt, nicht sachgemäß benutzt oder gewartet wurde. Für eine sachgemäße Benutzung des Produkts sind alle in der Bedienungsanleitung aufgeführten Anweisungen genau einzuhalten. Verwendungszwecke und Handlungen, von denen in der Bedienungsanleitung abgeraten oder vor denen gewarnt wird, sind unbedingt zu vermeiden.

Das Produkt ist nur für den privaten und nicht für den gewerblichen Gebrauch bestimmt. Bei missbräuchlicher und unsachgemäßer Behandlung, Gewaltanwendung und bei Eingriffen, die nicht von unserer autorisierten Serviceniederlassung vorgenommen wurden, erlischt die Garantie.

## Abwicklung im Garantiefall

Um eine schnelle Bearbeitung Ihres Anliegens zu gewährleisten, folgen Sie bitte den folgenden Hinweisen:

- Bitte halten Sie für alle Anfragen den Kassensbon und die Artikelnummer (z. B. IAN 123456) als Nachweis für den Kauf bereit.
- Die Artikelnummer entnehmen Sie bitte dem Typenschild am Produkt, einer Gravur am Produkt, dem Titelblatt der Bedienungsanleitung (unten links) oder dem Aufkleber auf der Rück- oder Unterseite des Produktes.
- Sollten Funktionsfehler oder sonstige Mängel auftreten, kontaktieren Sie zunächst die nachfolgend benannte Serviceabteilung **telefonisch** oder per **E-Mail**.
- Ein als defekt erfasstes Produkt können Sie dann unter Beifügung des Kaufbelegs (Kassensbon) und der Angabe, worin der Mangel besteht und wann er aufgetreten ist, für Sie portofrei an die Ihnen mitgeteilte Serviceanschrift übersenden.



Auf [www.lidl-service.com](http://www.lidl-service.com) können Sie diese und viele weitere Handbücher, Produktvideos und Installationssoftware herunterladen.

Mit diesem QR-Code gelangen Sie direkt auf die Lidl-Service-Seite ([www.lidl-service.com](http://www.lidl-service.com)) und können mittels der Eingabe der Artikelnummer (IAN) 123456 Ihre Bedienungsanleitung öffnen.

## Service

### DE Service Deutschland

Tel.: 0800 5435 111 (kostenfrei aus dem dt. Festnetz/Mobilfunknetz)

E-Mail: [kompernass@lidl.de](mailto:kompernass@lidl.de)

### AT Service Österreich

Tel.: 0820 201 222 (0,15 EUR/Min.)

E-Mail: [kompernass@lidl.at](mailto:kompernass@lidl.at)

### CH Service Schweiz

Tel.: 0842 665566 (0,08 CHF/Min., Mobilfunk max. 0,40 CHF/Min.)

E-Mail: [kompernass@lidl.ch](mailto:kompernass@lidl.ch)

IAN 326512\_1904

## Importeur

Bitte beachten Sie, dass die folgende Anschrift keine Serviceanschrift ist. Kontaktieren Sie zunächst die benannte Servicestelle.

KOMPERNASS HANDELS GMBH

BURGSTRASSE 21

44867 BOCHUM

DEUTSCHLAND

[www.kompernass.com](http://www.kompernass.com)

**KOMPERNASS HANDELS GMBH**

BURGSTRASSE 21

44867 BOCHUM

GERMANY

[www.kompernass.com](http://www.kompernass.com)

Last Information Update · Έκδοση των πληροφοριών

Stand der Informationen:

06/2019 · Ident.-No.: SMZ26014-062019-1

---

IAN 326512\_1904