

SILVERCREST®



www.lidl-service.com



BLENDER SSM 600 B3

GB IE NI CY

BLENDER

Operating instructions

DE AT CH

STANDMIXER

Bedienungsanleitung

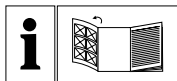
GR CY

ΜΠΛΕΝΤΕΡ

Οδηγίες χρήσης

IAN 315040

GB IE NI CY



GB IE NI CY

Before reading, unfold the page containing the illustrations and familiarise yourself with all functions of the device.

GR CY

Πριν ξεκινήσετε την ανάγνωση, ανοίξτε τη σελίδα με τις εικόνες και εξοικειωθείτε με όλες τις λειτουργίες της συσκευής.

DE AT CH

Klappen Sie vor dem Lesen die Seite mit den Abbildungen aus und machen Sie sich anschließend mit allen Funktionen des Gerätes vertraut.

GB/IE/NI/CY	Operating instructions	Page	1
GR/CY	Οδηγίες χρήσης	Σελίδα	19
DE/AT/CH	Bedienungsanleitung	Seite	37



Content

Introduction	2
Intended use	2
Package contents	2
Description of the appliance	3
Technical data	3
Safety instructions	4
Unpacking	6
Setting up	6
Operation	7
Fitting and filling the blender	7
Selecting the speed setting	8
Filling while in use	8
Removing the blender	9
Useful tips	9
Recipes	10
Banana shake	10
Vanilla shake	10
Cappucino shake	10
Tropical mix	10
Nut nougat shake	11
Carrot shake	11
Blackcurrant mix	11
Hawaii shake	11
Fruity pineapple and strawberry mix	12
Andalusian cold soup (gazpacho)	12
Cleaning	13
Cleaning the blender	13
Cleaning the motor block	15
After cleaning	15
Storage	15
Disposal	16
Kompernass Handels GmbH warranty	17
Service	18
Importer	18

Introduction

Congratulations on the purchase of your new appliance. You have selected a high-quality product. These operating instructions are a part of this product. They contain important information on safety, usage and disposal. Before using the product, familiarise yourself with all operating and safety instructions. Use the product only as described and only for the specified areas of application. In addition, pass these documents on, together with the product, to any future owner.

Intended use

This appliance is intended exclusively for...

- mixing, puréeing and stirring foods as well as crushing ice cubes,
- use exclusively in normal domestic amounts and only for private use in a domestic environment in dry rooms.

This appliance is not intended for...

- the chopping of hard foodstuffs, such as nuts, seeds, large kernels or stalks,
- the processing of materials that are not foodstuffs,
- commercial or industrial use,
- for use in damp environments or outdoors,
- processing hot/boiling liquids.

Use only the accessories and spare parts that are specified for this appliance. Other parts may not be adequately suitable or safe!

Package contents



After unpacking, check to ensure all items are available. The package contains:

- Motor block, with power cable and plug
- Blender
- Lid
- Measuring cap
- Operating instructions

Description of the appliance

- ❶ Measuring cap
- ❷ Lid
- ❸ Blender
- ❹ Cutting blades
- ❺ Switch
- ❻ Motor block
- ❼ Cable retainer
- ❽ Scale
- ❾ Rubber lid seal

Technical data

Nominal voltage	220 - 240 V ~ (alternating current), 50 - 60 Hz
Nominal power consumption	600 W
Max. capacity	1.75 litres
Protection Class	II /  (double insulation)
CO time	3 Minuten
	All of the parts of this appliance that come into contact with food are food-safe.

The CO time (continuous operation time) is the amount of time an appliance can be operated without the motor overheating and becoming damaged. When the specified CO time has been reached, the appliance must be switched off until the motor has cooled down to room temperature.

Safety instructions

DANGER! ELECTRIC SHOCK!

- ▶ Ensure that the appliance, the power cable and the power plug are never immersed in water or other liquids.
- ▶ Use the appliance only in dry rooms; never use it outdoors or in damp environments.
- ▶ Ensure that the power cable never becomes wet or damp during operation. Route the power cable in such a way that it cannot become trapped or damaged in any way.
- ▶ Arrange for defective power plugs and/or cables to be replaced as soon as possible by a qualified technician or by our Customer Service Department to avoid the risk of injury.
- ▶ Always remove the plug from the power socket after use. Switching off the appliance is not sufficient because the appliance receives power as long as the power plug is connected to the socket.
- ▶ Check to ensure that the appliance is in a serviceable condition before use. The appliance may not be used if it shows signs of damage, especially to the motor block or the blender attachment.
- ▶ Remove the plug from the socket immediately if you notice unexpected smells or noises coming from the appliance while it is in use or if there is an evident malfunction.

WARNING! RISK OF INJURY!

- ▶ NEVER insert your hand or fingers into the blender, especially when it is in use. The cutting blades are extremely sharp!
- ▶ DO NOT remove the lid when the appliance is in operation.
- ▶ To ensure you can react immediately in the event of danger, never leave the appliance running unattended.

⚠ WARNING! RISK OF INJURY!

- ▶ Do not insert cutlery items or mixing tools into the blender while the appliance is in use. There is a considerable risk of injury if these come into contact with the swiftly rotating cutting blades!
- ▶ Children should be supervised to ensure that they do not play with the appliance.
- ▶ Never use the appliance for purposes other than those described in these instructions.
- ▶ Risk of injury if appliance is misused.
- ▶ The appliance should always be disconnected from the mains when not supervised and before assembly, disassembly or cleaning.
- ▶ This appliance is not to be used by children.
- ▶ The appliance and its mains cable must be kept away from children.
- ▶ This appliance can be used by persons with reduced physical, sensory or mental capabilities or lack of experience and knowledge if they have been given supervision or instruction concerning safe use of the appliance, and if they are aware of the potential risks.
- ▶ Do not allow children to play with the appliance.
- ▶ Be careful when handling the appliance. The cutting blades are extremely sharp!
- ▶ Take care when emptying the blender! The cutting blades are extremely sharp!
- ▶ Take care when cleaning the appliance! The cutting blades are extremely sharp!
- ▶ Switch the appliance off and disconnect the plug from the power supply before changing accessories or getting hold of parts that move during operation.

⚠ WARNING! RISK OF INJURY!

- ▶ Always make sure that the blender is switched off before removing the jug from the motor block!
- ▶ Use the blender only with the supplied motor block!

CAUTION! MATERIAL DAMAGE!

- ▶ Do not use the appliance in direct sunlight or near any heatgenerating appliances.
- ▶ NEVER fill the blender with boiling liquids or other foods! Allow these to cool to a lukewarm temperature.
- ▶ NEVER operate the appliance when it is empty, i.e. without ingredients in the blender attachment.

Unpacking

- Remove all packaging materials or protective films from the appliance. Retain the packaging, so that you can store the appliance safely or send it by post, e.g. if it needs to be repaired.
- Before using the appliance, check that it is free of damage; check also that the power cable and plug as well as all accessories and appliance parts are undamaged.
- Clean all components carefully before using the appliance for the first time (see "Cleaning").

Setting up

Once all components have been cleaned as described in the section "Cleaning":

- Position the appliance so that, ...
 - that the mains cable passes through the recess at the rear of the appliance,
 - the power plug is immediately accessible, so that it can be quickly withdrawn in the event of danger,
 - that it is stable and not liable to slip, and so that the sucker feet can attach firmly and the appliance cannot tip over due to vibration,
 - that the mains cable is not in the working area and thus does not present a risk of being inadvertently snagged and tipping the appliance over.

Operation




⚠ WARNING!

- ▶ The motor switches off automatically as soon as the blender **3** is removed from the motor block **6** or the lid **2** is opened. In such cases it may be easy to forget that the machine is still switched on. The motor will then start unexpectedly as soon as the blender attachment **3** is fitted or the lid **2** is closed again:

Therefore:

- Do not insert the power plug into the wall socket until the blender **3** is filled and mounted with its lid fitted and closed.
- Before fitting the blender, always check to see that the appliance is switched off or that the power plug has been removed.
- Switch the appliance off first, pull the plug out and wait until the motor has come to a standstill before removing the blender **3** or opening the lid **2**.

Fitting and filling the blender

- 1) Rotate the blender **3** anticlockwise until the arrow ▼ under the blender handle is located above the  position. Remove the blender **3** from the motor block **6** in a vertical, upward motion.
- 2) Remove the lid **2** by rotating it anticlockwise towards position  (see Fig 1) until you can pull it upwards.
- 3) Fill the blender **3**.
- 4) Press the lid **2** firmly down onto the blender **3**. Close the lid **2** by turning it clockwise to position  until it audibly engages (see Fig. 2). Ensure that the pouring spout on the blender **3** is closed. The motor cannot start until the lid **2** is fitted flush.

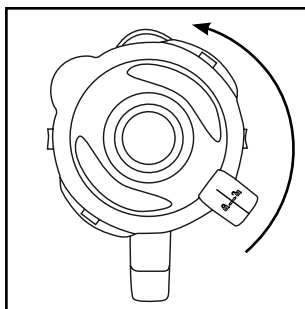


Fig. 1

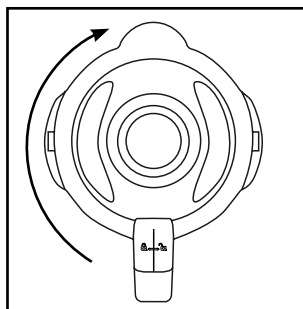




Fig. 2

- 5) Press the measuring cap **1** into the lid as far as the stop.

- 6) Place the filled and closed blender **3** on the motor block **6**. To do this, use the recesses on the motor block **6** and ensure that the arrow ▼ on the blender is pointing to the  symbol while doing so. Turn the blender **3** clockwise to position  until it audibly engages. The motor cannot start until the blender **3** is fitted flush.

Selecting the speed setting

Once the blender **3** is filled and sitting completely closed on the motor block **6**, you can switch on the appliance.

Set the switch **5** to ...

- **Level 1 – 3**
for liquids or soft foodstuffs, for mixing, blending and stirring
- **Level 3 – 5**
for more solid foods or for chopping
- **Level Ice Crush/Clean**
for short, powerful impulse operation, e.g. for crushing ice cubes or when cleaning. To prevent overloading the motor, the switch **5** does not lock in this position. Therefore, hold the switch **5** in this position for short periods only.

NOTE

- ▶ Fill the blender **3** with a maximum of 180 g of ice cubes. Otherwise, the ice cubes will not be crushed optimally.

Filling while in use

WARNING!

- ▶ If you want to add additional foods during operation, use only the measuring cap **1** provided for this purpose. Do NOT open the lid **2**.
- ▶ Do not insert cutlery items or mixing tools into the blender **3** while the appliance is in use. There is a considerable risk of injury if these come into contact with the swiftly rotating cutting blades **4**!

To add more food while the appliance is in use, ...

- 1) Remove the measuring cap **1** from the lid **2**.
- 2) Add the ingredients.
- 3) Press the measuring cap **1** back into the lid.

Removing the blender

Once you have finished processing the food in the attachment:

- 1) Always start by setting switch ❸ to the off position ("0") and pulling out the mains plug.
- 2) Wait until the motor has come to a complete standstill before lifting the blender ❸ off the motor block ❹. Rotate the blender ❸ anticlockwise until the arrow ▼ under the blender handle is located above the ↻ position. Remove the blender ❸ from the motor block ❹ in a vertical, upward motion.

Useful tips

- To achieve the best results when puréeing firm ingredients, add small amounts one after the other into the blender ❸ rather than a single large portion.
- When processing firm ingredients, cut them into small pieces (2 - 3 cm).
- When mixing liquid ingredients, start off with a small amount of liquid. Gradually add more liquids to the mixture through the measuring cap.
- The appliance can be stabilised by placing your hand on top of the closed blender during operation.
- When stirring firm or very viscous foods, it can be helpful to use the level Ice Crush/Clean to avoid a blocking of the cutting blades ❷.

NOTE

- ▶ Do not use the appliance to grind crystals of cooking salt, refined sugar or white sugar. For example, to make powdered sugar.

Recipes

Banana shake

- 2 bananas
- approx. 2 tbsp. sugar
(depending on the ripeness of the bananas and personal taste)
- ½ l milk
- 1 dash of lemon juice

Peel the bananas and liquidise them at level 2. Gradually add the milk, then the sugar and the lemon juice. Keep mixing everything until you have a smooth and uniform liquid. Serve the shake chilled.

Vanilla shake

- ¼ l milk
- 250 g vanilla ice cream
- 125 g ice cubes
- 1½ tsp. sugar

Crush the ice cubes using the level Ice Crush/Clean. Place the remaining ingredients into the mixer. Mix everything at Level 2 until the liquid has a smooth consistency.

Cappucino shake

- 65 ml cold espresso (or a very strong coffee)
- 65 ml milk
- 15 g sugar
- 65 g vanilla ice cream
- 100 g ice cubes

Crush the ice cubes using the level Ice Crush/Clean. Add the espresso, milk and sugar. Mix everything together at level 2 until the sugar has dissolved. Finally, add the vanilla ice cream and then briefly mix everything together at level 1.

Tropical mix

- 125 ml pineapple juice
- 60 ml papaya juice
- 50 ml orange juice
- ½ small tin of peaches with juice
- 125 g ice cubes

Crush the ice cubes using the level Ice Crush/Clean. Place all ingredients into the mixer and blend them together at level 3.

Nut nougat shake

- ½ l milk
- 200 g nut nougat spread
- 1 scoop of vanilla ice cream
- 50 ml cream

Add all the ingredients to the blender and mix at level 3 until everything is evenly blended together.

Carrot shake

- 300 ml apple juice
- 500 ml carrot juice
- 4 tbsp. cooking oil (wheatgerm oil or rapeseed oil)
- 4 tbsp. of lemon juice
- Powdered ginger
- Pepper

Add the apple juice, cooking oil and lemon juice into the blender and mix everything together at level 2. Then add the carrot juice and mix everything together at level 2. To finish, add the powdered ginger and pepper to taste.

Blackcurrant mix

- 2 tsp. honey
- 2 bananas
- ¼ l buttermilk
- ¼ l blackcurrant juice

Place all ingredients into the mixer and blend them together at level 3.

Hawaii shake

- 4 bananas
- ¼ l pineapple juice
- ½ l milk
- 2 tbsp. honey
- ¼ l rum

Peel the bananas and liquidise them at level 2. Then add the other ingredients and mix everything together at level 1.

Fruity pineapple and strawberry mix

- 250 ml pineapple juice
- 200 g strawberries
- 300 ml apple juice
- 4 ice cubes

Wash the strawberries and remove the green parts. Crush the ice cubes using the level Ice Crush/Clean. Liquidise them at level 2. Then add the other ingredients and mix everything together at level 1.

Andalusian cold soup (gazpacho)

- ½ cucumber
- 1 large tomato
- 1 green pepper
- ½ onion
- 1 garlic clove
- ½ white bread roll
- ½ tsp. salt
- 1 tsp. red wine vinegar
- 1 tbsp. olive oil

Cut the vegetables into pieces approx. 2 cm in size. Start by adding the first the tomatoes and then the cucumber to the blender. Liquidise them at level 3. Add the remaining ingredients and then liquidise/blend them all together at level 3 until a smooth soup is created. Serve the soup with bread.

NOTE

- ▶ These recipes are provided subject to change. All ingredients and preparation information are guiding values. Adapt these recipe suggestions based on your personal experience.

NOTE

- ▶ In cases of lactose intolerance, we recommend you use a lactose-free milk. Keep in mind, however, that lactose-free milk is a little sweeter.

Cleaning

DANGER! ELECTRIC SHOCK!

Before starting to clean the blender and its components:

- ▶ Ensure that the motor is switched off and the power plug removed from the socket.



Do not immerse the motor block **6** in water or other liquids. This could result in you receiving a fatal electric shock and cause damage to the appliance.

- ▶ Never open the housing of the appliance. Otherwise, there is a risk of a fatal electric shock.

WARNING! RISK OF INJURY!

- ▶ Never disassemble the cutting blades **4** and never reach into the blender **3**. The cutting blades **4** are extremely sharp!

CAUTION! PROPERTY DAMAGE!

- ▶ Do not use solvents or abrasive cleaners on the plastic surfaces, they could be damaged by them.

Cleaning the blender

- To prevent injuring yourself on the cutting blades **4**, clean the blender **3** only with a long-handled washing-up brush.
- Clean the measuring cap **1** and the lid **2** in mild soap solution. Ensure that the rubber seal **9** is correctly fitted before using the lid **2** again.

NOTE



You can also clean the lid **2**, the measuring cap **1** and the blender **3** with the cutting blade **4** in your dishwasher.

- If you clean the blender directly after use, you can often achieve a satisfactory and hygienic level of cleaning by doing the following: Fill the blender **3** with 750 ml of water and add a few drops of mild detergent. Close the lid **2** and fit the blender **3** onto the motor block **6**. Insert the plug into a mains power socket and activate the Ice Crush/Clean operation a few times, so that the cutting blades **4** churn through the water at full speed. Afterwards, rinse out the blender **3** with lots of clean water to ensure that all detergent residues have been removed.

- To remove stubborn dirt, you can remove the lower plastic part of the blender **3** with the cutting blade **4** from the upper plastic part of the blender **3**:

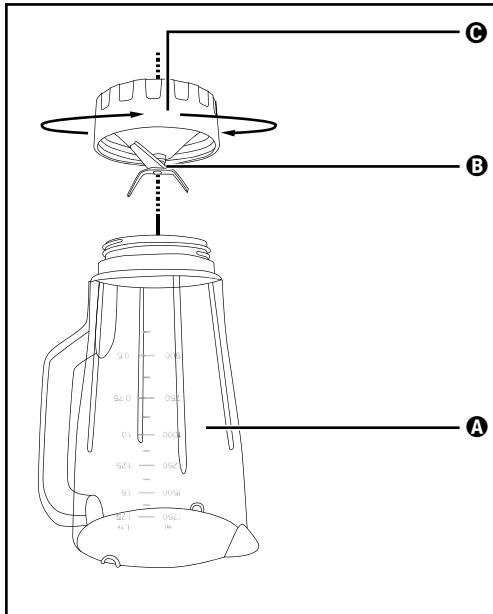



Fig. 3

- A** upper plastic part
- B** blade
- C** lower plastic part

- 1) Remove the blender **3** from the motor block **6**. To ensure improved stability, remove the lid **2** by rotating it anticlockwise towards position  (see Fig 1) until you can pull it upwards.
- 2) Turn the appliance upside down and turn the lower plastic part **C** of the blender **3** anticlockwise so that it can be removed from the upper plastic part **A** of the blender **3** (see fig. 3).

⚠ WARNING! RISK OF INJURY!

- Always handle the blades **B** carefully. They are very sharp.
Risk of injury!

- 3) Clean both parts thoroughly in a mild soap solution.

NOTE



You can also clean the upper plastic part **A** of the blender **3** and the cutting blade **4** with the lower plastic part **G** in your dishwasher.

- 4) Dry all parts thoroughly before reassembling them.
- 5) Re-attach the lower plastic part **G** of the blender **3** to the upper plastic part **A** of the blender **3** and turn it clockwise.

Cleaning the motor block

- 1) Use a dry or no more than slightly moistened cloth to clean the plastic surfaces.
- 2) When cleaning, always check that the contact switch in the fitting for the blender **3** is not blocked by soiling residues. If you cannot dislodge any blockages with the corner of a piece of paper, make contact with Customer Services. Do not use any hard objects, these could damage the contact switch.
- 3) Remove any possible residues on the underside of the motor block **6** with a dry cloth or a stiff-bristled brush only. Ensure that nothing can get in through the ventilation openings of the appliance.

After cleaning

Allow all parts to dry well before reassembling and reusing the liquidiser.

Storage

- 1) If you do not intend to use the blender for an extended period, clean it thoroughly (see chapter "Cleaning").
- 2) Wrap the power cable around the cable retainer **7** on the base of the motor block **6**.
- 3) Store the blender in a cool and dry location.

Disposal

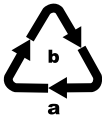


Do not dispose of the appliance in your normal domestic waste. This product is subject to the provisions of European Directive 2012/19/EU.

Dispose of the appliance via an approved waste disposal company or your municipal waste disposal facility. Please comply with all applicable regulations. Please contact your waste disposal facility if you are in any doubt.



Your local community or municipal authorities can provide information on how to dispose of the worn-out product.



Note the labelling on the packaging and separate the packaging material components for disposal if necessary. The packaging material is labelled with abbreviations (a) and numbers (b) with the following meanings:

- 1-7: Plastics,
- 20-22: Paper and cardboard,
- 80-98: Composites.



The packaging is made from environmentally friendly material and can be disposed of at your local recycling plant.

Kompernass Handels GmbH warranty

Dear Customer,

This appliance has a 3-year warranty valid from the date of purchase. If this product has any faults, you, the buyer, have certain statutory rights. Your statutory rights are not restricted in any way by the warranty described below.

Warranty conditions

The validity period of the warranty starts from the date of purchase. Please keep your original receipt in a safe place. This document will be required as proof of purchase.

If any material or production fault occurs within three years of the date of purchase of the product, we will either repair or replace the product for you at our discretion. This warranty service is dependent on you presenting the defective appliance and the proof of purchase (receipt) and a short written description of the fault and its time of occurrence.

If the defect is covered by the warranty, your product will either be repaired or replaced by us. The repair or replacement of a product does not signify the beginning of a new warranty period.

Warranty period and statutory claims for defects

The warranty period is not prolonged by repairs effected under the warranty. This also applies to replaced and repaired components. Any damage and defects present at the time of purchase must be reported immediately after unpacking. Repairs carried out after expiry of the warranty period shall be subject to a fee.

Scope of the warranty

This appliance has been manufactured in accordance with strict quality guidelines and inspected meticulously prior to delivery.

The warranty covers material faults or production faults. The warranty does not extend to product parts subject to normal wear and tear or fragile parts such as switches, batteries, baking moulds or parts made of glass.

The warranty does not apply if the product has been damaged, improperly used or improperly maintained. The directions in the operating instructions for the product regarding proper use of the product are to be strictly followed. Uses and actions that are discouraged in the operating instructions or which are warned against must be avoided.

This product is intended solely for private use and not for commercial purposes. The warranty shall be deemed void in cases of misuse or improper handling, use of force and modifications / repairs which have not been carried out by one of our authorised Service centres.

Warranty claim procedure

To ensure quick processing of your case, please observe the following instructions:

- Please have the till receipt and the item number (e.g. IAN 12345) available as proof of purchase.
- You will find the item number on the type plate, an engraving on the front page of the instructions (bottom left), or as a sticker on the rear or bottom of the appliance.
- If functional or other defects occur, please contact the service department listed either by **telephone** or by **e-mail**.
- You can return a defective product to us free of charge to the service address that will be provided to you. Ensure that you enclose the proof of purchase (till receipt) and information about what the defect is and when it occurred.



You can download these instructions along with many other manuals, product videos and software on www.lidl-service.com.

Service

GB Service Great Britain

Tel.: 0800 404 7657

E-Mail: kompernass@lidl.co.uk

IE Service Ireland

Tel.: 1890 930 034

(0,08 EUR/Min., (peak))

(0,06 EUR/Min., (off peak))

E-Mail: kompernass@lidl.ie

CY Service Cyprus

Tel.: 8009 4409

E-Mail: kompernass@lidl.com.cy

IAN 315040

Importer

Please note that the following address is not the service address. Please use the service address provided in the operating instructions.

KOMPERNASS HANDELS GMBH

BURGSTRASSE 21

DE-44867 BOCHUM

GERMANY

www.kompernass.com

Περιεχόμενα

Εισαγωγή	20
Χρήση σύμφωνα με τους κανονισμούς	20
Σύνολο αποστολής	20
Περιγραφή συσκευής	21
Τεχνικές πληροφορίες	21
Υποδείξεις ασφαλείας	22
Αποσυσκευασία	24
Τοποθέτηση	24
Χειρισμός	25
Πλήρωση και τοποθέτηση εξαρτήματος ανάμειξης	25
Επιλογή βαθμίδας ταχύτητας	26
Γέμισμα κατά τη λειτουργία	26
Αφαίρεση εξαρτήματος ανάμειξης	27
Χρήσιμες υποδείξεις	27
Συνταγές	28
Μιλκ-σέϊκ μπανάνα	28
Μιλκ-σέϊκ βανίλια	28
Μιλκ-σέϊκ καπουτσίνο	28
Τροπικό μίγμα	28
Μιλκ-σέϊκ καρύδια - νουγκά	29
Μιλκ-σέϊκ καρότο	29
Μιλκ-σέϊκ φραγκοστάφυλο	29
Μιλκ-σέϊκ Χαβάη	29
Φρουτώδες μίγμα ανανά - φράουλας	30
Κρύα σούπα της Ανδαλουσίας (Γκασπάτσο)	30
Καθαρισμός	31
Καθαρισμός εξαρτήματος ανάμειξης	31
Καθαρισμός μονάδας μοτέρ	33
Μετά τον καθαρισμό	33
Φύλαξη	33
Απομάκρυνση	34
Εγγύηση της Kompernass Handels GmbH	35
Σέρβις	36
Εισαγωγέας	36

Εισαγωγή

Συγχαρητήρια για την αγορά της νέας σας συσκευής. Αποφασίσατε έτσι την απόκτηση ενός προϊόντος υψηλής ποιότητας. Οι οδηγίες χειρισμού είναι τμήμα αυτού του προϊόντος. Περιέχουν σημαντικές υποδείξεις για την ασφάλεια, τη χρήση και την απόρριψη. Πριν από τη χρήση του προϊόντος εξοικειωθείτε με όλες τις υποδείξεις χειρισμού και ασφάλειας. Χρησιμοποιείτε το προϊόν μόνο όπως περιγράφεται και για τα αναφερόμενα πεδία χρήσης. Σε περίπτωση παράδοσης του προϊόντος σε τρίτους, παραδίδετε και όλα τα έγγραφα.

Χρήση σύμφωνα με τους κανονισμούς

Αυτή η συσκευή προορίζεται αποκλειστικά για ...

- την ανάδευση, πολτοποίηση και ανάμειξη τροφίμων, καθώς και για τον θρυμματισμό πάγου,
- αποκλειστικά για οικιακές ποσότητες και μόνο για την ιδιωτική οικιακή χρήση σε στεγνούς χώρους.

Αυτή η συσκευή δεν προορίζεται για ...

- το κομμάτισμα σκληρών τροφίμων όπως π.χ. ξηροί καρποί, κουκούτσια, μεγάλοι σπόροι ή κοτσάνια,
- επεξεργασία υλικών τα οποία δεν είναι τρόφιμα,
- τη χρήση για επαγγελματικούς ή βιομηχανικούς σκοπούς,
- τη χρήση σε υγρό περιβάλλον ή σε εξωτερικό χώρο,
- την επεξεργασία καυτών υγρών/υγρών που βράζουν.

Χρησιμοποιείτε μόνο αξεσουάρ ή ανταλλακτικά τα οποία προορίζονται για αυτή τη συσκευή. Άλλα εξαρτήματα είναι πιθανώς ανεπαρκή ή επισφαλή!

Σύνολο αποστολής

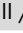

Ελέγχετε μετά την αποσυσκευασία την αποστολή για την πληρότητά της. Στο σύνολο αποστολής περιλαμβάνονται:

- Μονάδα μοτέρ με καλώδιο δικτύου και βύσμα
- Εξάρτημα ανάμειξης
- Καπάκι
- Καπάκι τροφοδοσίας
- Οδηγία χρήσεως

Περιγραφή συσκευής

- 1 Καπάκι τροφοδοσίας
- 2 Καπάκι
- 3 Εξάρτημα ανάμειξης
- 4 Λεπίδα κοπής
- 5 Διακόπτης
- 6 Μονάδα μοτέρ
- 7 Τύλιξη καλωδίου
- 8 Διαβάθμιση
- 9 Στεγανοποιητικό λάστιχο καπακιού

Τεχνικές πληροφορίες

Όνομαστική τάση	220 - 240 V ~ (εναλλασσόμενο ρεύμα), 50 - 60 Hz
Όνομαστική απόδοση	600 W
Μέγ. ποσότητα πλήρωσης	1,75 λίτρα
Κατηγορία προστασίας	II /  (διπλή θωράκιση)
Χρόνος KB (σύντομης λειτουργίας)	3 λεπτά
	Όλα τα εξαρτήματα αυτής της συσκευής που έρχονται σε επαφή με τρόφιμα μπορούν να χρησιμοποιούνται με ασφάλεια στα τρόφιμα.

Ο χρόνος σύντομης λειτουργίας δείχνει για πόσο χρόνο μπορεί κανείς να λειτουργεί μια συσκευή χωρίς να υπερθερμανθεί το μοτέρ και χωρίς να πάθει βλάβες. Μετά τον δοθέντα χρόνο KB (σύντομος χρόνος λειτουργίας) πρέπει η συσκευή να απενεργοποιηθεί τόσο έως ότου το μοτέρ φτάσει σε θερμοκρασία δωματίου.

Υποδείξεις ασφαλείας

⚠ ΚΙΝΔΥΝΟΣ! ΗΛΕΚΤΡΟΠΛΗΞΙΑ!

- ▶ Βεβαιώνετε ότι η μονάδα μοτέρ, το καλώδιο δικτύου ή το βύσμα δεν βυθίζονται ποτέ σε νερό ή σε άλλα υγρά.
- ▶ Χρησιμοποιείτε τη συσκευή αποκλειστικά σε στεγνούς χώρους, ποτέ σε εξωτερικό χώρο ή σε υγρό περιβάλλον.
- ▶ Να προσέχετε το καλώδιο τροφοδοσίας να μην βρέχεται ή υγραίνεται ποτέ κατά τη διάρκεια λειτουργίας. Να το τοποθετείτε έτσι, ώστε να μην υφίσταται περίπτωση να μαγκωθεί ή να υποστεί άλλου είδους ζημιά.
- ▶ Τα βύσματα ή καλώδια δικτύου με βλάβη πρέπει να αντικαθίστανται αμέσως από εξουσιοδοτημένο ειδικό προσωπικό ή από το τμήμα εξυπηρέτησης πελατών, ώστε να αποφεύγονται κίνδυνοι.
- ▶ Τραβάτε πάντα μετά τη χρήση το βύσμα από την πρίζα. Η απενεργοποίηση δεν αρκεί διότι υπάρχει ακόμα τάση στη συσκευή, όσο το βύσμα βρίσκεται στην υποδοχή.
- ▶ Πριν από κάθε χρήση ελέγχετε τη συσκευή για την άψογη της κατάσταση. Η συσκευή δεν επιτρέπεται να χρησιμοποιείται εάν υπάρχουν ορατές ζημιές κυρίως στο μοτέρ ή στο εξάρτημα ανάμειξης.
- ▶ Τραβήξτε αμέσως το βύσμα δικτύου από την πρίζα όταν αντιλαμβάνετε ασυνήθιστους θορύβους ή οσμές ή σε περίπτωση εμφανούς δυσλειτουργίας.

⚠ ΠΡΟΕΙΔΟΠΟΙΗΣΗ! ΚΙΝΔΥΝΟΣ ΤΡΑΥΜΑΤΙΣΜΟΥ!

- ▶ Ποτέ μην πιάνετε στο εξάρτημα ανάμειξης, κυρίως όχι εν λειτουργία. Οι λεπίδες είναι εξαιρετικά αιχμηρές!
- ▶ Μην ανοίγετε το κάλυμμα όταν η συσκευή είναι εν λειτουργία.
- ▶ Όταν η συσκευή λειτουργεί μην την αφήνετε ανεπιτήρητη, ώστε να μπορείτε να αντιδράσετε αμέσως σε περίπτωση κινδύνου.

⚠ ΠΡΟΕΙΔΟΠΟΙΗΣΗ! ΚΙΝΔΥΝΟΣ ΤΡΑΥΜΑΤΙΣΜΟΥ!

- ▶ Ποτέ μην εισάγετε μέσα στο εξάρτημα ανάμειξης τμήματα από μαχαιροπίρουνα ή εξαρτήματα ανάμειξης, όσο η συσκευή είναι σε λειτουργία. Υπάρχει αυξημένος κίνδυνος τραυματισμού όταν αυτά αγγίζουν τη λεπίδα που γυρνάει πολύ γρήγορα!
- ▶ Τα παιδιά πρέπει να επιτηρούνται ώστε να εξασφαλίζεται ότι δεν παίζουν με τη συσκευή.
- ▶ Μη χρησιμοποιείτε τη συσκευή για άλλους σκοπούς από τους περιγραφόμενους στις παρούσες οδηγίες.
- ▶ Σε περίπτωση εσφαλμένης χρήσης της συσκευής υφίσταται κίνδυνος τραυματισμού.
- ▶ Η συσκευή πρέπει να αποσυνδέεται πάντα από το δίκτυο όταν δεν επιτηρείται και πριν από τη συναρμολόγηση, την αποσυναρμολόγηση ή τον καθαρισμό.
- ▶ Η συσκευή δεν επιτρέπεται να χρησιμοποιείται από παιδιά.
- ▶ Η συσκευή και το καλώδιο σύνδεσής της πρέπει να φυλάσσονται μακριά από παιδιά.
- ▶ Μπορεί να γίνεται χρήση αυτής της συσκευής από άτομα με μειωμένες φυσικές, αισθητηριακές ή νοητικές ικανότητες ή με έλλειψη εμπειρίας και/ή γνώσεων, εφόσον επιτηρούνται ή έχουν εκπαιδευτεί αναφορικά με την ασφαλή χρήση της συσκευής και έχουν κατανοήσει τους επακόλουθους κινδύνους.
- ▶ Τα παιδιά δεν επιτρέπεται να παίζουν με τη συσκευή.
- ▶ Να είστε προσεκτικοί κατά το χειρισμό της συσκευής. Οι λεπίδες είναι πολύ αιχμηρές!
- ▶ Να είστε προσεκτικοί κατά το άδειασμα του προσαρτήματος ανάμειξης! Οι λεπίδες είναι πολύ αιχμηρές!
- ▶ Να είστε προσεκτικοί κατά τον καθαρισμό της συσκευής! Οι λεπίδες είναι πολύ αιχμηρές!
- ▶ Απενεργοποιήστε τη συσκευή και αποσυνδέστε το βύσμα, προτού αλλάξετε εξαρτήματα ή πιάσετε μέρη που κινούνται κατά τη διάρκεια λειτουργίας.

⚠ ΠΡΟΕΙΔΟΠΟΙΗΣΗ! ΚΙΝΔΥΝΟΣ ΤΡΑΥΜΑΤΙΣΜΟΥ!

- ▶ Εξασφαλίζετε ότι το μπλέντερ είναι πάντα απενεργοποιημένο προτού σηκώσετε το εξάρτημα ανάμειξης από τη μονάδα μοτέρ!
- ▶ Χρησιμοποιείτε το εξάρτημα ανάμειξης μόνο με την απεσταλμένη μονάδα μοτέρ!

ΠΡΟΣΟΧΗ! ΥΛΙΚΕΣ ΖΗΜΙΕΣ!

- ▶ Μη χρησιμοποιείτε τη συσκευή σε σημεία με απευθείας ηλιακή ακτινοβολία ή δημιουργία θερμότητας συσκευών που παράγουν θερμότητα.
- ▶ Ποτέ μη γεμίζετε το εξάρτημα ανάμειξης με υγρά που βράζουν! Αφήστε πρώτα αυτά τα υγρά να φτάσουν σε θερμοκρασία σώματος.
- ▶ Μη λειτουργείτε τη συσκευή εάν είναι άδεια, δηλαδή χωρίς τα συστατικά στο εξάρτημα ανάμειξης.

Αποσυσκευασία

- Απομακρύνετε όλα τα μέρη συσκευασίας ή τις μεμβράνες προστασίας από τη συσκευή. Φυλάτε τη συσκευασία για να αποθηκεύσετε τη συσκευή προστατευμένη ή για να μπορείτε να την αποστείλετε π.χ. σε περίπτωση επισκευής.
- Προτού χρησιμοποιήσετε τη συσκευή βεβαιωθείτε ότι η συσκευή όπως επίσης και το καλώδιο δικτύου με το φιλς και όλα τα αξεσουάρ και μέρη της συσκευής δεν έχουν φθαρεί.
- Καθαρίζετε με προσοχή όλα τα μέρη της συσκευής πριν από την πρώτη χρήση του επιτραπέζιου μίξερ (βλέπε «Καθαρισμός»).

Τοποθέτηση

Όταν έχετε καθαρίσει όλα τα εξαρτήματα, όπως περιγράφηκε στον “Καθαρισμός”:

- Τοποθετήστε τη συσκευή έτσι, ...
 - ώστε το καλώδιο δικτύου να μπορεί να οδηγηθεί μέσω της εσοχής στην πίσω πλευρά,
 - ώστε το βύσμα δικτύου να είναι άμεσα προσβάσιμο ώστε να μπορείτε να το τραβήξετε από την πρίζα σε περίπτωση κινδύνου,
 - ώστε να εδράζεται σταθερά χωρίς να γλιστρά και να ακουμπάνε καλά οι βεντούζες ώστε να μην αναποδογυρίσει η συσκευή σε περίπτωση κραδασμών,
 - ώστε το καλώδιο δικτύου να μην κρέμεται στο πεδίο εργασίας και να μην μπορεί να πέσει σε περίπτωση κατά λάθος τραβήγματος.

Χειρισμός




⚠ ΠΡΟΕΙΔΟΠΟΙΗΣΗ!

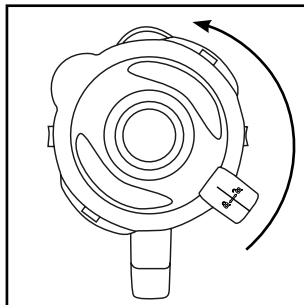
- Το μοτέρ απενεργοποιείται σε περίπτωση απομάκρυνσης του εξαρτήματος ανάμειξης **3** από το μοτέρ **6** ή ανοίγματος του καπακιού **2**. Σε αυτή την περίπτωση, ενδέχεται να ξεχάσετε ότι το μηχάνημα είναι ακόμη ενεργοποιημένο. Το μοτέρ θα εκκινηθεί αναπάντεχα, μόλις τοποθετηθεί το εξάρτημα ανάμειξης **3** ή κλείσει ξανά το καπάκι **2**:

Για το λόγο αυτό:

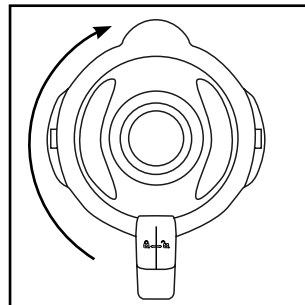
- Εισάγετε το βύσμα στην πρίζα μόνο μόλις το εξάρτημα ανάμειξης **3** είναι γεμάτο εντελώς και έχει μονταριστεί με ασφάλεια.
- Βεβαιώστε πριν από το μοντάρισμα πάντα ότι η συσκευή είναι απενεργοποιημένη ή ότι έχει τραβηχτεί το βύσμα.
- Πριν από την αφαίρεση του εξαρτήματος ανάμειξης **3** ή το άνοιγμα του καπακιού **2**, απενεργοποιείτε το μηχάνημα, αφαιρείτε το βύσμα δικτύου και περιμένετε μέχρι να ακινητοποιηθεί το μοτέρ.

Πλήρωση και τοποθέτηση εξαρτήματος ανάμειξης



- 1) Περιστρέψτε το εξάρτημα ανάμειξης **3** αριστερόστροφα μέχρι το βέλος ▼ να βρίσκεται κάτω από τη λαβή του εξαρτήματος ανάμειξης πάνω από τη θέση . Αφαιρέστε το εξάρτημα ανάμειξης **3** ίσια προς τα επάνω από τη μονάδα μοτέρ **6**.
- 2) Απομακρύνετε το καπάκι **2**, περιστρέφοντάς το αριστερόστροφα στην κατεύθυνση της θέσης  (βλ. Εικ. 1), μέχρι να μπορείτε να το αφαιρέσετε προς τα επάνω.
- 3) Γεμίστε το εξάρτημα ανάμειξης **3**.
- 4) Πιέστε πάλι το καπάκι **2** μετατοπισμένο σφικτά επάνω στο εξάρτημα ανάμειξης **3**. Κλείστε το καπάκι **2** περιστρέφοντάς το δεξιόστροφα στη θέση  μέχρι να κουμπώσει με ήχο (βλ. Εικ. 2). Βεβαιωθείτε ότι έχει ασφαλίσει και το στόμιο έκχυσης στο εξάρτημα ανάμειξης **3**. Η εκκίνηση του μοτέρ είναι δυνατή μόνο εάν τοποθετηθεί εφαρμοστά το καπάκι **2**.



Εικ. 1



Εικ. 2

- 5) Πιέστε το καπάκι τροφοδοσίας ❶ έως τον αναστολέα στο άνοιγμα καπακιού.
- 6) Τοποθετήστε το έτοιμο γεμάτο και ασφαλισμένο εξάρτημα ανάμειξης ❸ στη μονάδα μοτέρ ❹. Χρησιμοποιήστε για αυτό τις εσοχές στη μονάδα μοτέρ ❺ προσέχοντας το βέλος ▼ να δείχνει στο εξάρτημα ανάμειξης στο σύμβολο . Γυρίστε το εξάρτημα ανάμειξης ❸ δεξιόστροφα στη θέση  μέχρι να κουμπώσει με ήχο. Το μοτέρ ξεκινάει μόνο εάν το εξάρτημα ανάμειξης ❸ έχει τοποθετηθεί εφάρμοστα.

Επιλογή βαθμίδας ταχύτητας

Όταν το εξάρτημα ανάμειξης ❸ εδράζεται έτοιμο και γεμάτο και καλά ασφαλισμένο επάνω στη μονάδα μοτέρ ❹, μπορείτε να ενεργοποιήσετε τη συσκευή.

Θέστε το διακόπτη ❺ στη ...

■ βαθμίδα 1-3

για υγρά ή μεσαίως σκληρότητας τρόφιμα, για ανάμειξη, δημιουργία πολτών και ανακάτεμα

■ βαθμίδα 3-5

για πιο σκληρά τρόφιμα ή για κομμάτισμα

■ βαθμίδα Ice Crush/Clean (Θρυμματισμός πάγου/Καθαρισμός)

για σύντομη, δυνατή παλμική λειτουργία, π. χ. για θρυμματισμό κύβων πάγου ή για καθαρισμό. Ο διακόπτης ❺ κουμπώνει σε αυτή τη θέση, ώστε να μην υπερφορτωθεί το μοτέρ. Για αυτό κρατήστε το διακόπτη ❺ μόνο για λίγο, σε αυτή τη θέση.

ΥΠΟΔΕΙΞΗ

- ▶ Γεμίστε το εξάρτημα ανάμειξης ❸ με το μέγιστο 180 γρ. παγάκια. Αλλιώς η συσκευή δεν κομματιάζει τα παγάκια με τον καλύτερο τρόπο.

Γέμισμα κατά τη λειτουργία

⚠ ΠΡΟΕΙΔΟΠΟΙΗΣΗ!

- ▶ Όταν θέλετε να γεμίσετε κατά τη διάρκεια της λειτουργίας, επιτρέπεται να ανοίξετε αποκλειστικά μόνο το για αυτή την εργασία, προβλεπόμενο καπάκι τροφοδοσίας ❶. Σε καμία περίπτωση μην ανοίξετε το καπάκι ❷.
- ▶ Ποτέ μην εισάγετε μέσα στο εξάρτημα ανάμειξης ❸ τμήματα από μαχαιροπύρουνα ή εξαρτήματα ανάμειξης, όσο η συσκευή είναι σε λειτουργία. Υπάρχει αυξημένος κίνδυνος τραυματισμού όταν αυτά αγγίζουν τη λεπίδα κοπής ❹ που γυρνάει πολύ γρήγορα!

Για να μπορείτε να γεμίσετε κάτι εν λειτουργία, ...

- 1) Αφαιρέστε το καπάκι τροφοδοσίας ❶ από το καπάκι ❷ τραβώντας το.
- 2) Συμπληρώστε τα συστατικά.
- 3) Στη συνέχεια, πιέστε πάλι το καπάκι τροφοδοσίας ❶ στο άνοιγμα καπακιού.

Αφαίρεση εξαρτήματος ανάμειξης

Όταν ολοκληρωθεί η επεξεργασία των τροφίμων προς ανάμειξη:

- 1) Θέτετε πάντα πρώτα το διακόπτη **5** στη θέση απενεργοποίησης («0») και τραβάτε το βύσμα δικτύου.
- 2) Περιμένετε πρώτα να σταματήσει το μοτέρ, προτού αφαιρέσετε το εξάρτημα ανάμειξης **4** από τη μονάδα μοτέρ **6**. Για να το κάνετε αυτό, περιστρέψτε το εξάρτημα ανάμειξης **4** αριστερόστροφα μέχρι το βέλος **▼** να βρίσκεται κάτω από τη λαβή του εξαρτήματος ανάμειξης πάνω από τη θέση **1**. Αφαιρέστε το εξάρτημα ανάμειξης **4** ίσια προς τα επάνω από τη μονάδα μοτέρ **6**.

Χρήσιμες υποδείξεις

- Κατά την πολτοποιήση σφιχτών υλικών για να έχετε καλύτερα αποτελέσματα, βάζετε συνεχώς μόνο μικρές μερίδες στο εξάρτημα ανάμειξης **3** αντί για μεγάλη ποσότητα μια μόνο φορά.
- Όταν επεξεργάζεστε σφιχτά υλικά, κόψτε τα σε μικρά τεμάχια (2-3 εκ.).
- Κατά την ανάμειξη υγρών συστατικών ξεκινήστε πρώτα με μια ελάχιστη ποσότητα υγρού. Στη συνέχεια βάζετε λίγο-λίγο περισσότερο υγρό από το άνοιγμα του καπακιού.
- Όταν κατά τη λειτουργία θέτετε το χέρι σας πάνω από το κλειστό μπλέντερ, μπορείτε να σταθεροποιείτε καλά τη συσκευή.
- Για το ανακάτεμα σκληρών ή πολύ πηχτών τροφίμων ίσως είναι χρήσιμο να χρησιμοποιείτε τη βαθμίδα Ice Crush/Clean, ώστε να εμποδίσετε κόλλησημα της λεπίδας κοπής **4**.

ΥΠΟΔΕΙΞΗ

- Μη χρησιμοποιείτε τη συσκευή για να μειώσετε την κόκκωση αλατιού μαγειρικής, ραφινάρισμένης ζάχαρης ή άσπρης ζάχαρης. Για να δημιουργήσετε π.χ. ζάχαρη άχνη.

Συνταγές

Μιλκ-σέϊκ μπανάνα

- 2 μπανάνες
- περ. 2 ΚΣ (κουταλιά σουπας) ζάχαρη (ανάλογα με το βαθμό ωρίμανσης των μπανανών και την προσωπική γεύση)
- ½ λίτρο γάλα
- 1 πρέζα χυμό λεμόνι

Καθαρίστε τις μπανάνες και πολτοποιήστε τις στη βαθμίδα 2. Προσθέτετε λίγο - λίγο το γάλα, στη συνέχεια τη ζάχαρη και το χυμό λεμόνι. Αναμείζτε τα όλα τόσο έως ότου δημιουργηθεί ένα ομοιόμορφο υγρό. Σερβίρετε το μιλκ-σέϊκ παγωμένο.

Μιλκ-σέϊκ βανίλια

- ¼ λίτρο γάλα
- 250 γρ. παγωτό βανίλια
- 125 g παγάκια
- 1 ½ κγ (κουταλιά γλυκού) ζάχαρη

Θρυμματίστε τα παγάκια στη βαθμίδα Ice Crush/Clean. Γεμίστε με τα υπόλοιπα υλικά το μίξερ. Ανακατεύετε τα πάντα στη βαθμίδα 2, έως ότου προκύψει ένα ομοιόμορφο υγρό.

Μιλκ-σέϊκ καπουτσίνο

- 65 ml κρύο εσπρέσσο (ή πολύ δυνατό καφέ)
- 65 ml γάλα
- 15 γρ. ζάχαρη
- 65 g παγωτό βανίλια
- 100 g παγάκια

Θρυμματίστε τα παγάκια στη βαθμίδα Ice Crush/Clean. Προσθέτετε τον εσπρέσσο, το γάλα και τη ζάχαρη. Αναμείζτε τα όλα στη βαθμίδα 2, έως ότου διαλυθεί η ζάχαρη. Προσθέστε τέλος το παγωτό βανίλια και αναμείζτε τα όλα για λίγο στη βαθμίδα 1.

Τροπικό μίγμα

- 125 ml χυμός ανανά
- 60 ml χυμός παπάγια
- 50 ml χυμός πορτοκάλι
- ½ μικρή κονσέρβα ροδάκινα με χυμό
- 125 g παγάκια

Θρυμματίστε τα παγάκια στη βαθμίδα Ice Crush/Clean. Βάλτε όλα τα υλικά στο μίξερ και αναμείζτε τα όλα στη βαθμίδα 3.

Μιλκ-σέϊκ καρύδια - νουγκά

- ½ λίτρο γάλα
- 200 γρ. Κρέμα καρύδια - νουγκά
- 1 μπάλα παγωτό βανίλια
- 50 ml κρέμα

Αναμείζτε όλα τα υλικά στο μίξερ στη βαθμίδα 3, έως ότου δημιουργηθεί μια ομοιόμορφη ποσότητα.

Μιλκ-σέϊκ καρότο

- 300 ml χυμός μύλου
- 500 ml χυμός καρότων
- 4 ΚΣ λάδι (λάδι φύτρων σίτου ή κραμβέλαιο)
- 4 ΚΣ χυμού λεμονιού
- Σκόνη πιπερόριζας
- πιπέρι

Βάλτε το χυμό μύλου, το λάδι και το χυμό λεμονιού στο μίξερ και αναμείζτε τα όλα στη βαθμίδα 2. Στη συνέχεια προσθέστε το χυμό καρότου και αναμείζτε τα όλα στη βαθμίδα 2. Στη συνέχεια προσθέστε σύμφωνα με την προτίμηση σας σκόνη πιπερόριζας και πιπέρι.

Μιλκ-σέϊκ φραγκοστάφυλο

- 2 κγ μέλι
- 2 μπανάνες
- ¼ λίτρου βουτυρόγαλα
- ¼ λίτρου χυμό φραγκοστάφυλου (μαύρα)

Βάλτε όλα τα υλικά στο μίξερ και αναμείζτε τα όλα στη βαθμίδα 3.

Μιλκ-σέϊκ Χαβάνη

- 4 μπανάνες
- ¼ λίτρου χυμό ανανά
- ½ λίτρο γάλα
- 2 κουταλιές σούπας μέλι
- ¼ λίτρου ρούμι

Καθαρίστε τις μπανάνες και πολτοποιήστε τις στη βαθμίδα 2. Προσθέστε τα υπόλοιπα υλικά και ανακατέψτε τα όλα στη βαθμίδα 1.

Φρουτώδες μίγμα ανανά - φράουλας

- 250 ml χυμός ανανά
- 200 γρ. φράουλες
- 300 ml χυμός μύλου
- 4 παγάκια

Πλύντε τις φράουλες και απομακρύνετε τα πράσινα φύλλα. Θρυμματίστε τα παγάκια στη βαθμίδα Ice Crush/Clean. Πολτοποιήστε τις στη βαθμίδα 2. Στη συνέχεια προσθέστε τα υπόλοιπα υλικά και αναμείξτε στη βαθμίδα 1.

Κρύα σούπα της Ανδαλουσίας (Γκασπάτσο)

- ½ Αγγούρι
- 1 μεγάλη τομάτα
- 1 πράσινη πιπεριά
- ½ κρεμμύδι
- 1 σκελίδα σκόρδο
- ½ λευκό ψωμάκι
- ½ κγ αλάτι
- 1 κγ ξίδι από κόκκινο κρασί
- 1 ΚΣ ελαιόλαδο

Κόψτε τα λαχανικά σε κομμάτια μεγέθους περ. 2 εκ.

Βάλτε πρώτα τις τομάτες και στη συνέχεια τα αγγούρια στο μίξερ. Πολτοποιήστε στη βαθμίδα 3.

Προσθέστε τα υπόλοιπα υλικά και πολτοποιήστε/αναμείξτε τα όλα στη βαθμίδα 3, έως ότου δημιουργηθεί μια ομοιόμορφη σούπα. Σερβίρετε την με ψωμί.

ΥΠΟΔΕΙΞΗ

- ▶ Συνταγές χωρίς εγγύηση. Όλα τα υλικά και τα στοιχεία ετοιμασίας είναι τιμές βάσης. Διορθώστε αυτές τις προτάσεις συνταγών σύμφωνα με τις ατομικές σας εμπειρίες.

ΥΠΟΔΕΙΞΗ

- ▶ Σε περίπτωση δυσανεξίας στη λακτόζη σας προτείνουμε να χρησιμοποιείτε γάλα χωρίς λακτόζη. Λάβετε όμως υπόψη ότι το γάλα χωρίς λακτόζη είναι λίγο πιο γλυκό.

Καθαρισμός

⚠ ΠΡΟΕΙΔΟΠΟΙΗΣΗ! ΚΙΝΔΥΝΟΣ ΗΛΕΚΤΡΟΠΛΗΞΙΑΣ!

Πριν καθαρίσετε το μπλέντερ και τα εξαρτήματά του:

- ▶ Εξασφαλίστε ότι η συσκευή είναι απενεργοποιημένη και ότι το βύσμα έχει τραβηχτεί.



Σε καμία περίπτωση δεν επιτρέπεται η μονάδα μοτέρ **6** να βυθιστεί σε νερό ή άλλα υγρά. Έτσι μπορεί να προκληθεί κίνδυνος θανάτου μέσω ηλεκτροπληξίας και να πάθει βλάβη η συσκευή.

- ▶ Μην ανοίγετε ποτέ το περίβλημα της συσκευής. Αλλιώς ίσως προκληθεί κίνδυνος θανάτου μέσω ηλεκτροπληξίας.

⚠ ΠΡΟΕΙΔΟΠΟΙΗΣΗ! ΚΙΝΔΥΝΟΣ ΤΡΑΥΜΑΤΙΣΜΟΥ!

- ▶ Ποτέ μην αποσυναρμολογείτε τη λεπίδα κοπής **4** και επίσης ποτέ μην πιάνετε στο εξάρτημα ανάμειξης **3**. Η λεπίδα κοπής **4** είναι εξαιρετικά αιχμηρή!

ΠΡΟΣΟΧΗ! ΥΛΙΚΕΣ ΖΗΜΙΕΣ!

- ▶ Μη χρησιμοποιείτε διαλυτικά ή τριβικά μέσα για τις πλαστικές επιφάνειες, αλλιώς αυτές μπορεί να χαλάσουν.

Καθαρισμός εξαρτήματος ανάμειξης

- Καθαρίζετε το εξάρτημα ανάμειξης **3** μόνο με μια βούρτσα καθαρισμού με μεγάλη λαβή, έτσι ώστε να μην τραυματίζετε στις λεπίδες κοπής **4**.
- Καθαρίστε το καπάκι τροφοδοσίας **1** και το καπάκι **2** με ήπιο διάλυμα σαπουνάδας. Φροντίστε ώστε το στεγανοποιητικό λάστιχο **9** να εφαρμόζει σωστά, πριν χρησιμοποιήσετε εκ νέου το καπάκι **2**.

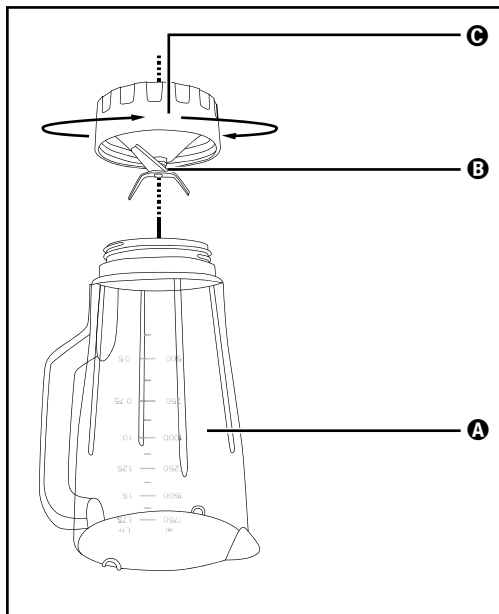
ΥΠΟΔΕΙΞΗ



Μπορείτε να πλένετε το καπάκι **2**, το καπάκι τροφοδοσίας **1** και το εξάρτημα ανάμειξης **3** με τη λεπίδα κοπής **4** και στο πλυντήριο πιάτων.

- Όταν καθαρίζετε το μπλέντερ αμέσως μετά τη χρήση, επιτυγχάνετε στις περισσότερες περιπτώσεις έναν επαρκή υγιεινό καθαρισμό μέσω της ακόλουθης εναλλακτικής:
Γεμίστε το εξάρτημα ανάμειξης **3** με 750 ml νερό και προσθέστε μερικές σταγόνες ενός ήπιου καθαριστικού μέσου. Κλείστε το καπάκι **2** και τοποθετήστε το εξάρτημα ανάμειξης **3** στη μονάδα μοτέρ **6**. Εισάγετε το βύσμα στην πρίζα και πιέστε μερικές φορές το κουμπί λειτουργίας Ice Crush/Clean (Θρυμματισμός πάγου/ Καθαρισμός), έτσι ώστε η λεπίδα κοπής **4** να περνάει με το μέγιστο αριθμό στροφών μέσα από το νερό.
Στη συνέχεια ξεπλύνετε το εξάρτημα ανάμειξης **3** με πολύ καθαρό νερό, έτσι ώστε να απομακρυνθούν όλα τα υπολείμματα καθαριστικού μέσου.

- Για να απομακρύνετε καλύτερα επίμονους λεκέδες, μπορείτε να λύσετε το κάτω πλαστικό τμήμα του εξαρτήματος ανάμειξης **3** με τη λεπίδα κοπής **4** από το επάνω πλαστικό τμήμα του εξαρτήματος ανάμειξης **3**:



Εικ. 3

A Επάνω πλαστικό τμήμα

B Λεπίδα

C Κάτω πλαστικό τμήμα

- 1) Αφαιρέστε το εξάρτημα ανάμειξης **3** από τη μονάδα μοτέρ **6**. Για καλύτερη σταθερότητα αφαιρέστε το καπάκι **2**, περιστρέφοντάς το τόσο αριστερόστροφα στην κατεύθυνση της θέσης **4** (βλ. Εικ. 1), μέχρι να μπορείτε να το αφαιρέσετε προς τα επάνω.
- 2) Γυρίστε τη συσκευή ανάποδα και περιστρέψτε το κάτω πλαστικό τμήμα **C** του εξαρτήματος ανάμειξης **3** αριστερόστροφα κατά τέτοιο τρόπο, ώστε να μπορεί να λυθεί από το επάνω πλαστικό τμήμα **A** του εξαρτήματος ανάμειξης **3** (βλέπε εικ. 3).

⚠ ΠΡΟΕΙΔΟΠΟΙΗΣΗ! ΚΙΝΔΥΝΟΣ ΤΡΑΥΜΑΤΙΣΜΟΥ!

► Να είστε προσεκτικοί με τις λεπίδες **B**. Είναι πολύ αιχμηρές. Κίνδυνος τραυματισμού!

- 3) Καθαρίστε και τα δύο εξαρτήματα σχολαστικά με ήπιο διάλυμα σαπουνάδας.

ΥΠΟΔΕΙΞΗ



Μπορείτε να πλένετε το επάνω πλαστικό τμήμα **A** του εξαρτήματος ανάμειξης **B** και τη λεπίδα κοπής **4** με το κάτω πλαστικό τμήμα **C** και στο πλυντήριο πιάτων.

- 4) Στεγνώνετε όλα τα εξαρτήματα καλά, πριν τα επανασυναρμολογήσετε.
- 5) Επαναφέρετε το πλαστικό τμήμα **C** του εξαρτήματος ανάμειξης **B** στο επάνω πλαστικό τμήμα **A** του εξαρτήματος ανάμειξης **B** και συσφίξτε περιστρέφοντάς το δεξιόστροφα.

Καθαρισμός μονάδας μοτέρ

- 1) Χρησιμοποιείτε ένα στεγνό ή το πολύ ελαφρά νωπό πανί, για να καθαρίζετε τις πλαστικές επιφάνειες.
- 2) Ελέγχετε σε κάθε καθαρισμό ότι ο διακόπτης επαφής στην υποδοχή για το εξάρτημα ανάμειξης **3** δεν είναι μπλοκαρισμένος μέσω υπολειμμάτων από βρομιές. Όταν δεν μπορείτε να διαλύσετε ενδεχόμενα μπλοκαρίσματα με τη γωνία ενός φύλλου χαρτιού, απευθυνθείτε στο τμήμα εξυπηρέτησης πελατών. Σε καμία περίπτωση μη χρησιμοποιείτε σκληρό αντικείμενο διότι ο διακόπτης επαφής θα μπορούσε έτσι να χαλάσει.
- 3) Απομακρύνετε ενδεχόμενες ακαθαρσίες στην κάτω πλευρά της μονάδας μοτέρ **5** αποκλειστικά με ένα στεγνό πανί ή με ένα πινέλο απομάκρυνσης σκόνης. Προσέχετε ώστε τίποτα να μην φτάνει μέσα από τα ανοίγματα αερισμού στη συσκευή.

Μετά τον καθαρισμό

Αφήνετε όλα τα εξαρτήματα να στεγνώνουν πάλι καλά, πριν συναρμολογήσετε και χρησιμοποιήσετε το μπλέντερ.

Φύλαξη

- 1) Όταν δε χρησιμοποιείτε το μπλέντερ για μεγάλο χρονικό διάστημα, καθαρίζετε το λεπτομερώς (βλέπε Κεφάλαιο "Καθαρισμός").
- 2) Τυλίξτε το καλώδιο δικτύου γύρω από τη διάταξη τύλιξης καλωδίου **7** στο δάπεδο της μονάδας μοτέρ **6**.
- 3) Φυλάτε το μπλέντερ σε ένα ψυχρό, στεγνό χώρο.

Απομάκρυνση



Σε καμία περίπτωση μην απορρίψετε τη συσκευή στα οικιακά απορρίμματα. Αυτό το προϊόν υπόκειται στην Ευρωπαϊκή Οδηγία 2012/19/EU.

Απορρίψτε τη συσκευή μέσω μιας εγκεκριμένης επιχείρησης απόρριψης ή μέσω της κοινοτικής επιχείρησης απόρριψης. Τηρείτε τις ισχύουσες προδιαγραφές. Σε περίπτωση αμφιβολιών επικοινωνείτε με την αρμόδια επιχείρηση απόρριψης.



Για πληροφορίες σχετικά με τις δυνατότητες απόρριψης του προϊόντος που δεν χρησιμοποιείται πλέον, απευθυνθείτε στις αρμόδιες υπηρεσίες της κοινότητας ή του δήμου σας.



Απορρίψτε τη συσκευασία με φιλικό τρόπο προς το περιβάλλον. Λαμβάνετε υπόψη τη σήμανση στα διαφορετικά υλικά συσκευασίας και, εφόσον απαιτείται, ξεχωρίζετε τα. Τα υλικά συσκευασίας φέρουν σήμανση με συντομογραφίες (a) και ψηφία (b) με την εξής σημασία:

1-7: Πλαστικά,
20-22: Χαρτί και χαρτόνι,
80-98: Συνθετικά υλικά.



Η συσκευασία αποτελείται από φιλικά προς το περιβάλλον υλικά, τα οποία μπορείτε να απορρίψετε μέσω των τοπικών σημείων ανακύκλωσης.

Εγγύηση της Kompnass Handels GmbH

Αξιότιμη πελάτισσα, αξιότιμε πελάτη,

Η παρούσα συσκευή διαθέτει 3 χρόνια εγγύηση από την ημερομηνία αγοράς. Στην περίπτωση ελλείψεων στο προϊόν έχετε νομικά δικαιώματα έναντι του πωλητή του προϊόντος. Αυτά τα νομικά δικαιώματα δεν περιορίζονται μέσω της κατωτέρω αναφερόμενης εγγύησης.

Προϋποθέσεις εγγύησης

Η περίοδος εγγύησης ξεκινάει κατά την ημερομηνία αγοράς. Φυλάξτε καλά την πρωτότυπη απόδειξη ταμείου. Αυτό το έγγραφο απαιτείται ως απόδειξη για την αγορά.

Εάν, εντός τριών ετών από την ημερομηνία αγοράς, προκύψει στο προϊόν αυτό σφάλμα υλικού ή κατασκευής, κατόπιν κρίσης μας, επισκευάζουμε ή αντικαθιστούμε το προϊόν για εσάς δωρεάν. Η παρούσα εγγύηση προϋποθέτει ότι εντός της περιόδου τριών ετών η ελαττωματική συσκευή και η απόδειξη αγοράς (απόδειξη ταμείου) θα υποβληθούν μαζί με σύντομη περιγραφή σχετικά με το που βρίσκεται η έλλειψη και τότε προέκυψε.

Εάν το ελάττωμα καλύπτεται από την εγγύησή μας, θα λάβετε το επισκευασμένο ή ένα νέο προϊόν.

Περίοδος εγγύησης και νομικές απαιτήσεις λόγω ελλείψεων

Ο χρόνος εγγύησης δεν παρατείνεται μέσω της παροχής εγγύησης. Αυτό ισχύει και για εξαρτήματα, τα οποία έχουν αντικατασταθεί και επισκευαστεί. Ενδεχόμενες ήδη υπάρχουσες ζημιές και ελλείψεις κατά την αγορά πρέπει να γνωστοποιούνται αμέσως μετά την αποσυσκευασία. Μετά τη λήξη του χρόνου εγγύησης, τυχόν εμφανιζόμενες επισκευές χρεώνονται.

Εύρος εγγύησης

Η συσκευή κατασκευάστηκε σύμφωνα με αυστηρές οδηγίες ποιότητας και ελέγχθηκε προσεκτικά πριν από την αποστολή.

Η απόδοση εγγύησης ισχύει για σφάλματα υλικού ή κατασκευής. Η παρούσα εγγύηση δεν εκτείνεται σε τμήματα του προϊόντος, τα οποία εκτίθενται σε φυσιολογική φθορά και έτσι μπορεί να θεωρούνται εξαρτήματα φθοράς ή για ζημιές σε εύθραυστα εξαρτήματα, π.χ. διακόπτες, συσσωρευτές, ταψιά ή εξαρτήματα που είναι κατασκευασμένα από γυαλί.

Η παρούσα εγγύηση ακυρώνεται εάν προκληθεί ζημιά στο προϊόν, εάν δεν γίνεται σωστή χρήση ή συντήρηση. Για μια σωστή χρήση του προϊόντος πρέπει να τηρούνται επακριβώς οι αναφερόμενες υποδείξεις στις οδηγίες χειρισμού. Σκοποί χρήσης και χειρισμοί που δεν συνιστώνται ή για τους οποίους υπάρχει προειδοποίηση πρέπει απαραίτητα να αποφεύγονται.

Το προϊόν προορίζεται μόνο για ιδιωτική και όχι για επαγγελματική χρήση. Σε περίπτωση κακής μεταχείρισης και ακατάλληλης χρήσης, χρήσης βίας και παρεμβάσεων, οι οποίες δεν διεξήχθησαν από το εξουσιοδοτημένο μας τμήμα σέρβις, η εγγύηση παύει να ισχύει.

Διαδικασία σε περίπτωση εγγύησης

Για την εξασφάλιση γρήγορης επεξεργασίας του ζητήματός σας, τηρείτε τις ακόλουθες υποδείξεις:

- Για όλες τις ερωτήσεις έχετε έτοιμη την απόδειξη αγοράς και τον κωδικό προϊόντος (π.χ. IAN 12345) ως απόδειξη για την αγορά.
- Μπορείτε να βρείτε τον κωδικό προϊόντος στην πινακίδα τύπου, χαραγμένο, στην πρώτη σελίδα των οδηγιών σας (κάτω αριστερά) ή σε αυτοκόλλητο στην πίσω ή κάτω πλευρά.
- Εάν προκύψουν σφάλματα λειτουργίας ή άλλες ελλείψεις, επικοινωνήστε κατ' αρχήν με το ακόλουθο αναφερόμενο τμήμα σέρβις **τηλεφωνικά ή με E-Mail**.
- Ένα προϊόν που θεωρείται ελαττωματικό μπορείτε να το αποστείλετε ατελώς στην αναφερόμενη διεύθυνση του σέρβις επισυνάπτοντας την απόδειξη αγοράς (απόδειξη ταμείου) και αναφέροντας που βρίσκεται η έλλειψη και τότε εμφανίστηκε.



Στην ιστοσελίδα www.lidl-service.com μπορείτε να κατεβάσετε το παρόν και πολλά άλλα εγχειρίδια, βίντεο προϊόντων και λογισμικό.

Σέρβις

GR Σέρβις Ελλάδα
Tel.: 801 5000 019 (0,03 EUR/Min.)
E-Mail: kompernass@lidl.gr

CY Σέρβις Κύπρος
Tel.: 8009 4409
E-Mail: kompernass@lidl.com.cy

IAN 315040

Εισαγωγέας

Η ακόλουθη διεύθυνση δεν είναι διεύθυνση σέρβις. Επικοινωνήστε, κατ' αρχήν, με την αναφερόμενη υπηρεσία σέρβις.

KOMPERNASS HANDELS GMBH
BURGSTRASSE 21
DE-44867 BOCHUM
GERMANIA
www.kompernass.com

Inhaltsverzeichnis

Einleitung	38
Bestimmungsgemäßer Gebrauch	38
Lieferumfang	38
Gerätebeschreibung	39
Technische Daten	39
Sicherheitshinweise	40
Auspacken	42
Aufstellen	42
Bedienen	43
Mixaufsatz befüllen und montieren	43
Geschwindigkeitsstufe wählen	44
Einfüllen im Betrieb	44
Mixaufsatz abnehmen	45
Nützliche Hinweise	45
Rezepte	46
Bananen-Shake	46
Vanille-Shake	46
Cappuccino-Shake	46
Tropical-Mix	46
Nuss-Nougat-Shake	47
Möhren-Shake	47
Johannisbeer-Mix	47
Hawaii-Shake	47
Fruchtiger Ananas-Erdbeer-Mix	48
Andalusische kalte Suppe (Gazpacho)	48
Reinigen	49
Mixaufsatz reinigen	49
Motorblock reinigen	51
Nach dem Reinigen	51
Aufbewahren	51
Entsorgung	52
Garantie der Kompernaß Handels GmbH	53
Service	54
Importeur	54

Einleitung

Herzlichen Glückwunsch zum Kauf Ihres neuen Gerätes. Sie haben sich damit für ein hochwertiges Produkt entschieden. Die Bedienungsanleitung ist Bestandteil dieses Produkts. Sie enthält wichtige Hinweise für Sicherheit, Gebrauch und Entsorgung. Machen Sie sich vor der Benutzung des Produkts mit allen Bedien- und Sicherheitshinweisen vertraut. Benutzen Sie das Produkt nur wie beschrieben und für die angegebenen Einsatzbereiche. Händigen Sie alle Unterlagen bei Weitergabe des Produkts an Dritte mit aus.

Bestimmungsgemäßer Gebrauch

Dieses Gerät ist ausschließlich bestimmt für ...

- das Mischen, Pürieren und Rühren von Lebensmitteln sowie Zerkleinern von Eiswürfeln (sog. "Crushen"),
- haushaltsübliche Mengen und nur in privaten Haushalten in trockenen Räumen.

Dieses Gerät ist nicht bestimmt für ...

- das Zerkleinern von harten Lebensmittelanteilen wie z. B. Nüsse, Kerne, große Körner oder Stiele,
- das Verarbeiten von Materialien, die nicht Lebensmittel sind,
- den Einsatz für gewerbliche oder industrielle Zwecke,
- die Verwendung in feuchter Umgebung oder im Freien,
- das Verarbeiten von heißen/kochenden Flüssigkeiten.

Verwenden Sie nur Zubehör- und Ersatzteile, die für dieses Gerät bestimmt sind. Andere Teile sind möglicherweise nicht ausreichend geeignet oder sicher!

Lieferumfang


Kontrollieren Sie nach dem Auspacken die Lieferung auf Vollständigkeit. Im Lieferumfang enthalten ist:

- Motorblock, mit Netzkabel und Netzstecker
- Mixaufsatz
- Deckel
- Dosierkappe
- Bedienungsanleitung

Gerätebeschreibung

- ❶ Dosierkappe
- ❷ Deckel
- ❸ Mixaufsatz
- ❹ Schneidmesser
- ❺ Schalter
- ❻ Motorblock
- ❼ Kabelaufwicklung
- ❽ Skala
- ❾ Gummidichtung Deckel

Technische Daten

Nennspannung	220 - 240 V ~ (Wechselstrom), 50 - 60 Hz
Nennleistung	600 W
Max. Einfüllmenge	1,75 Liter
Schutzklasse	II / □ (Doppelisolierung)
KB-Zeit	3 Minuten
	Alle Teile dieses Gerätes, die mit Lebensmitteln in Berührung kommen, sind lebensmittelecht.

Die KB-Zeit (Kurzbetriebszeit) gibt an, wie lange man ein Gerät betreiben kann, ohne dass der Motor überhitzt und Schaden nimmt. Nach der angegebenen KB-Zeit muss das Gerät solange ausgeschaltet werden, bis sich der Motor auf Raumtemperatur abgekühlt hat.

Sicherheitshinweise

GEFAHR! ELEKTRISCHER SCHLAG!

- ▶ Stellen Sie sicher, dass der Motorblock, das Netzkabel oder der Netzstecker niemals in Wasser oder andere Flüssigkeiten getaucht wird.
- ▶ Verwenden Sie das Gerät ausschließlich in trockenen Räumen, niemals im Freien oder in feuchter Umgebung.
- ▶ Achten Sie darauf, dass im Betrieb das Netzkabel niemals nass oder feucht wird. Führen Sie es so, dass es nicht eingeklemmt oder anderweitig beschädigt werden kann.
- ▶ Lassen Sie beschädigte Netzstecker oder Netzkabel sofort von autorisiertem Fachpersonal oder dem Kundenservice austauschen, um Gefährdungen zu vermeiden.
- ▶ Ziehen Sie nach Gebrauch immer den Stecker aus der Steckdose. Ausschalten alleine genügt nicht, weil noch immer Netzspannung im Gerät anliegt, solange der Netzstecker in der Steckdose steckt.
- ▶ Kontrollieren Sie vor jedem Gebrauch das Gerät auf seinen einwandfreien Zustand. Das Gerät darf nicht verwendet werden, wenn Schäden erkennbar sind, insbesondere am Motorblock oder Mixaufsatz.
- ▶ Ziehen Sie sofort den Netzstecker aus der Steckdose, wenn Sie eine ungewöhnliche Geräusch- oder Geruchsentwicklung wahrnehmen oder bei erkennbarer Fehlfunktion.

WARNUNG! VERLETZUNGSGEFAHR!

- ▶ Greifen Sie niemals in den Mixaufsatz, insbesondere nicht im Betrieb. Die Messer sind extrem scharf!
- ▶ Öffnen Sie nicht den Deckel, wenn das Gerät in Betrieb ist.
- ▶ Lassen Sie das Gerät nicht unbeaufsichtigt arbeiten, um bei Gefahr sofort reagieren zu können.

⚠️ WARNUNG! VERLETZUNGSGEFAHR!

- ▶ Führen Sie niemals Besteckteile oder Rührgegenstände in den Mixaufsatz, solange das Gerät in Betrieb ist. Es besteht erhebliche Verletzungsgefahr, wenn diese das sich sehr schnell drehende Messer berühren!
- ▶ Kinder sollten beaufsichtigt werden, um sicherzustellen, dass sie nicht mit dem Gerät spielen.
- ▶ Missbrauchen Sie das Gerät nicht für andere Zwecke, als in dieser Anleitung beschrieben.
- ▶ Bei Missbrauch des Gerätes besteht Verletzungsgefahr.
- ▶ Das Gerät ist bei nicht vorhandener Aufsicht und vor dem Zusammenbau, dem Auseinandernehmen oder Reinigen stets vom Netz zu trennen.
- ▶ Das Gerät darf nicht von Kindern benutzt werden.
- ▶ Das Gerät und seine Anschlussleitung sind von Kindern fernzuhalten.
- ▶ Dieses Gerät kann von Personen mit reduzierten physischen, sensorischen oder mentalen Fähigkeiten oder Mangel an Erfahrung und/oder Wissen benutzt werden, wenn sie beaufsichtigt oder bezüglich des sicheren Gebrauchs des Gerätes unterwiesen wurden und die daraus resultierenden Gefahren verstanden haben.
- ▶ Kinder dürfen nicht mit dem Gerät spielen.
- ▶ Seien Sie vorsichtig beim Umgang mit dem Gerät. Die Messer sind sehr scharf!
- ▶ Gehen Sie vorsichtig beim Leeren des Mixaufsatzes vor! Die Messer sind sehr scharf!
- ▶ Gehen Sie vorsichtig beim Reinigen des Gerätes vor! Die Messer sind sehr scharf!
- ▶ Schalten Sie das Gerät aus und ziehen Sie den Netzstecker, bevor Sie Zubehör wechseln oder Teile anfassen, die sich während des Betriebs bewegen.

⚠️ WARNUNG! VERLETZUNGSGEFAHR!

- ▶ Stellen Sie sicher, dass der Mixer immer ausgeschaltet ist, bevor Sie ihn vom Motorblock heben!
- ▶ Verwenden Sie den Mixaufsatz nur mit dem mitgelieferten Motorblock!

ACHTUNG! SACHSCHADEN!

- ▶ Verwenden Sie das Gerät nicht im Bereich direkter Sonneneinstrahlung oder Wärmeeinwirkung hitzezeugender Geräte.
- ▶ Füllen Sie niemals kochende Flüssigkeiten oder sehr heiße Lebensmittel in den Mixaufsatz! Lassen Sie diese erst auf handwarme Temperatur abkühlen!
- ▶ Betreiben Sie das Gerät niemals im Leerzustand, d. h. ohne Zutaten im Mixaufsatz.

Auspacken

- Entfernen Sie alle Verpackungsteile oder Schutzfolien vom Gerät. Bewahren Sie die Verpackung auf, um das Gerät geschützt lagern oder einsenden zu können, z. B. im Reparaturfall.
- Bevor Sie das Gerät verwenden, überzeugen Sie sich davon, dass das Gerät unbeschädigt ist, ebenso das Netzkabel mit Netzstecker und alle Zubehör- und Geräteteile.
- Reinigen Sie sorgfältig alle Bestandteile vor dem ersten Gebrauch des Standmixers (siehe „Reinigen“).

Aufstellen

Wenn Sie alle Teile gereinigt haben, wie unter „Reinigen“ beschrieben:




- Stellen Sie das Gerät so auf, ...
 - dass das Netzkabel durch die Aussparung an der Rückseite geführt wird,
 - dass der Netzstecker sofort erreichbar ist, um diesen bei Gefahr aus der Steckdose ziehen zu können,
 - dass es stabil und rutschfest steht, so dass die Saugnäpfe Halt finden, damit bei Vibrationen das Gerät nicht umkippt,
 - dass das Netzkabel nicht in den Arbeitsbereich ragt und durch versehentliches Ziehen daran das Gerät umkippen kann.

Bedienen

⚠ WARNUNG

- ▶ Der Motor schaltet sich aus, sobald der Mixaufsatz **3** vom Motorblock **6** entfernt oder der Deckel **2** geöffnet wird. Es wird dann vielleicht übersehen, dass die Maschine noch eingeschaltet ist. Der Motor startet dann unvermutet, sobald der Mixaufsatz **3** montiert oder der Deckel **2** wieder geschlossen wird:
Deshalb:
 - Stecken Sie den Netzstecker erst dann in die Steckdose, sobald der Mixaufsatz **3** fertig befüllt und verschlossen montiert ist.
 - Vergewissern Sie sich vor dem Montieren stets, dass das Gerät ausgeschaltet oder der Netzstecker gezogen ist.
 - Schalten Sie erst aus, ziehen Sie den Netzstecker und warten Sie den Stillstand des Motors ab, bevor Sie den Mixaufsatz **3** abnehmen oder den Deckel **2** öffnen.

Mixaufsatz befüllen und montieren

- 1) Drehen Sie den Mixaufsatz **3** gegen den Uhrzeigersinn bis der Pfeil ▼ unter dem Griff des Mixaufsatzes über der Position  steht. Nehmen Sie den Mixaufsatz **3** gerade nach oben vom Motorblock **6** ab.
- 2) Entfernen Sie den Deckel **2**, indem Sie ihn so weit gegen den Uhrzeigersinn Richtung Position  drehen (siehe Abb. 1), bis Sie ihn nach oben abziehen können.
- 3) Befüllen Sie den Mixaufsatz **3**.
- 4) Drücken Sie den Deckel **2** versetzt wieder fest auf den Mixaufsatz **3** auf. Schließen Sie den Deckel **2**, indem Sie ihn im Uhrzeigersinn in die Position  drehen, bis er hörbar einrastet (siehe Abb. 2). Achten Sie darauf, dass die Ausgießnase am Mixaufsatz **3** verschlossen ist. Nur wenn der Deckel **2** bündig aufgesetzt ist, kann der Motor starten.

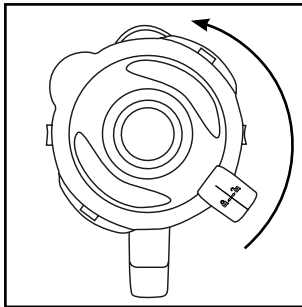


Abb.1

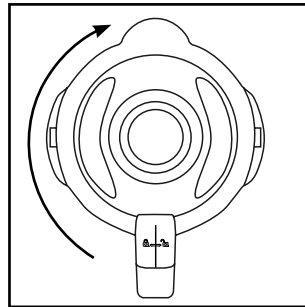

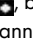


Abb.2

- 5) Drücken Sie die Dosierkappe **1** bis zum Anschlag in die Deckelöffnung.

- 6) Setzen Sie den fertig befüllten und verschlossenen Mixaufsatz **3** auf den Motorblock **6**. Nutzen Sie dazu die Aussparungen am Motorblock **6** und achten Sie dabei darauf, dass der Pfeil ▼ am Mixaufsatz **3** auf das -Symbol zeigt. Drehen Sie den Mixaufsatz **3** im Uhrzeigersinn in die Position , bis er hörbar einrastet. Nur wenn der Mixaufsatz **3** bündig aufgesetzt ist, kann der Motor starten.

Geschwindigkeitsstufe wählen

Wenn der Mixaufsatz **3** fertig befüllt und vollständig verschlossen auf dem Motorblock **6** steht, können Sie das Gerät einschalten.

Stellen Sie den Schalter **5** auf ...

■ Stufe 1 – 3

für flüssige oder mittelfeste Lebensmittel, zum Mischen, Pürieren und Rühren

■ Stufe 3 – 5

für festere Lebensmittel oder zum Zerkleinern

■ Stufe Ice Crush/Clean

für kurzen, kraftvollen Impulsbetrieb, z. B. zum Crushen von Eiswürfeln oder zur Reinigung. Der Schalter **5** rastet in dieser Stellung nicht ein, um den Motor nicht zu überlasten. Halten Sie den Schalter **5** deshalb nur kurz in dieser Stellung.

HINWEIS

- ▶ Befüllen Sie den Mixaufsatz **3** mit maximal 180 g Eiswürfeln. Ansonsten zerkleinert das Gerät die Eiswürfel nicht optimal.

Einfüllen im Betrieb

WARNUNG


- ▶ Wenn Sie bei laufendem Betrieb etwas einfüllen möchten, dürfen Sie ausschließlich die dafür eigens vorgesehene Dosierkappe **1** öffnen. Öffnen Sie keinesfalls den Deckel **2**.
- ▶ Führen Sie niemals Besteckteile oder Rührgegenstände in den Mixaufsatz **3**, solange das Gerät in Betrieb ist. Es besteht erhebliche Verletzungsgefahr, wenn diese das sich sehr schnell drehende Schneidmesser **4** berühren!

Um bei laufendem Betrieb etwas einfüllen zu können, ...

- 1) Ziehen Sie die Dosierkappe **1** aus dem Deckel **2** heraus.
- 2) Füllen Sie die Zutaten ein.
- 3) Drücken Sie die Dosierkappe **1** anschließend wieder in die Deckelöffnung.

Mixaufsatz abnehmen

Wenn die Bearbeitung der eingefüllten Lebensmittel beendet ist:

- 1) Stellen Sie immer erst den Schalter **5** in Aus-Stellung („0“) und ziehen Sie den Netzstecker.
- 2) Warten Sie erst den Stillstand des Motors ab, bevor Sie den Mixaufsatz **3** vom Motorblock **6** nehmen. Drehen Sie dazu den Mixaufsatz **3** gegen den Uhrzeigersinn bis der Pfeil ▼ unter dem Griff des Mixaufsatzes über der Position  steht. Nehmen Sie den Mixaufsatz **3** gerade nach oben vom Motorblock **6** ab.

Nützliche Hinweise

- Um beim Pürieren fester Zutaten beste Ergebnisse zu erzielen, geben Sie nach und nach nur kleine Portionen in den Mixaufsatz **3**, anstatt eine große Menge auf einmal einzufüllen.
- Wenn Sie feste Zutaten verarbeiten, schneiden Sie diese in kleine Stücke (2 - 3 cm).
- Beim Mixen flüssiger Zutaten beginnen Sie zunächst mit einer geringen Menge Flüssigkeit. Geben Sie dann nach und nach mehr Flüssigkeit durch die Deckelöffnung hinzu.
- Wenn Sie bei laufendem Betrieb Ihre Hand oben auf den verschlossenen Standmixer legen, können Sie das Gerät damit gut stabilisieren.
- Für das Rühren von festen oder sehr dickflüssigen Lebensmitteln kann es nützlich sein, die Stufe Ice Crush/Clean zu verwenden, um ein Festsetzen des Schneidmessers **4** zu verhindern.

HINWEIS

- ▶ Benutzen Sie das Gerät nicht, um die Körnung von Speisesalz, Raffinadezucker oder weißem Zucker zu verfeinern. Zum Beispiel, um Puderzucker herzustellen.

Rezepte

Bananen-Shake

- 2 Bananen
- ca. 2 Esslöffel Zucker
(je nach Reifegrad der Bananen und persönlichem Geschmack)
- ½ Liter Milch
- 1 Spritzer Zitronensaft

Schälen Sie die Bananen und pürieren Sie sie auf Stufe 2. Geben Sie nach und nach die Milch, dann den Zucker und den Zitronensaft hinzu. Mixen Sie alles so lange, bis eine gleichmäßige Flüssigkeit entsteht. Servieren Sie den Shake eisgekühlt.

Vanille-Shake

- ¼ Liter Milch
- 250 g Vanilleeis
- 125 g Eiswürfel
- 1 ½ Teelöffel Zucker

Crushen Sie die Eiswürfel mit der Stufe Ice Crush/Clean. Füllen Sie die restlichen Zutaten in den Mixer. Mixen Sie alles so lange auf Stufe 2, bis eine gleichmäßige Flüssigkeit entsteht.

Cappuccino-Shake

- 65 ml kalten Espresso (oder sehr starken Kaffee)
- 65 ml Milch
- 15 g Zucker
- 65 g Vanilleeis
- 100 g Eiswürfel

Crushen Sie die Eiswürfel mit der Stufe Ice Crush/Clean. Geben Sie den Espresso, die Milch und den Zucker hinzu. Mixen Sie alles auf der Stufe 2, bis sich der Zucker aufgelöst hat. Geben Sie zum Schluss das Vanilleeis hinzu und mixen Sie alles kurz auf der Stufe 1 durch.

Tropical-Mix

- 125 ml Ananassaft
- 60 ml Papayasaft
- 50 ml Orangensaft
- ½ kleine Dose Pfirsiche mit Saft
- 125 g Eiswürfel

Crushen Sie die Eiswürfel mit der Stufe Ice Crush/Clean. Geben Sie alle Zutaten in den Mixer und mischen Sie alles auf Stufe 3 durch.

Nuss-Nougat-Shake

- ½ Liter Milch
- 200 g Nuss-Nougat-Creme
- 1 Kugel Vanilleeis
- 50 ml Sahne

Vermengen Sie alle Zutaten im Mixer auf Stufe 3, bis alles gleichmäßig vermengt ist.

Möhren-Shake

- 300 ml Apfelsaft
- 500 ml Möhrensaft
- 4 Esslöffel Öl (Weizenkeim- oder Rapsöl)
- 4 Esslöffel Zitronensaft
- Ingwerpulver
- Pfeffer

Geben Sie den Apfelsaft, das Öl und den Zitronensaft in den Mixer und mischen Sie alles auf Stufe 2. Geben Sie dann den Möhrensaft hinzu und mixen Sie alles auf Stufe 2 durch. Schmecken Sie dann den Shake mit Ingwerpulver und Pfeffer ab.

Johannisbeer-Mix

- 2 Teelöffel Honig
- 2 Bananen
- ¼ Liter Buttermilch
- ¼ Liter Johannisbeersaft (schwarz)

Geben Sie alle Zutaten in den Mixer und mixen Sie alles auf Stufe 3 durch.

Hawaii-Shake

- 4 Bananen
- ¼ Liter Ananassaft
- ½ Liter Milch
- 2 EL Honig
- ¼ Liter Rum

Schälen Sie die Bananen und pürieren Sie sie auf Stufe 2. Geben Sie die weiteren Zutaten hinzu und vermengen Sie alles auf Stufe 1.

Fruchtiger Ananas-Erdbeer-Mix

- 250 ml Ananassaft
- 200 g Erdbeeren
- 300 ml Apfelsaft
- 4 Eiswürfel

Waschen Sie die Erdbeeren und entfernen Sie das Grün. Crushen Sie die Eiswürfel mit der Stufe Ice Crush/Clean. Pürieren Sie sie auf Stufe 2. Geben Sie dann die restlichen Zutaten hinzu und mixen Sie alles auf Stufe 1.

Andalusische kalte Suppe (Gazpacho)

- ½ Gurke
- 1 Fleischtomate
- 1 grüne Paprika
- ½ Zwiebel
- 1 Knoblauchzehe
- ½ weißes Brötchen
- ½ Teelöffel Salz
- 1 Teelöffel Rotweinessig
- 1 Esslöffel Olivenöl

Schneiden Sie das Gemüse in ca. 2 cm große Stücke. Geben Sie zuerst die Tomatenstücke und danach die Gurke in den Mixer. Pürieren Sie diese auf Stufe 3. Fügen Sie die restlichen Zutaten hinzu und pürieren/durchmengen Sie alles auf Stufe 3, bis eine gleichmäßige Suppe entsteht. Servieren Sie das ganze mit Brot.

HINWEIS

- ▶ Rezepte ohne Gewähr. Alle Zutaten- und Zubereitungsangaben sind Anhaltswerte. Ergänzen Sie diese Rezeptvorschläge um Ihre persönlichen Erfahrungswerte.

HINWEIS

- ▶ Bei Laktose-Intoleranz empfehlen wir Ihnen, laktosefreie Milch zu verwenden. Bedenken Sie dabei jedoch, dass laktosefreie Milch ein wenig süßer schmeckt.

Reinigen

⚠ STROMSCHLAGGEFAHR!

Bevor Sie den Standmixer und seine Teile reinigen:

- ▶ Stellen Sie sicher, dass das Gerät ausgeschaltet und der Netzstecker gezogen ist.



Auf keinen Fall darf der Motorblock **6** in Wasser oder andere Flüssigkeiten getaucht werden. Hierdurch kann Lebensgefahr durch elektrischen Schlag entstehen und das Gerät kann beschädigt werden.

- ▶ Öffnen Sie niemals das Gehäuse des Gerätes. Andernfalls kann Lebensgefahr bestehen durch elektrischen Schlag.

⚠ WARNUNG! VERLETZUNGSGEFAHR!

- ▶ Demontieren Sie niemals das Schneidmesser **4** und greifen Sie auch niemals in den Mixaufsatz **3**. Das Schneidmesser **4** ist extrem scharf!

ACHTUNG! SACHSCHADEN!

- ▶ Verwenden Sie keine Lösungs- oder Scheuermittel für die Kunststoffflächen, diese können andernfalls beschädigt werden.

Mixaufsatz reinigen

- Reinigen Sie den Mixaufsatz **3** nur mit einer langstieligen Spülbürste, so dass Sie sich nicht am Schneidmesser **4** verletzen können.
- Reinigen Sie die Dosierkappe **1** und den Deckel **2** in milder Seifenlauge. Achten Sie darauf, dass die Gummidichtung **3** richtig sitzt, bevor Sie den Deckel **2** erneut verwenden.

HINWEIS



Sie können den Deckel **2**, die Dosierkappe **1** und den Mixaufsatz **3** mit dem Schneidmesser **4** auch in der Spülmaschine reinigen.

- Wenn Sie direkt nach der Benutzung den Standmixer reinigen, erzielen Sie eine in den meisten Fällen ausreichende hygienische Reinigung durch folgende Alternative:
Füllen Sie den Mixaufsatz **3** mit 750 ml Wasser und geben Sie einige Tropfen eines milden Spülmittels dazu. Schließen Sie den Deckel **2** und setzen Sie den Mixaufsatz **3** auf den Motorblock **6**. Stecken Sie den Netzstecker in die Steckdose und betätigen Sie ein paar Mal den Ice Crush/Clean-Betrieb, so dass das Schneidmesser **4** mit maximaler Drehzahl durch das Wasser pflügt. Spülen Sie danach den Mixaufsatz **3** mit viel klarem Wasser aus, so dass alle Spülmittelreste beseitigt sind.

- Um hartnäckige Verschmutzungen besser entfernen zu können, können Sie den unteren Plastikteil des Mixaufsatzes ③ mit dem Schneidmesser ④ vom oberen Plastikteil des Mixaufsatzes ③ lösen:

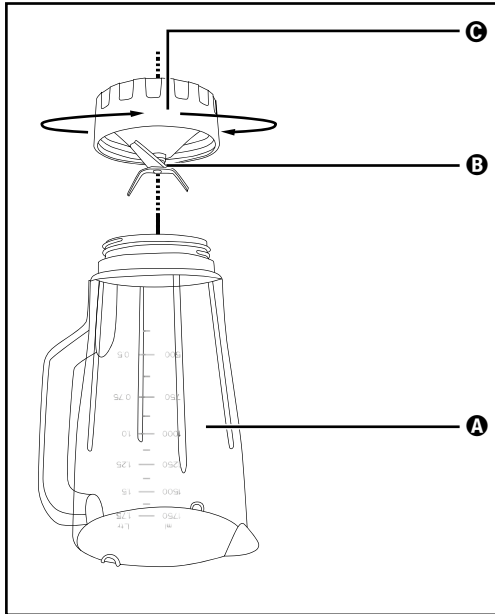



Abb. 3

- Ⓐ oberer Plastikteil
- Ⓑ Messer
- Ⓒ unterer Plastikteil

- 1) Nehmen Sie den Mixaufsatz ③ vom Motorblock ⑥. Entfernen Sie für eine bessere Standfestigkeit den Deckel ②, indem Sie ihn so weit gegen den Uhrzeigersinn Richtung Position  drehen (siehe Abb. 1), bis Sie ihn nach oben abziehen können.
- 2) Stellen Sie das Gerät auf den Kopf und drehen Sie das untere Plastikteil ③ des Mixaufsatzes ③ gegen den Uhrzeigersinn, so dass es sich vom oberen Plastikteil ③ des Mixaufsatzes ③ lösen lässt (siehe Abb. 3).

⚠️ WARNUNG! VERLETZUNGSGEFAHR!

- ▶ Gehen Sie vorsichtig mit den Messern ④ um. Sie sind sehr scharf. Verletzungsgefahr!

- 3) Reinigen Sie beide Teile gründlich in milder Seifenlauge.

HINWEIS



Sie können den oberen Plastikteil **A** des Mixaufsatzes **3** und das Schneidmesser **4** mit dem unteren Plastikteil **C** auch in der Spülmaschine reinigen.

- 4) Trocknen Sie alle Teile gründlich ab, bevor Sie sie wieder zusammenbauen.
- 5) Setzen Sie das untere Plastikteil **C** des Mixaufsatzes **3** wieder auf den oberen Plastikteil **A** des Mixaufsatzes **3** und drehen Sie es im Uhrzeigersinn fest.

Motorblock reinigen

- 1) Verwenden Sie ein trockenes oder höchstens leicht angefeuchtetes Tuch, um die Oberflächen zu reinigen.
- 2) Kontrollieren Sie bei jeder Reinigung, dass der Kontaktschalter in der Aufnahme für den Mixaufsatz **3** nicht durch Schmutzreste blockiert ist. Wenn Sie eventuelle Blockierungen nicht mit der Ecke von einem Blatt Papier lösen können, wenden Sie sich an den Kundendienst. Verwenden Sie auf keinen Fall einen harten Gegenstand, der Kontaktschalter könnte dadurch beschädigt werden.
- 3) Entfernen Sie eventuelle Verschmutzungen an der Unterseite des Motorblocks **6** ausschließlich mit einem trockenen Tuch oder einem Staubpinsel. Achten Sie darauf, dass nichts durch die Lüftungsöffnungen in das Gerät gelangt.

Nach dem Reinigen

Lassen Sie alle Teile gut trocknen, bevor Sie den Standmixer wieder zusammensetzen und verwenden.

Aufbewahren

- 1) Wenn Sie den Standmixer längere Zeit nicht verwenden, reinigen Sie ihn gründlich (siehe Kapitel „Reinigen“).
- 2) Wickeln Sie das Netzkabel um die Kabelaufwicklung **7** am Boden des Motorblocks **6**.
- 3) Bewahren Sie den Standmixer an einem kühlen, trockenen Ort auf.

Entsorgung

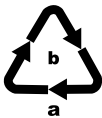


Werfen Sie das Gerät keinesfalls in den normalen Hausmüll. Dieses Produkt unterliegt der europäischen Richtlinie 2012/19/EU.

Entsorgen Sie das Gerät über einen zugelassenen Entsorgungsbetrieb oder über Ihre kommunale Entsorgungseinrichtung. Beachten Sie die aktuell geltenden Vorschriften. Setzen Sie sich im Zweifelsfall mit Ihrer Entsorgungseinrichtung in Verbindung.



Möglichkeiten zur Entsorgung des ausgedienten Produkts erfahren Sie bei Ihrer Gemeinde- oder Stadtverwaltung.



Beachten Sie die Kennzeichnung auf den verschiedenen Materialien und trennen Sie diese gegebenenfalls gesondert. Die Materialien sind gekennzeichnet mit Abkürzungen (a) und Ziffern (b) mit folgender Bedeutung:

1-7: Kunststoffe,
20-22: Papier und Pappe,
80-98: Verbundstoffe.



Die Verpackung besteht aus umweltfreundlichen Materialien, die Sie über die örtlichen Recyclingstellen entsorgen können.

Garantie der Kompernaß Handels GmbH

Sehr geehrte Kundin, sehr geehrter Kunde,

Sie erhalten auf dieses Gerät 3 Jahre Garantie ab Kaufdatum. Im Falle von Mängeln dieses Produkts stehen Ihnen gegen den Verkäufer des Produkts gesetzliche Rechte zu. Diese gesetzlichen Rechte werden durch unsere im Folgenden dargestellte Garantie nicht eingeschränkt.

Garantiebedingungen

Die Garantiefrist beginnt mit dem Kaufdatum. Bitte bewahren Sie den Original-Kassenbon gut auf. Diese Unterlage wird als Nachweis für den Kauf benötigt.

Tritt innerhalb von drei Jahren ab dem Kaufdatum dieses Produkts ein Material- oder Fabrikationsfehler auf, wird das Produkt von uns – nach unserer Wahl – für Sie kostenlos repariert oder ersetzt. Diese Garantieleistung setzt voraus, dass innerhalb der Drei-Jahres-Frist das defekte Gerät und der Kaufbeleg (Kassenbon) vorgelegt und schriftlich kurz beschrieben wird, worin der Mangel besteht und wann er aufgetreten ist.

Wenn der Defekt von unserer Garantie gedeckt ist, erhalten Sie das reparierte oder ein neues Produkt zurück. Mit Reparatur oder Austausch des Produkts beginnt kein neuer Garantiezeitraum.

Garantiezeit und gesetzliche Mängelansprüche

Die Garantiezeit wird durch die Gewährleistung nicht verlängert. Dies gilt auch für ersetzte und reparierte Teile. Eventuell schon beim Kauf vorhandene Schäden und Mängel müssen sofort nach dem Auspacken gemeldet werden. Nach Ablauf der Garantiezeit anfallende Reparaturen sind kostenpflichtig.

Garantieumfang

Das Gerät wurde nach strengen Qualitätsrichtlinien sorgfältig produziert und vor Auslieferung gewissenhaft geprüft.

Die Garantieleistung gilt für Material- oder Fabrikationsfehler. Diese Garantie erstreckt sich nicht auf Produktteile, die normaler Abnutzung ausgesetzt sind und daher als Verschleißteile angesehen werden können oder für Beschädigungen an zerbrechlichen Teilen, z. B. Schalter, Akkus, Backformen oder Teile, die aus Glas gefertigt sind.

Diese Garantie verfällt, wenn das Produkt beschädigt, nicht sachgemäß benutzt oder gewartet wurde. Für eine sachgemäße Benutzung des Produkts sind alle in der Bedienungsanleitung aufgeführten Anweisungen genau einzuhalten. Verwendungszwecke und Handlungen, von denen in der Bedienungsanleitung abgeraten oder vor denen gewarnt wird, sind unbedingt zu vermeiden.

Das Produkt ist nur für den privaten und nicht für den gewerblichen Gebrauch bestimmt. Bei missbräuchlicher und unsachgemäßer Behandlung, Gewaltanwendung und bei Eingriffen, die nicht von unserer autorisierten Service-Niederlassung vorgenommen wurden, erlischt die Garantie.

Abwicklung im Garantiefall

Um eine schnelle Bearbeitung Ihres Anliegens zu gewährleisten, folgen Sie bitte den folgenden Hinweisen:

- Bitte halten Sie für alle Anfragen den Kassenbon und die Artikelnummer (z. B. IAN 12345) als Nachweis für den Kauf bereit.
- Die Artikelnummer entnehmen Sie bitte dem Typenschild, einer Gravur, auf dem Titelblatt Ihrer Anleitung (unten links) oder als Aufkleber auf der Rück- oder Unterseite.
- Sollten Funktionsfehler oder sonstige Mängel auftreten, kontaktieren Sie zunächst die nachfolgend benannte Serviceabteilung **telefonisch** oder per **E-Mail**.
- Ein als defekt erfasstes Produkt können Sie dann unter Beifügung des Kaufbelegs (Kassenbon) und der Angabe, worin der Mangel besteht und wann er aufgetreten ist, für Sie portofrei an die Ihnen mitgeteilte Serviceanschrift übersenden.



Auf www.lidl-service.com können Sie diese und viele weitere Handbücher, Produktvideos und Software herunterladen.

Service

DE Service Deutschland

Tel.: 0800 5435 111 (Kostenfrei aus dem dt. Festnetz/Mobilfunknetz)
E-Mail: kompernass@lidl.de

AT Service Österreich

Tel.: 0820 201 222 (0,15 EUR/Min.)
E-Mail: kompernass@lidl.at

CH Service Schweiz

Tel.: 0842 665566 (0,08 CHF/Min., Mobilfunk max. 0,40 CHF/Min.)
E-Mail: kompernass@lidl.ch

IAN 315040

Importeur

Bitte beachten Sie, dass die folgende Anschrift keine Serviceanschrift ist.
Kontaktieren Sie zunächst die benannte Servicestelle.

KOMPERNASS HANDELS GMBH
BURGSTRASSE 21
DE-44867 BOCHUM
DEUTSCHLAND
www.kompernass.com

KOMPERNASS HANDELS GMBH

BURGSTRASSE 21

DE - 44867 BOCHUM

GERMANY

www.kompernass.com

Last Information Update · Έκδοση των πληροφοριών · Stand der Informationen:
12/2018 · Ident.-No.: SSM600B3-122018-2

IAN 315040